



4-in-1 GRILL/GRIDDLE PARRILLA/PLANCHA 4 en 1

Model Number/Número de modelo: 169148

UPC Number/Número de UPC: 681131691482

Customer Assistance/Servicio al cliente

1 877 207 0923 (US)

1 877 556 0973 (Canada)



Thank you for purchasing your 4-in-1 Grill/Griddle.

In keeping with GE ecomagination traditions, please recycle the packaging material, and donate any unused appliances to the less fortunate.

Gracias por comprar un aparato Parrilla/Plancha 4 en 1.

Para mantenerse dentro de la iniciativa de ecoimaginación de GE, considere por favor la opción de reciclar el material del empaque y donar los aparatos que ya no usa.

To read more about GE's ecomagination commitment visit:
Para leer más sobre el compromiso de ecoimaginación de GE, visite:
ge.ecomagination.com

IMPORTANT SAFEGUARDS

- READ ALL INSTRUCTIONS.
- Do not touch hot surfaces; use handles or knobs.
- To protect against fire, electric shock, and injury to persons, DO NOT IMMERSE CORD, PLUG, OR UNIT in water or other liquids.
- Close supervision is necessary when any appliance is used by or near children.
- Unplug from outlet when not in use and before cleaning. Allow to cool before putting on or taking off parts, and before cleaning appliance.
- Do not operate appliance with a damaged cord or plug, or after the appliance malfunctions or has been dropped or damaged in any manner. Call our toll-free customer assistance number for information on examination, repair, or adjustment.
- The use of accessory attachments not recommended and may result in fire, electrical shock, or risk of injury to persons.
- Do not use outdoors.
- Do not place on or near hot gas or electric burner, or in a heated oven.
- Unplug the unit when finished using.
- Do not use appliance for anything other than its intended use.
- Extreme caution must be exercised when moving an appliance containing hot oil or other hot liquids.
- To disconnect, turn control to OFF setting then remove the plug from wall outlet.

SAVE THESE INSTRUCTIONS!

This appliance is for **HOUSEHOLD USE ONLY**. It may be plugged into an AC electrical outlet (ordinary household current). Do not use any other electrical outlet.

DO NOT OPERATE APPLIANCE IF THE LINE CORD SHOWS ANY DAMAGE, OR IF APPLIANCE WORKS INTERMITTENTLY OR STOPS WORKING ENTIRELY.

EXTENSION CORDS

A short power-supply cord (or detachable power-supply cord) is provided to reduce the risk resulting from becoming entangled in or tripping over a longer cord. Longer detachable power-supply cords or extension cords are available and may be used if care is exercised in their use. If a longer detachable power-supply cord or extension cord is used,

- 1) The marked electrical rating of the cord set or extension cord should be at least as great as the electrical rating of the appliance, and
- 2) The cord should be arranged so that it will not drape over the countertop or tabletop where it can be pulled on by children or tripped over unintentionally.

NOTE ON THE PLUG

The appliance requires a three-prong plug that has a ground pin. This pin grounds the appliance to protect from the danger of electrical shock hazards. This pin should never be snipped off to fit into a two-prong outlet. Altering the plug can cause damage to the appliance, the outlet and increases the risk of fire or electrical shock. These plugs require a grounded wall outlet.

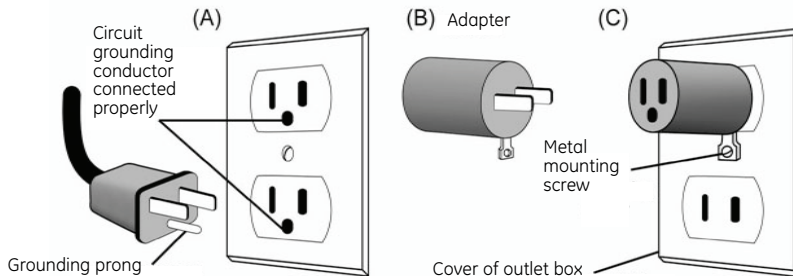
GROUNDING INSTRUCTIONS

This appliance must be grounded while in use.

CAUTION: To ensure continued protection against risk of electric shock, connect to properly ground outlets only.

GROUNDING INSTRUCTIONS – US ONLY

The appliance has a plug that looks like Figure A. An adaptor, as shown in Figure B, should be used for connecting a 3-prong grounding plug to a 2-wire receptacle. The grounding tab, which extends from the adaptor, must be connected to a permanent ground such as a properly grounded receptacle as shown in Figure C, using a metal screw.



INTRODUCTION

The 4-in-1 Grill/Griddle can be used as a Panini press, contact grill, and opened surface grill or griddle. This product is designed for easy cleaning; the plates are dishwasher safe, drip pans are included, as well as a scraping tool for minimum cleaning effort.

BEFORE USING YOUR 4-IN-1 GRILL/GRIDDLE

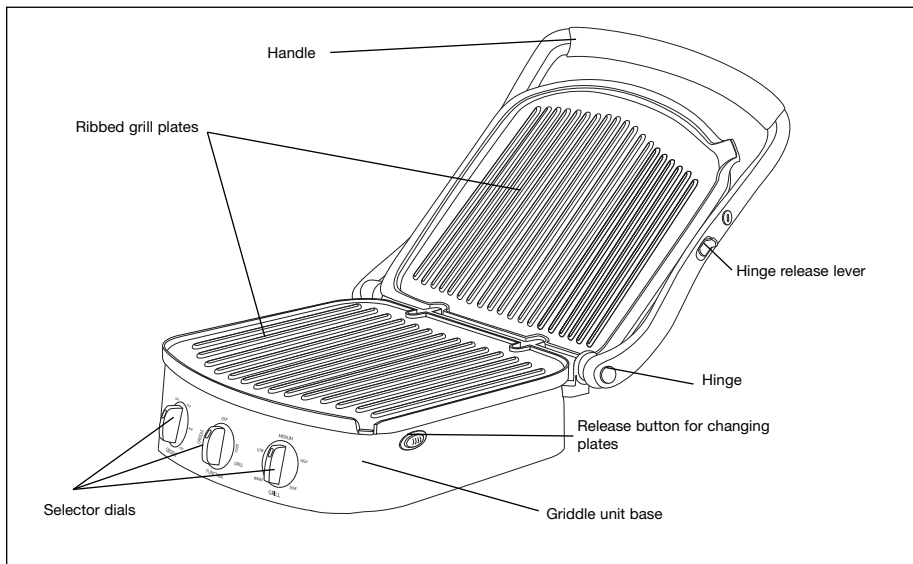
Be sure that all packaging material (such as any labels or stickers) have been removed from the 4-in-1 Grill/Griddle before cleaning or usage. Check to make sure that you have removed all of the parts of your 4-in-1 Grill/Griddle before you throw away the packaging. Please note that the shipping process may have left dust on your 4-in-1 Grill/Griddle, be sure to clean off all dust with a damp cloth. Clean the cooking plates, drip pans and scraping tool as well.

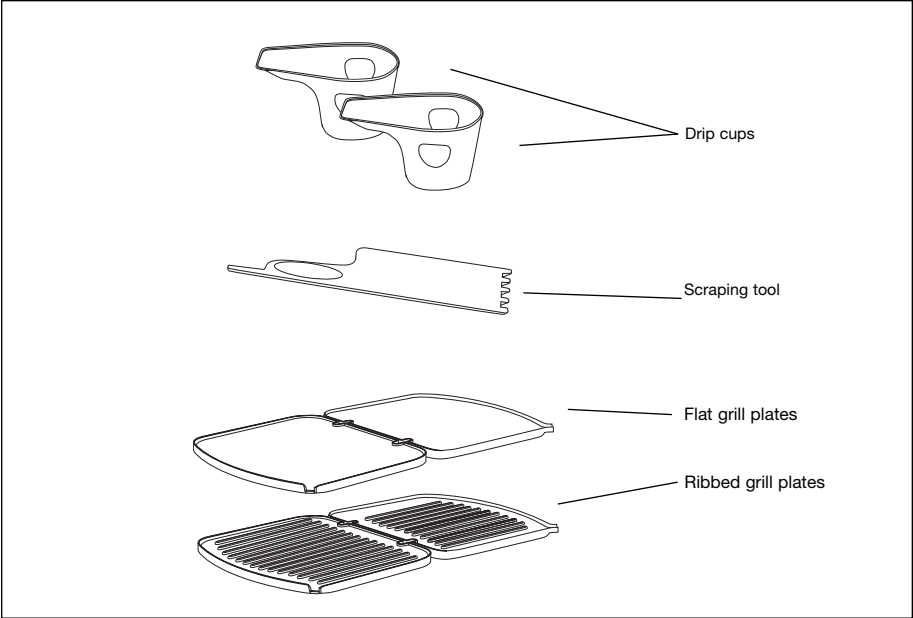
KNOW YOUR 4-IN-1 GRILL/GRIDDLE

The Base and Cover of the 4-in-1 Grill/Griddle are made of stainless steel and includes a self-adjusting cover. The panini-style handle is a sturdy cast metal that helps to adjust the cover for grilling different thicknesses of foods.

The grill plates are great for grilling meats and patties, as well as vegetables. The griddle plates are perfect to prepare fluffy pancakes, crispy bacon or to sear fish and seafood. The removable cooking plates are nonstick and dishwasher safe, making clean up easy. The plate release allows you to remove the cooking plates. The hinge release lets the cover lie back to cook in the flat position.

The controls on your 4-in-1 Grill/Griddle indicate: "power on" and "ready to cook". The Grill/Panini function has a grilling range from "warm to sear", and the Griddle function has a temperature range from 200°F to 450°F. The drip cups that come with your 4-in-1 Grill/Griddle collect grease and are dishwasher safe. The scraping tool will help with clean up after cooking.



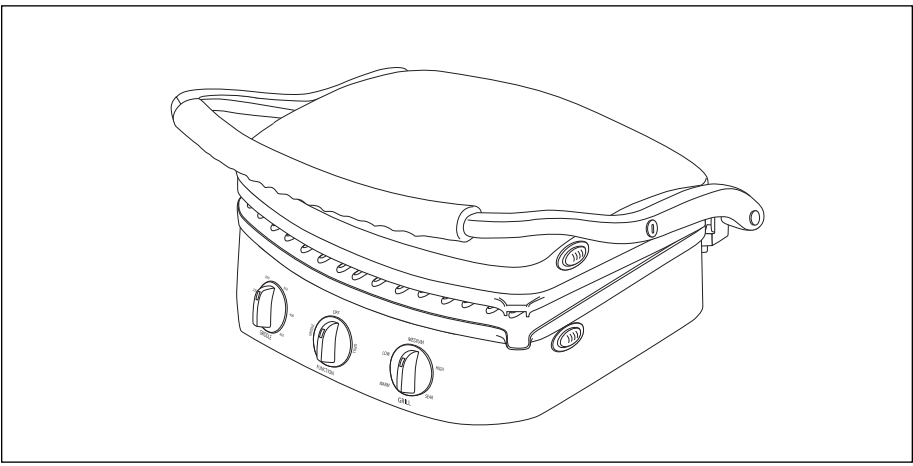


USING YOUR 4-IN-1 GRILL/GRIDDLE

It is important to place your 4-in-1 Grill/Griddle on a clean and flat surface when using it in any of the three cooking positions.

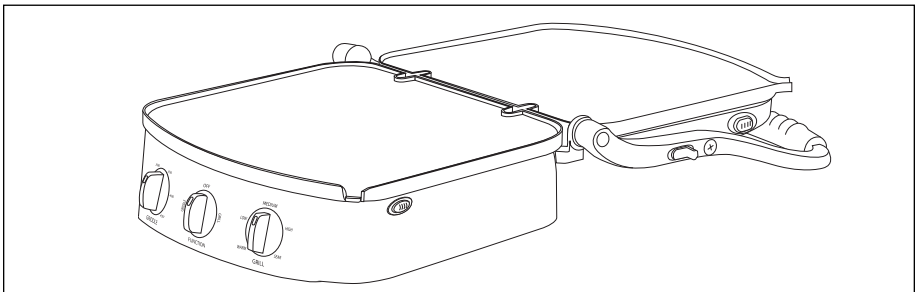
The three cooking positions are as follows:

1. **Panini Press / Contact Grill – The 4-in-1 Grill/Griddle is in the Closed Position :** the upper plate/cover rests flat on the lower plate/base. This is your starting and heating position when using as a contact grill or panini press.

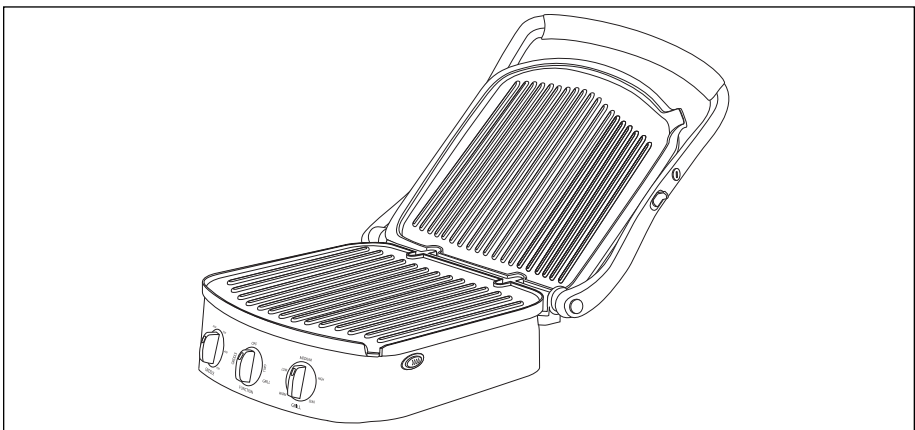


2. **Open Grill or Griddle to Flat Position:** This is when the upper and lower plates are even with each other, lining up to create one large cooking surface. The 4-in-1 Grill/Griddle stays in this position when used as an open grill or griddle. To place the 4-in-1 Grill/Griddle to this position, locate the hinge release lever on the right arm. Use your right hand to slide the lever towards you to unlock position while firmly holding the handle with your left hand. Push the handle back until the cover rests flat on the counter. To reset the 4-in-1 Grill/Griddle into its closed position, lift the cover off the table while sliding the hinge release lever to the unlock position and close the cover. If the 4-in-1 Grill/Griddle is already in the open position and you wish to place it into the flat position, lift the handle slightly while sliding the hinge release lever to the unlock position. Push the handle back until the cover rests in the flat position.

NOTE: Moving the handle slightly while sliding the hinge release lever will help to adjust the 4-in-1 Grill/Griddle cover.

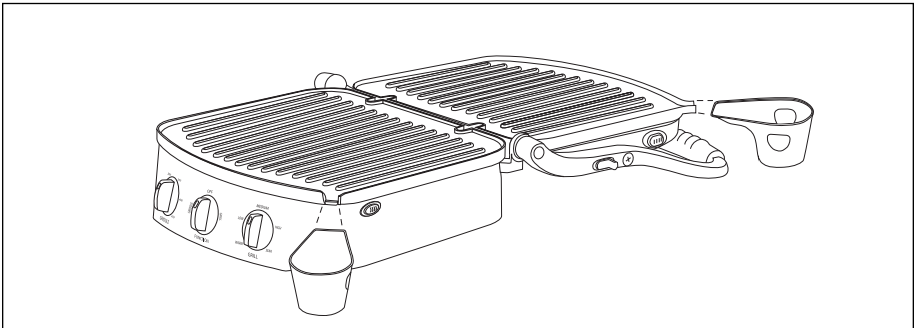
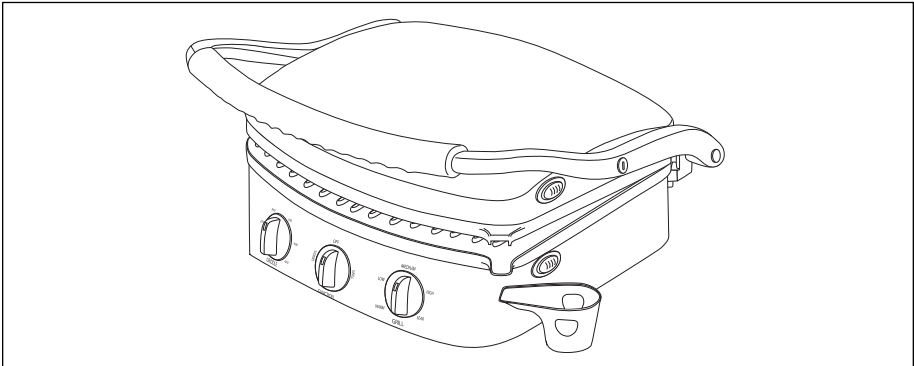


3. **Panini Press/Contact Grill - Open Position:** When the upper plate/cover is open, food can be added and removed. To set the 4-in-1 Grill/Griddle to this position, simply lift the upper plate/cover by the handle until you feel it come to a locked position. The cover will stay in the upright position until you lower the handle for cooking. When the handle is lowered while the hinge release lever is in the unlocked position, the upper cover will release and pivot to lie flat on top of the food. This allows you to cook your food evenly from both top and bottom. When you lift the handle to open the 4-in-1 Grill/Griddle after cooking, the cover will remain in the horizontal position, parallel to the lower base. In order to lock the cover back into the upright position, you must close the 4-in-1 Grill/Griddle completely (without any food in place).



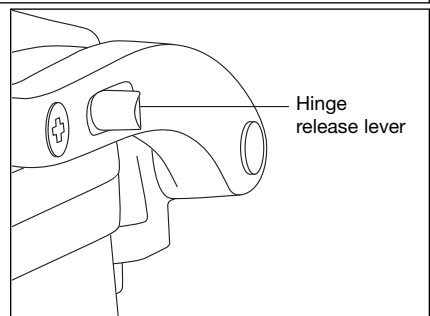
4. Placement Drip Cups:

You only require one drip cup if you want use the 4-in-1 Grill/Griddle as a contact grill or panini press. Rest the cup underneath the grease spout during the cooking procedure. Food grease will run off the plates through the grease spout and flow into the drip cup. Make sure to safety dispose of leftover grease of after cooking. Also, note that the drip cups are dishwasher safe. You must use both drip cups if you want to use the appliance as an open grill or griddle. In this condition, make sure to put the drip cups at either end of the unit directly underneath the outflow spouts.



5. Cooking Plate Insertion:

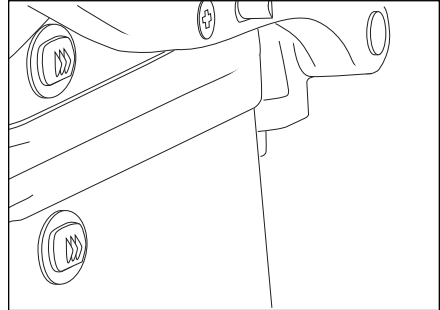
Put the Grill Griddle into the Flat Position (see diagram) making sure the controls are facing front. Insert the plates one at a time. Please note that each plate precisely fits the cover or the base of the 4-in-1 Grill/Griddle, and are differentiated by the words "lower" or "upper" stamped on each plate. Grab the lower plate, making sure the cutouts for the heating element are facing downward. Please note, the drip spout should be on the front right-hand corner of the plate if you are facing the 4-in-1 Grill/Griddle. Find the metal brackets at the center of the housing unit and angle the back end of the plates so they are parallel with the cutouts on the back of the plates. Then slip the plate underneath the brackets and push down on the front end of the plate until it snaps into place.



Turn the 4-in-1 Grill/Griddle to the opposite side and put in the matching grill or griddle plate into the upper housing unit repeating the same process as with the plate.

6. Cooking plates removal:

Put the 4-in-1 Grill/Griddle into the Flat Position (see instruction #2). Find the plate release buttons located on the side of the appliance. To eject the plate from the base, press firmly on the buttons. Then grab the plate with both hands and remove it from under the metal brackets lifting it out of the base. Use the same procedure to remove the second cooking plate by pressing on the other plate release button.



HOW TO USE YOUR 4-IN-1 GRILL/GRIDDLE

1. After you have correctly assembled the 4-in-1 Grill/Griddle and you are ready to start cooking. Use the selector on the left side for the griddle function, or on the right for the grill/panini function to select the desired temperature. A blue indicator light illuminates to indicate that the power is on when the knob is turned to either function.
2. Make sure to turn the Grill control to the preferred setting for cooking if you want to use the 4-in-1 Grill/Griddle as a contact grill, panini press or open grill. The settings range from warm (150°F) - sear (450°F).
Make sure you turn the Griddle control to the preferred temperature when using the 4-in-1 Grill/Griddle as a Griddle. The appliance temperature settings range from 200°F - 450°F.
3. You can choose to use the bottom plate only if you want to use the 4-in-1 Grill/Griddle as a grill or griddle. The appliance can take as much as 10 minutes to reach its operating temperature, depending on the temperature level you choose. A green indicator light illuminates when the 4-in-1 Grill/Griddle is ready for cooking. The light goes on and off during operation as the appliance temperature is regulated by a thermostat. This condition is normal.
4. The temperature controls, sets, and sustains the cooking surface temperature. You can change the setting at any time during the cooking process depending on the type of food being cooked.
5. Use caution when handling the 4-in-1 Grill/Griddle during cooking as the appliance gets very hot during use. Grab the black plastic area of the handle to open the 4-in-1 Grill/Griddle as this part of the handle stays cool during cooking.
Do not touch the arms during or immediately after cooking as they may be very hot!

CAUTION: The cover gets very hot and should not be touched during or immediately after cooking. Use oven mitts if you need to adjust the cover during the cooking procedure. The lower housing unit is made of plastic, and also gets very warm during cooking. Allow 30 minutes to pass before you handle the 4-in-1 Grill/Griddle.

NOTE: The 4-in-1 Grill/Griddle may emit a slight odor or give off smoke during first use. This is a normal by product of appliances with nonstick surfaces. The 4-in-1 Grill/Griddle is equipped with a cleaning and scraping tool that can be used to clean the grill and griddle plates after you have finished using it. Using the cleaning tool on hot surfaces will melt the plastic tools.

MAINTENANCE

1. Scrape excess food buildup through the grease channel and drip cups between uses. Then wipe off any residue with a paper towel before proceeding with next usage.
2. Never use metal utensils as they will scratch the nonstick grill plate. Use only wooden or heat proof plastic utensils, and never leave plastic utensils (this includes the provided cleaning tool) in contact with the hot grill plate.

CLEANING

CAUTION: MAKE SURE THE APPLIANCE IS TURNED OFF, POWER CORD IS UNPLUGGED FROM THE WALL OUTLET AND HAS COMPLETELY COOLED BEFORE CLEANING.

1. Allow 30 minutes to pass and then remove the plates from the appliance by pressing the plate release buttons. You can wash the cooking plates in the dishwasher, however, do not use metallic objects such as knives, forks or scouring pads to clean the plates as you will damage the nonstick coating.
2. Use the provided cleaning and scraping tool to remove unwanted materials from the cooking plate. You can wash the scraping tool and the drip cups either by hand or in the dishwasher. Also, dispose of grease from the drip cups. Make sure to safely dispose of grease from the drip cups before you clean them.
3. It is recommended that you use lemon juice to clean the plates if you have been cooking seafood in order to prevent flavors from getting passed on to the next recipe.
4. Use a clean, soft, dry cloth to wipe the appliance and control knobs. Use a damp cloth for tougher stains. Never use abrasive cleaners or coarse cleaning pads.

STORAGE

After properly cleaning the unit, make sure the 4-in-1 Grill/Griddle is in a cool and dry condition. Keep the cooking plates in the 4-in-1 Grill/Griddle when not in use. Also, you can keep the unused set of cooking plates, drip cups, and scraping tool in a drawer or cabinet when not in use. Wrap the power cord to the back of the base for easy storage.

CUSTOMER ASSISTANCE

If you have a claim under this warranty, please call our Customer Assistance Number. For faster service, please have the model number and product name ready for the operator to assist you. This number can be found on the bottom of your appliance and on the front page of this manual.

Model Number: _____ **Product Name:** _____

Customer Assistance Number 1.877.207.0923 (US) or 1.877.556.0973 (Canada)

Keep these numbers for future reference!

For more information, please visit us at www.gehousewares.com

TWO-YEAR LIMITED WARRANTY

What does your warranty cover?

- Any defect in material or workmanship.

For how long after the original purchase?

- Two years.

What will we do?

- Provide you with a new one.
- For those items still under warranty but no longer available, WAL-MART reserves the right to replace with a similar GE branded product of equal or greater value.

How do you make a warranty claim?

- Save your receipt.
- Properly pack your unit. We recommend using the original carton and packing materials.
- Return the product to your nearest WAL-MART store or call Customer Assistance at 1-877-207-0923 (U.S.) or 1-877-556-0973 (Canada).

What does your warranty not cover?

- Parts subject to wear, including, without limitation, glass parts, glass containers, cutter/strainer, blades, seals, gaskets, clutches, motor brushes, and/or agitators, etc.
- Commercial use or any other use not found in printed directions.
- Damage from misuse, abuse, or neglect, including failure to clean product regularly in accordance with manufacturer's instructions.

How does state law relate to this warranty?

- This warranty gives you specific legal rights, and you may also have other rights which vary from state to state or province to province.
- This warranty is in lieu of any other warranty or condition, whether express or implied, written or oral, including, without limitation, any statutory warranty or condition of merchantability or fitness for a particular purpose.
- WAL-MART, GE and the product manufacturer expressly disclaim all responsibility for special, incidental and consequential damages or losses caused by use of this appliance. Any liability is expressly limited to an amount equal to the purchase price paid whether a claim, however instituted, is based on contract, indemnity, warranty, tort (including negligence), strict liability, or otherwise. Some states or provinces do not allow this exclusion or limitation of incidental or consequential losses so the foregoing disclaimer may not apply to you.

What if you encounter a problem with this product while using it outside the country of purchase?

- The warranty is valid only in the country of purchase and you follow the warranty claim procedure as noted.



is a trademark of General Electric Company and is used under the license by Wal-Mart Stores Inc., Bentonville, AR 72716

Marketed in Canada by:

Wal-Mart Canada Corp.

1940 Argentia Road, Mississauga, Ontario L5N1P9