

PGB995SETSS

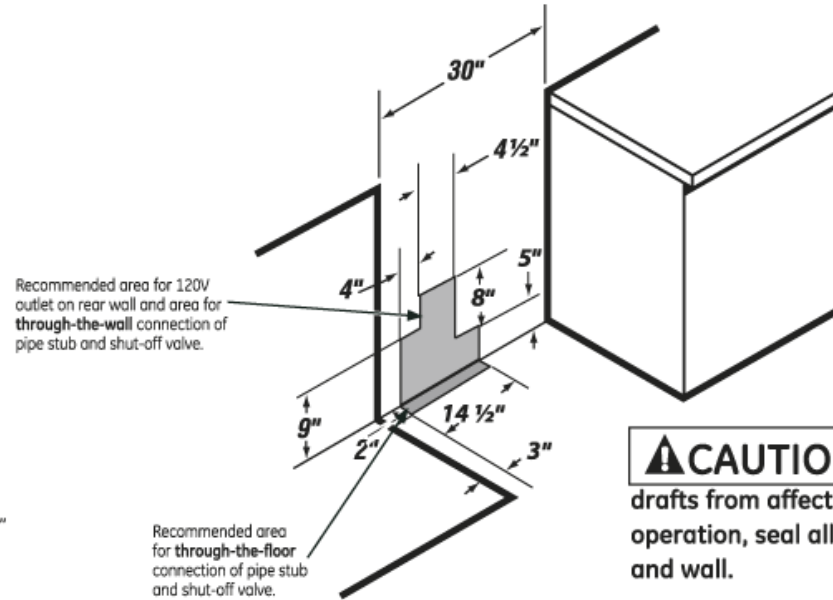
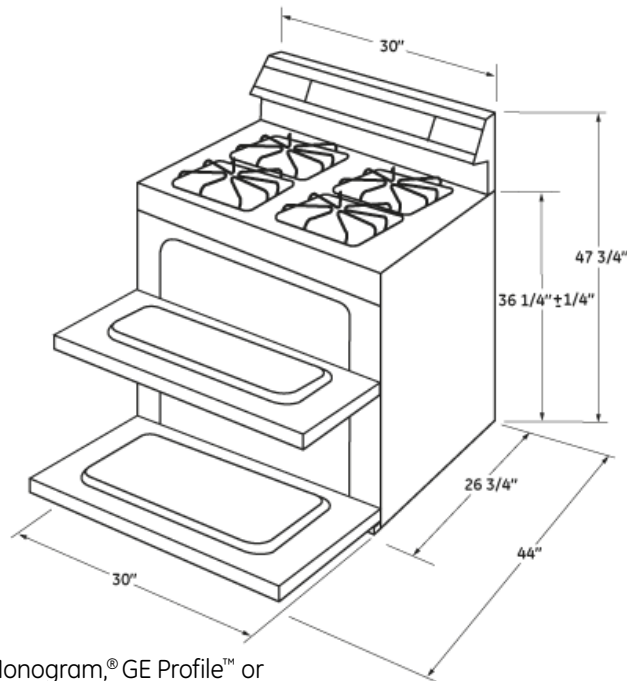
GE Profile™ 30" Free-Standing Gas Double Oven with Convection Range

Dimensions and Installation Information (in inches)

Note: Dimension from the wall to the front of the closed door handle is 29-3/4". Depth to front edge of cooktop 25-1/4".

Electrical Rating: 120V, 60Hz, 15A

Installation Information: Before installing, consult installation instructions packed with product for current dimensional data.



CAUTION To prevent drafts from affecting burner operation, seal all openings in floor and wall.

For answers to your Monogram®, GE Profile™ or GE® appliance questions, visit our website at geappliances.com or call GE Answer Center® service, 800.626.2000.



imagination at work



All GE ranges are equipped with an Anti-Tip device. The installation of this device is an important, required step in the installation of the range.



Specification Revised 6/12

230547

PGB995SETSS

GE Profile™ 30" Free-Standing Gas Double Oven with Convection Range

Features and Benefits

- Double oven 6.7 cu. ft. total capacity - Large capacity is ideal for big meals
- Self-Clean Oven - Conveniently cleans the oven cavity without the need for scrubbing
- Gas Convection Oven - Circulates air throughout the oven cavity ensuring better baking and roasting results
- Reversible cast-iron griddle/grill - Provides the flexibility to sear meats on the grill and cook delicate meals on the griddle
- 17,000 BTU PowerBoil™ burner - Delivers intense heat for rapid boiling
- Model PGB995SETSS - Stainless steel



imagination at work