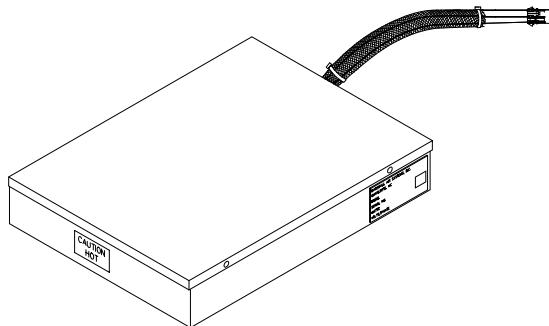
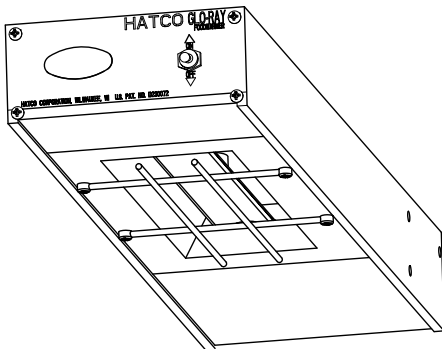
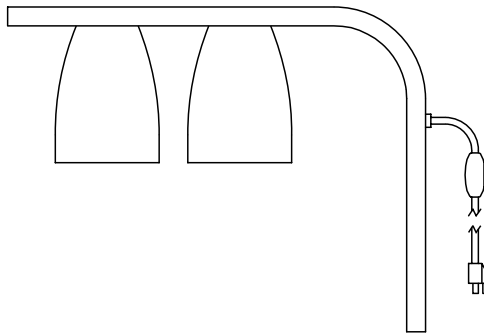
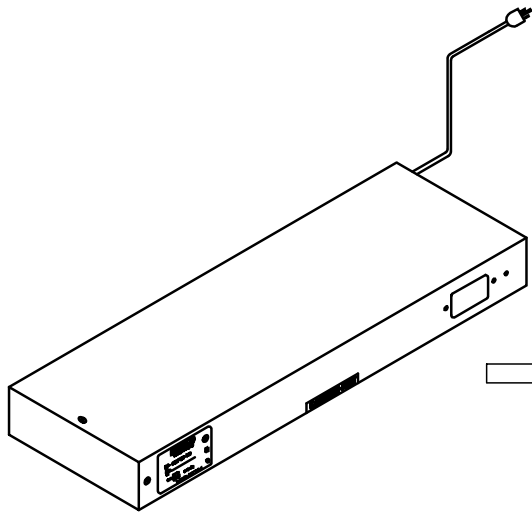


# Food Warmer Parts Manual

FWH-1, FWH-2, Hatco, ThermoGlo



Frymaster, a member of the Commercial Food Equipment Service Association, recommends using CFESA Certified Technicians.

**24-Hour Service  
Hotline 1-800-551-  
8633**

\*8196330\*

**JULY 2007**

**NOTICE**

IF, DURING THE WARRANTY PERIOD, THE CUSTOMER USES A PART FOR THIS ENODIS EQUIPMENT OTHER THAN AN **UNMODIFIED** NEW OR RECYCLED PART PURCHASED DIRECTLY FROM FRYMASTER/DEAN, OR ANY OF ITS AUTHORIZED SERVICE CENTERS, AND/OR THE PART BEING USED IS MODIFIED FROM ITS ORIGINAL CONFIGURATION, THIS WARRANTY WILL BE VOID. FURTHER, FRYMASTER/DEAN AND ITS AFFILIATES WILL NOT BE LIABLE FOR ANY CLAIMS, DAMAGES OR EXPENSES INCURRED BY THE CUSTOMER WHICH ARISE DIRECTLY OR INDIRECTLY, IN WHOLE OR IN PART, DUE TO THE INSTALLATION OF ANY MODIFIED PART AND/OR PART RECEIVED FROM AN UNAUTHORIZED SERVICE CENTER.

** DANGER**

Copper wire suitable for at least 167°F (75°C) must be used for power connections.

** DANGER**

The electrical power supply for this appliance must be the same as indicated on the rating and serial number plate located on the inside of the fryer door.

** DANGER**

This appliance must be connected to the voltage and phase as specified on the rating and serial number plate located on the inside of the fryer door.

** DANGER**

All wiring connections for this appliance must be made in accordance with the wiring diagrams furnished with the equipment. Wiring diagrams are located on the inside of the fryer door.

** DANGER**

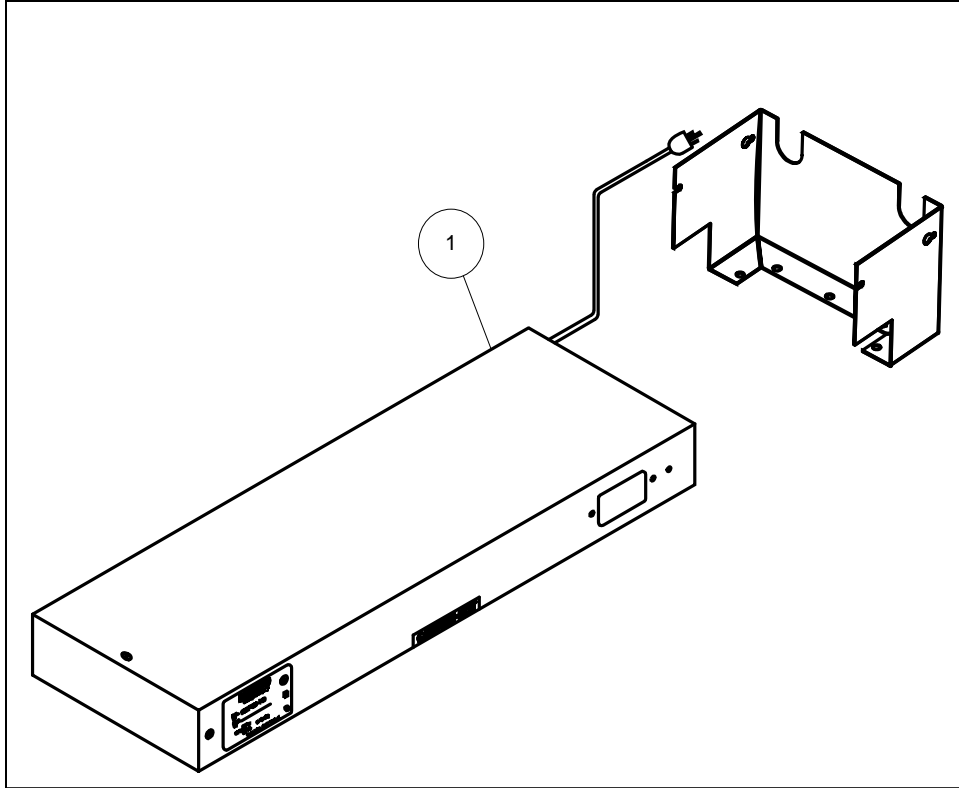
Do not store or use gasoline or other flammable vapors and liquids in the vicinity of this or any other appliance.

** WARNING**

Do not use water jets to clean this equipment.

# Heat Lamps/Food Warmers

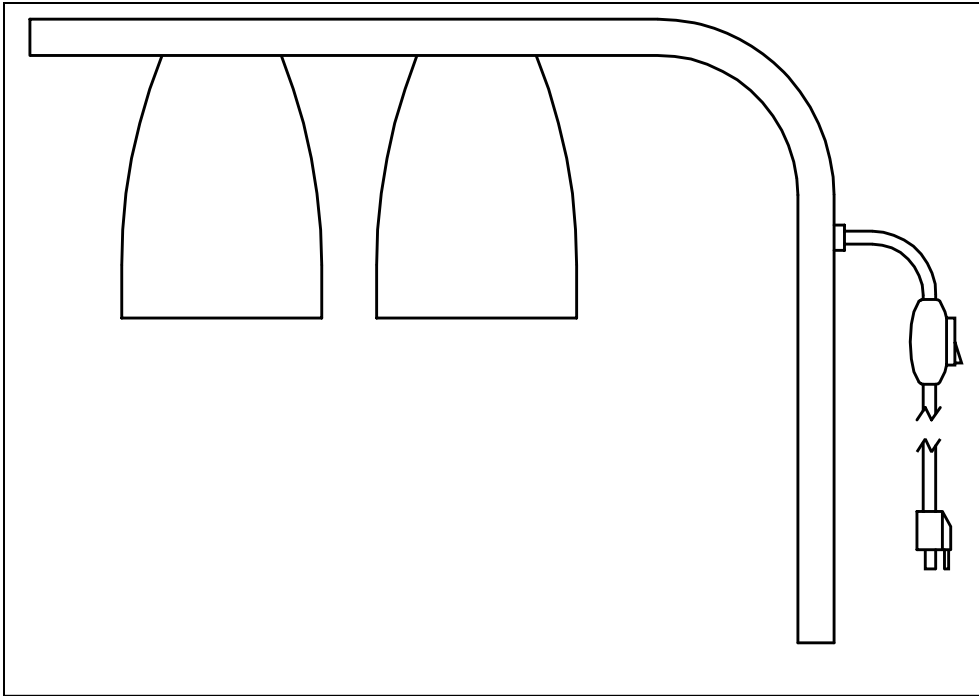
## FWH-1, Merco Rod-Style



Merco Rod-Style Warmer FWH-1		
Item #	Part Number	Description
1	807-4356	Food warmer, 120/60 825W
*	807-4402	Food warmer, 240V
*	807-1413	120V Switch, toggle, ON/OFF
*	807-1414	240V Switch, toggle, ON/OFF
*	807-1416	Power on indicator light, red
*	807-1417	120V cordset, 3 wire
*	807-4358	120V Element (tube) heating, 20 1/4", 825W (screw-in)
*	807-4359	208/240 Element (tube) heating, 20 1/4" 825W (screw-in)
*	810-2389	Holder, Quartz Lamp, (snap-in) Dean
*	807-0746	120V Element (tube) heating, 20 1/4", 825W (snap-in)
*	807-0748	208/240 Element (tube) heating, 20 1/4" 825W (snap-in)
*	807-1415	Socket, heating rod (snap-in)
*	807-3783	Switch, Dean
*	826-0990	Hardware kit

# Heat Lamps/Food Warmers

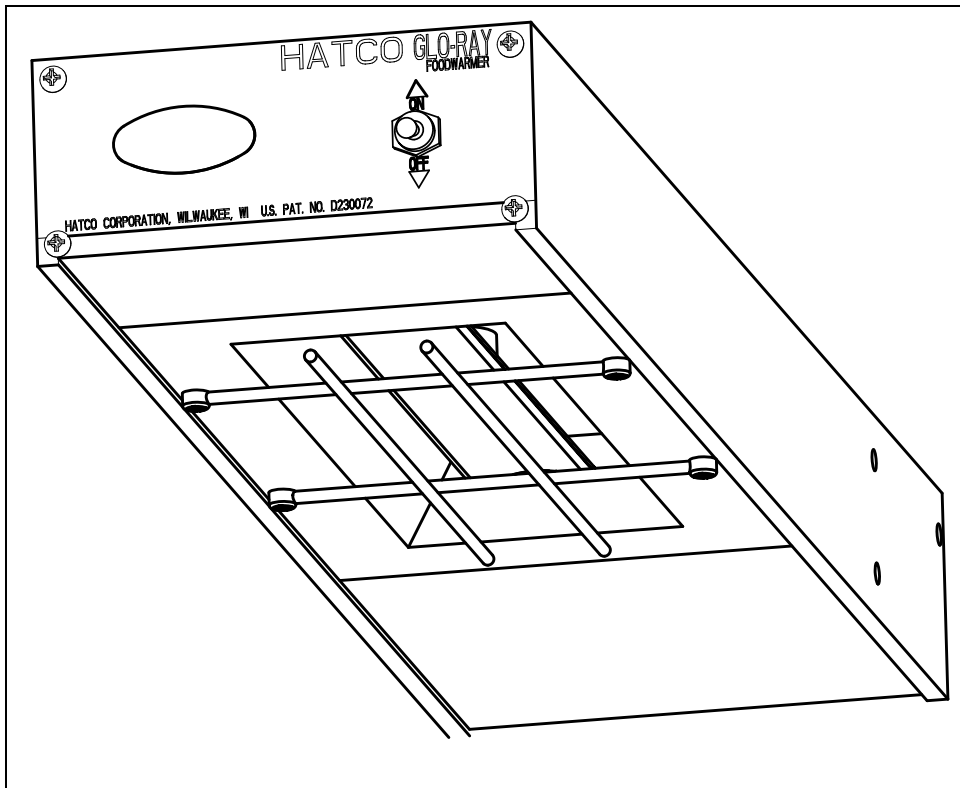
## FWH-2, Bulb Style



<b>Merco Bulb-Style Warmer, FWH-2</b>		
	807-1575	120V Warmer, with support
	807-1576	240V Warmer, with support
	806-5278SP	120V Warmer kit, with mounting hardware
	806-5285SP	240 Warmer Kit, with mounting hardware
	807-3053	Socket, heating bulb, 250W
	807-3963	Socket, heating, bulb, 375W
	807-3049	Bulb, 250W
	807-3961	Bulb, 375W
	807-3962	Bulb, 375W
	826-1064	Hardware kit, (screws for attachment)
	823-1896	Support, lamp, front/rear
	807-3051	Cordset, in-line switch
	826-1374	Screw, #10 (Qty:25)

# Heat Lamps/Food Warmers

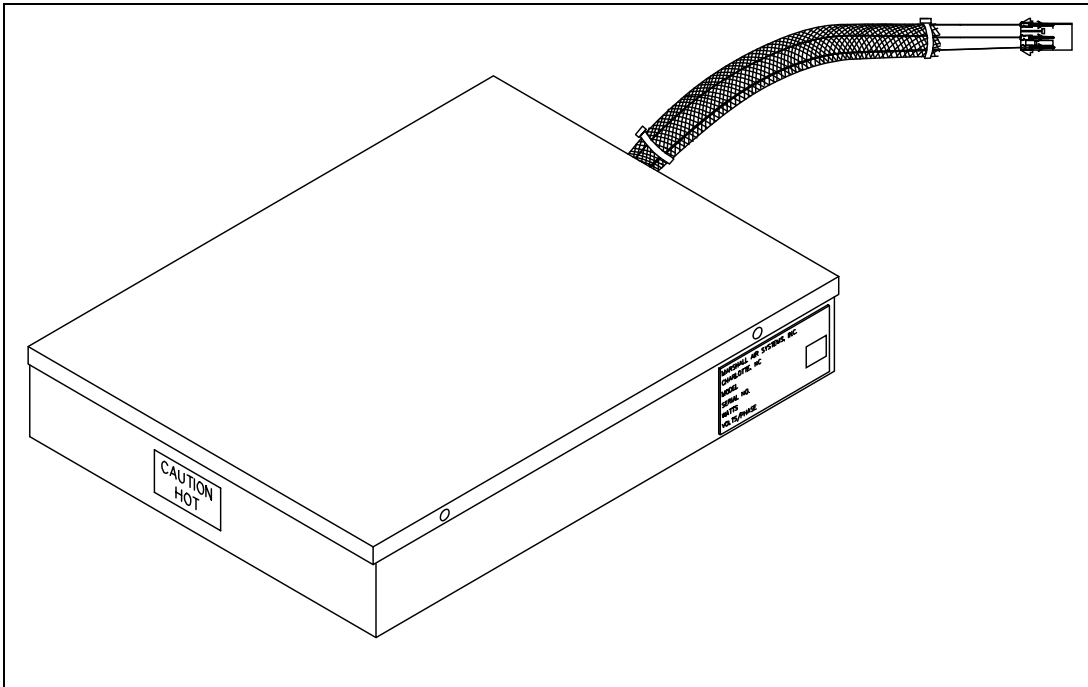
## Hatco Warmers



<b>Hatco Warmers</b>		
	807-3219	240V Warmer assembly
	807-1371	120V Warmer assembly
	807-4695	220/230 CE Warmer assembly
	807-4696	230/240 CE Warmer assembly
<b>Frymaster Replacement Parts</b>		
	910-8627	Housing support
	823-2834	Plate, mount with nut
	826-0990	Mounting kit, hardware
<b>Dean Replacement Parts</b>		
	823-3963	Support weld assembly

# Heat Lamps/Food Warmers

## ThermoGlo Warmers



ThermoGlo Warmers		
	806-8836SP	120V Warmer
	826-1279	120V Warmer kit
	807-3353	240V Warmer
	807-2082	Switch, rocker, power, ON/OFF
	807-1041	Switch, toggle, power, ON/OFF
	806-7732SP	Harness, wire

**THIS PAGE INTENTIONALLY LEFT BLANK.**



**Enodis**<sup>®</sup>  
One Company, Countless Solutions

**Frymaster, L.L.C., 8700 Line Avenue, PO Box 51000, Shreveport, Louisiana 71135-1000**  
**Shipping Address: 8700 Line Avenue, Shreveport, Louisiana 71106**

**TEL 1-318-865-1711**

**FAX (Parts) 1-318-688-2200**

**(Tech Support) 1-318-219-7135**

**PRINTED IN THE UNITED STATES**

**SERVICE HOTLINE**  
**1-800-551-8633**

**819-6330**  
**JULY 07**