

Parts Manual for

SNAPPER®

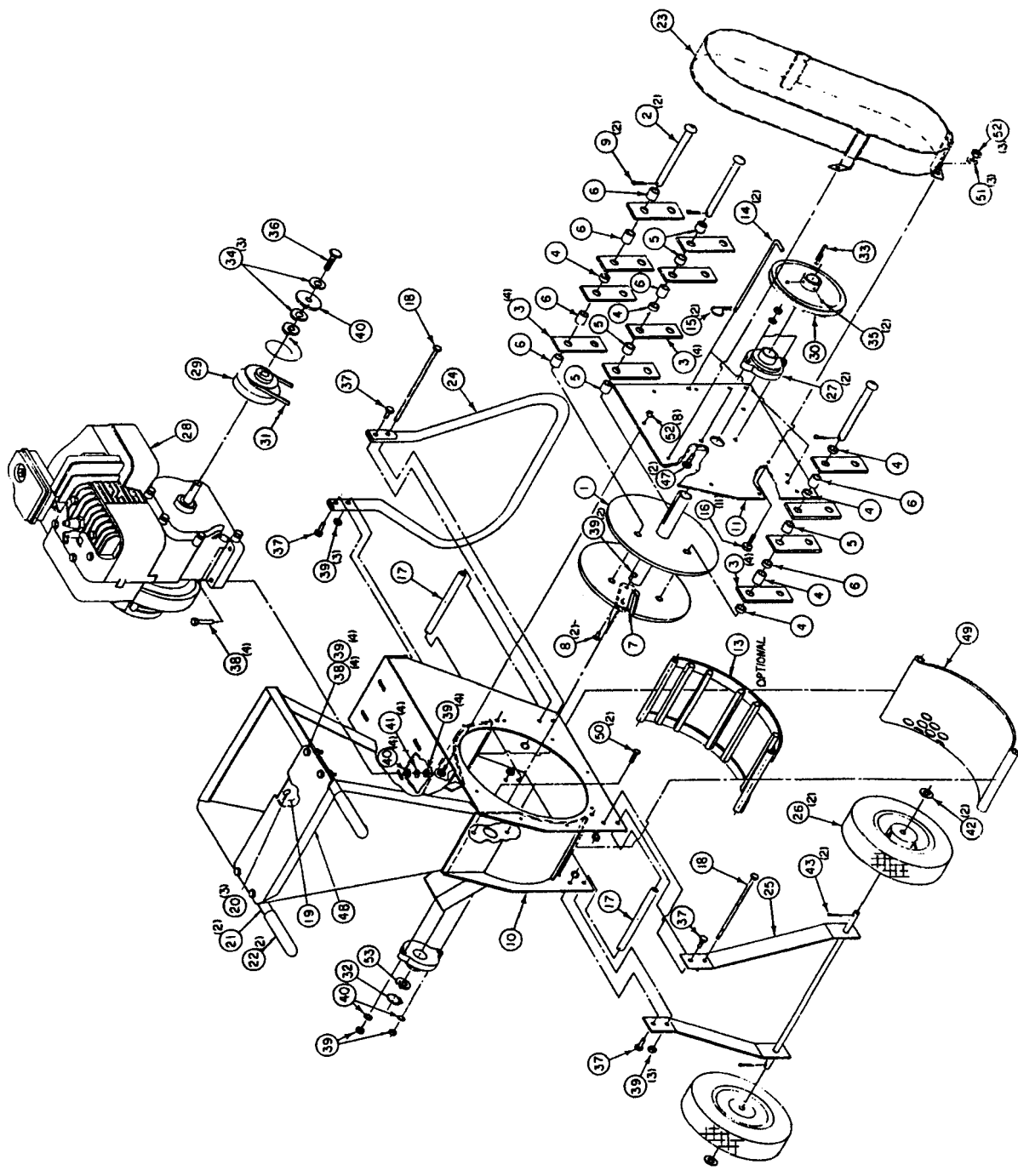
SHREDDER GRINDER CHIPPER
SERIES 0



| |
|--------|
| MODEL |
| SG3000 |

PARTS FOR THIS MACHINE MUST BE ORDERED FROM:
1189 Old Schuylkill Road * P.O. Box 111 * Parker Ford, PA 19457-0111
Phone: (610) 495-7181 or (800) 348-1117, Fax: (610) 495-5951

SNAPPER® McDonough, GA., 30253 U.S.A.



PARTS LIST SG 3000 SHREDDER GRINDER

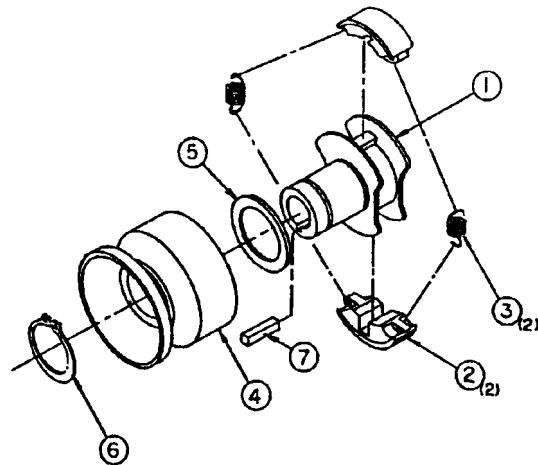
| Item No. | Part No. | Description | Quantity |
|----------|----------|--|----------|
| 1 | 40843 | Rotor Weldment | 1 |
| 2 | 40844 | Hammer Rod | 3 |
| 3 | 40802 | Hammer | 12 |
| 4 | 40805 | Spacer 5/16" LG | 6 |
| 5 | 40804 | Spacer 5/8" LG | 5 |
| 6 | 40803 | Spacer 7/8" LG | 7 |
| 7 | 40847 | Chipper Knife | 1 |
| 8 | 40848 | 5/16-18 x 1" Flat Hd. Socket Cap Screw | 2 |
| 9 | 40849 | 3/16" x 1-1/4" LG Cotter Pin | 3 |
| 10 | 40750 | Main Body Assembly | 1 |
| 11 | 40842 | Cover Plate | 1 |
| 13 | 40845 | Bar Screen | Optional |
| 14 | 40846 | Screen Rod | 2 |
| 15 | 11773 | Hair Cotter 3/32" | 2 |
| 16 | 90072 | 1/4-20 x 5/8" Hex Hd. Cap Screw | 11 |
| 17 | 40833 | Pipe Spacer | 2 |
| 18 | 40850 | 5/16-18 x 7-1/2" LG Hex Hd. Cap Screw | 2 |
| 19 | 40834 | Hopper Flex Guard | 1 |
| 20 | 40801 | Push Type Tie Button | 2 |
| 21 | 40829 | Handle | 2 |
| 22 | 40800 | Handle Grip | 2 |
| 23 | 40798 | Belt Guard | 1 |
| 24 | 40835 | Front Foot | 1 |
| 25 | 40836 | Axle Assembly | 1 |
| 26 | 40830 | 8 x 1.75 Wheel | 2 |
| 27 | 40821 | Bearing | 2 |
| 28 | 40837 | 3 HP Engine | 1 |
| 29 | 40887 | Centrifugal Clutch | 1 |
| 30 | 40831 | Sheave A550 x 1 | 1 |
| 31 | 40838 | V-Belt 4L-390 | 1 |
| 32 | 40851 | Retaining Ring | 1 |
| 33 | 13250 | Shaft Key 1/4" x 1" | 1 |
| 34 | 40898 | 1/4" Split Lockwasher | 3 |
| 35 | 90201 | 5/16-18 x 5/16" Set Screw | 2 |
| 36 | 40899 | 1/4-28 x 3/4" Hex Hd. Cap Screw | 1 |
| 37 | 76934 | 5/16-18 x 3/4" Hex Hd. Cap Screw | 4 |
| 38 | 76935 | 5/16-18 x 1-1/2" Hex Hd. Cap Screw | 8 |
| 39 | 90194 | 5/16-18 Grip-Co Lock Nut | 18 |
| 40 | 90692 | 5/16" Flatwasher | 10 |
| 41 | 90391 | 5/16" Internal Lockwasher | 4 |
| 42 | 90705 | 1/2" Flatwasher | 2 |
| 43 | 90042 | 1/8 x 1-1/4" Cotter Pin | 2 |
| 47 | 90636 | 5/16-18 x 1" Hex Hd. Cap Screw | 2 |
| 48 | 40839 | Hopper Lid | 1 |
| 49 | 40840 | 1" Screen | 1 |
| 50 | 40852 | 5/16-18 x 1" Milled Hd. Cap Screw | 2 |
| 51 | 90598 | 1/4" Flat Washer | 3 |
| 52 | 40853 | 1/4-20 Flex Lock Nuts Cap Pltd. | 11 |
| 53* | 40825 | 1 1/2" O.D. x 1 1/64" I.D. x .050 Thk Shim | 1 |

* A variety of shims with different thicknesses are available.

Parts Manual for

SNAPPER®

SG3000 SHREDDER GRINDER CHIPPER SERIES 0



CLUTCH PARTS LIST, 3/4" BORE - 3 HP & 5 HP ENGINES Complete Part 40887

| Key No. | Part No. | Description | Quantity |
|---------|----------|----------------|----------|
| 1 | 40878 | Hub Assembly | 1 |
| 2 | 40879 | Shoe | 2 |
| 3 | 40880 | Spring | 2 |
| 4 | 40881 | Drum Assembly | 1 |
| 5 | 40792 | Washer | 1 |
| 6 | 40791 | Retaining Ring | 1 |
| 7 | 10061 | Shaft Key | 1 |

COPYRIGHT © 1999
SNAPPER INC.
ALL RIGHTS RESERVED

SNAPPER McDonough, GA., 30253 U.S.A.