

# DTX-NSM

## Network Service Module

### Getting Started Guide

The DTX-NSM Network Service Module lets you do the following:

- Verify connection to the network, including connection speed, duplex configuration, link wiring, and PoE service (wiring and PoE functions for twisted pair only)
- Ping IP addresses
- Monitor network traffic for utilization, collisions, errors, and broadcast packets
- Blink a port's activity LED
- Use Fluke Networks LinkRunner™ Cable ID locators (optional) to identify link connections at a patch panel (twisted pair only)

*Note*

*Running network tests on a fiber link requires an optional SFP module.*

### Accessing the Product Manuals

This guide provides basic information to help you get started using the module. For more detailed information, see the latest versions of the *DTX Series Users Manual* and the *DTX Series Technical Reference Handbook* provided on the DTX Product Manuals CD and on the Fluke Networks website.

# Software Requirements

The following software supports the DTX-NSM module. Software upgrades are available on the Fluke Networks website.

- DTX software: version 1.3 or later
- LinkWare software: version 2.5 or later

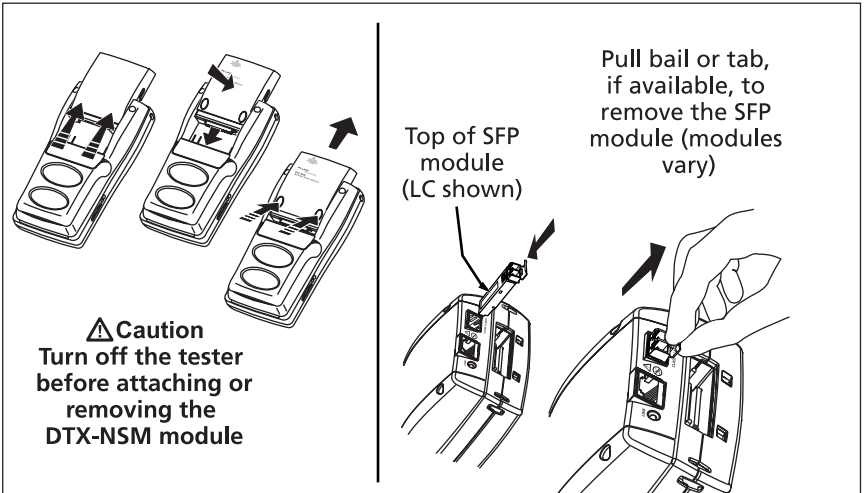
# Installing the DTX-NSM Module and Optional SFP Module

Install the network module only on the main tester. Install an optional SFP (small form pluggable) module to test fiber links. You may install or remove the SFP module while the tester is on. See Figure 1.

### ⚠ Caution

Leave the module bay cover in place when a network module is not installed.

Put the dust cap on the SFP port when an optical module is not installed. Put the dust cap on the optical module when not connected to a fiber.




can01.eps

Figure 1. Installation

## Verifying Network Connectivity

The network connectivity test tells you if a network jack is connected to the switch or hub. The test also provides details about the link's configuration and includes a ping function for verifying connectivity to stations on the network.

### Setting Up for the Connectivity Test

- 1 Turn the rotary switch to **SETUP**, select **Network Settings > IP Address Assignment**; then select one of the following:
  - Select **DHCP** to have the network's server assign IP addresses.
  - Select **Static** to assign addresses manually.  
In **Static** mode, a second tab appears on the **Network Settings** screen. On this tab, enter the **DTX Address**, **Subnet Mask**, and **Gateway** (optional) and **DNS Server** (optional) addresses. These addresses are typically available from a network installer, administrator, technician, or from network documentation.
- 2 Use one of the following methods to enter ping addresses (optional):
  - In the latest version of LinkWare software, select **Utilities > DTX Utilities > Ping Target List** to create and download an address list. See the LinkWare online help for details.
  - On the tester's **Network Settings** tab, select **Target Addresses**. Press  **Create**; then enter the **Name** and **IP Address** of a device you want to ping.

## Running the Connectivity Test

- 1 Connect to the network using a twisted pair or fiber patch cord.
- 2 Turn the rotary switch to **MONITOR**; then select **Network Connectivity**.
- 3 Press **TEST**. Figure 2 describes some of the features on the network connectivity results screen.
- 4 To save the results press **SAVE**, then select **Save Standalone Result** or **Add to Cable Test Result**. Use the appropriate keys to create an ID for the standalone result or save the result with an existing cable test result.

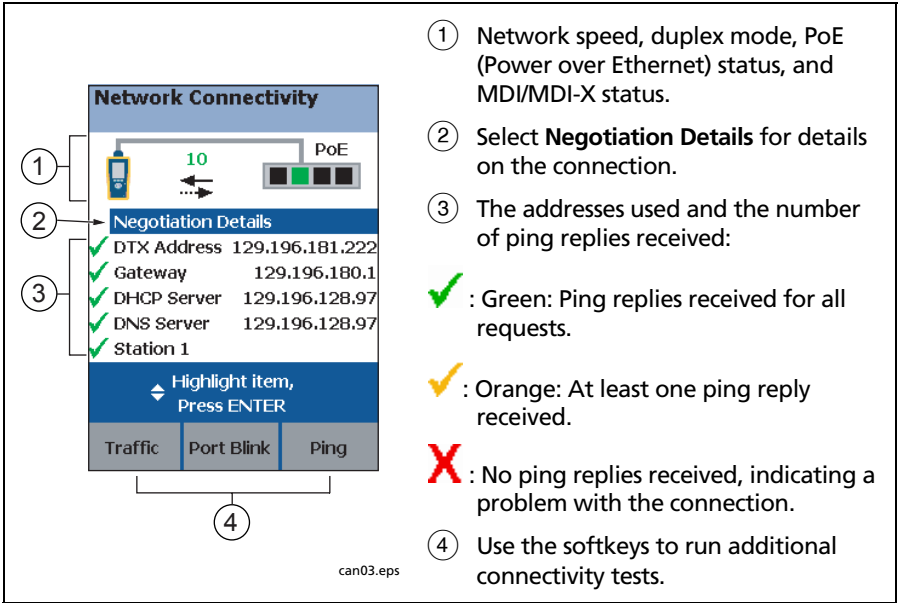




Figure 2. Network Connectivity Results

## Identifying Links (twisted pair only)

The **ID Locator** function helps you quickly identify link connections at a patch panel. This function requires one or more optional Fluke Networks LinkRunner™ Cable ID locators.

To identify a link:

- 1 Connect one or more cable ID locators to one end of the link(s).
- 2 Turn the rotary switch to **MONITOR**, select **ID Locator**; then press .
- 3 Connect the tester to different jacks, pressing  to rescan each time, until **Found Cable ID** and the identifier's number appears.

## Registration

Registering your product with Fluke Networks gives you access to valuable information on product updates, troubleshooting tips, and other support services.

To register, fill out the online registration form on the Fluke Networks website at [www.flukenetworks.com/registration](http://www.flukenetworks.com/registration).

## Contacting Fluke Networks



[www.flukenetworks.com](http://www.flukenetworks.com)



[support@flukenetworks.com](mailto:support@flukenetworks.com)



+1-425-446-4519 or 1-800-283-5853

- Australia: 61 (2) 8850-3333 or 61 (3) 9329 0244
- Beijing: 86 (10) 6512-3435
- Brazil: 11 3044 1277
- Canada: 1-800-363-5853
- Europe: +44-(0)1923-281-300
- Hong Kong: 852 2721-3228
- Japan: 03-3434-0510
- Korea: 82 2 539-6311
- Singapore: 65-6799-5566
- Taiwan: (886) 2-227-83199

Visit our website for a complete list of phone numbers.

## LIMITED WARRANTY AND LIMITATION OF LIABILITY

Fluke Networks mainframe products will be free from defects in material and workmanship for one year from the date of purchase. Parts, accessories, product repairs and services are warranted for 90 days, unless otherwise stated. Ni-Cad, Ni-MH and Li-Ion batteries, cables or other peripherals are all considered parts or accessories. This warranty does not cover damage from accident, neglect, misuse, alteration, contamination, or abnormal conditions of operation or handling. Resellers are not authorized to extend any other warranty on Fluke Networks' behalf. To obtain service during the warranty period, contact your nearest Fluke Networks authorized service center to obtain return authorization information, then send your defective product to that Service Center with a description of the problem.

THIS WARRANTY IS YOUR ONLY REMEDY. NO OTHER WARRANTIES, SUCH AS FITNESS FOR A PARTICULAR PURPOSE, ARE EXPRESSED OR IMPLIED. FLUKE NETWORKS IS NOT LIABLE FOR ANY SPECIAL, INDIRECT, INCIDENTAL OR CONSEQUENTIAL DAMAGES OR LOSSES, ARISING FROM ANY CAUSE OR THEORY. Since some states or countries do not allow the exclusion or limitation of an implied warranty or of incidental or consequential damages, this limitation of liability may not apply to you.

Fluke Networks  
PO Box 777  
Everett, WA 98206-0777  
USA