

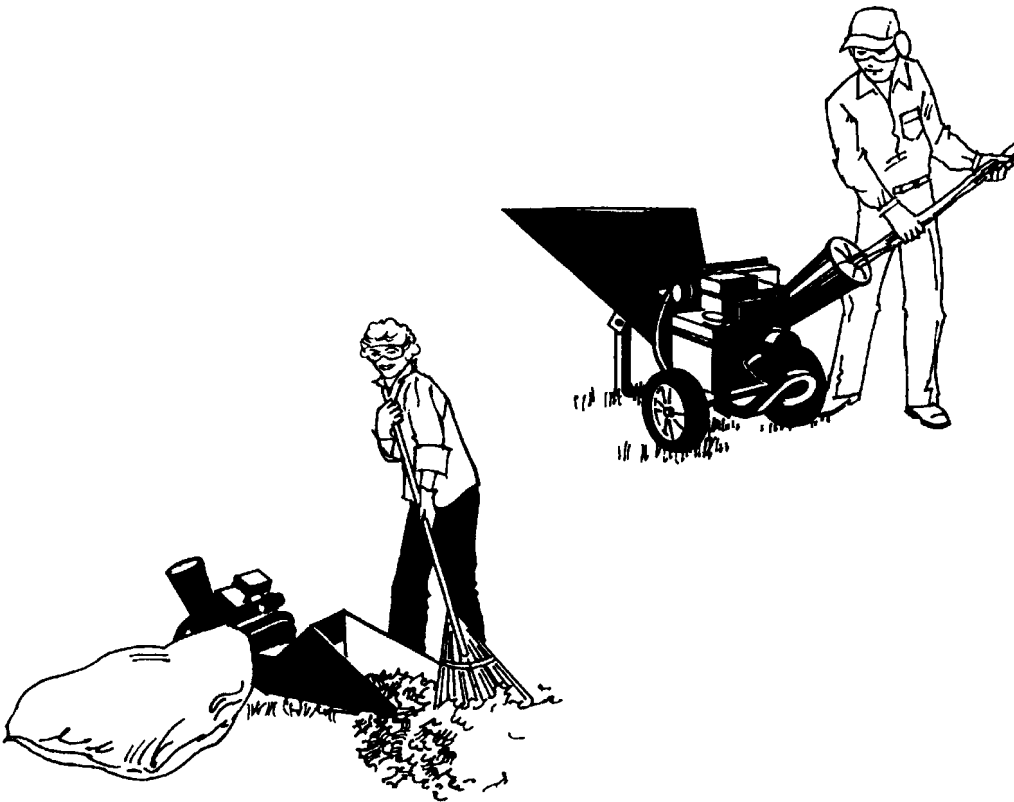
Parts Manual for

SNAPPER®

LEAF SHREDDER CHIPPER SERIES 0

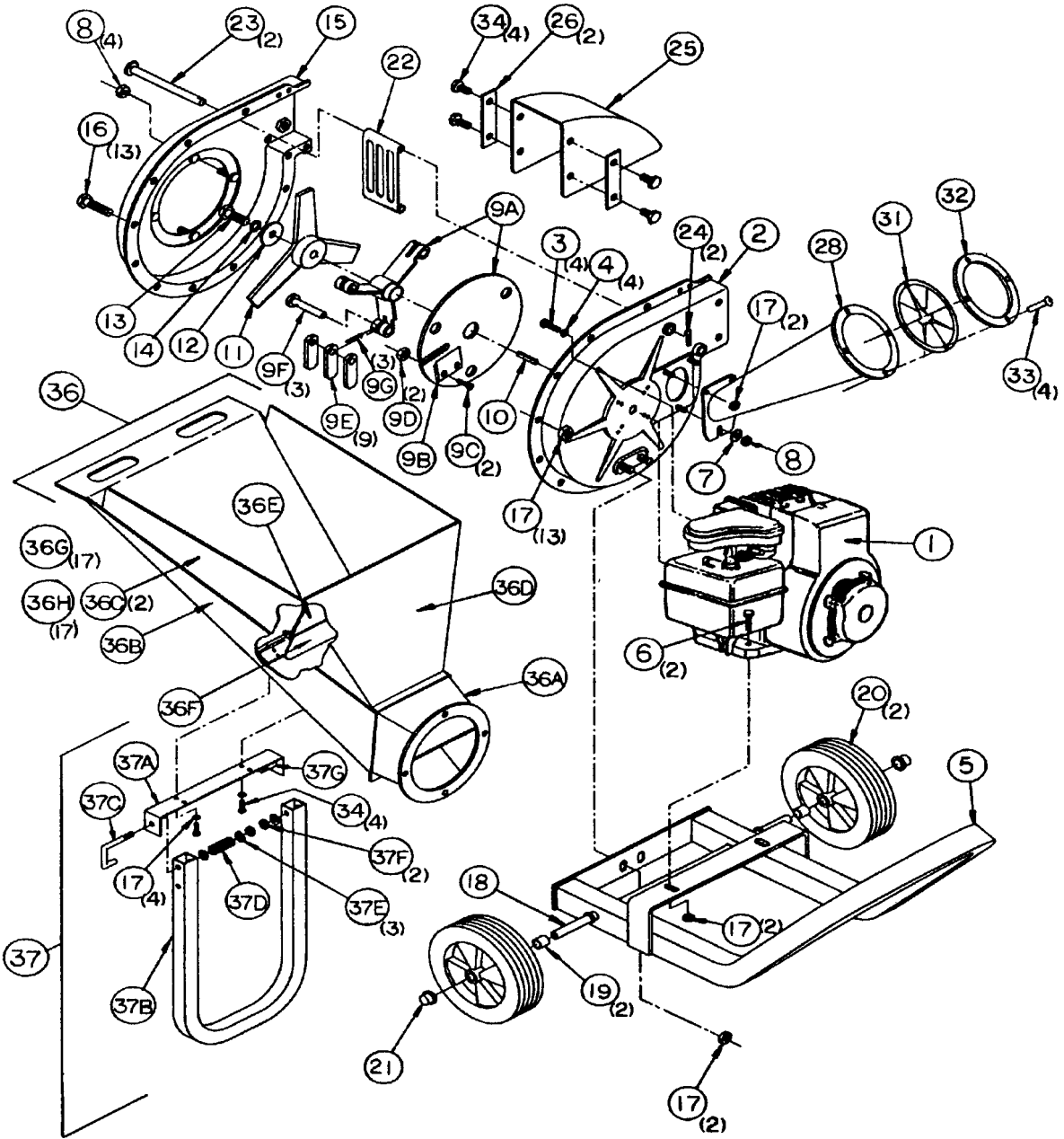
MODEL

LS5000



PARTS FOR THIS MACHINE MUST BE ORDERED FROM:
1189 Old Schuylkill Road * P.O. Box 111 * Parker Ford, PA 19457-0111
Phone: (610) 495-7181 or (800) 348-1117, Fax: (610) 495-5951

SNAPPER McDonough, GA., 30253 U.S.A.



LS5000 PARTS LIST

Item No.	Part No.	Quantity	Description
1	804-0003	1	5 H.P. Engine
2	804-0004	1	Housing Weldment, Engine Side
3	090-0408	4	5/16-24 x 3/4" HHCS, GR5, Pltd.
4	090-0394	4	5/16 Med. Split Lockwasher, Pltd.
5	804-0025	1	Bumper Weldment
6	090-0090	2	5/16-18 x 1-1/2" HHCS, GR5, Pltd.
7	090-0233	1	5/16 Flatwasher, Pltd.
8	090-0460	5	5/16-18 Nylon Insert Locknut, Pltd.
9	804-0008	1	Shredder Rotor Assembly (includes 9A through 9G)
9A	804-0009	1	Shredder Flywheel
9B	804-0016	1	Chipper Knife
9C	090-0413	2	5/16-18 x 1" Flat Hd. Socket Cap Screw
9D	090-0460	2	5/16-18 Nylon Insert Locknut Pltd.
9E	804-0015	9	Hammer
9F	804-0019	3	Hammer Rod
9G	090-0454	3	1/8" Dia. x 1" Lg. Roll Pin
10	703-0424	1	1/4" x 1/4" x 2" Lg. Shaft Key
11	804-0017	1	Tri-Lobed Blade
12	804-0018	1	Retaining Washer
13	090-0452	1	3/8-24 x 2" Lg. HHCS, GR8, Blk.
14	090-0228	1	3/8 Med. split Lockwasher, Pltd.
15	804-0005	1	Housing Weldment, Hopper Side
16	090-0067	13	5/16-18 x 5/8" HHCS, GR5, Pltd.
17	090-0418	23	5/16-18 Whiz Lock Nut, Pltd.
18	804-0020	1	Axle
19	500-0074	4	Axle Spacer
20	804-0022	2	Wheels 10" Dia. x 1-3/4" Wide
21	090-0457	2	Push Nut Cap 5/8" Dia. Shaft
22	804-0023	1	Shredder Screen
23	804-0024	2	Screen Rod
24	706-0924	2	Hair Cotter Pin
25	804-0051	1	Discharge Cover
26	804-0055	2	Strap
28	804-0029	1	Chipper Chute Weldment
31	804-0033	1	Chipper Chute Cover
32	804-0031P	1	Mounting Flange
33	080-0061	4	3/16" x .402 Alum Pop Rivet
34	090-0066	12	5/16-18 x 3/4" HHCS
36	804-0002	1	Hopper Assembly (includes 36A through 36H)
36A	804-0035	1	Hopper Nose Weldment
36B	804-0041	1	Hopper Base
36C	804-0042	2	Hopper Sides
36D	804-0043	1	Hopper Front
36E	804-0044	1	Hopper Baffle
36F	804-0045	1	Hopper Blowback Shield
36G	090-0469	20	1/4-20 x 1/2" HHCS, Blk.
36H	090-0453	20	1/4-20 Whiz Lock Nut
36J	500-0024	4	5/16-18 x 3/4" HHCS, GR5, BLK
37	804-0046	1	Kick Stand Assembly (includes 37A through 37G)
37A	804-0047	1	Bracket
37B	804-0048	1	Leg Stand
37C	804-0049	1	J-Bolt
37D	804-0050	1	Spring
37E	090-0234	3	3/8" Flatwasher, Pltd.
37F	090-0461	2	3/8"-16 Nylon Insert Locknut, Pltd.
37G	090-0114	1	3/8-16 x 2" HHCS, GR5, Pltd.
38	705-0079	1	Nylon Knit Bag

Parts Manual for

SNAPPER[®]

**LEAF SHREDDER CHIPPER
SERIES 0**

COPYRIGHT © 1999
SNAPPER INC.
ALL RIGHTS RESERVED

SNAPPER[®] McDonough, GA., 30253 U.S.A.