

Fisher-Price®



Model T4444



Model M7596

www.fisher-price.com

Consumer Information



WARNING

To avoid serious injury:

- Adult supervision required.
- Never use near cars and other motor vehicles, near streets, steps, sloped driveways, hills, roadways, alleys, swimming pools or other bodies of water.
- Always wear shoes.
- Never allow more than one rider.



CAUTION

This product contains small parts in its unassembled state. Adult assembly is required.

- Please keep this instruction sheet for future reference, as it contains important information.
- Adult assembly is required.
- Tools needed for assembly: Phillips screwdriver and hammer (tools not included).
- Requires three, "AAA" (LR03) **alkaline** batteries for sounds and lights box operation (not included).
- For children ages 1½ - 5 years.
- Weight limit: 55 lbs (25kg).
- This product is intended for use on smooth, paved surfaces, away from motor vehicles.

Care

- Periodically check plastic parts and if broken or cracked, dispose of them properly. Periodically check all fasteners regularly to be sure they are tight. If the fasteners are not tight, tighten them as necessary.
- To clean, use a mild soap and water solution and a clean cloth. Rinse clean with water to remove soap residue.

FCC Statement (United States Only)

This equipment has been tested and found to comply with the limits for a Class B digital device, pursuant to Part 15 of the FCC Rules. These limits are designed to provide reasonable protection against harmful interference in a residential installation. This equipment generates, uses and can radiate radio frequency energy and, if not installed and used in accordance with the instructions, may cause harmful interference to radio communications. However, there is no guarantee that interference will not occur in a particular installation. If this equipment does cause harmful interference to radio or television reception, which can be determined by turning the equipment off and on, the user is encouraged to try to correct the interference by one or more of the following measures:

- Reorient or relocate the receiving antenna.
- Increase the separation between the equipment and receiver.
- Consult the dealer or an experienced radio/TV technician for help.

Note: Changes or modifications not expressly approved by the manufacturer responsible for compliance could void the user's authority to operate the equipment.

This device complies with Part 15 of the FCC Rules. Operation is subject to the following two conditions: (1) this device may not cause harmful interference and (2) this device must accept any interference received, including interference that may cause undesired operation.

ICES-003

- This Class B digital apparatus complies with Canadian ICES-003.
- Operation is subject to the following two conditions: (1) this device may not cause harmful interference and (2) this device must accept any interference received, including interference that may cause undesired operation.

NMB-003

- Cet appareil numérique de la classe B est conforme à la norme NMB-003 du Canada.
- L'utilisation de ce dispositif est autorisée seulement aux conditions suivantes: (1) il ne doit pas produire de brouillage et (2) l'utilisateur du dispositif doit être prêt à accepter tout brouillage radioélectrique reçu, même si ce brouillage est susceptible de compromettre le fonctionnement du dispositif.

Assembled Parts

Note: Label sheet not shown.



Roof



Rear Axle



2 Front Axles



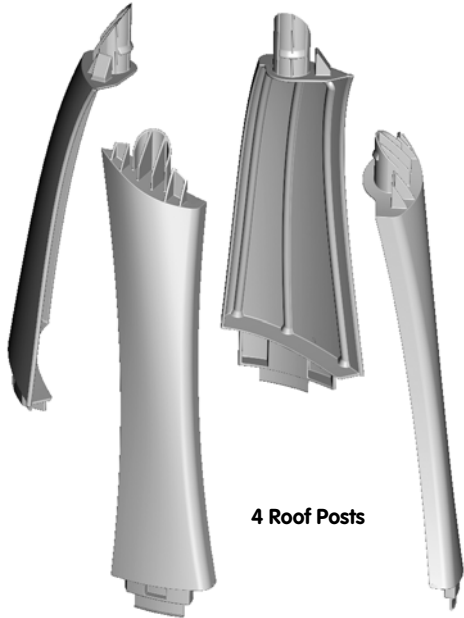
2 Axle Mounts



4 Wheels



4 Hubcaps



4 Roof Posts



Sounds and Lights Box



Retainer



Cup Holder



2 Rear Bushings



4 Wheel Covers



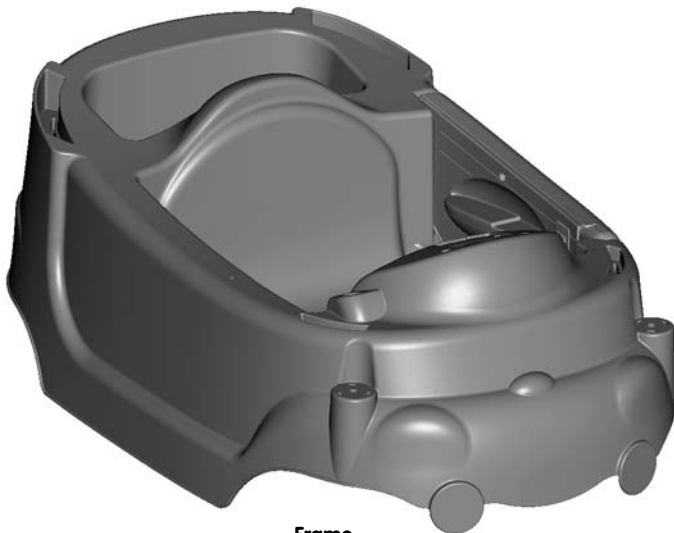
2 Front Bushings



2 Cap Nut Covers



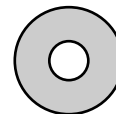
Steering Wheel



Frame



Key



$\frac{3}{16}$ " Washer - 4



.354" Cap Nuts - 5



#6 x $\frac{1}{2}$ " Screw - 3



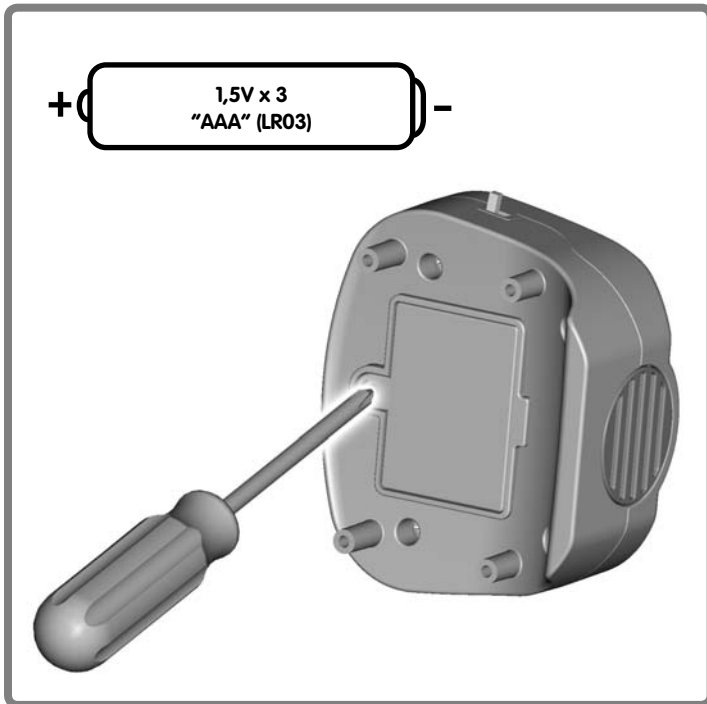
#8 x $\frac{3}{4}$ " Screw - 11

ALL SHOWN ACTUAL SIZE

Note: Tighten and loosen all screws with a Phillips screwdriver.
Do not over-tighten the screws.

For your convenience, we've included extra cap nuts!

Battery Installation



- Locate the battery compartment on the bottom of the sounds and lights box.
- Loosen the screw in the battery compartment door. Remove the battery compartment door.
- Insert three "AAA" (LR03) **alkaline** batteries.

Hint: We recommend using **alkaline** batteries for longer battery life.

- Replace the battery compartment door and tighten the screw with a Phillips screwdriver. Do not over-tighten.
- If the toy begins to operate erratically, you may need to reset the electronics. Remove and replace the batteries inside the battery compartment.
- When sounds or lights from this toy become faint or stop, it's time for an adult to change the batteries.



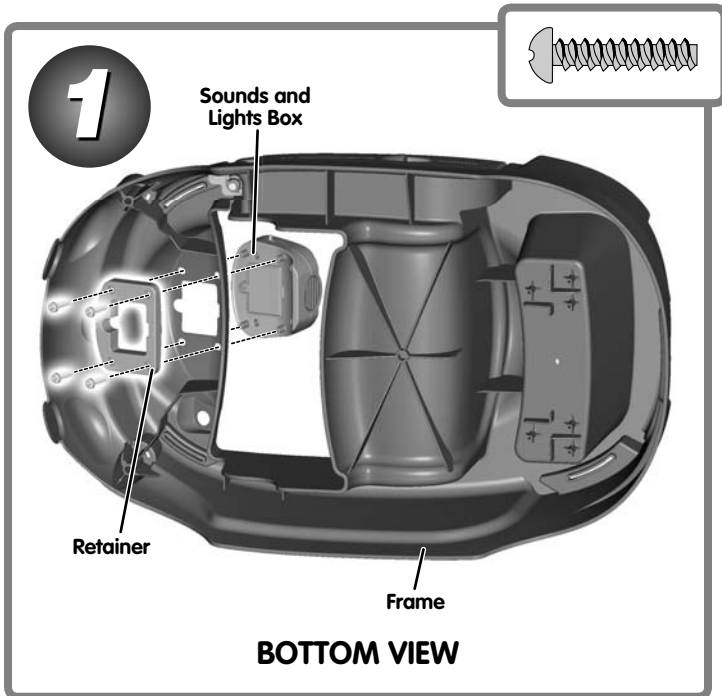
Protect the environment by not disposing of this product with household waste (2002/96/EC). Check your local authority for recycling advice and facilities (Europe only).

Battery Safety Information

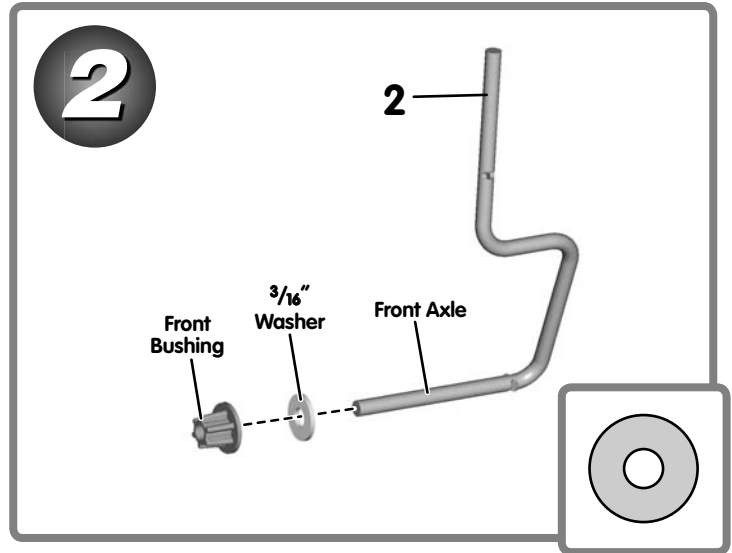
In exceptional circumstances, batteries may leak fluids that can cause a chemical burn injury or ruin your product. To avoid battery leakage:

- Do not mix old and new batteries or batteries of different types: alkaline, standard (carbon-zinc) or rechargeable (nickel-cadmium).
- Insert batteries as indicated inside the battery compartment.
- Remove batteries during long periods of non-use. Always remove exhausted batteries from the product. Dispose of batteries safely. Do not dispose of product in a fire. The batteries inside may explode or leak.
- Never short-circuit the battery terminals.
- Use only batteries of the same or equivalent type, as recommended.
- Do not charge non-rechargeable batteries.
- Remove rechargeable batteries from the product before charging.
- If removable, rechargeable batteries are used, they are only to be charged under adult supervision.

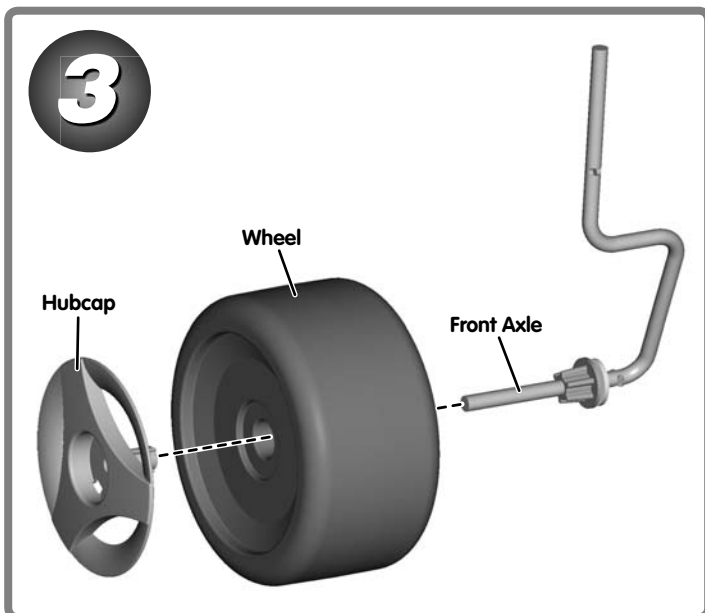
Assembly



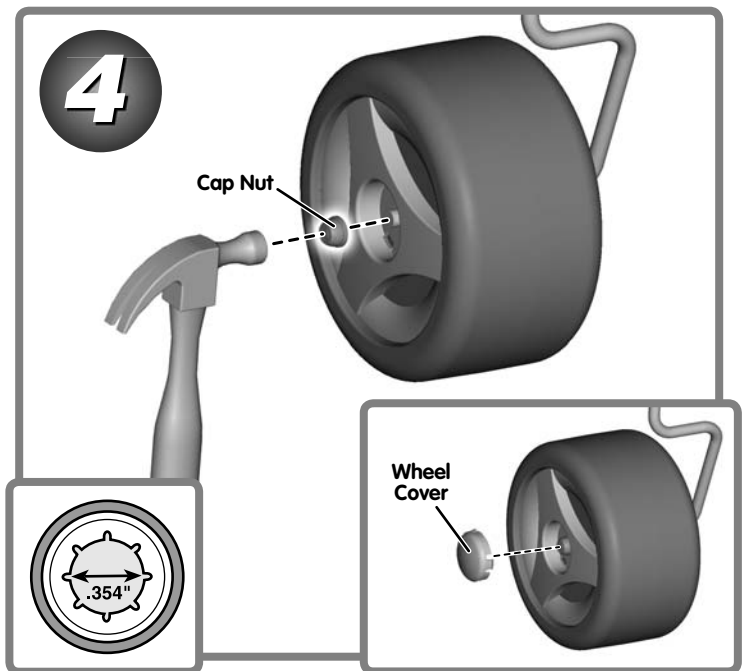
- Turn the frame on its side.
- Fit the sounds and lights box onto the dash on the topside of the vehicle.
- Then, fit the retainer over the battery compartment door on the underside of the frame. Insert four #8 x 3/4" screws into the retainer and tighten.
- Turn the frame upright.



- Slide a 3/16" washer onto the front axle **labeled 2**.
- Then, slide a front bushing, **flat side first**, onto the front axle.

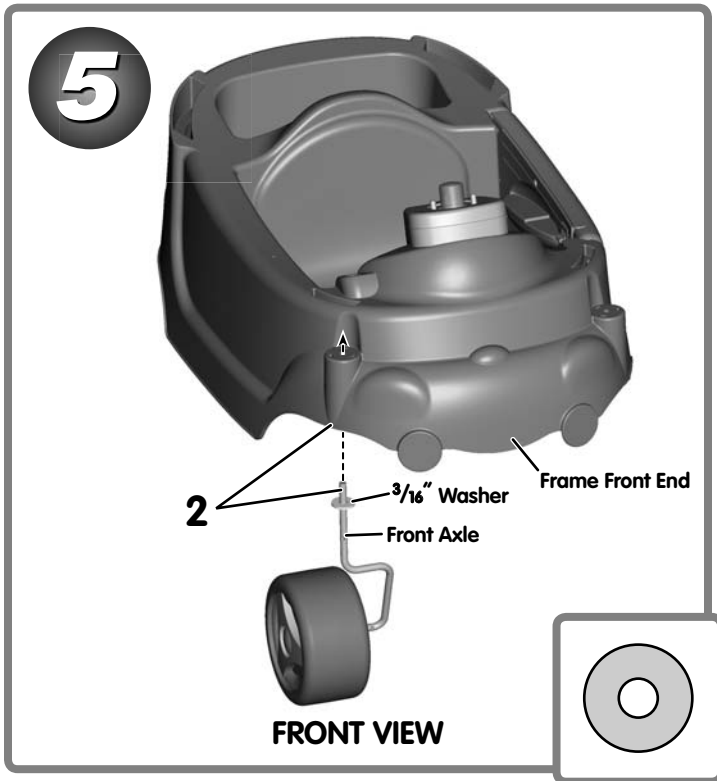


- Slide a wheel, **smooth side first**, onto the front axle.
- Then, slide a hubcap, **post side first**, onto the front axle and into the wheel.

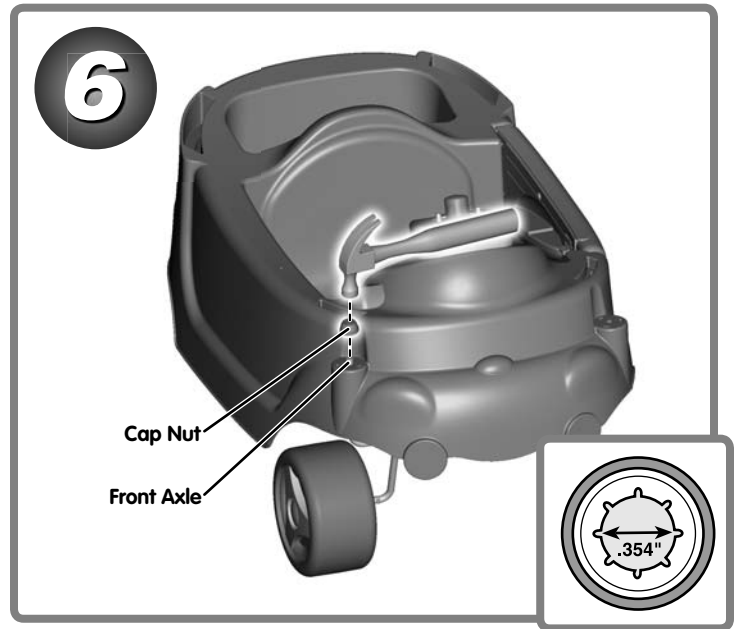


- Fit a cap nut onto the end of the front axle.
- Tap the cap nut with a hammer. **Gently pull the wheel to make sure the cap nut is securely attached to the front axle.**
- Fit a wheel cover onto the hubcap, and push to "snap" in place.

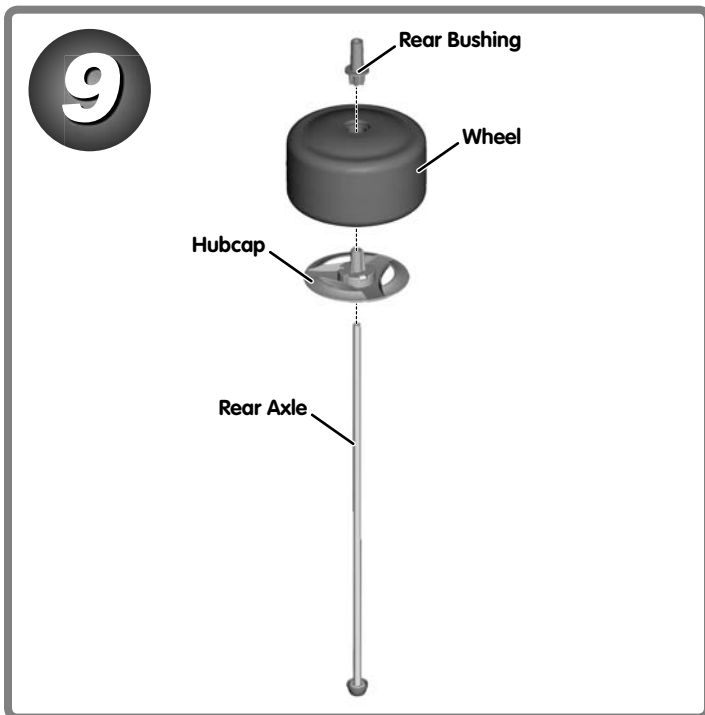
Assembly



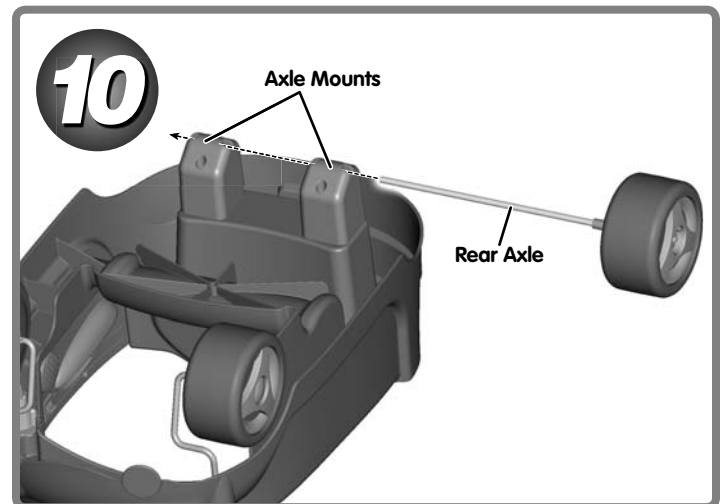
- First, slide a 3/16" washer onto the front axle.
- Then, insert the front axle **labeled 2** up through the hole in the front end of the frame also **labeled 2**.



- Fit a cap nut onto the end of the front axle, as shown.
- Tap the cap nut with a hammer.
- **Gently pull the front wheel down to be sure the cap nut is securely attached to the front axle.**
- Repeat assembly steps 2-6 to assemble the front axle labeled 1, a wheel, a front bushing, a 3/16" washer, two cap nuts and a wheel cover.

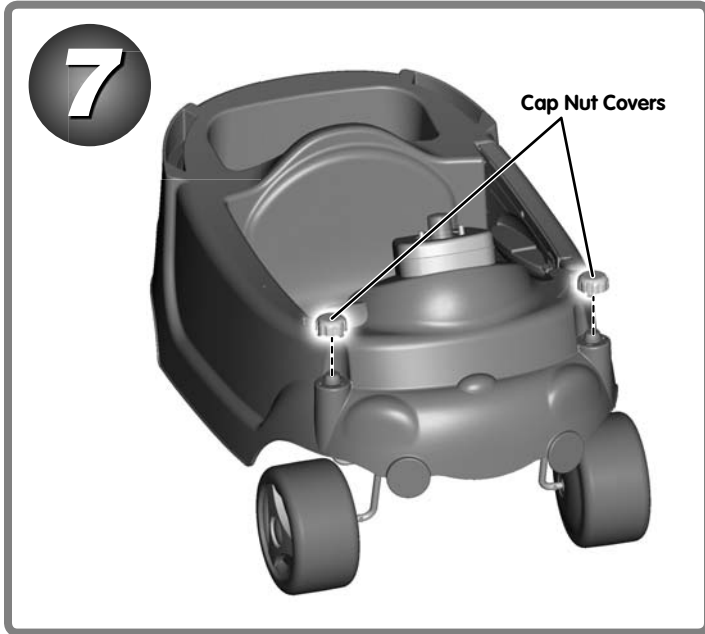


- Slide a hubcap, **post side up**, onto the rear axle.
- Next, slide a wheel, **smooth side up**, onto the rear axle.
- Then, slide a rear bushing, **short end down**, onto the rear axle.

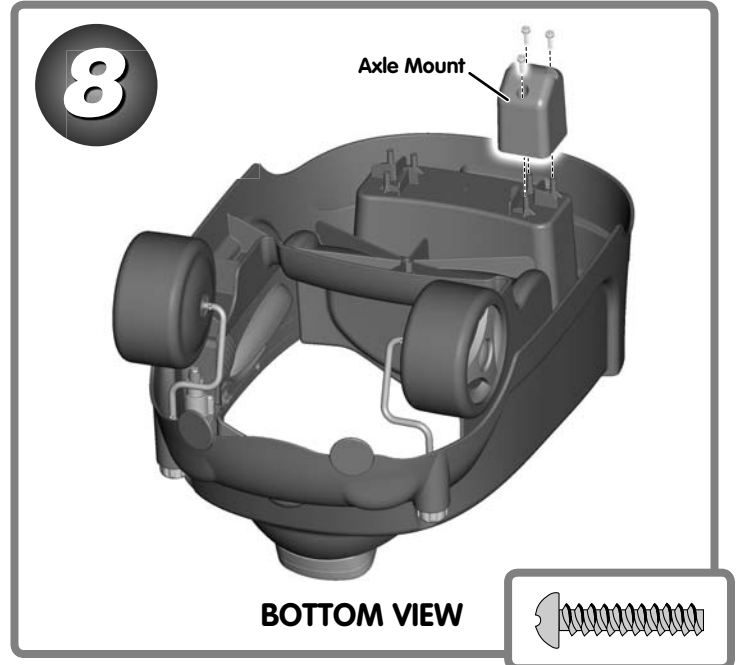


- Slide the rear axle through the holes in the axle mounts.

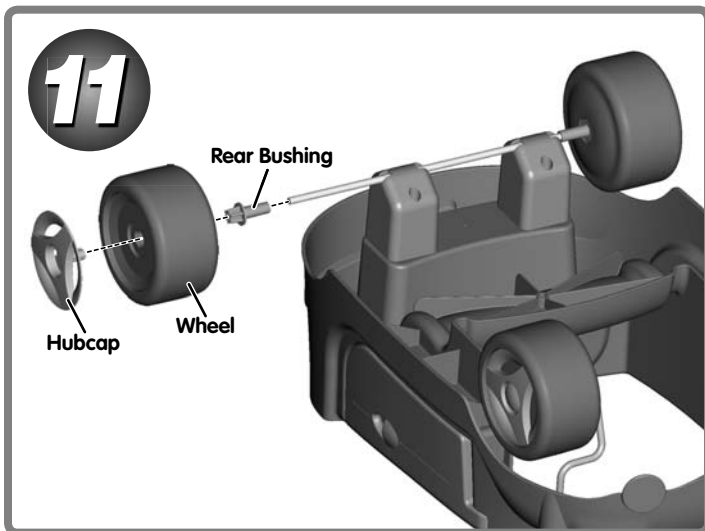
Assembly



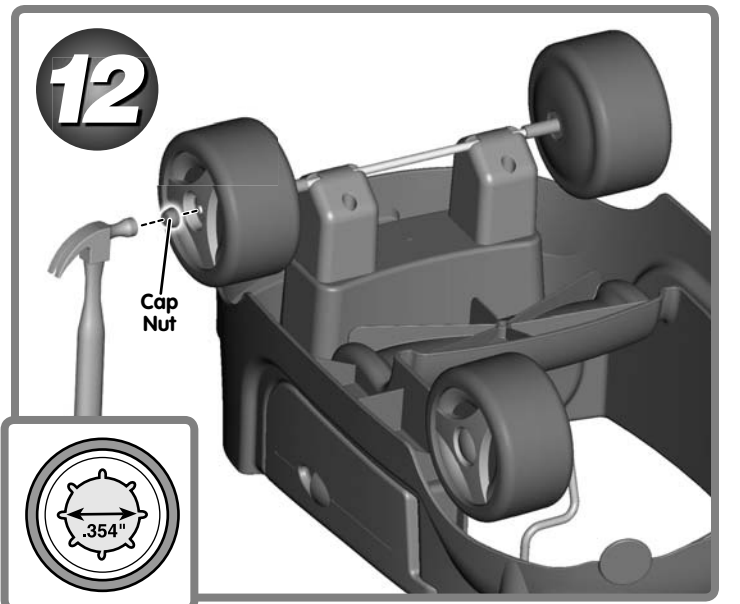
- Fit a cap nut cover over each cap nut on the front end of the frame. Push to **"snap"** in place.



- Turn the frame upside down on a flat surface.
- Fit an axle mount onto the pegs near the rear of the frame.
- Hint: Each axle mount only fits on one side of the vehicle. If it does not line up with the pegs on the frame, try fitting it to the other side.*
- Insert three #8 x 3/4" screws into the axle mount and tighten.
- Repeat this procedure to assemble the other axle mount to the rear of the frame.

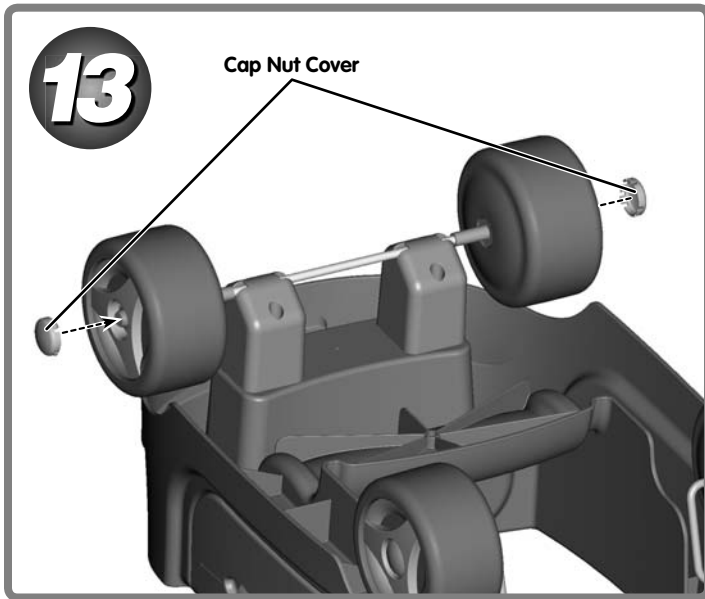


- Slide a rear bushing, **long end first**, onto the rear axle.
- Next, slide a wheel, **smooth side first**, onto the rear axle.
- Then, slide a hubcap, **post side first**, onto the rear axle.



- Fit a cap nut onto the end of the rear axle.
- Tap the cap nut with a hammer. **Gently pull the wheel to make sure the cap nut is securely attached to the rear axle.**
- Hint: You may need the help of another adult to hold the rear axle in place while you tap the cap nut.*

Assembly



- Fit a cap nut cover onto each rear wheel and push to “snap” in place.



- Turn the frame upright.
- Fit the steering wheel onto the sounds and lights box.
- Insert three #6 x 1/2” screws into the steering wheel and tighten.



- Fit the roof assembly onto the frame. Push near each post to “snap” in place.

Hint: The roof assembly is designed to only fit one way. If it does not seem to fit turn it around and try again.

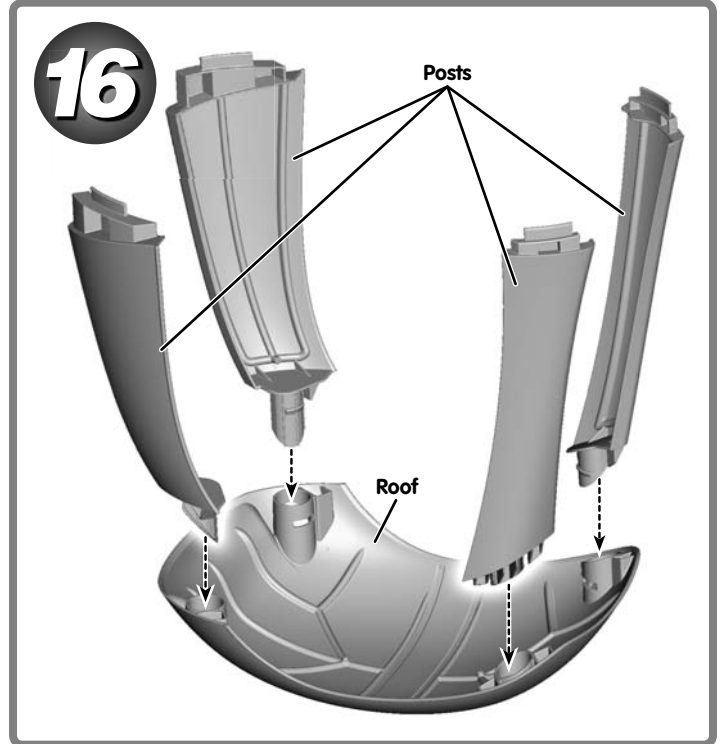


- Fit the cup holder onto the side of the frame.
- Insert a #8 x 3/4” screw into the cup holder and tighten.

Assembly



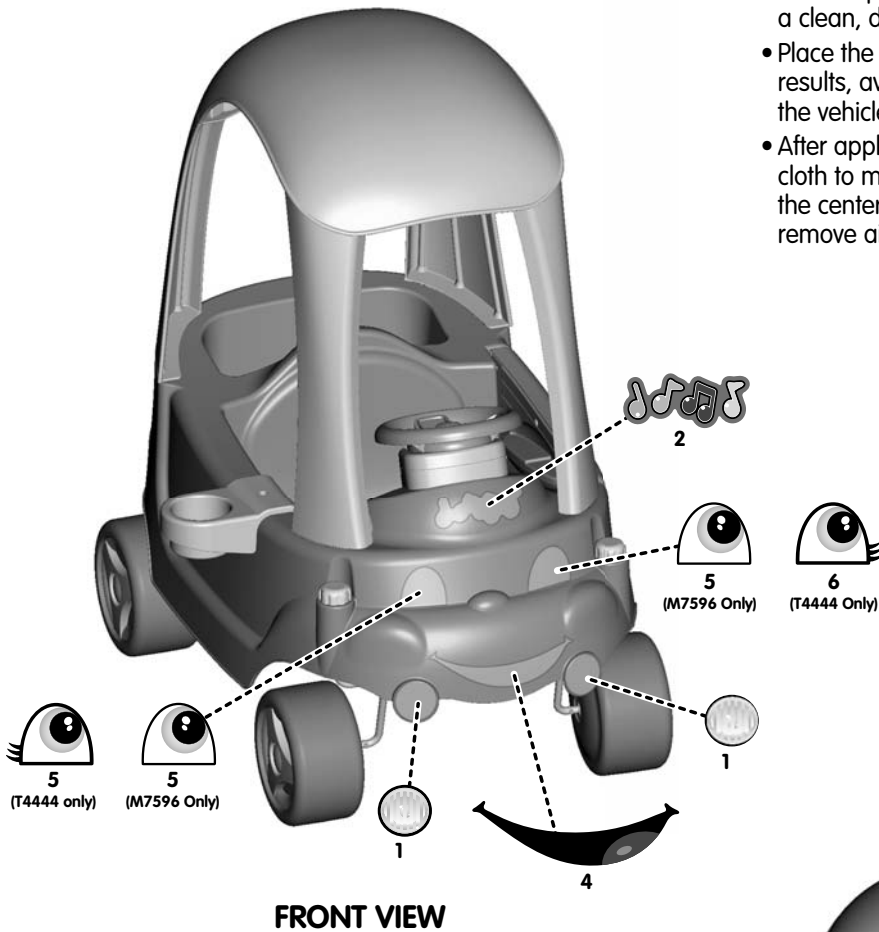
- Fit the key into the hole in the dash. Push to **“snap”** in place.



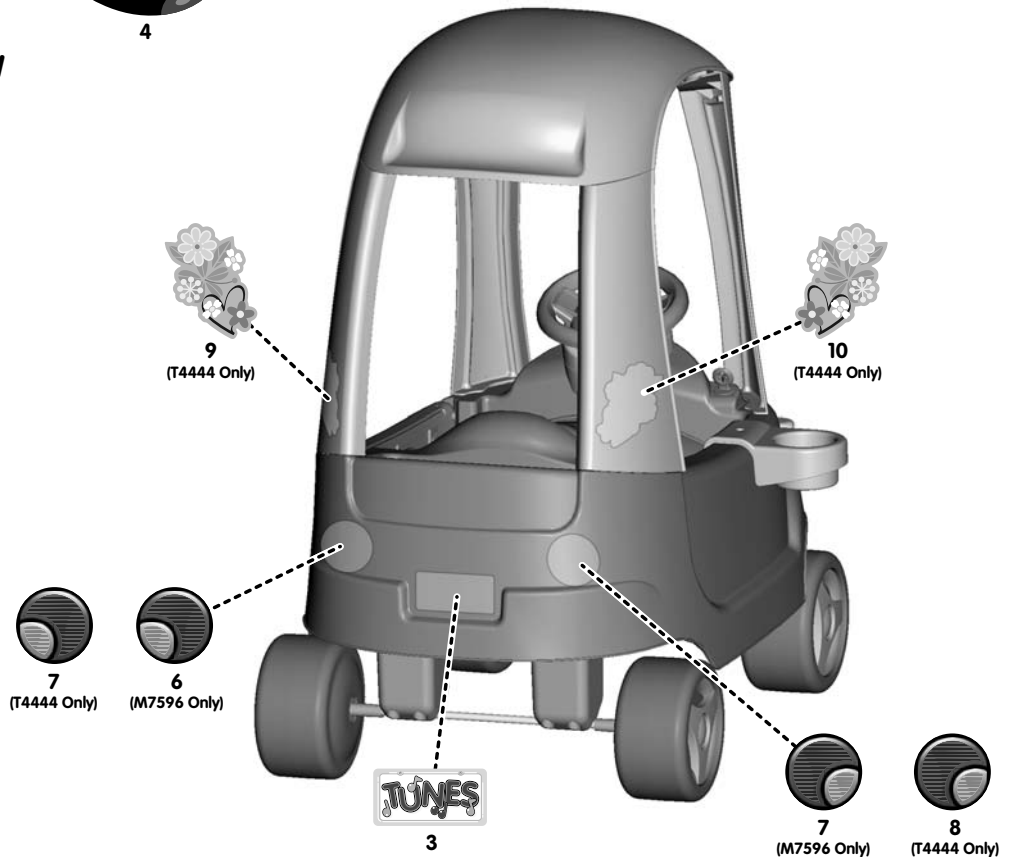
- Turn the roof upside down on a flat surface.
 - Fit the four posts into the roof and push to **“snap”** in place.
- Hint:** Each post is labeled (1, 2, 3 or 4). Match the number on the post to the number on the roof.

Decoration

- Before applying the labels, wipe the surface of the vehicle with a clean, dry cloth to remove any dust or oils.
- Place the labels exactly as shown in the illustrations. For best results, avoid repositioning a label once it has been applied to the vehicle.
- After applying a label, rub the label firmly with a clean, dry cloth to make sure the label is adhered to your vehicle. Start at the center of a label, and smooth towards the outer edges to remove air bubbles.



FRONT VIEW



BACK VIEW

Use




**Press the horn on the steering wheel
for fun car songs and lights!**



Real working door!



 **CONSUMER ASSISTANCE**
1-800-432-5437 (US & Canada)
1300 135 312 (Australia)

 **service.fisher-price.com**

Fisher-Price, Inc., 636 Girard Avenue, East Aurora, NY 14052.
Hearing-impaired consumers: 1-800-382-7470.

Outside the United States:

Canada: Mattel Canada Inc., 6155 Freemont Blvd.,
Mississauga, Ontario L5R 3W2; www.service.mattel.com.

Great Britain: Mattel UK Ltd, Vanwall Business Park,
Maidenhead SL6 4UB. Helpline: 01628 500303.
www.service.mattel.com/uk

Mattel Europa, B.V., Gondel 1, 1186 MJ Amstelveen, Nederland.

Australia: Mattel Australia Pty. Ltd., 658 Church Street,
Locked Bag #870, Richmond, Victoria 3121 Australia.

New Zealand: 16-18 William Pickering Drive,
Albany 1331, Auckland.

Fisher-Price, Inc., a subsidiary of Mattel, Inc., East Aurora, New York 14052 U.S.A.
©2010 Mattel, Inc. All Rights Reserved. © and ™ designate U.S. trademarks of Mattel, Inc.