



F-150



- Please read this manual and save it with your original sales receipt.
- Tool needed for assembly: Phillips Screwdriver (not included).
- Use only with the included Power Wheels® 12 Volt Lead-Acid Rechargeable, Battery with Built-in Thermal Fuse and a Power Wheels® 12 Volt Charger with type 12V connector (both included).
- Requires four "C" (LR14) alkaline batteries for FM Radio operation (not included).



Owner's Manual
with Assembly Instructions
For Model L6348

TABLE OF CONTENTS

Important Information	2
Warnings and Cautions	3
Parts	4
Parts Picture	6
Battery Charging	7
Assembly	8
Decoration	17
Battery Installation	18
Battery Care and Disposal	19
Safe Driving Rules	20
Vehicle Operation	21
Charge Indicator	22
FM Radio	22
Cargo Bed	22
Vehicle Care	22
Problems and Solutions Guide	23
FCC Statement	27
Limited Warranty	27

IMPORTANT INFORMATION

- Your new vehicle requires adult assembly. Please set aside at least 60 minutes for assembly.
- You must charge your battery for 18 - 30 hours **before you use your vehicle for the first time**. We recommend that you start charging your battery before beginning assembly. Please see Battery Charging beginning on page 7 for detailed instructions.
- Read this manual carefully for important safety information and operating instructions before using your vehicle. Keep this manual for future reference as it contains important information.
- This vehicle is appropriate for use on generally level, rough terrain (including hard surfaces, wet and dry grass, ruts, gravel, mulch and mud) and by children 3 years of age and older.
- This vehicle has been pre-set so it will only operate in low speed. **See the instructions for High speed lockout on page 21 to remove the high speed lock-out screw.**
- Use this vehicle **ONLY** outdoors. Most interior flooring can be damaged by riding this vehicle indoors. Fisher-Price® will not be responsible for damage to the floor if the vehicle is used indoors.
- To prevent damaging the motors and gears, teach your child to stop the vehicle before switching direction. Do not exceed the maximum total weight capacity of 130 lbs (59 kg) in the passenger seating area and cargo bed. Cargo bed weight limit: 25 lbs (11.3 kg).
- This product contains a magnet. Do not use around items that are sensitive to or affected by magnetic fields.
- This vehicle has adjustable play seat belts. Please note that the adjustable seat belts are designed to be a play feature and do not function as protective safety restraints.
- If you have any questions about your Power Wheels® vehicle, please call our toll-free service lines at **1-800-348-0751** from 9 AM to 7 PM (EST) Monday through Friday and 11 AM to 5 PM (EST) Saturday. Trained customer service representatives are available to take your call in English or French. Habla Español? Si usted tiene alguna pregunta ó necesita asistencia llame gratis **1-800-348-0755** para los Estados Unidos. Tenemos representantes que hablan español para atender su llamada.
- For your convenience, Power Wheels® maintains an **independently owned and operated** Authorized Service Center Network with more than 300 authorized service centers nationwide. Our authorized service centers will repair or replace parts under warranty at no extra charge, and can perform non-warranty repairs for a minimal charge. To find the authorized service center nearest you, please visit us on-line at **www.powerwheels.com** or call **1-800-348-0751**.
- To register your vehicle, please visit us on-line at **www.powerwheels.com**.

ELECTRICAL HAZARD

WARNING

- Battery can fall out and injure a child if vehicle tips over. Always use battery retainer.
- **PREVENT FIRE**
 - Never modify the electrical system. Alterations could cause a fire resulting in serious injury and could also ruin the electrical system.
 - Use of the wrong type battery or charger could cause a fire or explosion resulting in serious injury.
 - Use of Power Wheels® components in products other than Power Wheels® vehicles could cause overheating, fire or explosion.
- The battery must be handled by adults only. The battery is heavy and contains sulfuric acid (electrolyte). Dropping the battery could result in serious injury.
- Never allow children to charge the battery. Battery charging must be done by adults only. A child could be injured by the electricity involved in charging the battery.
- Read the safety instructions on the battery.
- Examine the battery, charger and their connectors for excessive wear or damage each time you charge the battery. If damage or excessive wear is detected, do not use the charger or the battery until you have replaced the worn or damaged part.
- **HOT** motors. Handle carefully.

RIDING HAZARD

WARNING

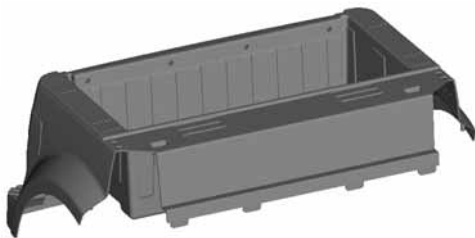
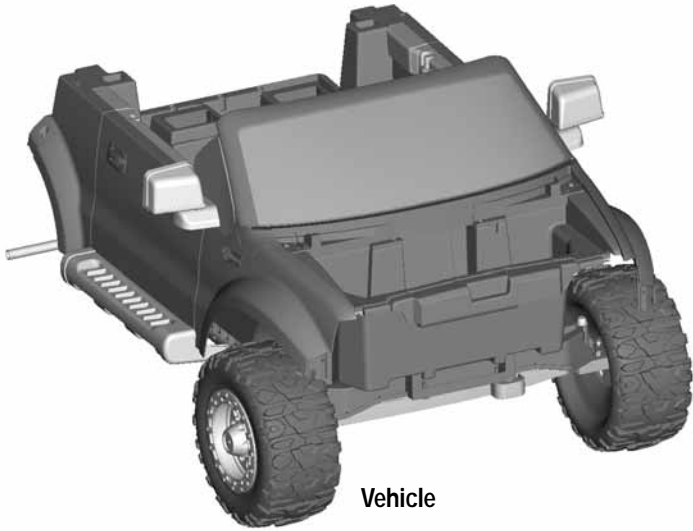
- **Prevent Injuries and Deaths**
 - Direct Adult Supervision Required.
 - Never Ride at Night.
 - Keep Children Within Safe Riding Areas.
These areas must be:
 - away from swimming pools and other bodies of water to prevent drownings
 - generally level to prevent tipovers
 - away from steps, steep inclines, cars, roads and alleys.
 - Riding Rules
Make sure children know and follow these rules for safe driving and riding.
 - Always sit on the seat.
 - Always wear shoes.
 - Only 2 (two) riders at a time.
 - Never ride in cargo bed.

CAUTION

- In the unassembled state, this package contains small parts. Adult assembly is required.
- Use the charger in dry locations only.

PARTS

- If you experience a problem with this product, or are missing a part, please call us at **1-800-348-0751**, rather than return this product to the store.
- Please identify all parts before assembly and save all packaging material until assembly is complete to ensure that no parts are discarded.
- Metal parts have been coated with a lubricant to protect them during shipment. Wipe all metal parts with a paper towel to remove any excess lubricant.





Steering Wheel



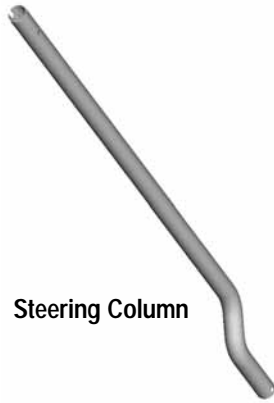
Steering Wheel Cover



12 Volt Charger



12 Volt Battery



Steering Column

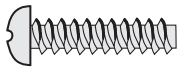


2 Hubcaps



Steering Column Cap

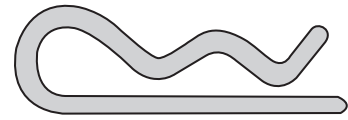
Part Not Shown: Label Sheet



#8 x 3/4" Screw - 19



.25" x 2.85" Pin - 1



Wire Clip - 2

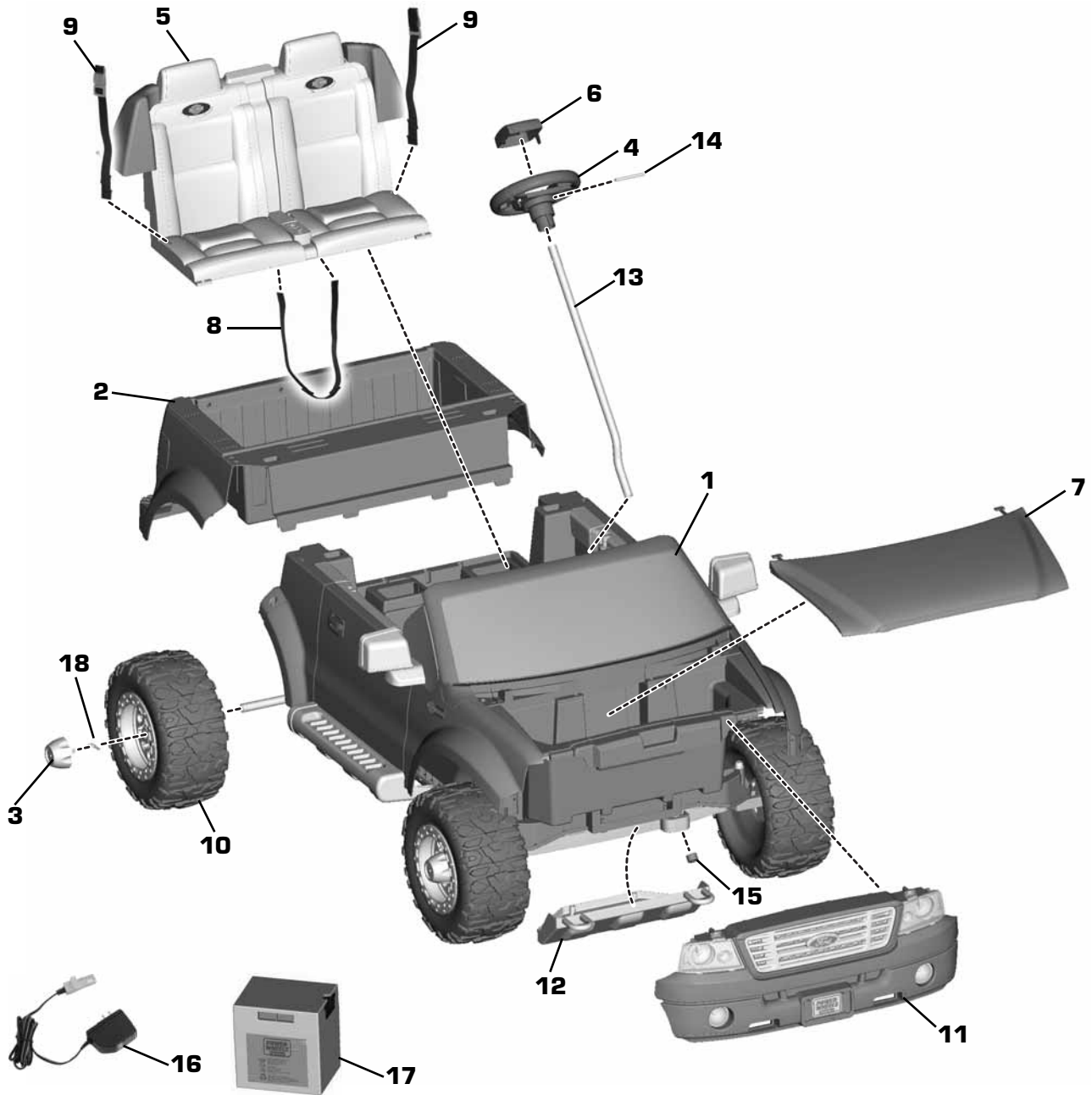
Fasteners Shown Actual Size

For your convenience, we included extra fasteners!

Note: Tighten and loosen all screws with a Phillips screwdriver. Do not over-tighten the screws.

PARTS PICTURE

Note: Some parts shown are assembled to both sides of the vehicle.



1	Vehicle	7	Hood	13	Steering Column	Parts Not Shown	
2	Cargo Bed	8	Long Seat Belt	14	.25 x 2.85" Pin	Label Sheet	
3	2 Hubcaps	9	2 Short Seat Belts	15	Steering Column Cap	#8 x 3/4" Screw - 19	
4	Steering Wheel	10	2 Rear Wheels	16	12 Volt Charger		
5	Seat	11	Front Grille	17	12 Volt Battery		
6	Steering Wheel Cover	12	Grille Support	18	2 Wire Clips		

BATTERY CHARGING

ELECTRICAL HAZARD

WARNING

- Battery can fall out and injure a child if vehicle tips over. Always use battery retainer.
- **PREVENT FIRE**
 - Never modify the electrical system. Alterations could cause a fire resulting in serious injury and could also ruin the electrical system.
 - Use of the wrong type battery or charger could cause a fire or explosion resulting in serious injury.
 - Use of Power Wheels® components in products other than Power Wheels® vehicles could cause overheating, fire or explosion.
- The battery must be handled by adults only. The battery is heavy and contains sulfuric acid (electrolyte). Dropping the battery could result in serious injury.
- Never allow children to charge the battery. Battery charging must be done by adults only. A child could be injured by the electricity involved in charging the battery.
- Read the safety instructions on the battery.
- Examine the battery, charger and their connectors for excessive wear or damage each time you charge the battery. If damage or excessive wear is detected, do not use the charger or the battery until you have replaced the worn or damaged part.

CAUTION

Use the charger in dry locations only.

About Thermal Fuses

Your Power Wheels® 12 volt battery is equipped with a built-in thermal fuse. The thermal fuse is a self-resetting safety device which automatically "trips" and shuts down operation of the vehicle if the vehicle is overloaded or the driving conditions too severe. Once a fuse has "tripped", remove your foot from the pedal and wait approximately 25 seconds before operating the vehicle again. To avoid repeated automatic shut-downs, do not overload the vehicle by exceeding the 130 lbs. (59 kg) maximum weight capacity or by towing anything behind the vehicle. Avoid severe driving conditions, such as driving up slopes or running into fixed objects, which can cause the wheels to stop spinning while power is still being supplied to the motors and make sure your child stops the vehicle before switching direction.

If a thermal fuse in a battery continually trips under normal driving conditions, please contact your local Power Wheels® Authorized Service Center. For the location of the Authorized Service Center nearest to you, visit us on-line at www.powerwheels.com, or call 1-800-348-0751.

Important Notes

- **Your new battery must be charged for at least 18 hours before you use it in your vehicle for the first time.**
- We recommend that you start charging your battery before beginning assembly of your new vehicle.
- The battery must be upright while charging.
- The charger is not a toy.
- Do not short circuit the battery.
- You do not need to remove the battery from your vehicle to recharge it.
- Before charging the battery, examine the battery case for cracks and other damage which may cause sulfuric acid (electrolyte) to leak during the charging process. If damage is detected, do not charge the battery or use it in your vehicle. Battery acid is very corrosive and can cause severe damage to surfaces it contacts.
- Do not charge the battery on a surface (such as a kitchen counter top) which could be damaged by the acid contained inside the battery. Take precautions to protect the surface on which you charge your battery.
- Use only a Power Wheels® 12 volt charger with "12 V" connector (input 120 VAC, 60 Hz with an output of 12 VDC, 1200 mA) to charge your Power Wheels® 12 volt battery.

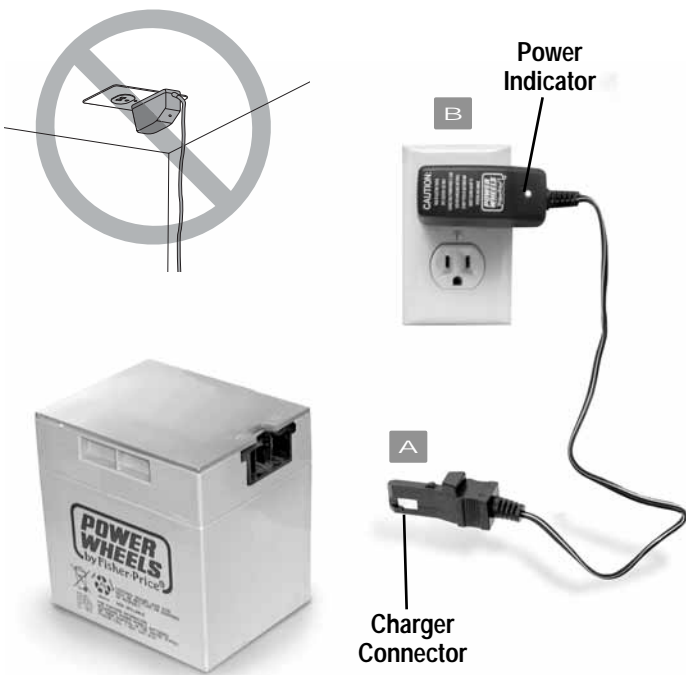
Adults Note: Regularly examine the charger for damage to the cord, plug, housing or other parts that may result in the risk of fire, electric shock or injury. In the event of any damage, do not use the charger until the damage has been properly repaired. Please call 1-800-348-0751.

- If your battery is old and will not accept a charge, do not leave it in the vehicle. Always remove a dead battery from the vehicle.

ASSEMBLY

WARNING

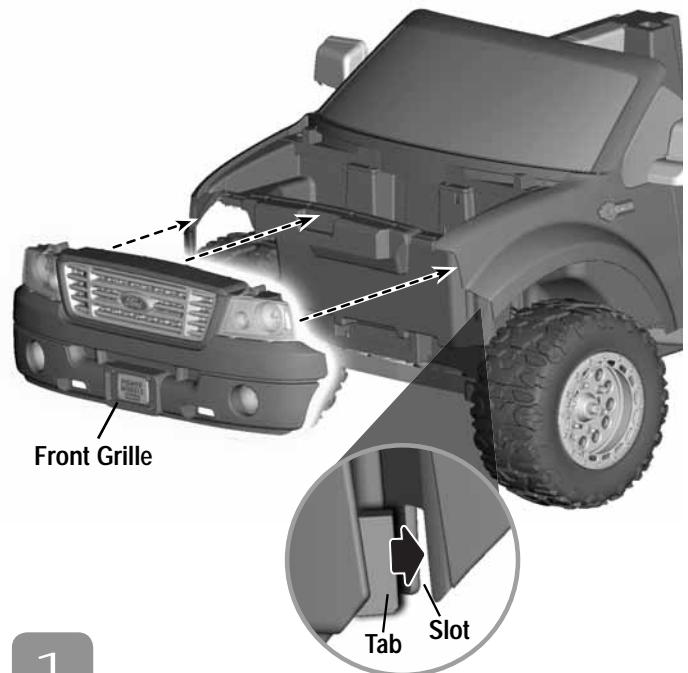
Children can be harmed by small parts, sharp edges and sharp points in the vehicle's unassembled state, or by electrical items. Care should be taken in unpacking and assembly of the vehicle. Children should not handle parts, including the battery, or help in assembly of the vehicle.



- Plug the charger connector into the battery **A**.
- Plug the charger into a standard wall outlet. The power indicator lights **B**.

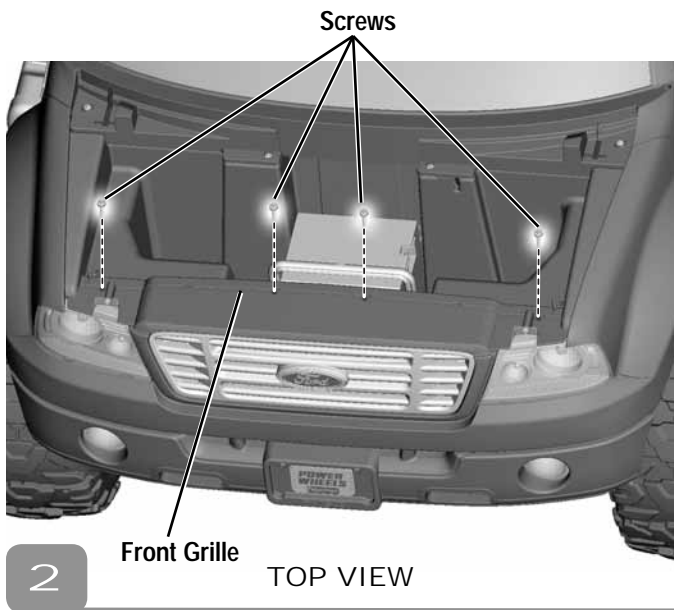
Notes:

- If power flow to the wall outlet is controlled by a switch, make sure the switch is "ON".
- Use the charger only in a wall outlet. Do not plug the charger into a ceiling outlet.
- The power indicator on the charger does not indicate the charge status of your battery. The power indicator allows you to see that there is power from the wall outlet.
- Before first-time use, charge the battery for **at least 18 hours**. Never charge the battery longer than 30 hours.
- Recharge the battery for at least 14 hours after each use of your vehicle. Do not charge the battery longer than 30 hours.
- Once the battery is charged, disconnect the charger connector from the battery. Unplug the charger from the wall outlet. The battery is now ready to be installed in your vehicle. Please see the Battery Installation section on page 18 for detailed instructions on installing your battery. If your battery is already installed in your vehicle, simply re-connect the motor harness connector to the battery.

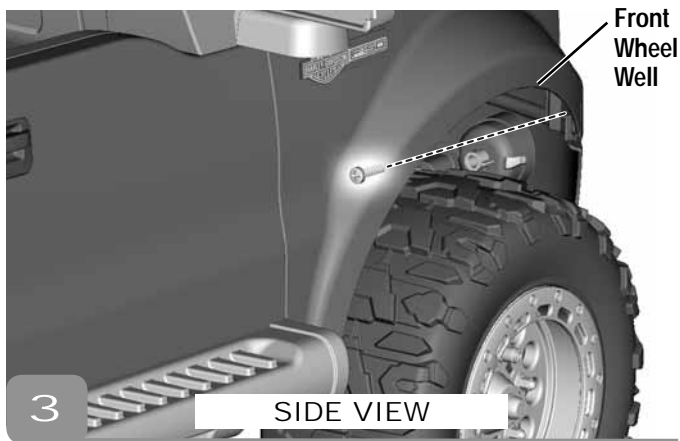


1

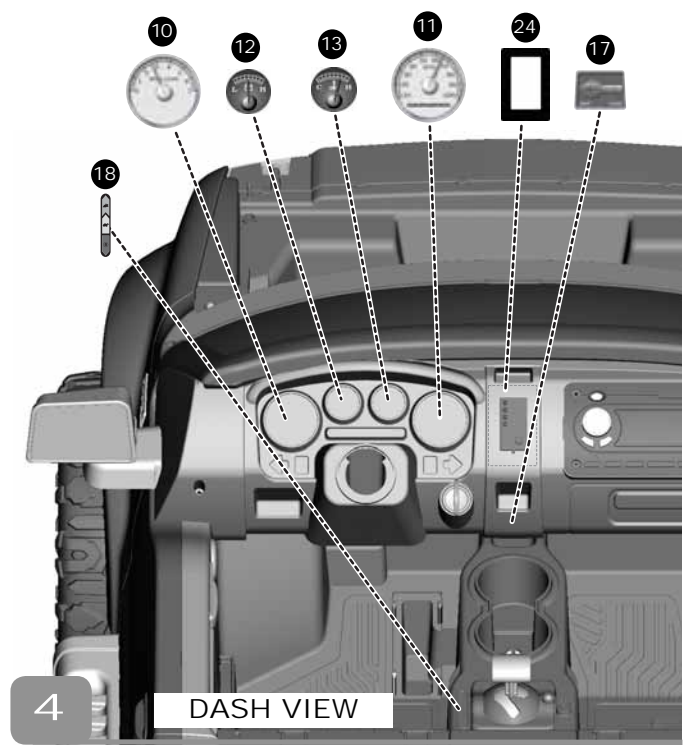
- Fit the front grille to the vehicle, as shown.
- Be sure the tabs on both ends of the grille fit into the groove in each fender.



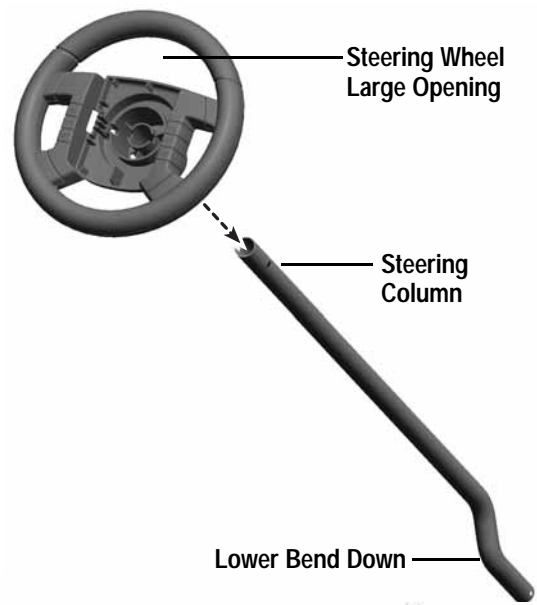
- 2
- Insert four screws into the top of the front grille and tighten.
- Hint: You may need to push the ends of the front grille to insert and tighten the outer screws and push the center of the front grille to insert and tighten the middle screws.*



- 3
- Insert a screw through **both** front wheel wells and into the front grille. Tighten the screws.

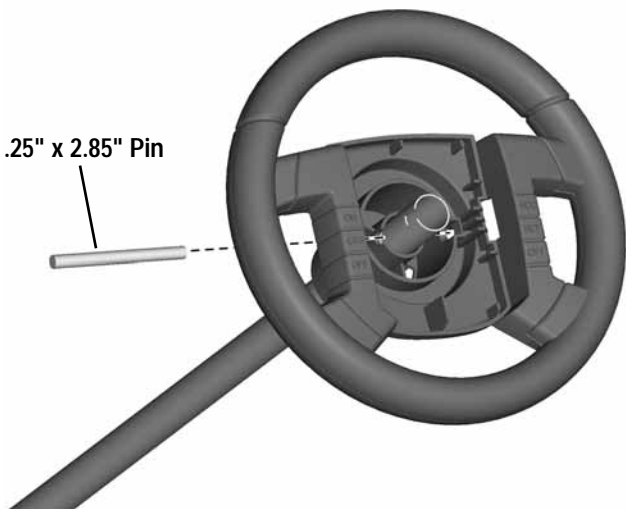


- 4
- Before applying the labels, wipe the surface of the vehicle with a clean, dry cloth to remove any dust or oils.
 - Place the labels exactly as shown in the illustration. For best results, avoid repositioning a label once it has been applied to the vehicle.



- 5
- Wipe the steering column with a paper towel to remove any excess lubricant.
 - Position the steering wheel so that the **large opening is upright**.
 - Position the steering column with the **lower bend down**, as shown.
 - Fit the steering wheel onto the steering column.

.25" x 2.85" Pin



6

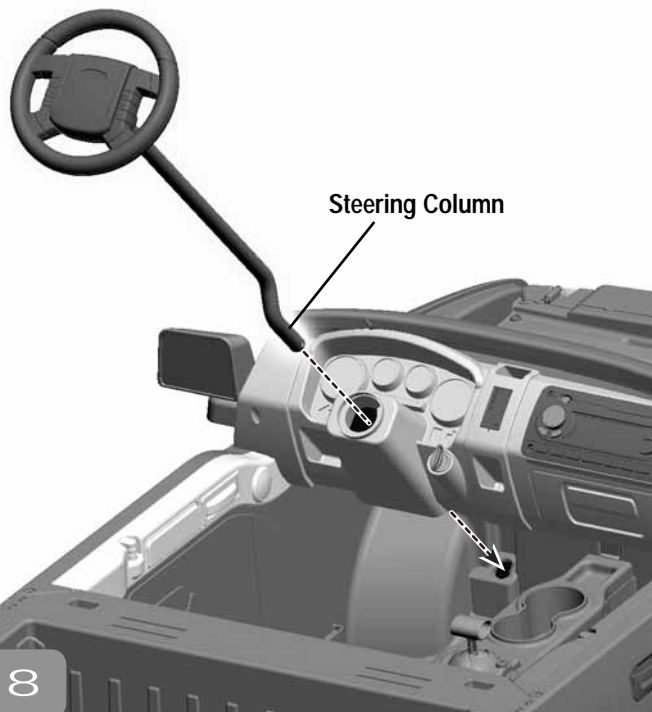
- Align the hole in the steering wheel with the hole in the steering column.
- Insert the .25" x 2.85" pin **all the way through** the hole in the side of the steering wheel and into the steering column, as shown.

Steering Wheel Cover



7

- "Snap" the steering wheel cover onto the steering wheel.
- Hint: If the steering wheel cover does not "snap" onto the steering wheel, you have not properly assembled the steering column to the steering wheel. Remove the pin and the steering column from the steering wheel and refer back to Assembly steps 5 and 6.*

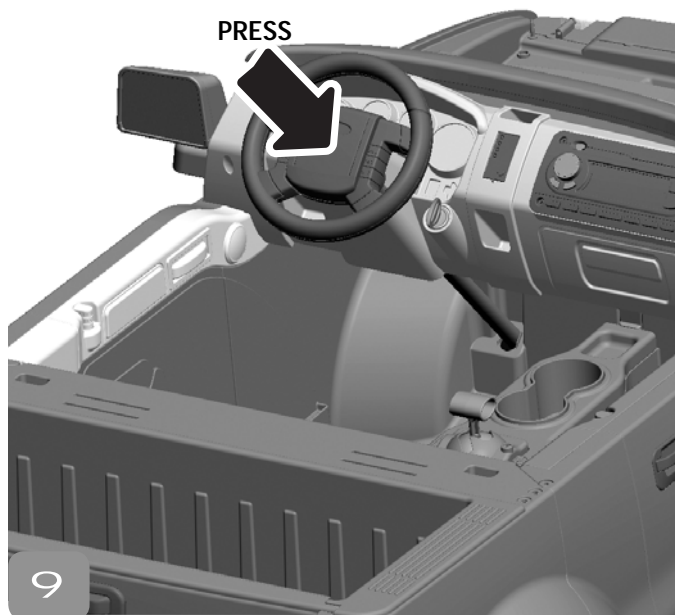


8

- Insert the end of the steering column down through the opening in the dash and down through the hole in the vehicle floor.

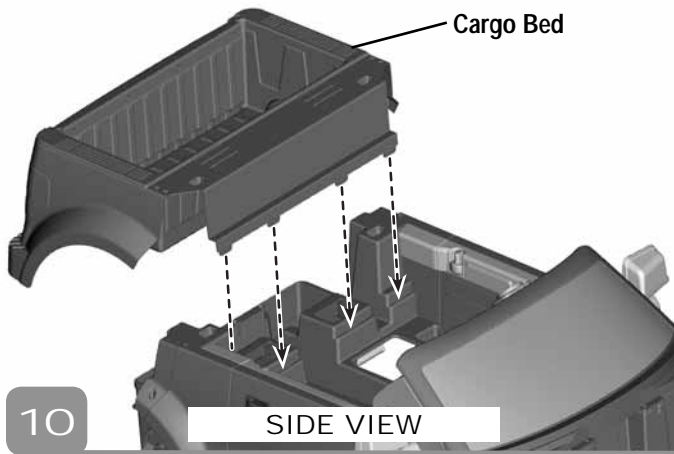
Hint: You may need to turn the steering column to fit it through both openings.

PRESS

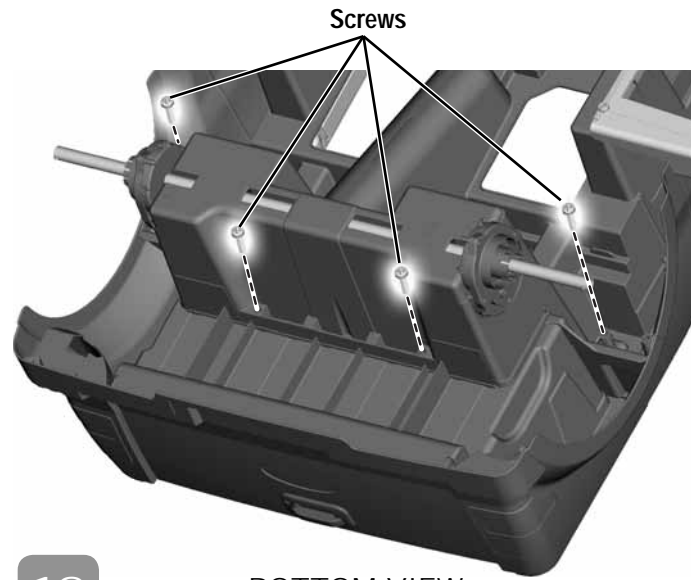


9

- Press the steering wheel down to "snap" into place.



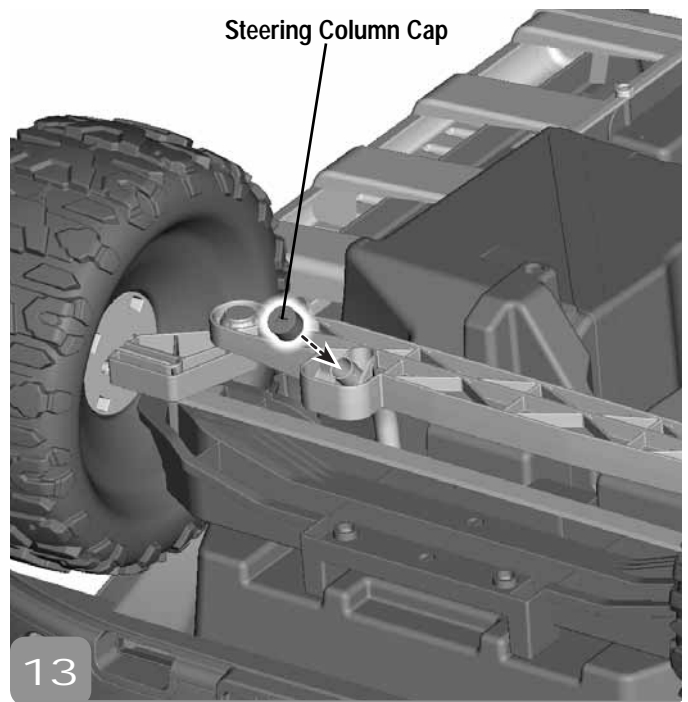
- Fit the cargo bed onto the back of the vehicle as shown. The four tabs on the cargo bed should fit into slots in the vehicle.



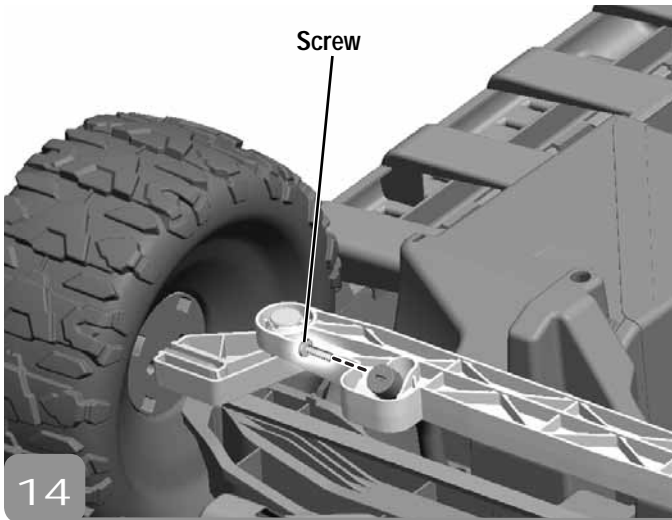
- Carefully turn the vehicle over.
- Insert four screws into the underside of the vehicle and into the cargo bed. Tighten the screws.



- Insert a screw up through both rear wheel wells and into the cargo bed. Tighten the screws.
- Hint:** You may need the help of another adult to hold the cargo bed in place if you need to tip the vehicle slightly to tighten each screw.

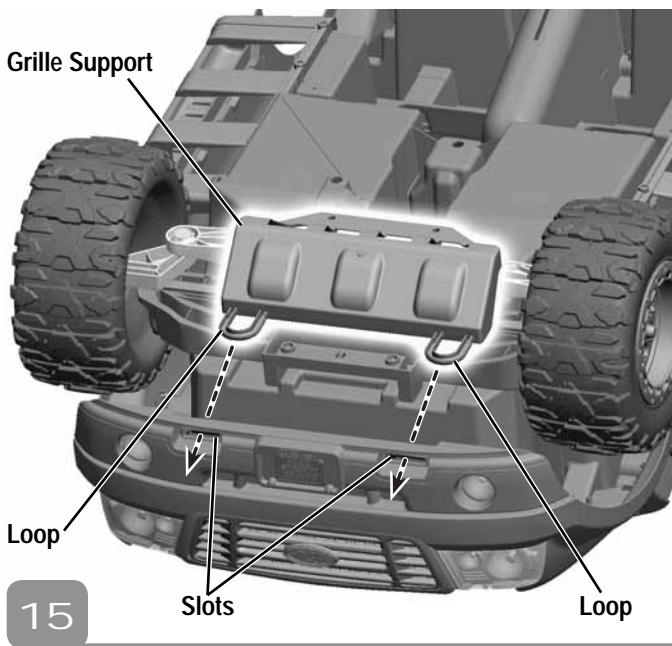


- Fit the steering column cap onto the end of the steering column.



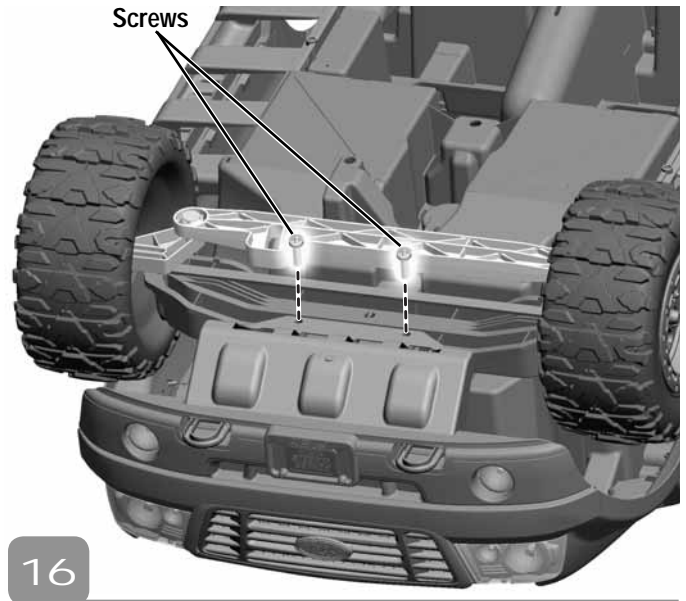
14

- Insert a screw through the large opening in the steering column cap and the hole in the steering column. Tighten the screw.



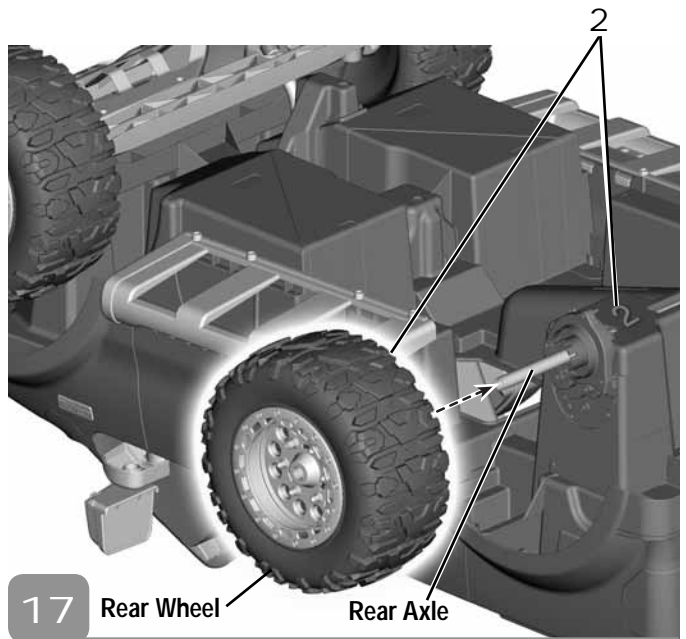
15

- Fit the loops on grille support through the slots in the grille. Push to "snap" the loops in place.



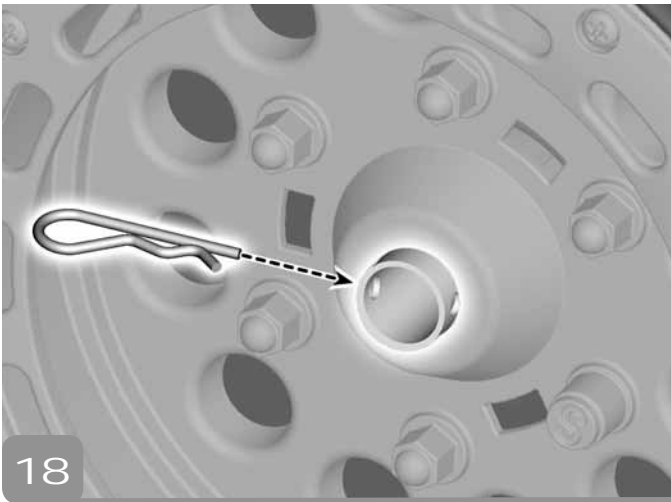
16

- Fit the pegs on the underside of the grille support into the receptacles on the vehicle.
- Insert two screws into the grille support and tighten.

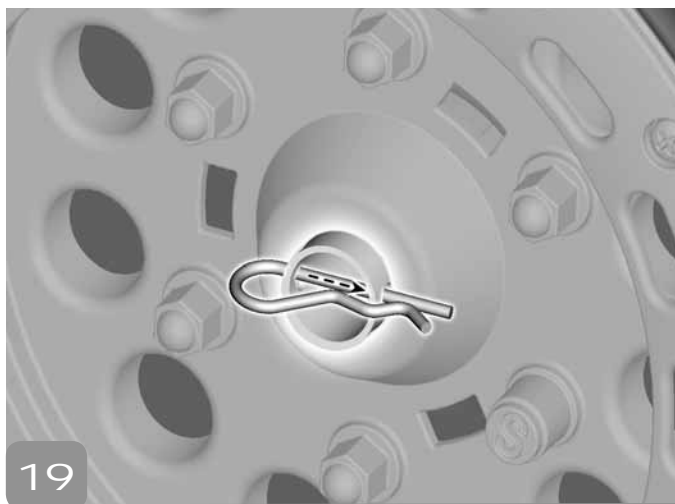
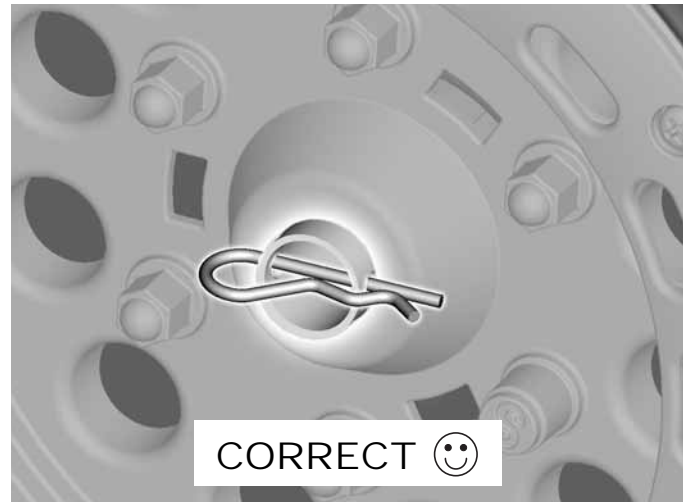


17

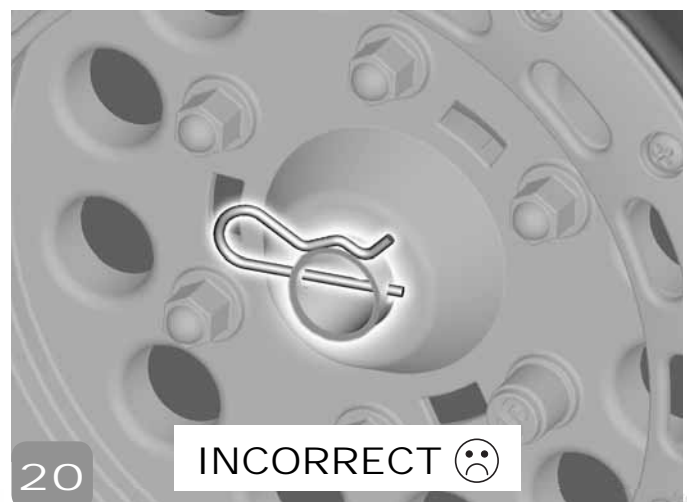
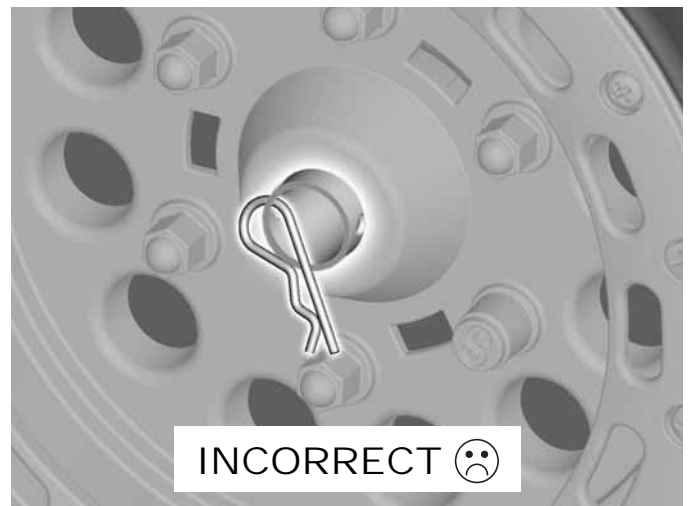
- Slide a rear wheel onto the rear axle.
- Hint:** Note the number on the inside of the wheel and on the bottom of the vehicle near the rear axle. The rear wheel with a 1 should match the 1 on the vehicle and the rear wheel with a 2 should match the 2 on the vehicle.



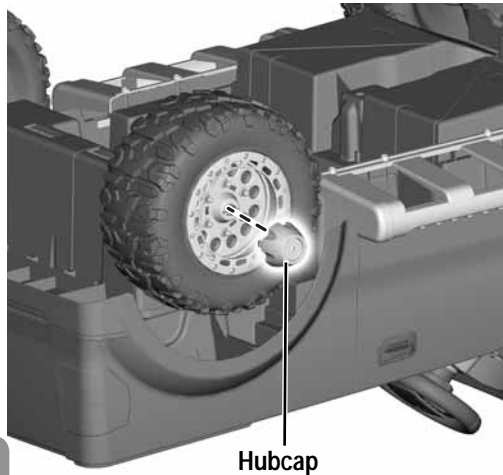
- Position the wire clip so that the wavy side is out.
- Insert the straight side of the clip through the hole in the axle.



- Slide the clip so that the straight end goes through the other hole in the axle.
- Make sure the **straight end** of the clip is through **both** holes in the axle.



- If the clip is upside down or not through both holes in the axle, you have not assembled it properly. Please remove the clip and go back to step 18.



21

Hubcap

- Align the tabs on a hubcap with the slots in a rear wheel. “Snap” a hubcap into the center of the rear wheel.

Hint: If the hubcap does not “snap” into place, you may not have assembled the wire clip properly. Remove the wire clip and refer back to step 18.

- Repeat steps 17 - 21 to assemble the other rear wheel, wire clip and hubcap.

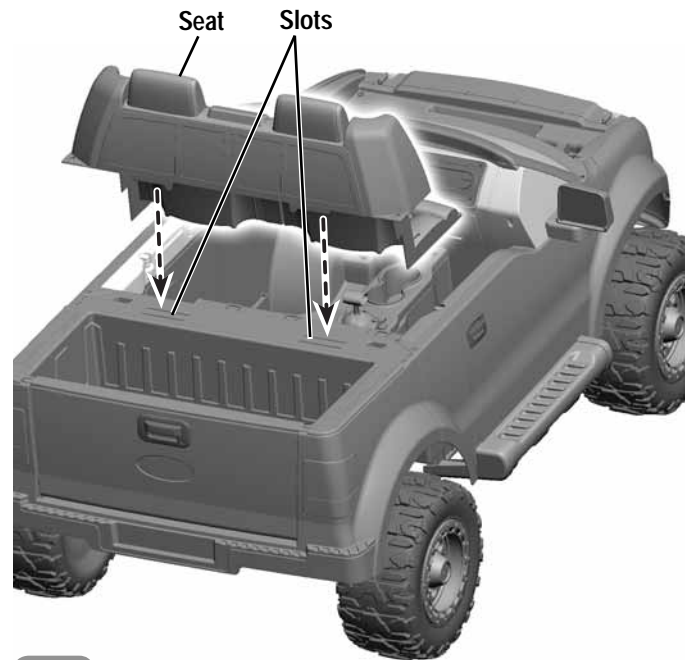


22

- Insert the “T” fastener end of a short seat belt strap through the slot near the outer edge of the seat. Make sure the fastener side of the seat belt faces inward.

Note: You will pull only one T-Loop through the slot.

- Repeat this procedure to assemble the other short seat belt strap.
- Insert each fastener end of the long seat belt strap through the slots in the center of the seat. Make sure the fasteners face the outer edge of the seat.
- Pull each side of the long seat belt strap evenly through the slots. Make sure to pull each T-loop through a slot.



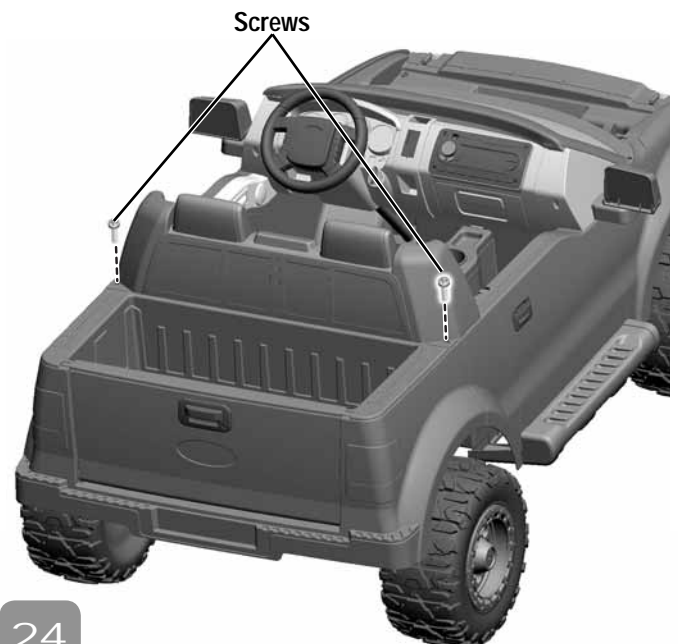
23

BACK VIEW

- Turn the vehicle upright.

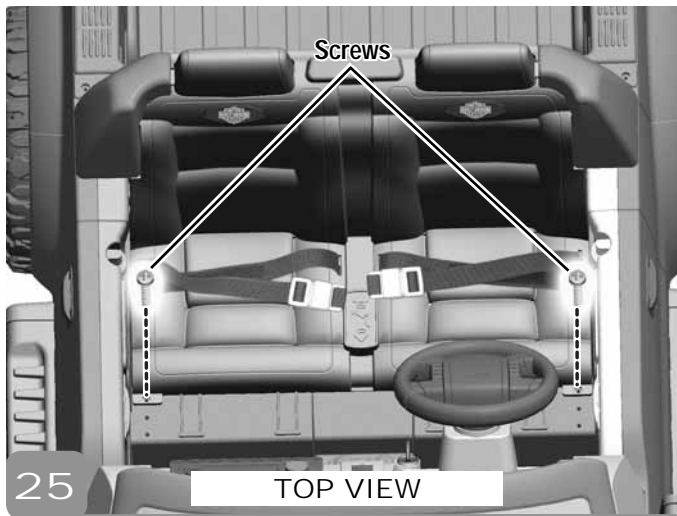
Note: The seat is adjustable and has three positions. You can move the seat back as your child grows.

- Insert both tabs on the back edge of the seat into one of the sets of slots inside the bed.
- Choose the slots closest to the dash for shorter drivers and the slots furthest from the dash for taller drivers.

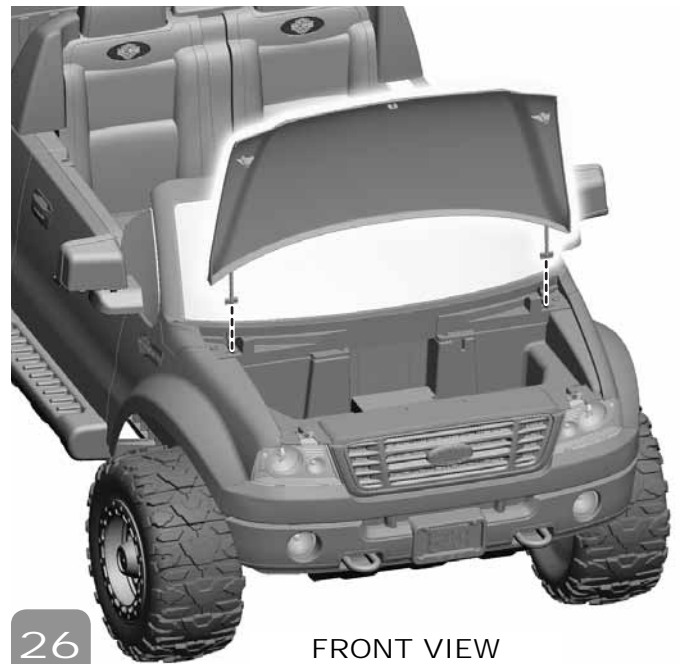


24

- Insert two screws through the back of the seat and into the vehicle. Tighten the screws.

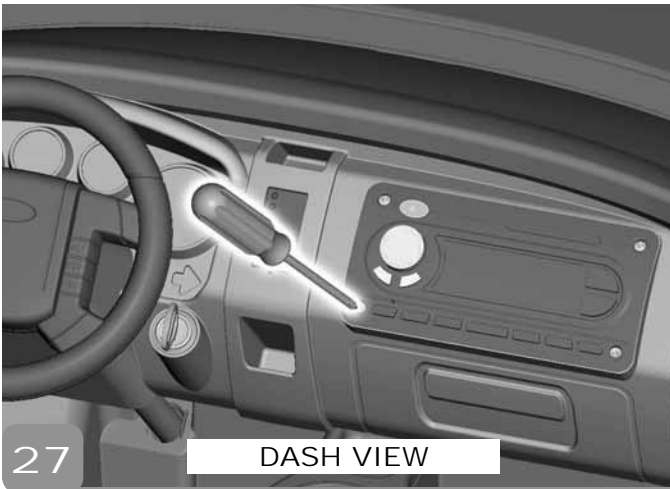


- Insert two screws into the tabs on the front edge of the seat and tighten.



- Fit the long tabs on the hood into the slots in the front end of the vehicle.
- Pull the hood forward and lower.

Note: The hood is held down by magnets. Simply lift to open the hood. Do not use around items that are sensitive to or affected by magnetic fields.



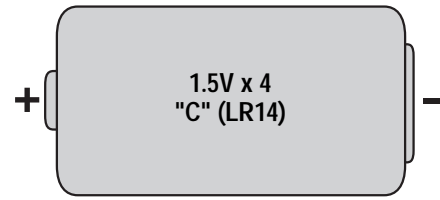
- Locate the radio on the dash.
- Loosen the screws in the radio cover and remove it.
- Insert four "C" (LR14) **alkaline** batteries

Hint: We recommend using **alkaline** batteries for longer battery life.

- Replace the radio cover and tighten the screws.
- When sounds become faint or stop, it's time for an adult to change the batteries!



- Protect the environment by not disposing of this product with household waste (2002/96/EC). Check your local authority for recycling advice and facilities (Europe only).



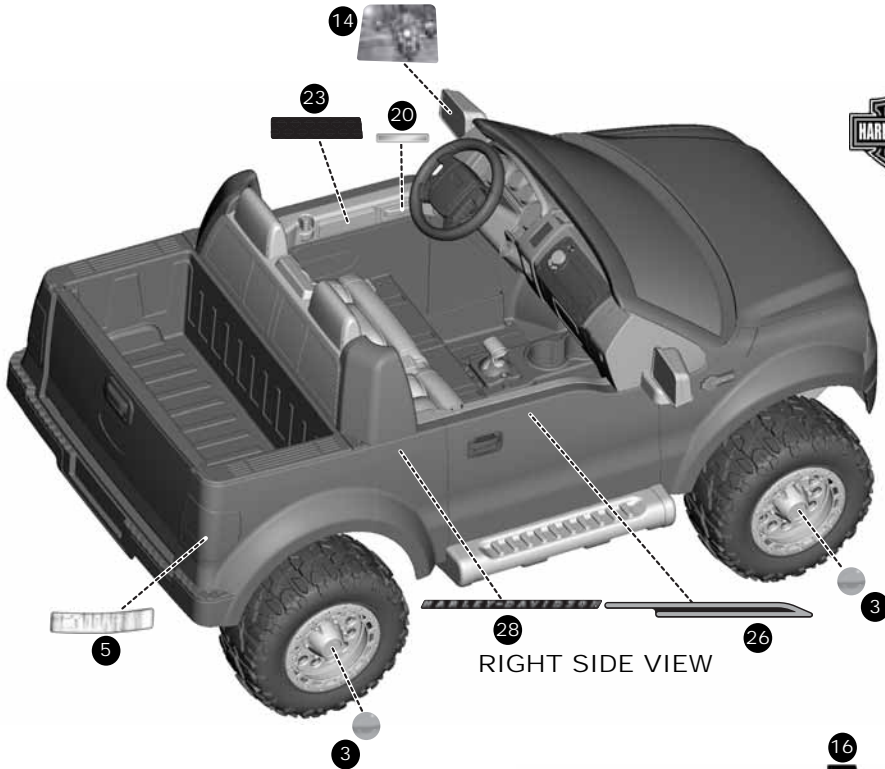
Battery Safety Information

In exceptional circumstances batteries may leak fluids that can cause a chemical burn injury or ruin your toy. To avoid battery leakage:

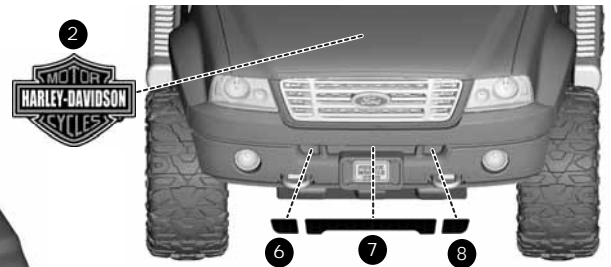
- Do not mix old and new batteries or batteries of different types: alkaline, standard (carbon-zinc) or rechargeable (nickel-cadmium).
- Insert batteries as indicated inside the battery compartment.
- Remove batteries during long periods of non-use. Always remove exhausted batteries from the toy. Dispose of batteries safely. Do not dispose of this product in a fire. The batteries inside may explode or leak.
- Never short-circuit the battery terminals.
- Use only batteries of the same or equivalent type, as recommended.
- Do not charge non-rechargeable batteries.
- Remove rechargeable batteries from the toy before charging.
- If removable, rechargeable batteries are used, they are only to be charged under adult supervision.

DECORATION

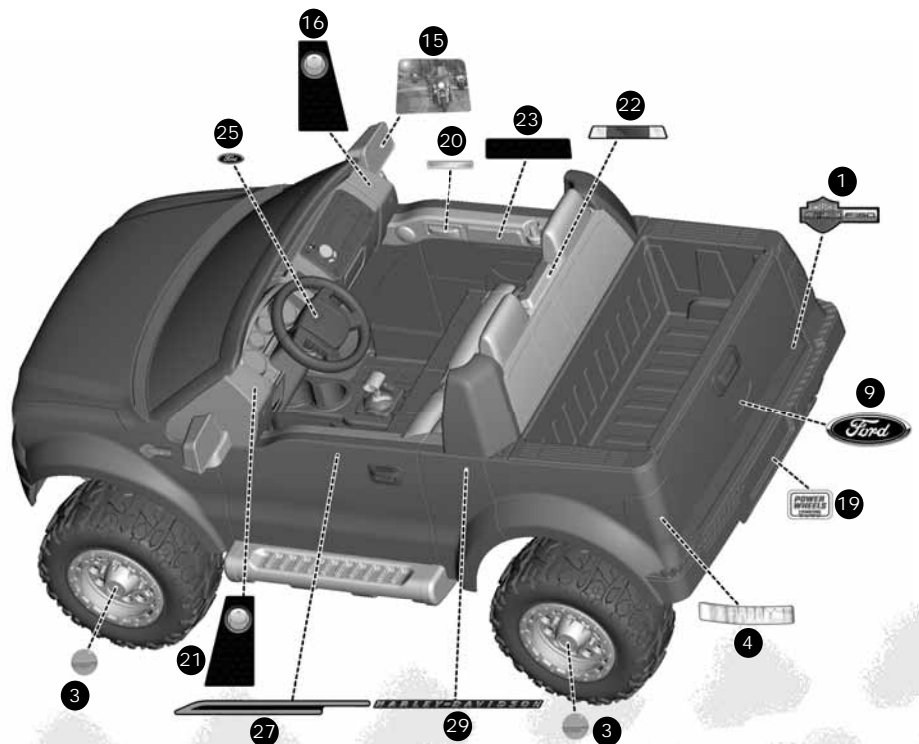
- Before applying the labels, wipe the surface of the vehicle with a clean, dry cloth to remove any dust or oils.
- Place the labels exactly as shown in the illustrations. For best results, avoid repositioning a label once it has been applied to the vehicle.
- After applying a label, rub the label firmly with a clean, dry cloth to make sure the label is adhered to your vehicle. Start at the center of a label, and smooth towards the outer edges to remove air bubbles.



RIGHT SIDE VIEW



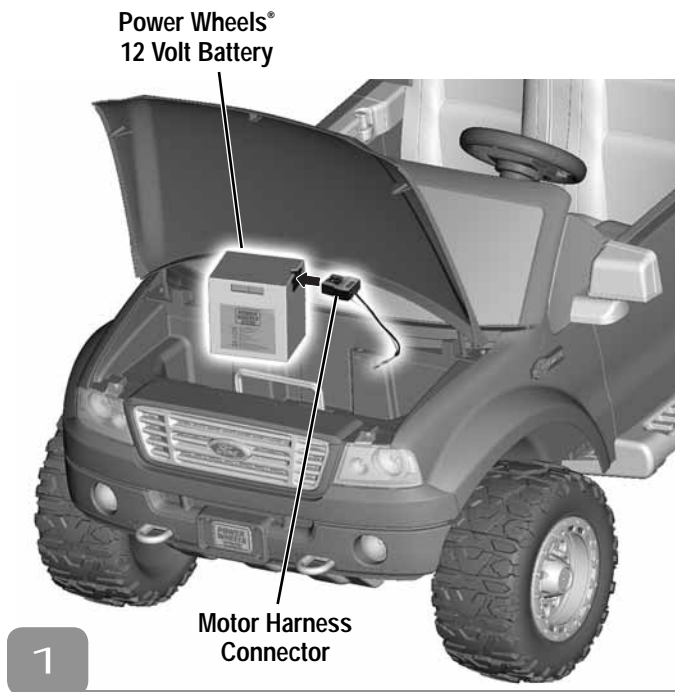
FRONT VIEW



LEFT SIDE VIEW

BATTERY INSTALLATION

IMPORTANT! Use only a Power Wheels® 12 volt lead-acid rechargeable battery with built-in thermal fuse. Use of any other battery will damage your vehicle. Make sure that you charge the battery for at least 18 hours using the enclosed Power Wheels® 12 volt charger before operating your vehicle for the first time. Charge the battery for at least 14 hours after each use of the vehicle. Never charge the battery longer than 30 hours. Failure to follow these instructions may damage your battery and will void your warranty.



- Lift the hood.
- Plug the motor harness connector into the battery.



- First lift and then slide the battery retainer toward you.
- Then, place the battery in the battery compartment. Make sure the battery retainer slides over the top of the battery.
- Close the hood.

BATTERY CARE AND DISPOSAL

Care

If a battery leak develops, avoid contact with the leaking acid and place the damaged battery in a plastic bag. See information below for proper disposal.

If acid comes in contact with skin or eyes, flush with cool water for at least 15 minutes and call a physician.

If acid is internally ingested, give water, milk of magnesia or egg whites immediately. Never give emetics or induce vomiting. Call a physician.

- Charge a new battery for at least 18 hours before first use. Never charge the battery longer than 30 hours. Overcharging or undercharging the battery may shorten battery life and decrease vehicle running time.
- After the first charge, recharge the battery for at least 14 hours after each use. Never charge the battery longer than 30 hours. Charge the battery after each use, regardless of how long the vehicle was used.
- The battery must be upright while charging.
- Do not allow the battery to run down completely before charging.
- Charge the battery before storing the vehicle.
- Charge the battery at least once per month, even if the vehicle has not been used.
- Leaving the battery in a discharged condition will ruin it.
- Always remove an exhausted battery from the vehicle. Battery leakage and corrosion can damage the vehicle.
- Do not store the battery on a surface (such as a kitchen counter top) which could be damaged by the acid contained inside the battery. Take precautions to protect the surface on which you store the battery.
- Do not store the battery in temperatures above 75° F or below -10° F.
- Use only a Power Wheels® 12 volt battery. Remember to charge the new battery for at least 18 hours before first use.
- Prevent the battery from moving freely inside the battery compartment. **Always use the battery retainer to secure the battery in the battery compartment.**
- Examine the battery, charger and their connectors for excessive wear or damage each time you charge the battery. If damage is detected, do not use the charger or the battery until you have replaced the worn or damaged part.

Disposal



- Your Power Wheels® battery is a non-spillable, sealed lead-acid battery. It must be recycled or disposed of in an environmentally sound manner.
- Do not dispose of a lead-acid battery in a fire. The battery may explode or leak.
- Do not dispose of a lead-acid battery in your regular, household trash. The incineration, landfilling or mixing of sealed lead-acid batteries with household trash is prohibited by law in most areas.
- Protect the environment by not disposing of this product with household waste (2002/96/EC). Check your local authority for recycling advice and facilities (Europe only).
- Return an exhausted battery to a federal or state approved lead-acid battery recycler, such as a Power Wheels® authorized service center or a local seller of automotive batteries. For the authorized service center location nearest to you, please visit us on-line at www.powerwheels.com or call 1-800-348-0751. Contact your local waste management officials for other information regarding the environmentally sound collection, recycling and disposal of lead-acid batteries. If you live in the State of Florida or the State of Minnesota, it is prohibited by law for anyone to throw away lead-acid batteries in the municipal waste stream.

SAFE DRIVING RULES

RIDING HAZARD

WARNING

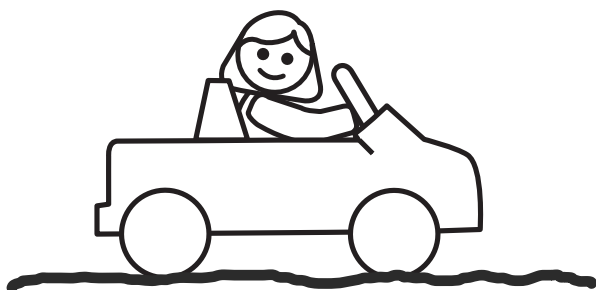
• Prevent Injuries and Deaths

- Direct Adult Supervision Required.
- Never Ride at Night.
- Keep Children Within Safe Riding Areas. These areas must be:
 - away from swimming pools and other bodies of water to prevent drownings
 - generally level to prevent tipovers
 - away from steps, steep inclines, cars, roads and alleys.

• Riding Rules

Make sure children know and follow these rules for safe driving and riding.

- Always sit on the seat.
- Always wear shoes.
- Only 2 (two) riders at a time.
- Never ride in cargo bed.



Restrict your child's driving to areas that are generally level.

Teach Safety Rules to Children

While children can quickly develop the skill necessary to drive this vehicle, it is important to remember that their judgment skills are still very immature. Unsupervised driving by children can lead to serious injury. Before children use this vehicle, an adult should carefully evaluate the driving area as well as the children's skill level and ability to drive this vehicle safely. Children are not always able to recognize or anticipate hazards, even when they have been taught about them. There is no acceptable substitute for direct adult supervision.

Teach appropriate safety rules to your child before allowing operation of this vehicle. These rules should also be reviewed with neighborhood children or other playmates who want to drive this vehicle.

Riding Rules

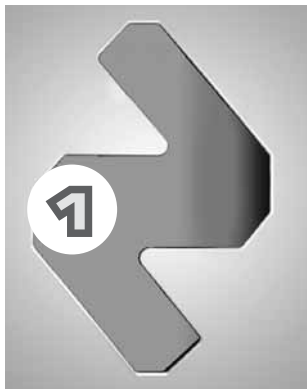
Make sure children know and follow these rules for safe driving:

1. Always sit on the seat.
2. Always wear shoes.
3. Only 2 (two) riders at a time. A child who is not sitting on the seat or who is standing on the vehicle could fall off, cause a tip-over or block the driver's view. A child could be seriously injured.
4. Never ride in the cargo bed. Cargo bed weight limit is 25 lbs (11.3 kg).
5. Do not allow any child to drive the vehicle in the street or near moving (motorized) vehicles.
6. Do not allow any child to drive near bodies of water (such as pools or creeks), obstructions (such as furniture, low tree limbs or play equipment), or drop-offs (such as stairs or decks).
7. Do not allow any child to drive the vehicle in the dark. A child could encounter unexpected obstacles and have an accident. Operate the vehicle only in the daytime or a well-lit area.
8. Teach your child to avoid driving on steep inclines or slopes. Restrict your child's driving to areas that are fairly level with gentle inclines or slopes.
9. Do not allow your child to drive down or across a steep slope.
 - The vehicle may gain unsafe speed, even if the pedal is released to stop.
 - The vehicle may tilt and tip over.
 - The wheels could lose traction, causing the vehicle to slip.
10. Do not allow your child to drive up steep inclines. The motor may stop and the vehicle could roll backwards at an unsafe speed.
11. Never put anything near any moving parts. Rotating parts such as motors, gear boxes and wheels can snag fingers, hair, etc., causing serious injury. Do not allow operation of the vehicle when it is on its side or in an upside-down position.
12. Do not operate the vehicle near flammable vapors (gasoline, paint thinner, acetone, liquid wax, etc.). The vehicle's electrical switches, like most electrical switches, emit an internal spark when first turned on or turned off. The presence of flammable liquids or vapors could cause an explosion or a fire. Keep all flammable products in tightly sealed containers and away from the vehicle.
13. Do not allow a child to operate the vehicle without direct adult supervision. To prevent unsupervised use of the vehicle, disconnect the motor harness from the battery when the vehicle is not in use.

VEHICLE OPERATION

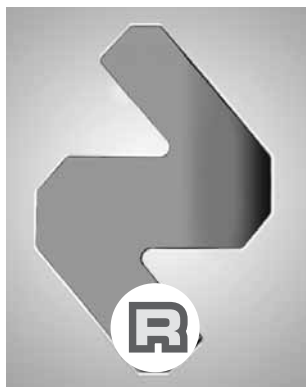
As assembled, your vehicle is ready to roll in low speed (2½ mph, maximum). After your child has mastered the basic skills of driving and understands the rules for safe driving, it's time to remove the high speed lock-out screw to allow the vehicle to operate in low or high speed. See the instructions on this page to remove the high speed lock-out screw.

Low Speed



- Make sure the shifter is in the low speed **1** position .
- Press down on the foot pedal. The vehicle moves forward at a maximum of 2½ mph. Help your child practice steering to learn how far and how quickly to turn the steering wheel when driving forward in low speed.

To Back Up



IMPORTANT! To avoid damaging the motors and gears, stop the vehicle before shifting from forward to reverse.

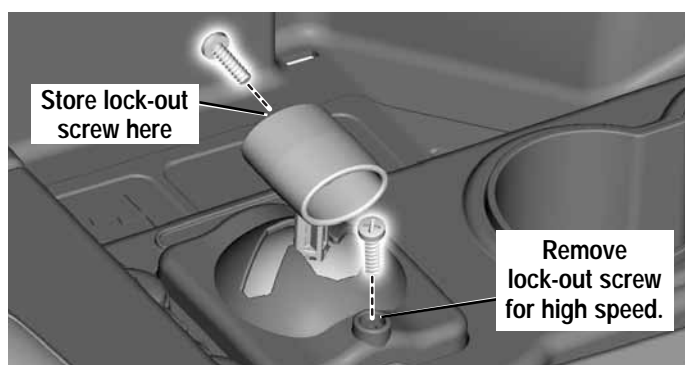
- Once your child is completely comfortable with operating the vehicle in the forward mode, introduce reverse.
- Make sure the shifter is in the reverse **R** position.
- Press down on the foot pedal. The vehicle will go in reverse at a maximum of 2½ mph. The vehicle is designed to operate in **low speed only in reverse**. Help your child practice steering to learn how far and how quickly to turn the steering wheel when driving in reverse.

STOP!

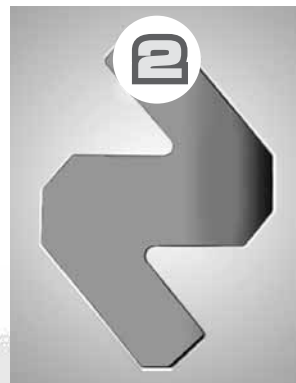


- Your vehicle has a patented, electronic braking system that automatically stops the vehicle when your child's foot lifts from the pedal.
- Make sure your child is comfortable with steering the vehicle and automatically knows how to stop.

High Speed

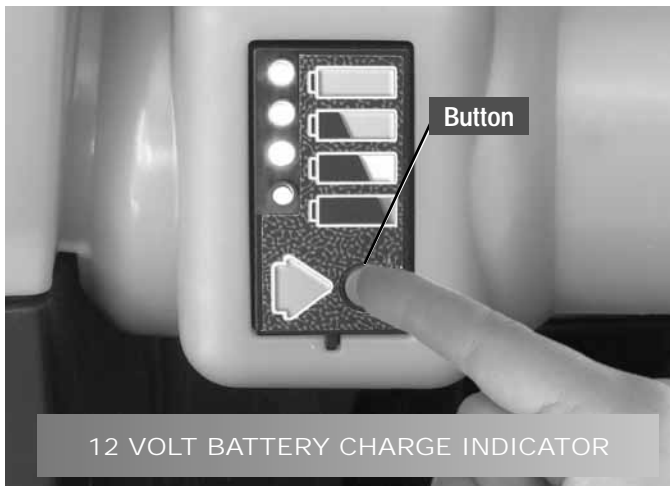


- Before you disconnect the high speed lock-out, make sure your child knows how to steer, how to start and stop the vehicle and knows the rules for safe driving. When the high speed lock-out is disconnected, the vehicle can be driven forward in low speed (2½ mph, maximum) or high speed (5 mph, maximum).
- Make sure the shifter is in the low speed **1** position.
- Loosen and remove the screw in the shifter base.
- Place the lock-out screw into the hole in the shifter handle for future use. It can be re-inserted into the shifter base to lock-out high speed.



- Make sure the shifter is in the high speed **2** position.
- Press down on the foot pedal. The vehicle moves forward at a maximum of 5 mph. Help your child practice steering to learn how far and how quickly to turn the steering wheel when driving forward in high speed.

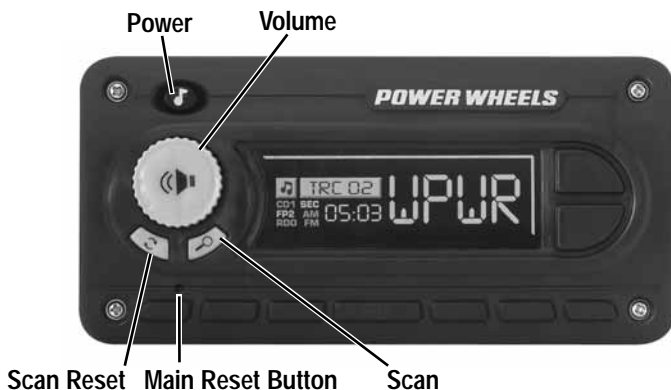
CHARGE INDICATOR



- Press the 12 volt battery charge indicator button to check the power level of your battery:
 - All four lights means the 12 volt battery is 100% (fully) charged.
 - Three lights means the 12 volt battery is 75% (mostly) charged.
 - Two lights means the 12 volt battery is 50% charged. We recommend recharging your battery for 14 hours.
 - One or no lights means the 12 volt battery needs charging. Fully charge your battery for 14 hours.

Hint: For the most accurate reading, do not press the battery charge indicator while the vehicle is moving.

FM RADIO

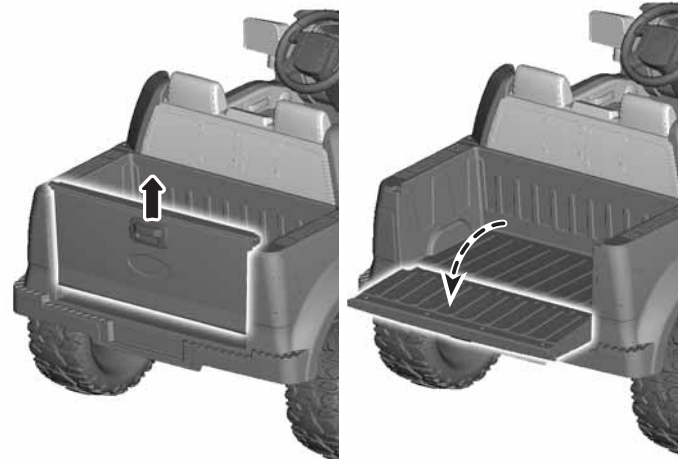


- Press the power button to turn on or off.
- Turn the volume dial to adjust to a comfortable listening level.
- Press the scan button to find a station.
- Press the scan button again to go to the next station.
- To reset the radio to the first station (88.5), press the scan reset button .
- FM Radio reception varies from area to area. If the tuned station is lost due to poor reception, the radio automatically scans to the next station with good reception.

Hint: The FM Radio will turn off automatically after several minutes of non-use. Each time power is turned off and back on, the FM Radio will reset to 88.5.

IMPORTANT! If the FM Radio functions erratically, press the main reset button with the point of a pen (or similar object).

CARGO BED



- Lift and lower the tailgate to open.
- To close the tailgate, lift and lower it back in place.

Note: Cargo bed weight limit is 25 lbs (11.3 kg).

VEHICLE CARE

- Check all screws regularly and tighten as required. Check plastic parts on a regular basis for cracks or broken pieces.
- During snowy or rainy weather, the vehicle should be stored inside or under a protective cover. Remember to charge the battery at least once per month while your vehicle is not in regular use.
- An extremely dirty vehicle can be rinsed with a hose but avoid spraying directly into switches, motors and battery compartment. Water or moisture in the motors or electrical switches can cause them to corrode, and could cause switch or motor failure.
- Avoid operating the vehicle on sand. Sand in the motors or electrical switches can cause them to jam, and could cause switch or motor failure.
- The vehicle can be wiped down with a soft, dry cloth. For a shiny finish, you can wipe plastic parts with a non-wax furniture polish applied to a soft-cloth. Do not use automotive wax.
- To ensure that your vehicle stays in good operating order, we recommend that you periodically have your vehicle checked by a Power Wheels® authorized service center. For the location of the authorized service center nearest you, please visit us on-line at www.powerwheels.com or call 1-800-348-0751.


PROBLEMS AND SOLUTIONS

IMPORTANT! If you experience a problem with your vehicle, first check the Problems and Solutions Guide below. If you still experience a problem, please contact Power Wheels® Consumer Relations, toll-free at **1-800-348-0751** between 9 AM - 7 PM (EST) Monday through Friday and 11 AM - 5 PM (EST) Saturday. Or, contact your local Power Wheels® authorized service center. For the location nearest you, please visit us on-line at www.powerwheels.com, or call **1-800-348-0751**.

PROBLEM	POSSIBLE CAUSE	SOLUTION
Vehicle does not run	Undercharged battery	<p>Charge the battery. A new battery should have been charged for at least 18 hours before using the vehicle for the first time. After first-time use, recharge the battery for at least 14 hours after each use. Never charge the battery longer than 30 hours.</p> <p>Check all connectors. Make sure the charger connector is plugged into the battery, and that the charger is plugged into the wall.</p> <p>Make sure power flow to the wall outlet is "ON".</p>
	Charger is not working	There is no sure way to tell if your charger is working unless you have a volt meter. If you suspect there is a problem with your charger, contact your local Power Wheels® authorized service center. They can test your charger for you.
	Tripped thermal fuse	The built-in thermal fuse may "trip" and shut down operation of the vehicle if the vehicle is overloaded or the driving conditions too severe. Once a fuse has "tripped", remove your foot from the pedal and wait approximately 25 seconds before operating the vehicle again. To avoid repeated automatic shutdowns, do not overload the vehicle by exceeding the 130 lbs. (59 kg) maximum weight capacity or by towing anything behind the vehicle. Do not drive up hills or run into fixed objects, which can cause the wheels to stop spinning while power is still being supplied to the motors. If a thermal fuse continually trips, contact your local Power Wheels® authorized service center.
	Loose wire or loose connectors	Check all wires and connectors. Make sure the motor harness connector is plugged into the battery, and that there are no loose wires around the motors.
	Dead battery	If your battery is old or if you have not followed Battery Care instructions, your battery may be dead. If you are unsure whether or not the battery is dead, you can have it tested at your local Power Wheels® authorized service center.
	Electrical switch damage	The electrical switches can become corroded due to exposure to water or moisture, or can jam due to loose dirt, sand or gravel. Contact your local Power Wheels® authorized service center for diagnosis and repair.
	Motor damage	Contact your local Power Wheels® authorized service center for diagnosis and repair.

PROBLEM	POSSIBLE CAUSE	SOLUTION
Vehicle was running but suddenly stopped	Loose wire or loose connectors	Check all wires and connectors. Make sure the motor harness connector is plugged into the battery, and that there are no loose wires around the motors.
	Tripped thermal fuse	The built-in thermal fuse may "trip" and shut down operation of the vehicle if the vehicle is overloaded or the driving conditions too severe. Once a fuse has "tripped", remove your foot from the pedal and wait approximately 25 seconds before operating the vehicle again. To avoid repeated automatic shutdowns, do not overload the vehicle by exceeding the 130 lbs. (59 kg) maximum weight capacity or by towing anything behind the vehicle. Do not drive up hills or run into fixed objects, which can cause the wheels to stop spinning while power is still being supplied to the motors. If a thermal fuse continually trips, contact your local Power Wheels® authorized service center.
Short run time (Less than 1 - 3 hours per charge)	Undercharged battery	Charge the battery. A new battery should have been charged for at least 18 hours before using the vehicle for the first time. After first-time use, recharge the battery for at least 14 hours after each use. Never charge the battery longer than 30 hours.
		Check all wires and connectors. Make sure the charger connector is plugged into the battery, and that the charger is plugged into the wall.
		Make sure power flow to the wall outlet is "ON".
	Overcharged battery	Do not charge the battery longer than 30 hours. If you suspect that your battery is damaged as a result of overcharging, contact your local Power Wheels® authorized service center. They can test your battery for you.
	Battery is old and will not accept full charge	Even with proper care, a rechargeable battery does not last forever. Average battery life is 1 to 3 years depending on vehicle use and use conditions. Replace the battery with a new Power Wheels® 12 volt battery. Do not substitute parts.
Tripped thermal fuse	The built-in thermal fuse may "trip" and shut down operation of the vehicle if the vehicle is overloaded or the driving conditions too severe. Once a fuse has "tripped", remove your foot from the pedal and wait approximately 25 seconds before operating the vehicle again. To avoid repeated automatic shutdowns, do not overload the vehicle by exceeding the 130 lbs. (59 kg) maximum weight capacity or by towing anything behind the vehicle. Do not drive up hills or run into fixed objects, which can cause the wheels to stop spinning while power is still being supplied to the motors. If a thermal fuse continually trips, contact your local Power Wheels® authorized service center.	

PROBLEM	POSSIBLE CAUSE	SOLUTION
Vehicle runs sluggishly	Undercharged battery	Charge the battery. A new battery should have been charged for at least 18 hours before using the vehicle for the first time. After first-time use, recharge the battery for at least 14 hours after each use. Never charge the battery longer than 30 hours.
		Check all connectors. Make sure the charger connector is plugged into the battery, and that the charger is plugged into the wall.
		Make sure power flow to the wall outlet is "ON".
	Battery needs charging	Be sure to charge the battery after each use.
	Battery is old and will not accept full charge	Even with proper care, a rechargeable battery does not last forever. Average battery life is 1 to 3 years depending on the vehicle use and use conditions. Replace the battery with a new Power Wheels® 12 volt battery. Do not substitute parts.
	Vehicle is overloaded	Make sure you do not overload the vehicle by allowing more than one rider at one time, by exceeding the 130 lb. (59 kg) maximum weight capacity, or by towing objects behind the vehicle.
	Driving conditions are too stressful	Restrict your child's driving to areas that are generally level with gentle inclines or slopes.
Vehicle runs in low speed, but does not run in high speed. Please note: The vehicle is designed to operate in low speed only in reverse R .	High speed lock-out not disconnected	The vehicle was pre-set to run only in low speed. To allow the vehicle to run in low and high speed, you must disconnect the High Speed Lock-Out. Follow the instructions on page 21 to remove the High Speed Lock-Out screw.
When the foot pedal is pressed one rear wheel spins	Operation of vehicle in low speed	It is possible that only one rear wheel may spin when both rear wheels are raised off the ground and the vehicle is in low speed. This does not necessarily indicate a problem. Check for proper operation of the drive system by raising the rear wheels off the ground and pressing the foot pedal. If only one rear wheel spins, carefully press your hand on the spinning wheel to slow it down. The other rear wheel should begin to spin. If the other rear wheel does not begin to spin, there may be a problem with the vehicle. Contact your local Power Wheels® authorized service center for diagnosis and repair.
Sometimes the vehicle doesn't run, but other times it does	Loose wire or connector	Check all wires around the motors and all connectors to make sure they are tight.
	Motor or electrical switch damage	Contact your local Power Wheels® authorized service center for diagnosis and repair.
When the go foot pedal is pressed, the vehicle won't run without a push	Loose wire or connector	Check all wires around the motors and all connectors to make sure they are tight.
	"Dead Spot" on motor	Contact your local Power Wheels® authorized service center for diagnosis and repair.
Battery's thermal fuse constantly "trips", but the vehicle is not overloaded nor the driving conditions too severe	Damaged battery	Contact your local Power Wheels® authorized service center for diagnosis and repair.
	Child is switching between FORWARD and REVERSE without stopping	Teach your child to stop the vehicle before switching direction.

PROBLEM	POSSIBLE CAUSE	SOLUTION
Loud clacking or grinding noise from a motor-gearbox	Broken gears	Contact your local Power Wheels® authorized service center for diagnosis and repair.
Charger gets warm during use	It is normal for some chargers to get warm during use and is not reason for concern.	No action required.
		If your charger does not get warm during use, it does not mean that it is not working properly.
Battery makes a sizzling or gurgling noise when charging	It is normal for some batteries to make noise and swell slightly while charging and is not reason for concern.	No action required.
		If your battery does not make noise or swell slightly during charging, it does not mean that it is not accepting the charge.
FM Radio does not function	Power is off	Power automatically turns off after several minutes of non-use. Press the power button  to turn it back on.
	Batteries are weak or dead	Replace all four batteries with four, new "C" (LR14) alkaline batteries.
FM Radio station changes automatically	Poor reception	You may find better reception of a particular station in a different location.
	Power was turned off and the radio reset back to the first station	Use the scan button to reset to your favorite station.
FM Radio functions erratically	Electronic lock-up	Press the main reset button on the front of the unit with the point of the pen (or similar object).

FCC STATEMENT (United States Only)

This equipment has been tested and found to comply with the limits for a Class B digital device, pursuant to Part 15 of the FCC Rules. These limits are designed to provide reasonable protection against harmful interference in a residential installation. This equipment generates, uses and can radiate radio frequency energy and, if not installed and used in accordance with the instructions, may cause harmful interference to radio communications. However, there is no guarantee that interference will not occur in a particular installation. If this equipment does cause harmful interference to radio or television reception, which can be determined by turning the equipment off and on, the user is encouraged to try to correct the interference by one or more of the following measures:

- Reorient or relocate the receiving antenna.
- Increase the separation between the equipment and receiver.
- Consult the dealer or an experienced radio/TV technician for help.

Note: Changes or modifications not expressly approved by the manufacturer responsible for compliance could void the user's authority to operate the equipment.

LIMITED WARRANTY

Bumper-to-Bumper* Limited Warranty

**One year limited warranty from the date of purchase
on the Power Wheels® vehicle.**

Six month limited warranty on the 12 volt battery.

For the original purchaser, this one year limited warranty covers the Power Wheels® ride-on vehicle (purchased from Power Wheels®) against defects in materials and workmanship. The six month limited warranty applies only to the 12 volt battery included by Power Wheels® with the original purchase of the vehicle.

This warranty covers normal use and does not cover the Power Wheels® vehicle or battery if damaged by unreasonable use, neglect, accident, abuse, misuse, improper service or other causes not arising out of defects in materials or workmanship. Evidence of any attempt at consumer repair will void this warranty. THIS WARRANTY DOES NOT COVER, AND IS INTENDED TO EXCLUDE, ANY LIABILITY ON THE PART OF POWER WHEELS®, WHETHER UNDER THIS WARRANTY OR IMPLIED BY LAW FOR ANY INDIRECT OR CONSEQUENTIAL DAMAGES FOR BREACH OF WARRANTY. SOME STATES DO NOT ALLOW THE EXCLUSION OR LIMITATION SO THIS LIMITATION MAY NOT APPLY TO YOU.

Should you need service or assistance with your vehicle during the warranty period, do not return the vehicle to the store. Power Wheels® has provided a nationwide network of authorized service centers. If there is not an authorized service center in your area, please visit us on-line at www.powerwheels.com or call Consumer Relations for information, 1-800-348-0751.

This warranty gives you specific legal rights, and you may also have other rights which may vary from state to state.

PLEASE SAVE YOUR ORIGINAL SALES RECEIPT.



**Before first-time use,
you must charge the battery
18 hours!**

Charge the battery immediately after each use.
Charge the battery once a month, even if the vehicle is not used or stored.

**Do not return
your vehicle to the store!**

? **CONSUMER ASSISTANCE**
Call toll free: 1-800-348-0751 (US & Canada only)
M-F 9AM to 7PM / SAT 11AM to 5PM (EST)

○ service.fisher-price.com

Write to us at: Fisher-Price® Consumer Relations,
636 Girard Avenue, East Aurora, New York 14052.
Hearing-impaired consumers using TTY/TDD equipment,
please call 1-800-382-7470.

Or contact your local **independently owned and operated**
Power Wheels® Authorized Service Center.
For the location nearest you, visit us on-line at www.powerwheels.com.



Harley-Davidson and the Harley-Davidson Bar & Shield logo are registered trademarks of H-D Michigan, Inc. used under license.



Ford Oval and F-150 are registered trademarks owned and licensed by Ford Motor Company.
Manufactured by Fisher-Price, Inc., a subsidiary of Mattel, Inc. www.ford.com

Fisher-Price, Inc., a subsidiary of Mattel, Inc., East Aurora, New York 14052 U.S.A.
©2007 Mattel, Inc. All Rights Reserved. ® and ™ designate U.S. trademarks of Mattel, Inc.