

ASge 636



Tapper



SERVICE

Tool service and maintenance must be performed only by qualified repair personnel.

When servicing a tool, only use identical replacement parts available from FEIN.

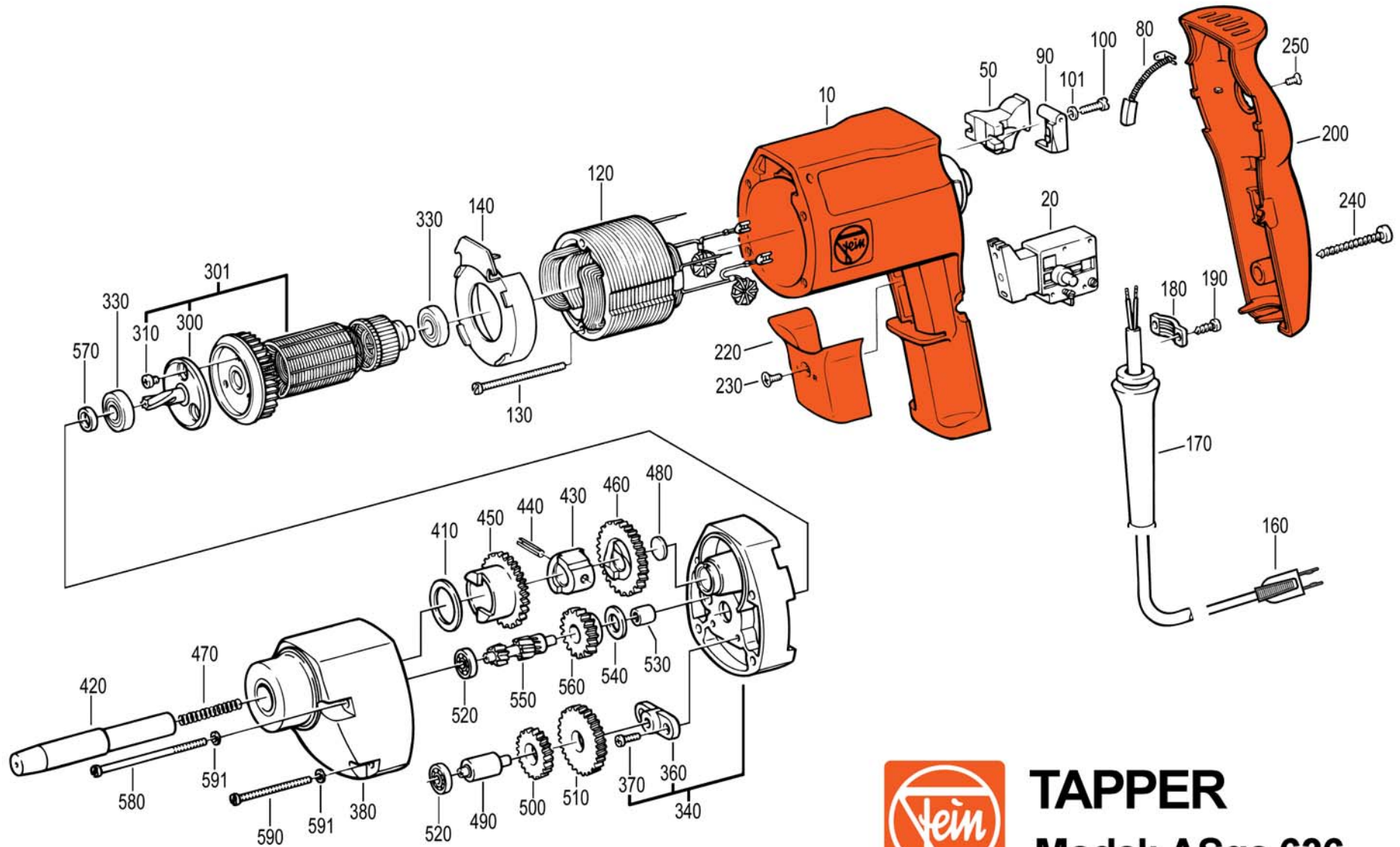
Repairs on FEIN Power Tools required the use of special tools (pulling devices and bearing press). Authorized repair centers have trained repair technicians and equipment necessary to perform these repairs. Service or repairs performed by unqualified persons could result in operator injury.

For the location of the repair center near you, please call 1-800-441-9878. Monday thru Friday, 9AM to 5PM EST. Or, look on our web site at www.feinus.com and follow the link to "Authorized Warranty Repair Centers"

**FEIN Power Tools
1030 Alcon Street
Pittsburgh, PA 15220**

Phone: 412-922-8886 Fax: 412-922-8767 Toll Free: 1-800-441-9878

November 24, 2003



TAPPER
Model: ASge 636

FEIN Power Tools

Asge 636 Parts List

<u>Item</u>	<u>Item Number</u>	<u>Description</u>	<u>Reqd</u>
10	3-19-01-117-01-5	MOTOR HOUSING	1
20	3-07-01-234-01-1	SWITCH (ASGE 110V)	1
50	3-07-12-043-00-1	BRUSH HOLDER	2
80	3-07-11-059-00-7	CARBON BRUSH	2
90	3-07-13-010-00-9	COVER FOR BRUSH HOLDER	2
100	4-30-02-014-99-8	SCREW	4
101	4-24-43-002-99-2	SECURING DISC	4
120	5-1-203-002-11-3	FIELD COIL 110V	1
130	4-30-02-025-99-1	SCREW	2
140	3-14-28-004-00-0	AIR RING	1
160	3-07-07-101-01-2	CABLE	1
170	3-14-13-142-00-9	STRAIN RELEASE	1
180	3-24-31-021-00-7	CABLE CLAMP	1
190	4-30-46-002-00-5	SCREW	2
200	3-12-01-066-00-5	COVER	1
220	3-28-05-119-00-8	SWITCH TRIGGER	1
230	4-30-60-017-03-8	SCREW	1
240	4-30-46-024-00-5	SCREW	1
250	4-30-66-002-99-2	SCREW	1
300	3-37-57-040-00-0	GEAR WHEEL (6T)	1
300-301	5-3-203-001-11-2	ARMATURE (110V)	1
310	4-30-64-001-99-3	SCREW	3
330	4-17-01-001-17-2	BALL BEARING	2
340-370	3-15-06-142-01-1	INTERMEDIATE BEARING	1
360	3-16-04-003-00-4	BEARING	2
370	4-30-64-014-99-7	SCREW	1
380	3-15-08-100-00-2	OUTER BEARING	1
410	3-24-08-028-00-1	DRIVING PLATE	1
420	3-34-01-057-00-0	DRILL SHAFT	1
430	3-01-01-024-00-4	CLUTCH SLEEVE	1
440	4-02-38-017-00-4	CLAMPING SLEEVE	1
450	3-38-01-037-00-8	GEAR	1
460	3-38-01-036-00-4	GEAR WHEEL (46T)	1
470	3-09-01-009-00-1	COMPRESSION SPRING	1
480	3-24-07-025-00-9	DISC	1
490	3-34-16-004-00-1	COUNTERSHAFT	1
500	3-36-57-015-00-2	GEAR WHEEL (31T)	1
510	3-36-57-014-00-8	GEAR WHEEL (41T)	1
520	4-17-01-202-01-8	BALL BEARING	2
530	4-17-05-005-00-3	NEEDLE BUSHING	1
540	3-24-08-153-00-0	DISC	1
550	3-38-11-001-00-4	COUNTERSHAFT PINION (9T)	1
560	3-36-57-013-00-0	COUNTERSHAFT GEAR WHEEL (30T)	1
570	3-26-12-055-00-8	SEALING RING	1
580	4-30-02-029-99-0	SCREW	2
590	4-30-02-024-99-7	SCREW	2
591	4-24-43-002-99-2	SECURING DISC	4