
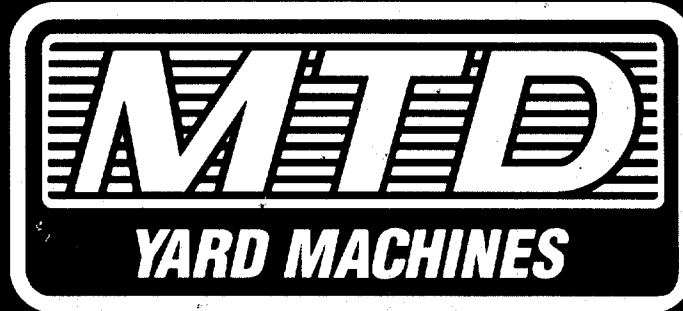


ILLUSTRATED PARTS

AMERICAN  AMERICAN
M A D E O W N E D
OUTDOOR POWER EQUIPMENT

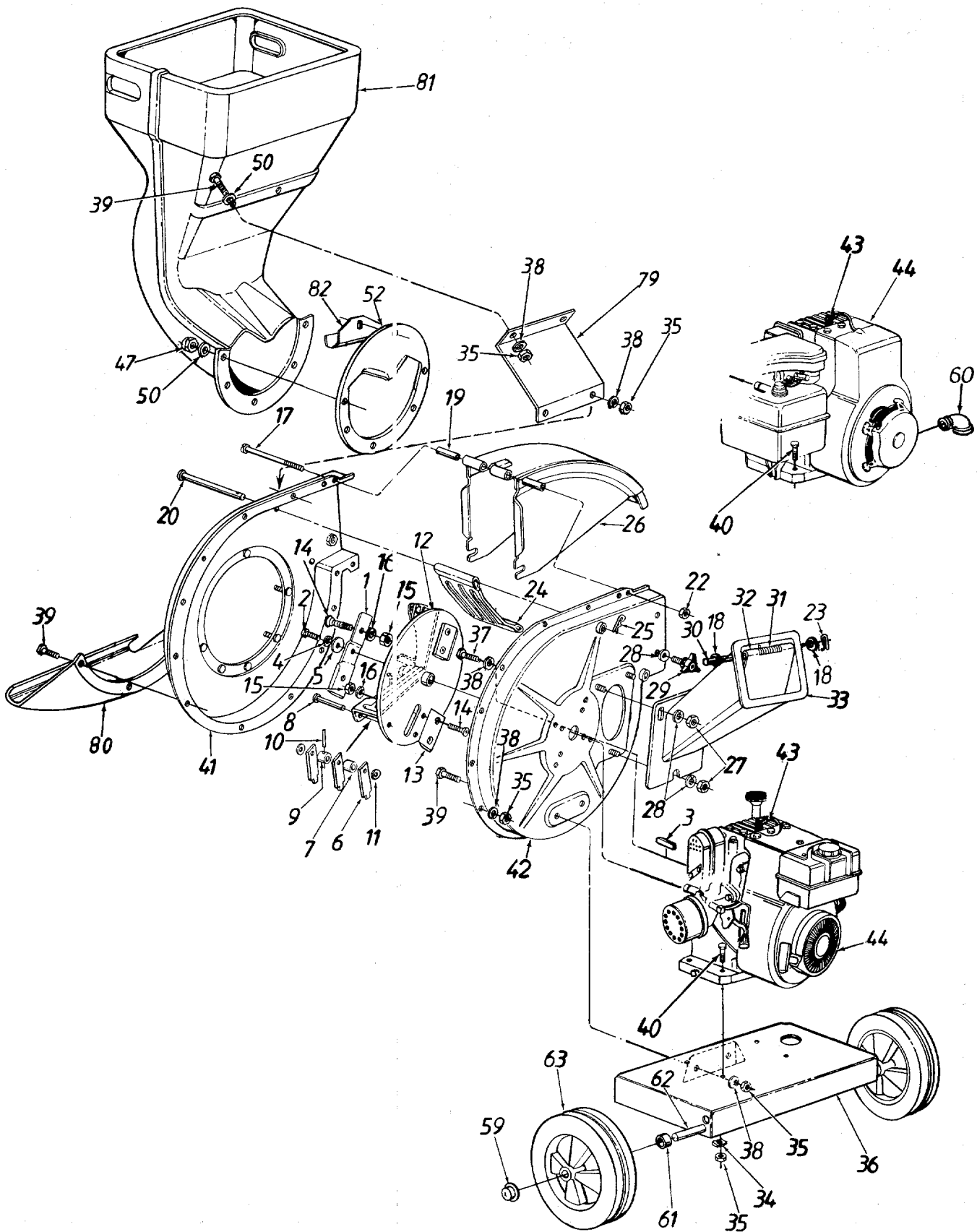


1994

SHREDDERS

Model Number	Pages	Model Number	Pages
244-640A000	2, 3	244-648C000	6, 7
244-641A000	2, 3	244-648D000	8, 9
244-642D000	8, 9	244-650B000	4, 5
244-645A000	2, 3	244-650C000	6, 7
244-645B000	4, 5	244-651B000	4, 5
244-645C000	6, 7		
244-647C000	6, 7	290-002-000.....	10
244-648B000	4, 5	290-003-000.....	10

Models 640A, 641A and 645A



Models 640A, 641A and 645A

PARTS LIST FOR SHREDDERS

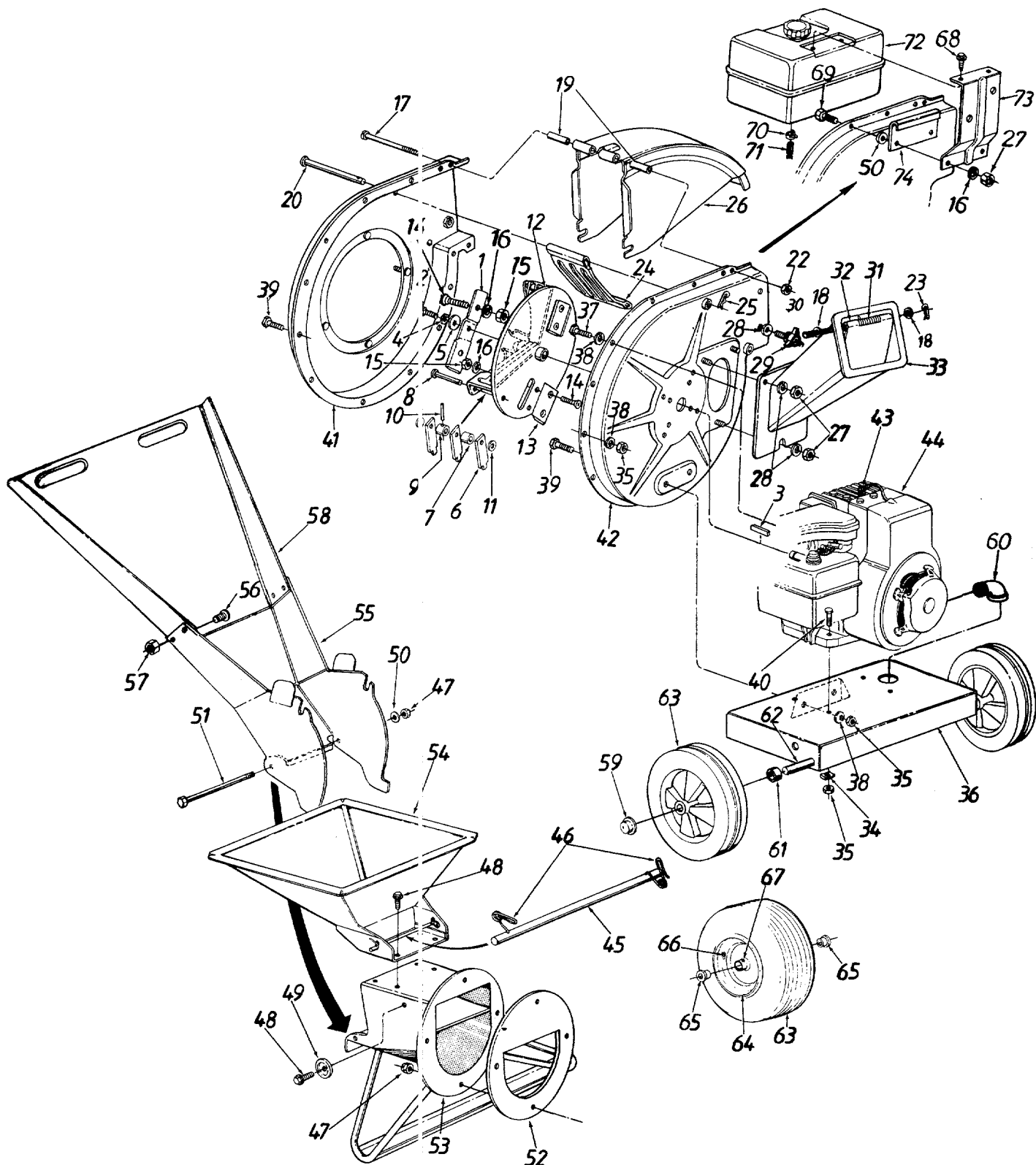
REF. NO.	PART NO.	CODE	DESCRIPTION	REF. NO.	PART NO.	CODE	DESCRIPTION
1	742-0571		Blade	28	736-0242		Bell-Wash. .345" I.D. x .88"
2	710-0818		Hex Patch Bolt 3/8-24 x 2" Lg. (Gr. 8)†	29	720-0170		Hand Knob
	710-1254		Hex Patch Bolt 3/8-24 x 2.25" (Gr. 8)††	30	747-0744A		Chipper Door Rod
3	714-0114		Sq. Key 1/4 x 2.0" Lg.†	31	732-0542		Torsion Spring 1.14" Lg.
4	736-0217		L-Wash. 3/8" I.D. H.D.	32	781-0489		Chipper Door
5	736-0247		Fl-Wash. .406" I.D. x 1.25" O.D. Hdn.	33	781-0475		Chipper Chute Ass'y.
6	11459B		Flail	34	736-0170		Spec. L-Wash. 5/16" I.D.
7	711-0564		Flail Spacer	35	712-3010		Hex Nut 5/16-18 Thd. (Gr. 5)
8	711-0833A		Clevis Pin .496" Dia.	36	781-0510A		Shredder Frame
9	711-0834		Flail Spacer w/.160" Dia. Hole	37	710-0157		Hex Bolt 5/16-24 x .75" Lg.
10	715-0249		Spring Roll Pin 1.12" Lg.	38	736-0119		L-Wash. 5/16" I.D.*
11	736-0192		Fl-Wash. .531" I.D. x .94" O.D.	39	710-3008		Hex Bolt 5/16-18 x .75" Lg. (Gr. 5)
12	681-0002		Impeller Ass'y. Comp.†	40	710-0442		Hex Bolt 5/16-18 x 1.5" Lg.*
	681-0030		Impeller Ass'y. Comp.†† (Incl. Ref. 1, 6, 7, 8, 9, 10, 11, 12, 13, 14)	41	681-0004		Flail Housing Ass'y.—L.H.
13	781-0490		Chipper Blade	42	781-0474A		Flail Housing Ass'y.—R.H.
14	710-1054		Flat Hd. Scr. 5/16-24 x .75" Lg.	43	735-0639		Spark Plug Boot
15	712-0411		Hex Top L-Nut 5/16-24 (Gr. 5)	44	—		Engine
16	736-0119		L-Wash. 5/16" I.D.*	47	712-0429		Elastic Lock Nut 5/16-18 Thd.
17	710-0825		Hex Bolt 1/4-20 x 3.75" Lg.*	50	736-0264		Fl-Wash. 5/16" I.D.
18	736-0142		Fl-Wash. .281" I.D. x .50" O.D.	52	781-0521		Back-Up Plate
19	750-0793		Chute Hinge Spacer 1.66" Lg.	59	726-0214		Push Cap 5/8" Dia. Rod
20	711-0835		Clevis Pin .5" Dia. x 4.62" Lg.	60	737-0195		Drain Elbow (5 HP B&S)
22	712-0291		Hex Ctr. L-Nut 1/4-20 Thd.*	61	750-0786		Spacer .64" I.D. x .38" Lg.
23	714-3010		Cotter Pin	62	738-0814		Shredder Axle
24	781-0457		Shredder Screen	63	734-1603		Wheel Ass'y. Comp.
25	714-0149B		Internal Cotter Pin 3/8" Dia.	79	781-0519		Hopper Support Brkt.
26	781-0480		Chute Deflector Ass'y.	80	781-0515		Front Support Brkt.
27	712-3010		Hex Nut 5/16-18 Thd. (Gr. 5)	81	731-1307		Leaf Hopper
				82	781-0589		Hopper Shield
				—	764-0199A		Bag (Not Shown)
				—	723-0400		Safety Glasses (Not Shown)

†Used with Keyed Engine Crankshaft.

††Used with Tapered Engine Crankshaft.

*For faster service obtain standard nuts, bolts and washers locally.
If these items cannot be obtained locally, order by part number
and size as shown on parts list.

Models 645B, 648B, 650B and 651B



Models 645B, 648B, 650B and 651B

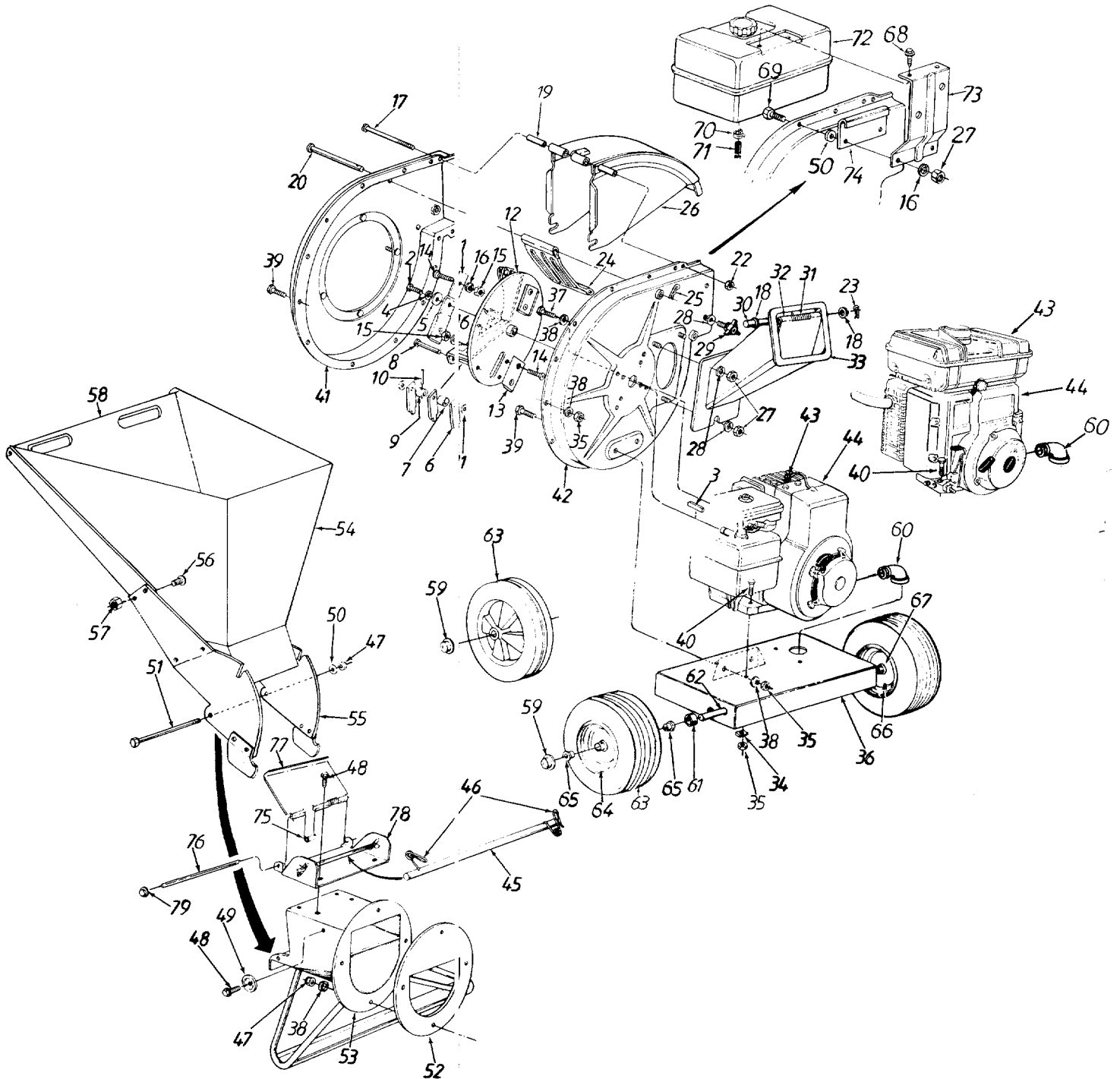
PARTS LIST FOR SHREDDERS

REF. NO.	PART NO.	CODE	DESCRIPTION	REF. NO.	PART NO.	CODE	DESCRIPTION
1	742-0571		Blade	40	710-0442		Hex Bolt 5/16-18 x 1.5" Lg. (5 H.P. & 8 H.P. Tec.)
2	710-0818		Hex Patch Bolt 3/8-24 x 2" Lg. (Gr. 8) (Used w/Keyed Engine Crankshaft)		710-0380		Hex Bolt 5/16-18 x 1.75" Lg. (8 H.P.)*
	710-1254		Hex Patch Bolt 3/8-24 x 2.25" (Gr. 8) (Used w/Tapered Engine Crankshaft)	41	681-0004		Flail Housing Ass'y.—L.H.
				42	781-0474A		Flail Housing Ass'y.—R.H.
3	714-0114		Sq. Key 1/4 x 2.0" Lg. (Used w/Keyed Engine Crankshaft)	43	735-0639		Spark Plug Boot (Optional) Engine
				44	—		Release Bar
4	736-0217		L-Wash. 3/8" I.D. H.D.	45	747-0531A		Torsion Spring 1.06" Lg.
5	736-0247		Fl-Wash. .406" I.D. x 1.25" O.D. Hdn.	46	732-0546		Elastic Lock Nut 5/16-18 Thd.
				47	712-0429		Hex Wash. Hd. Self-Tap Scr. 5/16-18 x .75" Lg.
6	11459B		Flail	48	710-0601		Stop Washer
7	711-0564		Flail Spacer	49	11480		Fl-Wash. 5/16" I.D.
8	711-0833A		Clevis Pin .496" Dia.	50	736-0264		Hex Bolt 5/16-18 x 8.38" Lg.
9	711-0834		Flail Spacer w/.160" Dia. Hole	51	710-0542		Back-Up Plate
10	715-0249		Spring Roll Pin 1.12" Lg.	52	781-0487B		Inlet Guide Ass'y.
11	736-0192		Fl-Wash. .531" I.D. x .94" O.D.	53	16522B		Hopper Ass'y.
12	681-0002		Impeller Ass'y. Comp. (Used w/Keyed Engine Crank- shaft—Incl. Ref. 1, 6, 7, 8, 9, 10, 11, 12, 13, 14)	54	11481B		Lower Leaf Ramp Section
				55	781-0509		Truss Mach. Scr. 1/4-20 x .5"
				56	710-0286		Hex L-Nut 1/4-20 Thd.
	681-0030		Impeller Ass'y. Comp. (Used w/Tapered Engine Crank- shaft—Incl. Ref. 1, 6, 7, 8, 9, 10, 11, 12, 13, 14)	57	712-0107		Upper Leaf Ramp Section
				58	11461B		Push Cap 5/8" Dia. Rod
				59	726-0214		Drain Elbow (5 HP B&S)
				60	737-0195		Drain Elbow (8 HP B&S)
13	781-0490		Chipper Blade		737-0125		Spacer .64" I.D. x .38" Lg.
14	710-1054		Flat Hd. Scr. 5/16-24 x .75" Lg.	61	750-0786		Shredder Axle†
15	712-0411		Hex Top L-Nut 5/16-24 (Gr. 5)	62	738-0814		Shredder Axle††
16	736-0119		L-Wash. 5/16" I.D.*	63	738-0813		Wheel Ass'y. Comp. (Plastic— 10 x 2.5)
17	710-0825		Hex Bolt 1/4-20 x 3.75" Lg.*		734-1600		Wheel Ass'y. Comp. (Steel— 10 x 4)
18	736-0142		Fl-Wash. .281" I.D. x .5" O.D.		734-1597		Tire Only††
19	750-0793		Chute Hinge Spacer 1.66" Lg.		734-1598		Rim Only††
20	711-0835		Clevis Pin .5" Dia. x 4.62" Lg.	64	734-1455		Flange Bearing .632" I.D.††
22	712-0291		Hex Ctr. L-Nut 1/4-20 Thd.*	65	741-0487		Air Valve††
23	714-3010		Cotter Pin 3/32" x 5/8"	66	734-0255		Grease Fitting††
24	781-0457		Shredder Screen	67	737-0280		Hex Hi-Low Scr. 1/4 x .75" (650, 651)
25	714-0149B		Internal Cotter Pin 3/8" Dia.	68	710-0895		Hex Bolt 5/16-18 x .88" Lg. (650, 651)
26	781-0480		Chute Deflector Ass'y.	70	726-0205		Hose Clamp (650, 651)
27	712-3010		Hex Nut 5/16-18 Thd. (Gr. 5)	71	751-0535-7		Fuel Line—7 in. (650, 651)
28	736-0242		Bell-Wash. .345" I.D. x .88"	72	751-0570		Fuel Tank Ass'y. Comp. (650, 651)
29	720-0170		Hand Knob	73	781-0497		Fuel Tank Mtg. Brkt. (650, 651)
30	747-0744A		Chipper Door Rod	74	781-0498		Fuel Tank Support Brkt. (650, 651)
31	732-0542		Torsion Spring 1.14" Lg.		—		Bag (Not Shown)
32	781-0489		Chipper Door		764-0199A		Safety Glasses (Not Shown)
33	781-0475		Chipper Chute Ass'y.		723-0400		
34	736-0170		Spec. L-Wash. 5/16" I.D.				
35	712-3010		Hex Nut 5/16-18 Thd. (Gr. 5)				
36	781-0510A		Shredder Frame (645, 648)				
	781-0459A		Shredder Frame (650, 651)				
37	710-0157		Hex Bolt 5/16-24 x .75" Lg.				
38	736-0119		L-Wash. 5/16" I.D.*				
39	710-3008		Hex Bolt 5/16-18 x .75" Lg. (Gr. 5)				

†Used with 10 x 2.5 Wheel (Plastic—Part No. 734-1600).
††Used with 10 x 4 Wheel (Steel—Part No. 734-1597).

*For faster service obtain standard nuts, bolts and washers locally.
If these items cannot be obtained locally, order by part number
and size as shown on parts list.

Models 645C, 647C, 648C and 650C



Models 645C, 647C, 648C and 650C

PARTS LIST FOR SHREDDERS

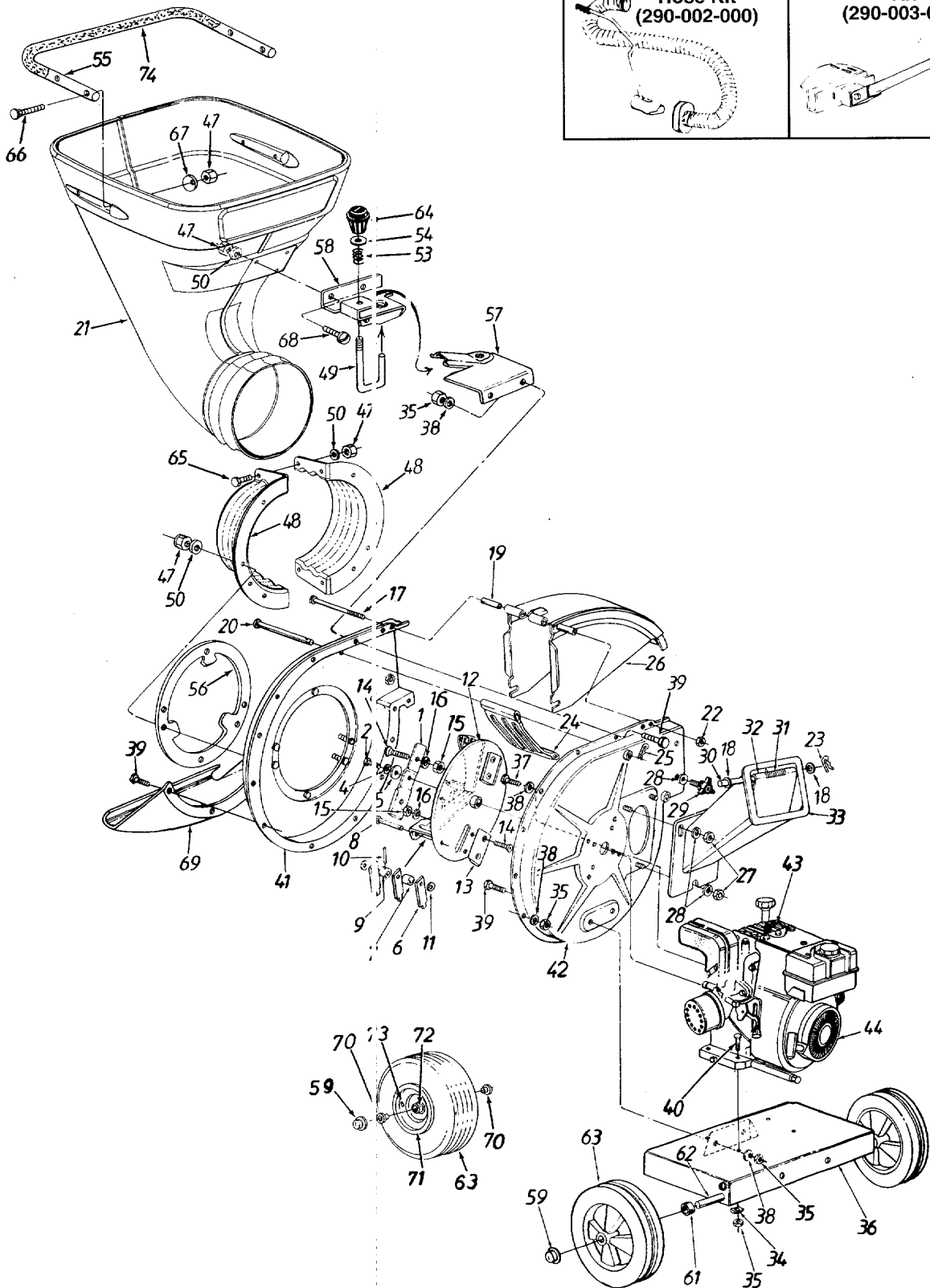
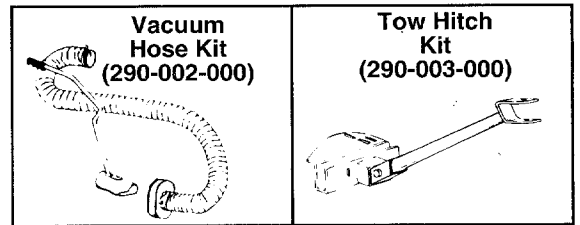
REF. NO.	PART NO.	CODE	DESCRIPTION	REF. NO.	PART NO.	CODE	DESCRIPTION
1	742-0571		Blade	42	781-0474A		Flail Housing Ass'y.—R.H.
2	710-0818		Hex Patch Bolt 3/8-24 x 2" Lg. (Gr. 8)†	43	735-0639		Spark Plug Boot (Optional)
	710-1254		Hex Patch Bolt 3/8-24 x 2.25" (Gr. 8)††	44	—		Engine
3	714-0114		Sq. Key 1/4 x 2.0" Lg.†	45	747-0531A		Release Bar
4	736-0217		L-Wash. 3/8" I.D. H.D.	46	732-0546		Torsion Spring 1.06" Lg.
5	736-0247		FI-Wash. .406" I.D. x 1.25" O.D. Hdn.	47	712-0429		Elastic Lock Nut 5/16-18 Thd.
6	11459B		Flail	48	710-0601		Hex Wash. Hd. Self-Tap Scr. 5/16-18 x .75" Lg.
7	711-0564		Flail Spacer	49	11480		Stop Washer
8	711-0833A		Clevis Pin .496" Dia.	50	736-0264		FI-Wash. 5/16" I.D.
9	711-0834		Flail Spacer w/.160" Dia. Hole	51	710-0542		Hex Bolt 5/16-18 x 8.38" Lg.
10	715-0249		Spring Roll Pin 1.12" Lg.	52	781-0487B		Back-Up Plate
11	736-0192		FI-Wash. .531" I.D. x .94" O.D.	53	16522B		Inlet Guide Ass'y.
12	681-0002		Impeller Ass'y. Comp. (Incl. Ref. 1, 6, 7, 8, 9, 10, 11, 12, 13, 14)†	54	781-0494		Pivot Hopper Hood
	681-0030		Impeller Ass'y. Comp. (Incl. Ref. 1, 6, 7, 8, 9, 10, 11, 12, 13, 14)†	55	16524B		Upper Guide Ass'y.
13	742-0490		Chipper Blade	56	710-0286		Truss Mach. Scr. 1/4-20 x .5**
14	710-1054		Flat Hd. Scr. 5/16-24 x .75" Lg.	57	712-0107		Hex L-Nut 1/4-20 Thd.
15	712-0411		Hex Top L-Nut 5/16-24 (Gr. 5)	58	11461B		Upper Leaf Ramp Section
16	736-0119		L-Wash. 5/16" I.D.*	59	726-0214		Push Cap 5/8" Dia. Rod
17	710-0825		Hex Bolt 1/4-20 x 3.75" Lg.*	60	737-0195		Drain Elbow (645C & 647C)
18	736-0142		FI-Wash. .281" I.D. x .5" O.D.		737-0125		Drain Elbow (650C)
19	750-0793		Chute Hinge Spacer 1.66" lg.	61	750-0786		Spacer .64" I.D. x .38" Lg.
20	711-0835		Clevis Pin .5" Dia. x 4.62" Lg.	62	738-0814		Shredder Axle (645C)
22	712-0291		Hex Ctr. L-Nut 1/4-20 Thd.*		738-0813		Shredder Axle (647C, 648C & 650C)
23	714-3010		Cotter Pin	63	734-1600		Wheel Ass'y. Comp. (645C)
24	781-0457		Shredder Screen		734-1597		Wheel Ass'y. Comp. (647C, 648C & 650C)
25	714-0149B		Internal Cotter Pin 3/8" Dia.	64	734-1455A		Rim Only (647C, 648C & 650C)
26	781-0480		Chute Deflector Ass'y.	65	741-0487A		Flange Bearing .632" I.D. (647C, 648C & 650C)
27	712-3010		Hex Nut 5/16-18 Thd. (Gr. 5)	66	734-0255		Air Valve (647C, 648C & 650C)
28	736-0242		Bell-Wash. .345" I.D. x .88"	67	737-0211		Grease Fitting (647C, 648C & 650C)
29	720-0170		Hand Knob	68	710-0895		Hex Hi-Low Scr. 1/4" x .75" Lg. (650C)
30	747-0744A		Chipper Door Rod	69	710-3038		Hex Bolt 5/16-18 x .88" Lg. (650C)
31	732-0542		Torsion Spring 1.14" Lg.	70	726-0205		Hose Clamp (650C)
32	781-0489		Chipper Door	71	751-0535-7		Fuel Line—7" Lg. (650C)
33	781-0475		Chipper Chute Ass'y.	72	751-0570		Fuel Tank Ass'y. Comp. (650C)
34	736-0170		Spec. L-Wash. 5/16" I.D.	73	781-0497		Fuel Tank Mtg. Brkt. (650C)
35	712-3010		Hex Nut 5/16-18 Thd. (Gr. 5)	74	781-0498		Fuel Tank Support Brkt. (650C)
36	781-0510A		Shredder Frame	75	732-0629		Torsion Spring
37	710-0157		Hex Bolt 5/16-24 x .75" Lg.	76	747-0747		Hopper Door Rod
38	736-0119		L-Wash. 5/16" I.D.*	77	781-0492		Hopper-Pivot Door
39	710-3008		Hex Bolt 5/16-18 x .75" Lg. (Gr. 5)	78	781-0493		Hopper Lockout Brkt.
40	710-0380		Hex Bolt 5/16-18 x 1.75" Lg.*	79	726-0106		Cap Speed Nut 1/4" Rod
41	681-0004		Flail Housing Ass'y.—L.H.	—	764-0199A		Bag (Not Shown)
				—	723-0400		Safety Glasses (Not Shown)

†Used with Keyed Engine Crankshaft.

††Used with Tapered Engine Crankshaft.

Models 642D and 648D

OPTIONAL ACCESSORIES



Models 642D and 648D

PARTS LIST FOR MODELS 642D AND 648D SHREDDER

REF. NO.	PART NO.	CODE	DESCRIPTION	REF. NO.	PART NO.	CODE	DESCRIPTION
1	742-0571		Blade	38	736-0119		L-Wash. 5/16" I.D.*
2	710-1254		Hex Patch Bolt 3/8-24 x 2.25" Lg.	39	710-3008		Hex Bolt 5/16-18 x .75" Lg. (Gr. 5)
4	736-0217		L-Wash. 3/8" I.D. H.D.	40	710-0442		Hex Bolt 5/16-18 x 1.5" Lg.*
5	736-0247		Fl-Wash. .406" I.D. x 1.25" O.D. Hdn.	41	681-0004		Flail Housing Ass'y.—L.H.
6	11459B		Flail	42	781-0474A		Flail Housing Ass'y.—R.H.
7	711-0564		Flail Spacer	43	735-0639		Spark Plug Boot
8	711-0833A		Clevis Pin .496" Dia.	44	—		Engine
9	711-0834		Flail Spacer w/.160" Dia. Hole	47	712-0429		Elastic Lock Nut 5/16-18 Thd.
10	715-0249		Spring Roll Pin 1.12" Lg.	48	731-1428		Hopper Mtg. Collar
11	736-0192		Fl-Wash. .531" I.D. x .94" O.D.	49	781-0568		Locking Pin
12	681-0030		Impeller Ass'y. Comp.†	50	736-0264		Fl-Wash. 5/16" I.D.
13	781-0490		Chipper Blade	53	732-0730		Spring 1.5" Lg.
14	710-1054		Flat Hd. Scr. 5/16-24 x .75" Lg.	54	736-0117		Fl-Wash. .385" I.D. x .62" O.D.
15	712-0411		Hex Top L-Nut 5/16-24 (Gr. 5)	55	749-0932		Handle
16	736-0119		L-Wash. 5/16" I.D.*	56	781-0574		Back-Up Plate
17	710-0825		Hex Bolt 1/4-20 x 3.75" Lg.*	57	781-0562		Lower Locking Brkt.
18	736-0142		Fl-Wash. .281" I.D. x .50" O.D.	58	781-0561		Upper Locking Brkt.
19	750-0793		Chute Hinge Spacer 1.66" Lg.	59	726-0214		Push Cap 5/8" Dia. Rod
20	711-0835		Clevis Pin .5" Dia. x 4.62" Lg.	61	750-0786		Spacer .64" I.D. x .38" Lg.
21	731-1427		Rotating Hopper (642D)	62	738-0814		Shredder Axle (642D)
	731-1512	N	Rotating Hopper (648D)		738-0813		Shredder Axle (648D)
22	712-0291		Hex Ctr. L-Nut 1/4-20 Thd.	63	734-1600		Wheel Ass'y. Comp. (642D)
23	714-3010		Cotter Pin		734-1597		Wheel Ass'y. Comp. (648D)
24	781-0457		Shredder Screen		734-1598		Tire Only (648D)
25	714-0149B		Internal Cotter Pin 3/8" Dia.	64	720-0232		Knob
26	781-0480		Chute Deflector Ass'y.	65	710-0376		Hex Bolt 5/16-18 x 1" Lg. (Gr. 5)
27	712-3010		Hex Nut 5/16-18 Thd. (Gr. 5)	66	710-1267		Curved Carr. Bolt 5/16-18 x 1.25" Lg.
28	736-0242		Bell-Wash. .345" I.D. x .88"	67	736-0451		Saddle Wash. .32" I.D.
29	720-0170		Hand Knob	68	710-0451		Carr. Bolt 5/16-18 x .75" Lg.
30	747-0744A		Chipper Door Rod	69	781-0515		Front Support Brkt.
31	732-0542		Torsion Spring 1.14" Lg.	70	741-0487A		Flange Bearing .632" I.D. (648D)
32	781-0489		Chipper Door	71	734-1455A		Rim Only (648D)
33	781-0475		Chipper Chute Ass'y.	72	737-0211		Grease Fitting (648D)
34	736-0170		Spec. L-Wash. 5/16" I.D.	73	734-0255		Air Valve (648D)
35	712-3010		Hex Nut 5/16-18 Thd. (Gr. 5)	74	720-0280		Foam Grip
36	781-0510A		Shredder Frame	—	764-0199A		Bag (Not Shown)
37	710-0157		Hex Bolt 5/16-24 x .75" Lg.	—	723-0400		Safety Glasses (Not Shown)

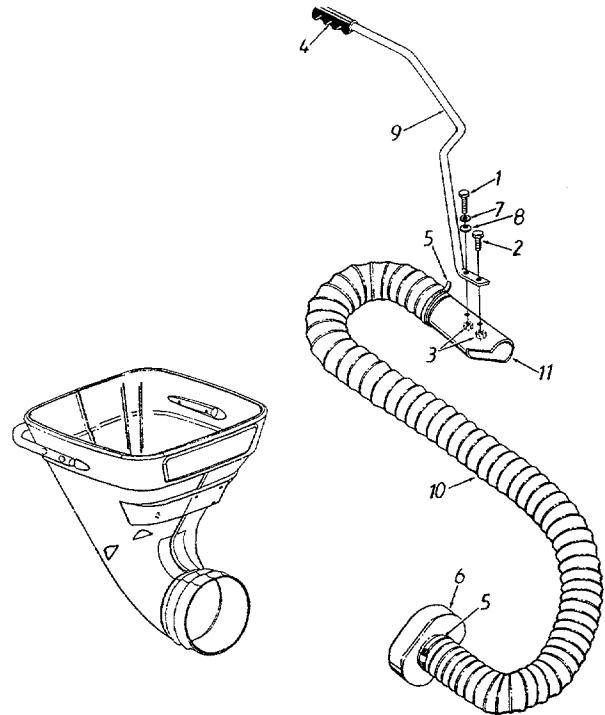
*For faster service obtain standard nuts, bolts and washers locally. If these items cannot be obtained locally, order by part number and size as shown on parts list.

VACUUM HOSE KIT

PARTS LIST FOR MODEL 290-002 VACUUM HOSE KIT

**Model Number
290-002-000**

REF. NO.	PART NO.	QTY.	DESCRIPTION
1	710-0106	1	Hex Bolt 1/4-20 x 1.25" Lg.*
2	710-0258	1	Hex Bolt 1/4-20 x .62" Lg.*
3	712-0324	2	Hex L-Nut 1/4-20 Thd.
4	720-0281	1	Grip
5	726-0327	2	Adj. Hose Clamp 5" Dia.
6	731-1462	1	Plug
7	736-0142	1	Fl-Wash. .281" I.D. x .50" O.D. x .06"
8	736-0451	1	Saddle Washer .32" I.C. x .937"
9	749-0005	1	Handle
10	764-0455	1	Hose—5" Dia.
11	781-0573	1	Nozzle Tube

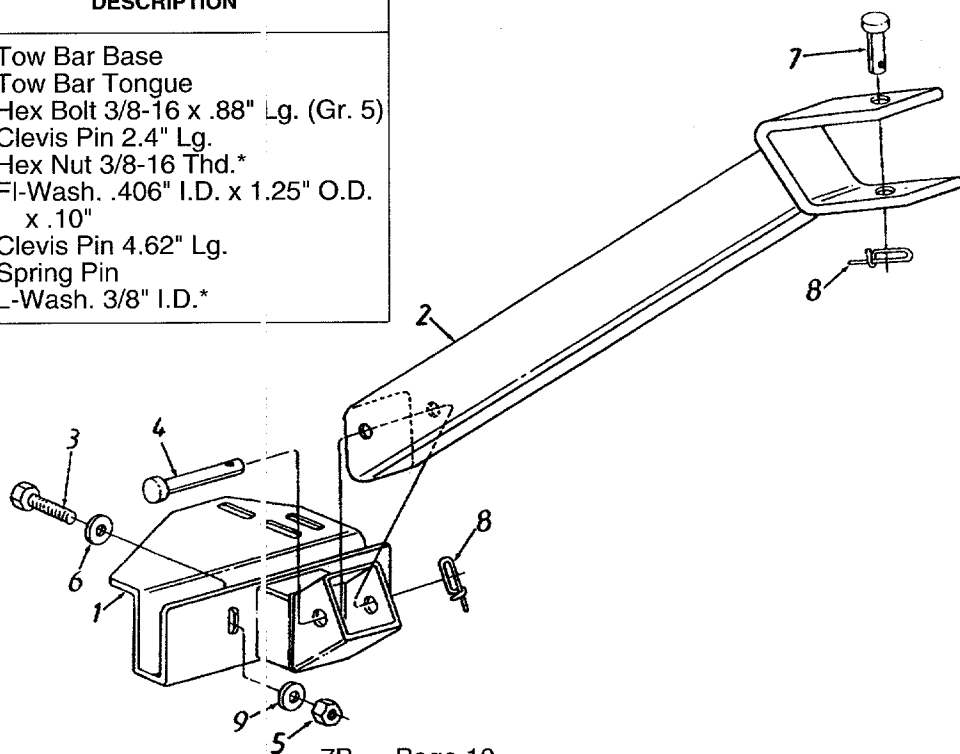


TOW HITCH KIT

PARTS LIST FOR MODEL 290-003 TOW HITCH KIT

**Model Number
290-003-000**

REF. NO.	PART NO.	CODE	DESCRIPTION
1	681-0042	N	Tow Bar Base
2	681-0043	N	Tow Bar Tongue
3	710-3001		Hex Bolt 3/8-16 x .88" Lg. (Gr. 5)
4	711-0299		Clevis Pin 2.4" Lg.
5	712-0798		Hex Nut 3/8-16 Thd.*
6	736-0133		Fl-Wash. .406" I.D. x 1.25" O.D. x .10"
7	711-0835		Clevis Pin 4.62" Lg.
8	732-0194		Spring Pin
9	736-0169		L-Wash. 3/8" I.D.*



*For faster service obtain standard nuts, bolts and washers locally. If these items cannot be obtained locally, order by part number and size as shown on parts list.