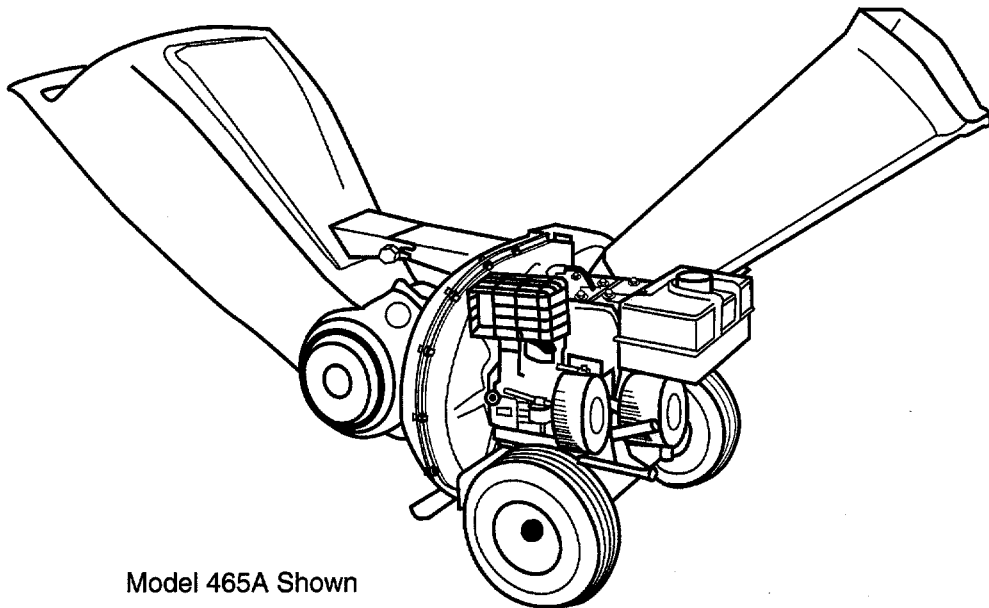




Illustrated Parts Book



Model 465A Shown

CHIPPER SHREDDER

Model Numbers

247-462B000

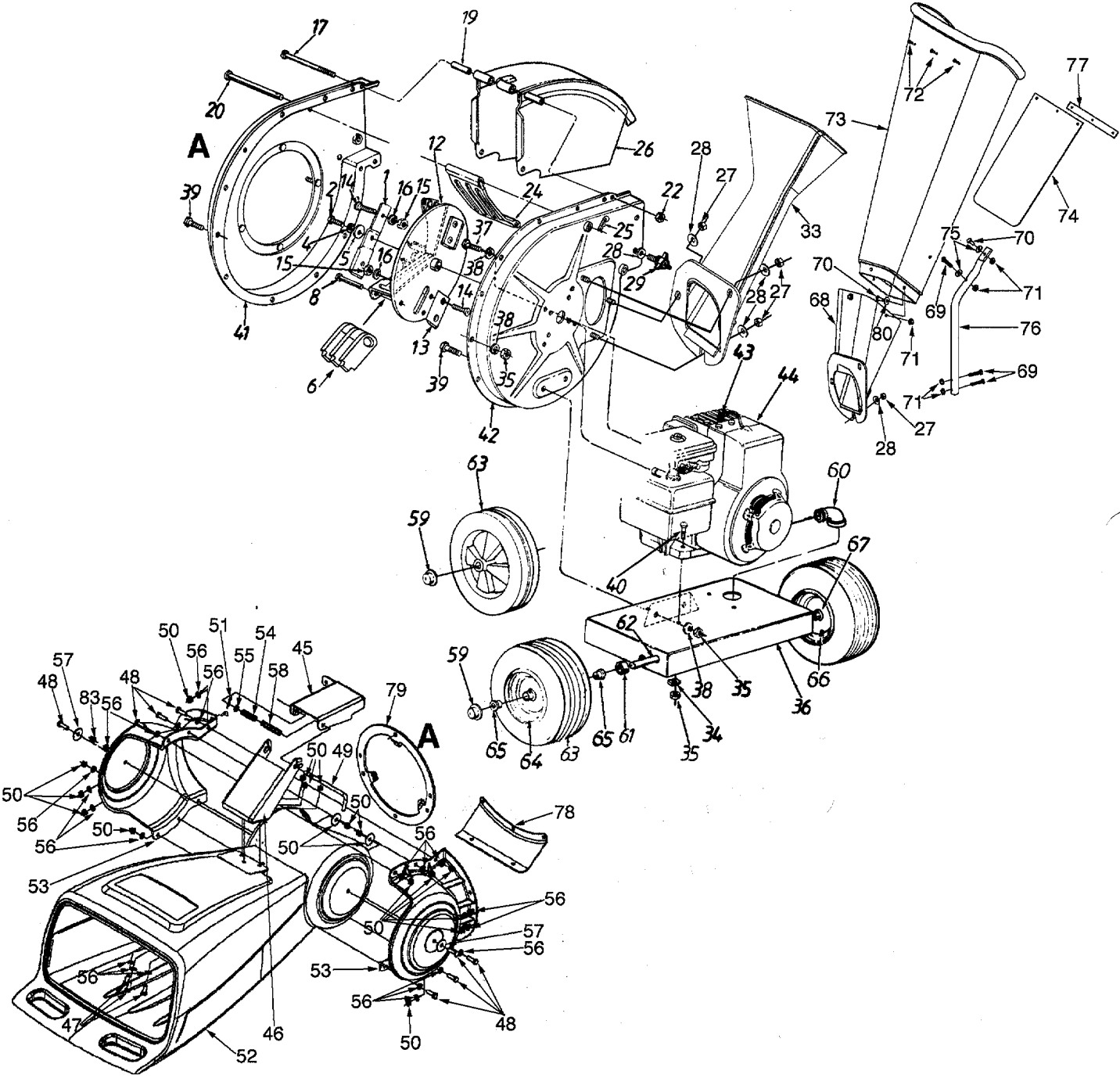
247-463C000

247-465A000

1997

MTD PRODUCTS INC • P.O. BOX 368022 • CLEVELAND, OHIO 44136-9722

Model 462B, 463C, 465A



Model 462B, 463C, 465A

PARTS LIST FOR MODELS 462B, 463C, 465A CHIPPER SHREDDERS

REF. NO.	PART NO.	CODE	DESCRIPTION	REF. NO.	PART NO.	CODE	DESCRIPTION
1	742-0571		Blade	48	710-0376		Hex Bolt 5/16-18 x 1.0" Lg. (Gr. 5)
2	710-1254		Hex Patch Bolt 3/8-24 x 2.25" (Gr. 8)	49	711-1128	N	Lock Rod
4	736-0217		L-Wash. 3/8" I.D. H.D.	50	712-0429		Hex L-Nut 5/16-18
5	736-0427		Fl-Wash. .406" I.D. x 1.25" O.D. Hdn.	51	714-0104		Internal Cotter Pin .072 x 1.12 Lg.
6	719-0329		Flail Blade	52	731-1707	N	Hopper
8	711-0833B		Clevis Pin .496" Dia.	53	731-1710	N	Collar—Hopper
10	715-0162		Spring Roll Pin 1.125" Lg.	54	732-0306		Compression Spring
12	681-0030		Impeller Ass'y. Comp. (Incl. Ref. 1, 6, 8, 10, 12, 13, 14)	55	736-0117		Flat Wash. 3/8 x .620 x .033
13	781-0490		Chipper Blade	56	736-0264		Flat Wash. .330 I.D. x 1.25 O.D.
14	710-1054		Flat Hd. Scr. 5/16-24 x .75" Lg.	57	736-0362		Spacer .382 I.D. x .50 O.D. x 1.12
15	712-0411		Hex Top L-Nut 5/16-24 (Gr. 5)	58	750-0785		
16	736-0119		L-Wash. 5/16" I.D.	59	726-0214		Push Cap 5/8" Dia. Rod
17	710-0825		Hex Bolt 1/4-20 x 3.75" Lg.	60	737-0195		Drain Elbow†
19	750-0793		Chute Hinge Spacer 1.66" Lg.	61	750-0786		Spacer .64 I.D. x .38" Lg.
20	711-0835		Clevis Pin .5" Dia. x 4.62" Lg.	62	738-0814		Shredder Axle†
22	712-0291		Hex Ctr. L-Nut 1/4-20 Thd.		738-0813		Shredder Axle††
24	781-0457		Shredder Screen	63	734-1600		Wheel Ass'y. Comp.†
25	714-0149B		Internal Cotter Pin 3/8" Dia.		734-1597		Wheel Ass'y. Comp.††
26	681-0094	N	Chute Deflector Ass'y.	64	734-1455A		Rim Only††
27	712-3010		Hex Nut 5/16-18 Thd. (Gr. 5)	65	741-0487A		Flange Bearing .632" I.D.††
28	736-0242		Bell-Wash. .345 I.D. x .88"	66	734-0255		Air Valve††
29	720-0170		Hand Knob	67	737-0211		Grease Fitting††
33	681-0095		Chipper Chute Ass'y.†	68	681-0068		Chute Ass'y.††
34	736-0170		Spec. L-Wash. 5/16" I.D.	69	710-0106		Hex Bolt 1/4-20 x 1.25††
35	712-3004A		Hex Nut 5/16-18 Thd. (Gr. 5)	70	710-0258		Hex Bolt 1/4-20 x .0625††
36	781-0510B	N	Shredder Frame	71	712-3027		Lock Nut 1/4-20††
37	710-0157		Hex Bolt 5/16-24 x .75" Lg.	72	728-0175		Pop Rivet††
38	736-0119		L-Wash. 5/16" I.D.	73	731-1899	N	Chipper Chute††
39	710-3008		Hex Bolt 5/16-18 x .75" Lg. (Gr. 5)	74	735-0249		Chute Flap††
40	710-0380		Hex Bolt 5/16-18 x 1.75" Lg.	75	736-0173		Flat Wash. .28 I.D.††
41	681-0004A	N	Flail Housing Ass'y.—L.H.	76	749-1004	N	Chute Support††
42	681-0117	N	Flail Housing Ass'y.—R.H.	77	781-0633		Flat Strip††
43	735-0639		Spark Plug Boot (Optional)	78	781-0515		Front Support Bracket
44	—		Engine	79	781-0574		Back Up Plate
45	681-0104	N	Bracket Ass'y.—R.R.	—	764-0199A		Bag (Not Shown)
46	681-0123	N	Bracket Ass'y.—Frt.	—	723-0400		Safety Glasses (Not Shown)
47	710-0118		Hex Bolt 5/16-18 x .75" Lg. (Gr. 2)				

† Models 462B / 463C

†† Model 465A

TOW HITCH KIT

For Models 462B / 463C Only

Model Number
290-003-000

PARTS LIST FOR MODEL 290-003 TOW HITCH KIT

REF. NO.	PART NO.	CODE	DESCRIPTION
1	681-0042		Tow Bar Base
2	681-0043		Tow Bar Tongue
3	710-3001		Hex Bolt 3/8-16 x .88" Lg. (Gr. 5)
4	711-0299		Clevis Pin 2.4" Lg.
5	712-0798		Hex Nut 3/8-16 Thd.*
6	736-0133		Fl-Wash. .406" I.D. x 1.25" O.D. x .10"
7	711-0835		Clevis Pin 4.62" Lg.
8	732-0194		Spring Pin
9	736-0169		L-Wash. 3/8" I.D.*

* For faster service obtain standard nuts, bolts and washers locally. If these items cannot be obtained locally, order by part number and size as shown on parts list.

