

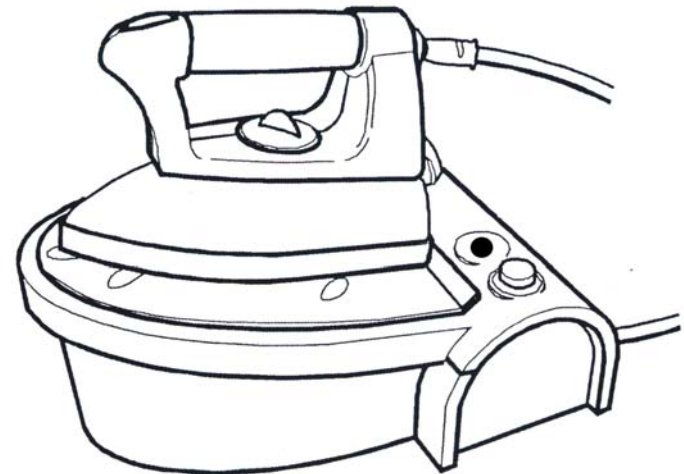
EURO-PRO 

STEAM GENERATOR IRON

OWNER'S MANUAL

Model G6118H

120V., 60 Hz., 1500 Watts



For information or assistance:

EURO-PRO Operating LLC
94 Main Mill Street, Door 16
Plattsburgh, NY 12901
Tel.: (800) 798-7398

IMPORTANT SAFETY INSTRUCTIONS

When using your **Steam Generator Iron**, basic safety precautions should always be followed. Read carefully the following instructions as they provide important information concerning how to install, use and care for this appliance.

1. Use steam generator iron only for its intended use.
2. Use ironing system only for its intended use.
3. To protect against a risk of electric shock, do not immerse the iron or any part of the ironing system in water or any other liquids.
4. The ironing system (iron and steam generator) should always be turned OFF before plugging into or unplugging from wall outlet. Never pull power cord to disconnect from outlet; instead, grasp plug and pull to disconnect.
5. Do not allow cord to touch hot surfaces. Let the ironing system cool completely before putting away or opening water tank (removing safety cap). Wrap cord loosely around the ironing system when storing.
6. Always disconnect ironing system from electrical outlet when filling with water or emptying and when not in use. Always turn the safety cap slowly when opening the water tank.
7. **Always make sure that there is no steam in the steam generator (water tank) before opening the safety cap.** Follow instructions to release all remaining steam though the iron by pressing the steam release button. Unplug the unit and allow to cool before starting to open safety cap. Always turn the cap slowly when opening the water tank to allow any remaining steam to escape gradually.
8. Do not operate the ironing system with a damaged cord, plug or if the iron or any other part of the system has been dropped or damaged. To avoid risk of electric shock, do not disassemble or attempt to repair the ironing system. Return the unit to **EURO-PRO Operating LLC** (see warranty) for examination, repair or replacement. Incorrect reassembly or repair can cause a risk of electrical shock or injury to persons when the ironing system is used.
9. Close supervision is necessary for any appliance being used by or near children. Do not leave ironing system unattended while connected or while on an ironing board. Always position the iron flat on the silicone rubber posts.
10. Burns can occur from touching hot metal parts, hot water or steam. Use caution when turning the system upside down, as there may be hot water in the unit. Never direct steam at any person, especially when using the iron in the vertical position. The steam is very hot and can cause burns.
11. The hot iron base (soleplate) must always rest on the non combustible silicone rubber posts on top of the steam generator.
12. Do not operate in the presence of explosive and/or flammable fumes.
13. Never fill the boiler with corrosive products like vinegar or limestone removers.
14. Never move the steam generator during use and never fill it under running water.
15. **CAUTION: Never use scouring pads, abrasive or chemical cleaners, or solvents to clean the exterior or soleplate of your iron. Doing so will scratch and/or damage the surface.**
16. Use regular tap water or distilled/purified water if the tap water in your area is very hard.
17. This appliance is intended only for household use. Follow all user instructions in this manual.

SPECIAL INSTRUCTIONS

1. To avoid a circuit overload, do not operate another high-wattage appliance on the same circuit simultaneously with the steam generator iron.
2. If an extension is absolutely necessary, a 15-ampere rated cord with a polarized plug should be used. Cords rated for less amperage may overheat. Care should be taken to arrange so that it cannot be pulled on or tripped over.
3. Do not leave iron unattended when the system is connected to a power supply/electrical outlet.

POLARIZED PLUG

WARNING: To reduce the risk of electric shock, this appliance has a polarized plug (one blade is wider than the other). This plug will fit in a polarized outlet only one way. If the plug does not fit fully in the outlet, reverse the plug. If it still does not fit, contact a qualified electrician to install the proper outlet. Do not modify the plug in any way.



**SAVE THESE INSTRUCTIONS
FOR HOUSEHOLD USE ONLY**

1 YEAR LIMITED WARRANTY

EURO-PRO Operating LLC warrants this product to be free from defects in material and workmanship for a period of one (1) year from the date of the original purchase, when utilized for normal household use, subject to the following conditions, exclusions and exceptions.

If your appliance fails to operate properly while in use under normal household conditions within the warranty period, return the complete appliance and accessories, freight prepaid to

EURO-PRO Operating LLC, 94 Main Mill Street, Door 16, Plattsburgh, NY 12901

If the appliance is found by **EURO-PRO Operating LLC** to be defective in material or workmanship, **EURO-PRO Operating LLC** will repair or replace it free of charge. Proof of purchase date and \$ 14.95 to cover the cost of return shipping and handling must be included. *

The liability of **EURO-PRO Operating LLC** is limited solely to the cost of the repair or replacement of the unit at our option. This warranty does not cover normal wear of parts and does not apply to any unit that has been tampered with or used for commercial purposes. This limited warranty does not cover damage caused by misuse, abuse, negligent handling or damage due to faulty packaging or mishandling in transit. This warranty does not cover damage or defects caused by or resulting from damages from shipping or repairs, service or alterations to the product or any of its parts, which have been performed by a repair person not authorized by **EURO-PRO Operating LLC**.

This warranty is extended to the original purchaser of the unit and excludes all other legal and/or conventional warranties. The responsibility of **EURO-PRO Operating LLC** if any, is limited to the specific obligations expressly assumed by it under the terms of the limited warranty. **In no event is EURO-PRO Operating LLC** liable for incidental or consequential damages of any nature whatsoever. Some states do not permit the exclusion or limitation of incidental or consequential damages, so the above may not apply to you.

This warranty gives you specific legal rights, and you may also have other rights which vary from state to state.

***Important: Carefully pack item to avoid damage in shipping. Be sure to include proof of purchase date and to attach tag to item before packing with your name, complete address and phone number with a note giving purchase information, model number and what you believe is the problem with item. We recommend you insure the package (as damage in shipping is not covered by your warranty). Mark the outside of your package "ATTENTION CUSTOMER SERVICE". We are constantly striving to improve our products, therefore the specifications contained herein are subject to change without notice.**



PRODUCT REGISTRATION CARD

Please complete and return within ten (10) days of purchase. The registration will enable us to contact you in the event a product defect is discovered. By returning this card you acknowledge to have read and understood the instructions for use, and warnings set forth in the accompanying instructions.

RETURN TO: **EURO-PRO Operating LLC**, 94 Main Mill Street, Door 16, Plattsburgh, NY 12901

PURCHASER:

ADDRESS:

DATE OF PURCHASE: MODEL: **G6118H**

NAME AND ADDRESS OF STORE:

TROUBLESHOOTING

Do not operate the steam generator with a damaged cord, plug or if the iron or any other part of the system has been dropped or damaged. To avoid the risk of electric shock, do not disassemble or attempt to repair the ironing system. Return the appliance to **EURO-PRO Operating LLC** (see Warranty) for examination and repair. Incorrect re-assembly or repair can cause a risk of electric shock or injury to persons when the ironing system is used.

PROBLEM	POSSIBLE CAUSES	SOLUTIONS
No Steam Is Released Through The Iron	<ol style="list-style-type: none"> 1. On/Off button is not in the "ON" position. 2. Steam generator has no more water. 3. Unit is not plugged in. 4. Steam is not visible because the temperature of the soleplate is at maximum and room temperature is high. 5. Generator is not fully heated. 	<ol style="list-style-type: none"> 1. Press the On/Off button to the "ON" position. 2. Fill with water as per instructions. 3. Make sure that the On/Off button is in the "OFF" position and plug the unit into an electrical outlet. 4/5. The heating time for the generator is approximately 11-13 minutes. Watch for the steam ready light to go off indicating that steam is ready.
The Soleplate Remains Cold	<ol style="list-style-type: none"> 1. Temperature is set at "Minimum". 	<ol style="list-style-type: none"> 1. Turn the temperature control dial to the desired setting.
Drops Of Water Leak From The Iron Soleplate	<ol style="list-style-type: none"> 1. Soleplate temperature is too low to iron with steam. 2. Generator is not fully heated. 	<ol style="list-style-type: none"> 1. Turn the temperature control dial to the marks between 2 and 3 dots. 2. Wait for generator to be fully heated.
Dirty Or Yellow Steam Is Coming Out Of The Iron	<ol style="list-style-type: none"> 1. Residue is water tank. 2. Not using demineralized/ distilled water. 	<ol style="list-style-type: none"> 1. Clean steam generator as per instructions. 2. Use demineralized/ distilled water after cleaning the tank.
Steam Leaking From The Boiler Filler Cap	<ol style="list-style-type: none"> 1. Gasket is broken because boiler filler cap was closed too tightly or cap was opened while tank was full of steam and gasket broke. 	<ol style="list-style-type: none"> 1. Order new boiler filler cap from customer service at 1 (800) 798-7398.



ADDITIONAL IMPORTANT SAFEGUARDS



Read all instructions before using the **EURO-PRO Operating LLC** Steam Generator Iron and follow all the instructions and safeguards carefully.



CAUTION! NEVER open the boiler filling cap before ALL the remaining steam has been released from the steam generator and the steam generator has cooled. To release the steam, press the On/Off button to the "Off" position and push the steam button on the iron until no more steam comes out of the iron. Then open the boiler filler cap slowly.

A WORD ON WATER

For best results we recommend using 100% demineralized/distilled water.

You can use regular tap water in your steam generator, but should the water in your area be hard water we strongly recommend the use of 100% demineralized/distilled water. This will prolong the life of your generator and reduce the frequency of required generator cleaning, as well as the possibility of staining due to accumulated impurities.

DO NOT USE WATER PROCESSED THROUGH A HOME WATER SOFTENING SYSTEM OR BOTTLED MINERAL WATER.

DO NOT OVERFILL THE STEAM GENERATOR

When empty, the steam generator can be filled with 26 U.S. fl. oz. of demineralized/ distilled water. Do **NOT** overfill. Overfilling the water tank can cause water drops to come out of the steam holes. See filling instructions on page 5.

DO NOT OVER TIGHTEN THE BOILER FILLER CAP

To close the boiler filler cap, turn clockwise until the point where you feel friction – do **NOT** close too tightly. The boiler filler cap has a gasket which can be flattened and damaged if the cap is closed too tightly. If the gasket is damaged, steam may escape while the steam generator is being used. If the boiler filler cap is damaged and steam is leaking, call customer service to purchase a replacement boiler filler cap.

NEVER LEAVE THE HOT IRON RESTING ON THE IRON REST FOR LONG PERIODS OF TIME

The lifespan of your steam generator will be reduced if the iron is left idle at high temperatures for extended periods of time. If the iron is not in use, reduce the temperature to the lowest temperature setting on the temperature control thermostat, turn the steam generator "Off" and remove the power cord from the electrical power outlet.

WARRANTED FOR REGULAR HOUSEHOLD USE

This Steam Generator Ironing system is intended for and warranted only for normal household use. The iron and/or steam generator should not be used for more than fifteen (15) hours per week in approximately three (3) hour intervals.



Even if you have used a steam generator iron before, please read all instructions and safeguards in the Use and Care Instruction Book. In addition, please note the following user tips:

USING STEAM

PLEASE NOTE: Steam performance improves after the first 6-8 hours of usage. The steam power increases and initial condensation at maximum temperature is reduced.

1. Make sure the temperature setting of the iron is within the steam range on the temperature selector.
2. Turn power on for iron and steam generator. Before starting to use steam, make sure the Steam Ready Light is "**ON**", indicating that steam is available.

NOTE: Trying to use steam before the Steam Ready Light is "ON" can cause water drops in the steam coming out of the iron.

CLEARING THE INITIAL CONDENSATION:

3. Clear the initial condensation by pressing the Steam Button up to 3 seconds. Repeat if necessary.

IMPORTANT NOTE:

4. While using the ironing system, if steam has not been released for more than approximately 5 minutes, the hose has cooled and any steam remaining in the hose from the last use might condense. Clear this condensation by pressing Steam Button before proceeding to use the iron.

OPERATING INSTRUCTIONS

CLEANING & MAINTENANCE



CAUTION! NEVER open the boiler filler cap before ALL the remaining steam has been released from the steam generator and the steam generator has cooled. To release the steam, press the On/Off button to the "Off" position and push the steam button on the iron until no more steam comes out of the iron. Then open the boiler filler cap slowly.

1. We strongly recommend the use of demineralized/distilled water to ensure optimum performance and maximize the life of your steam generator. If you are using demineralized/distilled water, the steam generator should be cleaned once every six (6) to twelve (12) months. If you use regular tap water, the steam generator should be cleaned once a month.
2. Make sure that all the steam has been released from the steam generator before doing any cleaning or maintenance on the appliance. Follow instructions on page 7 for releasing the steam.
3. Remove the power cord from the electrical outlet and let the unit cool down for at least 4 hours after it has been used before starting to clean the steam generator.
4. **NEVER** immerse the iron or the steam generator in water or any other liquid.

CLEANING THE STEAM GENERATOR BASE

1. Make sure that there is no steam remaining in the steam generator.
2. Make sure that the steam generator is completely cold.
3. Remove the boiler filler cap by slowly turning counter clockwise to allow any remaining steam to escape.
4. Fill water tank with a solution of 20% vinegar and 80% water (5 oz vinegar and 21 oz of water) and let sit overnight (8-12 hours).

5. Replace the boiler filler cap and shake.
6. Remove the boiler filler cap and empty the tank. Rinse with water two to three times by filling, shaking and emptying again.
6. Wipe the outside of the steam generator base with a damp cloth.

CLEANING THE STEAM GENERATOR IRON

1. Clean the steam generator iron **ONLY** when cold.
2. **Do NOT** use scouring pads, abrasives or harsh cleansers.
3. Use a commercially sold soleplate cleanser following the manufacturers label instructions.
4. Use a soft damp cloth to wipe the outer shell of the iron.
5. Dry soleplate and iron thoroughly after cleaning.

STORING YOUR STEAM GENERATOR IRON

1. Ensure that the steam generator is depressurized by opening the steam button on the iron until no further steam is escaping.
2. Always unplug the power cord from the electrical outlet when not in use.
3. Always store in a dry place away from the reach of children.
4. Always drain the water tank before storing.
5. Always let your steam generator cool completely before storing.
6. Do not let power cord and steam hose to touch hot surfaces.
7. Wrap the power cord and steam hose around the appliance loosely.

REFILLING THE STEAM GENERATOR

! WARNING! Never direct the steam from the iron at yourself or another person. Special care must be taken when the iron is used in a vertical position. The steam is very hot and can cause burns.

1. Press the steam generator On/Off button to the "OFF" position.
2. Release all the remaining steam in the steam generator by pressing the steam button until no more steam is coming out from the iron.
3. Unplug the appliance from the wall outlet. Allow it to cool for a minimum of 5 minutes.
4. To unscrew the boiler filler cap, push down and turn counter clockwise **slowly**. If any steam continues to escape, **STOP** and release the steam through the iron as in the steps above.
5. Using a measuring cup, fill the water tank with 26 US fl. oz.
6. Replace the boiler filler cap turning clockwise until you get friction. **DO NOT OVERTIGHTEN OR GASKET WILL BE FLATTENED.**

PRESSING TIPS

Dry Steam vs Humid Steam

In a steam generator iron the steam is produced in the generator and not in the iron as with regular household irons. The temperature of the iron determines the type of steam – dry or humid. At high temperatures, the iron delivers very dry steam. Lower temperature settings offer humid steam.

For best pressing results, you have the flexibility to select the type of steam and not only the iron temperature. A balance should be maintained between the humidity (low iron temperature) required to loosen fibers and the need for heat (higher iron temperatures) to flatten/shape and dry the fibers.

PRESSING TIPS (cont.)

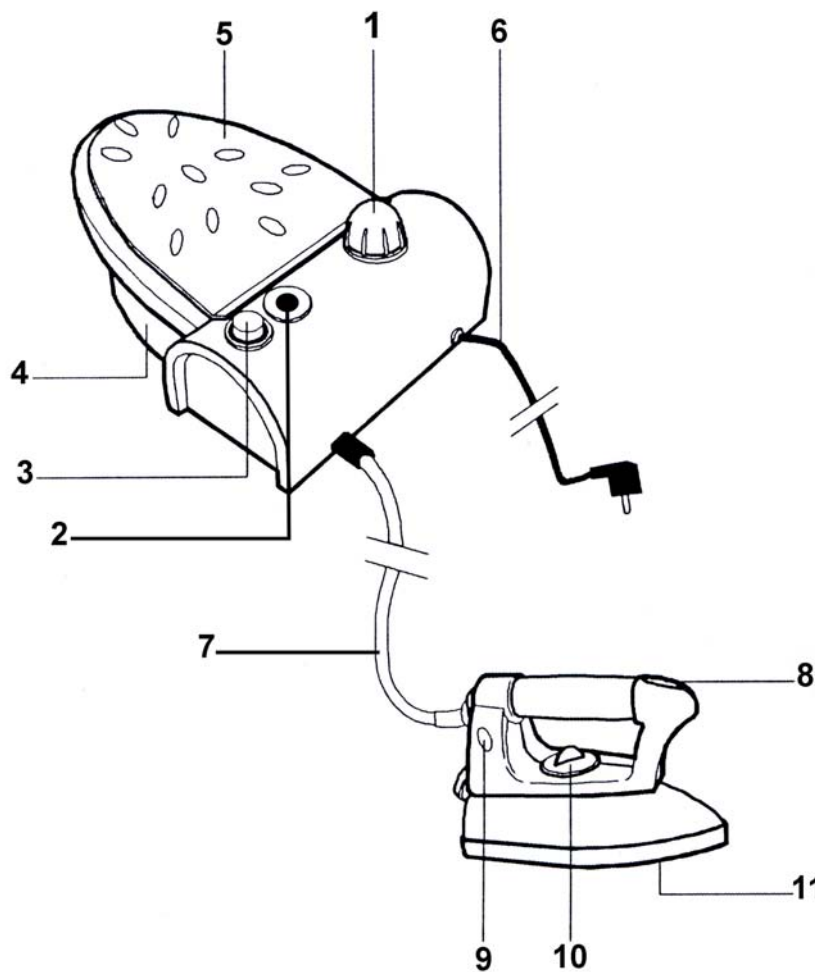
Instructions for specific iron temperature settings should be treated as guidelines only. We recommend that you test each type of fabric on an inside seam before proceeding to iron the garment. The steam generator iron can produce humid steam at relatively low temperature settings where regular household irons would release water. At the same time, the very dry steam produced at the high iron temperature setting "•••" can be used on some fabrics where normally the use of steam is prohibited.

PRESSING DIFFICULT FIBERS (i.e. 100% COTTON)

Your Steam Generator Iron features steam holes placed in the front of the iron soleplate. Correct ironing procedure involves steaming the fabric with the front end of the iron followed by pressing and drying with heat from the rear of the iron. For best results, garments should be dry after pressing to avoid re-wrinkling due to lingering dampness.

Therefore, we recommend that you use the steam as required, but not continually.

While your Steam Generator Iron offers high quality type steam, some fabrics may require additional moisture for best results. You may want to press cotton shirts while still damp or spray with water prior to ironing.



- | | |
|------------------------------|-------------------------------|
| 1. Boiler Filler Cap | 7. Steam Hose |
| 2. Steam Ready Light (green) | 8. Steam Button |
| 3. On/Off Button (red) | 9. Temperature Ready Light |
| 4. Steam Generator Base | 10. Temperature Control Dial |
| 5. Iron Rest Plate | 11. Stainless Steel Soleplate |
| 6. Power Cord | |

Technical Specifications

Voltage: 120V., 60Hz.
 Power: 1500 Watts
 Water Capacity: 26 US fl. Oz.
 Working Pressure: 2.9 bar

OPERATING INSTRUCTIONS

This appliance is for HOUSEHOLD USE ONLY and may be plugged into any 120V AC polarized electrical outlet. Do not use any other type of outlet.

BEFORE FIRST USE

Remove any labels, stickers or tags which may be attached to the body or the soleplate of the iron before using the steam generator.

! WARNING! Never leave the unit unattended while plugged in. Always turn the steam generator "OFF" and remove the power cord from the electrical outlet.

! WARNING! The steam generator must always be turned "OFF" and disconnected from the electrical outlet before any cleaning or maintenance; before filling and emptying the water tank.

FILLING STEAM

GENERATOR WATER TANK

1. Place steam generator unit on a solid flat surface.
2. Unscrew the boiler filler cap.
3. When filling the steam generator water tank, always use a measuring cup to fill your unit. **NEVER** fill the appliance under a tap. Fill the water tank with 26 US. fl. oz. of tap water if the water in your area is not hard water. If it is, then we strongly recommend using 100% demineralized/distilled water. Be careful not to over fill the water tank. Adding too much water will cause overflowing and will result in water drops on the steam.
4. When finished filling, replace the boiler filling cap and screw on tightly.
5. Plug the power cord into an electrical outlet.

6. Press the On/Off button on the steam generator to the "ON" position.
7. Turn the temperature control dial on the iron to the desired temperature setting.

Temperature Control Dial



USING THE IRON WITH STEAM

1. Place the steam generator on a flat stable surface.
2. Fill the steam generator with water.
3. Plug the power cord into an electrical outlet.
4. Press the On/Off button to the "ON" position. The steam ready light will light up when the steam is ready. It will take approximately 11-13 minutes to heat up a full tank of water. The steam ready light will go on and off while the steam generator is in use.
5. Turn the temperature control dial to the desired temperature setting designated for use with steam, i.e. between the two "••" and the three "•••" dots on the temperature control dial. The temperature ready light will light up. The iron will have reached the desired temperature setting when the temperature ready light will go off.
6. Press the steam button on the handle of the iron to release the steam.

Note: Trying to use steam before the steam ready light has come on can cause water drops to come out of the iron instead of steam.

! WARNING! Never direct the steam from the iron at yourself or another person. Special care must be taken when the iron is used in a vertical position. The steam is very hot and can cause burns.

OPERATING INSTRUCTIONS

DRY IRONING

1. Place the steam generator on a flat stable surface.
2. Plug the power cord into an electrical outlet and press the On/Off button to the "On" position.
3. Set the temperature control dial according to the garment label or use the temperature guide below.
4. The temperature ready light will go "OFF" when the desired temperature has been reached.
5. You can iron at any temperature setting without steam.

TEMPERATURE SETTINGS

- Always read the garment labels and follow the manufacturer's directions when pressing a garment.
- For maximum efficiency, iron garments requiring lowest temperature setting first as the iron heats up faster than it cools down.
- If there are no instructions included with the garment, we suggest that you follow the temperature guide on page 6 as a guide (except when any fabric has an applied finish, gloss, etc. where lower temperatures might be required).
- Always iron fabric blends, (fabrics made of two or more types of fibers) using the heat setting appropriate for the fabric requiring the lowest temperature setting.

NOTE: For best results, make sure that the steam generator is filled to the maximum level before every use.

IRONING TEMPERATURE GUIDE

Check garment labels for instructions i.e. do not iron chlorofiber		
FABRICS	TEMPERATURE RANGE	SUGGESTED AMOUNT OF STEAM
SYNTHETIC: Acetates, Acrylics Cresian, Metallics Sheer Synthetic Polyester, Dacron Fortrel, Perma Press, Nylon		Dry Ironing (without steam)
Silk		Pure silk sometimes requires steam
Wool		Humid Steam
Cotton		Normal Steam
Linen	MAX	Super Dry Steam