

EURO-PRO X™

DELUXE

HYDRA STEAMER

**1500 Watt
Model SC412**

USE & CARE INSTRUCTIONS



Congratulations! You are the owner of the ultimate in modern **Vapor Steam Cleaning** equipment. To fully enjoy the advantages of your appliance, please take a few minutes to read all the "Use & Care Instructions" and keep the instructions handy for ready reference. Please review the product warranty and mail the owner registration form.

For information or assistance:

USA: EURO-PRO Operating LLC
94 Main Mill Street, Door 16
Plattsburgh, NY 12901
Tel.: 1 (800) 798-7398

Canada: EURO-PRO Operating LLC
4400 Bois Franc
St. Laurent, QC H4S 1A7
Tel.: 1 (800) 798-7398

www.euro-pro.com

IMPORTANT SAFEGUARDS

When using your **DELUXE HYDRA STEAMER**, basic safety precautions should always be observed, including the following:

1. Read all instructions before using Deluxe Hydra Steamer.
2. Use the system only for its intended use.
3. To protect against a risk of electric shock. Do not immerse any part of the system in water or other liquids.
4. The system should always be turned OFF before plugging into or unplugging from outlet. Never yank cord to disconnect from outlet; instead, grasp plug and pull to disconnect.
5. Do not allow cord to touch hot surfaces. Let the system cool completely before putting away or opening water tank (removing the safety cap). Wrap cord loosely around system when storing.
6. Always disconnect system from electrical outlet when filling with water or emptying and when not in use. Always turn the safety cap slowly when opening the water tank . This will allow any remaining steam to escape gradually.
7. Always make sure that there is no steam in the steam generator (water tank) before opening the safety cap. Follow instruction to release all remaining steam through the steam cleaner by pressing the steam release button. Unplug the unit and allow to cool before starting to open the safety cap. Always turn the cap slowly when opening the water tank to allow any remaining steam to escape gradually.
8. Do not operate the system with a damaged cord or plug, or if the steam cleaner or any other part of the system has been dropped or damaged. To avoid the risk of electric shock, do not disassemble or attempt to repair the Deluxe Hydra Steamer. Return the system to **EURO-PRO** Operating LLC (see warranty) for examination and repair. Incorrect re-assembly or repair can cause a risk of electrical shock or injury to persons when the Deluxe Hydra Steamer is used.
9. Close supervision is necessary for any appliance being used by or near children. Do not leave the system unattended while connected.
10. Burns can occur from touching hot metal parts, hot water or steam. Use caution when turning the system upside down as there may be hot water in the unit. Never direct steam at any person. The steam is very hot and can cause burns.
11. Do not operate in the presence of explosive and/or flammable fumes.
12. This appliance is intended only for household use. Follow all user instructions in this manual.
13. Never use any chemicals or substance other than tap water in the machine. Use of chemicals may damage the machine. Use of chemicals will automatically void your warranty.

To reduce the risk of fire, electric shock, or injury:

- Do not leave steam cleaner when plugged in. Turn off the switch and unplug the electrical cord when not in use and before servicing.
- Do not allow to be used as a toy. Close attention is necessary when used by or near children, pets or plants.
- Use only as described in this manual. Use only manufacturer's recommended accessories.
- Do not pull cord, use cord as a handle, close a door on cord, or pull cord around sharp edges or corners. Keep cord away from heated surfaces.
- Do not use extension cords or outlets with inadequate current carrying capacity.
- Turn off all controls before unplugging from electrical outlet.
- Do not unplug by pulling on cord. To unplug, grasp the plug, not the cord.
- Do not handle plug or steam cleaner with wet hands or operate without shoes.
- Do not put any objects into openings. Do not use with any opening blocked.
- Store your steam cleaner indoors in a cool, dry area.
- Keep your work area well lighted.
- **Never turn the appliance over or on its side when using steam. Never direct steam towards people, animal or plants.**
- Do not immerse the steam cleaner into water or other liquids. Always unplug the power cord from the electrical socket when filling the steam cleaner.
- **Never put descaling, aromatic, alcoholic or detergent products into the steam cleaner, as this may damage it or make it unsafe for use.**

SAVE THESE INSTRUCTIONS

Rev. 03/02B

IMPORTANT SAFEGUARDS

Continued

SPECIAL INSTRUCTIONS

1. To avoid circuit overload, do not operate another appliance on the same socket (circuit)
2. If an extension cord is absolutely necessary, a 15 ampere 14 gage cord should be used. Cords rated for less amperage may overheat. Care should be taken to arrange cord so that it cannot be pulled or tripped over.
3. Do not leave unattended when the system is connected to a power supply/electrical outlet.

SAVE THESE INSTRUCTIONS FOR HOUSEHOLD USE ONLY

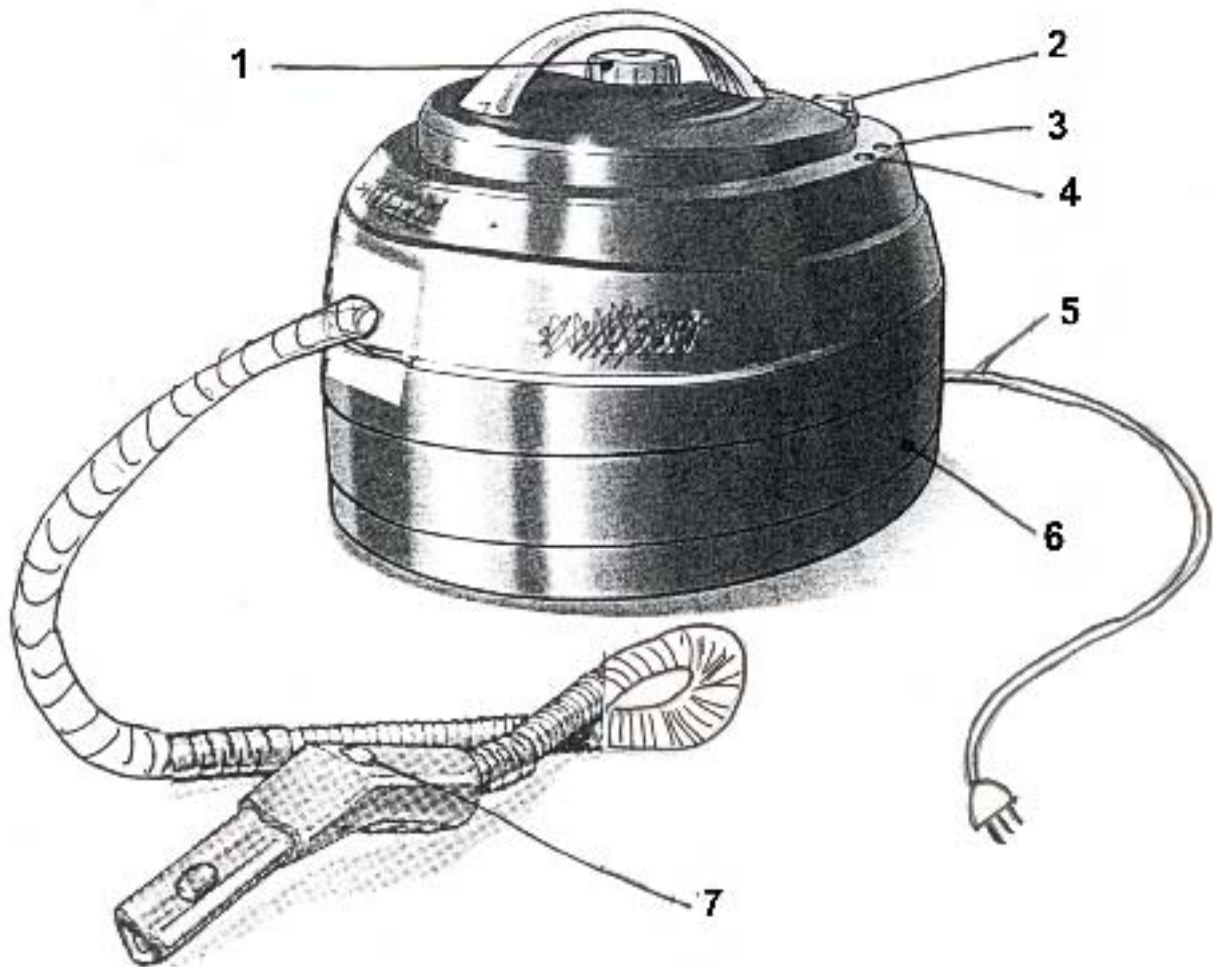
WARNING: This appliance is equipped with a grounded-type 3-wire cord (3-prong plug). This plug will only fit into an electrical outlet made for a 3-prong plug. This is a safety feature. If the plug should fail to fit the outlet, contact an electrician to replace the obsolete outlet. Do not attempt to defeat the safety purpose of the grounding pin, part of the 3-prong plug.

- ◆ **CAUTION:** TO PROVIDE CONTINUED PROTECTION AGAINSTRISK OF ELECTRIC SHOCK, CONNECT TO PROPERLY GROUNDED OUTLETS.
- ◆ NOT FOR SPACE HEATING PURPOSES.
- ◆ DO NOT IMMERSE IN WATER.



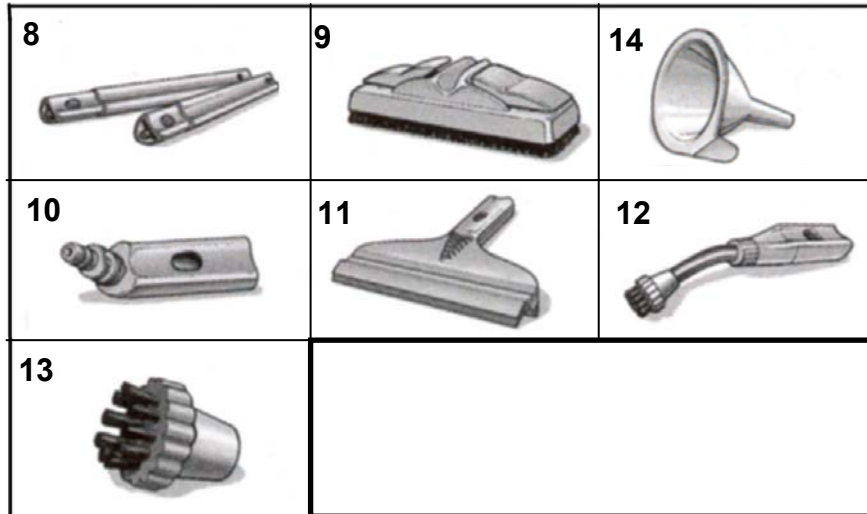
DELUXE HYDRA STEAMER

Model SC412
110 volts, 1500 watt



- 1 - Safety Cap for Steam Generator / Water Tank
- 2 - Push On/Off Switch for the System
- 3 - Steam On Light
- 4 - Add Water Light
- 5 - Power Cord
- 6 - Steam Cleaning Unit
- 7 - On/Off Steam Switch

List Of Accessories Packed With Unit



- 8 - Extension Tubes
- 9 - Rectangular Brush for Floor
- 10 - Angle Adapter
- 11 - Glass & Tile Squeegee

- 12 - Detail Cleaning Attachment
(on the photo small brush is attached)
- 13 - Small Nylon Detail Brush (2)
- 14 - Water Filling Funnel

Technical Specifications

Voltage: 110V 60Hz.
 Power: 1500 Watts
 Max Steam Pressure: 4 Bar (58 PSI)
 Water Capacity: 2 US Quarts (2 Liters)
 Max. Steam Temperature: 240°F
 Steam Generator: Stainless Steel 18/10

Operating Instructions - Components

On/Off Switch:

The unit is “On” when the switch (#2) is in the “Pushed down” position. The unit is “Off” when the switch is in its “Up” position.

Safety Cap (#1)

In order to open the Safety Cap, first press it down and then turn counter clockwise.

Caution: Read the instruction for “Filling the Water Tank” before opening the Safety Cap.

Steam Indicating Light (Yellow) (#3)

When this light is “On”, it indicates that the steam is ready to use.

Important: This light will go “On” and “Off” during usage showing that the steam is being generated.

Add Water Light (Red) (#4)

This light will go “on” when the water level is low.

Important: Before adding water, read the instructions for adding water.

Depending on the ambient room temperature, this light might go on for a short period during initial tank heating.

On/Off Steam Switch (#7)

Setting this switch to the “On” position will start the flow of steam.

Caution: The On/Off Steam Switch located on the handle must be in the “Off” position before attaching or disassembling accessories.

Starting Your Hydra Steamer

<p><u>CAUTION:</u> Do not plug in the machine during filling. Use a grounded receptacle. Use only a heavy duty extension cord rated for 15 amps - Do not use an ordinary extension cord.</p>

Filling Your Steam Generator With Water

Step 1: Press down Filler Cap (#1) and turn counter clockwise until removed.

Step 2: Place Filler Funnel in tank and add two quarts of clean tap water. Do not overfill. Replace Filler Cap by turning clockwise - press down firmly to tighten. It is ok to use hot water. This reduces heating time.

Step 3: Plug the machine into a standard 110/120 volt wall (3-prong) receptacle. Depress Heater On/Off Switch (#2).

Filling Your Steam Generator With Water (continued)

- Step 4:** Allow approximately 10 minutes for vapor to reach its working temperature and pressure. When these have been reached, the Yellow indicator (#3) will light. The machine is ready to operate.
- Step 5:** Add desired attachments. After attachments are in place, activate vapor flow by pressing the On/Off Switch (#7) on the handle. Note: After you start using steam, the Yellow Indicator (#3) will go out. If you stop the use for several minutes, the Yellow Indicator (#3) will go back on.
- Step 6:** At the start, some water will come out from the nozzle of the attachment. This is unheated water in the hose.
- A. Depending upon the ambient temperature, this Red Warning indicator (#4) might light up during the initial tank heating. Go ahead and vent the hose and start use. After approximately 2 to 3 minutes of use, this indicator will go out. Continue normal use.
- B. The Red Indicator (#4) functions as a low water warning. When your vapor pressure significantly decreases and the Red Indicator (#4) lights, release all pressure through the nozzle by pressing Steam Switch (#7) to “On” and allow the machine to cool. To refill, repeat steps #1 through #6.



If the “Add Water” Light (#4) Turns “On” During Cleaning, Indicating Low Water Level, Follow the Instructions Below to Refill the Steam Generator.

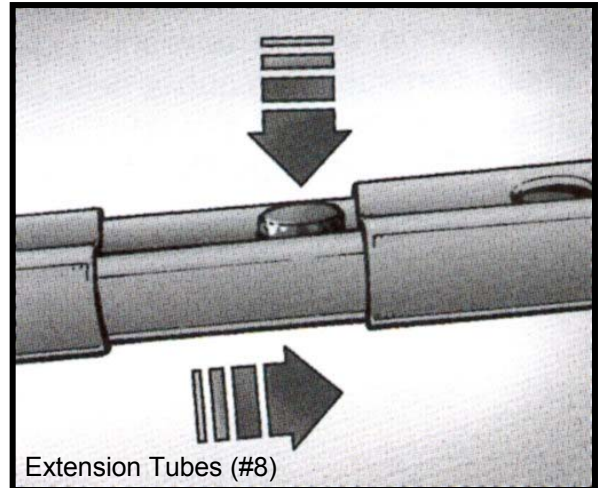
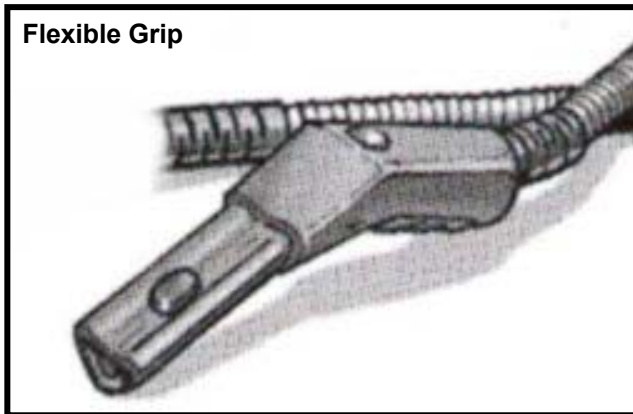
- Step 8.** Push the On/Off Switch (#2) to its “Off” position.
- Step 9.** Push the On/Off Steam Switch (#7) to its “On” position to release all the steam left in the steam generator, then turn the switch to “Off” position.
- Step 10.** Unplug the power cord (#5) from the wall socket.
- Step 11.** Follow instructions to fill the Steam Generator as shown above in Step #1.

Caution: When refilling the machine while it is still hot, the first drops of water might bubble up.

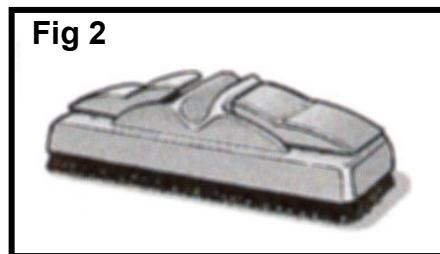
Using Your Accessories

Attaching the extension tubes (#8) to the Pistol Grip (with On/Off Steam Control) and to the other accessories.

To insert the extension pipes (#8) one in the other, in the flexible pipe grip and in the attachments, press the knob ensuring that it fits into the hole. To disconnect, repeat this operation by pressing the knob and pulling on the two parts.



Note: The angle adapter (fig. 1) is already attached to the rectangular brush (fig. 2)



Attaching the Angle Adapter

Attaching the Angle Adapter (fig. 1) to the brush for floor and carpet (fig. 2).

Hold the brush with its bristles pointing down in your left hand. With the "Angle Adapter" (fig.1) pointing downward, insert it into the hole in the back of the brush, then turn the "Angle Adapter" (fig.1) 180°.

Removing the Angle Adapter

To remove the Angle Adapter from one brush to insert to the other:

Hold the brush (fig. 2) with its bristles pointing down in your left hand. Turn the angle adapter (fig. 1) 180° (pointing downward) and then pull.

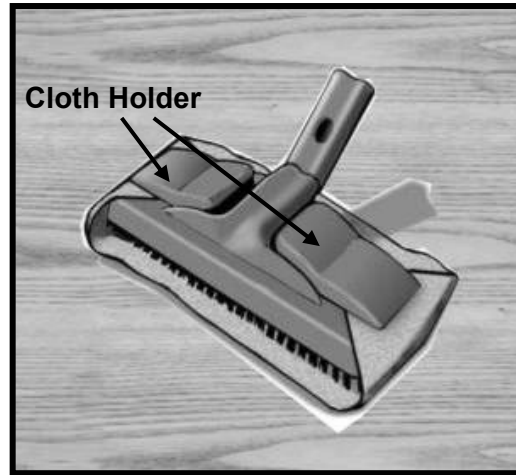
Attachments

Brush for hard floors (#9).

100% white terry cloth towel can be fitted on this brush as to absorb the dirt and protect delicate surfaces. It can also be used on vertical washable surfaces following the same procedure as for the floor.

Important: Please note that bristles may break through thin towels. We recommend that two (2) towels, laid one on top of the other be used. This will ensure that the brush bristles do not break through and that the towels will be sufficiently absorbent and retain as much dirt as possible.

Very Important: When installing the towels to the floor brush, ensure that the towels do not cover the front and the back of the brush. (See fig. E)



Brush Wrapped With Terry Cloth

How to fit the Towel Over the Rectangular Brush (#9)

Important: Please note that bristles may break through thin towels. If you don't have thick enough towels, please use 2 towels.

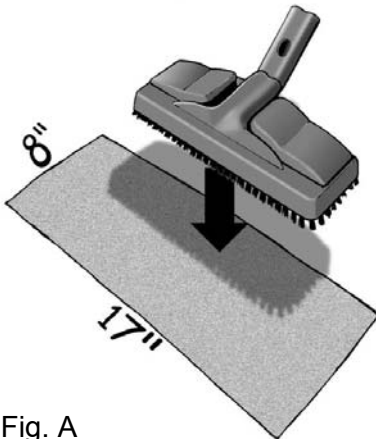


Fig. A

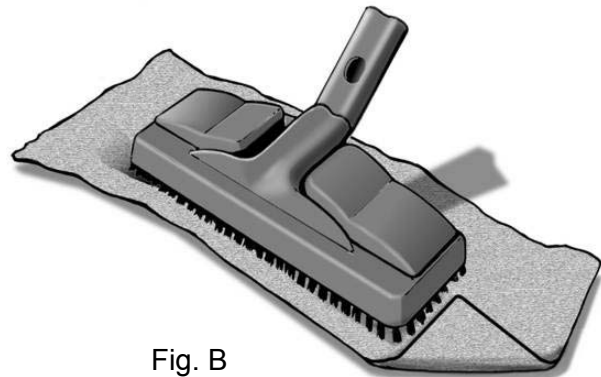


Fig. B

1. Prepare white terry cloth towel: size 8" x 17"
2. Place the brush on top of the towel.

3. Fold the towel as shown in Fig. B

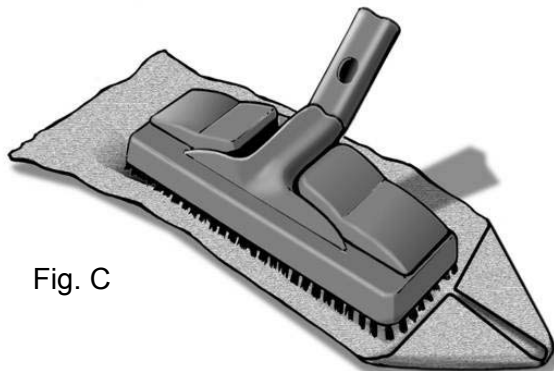


Fig. C

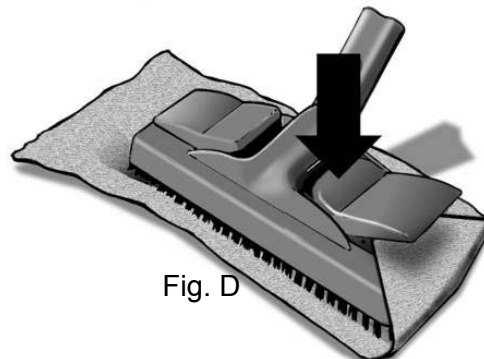
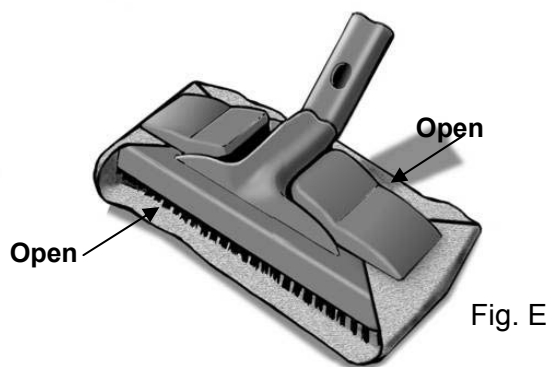


Fig. D

4. Fold the other side of the towel as shown in Fig. C.

5. Place the corner under the cloth holder as shown in Fig. D.

How to fit the Towel Over the Rectangular Brush (#9) cont.



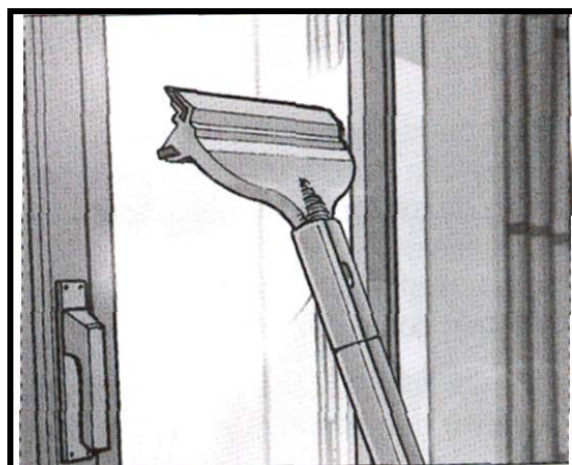
6. Place the towel around the brush, and repeat folding the towel as shown in Fig. E. When folding the towel, leave some slack. **Do not** pull tightly around the brush, leave some looseness.

Glass & Tile Squeegee

This attachment is very useful for cleaning large windows, plastic material, ceramic, tiled surfaces, marble planes, etc.

Apply steam abundantly, rub with the spongy side and remove with the glass wiping rubber.

Caution: When cleaning outside windows, always avoid any sudden changes in temperature to prevent breakage or cracks.



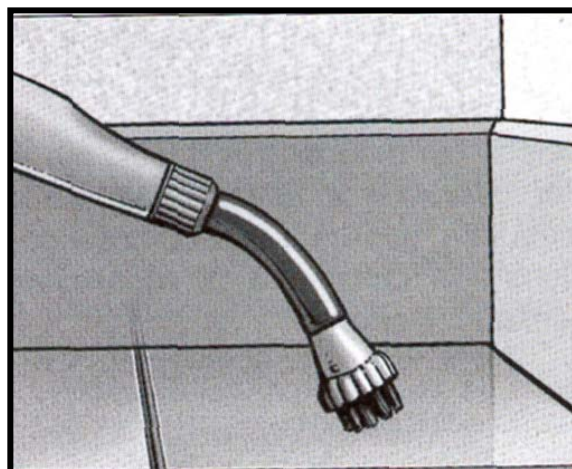
Detail Cleaning Attachment (Spray Nozzle #12)

This attachment is very useful for cleaning surfaces that are difficult to reach. It is ideal for radiators, door and window jambs, shutters and sanitary fixtures. The following parts can be applied to this attachment:

- small nylon detail brush (#13)
Push the small brush onto the end of the detail cleaning attachment (#12).

Small Nylon Detail Brush (#13)

It is best for cleaning in-between the tiles, ceramic, marble, wooden floors.



Tips On How To Use Your System

Water

- Use tap water for all your cleaning needs.
- However, if you live in an area with hard water, use demineralized/distilled water when cleaning light colored fabrics to eliminate the possibility of hard water stains.

Temperature

- The vapor temperature at the tip of the nozzles is between 220°F and 240 °F.
- The temperature of the vapor falls to 100 °F at a distance of 10 inches from the nozzle.

Warning: A towel wrapped around the brush can become hot enough to burn. Make sure that you let the towel cool off before touching it.

Using Towels

- For best results use 100% cotton white terry cloth towels. Please note that bristles may break through thin towels. If you don't have thick enough towels, please use two towels.
- Use correct size of towel (8" x 17") to allow you to wrap the towel around the brush and clip it under the spring loaded cloth holder. When folding the towel, leave some slack. **Do not** pull tightly around the brush.
- The purpose of using a towel is to absorb moisture and dirt being cleaned. Use always dry towels. A wet towel will smear the dirt.
- Wash towels with string detergent and bleach.
- Using scented fabric softener while washing the towels will cause the scent to be released into the air when using the towels with your steam system.

Efficient Work

- Wipe always from the top down, in this way the dirty drops will not dirty surfaces already cleaned.
- Avoid changing brushes back and forth while cleaning.
- Start with the smallest brush to clean tight spots and corners first.
- Wipe dirt as soon as possible, otherwise it will dry and stick to the surface.

Using Your Vapor Steam Cleaner

Wood, Vinyl and Marble Floors

Use the large floor brush with a terry cloth attached. Move the brush across the floor as if you are mopping. When the towel is soiled, you can turn the towel over or replace it with a clean towel. If you are working on a very dirty area, you can move the brush over the area slowly, several times. If it is a wood floor, move fast to avoid heat or moisture buildup in the wood. By cleaning with the towel over the brush, you will not affect the shine on the floor.

To Strip Wax: Use rectangular brush for open areas; small nylon detail brush for corners or tight areas - no towel, slow strokes. Work a small area at a time - remove the emulsified wax from the floor. When all of the wax has been stripped, immediately clean the floor and brushes with water before residue has a chance to harden on them. Go back over the stripped area with the rectangular brush with a towel to remove any remaining residue before waxing.

To Clean Waxed Floors: Wrap clean towel around the rectangular brush, brush quickly. This will cause the dirt to be removed.

Vinyl Floors: Do not allow heat to buildup in any kind of vinyl, since it can soften it enough to affect its texture. Work fast on vinyl.

Tile Floors: Use a detail attachment with the small nylon detail brush attached to an extension. Have the large floor brush with cloth attached ready as well. Clean the grout of the tile with the small nylon detail brush. Remove the detail attachment and attach the large floor brush/ move the brush across the floor to clean the tile and remove excess moisture and residue. For areas of tile that are very dirty, remove the towel and agitate with the brush. Do not let the area dry before you wipe it up.

Walls

Use the large floor brush with a terry cloth towel depending on the surface area to be cleaned. For painted surfaces, use the brush with a terry cloth attached to remove stains or spots. Be sure that the paint is not a water-based paint that you are cleaning. The extreme temperature may damage the finish or even remove the paint.

Ceilings

Use the large floor brush with a terry cloth towel attached. Clean painted ceilings as you would clean a painted wall. If there is a heavy stain, you may expose the brush to get to an isolated area. Use caution where water-based paint exists.

Wall Paper

Vinyl or Normal Wall Paper - Use two terry cloth towels with the large floor brush to prevent bristles from poking their way through the towel while you are cleaning the wall. Use smooth, rapid strokes.

Note: Work quickly while you are cleaning any kind of wall paper.

Window, Glass Surfaces and Mirrors

Use the glass and tile squeegee. Work with the vapor jet down using the top to bottom movements. Use the squeegee with the vapor off to clear the water from the glass. To do this without leaving streaks, use lateral movements from the top to the bottom of the surface. When cleaning outside windows, always avoid any sudden changes in temperature to prevent breakage or cracks.

Fiberglass or Stainless Steel Surfaces

Use small nylon detail brush. Slowly move the brush over the surface to be cleaned. The vapor will emulsify the dirt and grease on the surface. Follow behind with a terry cloth towel over the brush to remove excess moisture and residue.

Tip: An old idea for polishing stainless steel is to wipe it down with seltzer soda water after it is cleaned.

Soap Scum

Soap scum dissolves almost immediately under a combination of heat and moisture. Use the rectangular brush with a terry cloth towel clipped over it and move quickly. Rinse the surface with a small amount of water afterwards or go back over it once more with a clean terry cloth towel.

Notes: Soap scum sometimes will develop a hard surface from waterborne minerals. If this is the case, use the rectangular brush with no towel first to break up this surface - or spray or wipe first with lemon, vinegar or seltzer soda water to soften the minerals.

Moving too slowly can dry out the soap scum and cause it to granulate on the surface. The surface will have a gritty feel. If this happens, apply vapor to the surface with the open brush again and re-clean.

Garden Furniture

Use any of the brushes depending on the surface area.

Vertical and Horizontal Blinds

Use the rectangular brush with a terry cloth towel. Move the brush over the surface, allowing enough time for the vapor to penetrate.

For badly soiled areas, use the brush without the cloth first to loosen dirt.

Bathroom Areas

To clean the bathtub or shower area, use the small nylon detail brush for grout, shower door tracks, hard to get areas and heavily soiled areas. The rectangular floor brush with a terry cloth towel attached will be the most efficient way to clean the rest of the area. The steam cleaner can be used to remove and kill mold or mildew stains. Just allow plenty of time for the heat to penetrate the surface. This is especially helpful in the shower area if there is tile or grout.

Removal of soap scum on tile, grout, and shower doors is also easier with the steam cleaner.

To clean sanitary fixtures, use small nylon detail brush. Use a terry cloth towel or paper towel to wipe up excess moisture and residue.

To clean the sink and faucets, use small nylon detail brush.

Exterior Areas

To clean your car, use the rectangular brush with a terry cloth towel attached to clean upholstery and interior areas just as in the home. You should not expose the bristles to leather - use only the brush with the terry cloth towel attached. For detailing the wheels, use the detailing attachment, the small nylon detail brush. Outer windows are cleaned best by applying the vapor with the small nylon detail brush and following with a paper towel.

To clean bicycles, use the small nylon detail brush.

To clean equipment, use the small nylon detail brush, depending on the surface area.

Artificial Plants

Use the detail attachment without a brush attached to blow off the dust and dirt.

Nicotine and Tar

Nicotine and tar dissolves at high temperatures and becomes a light yellow oil that has the consistency of sewing machine oil. When the nicotine/tar film is touched by a hot terry cloth towel clipped over the rectangular brush, it immediately dissolves and flows into the towel. You can remove it from flat surfaces as fast as you can move the brush over the surface.

Removing Wax, Tar, Etc.

Many stains are only stuck on the surface of materials and can be easily and quickly removed by “blowing” excess material away from the surface from the side. This is accomplished by using the detail attachment. Hold the terry cloth towel to the side to catch the loose residue as it is blown by the detailer.

Note: Always vacuum any loose residue off the surface before you apply vapor to it.

Hints

The Deluxe Hydra Steamer has many uses that are not stated above. This was meant only to give you a general idea of what can be achieved with the Deluxe Hydra Steamer system. However, the ways in which to use the attachments and brushes are in most cases universal. It is most helpful to always have a terry cloth towel or paper towel ready to use for removal of moisture and residue. 100% white cotton towels work best.

You can clean the brushes with your steam cleaner. For the larger pieces, hold at one end and use the detail attachment without a brush attached to simply blow off dirt into the garbage can. For the small detail brush, use a pair of pliers to hold and blow dirt as above or place in the basket of your dishwasher.

Use the Deluxe hydra Steamer for pet spots. It will clean urine and other stains, as well as odor, from the carpet and upholstery.

Note: Wipe immediately before the cleaned area dries.

Refrigerator - Use the nozzle to blow away dirt in the ice machine and on door seals. The vapor will not dry out or crack the seals as chemicals often do. Can openers and other kitchen equipment can be easily cleaned with the nylon detail brush on the nozzle to get into all the nooks and crannies.

Mold stains around door gaskets can be removed with the small nylon detail brush.

To clean microwaves or other appliances use the nylon detail brush for small areas and the rectangular brush with terry cloth towel for larger areas.

To clean counter tops, use the rectangular brush with a terry cloth towel attached. For heavily soiled areas, use the brush without the terry cloth towel first in order to loosen the debris, then follow with a terry cloth towel attached to finish.

Model SC412



LIMITED WARRANTY

EURO-PRO Operating LLC warrants this product to be free from defects in material and workmanship for a period of one (1) year from the date of purchase when utilized for normal household use by the original purchaser only. The attached Warranty Registration Card must be filled out and returned within 10 days of purchase. This is essential for your Warranty to be effective should any problem arise with this product.

Should any defect covered by the terms of the limited warranty be discovered within one year, **EURO-PRO Operating LLC** will repair or replace any defective part provided the unit is returned by the original purchaser, freight prepaid, to **EURO-PRO Operating LLC**, 94 Main Mill Street, Door 16, Plattsburgh NY 12901. Proof of purchase date and \$15.00 for handling and return packing/shipping charges must be included.*

The liability of **EURO-PRO Operating LLC** is limited solely to the cost of the replacement parts or the complete unit at our option. LABOUR CHARGES ARE NOT INCLUDED.

This warranty does not cover normal wear of parts and does not apply to any unit that has been tampered with or used for commercial purposes. This Limited Warranty does not cover damage caused by misuse, negligent handling, or damage due to faulty packaging or mishandling in transit (by any common carrier).

This warranty is extended to the original purchaser of the unit and excludes all other legal and/or conventional warranties. The responsibility of **EURO-PRO Operating LLC**, if any, is limited to the specific obligations expressly assumed by it under the terms of the limited warranty. In no event is **EURO-PRO Operating LLC** liable for incidental or consequential damages of any nature whatsoever. Some States do not permit the exclusion or limitation of incidental or consequential damages, so the above may not apply to you.

This warranty gives you specific legal rights which vary from state to state.

PURCHASER _____
DATE OF PURCHASE _____
DEALER _____

SERIAL No.
[Dashed box for serial number]

*Important: Carefully pack item to avoid damage in shipping. Be sure to attach tag to item before packing with your name, complete address and phone number with note giving purchase information, model number and what you believe is the problem with item. We recommend you insure the package (as damage in shipping is not covered by your warranty). Mark the outside of your package "ATTENTION CUSTOMER SERVICE".



OWNERSHIP REGISTRATION CARD

Please complete and return within ten (10) days of purchase. The registration will enable us to contact you in the event a product defect is discovered. By returning this card you acknowledge to have read and understood the instructions for use, and warnings set forth in the accompanying instructions.

RETURN TO: **EURO-PRO Operating LLC**, 94 MAIN MILL STREET, DOOR 16, PLATTSBURGH, N.Y. 12919
IN CANADA: 4400 BOIS FRANC, ST. LAURENT, QUEBEC, H4S 1A7

PURCHASER:

ADDRESS:

CITY: STATE/PROV.: ZIP/POSTAL CODE.....

DATE OF PURCHASE: MODEL: **Model SC412**

SERIAL No:

NAME AND ADDRESS OF DEALER:

.....