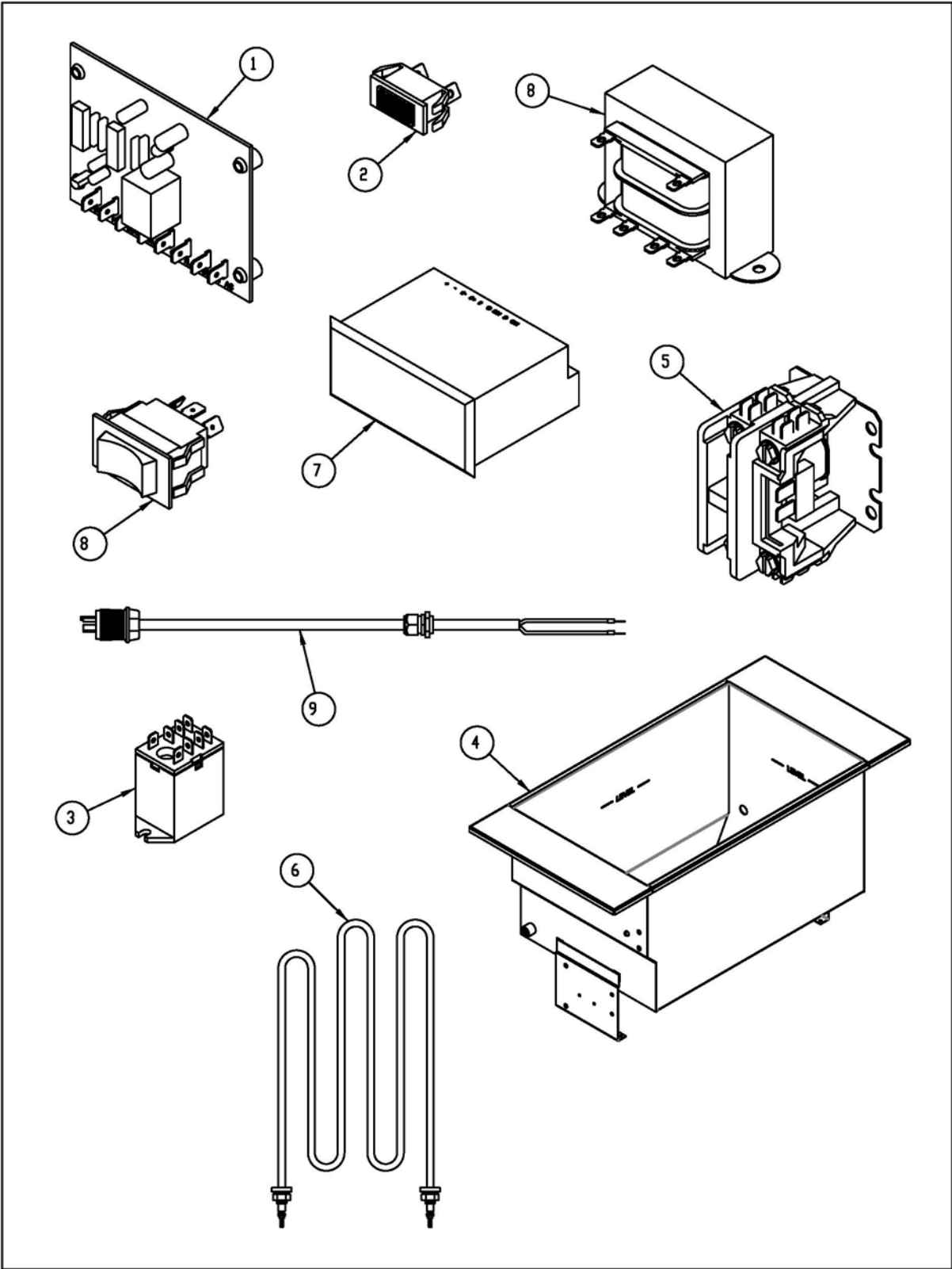




Tim Horton's
Exploded Parts Manual
TH-CRTE



PARTS

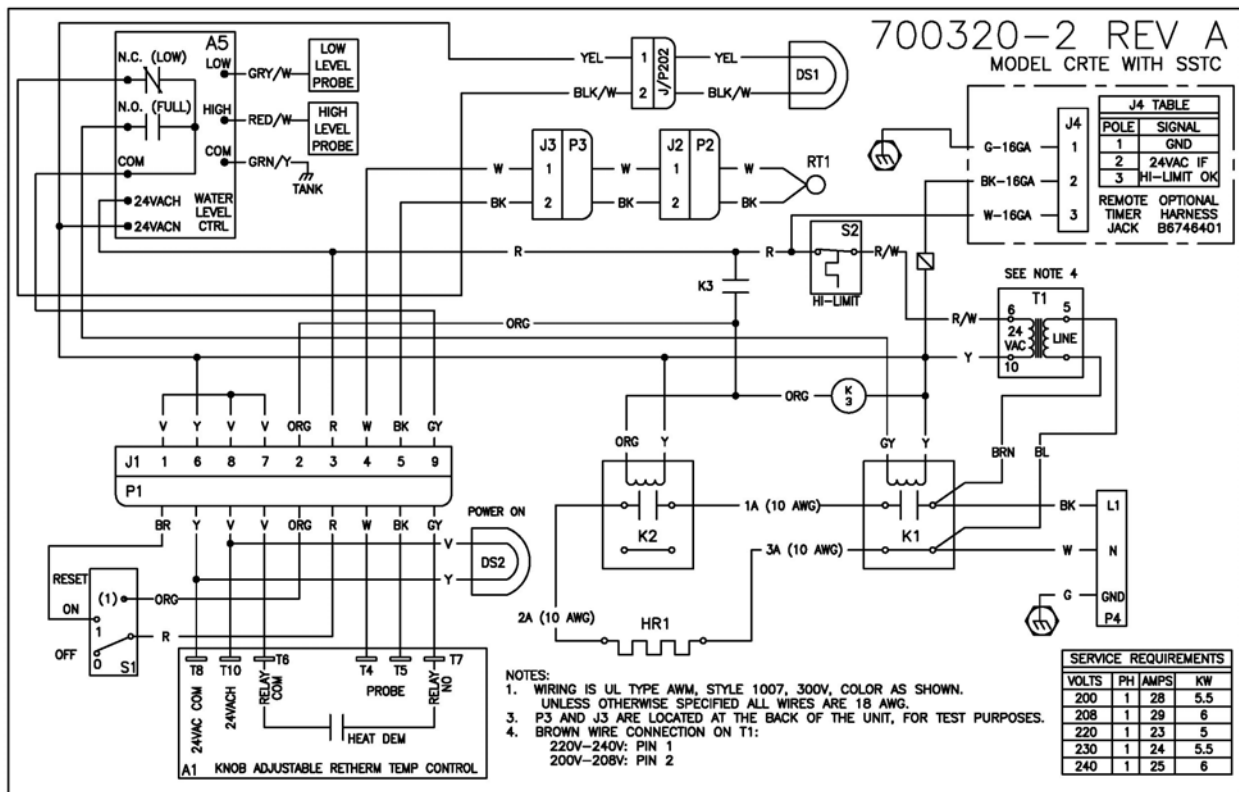




PARTS LIST

Item	Part No.	Description
1	60087202	Control, Liquid Level 24VAC
2	P5045044	Lamp, 28V Amber Rectangle
	P5045040	Lamp, 28V Red Rectangle
3	P5046688	Relay, 24VAC SPDT
4	B3323301	Tank, Weldment CRTE
5	60131201	Contact, 24V, 1 Pole 30A
6	50008301	Element, Tubular 6KW 208V
	50008302	Element, Tubular 6KW 240V
NS	60171201	Control, Thermostat Solid State 140-200F
NS	P8905-15	Probe, Temperature "Solid State"
NS	60128601	Switch, High Temperature Limit
7	PP10210	Transformer, 40VA 120/208/240V TO 24V
8	PP10559	Switch, Rocker DPDT 0-1-(1)
9	60129102	Cord, 30A Sleeved Twist Lock Plug, NEMA-L6-30P
	60129103	Cord, 30A Right Angle Plug, NEMA-L6-30P
NS	60129001	Drain Hose, Assembly CRTE 4 Foot
10	700320-2	Electrical Schematic

Electric Schematic



In the event of problems with or questions about your order, please contact the Pitco factory at:

(603) 225-6684 World Wide
www.Pitco.com

In the event of problems with or questions about your equipment, please contact the Pitco Authorized Service and Parts representative (ASAP) covering your area, or contact Pitco at the numbers listed to the left.

MAILING ADDRESS – P.O. BOX 501, CONCORD, NH 03302-0501
SHIPPING ADDRESS – 10 FERRY ST., CONCORD, NH 03301