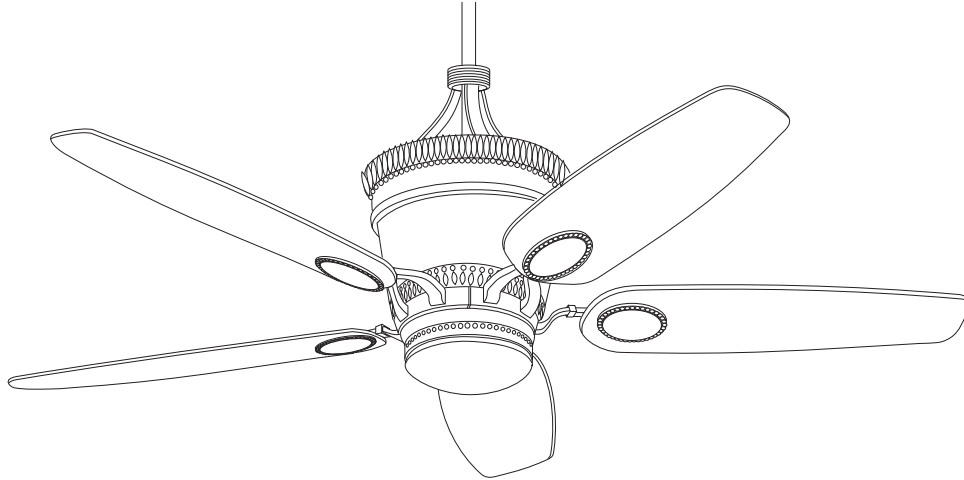


**READ AND SAVE THESE INSTRUCTIONS**



**EMERSON™**

**DUNNINGTON™**

**Ceiling Fan  
Owner's Manual**

**Model Numbers**

**CF3100AGW00**  
**Aged Walnut**

**CF3100BZH00**  
**Bronze Heritage**

Net Weight: **26.0** Lbs.

**⚠ WARNING**

**WARNING:** To avoid fire, shock, and serious personal injury, follow these instructions.

**Safety Instructions**

1. Read your owner's manual carefully and keep it for future reference
2. Before servicing or cleaning unit, switch power off at service panel and lock service panel disconnecting means to prevent power from being switched on accidentally. When the service disconnecting means cannot be locked, securely fasten a warning device, such as a tag, to the service panel.
3. Be careful of the fan and blades when cleaning, painting, or working near the fan. Always turn off the power to the ceiling fan before servicing.
4. Do not put anything into the fan blades while they are turning.
5. Do not operate reversing switch until fan blades have come to a complete stop.

**Additional Safety Instructions for Installation**

1. To avoid possible shock, be sure electricity is turned off at the fuse box before wiring, and do not operate fan without blades.
2. All wiring must be in accordance with the National Electrical Code "ANSI/NFPA 70-1999" and Local Electrical Codes. Use the National Electrical Code if Local Codes do not exist. The ceiling fan must be grounded as a precaution against possible electrical shock. Electrical installation should be made or approved by a licensed electrician.
3. The outlet box must be securely mounted in accordance with the manufacturer's instructions. Use only U.L. outlet boxes listed as "Acceptable for Fan Support", and use the mounting screws provided with the outlet box. Most outlet boxes commonly used for support of light fixtures are not acceptable for fan support and may need to be replaced. Consult a qualified electrician if in doubt.
4. The fan must be mounted with the fan blades at least 7 feet from the floor to prevent accidental contact with the fan blades.
5. Follow the recommended instructions for the proper method of wiring your ceiling fan. If you do not know enough about electrical wiring, have your fan installed by a licensed electrician.

**CAUTION:** The halogen bulb operates at high internal pressure and high surface temperatures and could shatter unexpectedly. The halogen bulb generates UV (ultraviolet) radiation that may cause skin and eye irritation with prolonged exposure. To avoid risks of burns or other injury, assure power is off before attempting to install or replace halogen bulb. Do not operate fan/light without lower glass in place.

6. This fan uses a halogen bulb. Do not touch the bulb with bare hands. Fingerprints may result in shorter bulb life. Remove fingerprints with alcohol.

**NOTE:** This fan is suitable for use with solid-state speed controls.

**WARNING:** To reduce the risk of fire or electric shock, this fan should only be used with fan speed control SW105, manufactured by Rhine Electric Co., Ltd.

**WARNING:** To avoid fire, shock or injury, do not use an Emerson or any other brand of control not specifically approved for this fan.

**WARNING:** This product is designed to use only those parts supplied with this product and/or any accessories designated specifically for use with this product by Emerson Electric Co. Substitution of parts or accessories not designated for use with this product by Emerson Electric Co. could result in personal injury or property damage.

**WARNING:** To reduce the risk of personal injury, do not bend the blade flange when installing the blade flanges, balancing the blades or cleaning the fan. Do not insert foreign objects in between rotating fan blades.

**WARNING:** To reduce the risk of electrical shock, this fan must be installed with an isolating wall control/switch.

**DATE CODE:** \_\_\_\_\_

The date code of this fan may be found on the box, stamped in ink on a white label.

You should record this data above and keep it in a safe place for future use.

# This Manual Is Designed to Make it as Easy as Possible for You to Assemble, Install, Operate and Maintain Your Ceiling Fan

## Tools Needed for Assembly

One stepladder  
 One wire stripper  
 One Phillips head screwdriver  
 Three 15-watt (max.) candelabra base bulbs (not supplied)

Installed Wire Length	Wire Size A.W.G.
Up to 50 ft.	14
50-100 ft.	12

## MATERIALS

Wiring outlet box and box connectors must be of type required by the local code. The minimum wire would be a 3-conductor (2-wire with ground) of the wire size, to right:

### WARNING

If you feel you do not have enough wiring knowledge or experience, have your fan installed by a licensed electrician.

## Unpacking Instructions

For your convenience, check-off boxes are provided next to each step. As each step is completed, place a check mark in the box. This will insure that all steps have been completed and will be helpful in finding your place should you be interrupted.

### WARNING

Do not install or use fan if any part is damaged or missing. Call Toll-Free:

**1-800-654-3545**

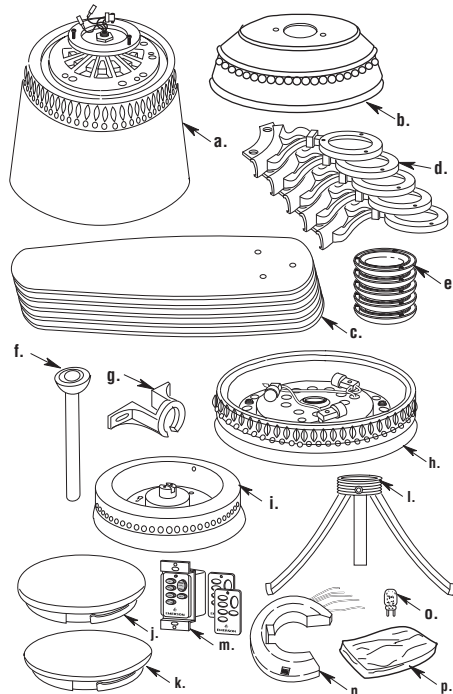
### WARNING

This product is designed to use only those parts supplied with this product and/or any accessories designated specifically for use with this product by Emerson Electric Co. Substitution of parts or accessories not designated for use with this product by Emerson Electric Co. could result in personal injury or property damage.

6. One hairpin clip
7. One clevis pin
8. Sixteen M5 x 12mm pan head screws
9. Eleven #10-32 x 14mm oval head screws
10. Eight #8-32 x 10mm flat head screw
11. Sixteen lockwashers
12. Three twist-on wire connectors
13. One balancing kit

**NOTE:** Place the parts from the loose parts bags in small containers to keep them from being lost. If any parts are missing, contact your local retailer or catalog outlet for replacement before proceeding.

1. Open styrofoam unit containing fan. Remove upper and center sections of styrofoam unit. Remove parts and check to see that you have received the following:
  - a. One Fan Motor and Housing Assembly
  - b. One Ceiling Cover
  - c. Five Fan Blades
  - d. Five Flange Assemblies
  - e. Five Flange Medallion Assemblies
  - f. One Hanger Ball/Downrod Assembly
  - g. One Hanger Bracket
  - h. One Upper Light Kit Assembly
  - i. One Lower Light Kit Assembly
  - j. One Light Kit Glass Shade
  - k. One Non-Light Switch Cover
  - l. One Decorative Scroll Assembly
  - m. One SW116 Fan/Light Wall Control (transmitter) Includes Three Covers
  - n. One SW105 Receiver
  - o. One 50-Watt (max.) Bi-Pin Halogen (type GY8) Bulb
  - p. One loose parts bag containing:
    1. One 5/16-18 x 1/4" setscrew
    2. One 5/32" hex wrench
    3. Two 8-32 x 1-1/4" threaded studs
    4. Two #8-32 knurled knobs
    5. Two #8 external tooth lockwashers



**IMPORTANT:** Your ceiling fan is supplied with an SW116 Fan/Light Wall Control (transmitter) and a remote control SW105 Receiver which mounts under the ceiling cover. This system allows you to regulate your ceiling fan speed, airflow direction, and light intensity. An optional Emerson Electric SR110 Remote Control may also be used.

**IMPORTANT:** Your ceiling fan will not function properly and may be damaged, if used with any wall dimmer switch or control other than the Emerson controls listed above.

## Ceiling Fan Assembly Procedures

1. Place the flange assembly onto the blade. Place the flange medallion assembly into the three holes on the opposite side of the blade.
2. Secure the flange assembly and flange medallion to the blade using the three M5 x 12mm pan head screws and three lockwashers. Repeat for the four remaining blades. (Figure 1)

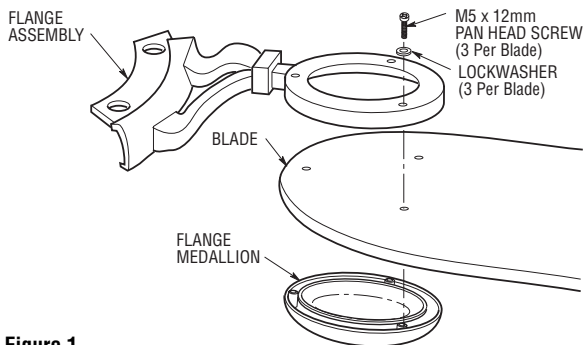


Figure 1

3. Place the motor housing assembly onto the styrofoam for blade assembly installation.
4. Align the holes in the blade flange assembly with the holes in the motor housing.

**NOTE:** Take care not to scratch fan housing when installing blades.

## Electrical Requirements

Your new ceiling fan will require a grounded electrical supply line of 120 volts AC, 60 Hz, 15 amp circuit.

### **⚠ WARNING**

To reduce the risk of fire, electric shock, or personal injury, mount fan to outlet box marked "Acceptable for Fan Support", and use screws supplied with outlet box. Most outlet boxes commonly used for support of light fixtures are not acceptable for fan support and may need to be replaced. Consult a qualified electrician if in doubt.

If your fan is to replace an existing ceiling light fixture, turn electricity off at the main fuse box at this time and remove the existing light fixture.

### **⚠ WARNING**

Turning off wall switch is not sufficient. To avoid possible electrical shock, be sure electricity is turned off at the main fuse box before wiring. All wiring must be in accordance with national and local codes and the ceiling fan must be properly grounded as a precaution against possible electrical shock.

### **⚠ WARNING**

To avoid possible fire or shock, follow all wiring instructions carefully. Any electrical work not described in these instructions should be done or approved by a licensed electrician.

### **⚠ WARNING**

To reduce the risk of personal injury, do not bend the blade flange when installing the blade flanges, balancing the blades or cleaning the fan. Do not insert foreign objects in between rotating fan blades.

5. Loosely attach the flange assembly using two #10-32 x 14mm oval head screws (supplied) (Figure 2). Install the remaining four fan blades assemblies using the same procedure.
6. Gently snug all flange screws to the motor housing, working around the housing in a clockwise sequence. Next, securely tighten all flange screws, again working in a clockwise sequence. Failure to follow this procedure could result in fan wobble. This completes the blade installation.

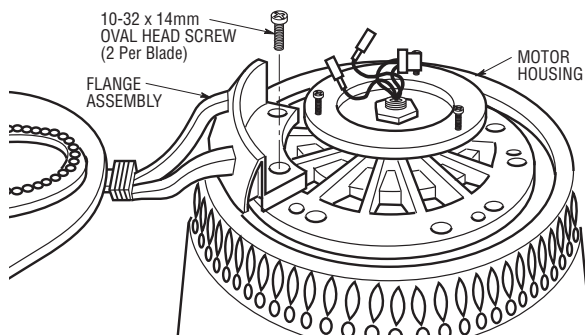


Figure 2

## Preliminary Procedures

**IMPORTANT:** Before assembling your ceiling fan, refer to sections "Setting Operating Frequency of Wall Control and Receiver" and "Installation of Wall Control", Page 11. These sections instruct you how to:

- a. Set the operating frequency of the fan/light wall control and the remote control receiver.
- b. Install the fan/light wall control in the wall box.

You will then be ready to proceed with the assembly and installation of your ceiling fan.

- 7. Connect the 4-pin connector from the decorative light kit assembly to the 4-pin connector of the switch housing (Figure 3).
- 8. Connect the switch housing blue wire single-pin connector to the black wire single-pin connector from the light kit assembly; connect the switch housing white wire single-pin connector to the white wire single-pin connector from the light kit assembly (Figure 3). Be sure all wire connectors are fully engaged.

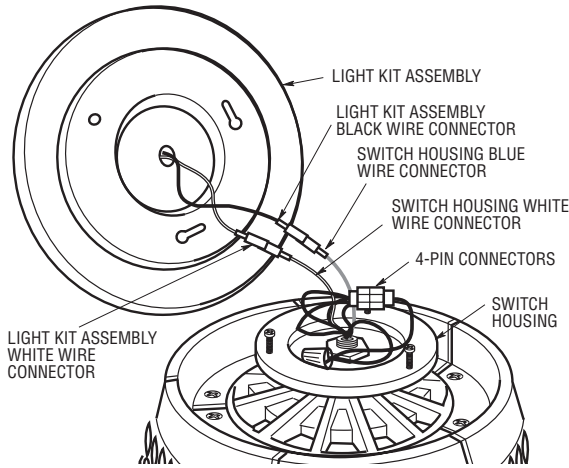


Figure 3

**CAUTION:** Before installing and tightening the screws, be sure there are no wires pinched between the switch housing and the light kit assembly.

- 9. Make sure all wires, single-pin and 4-pin connectors are inside the switch housing, then position the light kit assembly on the switch housing so that the holes line up.
- 10. Attach the light kit assembly to the switch housing using the three #8-32 x 10mm pan head screws (supplied). Do not tighten screws at this time. Position the light kit assembly onto the switch housing, making sure all wires are not pinched (Figure 4).
- 11. Rotate the light kit assembly clockwise to engage the keyhole slots. Secure all three screws at this time (Figure 4).

**NOTE:** Be sure wires and connectors are not pinched under the decorative light kit assembly before securing the light kit assembly.

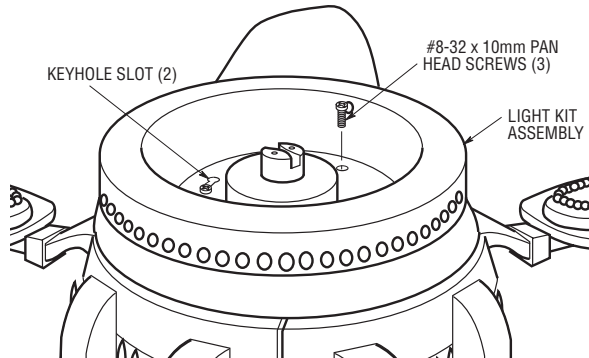


Figure 4

- 12. Carefully turn over the partially assembled ceiling fan and place onto the flat surface of the styrofoam.
- 13. Obtain the hanger ball/downrod assembly and remove the hanger ball by loosening the setscrew in the hanger ball until the ball falls freely down the downrod (Figure 5). Remove the pin from the downrod, then remove the hanger ball. Retain the pin and hanger ball for reinstallation in Step 24.

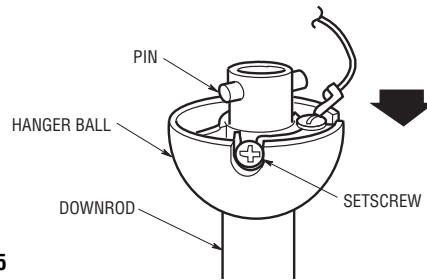


Figure 5

**NOTE:** The 16" downrod furnished with the ceiling fan provides the minimum recommended floor-to-fan blade clearance for a 9-foot ceiling.

- 14. Separate, untwist and unkink the black, white and blue motor wires and the yellow upright lead. Route these wires through the downrod.
- 15. Slide the downrod down the wires and seat the downrod in the motor coupling (Figure 6).
- 16. Align the clevis pin holes in the downrod with the holes in the motor coupling. Install the clevis pin and secure with the hairpin clip (Figure 6). The clevis pin must go through the holes in the motor coupling and the holes in the downrod. Push the straight leg of the hairpin clip through the hole near the end of the clevis pin until the curved portion of the hairpin clip snaps around the clevis pin. The hairpin clip must be properly installed to prevent the clevis pin from working loose.

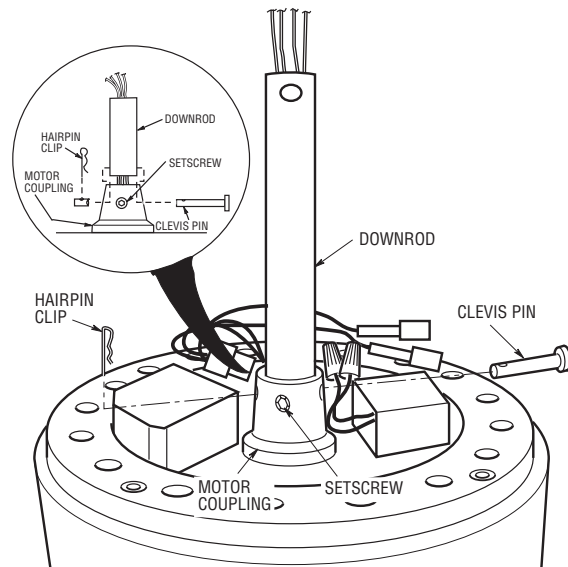


Figure 6

**⚠ WARNING**

It is critical that the clevis pin in the motor coupling is properly installed and the setscrew securely tightened. Failure to verify that the pin and setscrew are properly installed could result in the fan falling.

- 17. Install the setscrew (supplied) in the motor coupling and tighten using the 5/32" setscrew wrench (supplied) (Figure 6).
- 18. Engage the one-pin yellow wire from the motor housing to the one-pin black wire of the decorative uplight kit. Engage the one-pin white wire from the motor housing to the one-pin white wire of the decorative uplight kit (Figure 7).

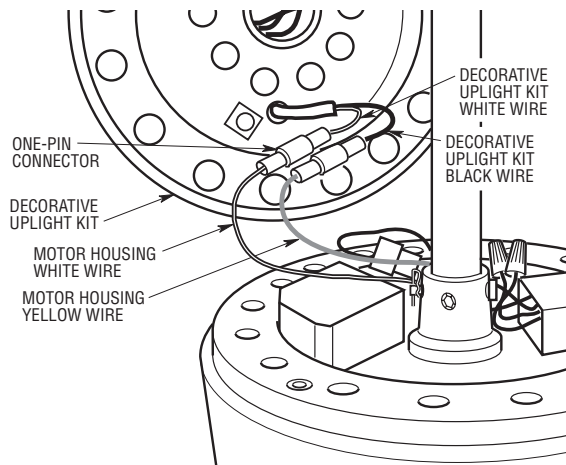


Figure 7

- 19. Carefully tuck all wires and connectors in the decorative uplight kit assembly before placing onto the motor housing. Align the four holes in the decorative uplight kit assembly onto the motor housing.
- 20. Secure the decorative uplight kit assembly to the motor housing using four #8-32 x 10mm pan head screws (supplied) (Figure 8).
- 21. Install three 15-watt (minimum) (not supplied) candelabra light bulbs in the uplight sockets (Figure 8).

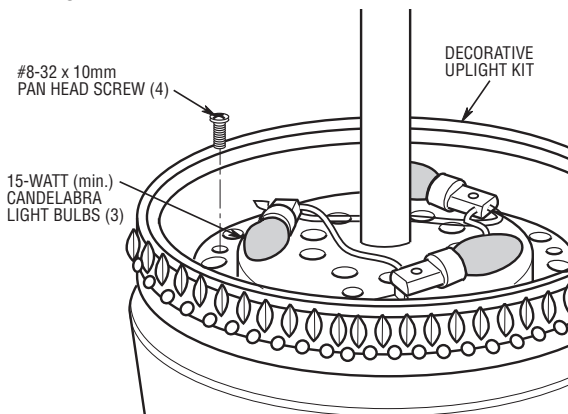


Figure 8

- 22. 16" Or Optional Longer Downrod Installation: Slide the decorative scrolls over the 16" downrod to rest upon the decorative upper housing (Figure 9) To secure the decorative scrolls to the downrod, tighten the Philips head screw in the decorative scroll collar.

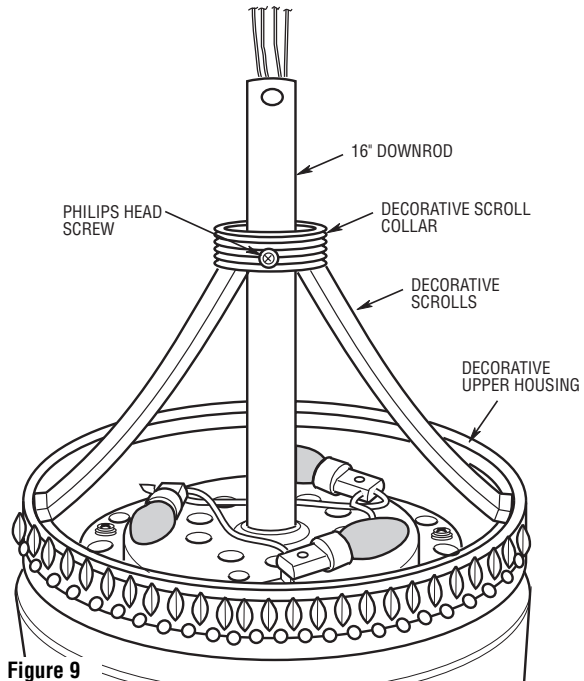


Figure 9

- 23. Position the ceiling cover over the downrod. Be sure the cover is oriented correctly, with the large opening at the top (Figure 10).
- 24. Reinstall the hanger ball on the downrod as follows. Route the motor leads through the hanger ball and slide the hanger ball over the downrod (Figure 10). Install the pin through the holes at the top of the downrod and slide the hanger ball up the downrod, aligning the ball so the pin is captured in the groove in the top of the hanger ball. Pull the hanger ball up tight against the pin and securely tighten the setscrew in the hanger ball. A loose setscrew could create fan wobble.
- 25. The blue, black, white, and yellow leads exiting the downrod are 80-inches long. Before installing the fan, measure up approximately 6 to 9-inches above the ball/downrod assembly. Cut off excess leads and strip back insulation 1/2-inch from end of leads.



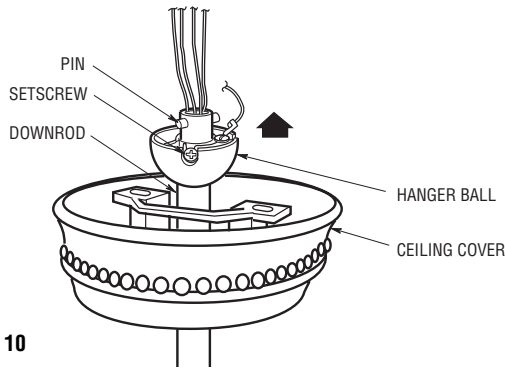


Figure 10

- 26. You have now completed the initial assembly of your new ceiling fan. You can now proceed with hanging and wiring your fan.

## How to Hang Your Ceiling Fan

### ⚠ WARNING

The fan must be hung with at least 7' of clearance from floor to blades (Figure 11). Do NOT hang this fan on an 8' ceiling.

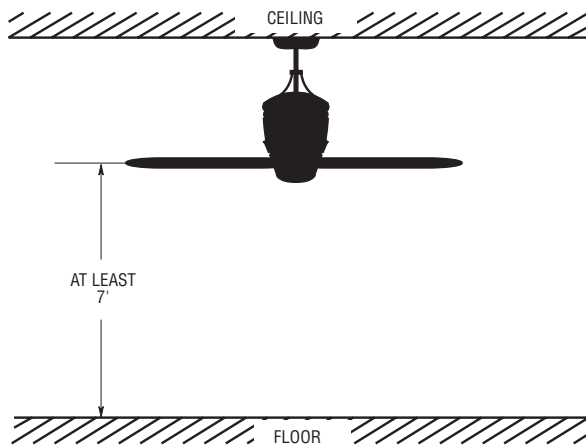


Figure 11

- 1. Securely attach the hanger bracket to the outlet box using the two screws supplied with the outlet box (Figure 12).

### ⚠ WARNING

To reduce the risk of fire, electric shock, or personal injury, mount fan to outlet box marked "Acceptable for Fan Support", and use screws supplied with outlet box. Most outlet boxes commonly used for support of light fixtures are not acceptable for fan support and may need to be replaced. Consult a qualified electrician if in doubt.

### ⚠ WARNING

Hanger bracket must seat firmly against outlet box. If the outlet box is recessed, remove wall board until bracket contacts box. If bracket and/or outlet box are not securely attached, the fan could wobble or fall.

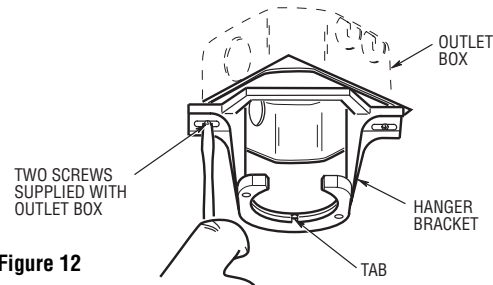


Figure 12

- 2. Carefully lift the fan and seat the hanger ball/downrod assembly on the hanger bracket that was just attached to the outlet box (Figure 13). Be sure the groove in the ball is lined up with tab on the hanger bracket (Figure 12).

### ⚠ WARNING

Failure to seat tab in groove could cause damage to electrical wires and possible shock or fire hazard.

NOTE: CEILING COVER, SUPPLY WIRES AND FAN WIRES OMITTED FOR CLARITY.

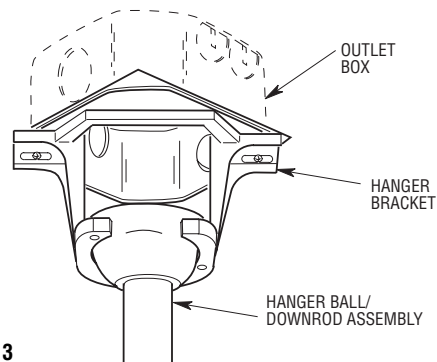



Figure 13

### ⚠ WARNING

To avoid possible fire or shock, do not pinch wires between the hanger ball/downrod assembly and the hanger bracket.

## How to Wire Your Ceiling Fan

If you feel that you do not have enough electrical wiring knowledge or experience, have your fan installed by a licensed electrician.

 <b>WARNING</b>
<p>Turning off wall switch is not sufficient. To avoid possible electrical shock, be sure electricity is turned off at the main fuse or circuit breaker box before wiring. All wiring must be in accordance with National and Local codes and the ceiling fan must be properly grounded as a precaution against possible electrical shock.</p>

**CAUTION:** To reduce the risk of electrical shock, disconnect the electrical supply circuit before installing the fan and light kit or receiver.

1. Pull the wire leads, coming from the end of the downrod, and the supply wires through the open side of the hanger bracket. (Figure 14).
2. Position the SW105 Receiver (supplied) in the ceiling cover so that the flat side of the receiver faces up and the open portion of the receiver is to the right, as shown in Figure 14.
3. Using wire connectors (supplied), make wiring connections as follows (Figure 14 and 15):
  - a. Connect the white fan wire and the white supply wire to the white receiver wire (AC IN/MOTOR N).
  - b. Connect the black fan wire to the black receiver wire (TO MOTOR L).
  - c. Connect the black supply wire to the black/white receiver wire (AC IN L).
  - d. Cut off the ends of the blue and yellow receiver wires and strip back insulation 1/2-inch from the ends of the wires.
  - e. Connect the blue fan wire to the blue receiver wire (BOTTOM LIGHT).
  - f. Connect the yellow fan wire to the yellow receiver wire (UPPER LIGHT).
  - g. Connect the green ground wires from the hanger bracket and the hanger ball to the supply ground wire (bare or green).

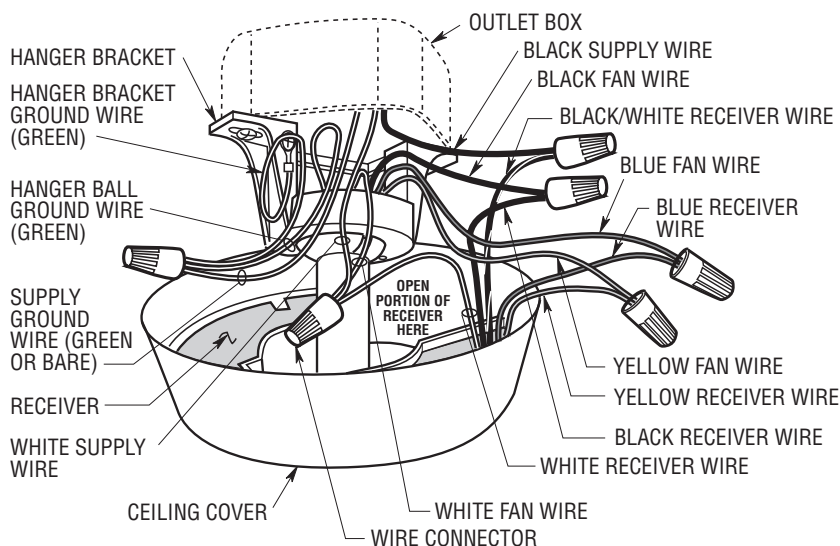


Figure 14



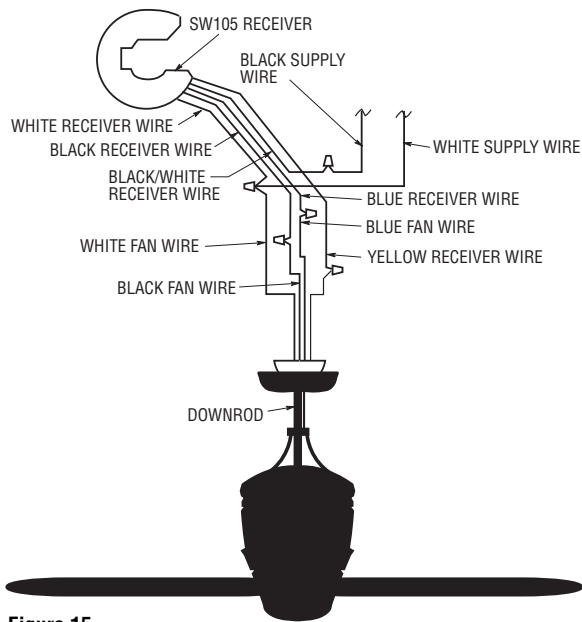


Figure 15

**⚠ WARNING**

**Check to see that all connections are tight, including ground, and that no bare wire is visible at the wire connectors, except for the ground wire. Do not operate fan until blades are in place. Noise and fan damage could result.**

- 4. After connections have been made, separate the white and green wires from the black, blue and yellow wires.
- 5. Carefully turn the wires upward and insert them up through the open side of the hanger bracket and into the outlet box. Push the green equipment/earth ground and white grounded neutral wires into one side of the outlet box; push the black, blue and yellow ungrounded wires into the other side of the outlet box.

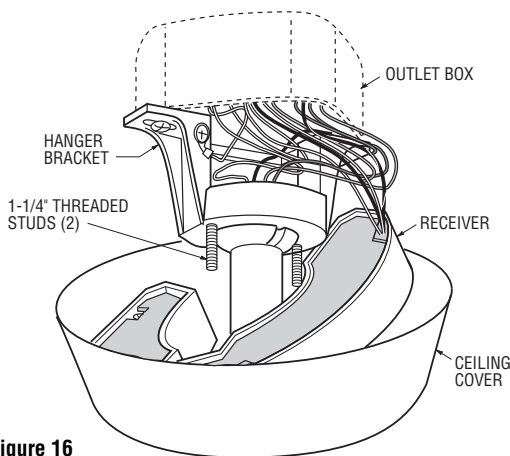


Figure 16

- 6. Screw the two 1-1/4" threaded studs (supplied) into the tapped holes in the hanger bracket (Figure 16).
- 7. Lift the ceiling cover up to the threaded studs and turn until studs protrude through the holes in the ceiling cover (Figure 17).
- 8. Secure the ceiling cover in place by installing two lockwashers and two knurled knobs (supplied) (Figure 26). Tighten the knurled knobs securely until the ceiling cover fits snugly against the ceiling and the hole in the ceiling cover is clear of the downrod.
- 9. Your ceiling fan is now installed and wired and ready for use.

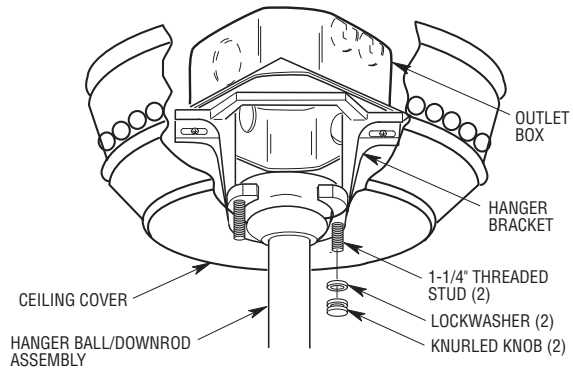


Figure 17

**⚠ WARNING**

**To avoid possible fire or shock, make sure that the electrical wires are completely inside the outlet box and not pinched between the ceiling cover and the ceiling.**

## Light Kit Installation

1. Install the 50-watt (maximum) bi-pin (Type GY8) halogen bulb (supplied) into the light kit socket (Figure 18). Do not touch the glass bulb; use the porcelain base to screw in the bulb, or wear gloves.

**CAUTION:** To avoid risk of burns or other injury, assure power is off before attempting to install or replace the 50-watt (max.) bi-pin halogen bulb.

**CAUTION:** To not touch 50-watt (max.) bi-pin halogen bulb with bare hands. Fingerprints may result in shorter bulb life. Remove fingerprints with alcohol.

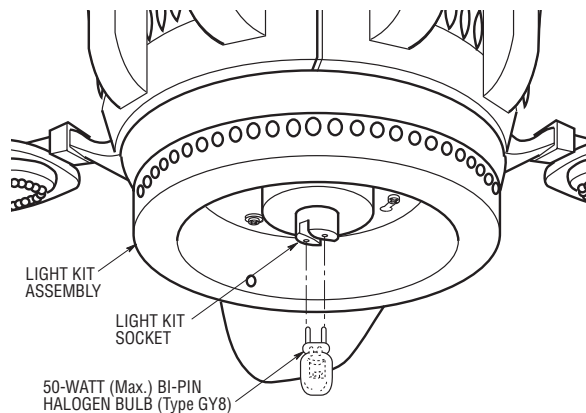


Figure 18

2. Place the glass onto the light kit assembly aligning the three flat areas on the top flange of the glass shade with the three pins on the inside of the assembly (Figure 19). Then turn the glass clockwise until it stops turning.

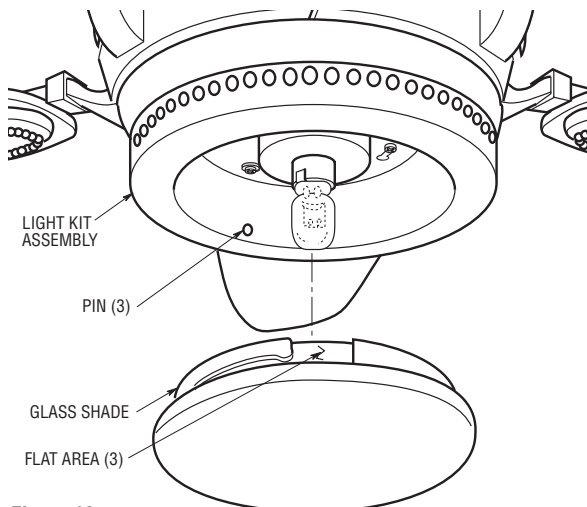


Figure 19

3. Your ceiling fan is now installed and wire to be controlled by your remote control system.

## Switch Cover Installation

If no light kit is desired, continue with non-light switch cover installation.

**NOTE:** Do not install the 50-watt (max.) bi-pin halogen bulb or unhook the 50-watt (max.) bi-pin halogen bulb from light kit socket.

1. Place the non-light switch cover onto the light kit assembly aligning the three flat areas on the top flange of the non-light switch cover with the three pins on the inside of the assembly (Figure 20). Then turn the non-light switch cover clockwise until it stops turning.

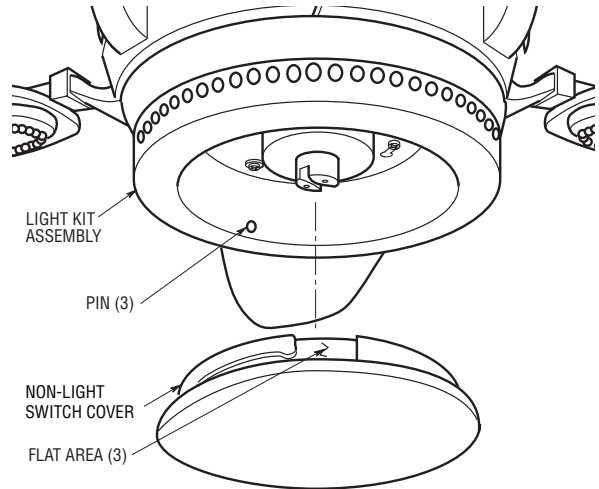


Figure 20

2. Your ceiling fan is now installed and wire to be controlled by your remote control system.

## Setting Operating Frequency of Wall Control and Receiver (Figure 21)

Your wall control and receiver have code switches which must be set in one of 16 possible code combinations. The four levers (numbered 1, 2, 3, and 4) on the switches are factory-set in the ON (up) position. Change the switch settings as follows:

1. Slide the four switch levers in the wall control to your choice of ON (up) or down positions. Use a ball-point pen or small screwdriver and slide the levers firmly up or down.
2. In the receiver, slide the four switch levers to the same positions as set in the wall control. Make sure the levers on both switches are in the same positions, otherwise the fan will not operate.

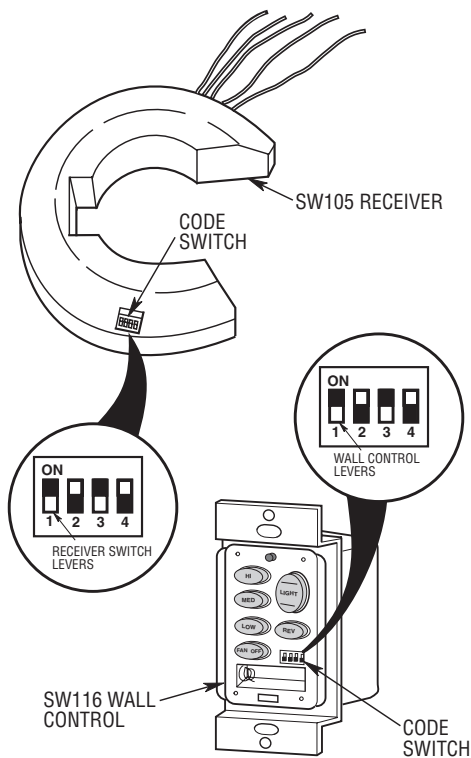


Figure 21

## Installation of Wall Control

### ⚠ WARNING

Turning off wall switch is not sufficient. To avoid possible electrical shock, be sure electricity is turned off at the main fuse or circuit breaker box.

The SW116 wall control transmits the command signals via radio waves to the SW105 receiver installed in the ceiling fan ceiling cover. The SW105 receiver is required for the SW116 wall control to function. Power for the SW116 wall control comes from the 12V battery, located in the wall control.

Replacement 12V batteries recommended are Duracell MN21, Eveready A23, and GP23A.

1. Install the 12V battery (supplied) into the wall control (Figure 22).
2. The SW116 wall control is supplied with a white, ivory, or almond color cover. Choose the style that best suits your needs and snap the cover onto the wall control (Figure 22).

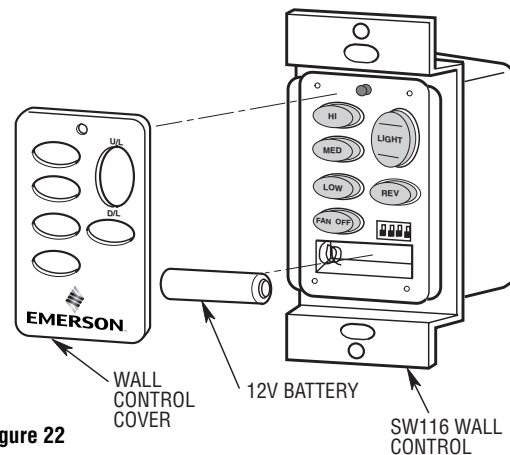


Figure 22

3. Install the wall control onto the outlet box using the supplied screws (Figure 23).
4. Install decorator wall plate (purchased separately) using the two screws provided with wall plate. Leave wall control in "OFF" mode until fan installation is completed (Figure 23).

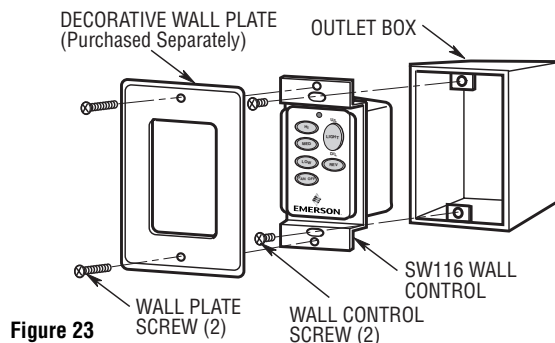


Figure 23

# Operating Your Ceiling Fan

## IMPORTANT

Fan installation must be completed, including the installation of the fan blades, before testing of the remote control.

Your SW116 Fan/Light Wall Control (Figure 24) has full control of your fan, lights, and airflow direction.

1. To set the desired fan speed, push the HI, MED, or LOW buttons to operate your fan on high, medium or low speed (See Figure 24).
2. To reverse the direction the fan is turning, press the REV button. The direction the fan turns will change each time the REV button is pressed.
3. To turn your fan off, press the FAN OFF button.
4. To set the level of light brightness, press and hold the U/L (uplight) button or the D/L (downlight) button (if downlight kit is added to fan). The light brightness will continue to increase then decrease while the button is held down. When the light is at the desired brightness, release the button.

5. To turn the lights on and off, press and release the U/L (uplight) button or the D/L (downlight) button (if downlight kit is added to fan). The lights will turn on at the light level previously set (see Step 4).

**Red light turns on when any button is pressed. If the light does not come on, replace your battery.**

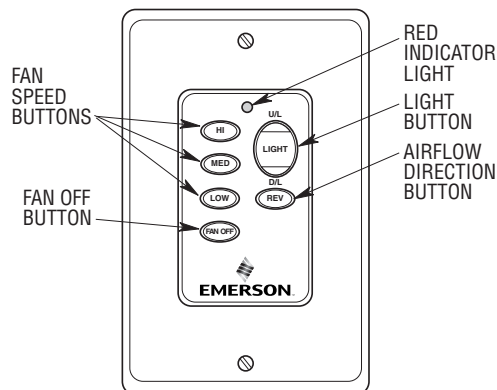


Figure 24

## **INSTRUCTION TO THE USER (if device contains a digital device)**

This equipment has been tested and found to comply with the limits for a class B digital device, pursuant to part 15 of the FCC Rules. These limits are designed to provide reasonable protection against harmful interference in a residential installation. This equipment generates, uses and can radiate radio frequency energy and if no installed and used in accordance with the instructions, may cause harmful interference to radio communications. However, there is not guarantee that interference will not occur in a particular installation. If this equipment does cause harmful interference to radio or television reception, which can be determined by turning the equipment off and on, the user is encouraged to try to correct the interference by one or more of the following measures:

- Reorient or relocate the receiving antenna.
- Increase the separation between the equipment and receiver.
- Connect the equipment into an outlet on a circuit different from that to which the receiver is connected.
- Consult the dealer or an experienced radio/TV technician for help.

This equipment has been certified to comply with the limits for a class B computing device, pursuant to FCC Rules. In order to maintain compliance with FCC regulations, shielded cables must be used with this equipment. Operation with non-approved equipment or unshielded cables is likely to result in interference to radio and TV reception. The user is cautioned that changes and modifications made to the equipment without the approval of manufacturer could void the user's authority to operate this equipment.

This Class B digital apparatus meets all requirements of the Canadian Interference-Causing Equipment Regulations.

## Maintenance

### IMPORTANT CARE INSTRUCTIONS for your Ceiling Fan

Periodic cleaning of your new ceiling fan is the only maintenance that is needed.

When cleaning, use only a soft brush or lint free cloth to avoid scratching the finish.

Abrasive cleaning agents are not required and should be avoided to prevent damage to finish.

#### **WARNING**

Do not use water when cleaning your ceiling fan. It could damage the motor or the blades and create the possibility of an electrical shock.

**NOTE:** Periodically check the tightness of the knurled knobs securing the light kit glass in the light kit adapter. Tighten if necessary.

## Accessories

- 1. Ceiling Fan Controls (see store or catalog).
- 2. Downrod Extension Kits (see store or catalog).

#### **WARNING**

The use of any other control not specifically approved for this fan could result in fire, shock and personal injury.

#### **WARNING**

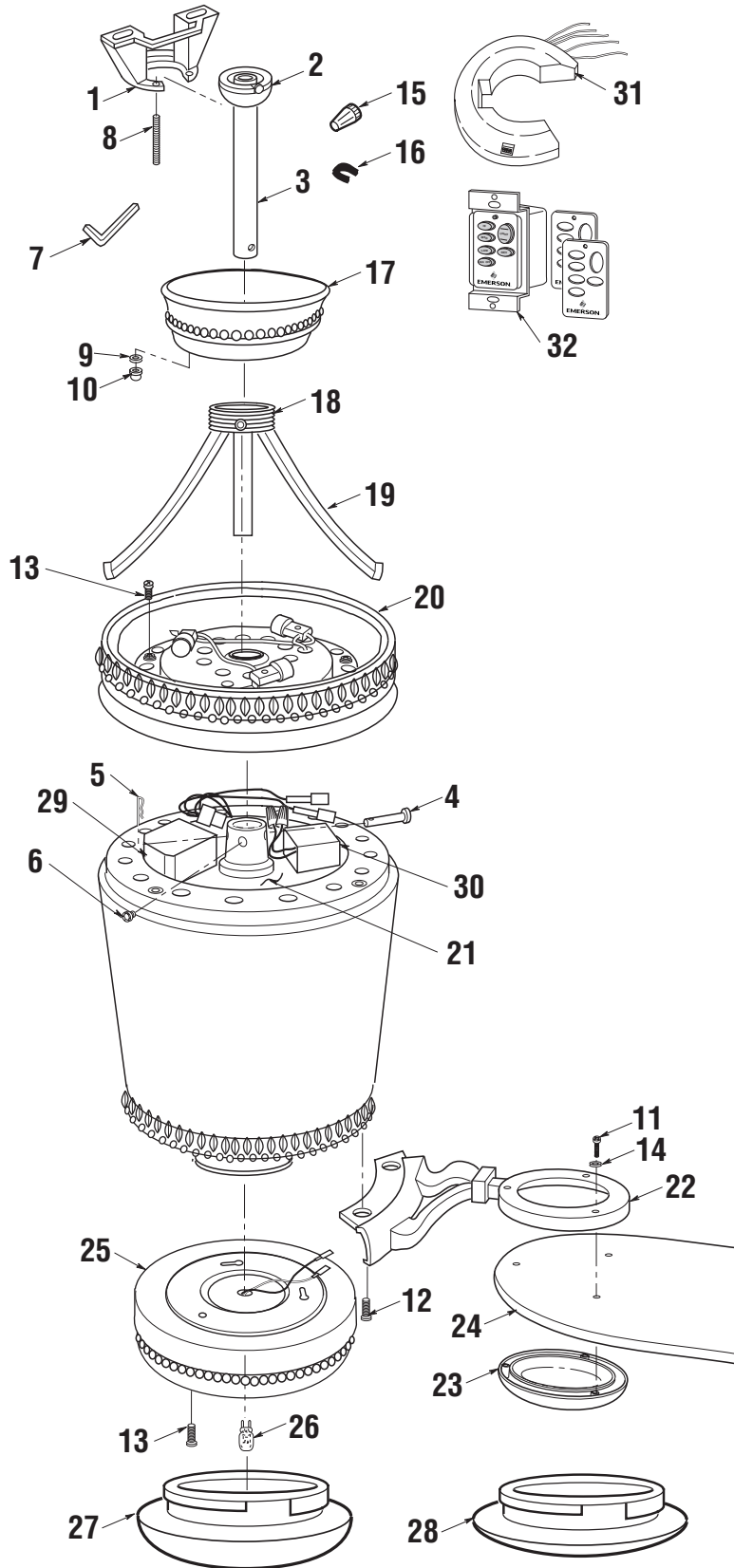
This product is designed to use only those parts supplied with this product and/or any accessories designated specifically for use with this product by Emerson Electric Co. Substitution of parts or accessories not designated for use with this product by Emerson Electric Co. could result in personal injury or property damage.

 **WARNING:** For your own safety, turn off power at fuse box or circuit breaker before trouble shooting your fan.

## Trouble Shooting

TROUBLE	PROBABLE CAUSE	SUGGESTED REMEDY
1. Fan will not start.	<ol style="list-style-type: none"> <li>1. Fuse or circuit breaker blown.</li> <li>2. Loose power line connections to the fan.</li> <li>3. Fan/Light Wall Control is OFF.</li> <li>4. Code switches in remote control/receiver are not set in the same position.</li> </ol>	<ol style="list-style-type: none"> <li>1. Check main and branch circuit fuses or circuit breakers.</li> <li>▲ <b>WARNING: Make sure main power is turned off.</b></li> <li>2. Check line wire connections to fan</li> <li>3. Turn ON Fan/Light Wall Control.</li> <li>4. Check that both code switches are set in the same positions.</li> </ol>
2. Fan sounds noisy.	<ol style="list-style-type: none"> <li>1. Blades not attached to fan.</li> <li>2. Screws holding blades to flanges are loose.</li> </ol>	<ol style="list-style-type: none"> <li>1. Attach blades to fan before operating.</li> <li>2. Tighten screws securely.</li> </ol>
3. Fan wobbles excessively.	<ol style="list-style-type: none"> <li>1. Setscrew in motor coupling is loose.</li> <li>2. Setscrew in hanger ball/downrod assembly is loose.</li> <li>3. Hanger bracket and/or ceiling outlet box is not securely fastened.</li> <li>4. Fan blades out of balance.</li> </ol>	<ol style="list-style-type: none"> <li>1. Raise motor cover and tighten setscrew securely.</li> <li>2. Tighten the setscrew in the hanger ball/downrod assembly.</li> <li>3. Tighten the hanger bracket screws to the outlet box, and/or secure outlet box.</li> <li>4. Interchanging an adjacent (side-by-side) blade pair can redistribute the weight and result in smoother operation. Or use supplied balancing kit to balance blades.</li> </ol>

# Repair Parts





## Repair Parts Listing

Key No.	Description	Model Numbers	
		CF3100AGW00	CF3100BZH00
*	Hanger Pack, Consisting of:	761655-71	761655-70
1	Hanger Bracket	—	—
2	Hanger Ball	—	—
3	Downrod - 16"	—	—
*	Parts Bag Containing:	763518	763518
4	Pin, Clevis (1)	—	—
5	Clip, Hairpin (1)	—	—
6	Setscrew, 5/16-18 x 1/4" (1)	—	—
7	Setscrew Wrench, Hex. 5/32" (1)	—	—
8	Threaded Stud, 1-1/4" (2)	—	—
9	Lockwasher, External Tooth #8 (2)	—	—
10	Knurled Knob, #8-32 (2)	—	—
11	Screw, Pan Head CR M5 x 12mm (16)	—	—
12	Screw, Oval CR #10-32 x 14mm (11)	—	—
13	Screw, Pan Head #8-32 x 10mm (8)	—	—
14	Lockwasher (16)	—	—
15	Wire Connector, Twist-on (3)	—	—
16	Balancing Kit (1)	—	—
17	Cover, Ceiling (1)	763499-AGW	763499-BZH
18	Decorative Scroll Collar (1)	763500-AGW	763500-BZH
19	Decorative Scrolls (3)	763521-AGW	763521-BZH
20	Decorative Upper Housing/Upper Light Kit Assmebly (1)	763502-AGW	763502-BZH
21	K55XL Motor (1)	762508	762508
22	Flange Assembly (5 per set)	763506-AGW	763506-BZH
23	Flange Medallion Assembly (5 per set)	763508-AGW	763508-BZH
24	Blade Assembly (5 per set)	763512-1	763512
25	Lower Light Kit Assembly (1)	763514-AGW	763514-BZH
26	Halogen, 50-Watt Bi-Pin (Type GY8) (1)	—	—
27	Glass Shade (1)	763516	763516
28	Non-Light Switch Cover (1)	763517-AGW	763517-BZH
29	Reverse Module	763492	763492
30	Capacitor, Aux. (1)	763522	763522
31	Receiver, Remote Control SW105 (1)	762401	762401
32	Transmitter, Remote Control SW116 (1)	763310	763310
—	Owner's Manual	BP7361	BP7361

**Before discarding packaging material, be certain all parts have been removed.**

### HOW TO ORDER REPAIR PARTS

WHEN ORDERING REPAIR PARTS, ALWAYS GIVE THE FOLLOWING INFORMATION:

- PART NUMBER
- PART DESCRIPTION
- NAME OF ITEM
- MODEL NUMBER

The model number of your Fan will be found on a label attached to the top housing.

For repair parts, phone 1-800-654-3545.

## LIMITED WARRANTY

### **What The Warranty Covers:**

This warranty covers the motor and the other components and accessories of your Emerson Electric Co. ceiling fan against all defects in workmanship and materials. You must be the original purchaser or user of the product to be covered.

### **What The Period Of Coverage Is:**

As it applies to the motor, this warranty will last for a lifetime from the date you purchased your ceiling fan. All other components and accessories are covered by this warranty for one year from the date you purchased your ceiling fan. ANY IMPLIED WARRANTY OF MERCHANTABILITY OR FITNESS FOR A PARTICULAR PURPOSE, MADE WITH RESPECT TO COMPONENTS AND ACCESSORIES IS ALSO LIMITED TO ONE YEAR.

### **What Will Emerson Electric Co. Do To Correct Problems:**

Emerson Electric Co. will replace a defective Emerson Air Comfort Ceiling Fan motor, blade, component or other accessory at no charge to you. If repair of the motor or blades is not practical or possible within a reasonable time and no replacement can be provided, Emerson Electric Co. will refund the actual purchase price of your fan. **WE WILL SHIP THE REPAIRED PRODUCT OR REPLACEMENT TO YOU AT NO CHARGE, BUT YOU ARE RESPONSIBLE FOR ALL COSTS OF REMOVAL, REINSTALLATION AND SHIPPING OF THE PRODUCT TO EMERSON.**

### **How Can You Get Service:**

YOU MUST HAVE PROOF OF YOUR PURCHASE OF THE CEILING FAN TO OBTAIN LIMITED WARRANTY SERVICE. KEEP YOUR RECEIPT OR OTHER PROOF OF PURCHASE. You can return the product to our factory or to your nearest authorized service center.

- To return the product to the factory, obtain a return authorization and service identification tag by writing to Air Comfort Products, Division of Emerson Electric Co., 8100 W. Florissant Ave., St. Louis, MO 63136. Include all model numbers shown on the product with your request.
- To return the product to an authorized service center, call 1-800-654-3545 for the address of the nearest authorized service center.

You will be responsible for all insurance, freight or other transportation charges to our factory or authorized service center. Your Emerson Air Comfort Ceiling Fan should be properly packed to avoid damage in transit since we will not be responsible for any such damage.

### **What Is Not Covered:**

The glass globes and light bulbs of your ceiling fan are not covered by this warranty. This warranty also does not cover any defects, malfunctions or failures caused by:

- Repairs by persons not authorized by Emerson Electric Co.,
- Use of parts or accessories not authorized by Emerson Electric Co.,
- Mishandling, improper installation, modifications or damage to your ceiling fan while in your possession, or
- Unreasonable use, misuse, abuse, including failing to do reasonable and necessary maintenance, and normal wear and tear.

Additionally, this warranty and any implied warranty of merchantability or fitness for a particular purpose are voided when:

- The original purchaser or user ceases to own the product, or
- The fan is moved from its original point of installation.

This warranty is only valid within the 50 states of the United States and the District of Columbia. No other written or oral warranties apply, and no employee, agent, dealer or other person is authorized to give any warranties on behalf of Emerson Electric Co.

REPAIR, REPLACEMENT OR A REFUND ARE THE EXCLUSIVE REMEDIES AVAILABLE UNDER THIS WARRANTY AND EMERSON ELECTRIC CO. IS NOT RESPONSIBLE FOR DAMAGES OF ANY KIND, INCLUDING INCIDENTAL AND CONSEQUENTIAL DAMAGES. Incidental damages include but are not limited to such damages as loss of time and loss of use. Consequential damages include but are not limited to the cost of repairing or replacing other property which was damaged if this product does not work properly.

### **How State Law Relates To The Warranty:**

Some states do not allow the exclusion or limitation of incidental or consequential damages so the above exclusion or limitation may not apply to you. This warranty gives you specific legal rights, and you may also have other rights which vary from state to state.



**EMERSON**

**Air Comfort Products**

DIVISION OF EMERSON ELECTRIC CO.  
8100 W. Florissant • St. Louis, MO 63136