

LIMITED WARRANTY* ONE (1) YEAR:

Your small kitchen appliance is warranted to the original purchaser to be free from any manufacturing defects under normal use and conditions for one (1) year, cord excluded. During that period, should the appliance fail to operate properly, return the appliance with your sales receipt to the store where purchased. If you use your appliance for household use and according to instructions, it should give you years of satisfactory service. This product warranty covers only the original consumer purchaser of the product.

WARRANTY IS ONLY VALID WITH A DATED PROOF OF PURCHASE.

To guarantee repair or replacement without charge, a dated sales receipt showing purchase within the limited warranty period* must accompany the appliance. Without a sales receipt, warranty will be estimated according to the appliance's manufactured date. A comparable appliance should arrive within 2-3 weeks. However, in case an appliance is not covered by warranty, correspondence offering alternatives will be mailed to you.

During the one-year warranty period, a product with a defect will be either repaired or replaced with a reconditioned comparable model (at our option) when the product is returned to our Service Center. (See the "Returns" section below). The repaired or replacement product will be in warranty for the remaining balance of the one-year warranty period and an additional one-month period.

This limited warranty covers appliances purchased and used within the 48 contiguous states plus the District of Columbia and does **NOT** cover:

- Damages caused by unreasonable use, neglect, normal wear and tear, commercial use, improper assembly or installation of product.
- Damages caused in shipping.
- Damages caused by replacement or resetting of house fuses or circuit breakers.
- Defects other than manufacturing defects.
- Breakage caused by misuse, abuse, accident, alteration, lack of proper care and maintenance, or incorrect current or voltage.
- Lost or missing parts of the product. Parts will need to be purchased separately.
- Damages of parts that are not electrical; for example: cracked or broken plastic or glass.
- Damage from service or repair by unauthorized personnel.
- Extended warranties purchased via a separate company or reseller.
- Consumer's remorse is not an acceptable reason to return a product to our Service Center.

*The consumer is responsible for any delivery charges for all replacement units provided for exchange under the warranty.

RETURNS: Any return of defective merchandise to the manufacturer must be processed accordingly by contacting customer service first to obtain an RA # (Return Authorization Number). We will not accept any returns of merchandise without an applicable RA #.

We cannot assume responsibility for loss or damages to products returned to us during incoming shipment. For your protection, always carefully package the product for shipment and insure it with the carrier. Be sure to enclose the following items with your return: any accessories related to the problem, your full address and daytime phone number, a note describing the problem, a copy of the dated sales receipt or other proof of purchase and a valid RA#.

C.O.D shipments cannot be accepted.

*One Year Limited Warranty valid only in the **48 contiguous states plus the District of Columbia, excluding** Alaska, Hawaii, Puerto Rico and the Virgin Islands.

This warranty is effective only if the product is purchased and operated in the USA; product usage which is in violation of the written instructions provided with the unit will void this warranty.

For international warranty, please contact the local distributor.

**Any instruction or policy included in this manual may be subject to change at any time.

Model ERC-003ST thru 015ST

Elite Gourmet Rice Cooker with Steamer

MAXI-MATIC, USA

18401 E. Arenth Ave. City of Industry, CA 91748

Customer Service Dept: (626) 912-9877 Ext.: 120 10am-5pm MON-FRI PST

www.maxi-matic.com

email: info@maxi-matic.com



Rice Cooker with Steamer Attachment



Model ERC-003ST (3 Cup Capacity)
ERC-008ST (8 Cup Capacity)
ERC-010ST (10 Cup Capacity)
ERC-015ST (15 Cup Capacity)

Instruction Manual

Important Safeguards

Basic safety precautions should always be followed when using electrical appliances, including the following:

1. Important: Read all instructions carefully.
2. Do not touch hot surfaces. Use handles or knobs.
3. To protect against electrical shock, do not immerse cord, plug or the appliance itself in water or other liquid.
4. Close supervision is necessary when the appliance is used by/or near children.
5. Unplug from outlet when not in use and before cleaning. Allow unit to cool before putting on or taking off parts, and before cleaning the appliance.
6. Do not operate any appliance with a damaged cord or plug or after the appliance malfunctions or has been damaged in any manner. Return appliance to the nearest authorized service facility for examination, repair or adjustment.
7. Do not use attachments or accessories other than those supplied or recommended by the manufacturer. Incompatible parts create a hazard.
8. Do not use outdoors.
9. Do not let cord hang over edge of table or counter, or touch hot surfaces.
10. Do not place on or near a hot burner or in a heated oven.
11. Do not use the appliance for other than intended use.
12. Do not clean with metal scouring pads. Pieces can break off the pad and touch electrical parts, creating a risk of electric shock. Metal-scouring pads may also damage the finish.
13. Always unplug from the base of the wall outlet. Never pull on the cord.
14. The rice cooker should be operated on a separate electrical circuit from other operating appliances. If the electric circuit is overloaded with other appliances, this appliance may not operate properly.
15. Store the rice cooker in a cool, dry place.
16. Avoid sudden temperature changes when using the rice cooker.
17. Use only with 120V AC power outlet.
18. Always make sure the outside of the inner cooking pot is dry prior to use. If cooking pot is returned to cooker when wet, it will damage this product causing it to malfunction.
19. Use extreme caution when opening the lid during or after cooking. Hot steam will escape and could cause burns.
20. Extreme caution must be used when moving an appliance containing hot oil or other hot liquids.
21. Always attach plug to appliance first, then plug cord into the wall outlet. To disconnect, turn any control to "off", then remove plug from wall outlet.

SAVE THESE INSTRUCTIONS

Additional Safety Information

- Place the rice cooker on a flat and heat-resistant surface, and use it in a well-ventilated area.
- Do not place the rice cooker close to the edge of the table or countertop as it might be knocked off.
- The heating base and the other parts might become very hot. Be sure to use the handles and wear protective oven mitts or gloves.



Short Cord Instructions

1. A short power-supply cord is provided to reduce risk resulting from becoming entangled in or tripping over a longer cord.
2. Longer extension cords are available and may be used if care is exercised in their use.
3. If a longer extension cord is used:
 - a. The marked electrical rating of the extension cord should be at least as great as the electrical rating of the appliance.
 - b. The longer cord should be arranged so that it will not drape over the counter top or tabletop where it can be pulled by children or tripped over unintentionally.

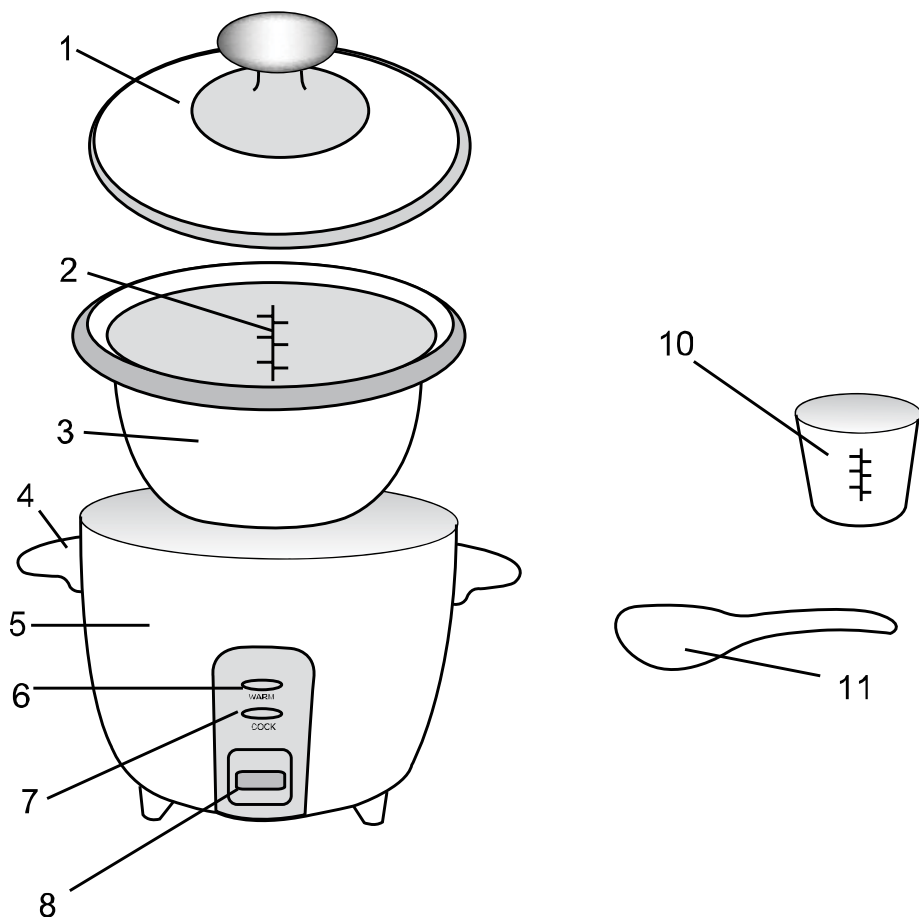
Polarized Plug

This appliance has a **polarized plug** (one blade is wider than the other); follow the instructions below:

To reduce the risk of electric shock, this plug is intended to fit into a polarized outlet only one way. If the plug does not fit fully into the outlet, reverse the plug. If it still does not fit, contact a qualified electrician. Do not attempt to modify the plug in any way.

This appliance is for household use only.

Parts Indicator



- 1) Glass Lid
- 2) Water Level Markings
- 3) Inner Cooking Pot
- 4) Handles
- 5) Rice Cooker
- 6) Warm Indicator Light

- 7) Cook Indicator Light
- 8) Power Switch
- 9) Rice Measuring Cup
- 10) Rice Spatula
- 11) Steamer (not pictured)

Using Your Rice Cook

Before First Use:

1. Read all instructions and important safeguards.
 2. Remove all packaging materials and make sure items are received in good condition.
 3. Tear up all plastic bags as they can pose a risk to children.
 4. Wash accessories in warm soapy water. Rinse and dry thoroughly.
 5. Remove inner pot from rice cooker and clean with warm soapy water. Rinse and dry thoroughly before returning to cooker.
 6. Wipe body clean with a damp cloth.
- **Do not use abrasive cleaners or scouring pads.**
 - **Do not immerse the rice cooker base, cord or plug in water at any time.**

To Cook Rice:

1. Using the measuring cup provided, measure and add rice to the pot. One full level cup equals one cup.
2. Rinse rice in the inner pot until water becomes relatively clear.
3. Using the water measurement lines inside or the measuring cup, add appropriate amount of water. A rice/water measurement chart has been included
4. For softer rice, allow rice to soak for 10-20 minutes.
5. Replace lid and plug power cord into outlet.
6. Press switch down, to cook mode. The cook light will illuminate. Please unplug rice cooker when cooking is done.
7. After cooking, allow rice to stand for 5-10 minutes without removing lid. This will ensure that rice is cooked thoroughly.

STEAMING:

You can also use your rice cooker to steam a variety of foods such as vegetables, fish, and even potatoes.

- 1) Fill the steamer attachment with desired food for steaming.
- 2) Fill the rice cooker half way with room temperature water.
- 3) Set the steamer onto the rice cooker.
- 4) Cover with glass lid.
- 5) Press the switch to "Cook", indicator switch will say cooking has started.
- 6) Be careful when removing the lid for hot steam will rush out. .

CAUTION:

- Do not open lid when in use.
- If cooking pot is returned to cooker when wet, it will damage this product causing it to malfunction.

Rice Cooking Guide

Rice/Water Measurement Chart:

UNCOOKED RICE	WATER WITH MEASURING CUP	WATERLINE INSIDE POT	APPROX COOKED RICE YIELD
1 Cup	1 – ½ Cups	Line 1	2 Cups
2 Cups	2 – ½ Cups	Line 2	4 Cups
3 Cups	3 – ½ Cups	Line 3	6 Cups
4 Cups	4 – ½ Cups	Line 4	8 Cups
5 Cups	5 – ½ Cups	Line 5	10 Cups
6 Cups	6 – ½ Cups	Line 6	12 Cups
7 Cups	7 – ½ Cups	Line 7	14 Cups
8 Cups	8 – ½ Cups	Line 8	16 Cups
9 Cups	9 – ½ Cups	Line 9	18 Cups
10 Cups	10 – ½ Cups	Line 10	20 Cups

NOTE

- When cooking brown or wild rice, add an additional 3/4 cup water.
- The measuring cup included is not an exact cup. Chart refers to cups of rice/water based on the measuring cup provided. Do not exceed 3 measuring cups of uncooked rice based on cup provided.

HELPFUL HINTS:

1. Rinse rice to remove excess bran and starch. This will help reduce browning and sticking to the bottom of the pot, but it may also reduce nutrients in rice.
2. If you have experienced any sticking due to the type of rice you are using, try adding a light coating of vegetable oil or non-stick spray to the bottom of the inner pot before adding rice.
3. This is only a general measuring guide. As there are many different kinds of rice available, rice/water measurement may vary slightly.

Care & Cleaning

Always unplug unit and allow to cool completely before cleaning

1. Remove the inner cooking pot. Wash it in warm, soapy water using a sponge or dishcloth.
 2. Rinse and dry thoroughly.
 3. Repeat process with steam tray, and other provided accessories.
 4. Wipe the body of the rice cooker clean with a damp cloth.
- **Do not use harsh abrasive cleaners or products that are not considered safe to use on non-stick coatings.**
 - **This appliance is NOT dishwasher safe. Inner pot is NOT dishwasher safe.**
 - **Always make sure the outside of the inner pot is dry prior to use. If inner cooking pot is returned when wet, it may damage this product, causing it to malfunction.**
- Service should always be performed by an authorized service representative.**