



Libero Line Series Hot & Cold Plate

ITEM # _____
 MODEL # _____
 PROJECT NAME # _____
 SIS # _____
 AIA # _____



Libero Line Series Hot & Cold Plate

601619 (EDHLU) Hot & Cold Plate - 208 V/1p/60Hz

Short Form Specification

Item No. _____

Unit shall be Electrolux freestanding tabletop design Hot and Cold Plate. Maintains hot food at temperatures between 140 °F and 176 °F or cold food at temperatures between 28 °F and 46 °F. One-piece seamless 304 stainless steel construction with sealed stainless steel surface to hold food at desired temperature. Unit shall operate on 208 volt power with cord and plug included.

Main features

- Tabletop design, front-to-back model.
- Heavy duty, one-piece seamless, 304 AISI stainless steel construction.
- Completely sealed, stainless steel cooking surface for maximum protection of internal electrical components.
- One surface for hot or cold holding.
- Maintains hot food at 150 °F and cold food below 46 °F.
- Smooth rounded edges guarantee a flush fit between units.
- Touch button control panel.
- IPX4 water protection.
- Cord and plug included.
- Installed electric power: 200 watts.
- External dimensions:
 - Height: 5.1"
 - Depth: 23.6"
 - Width: 12.8"
- ETL electrical and sanitation listed.
- NEMA # : 6-20P (not included).
- Shipping weight – 31 lbs.
- Net weight – 29 lbs.
- 2 year parts warranty, 1 year labor.



NEMA #: 6-20P

Approval: _____

Electrolux Professional, Inc.
www.electroluxusa.com/professional

3225 SW 42nd Street, Fort Lauderdale, Florida, 33312 • Telephone Number: 866-449-4200 • Fax Number: 954-327-6789

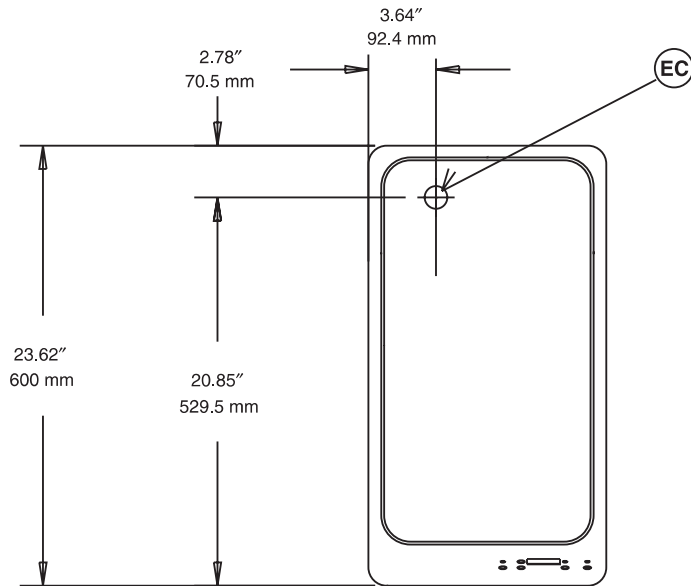
Libero Line Series
Hot & Cold Plate

Electric

Supply voltage:

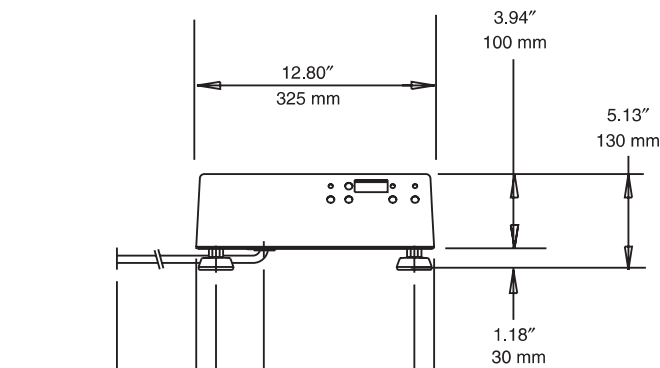
601619 (EDHLU) 208 V/1p/60Hz - 2A

Front View

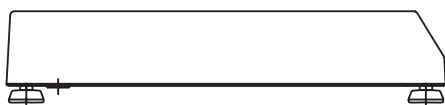
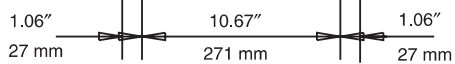


EC = Electrical connection

Top View



Side View



Libero Line Series
Hot & Cold Plate

The company reserves the right to make modifications to the products without prair notice. All information correct at time of printing.

4-27-09