



Power Pruner™

Operator's Manual

MODEL:
FOR MODELS

99946400020 5' EXTENSION

PP-1200/1250/1260

PPT-2100/2400

PPT-230/231

PPT-260/261

PPT-280

PPT-265

FOR MODELS

99946400030 5' EXTENSION

PP-1400

PPFD-2400

PPFD-260

ENGLISH

ESPAÑOL

FRANCAIS



WARNING



DANGER

Read rules for safe operation and instructions carefully. ECHO provides an Operator's Manual and a Safety Manual with your original Power Pruner™. Those manuals and this manual must be read and understood for proper and safe operation.

5 FOOT EXTENSION INSTALLATION

Tools Required: Screwdriver, 3 mm Hex Wrench, Measuring Tape

Parts Required: 1524mm (5 Foot) Extension

WARNING DANGER

The Saw Chain is sharp! Always wear gloves when handling the cutting attachment, otherwise serious personal injury may result.

1. Loosen the four (4) screws (A), and locator screw (B) on cutting attachment, and remove the cutting attachment.

(PPT Only)

2. Loosen clamp knob (C) turning counter clockwise.
3. Pull aluminum housing (D) out of fiberglass housing 610mm (24 in.), then slide (D) back into fiberglass housing approximately 305mm (12 in.) exposing inner drive shaft (E).

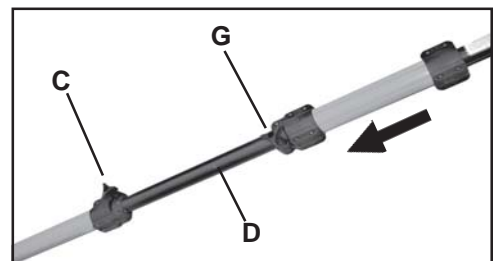
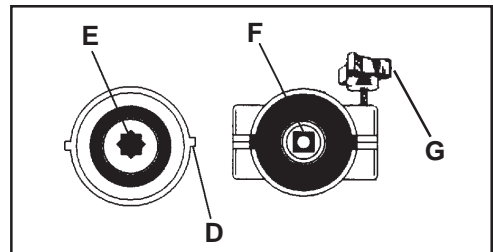
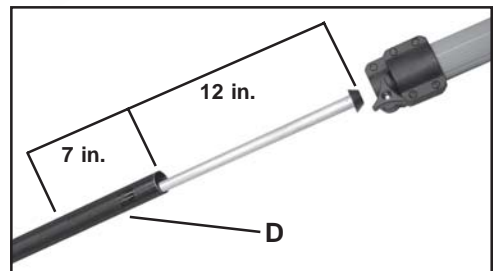
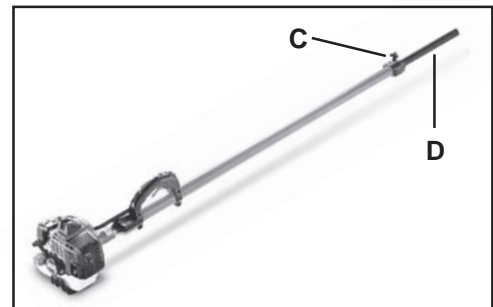
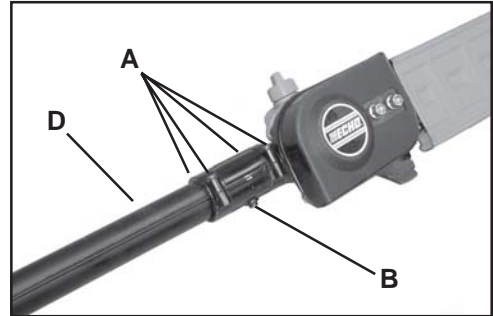
(All Models)

4. Measure 178mm (7 in.) from end of aluminum housing (D), and mark the housing.
5. Loosen the extension clamp knob (G) turning counter clockwise.
6. Align inner drive shaft adapter (E) with extension shaft (F).

NOTE

Assure locator hole in extension shaft is oriented on same side as locator hole in aluminum housing (D).

7. Align ridges on aluminum housing (D) with seams in extension housing. Slide the extension onto housing (D) to the 178mm (7 in.) mark. Tighten extension clamp knob (G) securely.



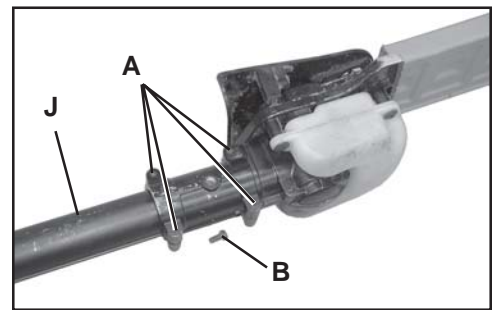
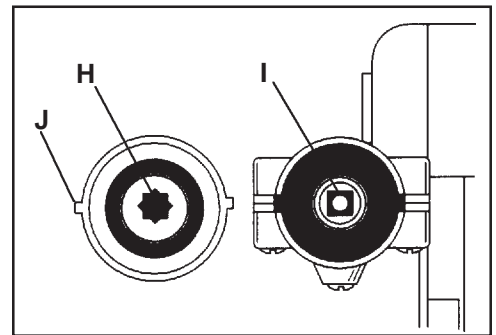
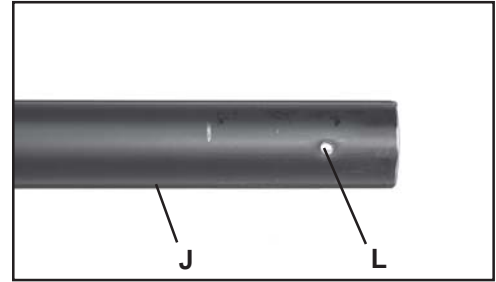
- Align extension drive shaft adapter (H) with cutting attachment shaft (I).

NOTE

Locator screw in cutting attachment must align with locator hole in extension housing.

- Align ridges on aluminum extension housing (J) with seams in cutting attachment and slide cutting attachment onto extension housing. Remove locator screw (B) to align locating hole in cutting attachment with locating hole (L) in aluminum extension housing.

- Install and tighten locator screw (B). Tighten four (4) cutting attachment screws (A).



WARNING  **DANGER**

- The Power Pruner™ is designed to accept only one extension. Use of more than one extension or longer shafts can result in balance and control problems leading to possible personal injury to operator and bystanders and/or unit damage.
- Use this extension with ECHO Power Pruner™ models ONLY.

ECHO CONSUMER PRODUCT SUPPORT

If you require assistance or have questions concerning the application, operation or maintenance of this product you may call the ECHO Consumer Product Support Department at 1-800-673-1558 from 8:30 am to 4:30 pm (Central Standard Time) Monday through Friday. Before calling, please know the model and serial number of your unit to help your Consumer Product Support Representative.



ECHO, Incorporated 400 Oakwood Road Lake Zurich, IL 60047
www.echo-usa.com