



AVAILABLE ATTACHMENTS & ACCESSORIES

Attachments

99944100010 Rain Gutter Kit

99944100030 PB_ES Shoulder Strap

PARTS CATALOG

PB-2100 Power Blower

21.2cc

SERIAL NUMBERS

Type 1E S/N 001001 & Up

ECHO, INCORPORATED

400 Oakwood Road Lake Zurich, Illinois 60047 USA

WWW.ECHO-USA.COM



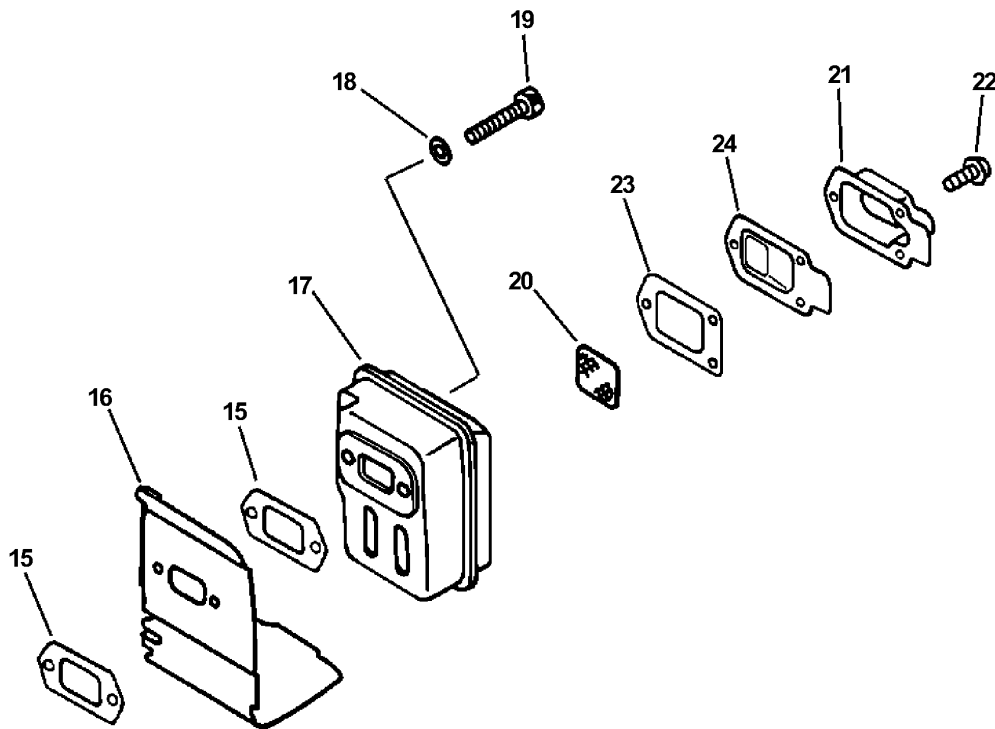
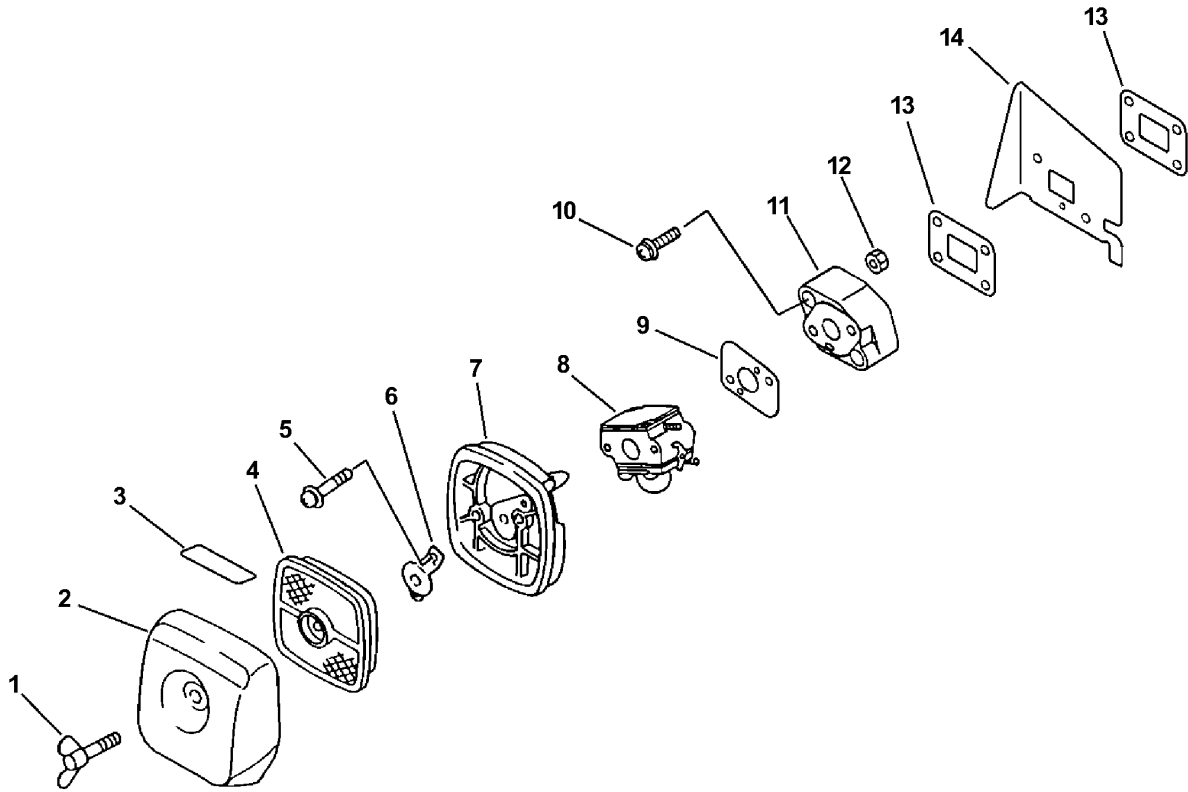
Table of Contents

Click Any Diagram Description Below To View That Diagram.

PB-2100 Type 1E S/N 001001 & Up

| | |
|--|----|
| Intake, Exhaust..... | 4 |
| Carburetor..... | 6 |
| Ignition, Starter, Fuel System..... | 8 |
| Engine, Short Block -- SB1026..... | 10 |
| Fan Case, Blower Pipe..... | 12 |
| Gasket Kit..... | 14 |
| RePower Filter Kit..... | 16 |
| RePower Tune-Up Kit..... | 18 |
| RePower Tune-Up Kit - Canada Models..... | 20 |
| Tools..... | 22 |
| | |
| Part Number Index..... | 24 |
| Part Description Index..... | 25 |

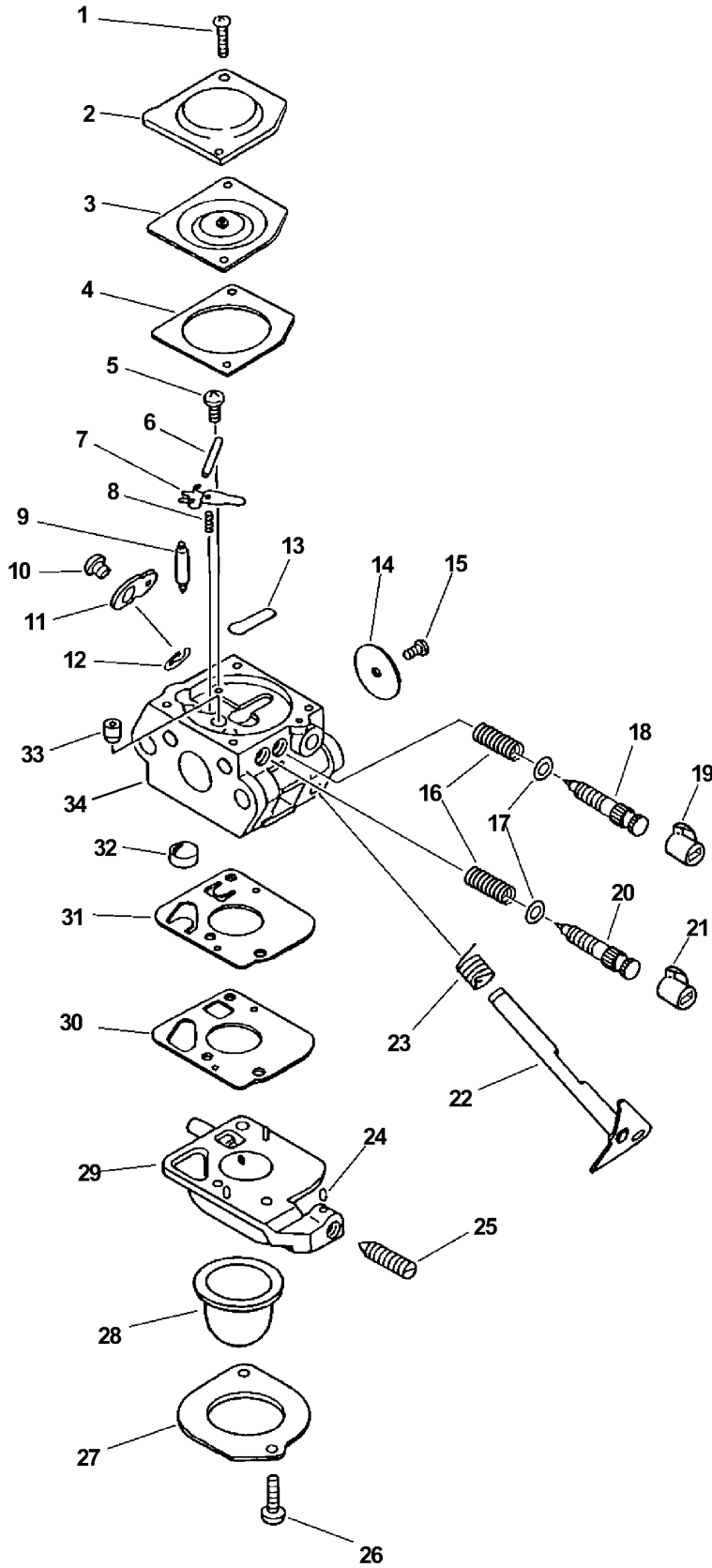
This Page Intentionally Left Blank



| ITEM | PART NUMBER | QTY | DESCRIPTION | REMARKS |
|------|-------------|-----|------------------------------|---|
| 1 | 21041752730 | 1 | BOLT, WING | |
| 2 | 13031306562 | 1 | COVER, AIR CLEANER | |
| 3 | 89012106360 | 1 | LABEL, CHOKE | |
| 3 | 89012105360 | 1 | LABEL, CHOKE | CANADA MODELS |
| 4 | 13031054130 | 1 | FILTER, AIR | |
| 5 | 90024205065 | 2 | SCREW, 5X65 | |
| 6 | 12901152730 | 1 | PLATE, PREVENT | |
| 7 | 13030706561 | 1 | CASE, AIR CLEANER | |
| 8 | ----- | 1 | CARBURETOR | See Carburetor Diagram For Additional Information |
| 9 | 13001020560 | 1 | GASKET, INTAKE ¹ | |
| 10 | 90023805022 | 2 | SCREW, 5X22 | |
| 11 | 13001705062 | 1 | INSULATOR, INTAKE | |
| 12 | 90050000005 | 2 | NUT 5 | |
| 13 | 13001009561 | 2 | GASKET, INTAKE ¹ | |
| 14 | 10151420560 | 1 | COVER, CYLINDER | |
| 15 | 14551042031 | 2 | GASKET, MUFFLER ¹ | |
| 16 | 14587105760 | 1 | COVER, MUFFLER | |
| 17 | 14580642030 | 1 | MUFFLER | |
| 18 | 90060300005 | 2 | WASHER 5 | |
| 19 | 90010505055 | 2 | SCREW 5X55 | |
| 20 | 14586240630 | 1 | SCREEN, MUFFLER | |
| 21 | 14587642030 | 1 | GUIDE, EXHAUST | |
| 22 | 90024204010 | 3 | SCREW, 4X10 | |
| 23 | 14586642031 | 1 | GASKET, MUFFLER ¹ | SERIAL NUMBERS: 001001-626617 |
| 24 | 14587420560 | 1 | GUIDE, EXHAUST | SERIAL NUMBERS: 001001-626617 |
| 23 | V104000001 | 1 | GASKET, EXHAUST ¹ | SERIAL NUMBERS: 626618 & UP |
| 24 | A313000020 | 1 | GUIDE, EXHAUST - OUTER | SERIAL NUMBERS: 626618 & UP |

Footnotes

1: Also Included In GASKET KIT

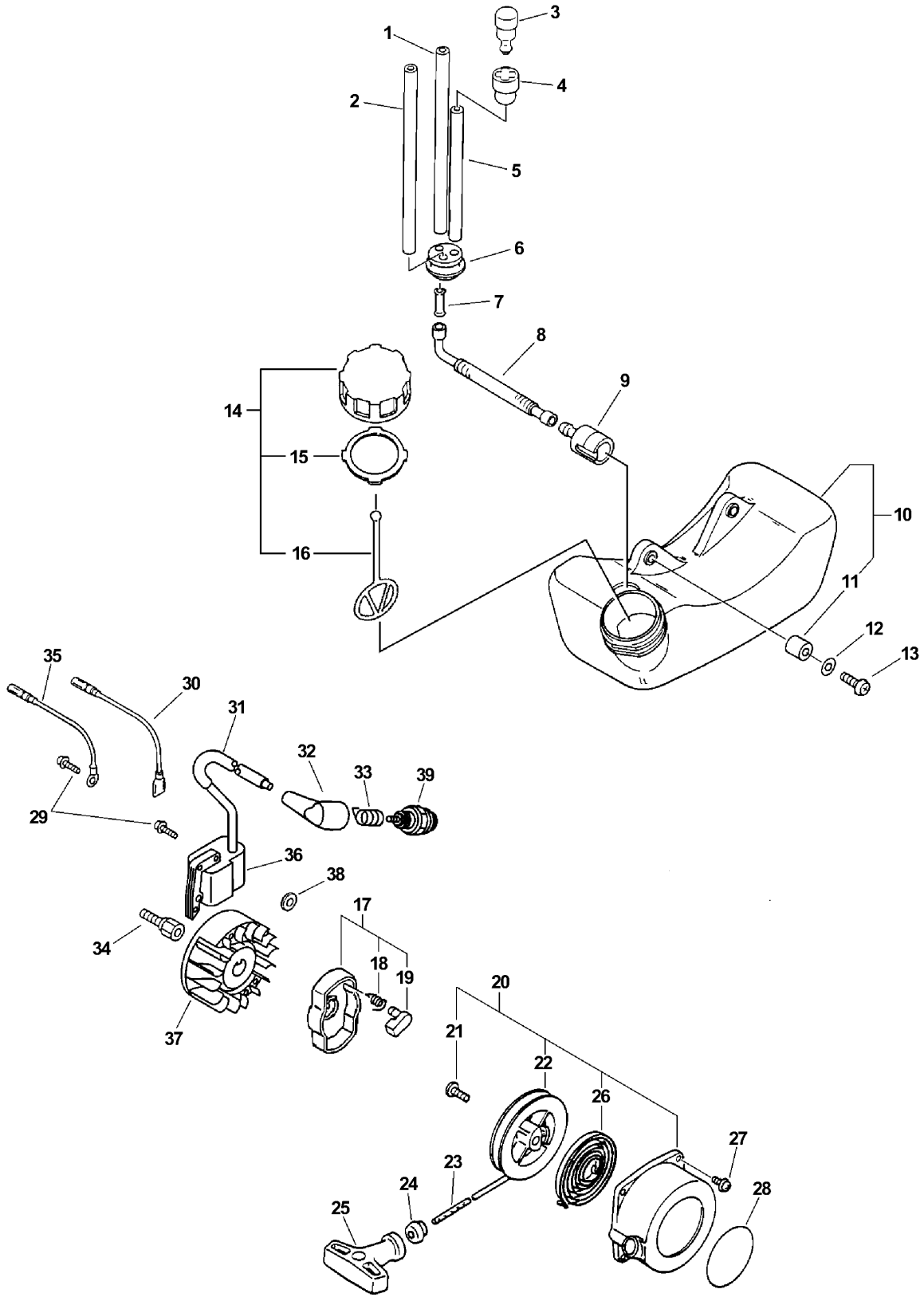


| ITEM | PART NUMBER | QTY | DESCRIPTION | REMARKS |
|-----------|-------------|-----|---|--------------------------|
| | 12520020560 | 1 | CARBURETOR -- C1U-K42 | INCLUDES THE FOLLOWING: |
| 1 | 12534452130 | 2 | SCREW | |
| 2 | 12534207360 | 1 | COVER, DIAPHRAGM | |
| 3 | ----- | 1 | DIAPHRAGM, METERING ¹ | |
| 4 | ----- | 1 | GASKET, METERING DIAPHRAGM ¹ | |
| 5 | 12533942030 | 1 | SCREW | |
| 6 | ----- | 1 | PIN, METERING LEVER ² | |
| 7 | ----- | 1 | LEVER, METERING ² | |
| 8 | ----- | 1 | SPRING, METERING LEVER ² | |
| 9 | ----- | 1 | VALVE, INLET NEEDLE ² | |
| 10 | 12532713930 | 1 | CLIP | |
| 11 | 12534813930 | 1 | SCREW | |
| 12 | 12535020560 | 1 | LEVER, THROTTLE | |
| 13 | ----- | 1 | PLUG, WELCH ² | |
| 14 | 12531620560 | 1 | VALVE, THROTTLE | |
| 15 | 12531451230 | 1 | SCREW | |
| 16 | 12531942030 | 2 | SPRING, NEEDLES | |
| 17 | 12535307760 | 2 | WASHER | |
| 18 | 12531820560 | 1 | SCREW, IDLE NEEDLE | |
| 19 | 12532909860 | 1 | LIMITER, MIXTURE | |
| 20 | 12532020560 | 1 | NEEDLE, HIGH SPEED | |
| 21 | 12532908560 | 1 | LIMITER, MIXTURE | |
| 22 | 12531706860 | 1 | SHAFT, THROTTLE | |
| 23 | 12531308560 | 1 | SPRING, THROTTLE RETURN | |
| 24 | 12537813930 | 1 | PIECE, FRICTION | |
| 25 | 12533406860 | 1 | SCREW, IDLE ADJUST | |
| 26 | 12531011610 | 2 | SCREW | |
| 27 | 12536311610 | 1 | RETAINER, PURGE PUMP | |
| 28 | 12538146730 | 1 | PURGE, PUMP | |
| 29 | 12532411610 | 1 | COVER, PUMP | |
| 30 | ----- | 1 | GASKET, PUMP ¹ | |
| 31 | ----- | 1 | DIAPHRAGM, PUMP ¹ | |
| 32 | ----- | 1 | SCREEN ² | |
| 33 | 12537607360 | 1 | NOZZLE, CHECK VALVE | |
| 34 | ----- | 1 | BODY, CARBURETOR | NOT AVAILABLE SEPARATELY |
| | 12530020560 | 1 | REPAIR KIT | |
| | 12530320560 | 1 | GASKET/DIAPHRAGM KIT | |

Footnotes

1: Included In REPAIR KIT & GASKET/DIAPHRAGM KIT

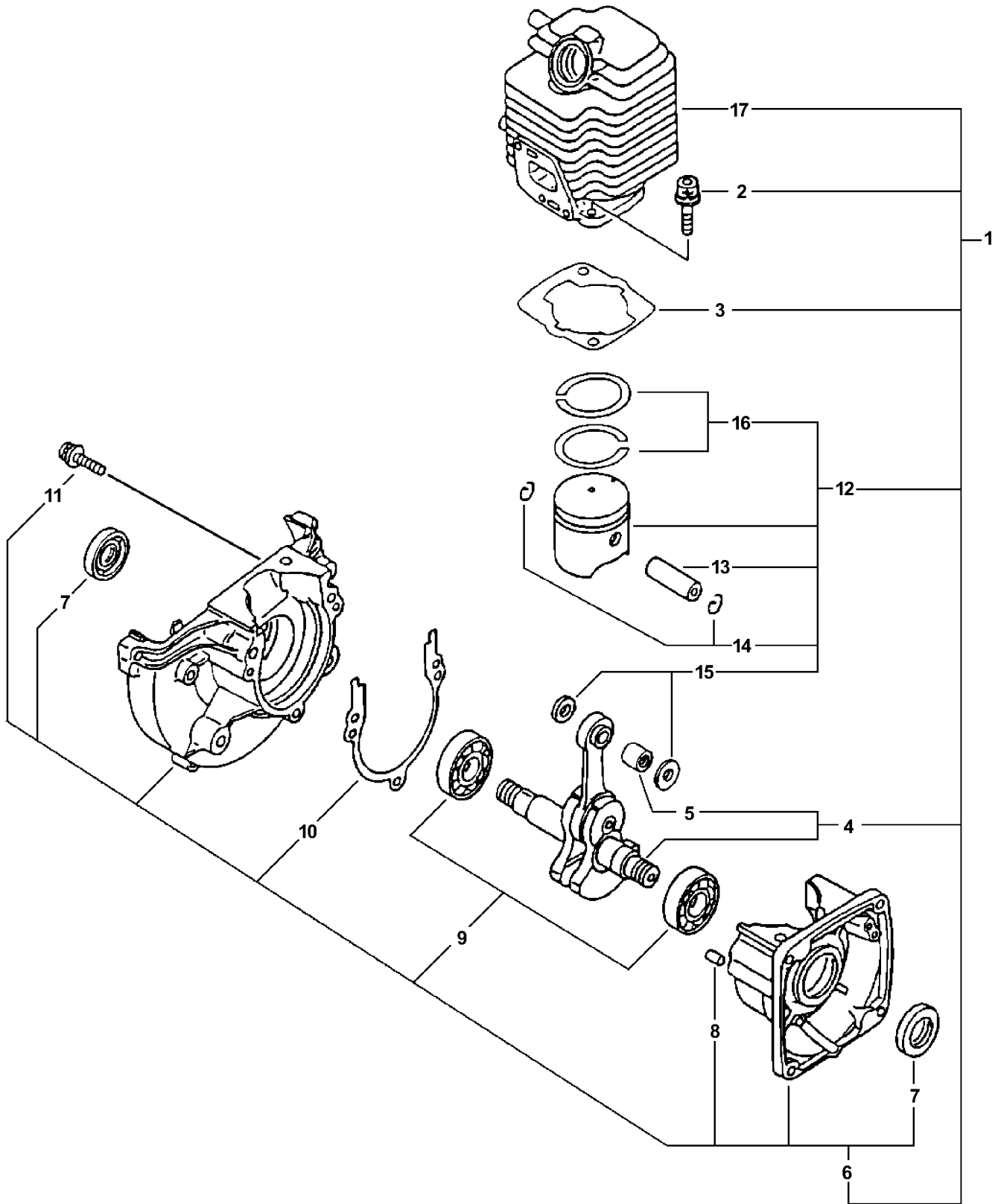
2: Included In REPAIR KIT



| ITEM | PART NUMBER | QTY | DESCRIPTION | REMARKS |
|------|-------------|-----|---------------------------------------|-------------------------------|
| 1 | 43721011131 | 1 | PIPE, FUEL - 3X5X90 | |
| 2 | 13201056330 | 1 | PIPE, RETURN - 3X6X90 | |
| 3 | 13130056430 | 1 | VALVE, CHECK | |
| 4 | 13132840630 | 1 | COVER, VENT | |
| 5 | 13131239130 | 1 | PIPE, VENT - 3X5X70 | |
| 6 | 13211546730 | 1 | GROMMET, FUEL | |
| 7 | 13201103360 | 1 | CONNECTOR, FUEL PIPE | |
| 8 | 13201212360 | 1 | PIPE, FUEL | |
| 9 | 13120507320 | 1 | STRAINER, FUEL | |
| 10 | 13100520560 | 1 | TANK, FUEL | INCLUDES ITEM 11 |
| 11 | 13104528230 | 2 | SPACER | |
| 12 | 90060300005 | 2 | WASHER 5 | |
| 13 | 90023805016 | 2 | SCREW, 5X16 | |
| 14 | 13100455530 | 1 | FUEL TANK CAP ASY | INCLUDES ITEMS 15-16 |
| 15 | 13105156030 | 1 | CONNECTOR, FUEL CAP | |
| 16 | 13105156030 | 1 | CONNECTOR, FUEL CAP | |
| 17 | 17720244330 | 1 | STARTER PAWL ASY | INCLUDES ITEMS 18-19 |
| 18 | 17723442030 | 1 | SPRING, RETURN | |
| 19 | 17721844330 | 1 | PAWL, STARTER | |
| 20 | 17720042033 | 1 | STARTER ASY | INCLUDES ITEMS 21-26 |
| 21 | 17723644330 | 1 | SCREW | |
| 22 | 17721544430 | 1 | DRUM, STARTER | |
| 23 | 17722610120 | 1 | ROPE, STARTER - 3X1000mm ¹ | |
| 24 | 17722742030 | 1 | GUIDE, ROPE | |
| 25 | 17722806530 | 1 | GRIP, STARTER | |
| 26 | 17722042030 | 1 | SPRING, REWIND | |
| 27 | 90016204016 | 4 | BOLT, 4X16 | |
| 28 | 89011849130 | 1 | LABEL, ECHO | |
| 29 | 90016204022 | 2 | BOLT, 4X22 | |
| 30 | 16202120560 | 1 | LEAD, IGNITION | |
| 31 | 15661105060 | 1 | TUBE | |
| 32 | 15901201620 | 1 | CAP, SPARK PLUG | |
| 33 | 15901103432 | 1 | COIL, SPARK PLUG CAP | |
| 34 | 20001105661 | 1 | HUB, FAN | |
| 35 | 16201020560 | 1 | LEAD, GROUND | SERIAL NUMBERS: 001001-668812 |
| 35 | V485000040 | 1 | LEAD, GROUND | SERIAL NUMBERS: 668813-819355 |
| 35 | 16201020560 | 1 | LEAD, GROUND | SERIAL NUMBERS: 819356-879898 |
| 35 | V485000040 | 1 | LEAD, GROUND | SERIAL NUMBERS: 879899 & UP |
| 36 | 15862606361 | 1 | COIL, IGNITION | SERIAL NUMBERS: 001001-668812 |
| 36 | A411000020 | 1 | COIL, IGNITION | SERIAL NUMBERS: 668813-819355 |
| 36 | 15862606361 | 1 | COIL, IGNITION | SERIAL NUMBERS: 819356-879898 |
| 36 | A411000020 | 1 | COIL, IGNITION | SERIAL NUMBERS: 879899 & UP |
| 37 | 15880020560 | 1 | FLYWHEEL | SERIAL NUMBERS: 001001-668812 |
| 37 | A409000000 | 1 | FLYWHEEL | SERIAL NUMBERS: 668813-819355 |
| 37 | 15880020560 | 1 | FLYWHEEL | SERIAL NUMBERS: 819356-879898 |
| 37 | A409000100 | 1 | FLYWHEEL | SERIAL NUMBERS: 879899 & UP |
| 38 | 10153154330 | 2 | COLLAR | SERIAL NUMBERS: 001001-668812 |
| 38 | 10153154330 | 2 | COLLAR | SERIAL NUMBERS: 819356-879898 |
| 39 | 99944500071 | 1 | SPARK PLUG -- BPM-7Y | |
| 39 | 15901010230 | 1 | SPARK PLUG -- BPMR-7A ² | |

Footnotes

- 1: REPOWER BULK OPTION: 99944444000
 2: CANADA MODELS

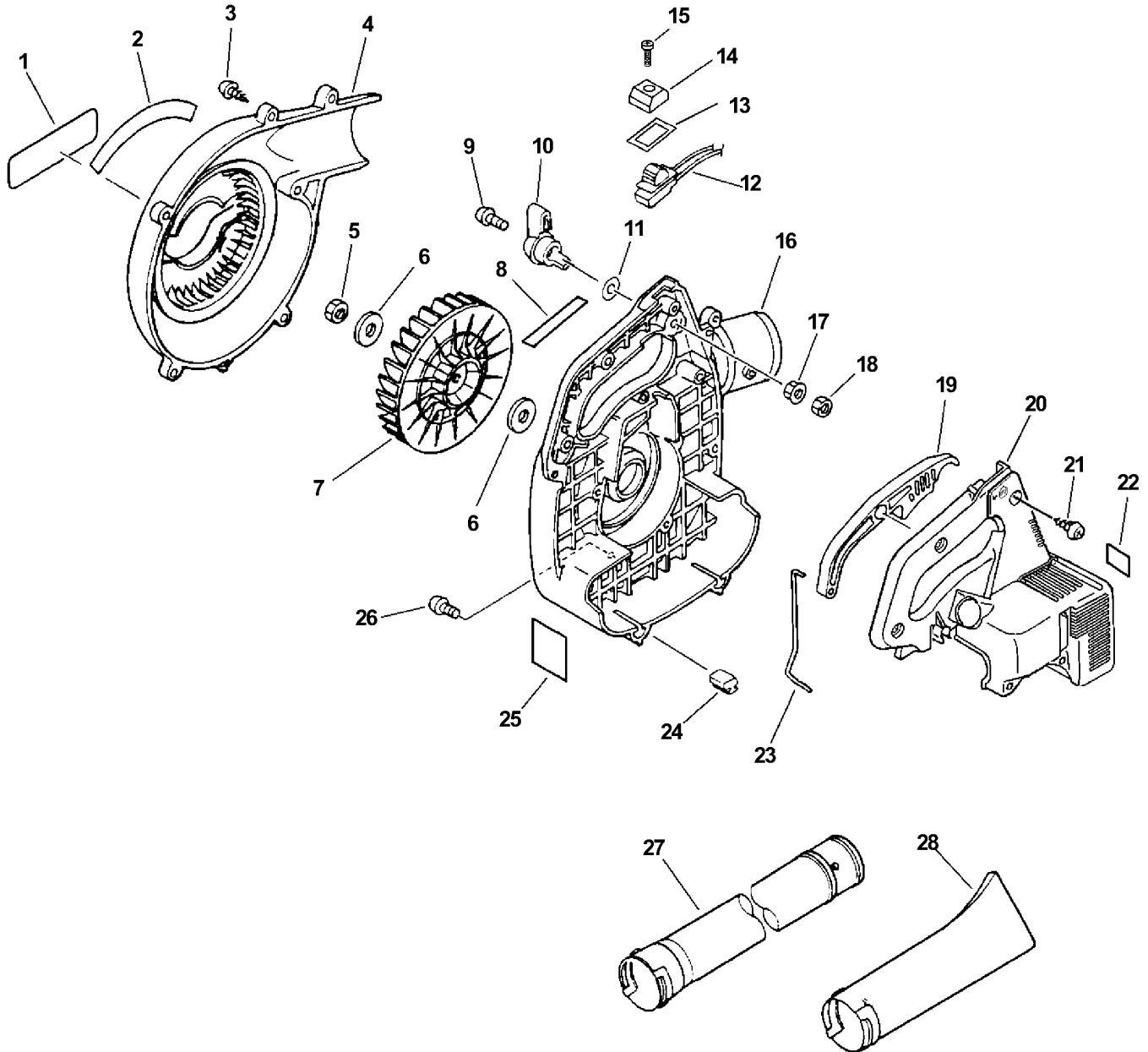


| ITEM | PART NUMBER | QTY | DESCRIPTION | REMARKS |
|------|-------------|-----|--------------------------------|-------------------------------|
| 1 | SB1026 | 1 | SHORT BLOCK ¹ | INCLUDES ITEMS 2-17 |
| 2 | 90016205022 | 2 | SCREW 5X22 | |
| 3 | 10101044332 | 1 | GASKET, CYLINDER ² | |
| 4 | 10010044733 | 1 | CRANKSHAFT ASY | INCLUDES ITEM 5 |
| 5 | 10001251230 | 1 | BEARING, NEEDLE | |
| 6 | 10020452130 | 1 | CRANKCASE KIT | INCLUDES ITEMS 17-11 |
| 7 | 10021242030 | 2 | OIL SEAL | |
| 8 | V622000020 | 2 | DOWEL PIN | |
| 9 | 90081036201 | 2 | BEARING, BALL 6201 | |
| 10 | 10024242030 | 1 | GASKET, CRANKCASE ² | |
| 11 | 90016205028 | 3 | SCREW 5X28 | |
| 12 | 10000048732 | 1 | PISTON KIT | INCLUDES ITEMS 13-16 |
| 13 | 10001311520 | 1 | PIN, PISTON | |
| 14 | 10001504630 | 2 | CIRCLIP, PISTON PIN | |
| 15 | 10001411520 | 2 | SPACER, PISTON PIN | |
| 16 | 10001105330 | 2 | RING, PISTON | SERIAL NUMBERS: 001001-626617 |
| 17 | 10101106562 | 1 | CYLINDER | SERIAL NUMBERS: 001001-626617 |
| 16 | A101000000 | 2 | RING, PISTON | SERIAL NUMBERS: 626618 & UP |
| 17 | A130000020 | 1 | CYLINDER | SERIAL NUMBERS: 626618 & UP |

Footnotes

1: OPTIONAL ENGINE REPOWER

2: Also Included In GASKET KIT



| ITEM | PART NUMBER | QTY | DESCRIPTION | REMARKS |
|------|-------------|-----|------------------------|----------------------|
| 1 | 89011820560 | 1 | LABEL, ECHO | |
| 2 | 89011520560 | 1 | LABEL - MODEL | |
| 3 | 90025305020 | 6 | SCREW, 5X20 | |
| 4 | 20011120561 | 1 | CASE, FAN | |
| 5 | 90050000008 | 1 | NUT 8 | |
| 6 | 10013205660 | 2 | WASHER | |
| 7 | 20001020560 | 1 | FAN | |
| 8 | 89017620561 | 1 | LABEL, NOISE | |
| 9 | 90023805025 | 1 | SCREW, 5X25 | |
| 10 | 17805420560 | 1 | CONTROL, THROTTLE | |
| 11 | 90060300005 | 1 | WASHER 5 | |
| 12 | 16340120560 | 1 | IGNITION SWITCH ASY | INCLUDES ITEMS 13-15 |
| 13 | 89015712330 | 1 | DECAL, STOP | |
| 14 | 16341049231 | 1 | KNOB, SWITCH | |
| 15 | 90022003010 | 1 | SCREW | |
| 16 | 20010520562 | 1 | CASE, FAN | |
| 17 | 90051600005 | 1 | NUT, FLANGE 5 | |
| 18 | 90050200005 | 1 | NUT 5 | |
| 19 | 17801020560 | 1 | CONTROL, THROTTLE | |
| 20 | 10401220560 | 1 | COVER, ENGINE | |
| 21 | 90025305020 | 5 | SCREW, 5X20 | |
| 22 | 89016006361 | 1 | LABEL - CAUTION -- HOT | |
| 23 | 17801120560 | 1 | ROD, THROTTLE | |
| 24 | 35133520560 | 2 | CUSHION | |
| 25 | 89016003360 | 1 | LABEL, CAUTION | |
| 26 | 90016204022 | 4 | BOLT, 4X22 | |
| 27 | 21001505060 | 1 | PIPE, STRAIGHT | |
| 28 | 21001420560 | 1 | PIPE, BLOWER | |

| Use Gasket Kit | Contains: | Service Number | Description |
|-----------------------|------------------|-----------------------|--------------------|
| 88900020560 | | 10024242030 | GASKET, CRANKCASE |
| | | 10101044332 | GASKET, CYLINDER |
| | | 13001009561 | GASKET, INTAKE |
| | | 13001020560 | GASKET, INTAKE |
| | | 14586642031 | GASKET, EXHAUST |
| | | V104000160 | GASKET, EXHAUST |

300 0030 000

| <u>ITEM</u> | <u>PART NUMBER</u> | <u>QTY</u> | <u>DESCRIPTION</u> | <u>REMARKS</u> |
|-------------|--------------------|------------|--------------------|----------------|
| 1 | 88900020560 | 1 | GASKET KIT | |

| RePower Filter Kit | Contains: Service Number | Description |
|---------------------------|---------------------------------|--------------------|
| 90008 | 13031054130 | AIR FILTER |
| | 13120507320 | FUEL FILTER |

400 0004 000

| <u>ITEM</u> | <u>PART NUMBER</u> | <u>QTY</u> | <u>DESCRIPTION</u> | <u>REMARKS</u> |
|-------------|--------------------|------------|--------------------|----------------|
| 1 | 90008 | 1 | FILTER KIT | |

| RePower Tune-Up Kit | Contains: Service Number | Description |
|----------------------------|---------------------------------|--------------------|
| 90064 | 13031054130 | AIR FILTER |
| | 13120507320 | FUEL FILTER |
| | 99944500071 | SPARK PLUG BPM-7Y |

| <u>ITEM</u> | <u>PART NUMBER</u> | <u>QTY</u> | <u>DESCRIPTION</u> | <u>REMARKS</u> |
|-------------|--------------------|------------|--------------------|----------------|
| 1 | 90064 | 1 | TUNE-UP KIT | |

FOR CANADA MODELS

| RePower Tune-Up Kit | Contains: | Service Number | Description |
|----------------------------|------------------|-----------------------|--------------------|
| 90064C | | 13031054130 | AIR FILTER |
| | | 13120507320 | FUEL FILTER |
| | | 15901010230 | SPARK PLUG BPMR-7A |

| <u>ITEM</u> | <u>PART NUMBER</u> | <u>QTY</u> | <u>DESCRIPTION</u> | <u>REMARKS</u> |
|-------------|--------------------|------------|--------------------|----------------|
| 1 | 90064C | 1 | TUNE-UP KIT | |

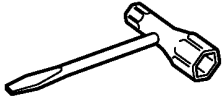
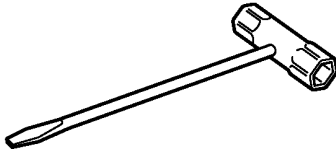
WRENCH W/SCREWDRIVER (Also Remove Spark Plugs)

1 - 89541010630 -- 17X19mm

2 - X602000020 -- 17X19mm

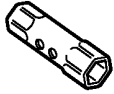
3 - 89541039131 -- 10X19mm

4 - 89541006960 -- 13X19mm



BOX WRENCH

5 - X602000031 -- 17X14.5mm



LOCKING BAR

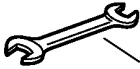
6 - 89751801131 -- 5X120mm



SPANNER

7 - 89511200330 -- 8X10mm

8 - 89512220960 -- 17X19mm



9 - 89501505260 -- 10mm



HEX BAR

10 - 89541220960 -- 10mm



L-WRENCH

11 - 89561203430 -- 3mm



12 - 89561000130 -- 4mm

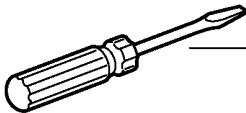


13 - 89561100330 -- 5mm

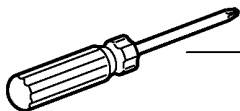


SCREWDRIVER

14 - 89581100130 -- 125mm



15 - 89581203930 -- 50mm



200 0001 000

| ITEM | PART NUMBER | QTY | DESCRIPTION | REMARKS |
|------|-------------|-----|-------------------------------|---------|
| 1 | 89541010630 | 1 | WRENCH/SCREWDRIVER -- 17X19mm | |
| 2 | X602000020 | 1 | WRENCH/SCREWDRIVER -- 17X19mm | |
| 3 | 89541039131 | 1 | WRENCH/SCREWDRIVER -- 10X19mm | |
| 4 | 89541006960 | 1 | WRENCH/SCREWDRIVER -- 13X19mm | |
| 5 | X602000031 | 1 | BOX WRENCH -- 17X14.5mm | |
| 6 | 89751801131 | 1 | LOCKING BAR -- 5X120mm | |
| 7 | 89511200330 | 1 | SPANNER -- 8X10mm | |
| 8 | 89512220960 | 1 | SPANNER -- 17X19mm | |
| 9 | 89501505260 | 1 | SPANNER -- 10mm | |
| 10 | 89541220960 | 1 | HEX BAR -- 10mm | |
| 11 | 89561203430 | 1 | L-WRENCH -- 3mm | |
| 12 | 89561000130 | 1 | L-WRENCH -- 4mm | |
| 13 | 89561100330 | 1 | L-WRENCH -- 5mm | |
| 14 | 89581100130 | 1 | SCREWDRIVER -- 125mm | |
| 15 | 89581203930 | 1 | SCREWDRIVER -- 50mm | |



Part Number Index

Click The Page Number After Any Part Number To View The Diagram Containing That Part.

| Part Number | Page | Part Number | Page | Part Number | Page |
|-------------|-----------|-------------|---------------|-------------|---------|
| ----- |5, 7 | 15901103432 |9 | A101000000 |11 |
| 10000048732 |11 | 15901201620 |9 | A130000020 |11 |
| 10001105330 |11 | 16201020560 |9 | A313000020 |5 |
| 10001251230 |11 | 16202120560 |9 | A409000000 |9 |
| 10001311520 |11 | 16340120560 |13 | A409000100 |9 |
| 10001411520 |11 | 16341049231 |13 | A411000020 |9 |
| 10001504630 |11 | 17720042033 |9 | SB1026 |11 |
| 10010044733 |11 | 17720244330 |9 | V104000001 |5 |
| 10013205660 |13 | 17721544430 |9 | V485000040 |9 |
| 10020452130 |11 | 17721844330 |9 | V622000020 |11 |
| 10021242030 |11 | 17722042030 |9 | X602000020 |23 |
| 10024242030 |11 | 17722610120 |9 | X602000031 |23 |
| 10101044332 |11 | 17722742030 |9 | | |
| 10101106562 |11 | 17722806530 |9 | | |
| 10151420560 |5 | 17723442030 |9 | | |
| 10153154330 |9 | 17723644330 |9 | | |
| 10401220560 |13 | 17801020560 |13 | | |
| 12520020560 |7 | 17801120560 |13 | | |
| 12530020560 |7 | 17805420560 |13 | | |
| 12530320560 |7 | 20001020560 |13 | | |
| 12531011610 |7 | 20001105661 |9 | | |
| 12531308560 |7 | 20010520562 |13 | | |
| 12531451230 |7 | 20011120561 |13 | | |
| 12531620560 |7 | 21001420560 |13 | | |
| 12531706860 |7 | 21001505060 |13 | | |
| 12531820560 |7 | 21041752730 |5 | | |
| 12531942030 |7 | 35133520560 |13 | | |
| 12532020560 |7 | 43721011131 |9 | | |
| 12532411610 |7 | 88900020560 |15 | | |
| 12532713930 |7 | 89011520560 |13 | | |
| 12532908560 |7 | 89011820560 |13 | | |
| 12532909860 |7 | 89011849130 |9 | | |
| 12533406860 |7 | 89012105360 |5 | | |
| 12533942030 |7 | 89012106360 |5 | | |
| 12534207360 |7 | 89015712330 |13 | | |
| 12534452130 |7 | 89016003360 |13 | | |
| 12534813930 |7 | 89016006361 |13 | | |
| 12535020560 |7 | 89017620561 |13 | | |
| 12535307760 |7 | 89501505260 |23 | | |
| 12536311610 |7 | 89511200330 |23 | | |
| 12537607360 |7 | 89512220960 |23 | | |
| 12537813930 |7 | 89541006960 |23 | | |
| 12538146730 |7 | 89541010630 |23 | | |
| 12901152730 |5 | 89541039131 |23 | | |
| 13001009561 |5 | 89541220960 |23 | | |
| 13001020560 |5 | 89561000130 |23 | | |
| 13001705062 |5 | 89561100330 |23 | | |
| 13030706561 |5 | 89561203430 |23 | | |
| 13031054130 |5 | 89581100130 |23 | | |
| 13031306562 |5 | 89581203930 |23 | | |
| 13100455530 |9 | 89751801131 |23 | | |
| 13100520560 |9 | 90008 |17 | | |
| 13104528230 |9 | 90010505055 |5 | | |
| 13105156030 |9 | 90016204016 |9 | | |
| 13120507320 |9 | 90016204022 |9, 13 | | |
| 13130056430 |9 | 90016205022 |11 | | |
| 13131239130 |9 | 90016205028 |11 | | |
| 13132840630 |9 | 90022003010 |13 | | |
| 13201056330 |9 | 90023805016 |9 | | |
| 13201103360 |9 | 90023805022 |5 | | |
| 13201212360 |9 | 90023805025 |13 | | |
| 13211546730 |9 | 90024204010 |5 | | |
| 14551042031 |5 | 90024205065 |5 | | |
| 14580642030 |5 | 90025305020 |13 | | |
| 14586240630 |5 | 90050000005 |5 | | |
| 14586642031 |5 | 90050000008 |13 | | |
| 14587105760 |5 | 90050200005 |13 | | |
| 14587420560 |5 | 90051600005 |13 | | |
| 14587642030 |5 | 90060300005 |5, 9, 13 | | |
| 15661105060 |9 | 90064 |19 | | |
| 15862606361 |9 | 90064C |21 | | |
| 15880020560 |9 | 90081036201 |11 | | |
| 15901010230 |9 | 99944500071 |9 | | |



Part Description Index

Click The Page Number After Any Part Description To View The Diagram Containing That Part.

B

BEARING, BALL 6201.....11
 BEARING, NEEDLE.....11
 BODY, CARBURETOR.....7
 BOLT, 4X16.....9
 BOLT, 4X22.....9, 13
 BOLT, WING.....5
 BOX WRENCH -- 17X14.5mm.....23

C

CAP, SPARK PLUG.....9
 CARBURETOR.....5
 CARBURETOR -- C1U-K42.....7
 CASE, AIR CLEANER.....5
 CASE, FAN.....13
 CIRCLIP, PISTON PIN.....11
 CLIP.....7
 COIL, IGNITION.....9
 COIL, SPARK PLUG CAP.....9
 COLLAR.....9
 CONNECTOR, FUEL CAP.....9
 CONNECTOR, FUEL PIPE.....9
 CONTROL, THROTTLE.....13
 COVER, AIR CLEANER.....5
 COVER, CYLINDER.....5
 COVER, DIAPHRAGM.....7
 COVER, ENGINE.....13
 COVER, MUFFLER.....5
 COVER, PUMP.....7
 COVER, VENT.....9
 CRANKCASE KIT.....11
 CRANKSHAFT ASY.....11
 CUSHION.....13
 CYLINDER.....11

D

DECAL, STOP.....13
 DIAPHRAGM, METERING.....7
 DIAPHRAGM, PUMP.....7
 DOWEL PIN.....11
 DRUM, STARTER.....9

F

FAN.....13
 FILTER KIT.....17
 FILTER, AIR.....5
 FLYWHEEL.....9
 FUEL TANK CAP ASY.....9

G

GASKET KIT.....15
 GASKET, CRANKCASE.....11
 GASKET, CYLINDER.....11
 GASKET, EXHAUST.....5
 GASKET, INTAKE.....5
 GASKET, METERING DIAPHRAGM.....7
 GASKET, MUFFLER.....5
 GASKET, PUMP.....7
 GASKET/DIAPHRAGM KIT.....7
 GRIP, STARTER.....9
 GROMMET, FUEL.....9
 GUIDE, EXHAUST.....5
 GUIDE, EXHAUST - OUTER.....5

GUIDE, ROPE.....9

H

HEX BAR -- 10mm.....23
 HUB, FAN.....9

I

IGNITION SWITCH ASY.....13
 INSULATOR, INTAKE.....5

K

KNOB, SWITCH.....13

L

LABEL - CAUTION -- HOT.....13
 LABEL - MODEL.....13
 LABEL, CAUTION.....13
 LABEL, CHOKE.....5
 LABEL, ECHO.....9, 13
 LABEL, NOISE.....13
 LEAD, GROUND.....9
 LEAD, IGNITION.....9
 LEVER, METERING.....7
 LEVER, THROTTLE.....7
 LIMITER, MIXTURE.....7
 LOCKING BAR -- 5X120mm.....23
 L-WRENCH -- 3mm.....23
 L-WRENCH -- 4mm.....23
 L-WRENCH -- 5mm.....23

M

MUFFLER.....5

N

NEEDLE, HIGH SPEED.....7
 NOZZLE, CHECK VALVE.....7
 NUT 5.....5, 13
 NUT 8.....13
 NUT, FLANGE 5.....13

O

OIL SEAL.....11

P

PAWL, STARTER.....9
 PIECE, FRICTION.....7
 PIN, METERING LEVER.....7
 PIN, PISTON.....11
 PIPE, BLOWER.....13
 PIPE, FUEL.....9
 PIPE, FUEL - 3X5X90.....9
 PIPE, RETURN - 3X6X90.....9
 PIPE, STRAIGHT.....13
 PIPE, VENT - 3X5X70.....9
 PISTON KIT.....11
 PLATE, PREVENT.....5
 PLUG, WELCH.....7
 PURGE, PUMP.....7

R

REPAIR KIT.....7
 RETAINER, PURGE PUMP.....7

RING, PISTON.....11
 ROD, THROTTLE.....13
 ROPE, STARTER - 3X1000mm.....9

S

SCREEN.....7
 SCREEN, MUFFLER.....5
 SCREW.....7, 9, 13
 SCREW 5X22.....11
 SCREW 5X28.....11
 SCREW 5X55.....5
 SCREW, 4X10.....5
 SCREW, 5X16.....9
 SCREW, 5X20.....13
 SCREW, 5X22.....5
 SCREW, 5X25.....13
 SCREW, 5X65.....5
 SCREW, IDLE ADJUST.....7
 SCREW, IDLE NEEDLE.....7
 SCREWDRIVER -- 125mm.....23
 SCREWDRIVER -- 50mm.....23
 SHAFT, THROTTLE.....7
 SHORT BLOCK.....11
 SPACER.....9
 SPACER, PISTON PIN.....11
 SPANNER -- 10mm.....23
 SPANNER -- 17X19mm.....23
 SPANNER -- 8X10mm.....23
 SPARK PLUG -- BPM-7Y.....9
 SPARK PLUG -- BPMR-7A.....9
 SPRING, METERING LEVER.....7
 SPRING, NEEDLES.....7
 SPRING, RETURN.....9
 SPRING, REWIND.....9
 SPRING, THROTTLE RETURN.....7
 STARTER ASY.....9
 STARTER PAWL ASY.....9
 STRAINER, FUEL.....9

T

TANK, FUEL.....9
 TUBE.....9
 TUNE-UP KIT.....19, 21

V

VALVE, CHECK.....9
 VALVE, INLET NEEDLE.....7
 VALVE, THROTTLE.....7

W

WASHER.....7, 13
 WASHER 5.....5, 9, 13
 WRENCH/SCREWDRIVER -- 10X19mm.....23
 WRENCH/SCREWDRIVER -- 13X19mm.....23
 WRENCH/SCREWDRIVER -- 17X19mm.....23



ECHO, INCORPORATED

400 Oakwood Road
Lake Zurich, IL 60047 USA

WWW.ECHO-USA.COM
