

DOLMAR

English / Français / Spanish



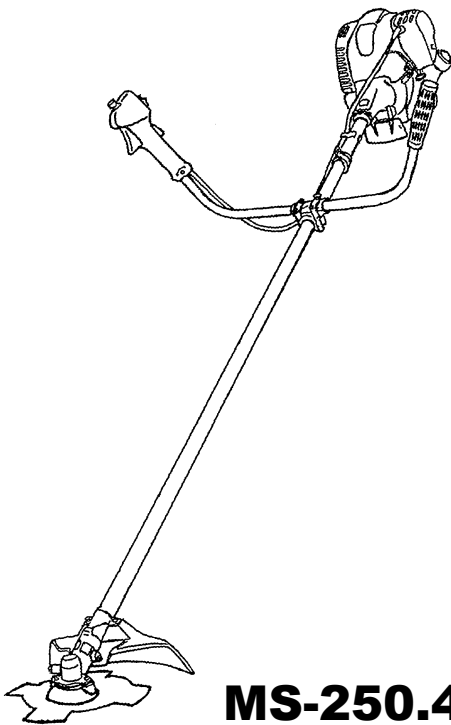
Brush Cutter Débroussailleuse Desbrozadora

MS-250.4

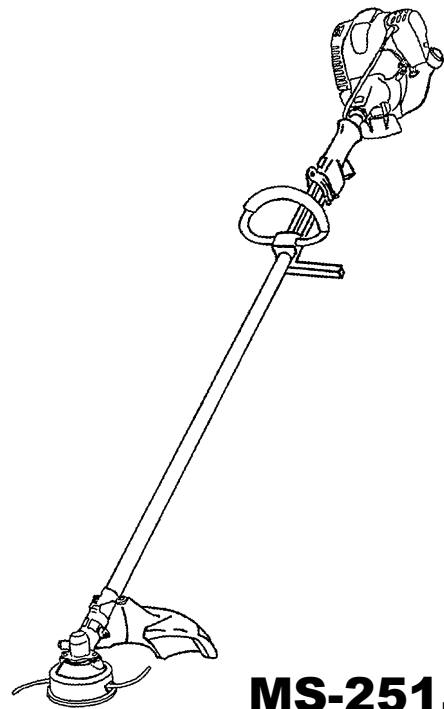
String Trimmer Taille-bordures Cortabordes

MS-251.4

INSTRUCTION MANUAL MANUEL D'INSTRUCTIONS MANUAL DE INSTRUCCIONES



MS-250.4



MS-251.4

Important:

Read this instruction manual carefully before putting the Brush Cutter/String Trimmer into operation and strictly observe the safety regulations!

Preserve instruction manual carefully!

Recommandation importante:

Lire soigneusement ce manuel d'instructions avant de mettre la débroussailleuse / taille-bordures en service et observer rigoureusement les consignes de sécurité!

Conserver soigneusement ce manuel d'instructions.

Importante:

Leer cuidadosamente este manual de instrucciones antes de poner en marcha la máquina y observar estrictamente las normas de seguridad.

Conservar este manual de instrucciones con cuidado.

Thank you very much for purchasing the DOLMAR Brush Cutter/String trimmer. We are pleased to recommend to you the DOLMAR Brush Cutter/String trimmer which is the result of a long development programme and many years of knowledge and experience.

Please read this booklet which refers in detail to the various points that will demonstrate its outstanding performance. This will assist you to obtain the best possible result from your DOLMAR Brush Cutter/String trimmer.

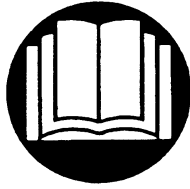


Table of Contents	Page
Symbols	1
Safety instructions	2
Technical data	6
Designation of parts	7
Mounting of handle	8
Mounting of protector	9
Mounting of cutter blade or nylon cutting head	10
Before start of operation	11
Correct handling of machine	13
Points in operation and how to stop	13
Resharpener the cutting tool	15
Servicing instructions	17
Storage	20

SYMBOLS

You will note the following symbols when reading the instructions manual.

	Read instruction Manual		Wear eye and ear protection (for String trimmer only)
	Take Particular care and Attention		Wear protective helmet, eye and ear protection (for Brush Cutter only)
	Forbidden		Do not use metal blades (for String trimmer only)
	Keep distance		Top permissible tool speed
	Flying object hazard		Fuel (Gasoline)
	No Smoking		Engine-Manual start
	No open flame		Emergency stop
	Protective gloves must be worn		First Aid
	Kickback		Recycling
	Keep the area of operation clear of all persons and pets		ON/START
			OFF/STOP

SAFETY INSTRUCTIONS

General Instructions

- To ensure correct operation, user has to read this instruction manual to make himself familiar with the handling of the Brush Cutter/String trimmer. Users insufficiently informed will risk danger to themselves as well as others due to improper handling.
- It is recommended only to lend the Brush Cutter/String trimmer to people who have proven to be experienced with Brush Cutter/String trimmers. Always hand over the instruction manual.
- First users should ask the dealer for basic instructions to familiarize oneself with the handling of an engine powered cutter.
- Children and young persons aged under 18 years must not be allowed to operate the Brush Cutter/String trimmer. Persons over the age of 16 years may however use the device for the purpose of being trained only whilst under supervision of a qualified trainer.
- Use Brush Cutter/String trimmers with the utmost care and attention.
- Operate the Brush Cutter/String trimmer only if you are in good physical condition. Perform all work calmly and carefully. The user has to accept liability for others.
- Never use the Brush Cutter/String trimmer after consumption of alcohol or drugs, or if feeling tired or ill.

Intended use of the machine

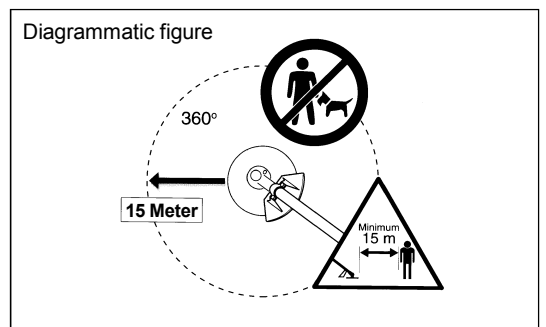
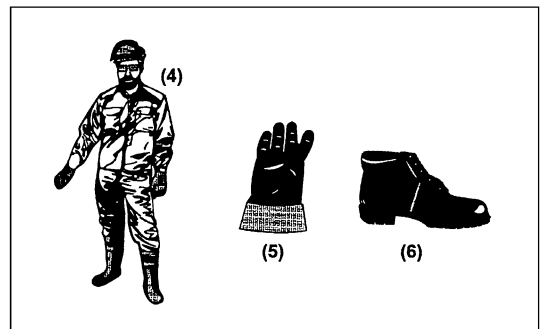
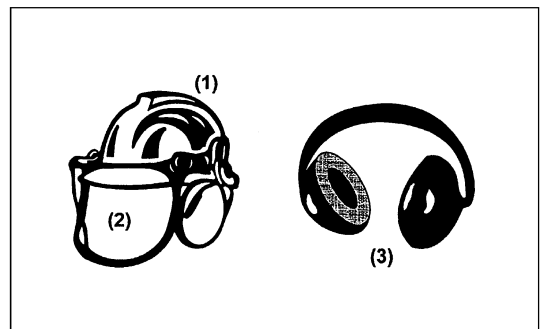
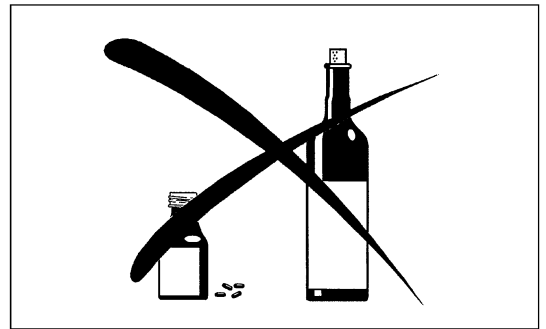
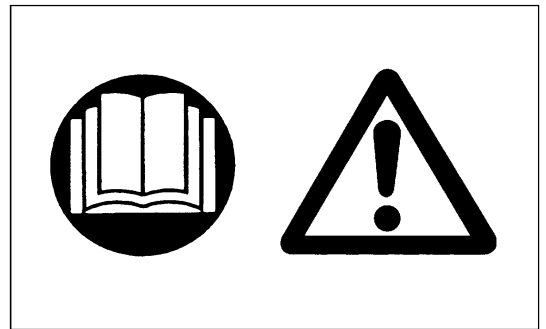
- The Brush Cutter/String trimmer is only intended for cutter grass, weeds, Bushes, undergrowth it should not be used for any other purpose such as Edging or hedge cutting as this may cause injury.

Personal protective equipment

- The clothing worn should be functional and appropriate, i.e. it should be tight-fitting but not cause hindrance. Do not wear either jewelry or clothing which could become entangled with bushes or shrubs.
- In order to avoid either head-, eye-, hand- or foot injuries as well as to protect your hearing the following protective equipment and protective clothing must be used during operation of the Brush Cutter/String trimmer.
- Always wear a helmet where there is a risk of falling objects. The protective helmet (1) is to be checked at regular intervals for damage and is to be replaced at the latest after 5 years. Use only approved protective helmets.
- The visor (2) of the helmet (or alternatively goggles) protects the face from flying debris and stones. During operation of the Brush Cutter/String trimmer always wear goggles, or a visor to prevent eye injuries.
- Wear adequate noise protection equipment to avoid hearing impairment (ear muffs (3), ear plugs etc.).
- The work overalls (4) protect against flying stones and debris. We strongly recommend that the user wears work overalls.
- Special gloves (5) made of thick leather are part of the prescribed equipment and must always be worn during operation of the Brush Cutter/String trimmer.
- When using the Brush Cutter/String trimmer, always wear sturdy shoes (6) with a non-slip sole. This protects against injuries and ensures a good footing.

Starting up the brush cutter

- Please make sure that there are no children or other people within a working range of 15 meters (49ft), also pay attention to any animals in the working vicinity.
- Before use always check that the Brush Cutter/String trimmer is safe for operation:
Check the security of the cutting tool, the control lever for easy action and check for proper functioning of the control lever lock.
- Rotation of the cutting tool during idling speed is not allowed. Check with your dealer for adjustment if in doubt. Check for clean and dry handles and test the function of the start/stop switch.



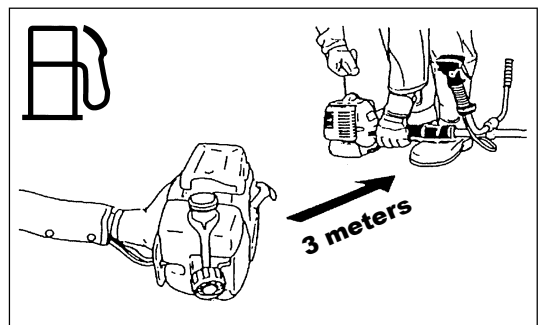
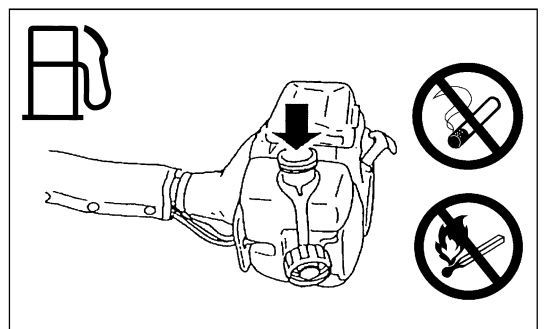
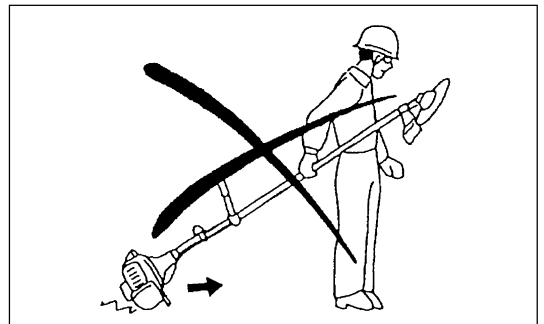
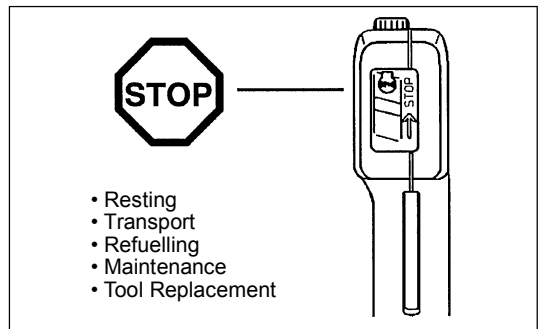
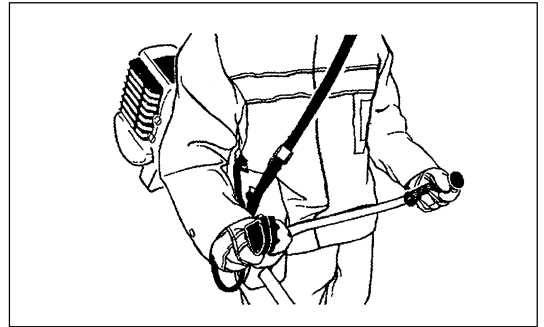
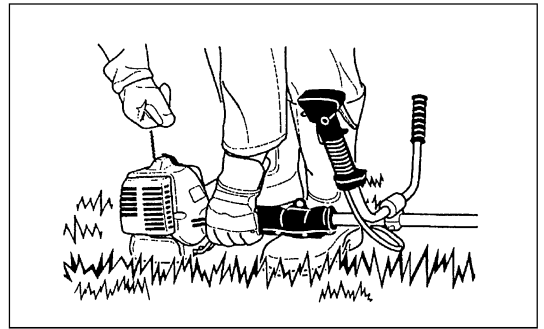
Start the Brush Cutter/String trimmer only in accordance with the instructions.

Do not use any other methods for starting the engine!

- Use the Brush Cutter/String trimmer and the tools only for such applications as specified.
- Only start the Brush Cutter/String trimmer engine, after the entire assembly is done. Operation of the device is only permitted after all the appropriate accessories are attached!
- Before starting make sure that the cutting tool has no contact with hard objects such as branches, stones etc. as the cutting tool will revolve when starting.
- The engine is to be switched off immediately in case of any engine problems.
- Should the cutting tool hit stones or other hard objects, immediately switch off the engine and inspect the cutting tool.
- Inspect the cutting tool at short regular intervals for damage (detection of hairline cracks by means of tapping-noise test).
- Operate the Brush Cutter/String trimmer only with the shoulder strap attached which is to be suitably adjusted before putting the Brush Cutter/String trimmer into operation. It is essential to adjust the shoulder strap according to the user's size to prevent fatigue occurring during use. Never hold the cutter with one hand during use.
- During operation always hold the Brush Cutter/String trimmer with both hands.
Always ensure a safe footing.
- Operate the Brush Cutter/String trimmer in such a manner as to avoid inhalation of the exhaust gases. Never run the engine in enclosed rooms (risk of gas poisoning). Carbon monoxide is an odorless gas.
- Switch off the engine when resting and when leaving the Brush Cutter/String trimmer unattended, and place it in a safe location to prevent danger to others or damage to the machine.
- Never put the hot Brush Cutter/String trimmer onto dry grass or onto any combustible materials.
- The cutting tool has to be equipped with it's appropriate guard.
Never run the cutter without this guard!
- All protective installations and guards supplied with the machine must be used during operation.
- Never operate the engine with faulty exhaust muffler.
- Shut off the engine during transport.
- During transport over long distances the tool protection included with the equipment must always be used.
- Ensure safe position of the Brush Cutter/String trimmer during car transportation to avoid fuel leakage.
- When transporting the Brush Cutter/String trimmer, ensure that the fuel tank is completely empty.
- When unloading the Brush Cutter/String trimmer from the truck, never drop the Engine to the ground or this may severely damage the fuel tank.
- Except in case of emergency, never drop or cast the Brush Cutter/String trimmer to the ground or this may severely damage the Brush Cutter/String trimmer.
- Remember to lift the entire equipment from the ground when moving the equipment. Dragging the fuel tank is highly dangerous and will cause damage and leakage of fuel, possibly causing fire.

Refuelling

- Shut off the engine during refuelling, keep away from open flames and do not smoke.
- Avoid skin contact with mineral oil products. Do not inhale fuel vapor. Always wear protective gloves during refuelling. Change and clean protective clothing at regular intervals.
- Take care not to spill either fuel or oil in order to prevent soil contamination (environmental protection). Clean the Brush Cutter/String trimmer immediately after fuel has been spilt.
- Avoid any fuel contact with your clothing. Change your clothing instantly if fuel has been spilt on it (to prevent clothing catching fire).
- Inspect the fuel cap at regular intervals making sure that it can be securely fastened and does not leak.
- Carefully tighten the fuel tank cap. Change location to start the engine (at least 3 meters away from the place of refuelling).
- Never refuel in closed rooms. Fuel vapors accumulate at ground level (risk of explosions).
- Only transport and store fuel in approved containers. Make sure the fuel stored is not accessible to children.



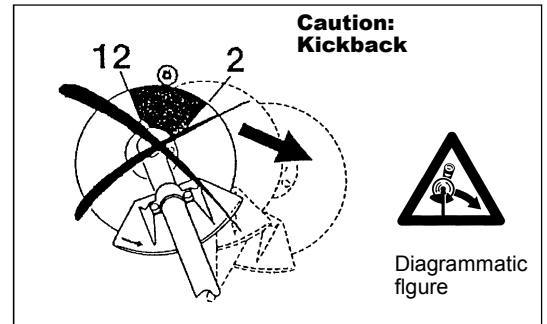
Method of operation

- Only use the Brush cutter/String trimmer in good light and visibility. During the winter season beware of slippery or wet areas, ice and snow (risk of slipping). Always ensure a safe footing.
- Never cut above waist height.
- Never stand on a ladder and run the Brush cutter/String trimmer.
- Never climb up into trees to perform cutting operation with the Brush cutter/String trimmer.
- Never work on unstable surfaces.
- Remove sand, stones, nails etc. found within the working range. Foreign particles may damage the cutting tool and can cause dangerous kick-backs.
- Before commencing cutting, the cutting tool must have reached full working speed.



Kickback

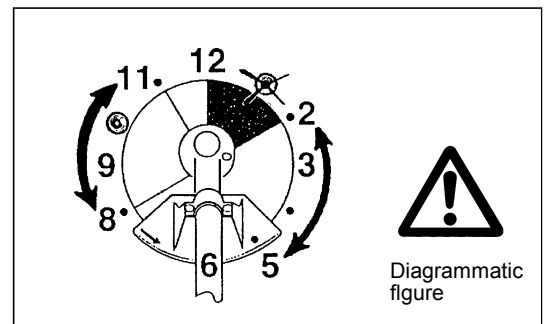
- When operating the brush cutter, uncontrolled kickback may occur.
- This is particularly the case when attempting to cut within a blade segment between 12 and 2 o'clock.
- Never apply the brush cutter within a segment between 12 and 2 o'clock.
- Never apply this segment of the brush cutter blade to solids, such as bushes and trees, etc., having a diameter in excess of 3 cm or the brush cutter will be deflected at great force with the risk of injuries.



Kickback prevention

To avoid kickbacks, observe the following:

- Operation within a blade segment between 12 and 2 o'clock presents positive hazards, especially when using metal cutting tools.
- Cutting operations within a blade segment between 11 and 12 o'clock, and between 2 and 5 o'clock, must only be performed by trained and experienced operators, and then only at their own risk.
- Easy cutting with almost no kickback is possible within a blade segment between 8 and 11 o'clock.

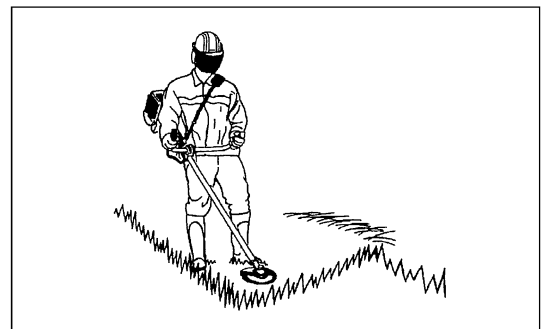


Cutting Tools

Employ only the correct cutting tool for the job in hand.

MS-250.4, MS-251.4 with cutter blade (Star Blade (4 teeth), Eddy Blade (8 teeth)), Nylon cutting head

For cutting thick materials, such as weed, high grass, bushes, shrubs, underwood, thicket etc. (max. 2 cm dia. thickness). Perform this cutting work by swinging the brush cutter evenly in half-circles from right to left (similar to using a scythe).



Maintenance instructions

- The condition of the cutter, in particular of the cutting tool of the protective devices and also of the shoulder strap must be checked before commencing work. Particular attention is to be paid to the cutting blades which must be correctly sharpened.
- Turn off the engine and remove spark plug connector when replacing or sharpening cutting tools, and also when cleaning the cutter or cutting tool.

Never straighten or weld damaged cutting tools.

- Operate the Brush cutter/Grass trimmer with as little noise and contamination as possible. In particular check the correct setting of the carburetor.
- Clean the Brush cutter/Grass trimmer at regular intervals and check that all screws and nuts are well tightened.
- Never service or store the Brush cutter/Grass trimmer in the vicinity of naked flames.
- Always store the Brush cutter/Grass trimmer in locked rooms and with an emptied fuel tank.



Observe the relevant accident prevention instructions issued by the relevant trade associations and by the insurance companies. Do not perform any modifications on the Brush cutter/Grass trimmer as this will endanger your safety.

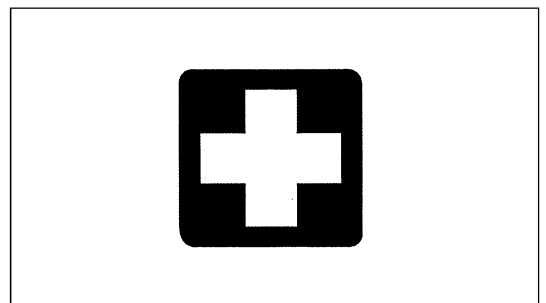
The performance of maintenance or repair work by the user is limited to those activities as described in the instruction manual. All other work is to be done by an Authorized Service Agent. Use only genuine spare parts and accessories released and supplied by DOLMAR. Use of non-approved accessories and tools means increased risk of accidents. DOLMAR will not accept any liability for accidents or damage caused by the use of non-approved cutting tools and fixing devices of cutting tools, or accessories.

First Aid

In case of accident make sure that a first-aid box is available in the vicinity of the cutting operations. Immediately replace any item taken from the first aid box.

When asking for help, please give the following information:

- Place of accident
- What happened
- Number of injured persons
- Kind of injuries
- Your name



Packaging

The DOLMAR Brush cutter/Grass trimmer will be delivered in two protective cardboard boxes to prevent transport damage. Cardboard is a basic raw material and is therefore consequently reusable or suitable for recycling (waste paper recycling).



EU Conformity Declaration

The undersigned, Shigeharu Kominami and Rainer Bergfeld, as authorized by DOLMAR GmbH, Jenfelder Str. 38, 22045 Hamburg, Germany, declare that the DOLMAR Machines,

Type : MS-250.4, MS251.4

manufactured by Robin conforms to the basic safety and health requirements of the applicable EU guidelines:

EU Machine guideline 98/37/EG

EU EMC guideline 89/336/EWG (modified by 91/263/EWG, 92/31/EWG and 93/68/EWG)

Noise Emission guideline 2000/14/EC

The most important standards applied to properly meet the requirements of the above EU guidelines were: EN11806, CISPR12, EN50082-1.

Technical Documentation: Fuji Robin Industries Ltd.
35 OHOKA, NUMAZU - CITY, SHIZUOKA - PREF, 410-8535 JAPAN
Mitsunori Watanabe
General Manager, Engineering Department

Guaranteed Sound Power : 106 dB (MS-250.4)
115 dB (MS-251.4)

Measured Sound Power : 102 dB (MS-250.4)
111 dB (MS-251.4)

Hamburg, 01.06.2005
For DOLMAR GmbH

Shigeharu Kominami
Managing Director

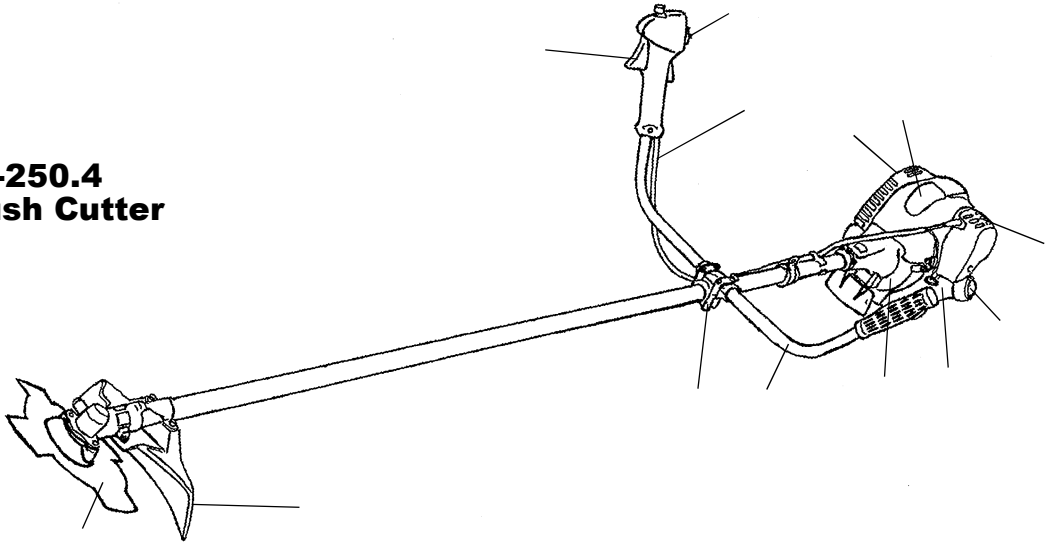
Rainer Bergfeld
Managing Director

TECHNICAL DATA MS-250.4, MS-251.4

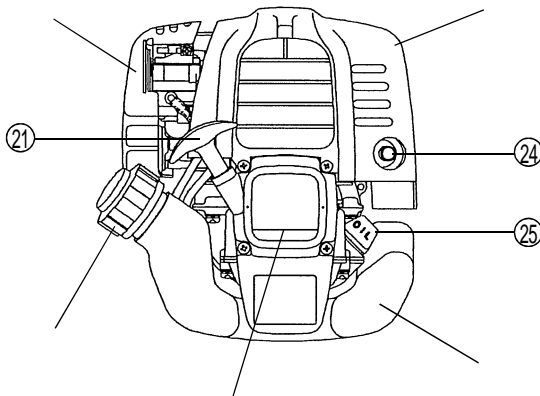
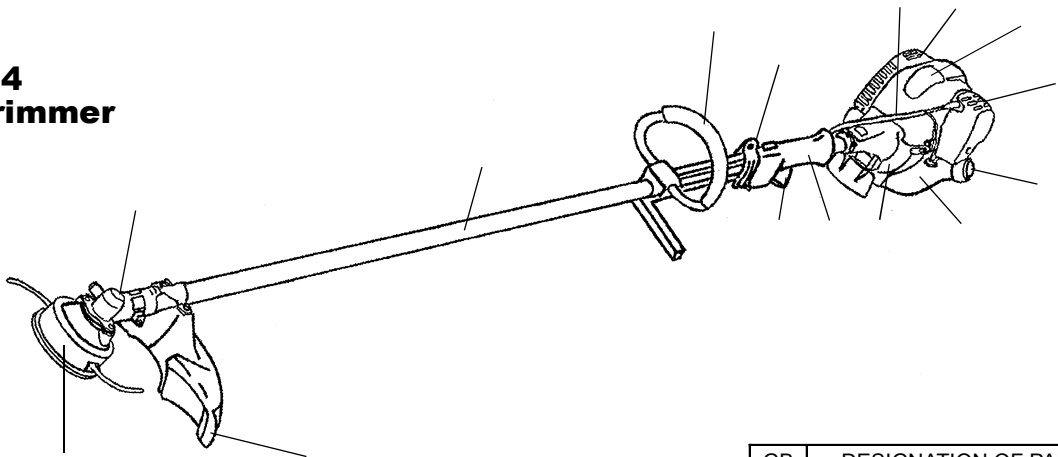
Model		MS-251.4	MS-250.4		
		Loop handle	U handle		
Dimensions : length x width x height (without cutting blade)	mm	1760x330x265	1760x600x405		
Mass (without plastic guard and cutting blade)	kg	5.2	5.4		
Volume (fuel tank)	L	0.5			
Volume (oil tank)	L	0.08			
Engine displacement	cc	24.5			
Maximum engine performance	HP	0.885 at 7000 /min			
Engine speed at recommended max. spindle speed	/min	8500			
Maximum spindle speed (corresponding)	/min	6500			
Maximum fuel consumption	kg/h	0.33			
Maximum specific fuel consumption	g/HPH	304			
Idling speed	/min	3000			
Clutch engagement speed	/min	3750			
Carburetor	type	WALBRO WYL			
Ignition system	type	Solid state ignition			
Spark plug	type	NGK CMR6A			
Electrode gap	mm	0.7 - 0.8			
Vibration per ISO 7916 ¹⁾	Right handle (Rear grip)	Idling	m/s ²	2.59	4.72
		Racing or W.O.T	m/s ²	6.27	4.7
	Left handle (Front grip)	Idling	m/s ²	3.26	3.83
		Racing or W.O.T	m/s ²	7.24	7.56
Sound pressure level average to ISO 7917 ¹⁾		dB	87.7	87.7	
Sound power level average to ISO 10884 ¹⁾		dB	97.7	97.7	
Fuel		Automobile gasoline			
Engine Oil		SAE 10W-30 oil of API Classification, Class SF or higher (4-stroke engine for automobile)			
Gear ratio		14/19			

DESIGNATION OF PARTS

**MS-250.4
Brush Cutter**



**MS-251.4
String trimmer**



GB	DESIGNATION OF PARTS
1	Fuel Tank
2	Rewind Starter
3	Air Cleaner
4	I-O Switch (on/off)
5	Spark Plug
6	Exhaust Muffler
7	Clutch Case
8	Rear Grip
9	Hanger
10	Handle
11	Control Lever
12	Control Cable
13	Shaft
14	Protector
15	Gear Case/Head Case
16	Handle Holder
17	Cutter Blade
18	Nylon Cutting Head
20	Fuel Filler Cap
21	Starter Knob
24	Exhaust Pipe
25	Oil Gauge

MOUNTING OF HANDLE

CAUTION: Before doing any work on the brush cutter, always stop the engine and pull the spark plug connector off the spark plug.
Always wear protective gloves!

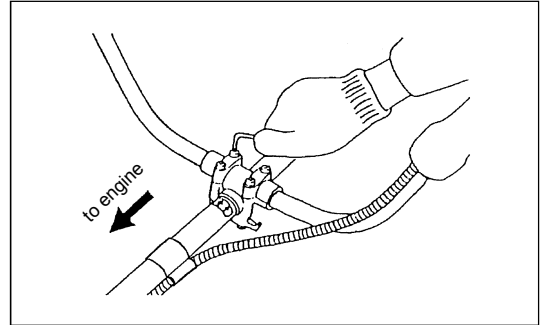
CAUTION: Start the brush cutter only after having assembled it completely.



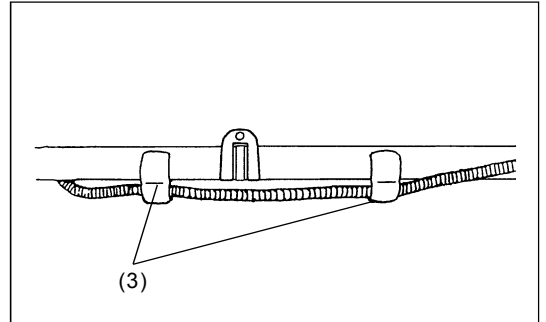
For machines with U Handle models

- Insert the handle bar into the handle holder, making sure that the boss in the handle holder fits into the hole in the handle.
- After the handle bar is in place, tighten the four bolts (M5 x 25).

NOTE: Be sure the bolts are tight, but do not overtighten.

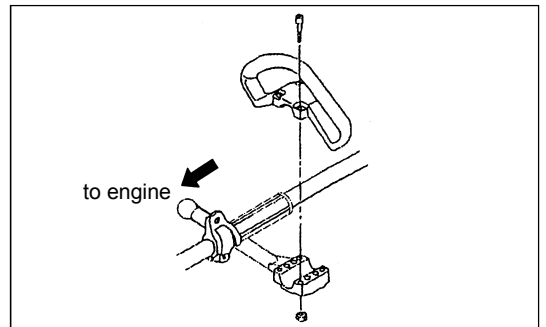


- Fit the control cable (together with the earth cord) to the handle with two clips (3).
- Avoid any tendency of the control cable to loop at the handle bar.



For machines with Loop Handle

- Fix a barrier to the left side of the machine together with the handle for operator's protection.
- Do not adjust position of the loop handle too close to the control grip. Keep not less than 250mm distance between the handle and the grip. (a distance collar is provided for this purpose.)



MOUNTING OF PROTECTOR



To meet the applicable safety provisions, only the tool/protector combinations as indicated in the table must be used.

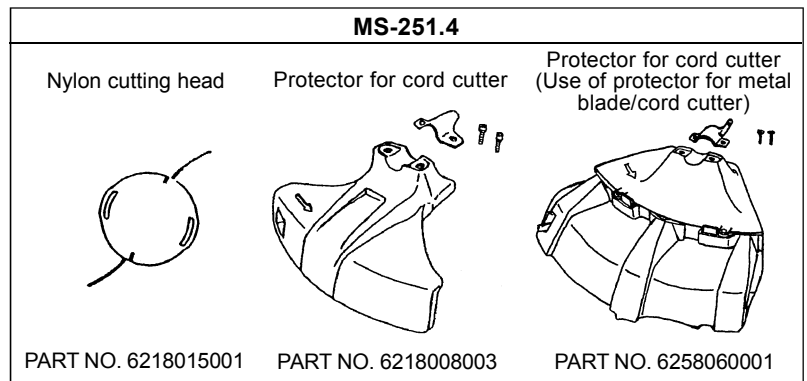
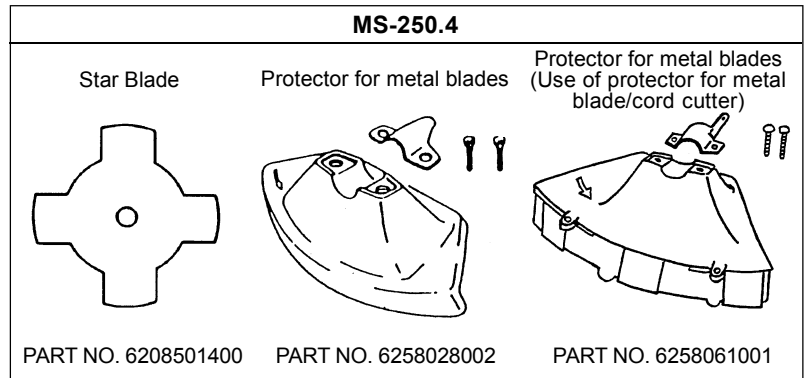
Be sure to use genuine DOLMAR cutter blades or nylon cutting head.

- The cutter blade must be well polished, free of cracks or breakage. If the cutter blade hits against a stone during operation, stop the engine and check the blade immediately.
- Polish or replace the cutter blade every three hours of operation.
- If the nylon cutting head hits against a stone during operation, stop the engine and check the nylon cutting head immediately.

CAUTION: The appropriate protector must always be installed, for your own safety and in order to comply with accident-prevention regulations. Operation of the equipment without the guard being in place is not permitted.

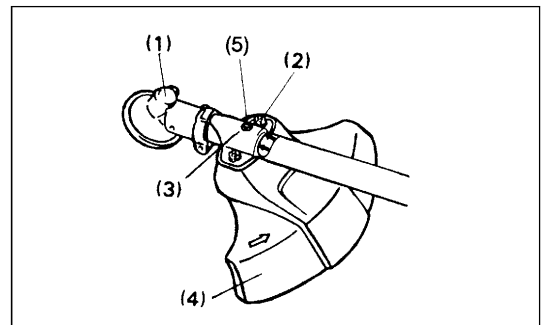
For MS-250.4

- The outside diameter of the cutter blade must be 230mm (9-1/16"). Never use any blades surpassing 230mm (9-1/16") in outside diameter.



For MS-250.4, MS-251.4

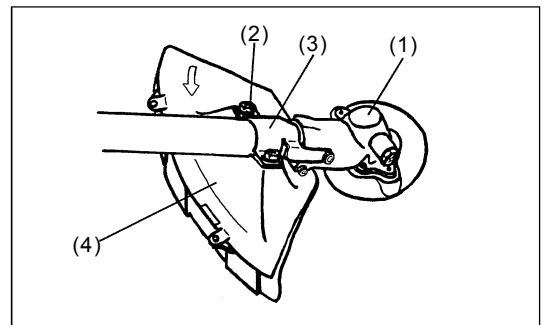
- Install the clamp (3) on the shaft so that the projection of the clamp (3) is inserted into the opening between the gear case (1) and the shaft. Secure the protector (4) with the installation bolts M6 x 30 (2) and screw M5 x 8 (5).



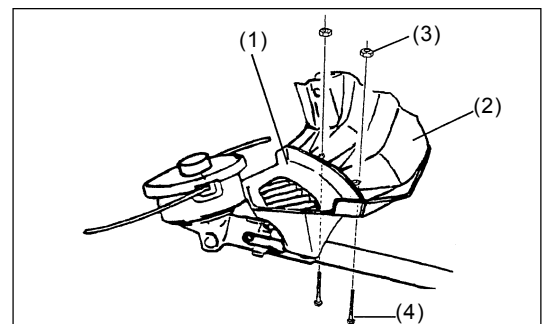
Use of protector for metal blade / cord cutter.

- In use of the metal blade, fasten the protector (4) to the clamp (3) with two bolts M6 x 30 (2).

NOTE: Tighten the right and left bolts evenly so that the gap between the clamp (3) and the protector (4) will be constant. Otherwise, the protector sometimes may not function as specified.



- In use of the cord cutter, insert the protector (2) into the protector (1), and fasten them with two screw (4) and two nuts (3).



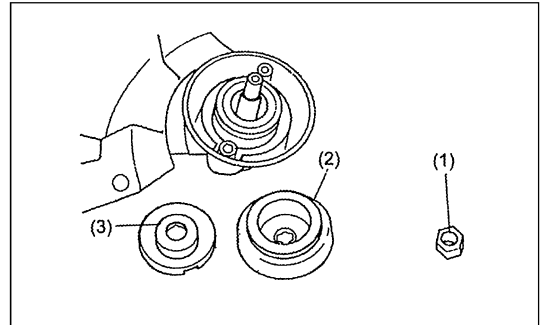
MOUNTING OF CUTTER BLADE OR NYLON CUTTER HEAD

Turn the machine upside down, and you can replace the cutter blade easily.



For MS-250.4, MS-251.4

- Insert the hex wrench through the hole in the gear case and rotate the receiver washer (3) until it is locked with the hex wrench.
- Loosen the nut (1) (left-hand thread) with the socket wrench and remove the nut (1), and clamp washer (2).

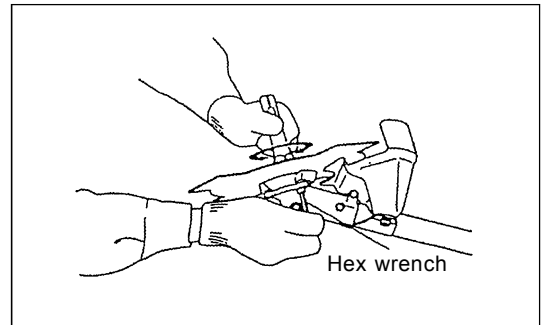


For MS-250.4 with the hex wrench still in place.

- Mount the cutter blade onto the shaft so that the guide of the receiver washer (3) fits in the arbor hole in the cutter blade. Install the clamp washer (2) and secure the cutter blade with the nut (1).
[Tightening torque: 13 - 23 N-m]

NOTE: Always wear gloves when handling the cutter blade.

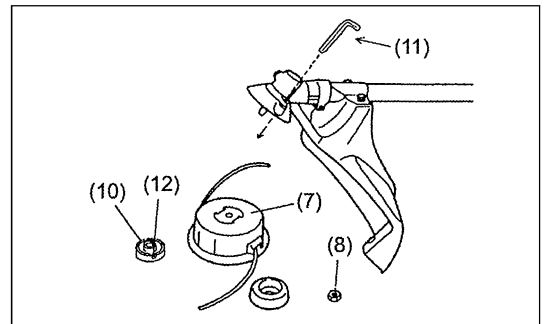
NOTE: The cutter blade-fastening nut (with spring washer) is a consumable part. If there appears any wear or deformation on the spring washer, replace the nut.



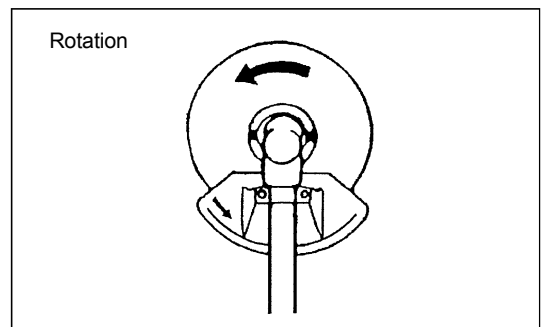
Mounting of nylon cutting head

For MS-251.4

- To install the nylon cutting head (7), remove the tightening nut (8).
- Insert the socket-head wrench (11) through the hole in the gear case and turn the support washer until it will be locked with its notch (12) (or the shaft will be locked).
- Then screw the nylon cutting head onto the shaft by turning it counter-clockwise.
- Remove the socket-head wrench.



- Make sure that the blade is the left way up.



BEFORE START OF OPERATION

Inspection and Refill of Engine Oil

- Perform the following procedure, with the engine cooled down.
- While keeping the engine level, remove the oil gauge, and confirm that the oil is filled within the upper and lower limit marks. When the oil is in short in such a way that the oil gauge touches the oil only by its tip, in particular with the oil gauge remaining inserted in the crankcase without screwing-in (Fig. 1), refill new oil near the port (Fig. 2).
- For reference, the oil refill time is about 10h (10 times or 10 tanks of oil refill).
- If the oil changes in color or mixes with dirt, replace it with new one. (For the interval and method of replacement, refer to P 17)

Recommended oil: SAE 10W-30 oil of API Classification, Class SF or higher (4-stroke engine for automobile)

Oil volume: Approx. 0.08L

Note: If the engine is not kept upright, oil may go into around the engine, and may be refilled excessively.
If the oil is filled above the limit, the oil may be contaminated or may catch fire with white.

Point 1 in Replacement of Oil "Oil Gauge"

- Remove dust or dirt near the oil refill port, and detach the oil gauge.
- Keep the detached oil gauge free of sand or dust. Otherwise, any sand or dust adhering to the oil gauge may cause irregular oil circulation or wear on the engine parts, which will result in troubles.
- As an example to keep the oil gauge clean, it is recommended to insert the oil gauge on its knob side into the engine cover, as shown in Fig.3.

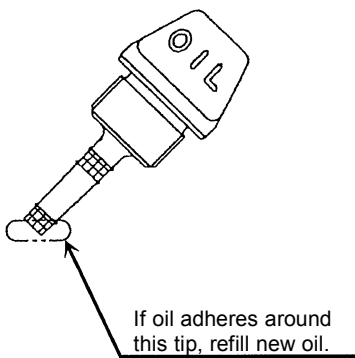


Fig.1

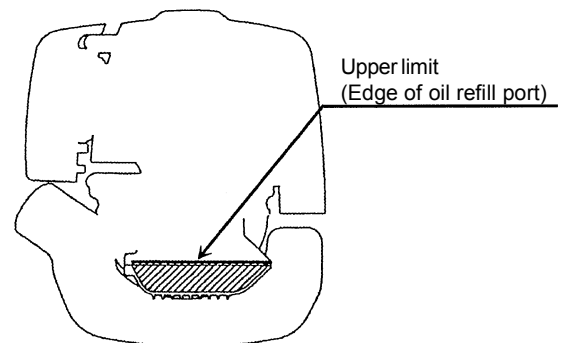


Fig.2

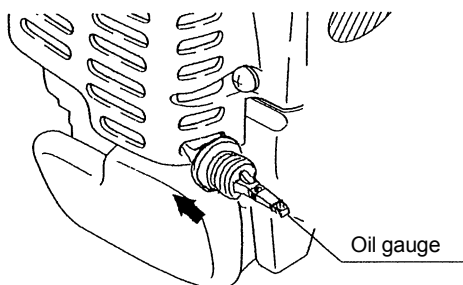
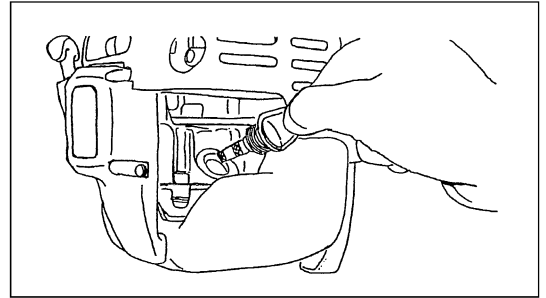
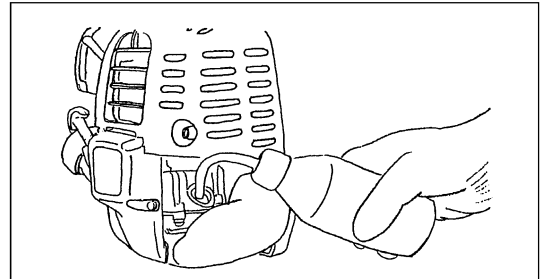


Fig.3

(1) Keep the engine level, and detach the oil gauge.



(2) Fill oil up to the edge of the oil refill port. (Refer to Fig.2 of the preceding page).
Feed oil with the lubricant refill container.



(3) Securely tighten the oil gauge. Insufficient tightening may cause oil leakage.

Point 2 in Replacement of Oil: "If oil spills out"

– If oil spills out between the fuel tank and engine main unit, the oil is sucked into through the cooling air intake port, which will contaminate the engine. Be sure to wipe out spilt oil before start of operation.

REFUELING

Handling of Fuel

It is necessary to handle fuel with utmost care. Fuel may contain substances similar to solvents. Refueling must be performed in a sufficiently ventilated room or in the open air. Never inhale fuel vapor, and keep fuel away from you. If you touch fuel repeatedly or for a long time, the skin becomes dry, which may cause skin disease or allergy. If fuel enters into the eye, clean the eye with fresh water. If your eye remains still irritated, consult your doctor.

Storage Period of Fuel

Fuel should be used up within a period of 4 weeks, even if it is kept in a special container in a well-ventilated shade. If a special container is not used or if the container is not covered, fuel may deteriorate in one day.

STORAGE OF MACHINE AND REFILL TANK

- Keep the machine and tank at a cool place free from direct sunshine.
- Never keep the fuel in the cabin or trunk.

Fuel

The engine is a four-stroke engine. Be sure to use an automobile gasoline (regular gasoline or premium gasoline).

Points for Fuel

- Never use a gasoline mixture which contains engine oil. Otherwise, it will cause excessive carbon accumulation or mechanical troubles.
- Use of deteriorated oil will cause irregular startup.

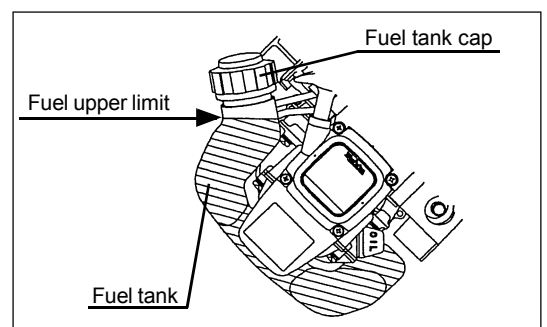
Refueling

WARNING: INFLAMMABLES STRICTLY PROHIBITED

Gasoline used: Automobile gasoline (unleaded gasoline)

- Loosen the tank cap a little so that there will be no difference in atmospheric pressure.
- Detach the tank cap, and refuel, discharging air by tilting the fuel tank so that the refuel port will be oriented upward. (Never refill fuel full to the oil refill port.)
- Wipe well the periphery of the tank cap to prevent foreign matter from entering into the fuel tank.
- After refueling, securely tighten the tank cap.

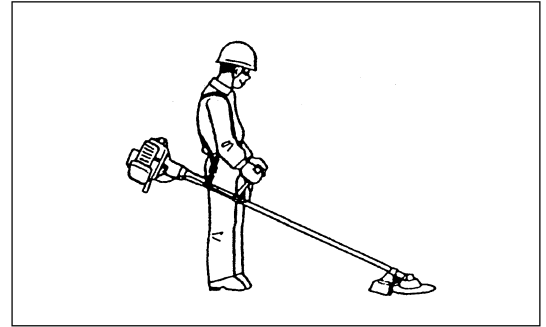
If there is any flaw or damage on the tank cap, replace it.
The tank cap is consumable, and therefore should be renewed every two to three years.



CORRECT HANDLING OF MACHINE

Attachment of shoulder strap

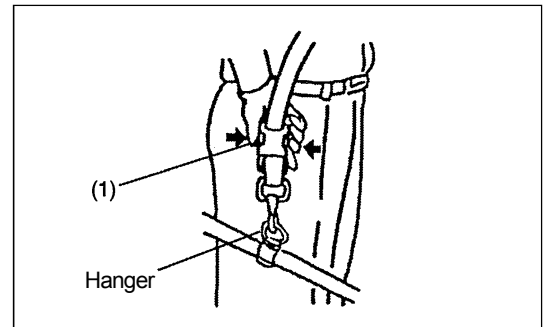
– Adjust the strap length so that the cutter blade will be kept parallel with the ground.



Detachment

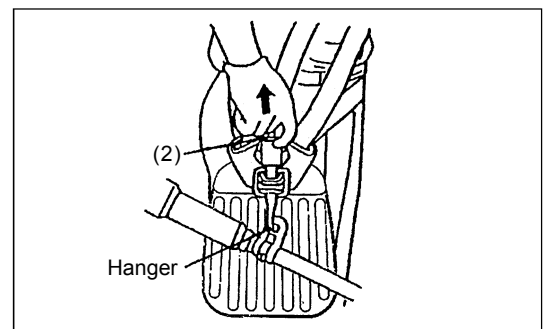
For MS-251.4

– In an emergency, push the notches (1) at both sides, and you can detach the machine from you.
Be extremely careful to maintain control of the machine at this time. Do not allow the machine to be deflected toward you or anyone in the work vicinity.
WARNING: Failure to maintain complete control of the machine at all could result in serious bodily injury or DEATH.



For MS-250.4

– In case of emergency, remove the emergency detachment lever (2) by pulling strongly with a finger. The machine will detach from body.
Be extremely careful to maintain control of the machine at this time. Do not allow the machine to be deflected toward you or anyone in the work vicinity.
WARNING: Failure to maintain complete control of the machine at all could result in serious bodily injury or DEATH.



POINTS IN OPERATION AND HOW TO STOP

Observe the applicable accident prevention regulations!

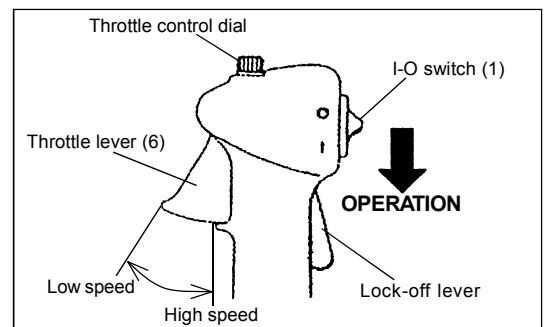
STARTING

Move at least 3m away from the place of refuelling. Place the brush cutter on a clean piece of ground taking care that the cutting tool does not come into contact with the ground or any other objects.



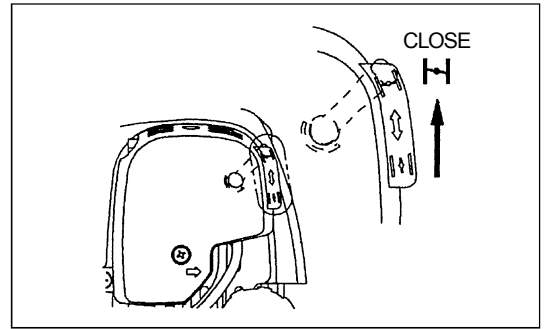
A: Cold start

1) Set this machine on a flat space.

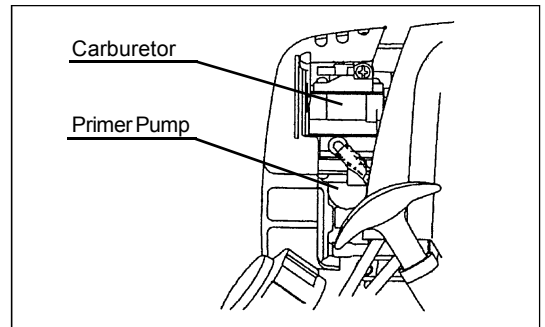


For machine with U Handle or Loop Handle

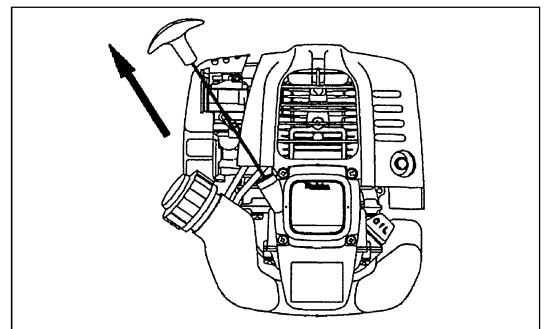
- 1) Set the I-O switch (1) to OPERATION.
- 2) Choke lever
Close the choke lever.
Choke opening:
 - Full closing in cold or when the engine is cold.
 - Full or half opening in restart just after stop of operation.



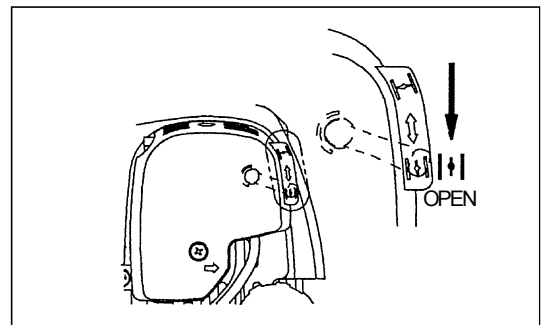
- 3) Primer pump
Continue to push the primer pump until fuel enters into the primer pump. (In general, fuel enters into the primer pump by 7 to 10 pushes.)
If the primer pump is pushed excessively, an excess of gasoline returns to the fuel tank.



- 4) Recoil starter
 - Pull the start knob gently until it is hard to pull (compression point). Then, return the start knob, and pull it strongly.
 - Never pull the rope to the full. Once the start knob is pulled, never release your hand immediately. Hold the start knob until it returns to its original point.



- 5) Choke lever
When the engine starts, open the choke lever.
 - Open the choke lever progressively while checking the engine operation. Be sure to open the choke lever to the full in the end.
 - In cold or when the engine is cooled down, never open the choke lever suddenly. Otherwise, the engine may stop.



- 6) Warm-up operation
Continue warm-up operation for 2 to 3 minutes.

Note: – If the starter handle is pulled repeatedly when the choke lever remains at “START” position, the engine will not start easily due to excessive fuel intake.
– In case of excessive fuel intake, remove the spark plug and pull the starter handle slowly to remove excess fuel. Also, dry the electrode section of the spark plug.

Caution during operation:

If the throttle lever is opened fully in a no-load operation, the engine rotation is increased to 10,000/min or more. Never operate the engine at a higher speed than required and at an approximate speed of 6,000 - 8,500/min.

B: Startup after warm-up operation

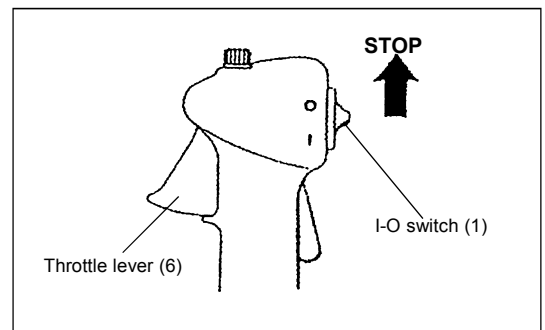
- 1) Push the primer pump repeatedly.
- 2) Keep the throttle lever at the idling position.
- 3) Pull the recoil starter strongly.
- 4) If it is difficult to start the engine, open the throttle by about 1/3.
Pay attention to the cutter blade which may rotate.

Attention in Operation

When the engine is operated upside down, white smoke may come out from the muffler.

STOPPING

- 1) Release the throttle lever (6) fully, and when the engine rpm has lowered, set the I-O switch to STOP the engine will now stop.
- 2) Be aware that the cutting head may not stop immediately and allow it to slow down fully.

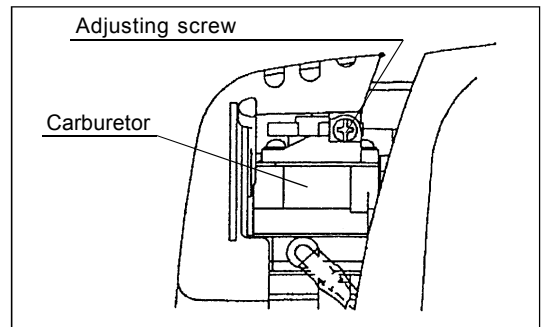


ADJUSTMENT OF LOW-SPEED ROTATION (IDLING)

When it is necessary to adjust the low-speed rotation (idling), perform it by the carburetor adjusting screw.

CHECKUP OF LOW-SPEED ROTATION

- Set the low-speed rotation to 3000/min.
If it is necessary to change the rotation speed, regulate the adjusting screw (illustrated on the left), with Phillips screwdriver.
- Turn the adjusting screw to the right, and the engine rotation will increase.
Turn the adjusting screw to the left, and the engine rotation will drop.
- The carburetor is generally adjusted before shipment. If it is necessary to readjust it, please contact Authorized Service Agent.

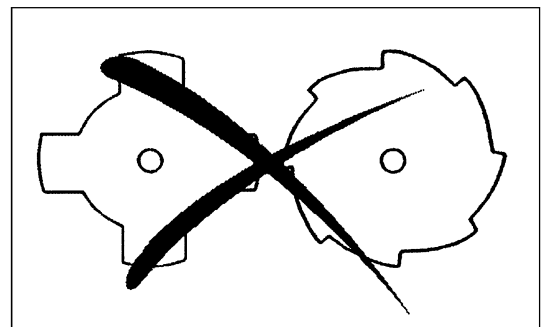


RESHARPENING THE CUTTING TOOL

CAUTION: The cutting tools mentioned below must only be resharpened by an authorized facility. Manual resharpening will result in imbalances of the cutting tool causing vibrations and damage to the equipment.

- cutter blade (star blade (4 teeth), eddy blade (8 teeth))
An expert resharpening and balancing service is provided by Authorized Service Agents.

NOTE: To increase the service life of the cutter blade (star blade, eddy blade) it may be turned over once, until both cutting edges have become blunt.



NYLON CUTTING HEAD

The nylon cutting head is a dual string trimmer head capable of both automatic and bump & feed mechanisms. The nylon cutting head will automatically feed out the proper length of nylon cord by the changes in centrifugal force caused by increasing or decreasing rpms. However, to cut soft grass more efficiently, bump the nylon cutting head against the ground to feed out extra cord as indicated under operation section.

Operation

- Increase the nylon cutting head speed to approx. 6,000/min. Low speed (under 4,800/min) is not suitable, the nylon cord will not feed out properly at low speed.
- The most effective cutting area is shown by the shaded area.

- If the nylon cord does not feed out automatically proceed as follows:
1. Release the throttle lever to run the engine idle and then squeeze the throttle lever fully. Repeat this procedure until the nylon cord feeds out to the proper length.
 2. If the nylon cord is too short to feed out automatically with the above procedure, bump the knob of the nylon cutting head against the ground to feed out the nylon cord.
 3. If the nylon cord does not feed out with procedure 2, rewind/replace the nylon cord by following the procedures described under "Replacing the nylon cord".

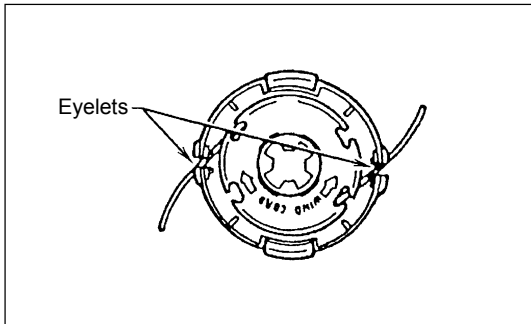
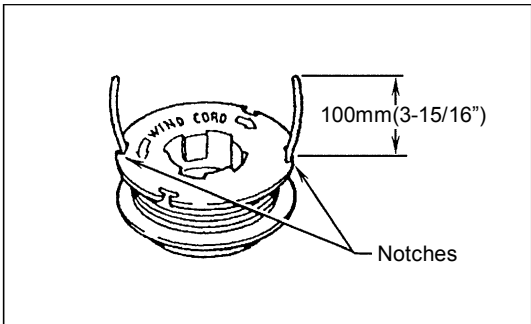
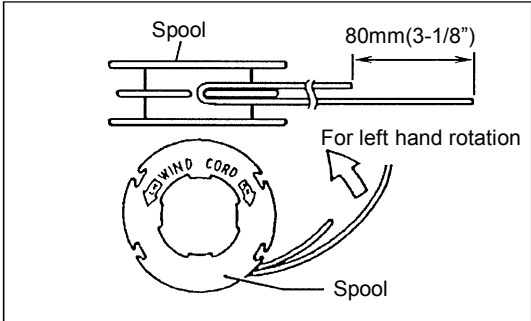
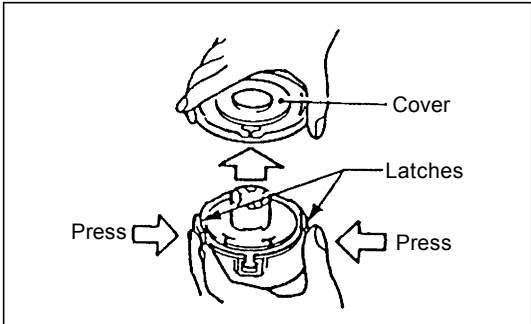
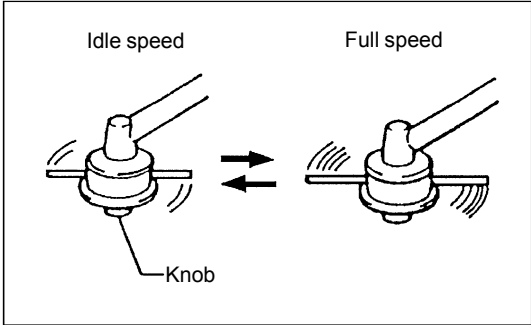
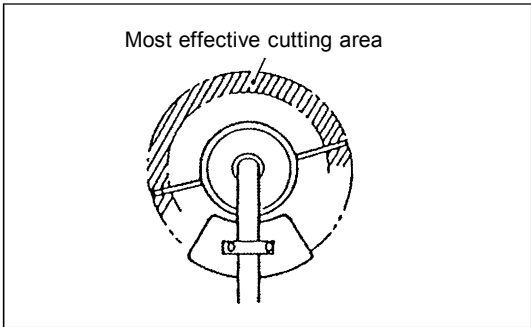
Replacing the nylon cord

- First, stop the engine.
- Press on the housing latches inward to lift off the cover, then remove the spool.

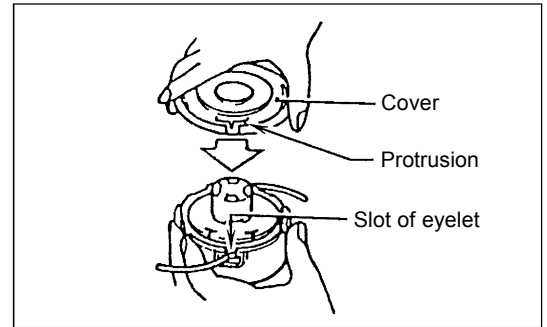
- Hook the center of new nylon cord into the notch in the center of the spool, with one end of the cord extending about 80mm (3-1/8") more than the other. Then wind both ends firmly around the spool in the direction of the head rotation (left-hand direction indicated by LH and right-hand direction by RH on the side of the spool).

- Wind all but about 100mm (3-15/16") of the cords, leaving the ends temporarily hooked through a notch on the side of the spool.

- Mount the spool in the housing so that the grooves and protrusions on the spool match up with those in the housing. Keep the side with letters on the spool visible on the top. Now, unhook the ends of the cord from their temporary position and feed the cords through the eyelets to come out of the housing.



- Align the protrusion on the underside of the cover with the slots of the eyelets.
Then push cover firmly onto the housing to secure it.



SERVICING INSTRUCTIONS

CAUTION: Before doing any work on the Brush cutter/String trimmer, always stop the engine and pull the plug cap off the spark plug (see “checking the spark plug”).
Always wear protective gloves!

To ensure a long service life and to avoid any damage to the equipment, the following servicing operations should be performed at regular intervals.

Daily checkup and maintenance

- Before operation, check the machine for loose screws or missing parts. Pay particular attention to the tightness of the cutter blade or nylon cutting head.
- Before operation, always check for clogging of the cooling air passage and the cylinder fins.
Clean them if necessary.
- Perform the following work daily after use:
 - Clean the Brush cutter/String trimmer externally and inspect for damage.
 - Clean the air filter. When working under extremely dusty conditions, clean the filter the several times a day.
 - Check the blade or the nylon cutting head for damage and make sure it is firmly mounted.
 - Check that there is sufficient difference between idling and engagement speed to ensure that the cutting tool is at a standstill while the engine is idling (if necessary reduce idling speed).
If under idling conditions the tool should still continue to run, consult your nearest Authorized Service Agent.
- Check the functioning of the I-O switch, the lock-off lever, the control lever, and the lock button.

REPLACEMENT OF ENGINE OIL

Deteriorated engine oil will shorten the life of the sliding and rotating parts to a great extent. Be sure to check the period and quantity of replacement.



ATTENTION : In general, the engine main unit and engine oil still remain hot just after the engine is stopped. In replacement of oil, confirm that the engine main unit and engine oil are sufficiently cooled down. Otherwise, there may remain a risk of scald.

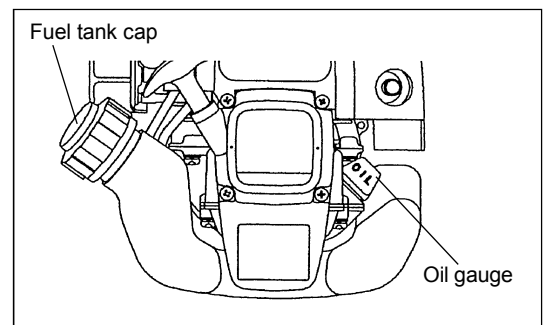
Note: If the oil filled above the limit, it may be contaminated or may catch fire with white smoke.

Interval of replacement : Initially, every 20 operating hours, and subsequently every 50 operating hours

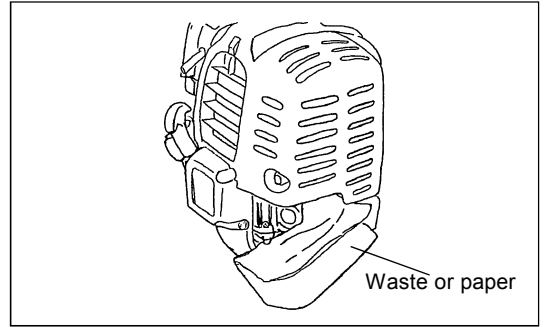
Recommended oil : SAE10W-30 oil of API Classification SF Class or higher (4-stroke engine oil for automobile)

In replacement, perform the following procedure.

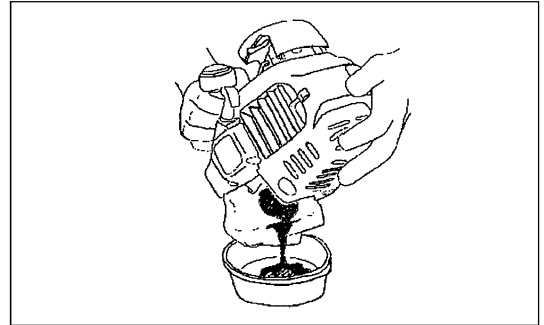
- 1) Confirm that the tank cap is tightened securely.
- 2) Detach the oil gauge.
Keep the oil gauge free from dust or dirt.



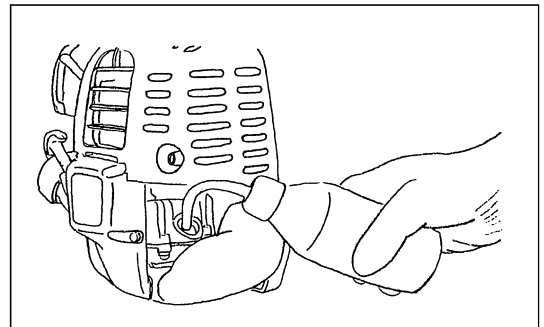
3) Place waste or paper near the oil refill port.



4) Detach the oil gauge, and drain oil, tilting the main unit toward the oil refill port.
Drain oil in a container.



5) Keep the engine level, and feed new oil up to the edge of the oil refill port.
In refill, use a lubricant refill container.
6) After refill, securely tighten the oil gauge. Insufficient tightening of the oil gauge will lead to oil leakage.



POINTS ON OIL

- Never discard replaced engine oil in garbage, earth or sewage ditch. Disposal of oil is regulated by law. In disposal, always follow the relevant laws and regulations. For any points remaining unknown, contact Authorized Service Agent.
- Oil will deteriorate even when it is kept unused. Perform inspection and replacement at regular intervals (replace with new oil every 6 months).

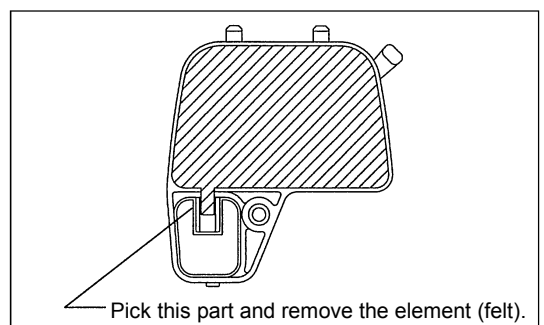
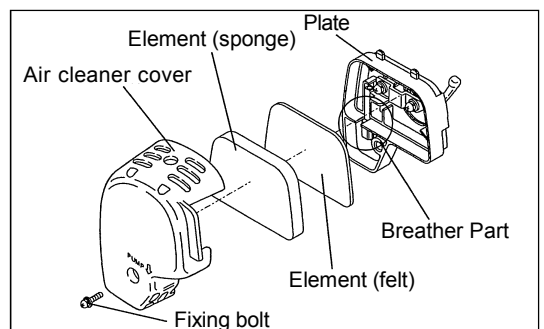
CLEANING OF AIR CLEANER



DANGER: INFLAMMABLES STRICTLY PROHIBITED

Interval of Cleaning and Inspection: Daily (every 10 operating hours)

- Turn the choke lever to the full close side, and keep the carburetor off from dust or dirt.
- Remove the air cleaner cover-fixing bolts.
- Pull the cover lower side and detach the air cleaner cover.
- If oil adheres to the element (sponge), squeeze it firmly.
- For heavy contamination:
 - 1) Remove the element (sponge), immerse it in warm water or in water-diluted neutral detergent, and dry it completely.
 - 2) Clean the element (felt) with gasoline, and dry it completely.
- Before attaching the element, be sure to dry it completely. Insufficient drying of the element may lead to difficult startup.
- Wipe out with waste cloth, oil adhering around the air cleaner cover and plate breather.
- Immediately after cleaning is finished, attach the cleaner cover and tighten it with fixing bolts. (In remounting, first place the upper claw, and then the lower claw.)



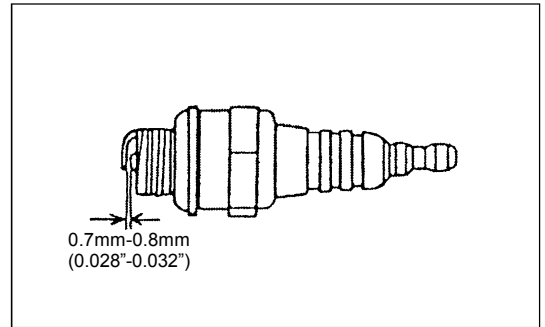
Points in Handling Air Cleaner Element

- Clean the element several times a day, if excessive dust adheres to it.
- If operation continues with the element remaining not cleared of oil, oil in the air cleaner may fall outside, resulting in oil contamination.

CHECKING THE SPARK PLUG

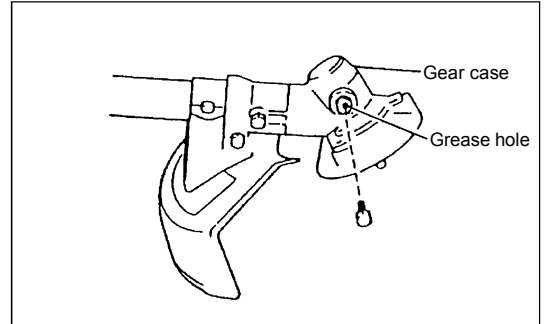
- Only use the supplied universal wrench to remove or to install the spark plug.
- The gap between the two electrodes of the spark plug should be 0.7-0.8mm (0.028"-0.032"). If the gap is too wide or too narrow, adjust it. If the spark plug is clogged with carbon or fouled, clean it thoroughly or replace it.

CAUTION: Never touch the spark plug connector while the engine is running (danger of high voltage electric shock).



SUPPLY OF GREASE TO GEAR CASE

- Supply grease (Shell Alvania 2 or equivalent) to the gear case through the grease hole every 30 hours. (Genuine DOLMAR grease may be purchased from your DOLMAR dealer.)



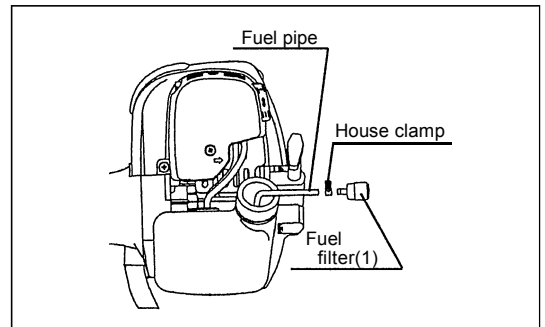
CLEANING OF FUEL FILTER

WARNING: INFLAMMABLES STRICTLY PROHIBITED

Interval of Cleaning and Inspection: Monthly (every 50 operating hours)

Suction head in the fuel tank

- The fuel filler (1) of the suction head is used to fill the fuel required by the carburetor.
- A periodical visual inspection of the fuel filter is to be conducted. For that purpose open the tank cap, use a wire hook and pull out the suction head through the tank opening. Filters found to have hardened, been polluted or clogged up are to be replaced.
- Insufficient fuel supply can result in the admissible maximum speed being exceeded. It is therefore important to replace the fuel filter at least quarterly to ensure satisfactory fuel supply to the carburetor.

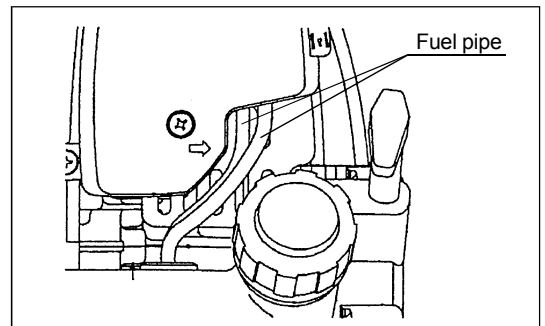


REPLACEMENT OF FUEL PIPE

CAUTION: INFLAMMABLES STRICTLY PROHIBITED

Interval of Cleaning and Inspection: Daily (every 10 operating hours)
Replacement: Annually (every 200 operating hours)

Replace the fuel pipe every year, regardless of operating frequency. Fuel leakage may lead to fire.
If any leakage is detected during inspection, replace the oil pipe immediately.



INSPECTION OF BOLTS, NUTS AND SCREWS

- Retighten loose bolts, nuts, etc.
- Check for fuel and oil leakage.
- Replace damaged parts with new ones for safety operation.

CLEANING OF PARTS

- Keep the engine always clean.
- Keep the cylinder fins free of dust or dirt. Dust or dirt adhering to the fins will cause seizure.

REPLACEMENT OF GASKETS AND PACKINGS

In reassembling after the engine is dismantled, be sure to replace the gaskets and packings with new ones.
Any maintenance of adjustment work that is not included and described in this manual is only to be performed by Authorized Service Agents.

STORAGE



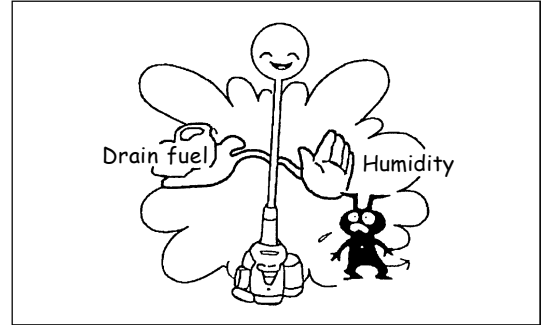
WARNING: When draining the fuel, be sure to stop the engine and confirm that the engine cools down.

Just after stopping the engine, it may still hot with possibility of burns, inflammability and fire.



ATTENTION: When the machine is kept out of operation for a long time, drain up all fuel from the fuel tank and carburetor, and keep it at a dry and clean place.

- Drain up fuel from the fuel tank and carburetor according to the following procedure:
 - 1) Remove the fuel tank cap, and drain fuel completely.
If there is any foreign matter remaining in the fuel tank, remove it completely.
 - 2) Pull out the fuel filter from the refill port using a wire.
 - 3) Push the primer pump until fuel is drained from there, and drain fuel coming into the fuel tank.
 - 4) Reset the filter to the fuel tank, and securely tighten the fuel tank cap.
 - 5) Then, continue to operate the engine until it stops.
- Remove the spark plug, and drip several drops of engine oil through the spark plug hole.
- Gently pull the starter handle so that engine oil will spread over the engine, and attach the spark plug.
- Attach the cover to the cutter blade.
- During storage, keep the rod horizontal or keep the machine upright with the blade edge oriented upward. (In this case, pay full attention to prevent the machine from falling.)
Never store the machine with the cutter blade edge oriented downward.
Lubricating oil may spill out.
- Keep the drained fuel in a special container in a well-ventilated shade.



Attention after long-time storage

- Before startup after long-time shutdown, be sure to replace oil (refer to P 17). Oil will deteriorate while the machine is kept out of operation.

Fault location

Fault	System	Observation	Cause
Engine not starting or with difficulty	Ignition system	Ignition spark O.K.	Fault in fuel supply or compression system, mechanical defect
		No ignition spark	STOP-switch operated, wiring fault or short circuit, spark plug or connector defective, ignition module faulty
	Fuel supply	Fuel tank filled	Incorrect choke position, carburetor defective, fuel supply line bent or blocked, fuel dirty.
	Compression	No compression when pulled over	Cylinder bottom gasket defective, crankshaft seals damaged, cylinder or piston rings defective or improper sealing of spark plug
Warm start problems	Mechanical fault	Starter not engaging	Broken starter spring, broken parts inside of the engine
		Tank filled ignition spark existing	Carburetor contaminated, have it cleaned
Engine starts but dies	Fuel supply	Tank filled	Incorrect idling adjustment, carburetor contaminated Fuel tank vent defective, fuel supply line interrupted, cable or STOP-switch faulty
Insufficient performance	Several systems may simultaneously be affected	Engine idling poor	Air filter contaminated, carburetor contaminated, muffler clogged, exhaust duct in the cylinder clogged

Item	Operating time	Before	After	Daily	30h	50h	200h	Shutdown	Corres-ponding P
		operation	lubrication	(10h)				/rest	
Engine oil	Inspect/clean								11
	Replace					*1			17
Tightening parts (bolt, nut)	Inspect								19
Fuel tank	Clean/inspect								
	Drain fuel							*3	20
Throttle lever	Check function								13
Stop switch	Check function								13
Cutting blade	Inspect								9
Low-speed rotation	Inspect/adjust								15
Air cleaner	Clean								18
Ignition plug	Inspect								19
Cooling air duct	Clean/inspect								19
Fuel pipe	Inspect								19
	Replace						*2		
Gear-case grease	Refill								19
Fuel filter	Clean/replace								19
Clearance between air intake valve and air discharge valve	Adjust						*2		
Engine overhaul							*2		
Carburetor	Drain fuel							*3	20

*1 Perform initial replacement after 20h operation.

*2 For the 200 operating hour inspection, request Authorized Service Agent or a machine shop.

*3 After emptying the fuel tank, continue to run the engine and drain fuel in the carburetor.

TROUBLESHOOTING

Before making a request for repairs, check a trouble for yourself. If any abnormality is found, control your machine according to the description of this manual. Never tamper or dismount any part contrary to the description. For repairs, contact Authorized Service Agent or local dealership.

State of abnormality	Probable cause (malfunction)	Remedy
Engine does not start	Failure to operate primer pump	Push 7 to 10 times.
	Low pulling speed of starter rope	Pull strongly.
	Lack of fuel	Feed fuel.
	Clogged fuel filter	Clean
	Broken fuel tube	Straighten fuel tube
	Deteriorated fuel	Deteriorated fuel makes starting more difficult. Replace with new one. (Recommended replacement: 1 month)
	Excessive suction of fuel	Set throttle lever from medium speed to high speed, and pull starter handle until engine starts. Once engine starts, cutter blade starts rotating. Pay full attention to cutter blade. If engine will not start still, remove spark plug, make electrode dry, and reassemble them as they originally are. Then, start as specified.
	Detached plug cap	Attach securely
	Contaminated spark plug	Clean
	Abnormal clearance of spark plug	Adjust clearance
	Other abnormality of spark plug	Replace
	Abnormal carburetor	Make request for inspection and maintenance.
	Starter rope cannot be pulled	Make request for inspection and maintenance
	Abnormal drive system	Make request for inspection and maintenance
Engine stops soon Engine speed does not increase	Insufficient warm-up	Perform warm-up operation
	Choke lever is set to "CLOSE" although engine is warmed up	Set to "CLOSE"
	Clogged fuel filter	Clean
	Contaminated or clogged air cleaner	Clean
	Abnormal carburetor	Make request for inspection and maintenance
	Abnormal drive system	Make request for inspection and maintenance
Cutter blade does not rotate ↓ Stop engine immediately	Loosened cutter blade-tightening nut	Tighten securely
	Twigs caught by cutter blade or dispersion-preventing cover	Remove foreign matter
	Abnormal drive system	Make request for inspection and maintenance.
Main unit vibrates abnormally. ↓ Stop engine immediately	Broken, bent or worn cutter blade	Replace cutter blade
	Loosened cutter blade-tightening nut	Tighten securely
	Shifted convex part of cutter blade and cutter blade support fitting	Attach securely
	Abnormal drive system	Make request for inspection and maintenance
Cutter blade does not stop immediately. ↓ Stop engine immediately	High idling rotation	Adjust
	Detached throttle wire	Attach securely
	Abnormal drive system	Make request for inspection and maintenance
Engine does not stop. ↓ Run engine at idling, and set choke lever to CLOSE.	Detached connector	Attach securely
	Abnormal electric system	Make request for inspection and maintenance.

When the engine does not start after warm-up operation:
If there is no abnormality found for the check items, open the throttle by about 1/3 and start the engine.

EMISSION COMPLIANCE PERIOD

For handheld engine : The Emissions

Compliance Period referred to on the Emissions

Compliance label indicates the number of operating hours for which the engine has been shown to meet Federal emission requirements.

Category C=50 hours, B=125 hours, and A=300 hours.

AIR INDEX

An Air Index Information hang tag was supplied to this engine in accordance with the emission regulations of the California Air Resources Board.

The bar graph on the hang tag shows the emissions performance of this engine. The bar graph can be used to compare the emissions performance with other available engine. The lower the Air Index, the less pollution.

The following durability description is to provide you with information relating to the emission durability period of the engine.

<u>Descriptive Term</u>		<u>Applicable to Emissions Durability Period</u>
Moderate	-	50hours (0-65 cc)
Intermediate	-	125hours (0-65cc)
Extended	-	300hours (0-65cc)

Notice : The Air Index Information hang tag must remain on the engine or on the equipment until it is sold to the ultimate purchaser. Remove the hang tag before operating the engine.

CALIFORNIA EMISSION CONTROL WARRANTY STATEMENT YOUR WARRANTY RIGHTS AND OBLIGATIONS

The California Air Resources Board and Makita U.S.A., Inc. are pleased to explain the emission control system warranty on your 2000 and later Small Off-Road engine (herein "engine"). In California, the engine must be designed, built and equipped to meet the State's stringent anti-smog standards Makita U.S.A., Inc. must warrant the emission control system on your engine for the periods of time described below, provided there has been no abuse, neglect or improper maintenance of your engine. Your emission control system includes parts such as the carburetor and the ignition system. Also included may be hoses, connectors and other emission-related assemblies. Where a warrantable condition exists, Makita U.S.A., Inc. will repair your engine at no cost to you including diagnosis, parts and labor.

MANUFACTURER'S WARRANTY COVERAGE:

The 2000 and later engines are warranted for two (2) years. If any emission-related part on your engine is defective, the part will be repaired or replaced by Makita U.S.A., Inc.

OWNER'S WARRANTY RESPONSIBILITIES:

- As the engine owner, you are responsible for the performance of the required maintenance listed in your Owner's Manual. Makita U.S.A., Inc. recommends that you retain all receipts covering maintenance on your engine, but Makita U.S.A., Inc. cannot deny warranty solely for the lack of receipts or for your failure to ensure the performance of all scheduled maintenance.
- As the engine owner, you should however be aware that Makita U.S.A., Inc. may deny you warranty coverage if your engine or a part has failed due to abuse, neglect, improper maintenance or unapproved modifications.
- You are responsible for presenting your engine manufactured by Makita U.S.A., Inc. to a dealer, distributor or warranty station authorized by Makita Factory Service Center which is the U.S. importer and/or OEM of the Small Off-Road/engine as soon as a problem exists. The warranty repairs should be completed in a reasonable amount of time, not to exceed 30 days.

If you have any questions regarding your warranty rights and responsibilities, you should contact Makita Factory Service Center nearest you.

Makita Factory Service Center

Address	Phone NO.
14930 Northam Street La Mirada, CA 90638-5753	(714) 522-8088
41850 Christy Street Fremont, CA 94538-5107	(510) 657-9881
1421N. Clovis Ave., Ste. 112 Fresno, CA 93727	(209) 252-5166
4554 Roseville Rd., Ste E North Highlands, CA 95660	(916) 331-6211
392 S. Arrowhead Ave., #A-1 San Bernardino, CA 92408	(909) 885-1289
7674 Clairemont Mesa Blvd. San Diego, CA 92111	(619) 278-4471
333 Littlefield Ave. S. San Francisco, CA 64080	(415) 875-1002
1714 E McFadden Ave., Unit M Santa Ana, CA 92705	(714) 667-5066
16735 Saticoy St., Ste. 105 Van Nuys, CA 91406	(818) 782-2440

LIMITED WARRANTY on Emission Control Systems
- California Only -

Makita U.S.A., Inc., a distributor of Small Off-Road Engine in the U.S. warrant to the owner of the 2000 and later engine that the engine (1) has been designed, built and equipped so as to conform at the time of manufacture with the applicable regulations of the California Air Resources Board, and (2) is free from defects in materials and workmanship which cause it to fail to conform with those regulations as may be applicable in the terms and conditions stated below;

A. WARRANTY COMMENCEMENT DATE

The warranty period begins on the date the engine is delivered to a first retail purchaser.

B. LENGTH OF COVERAGE

Makita U.S.A., Inc. warrants to a first retail purchaser and each subsequent purchaser that the engine is free from defects in materials and workmanship which cause the failure of a warranted emission-related part for a period of two (2) years after the date of delivery to the first retail purchaser.

C. WHAT IS COVERED:

1. REPAIR OR REPLACEMENT PARTS

Repairs and replacement of any warranted part will be performed at no charge to you by an authorized dealer, distributor or a warranty station. You may contact Makita Factory Service Center which is the U.S. importer/OEM of the Small Off-Road /engine manufactured by Makita U.S.A., Inc. to get the nearest appropriate location where your warranty repairs are performed.

2. WARRANTY PERIOD

This warranty continues for a period of two (2) years and shall apply only to the repair, replacement or adjustment of the component parts which are not scheduled for replacement as required maintenance. Further component parts or which are scheduled only for regular inspection to the effect of "repair or replace as necessary" shall be warranted for the warranty period. Any warranted part which is scheduled for replacement as required maintenance shall be warranted for the period of time up to the first scheduled replacement point for that part.

3. DIAGNOSIS

You shall not be charged for diagnostic labor, which leads to the determination that a warranted part is defective, if the diagnostic work is performed at an authorized dealer, distributor or warranty station.

4. CONSEQUENTIAL DAMAGES

If a warranted part failed causing damages to other engine components, consult a warranty station.

D. WHAT IS NOT COVERED

1. This limited warranty does not cover any part which malfunctions, fails or is damaged due to failure to follow the maintenance and operating instructions set forth in the 2000 and later Owner's Manual including:

- (1) improper or inadequate maintenance of any warranted parts
- (2) improper installation, adjustment or repair of the engine or of any warranted part unless performed by an authorized dealer
- (3) failure to follow recommendations on fuel use contained in the 2000 and later Owner's Manual
- (4) repairs performed outside of the authorized warranty service facility
- (5) use of parts, which are not authorized by Makita U.S.A., Inc..

2. Add-on or modified parts

This warranty does not cover any part which malfunctions, fails or is damaged due to alterations by changing, adding to or removing parts from the engine.

3. Expenses incurred by processing warranty claims

Makita Factory Service Center, any authorized dealer, distributors and warranty station shall not be liable for any loss of use of the engine, for any alternative usage, for any damage to goods, loss of time or inconvenience.

E. HOW TO FILE A CLAIM

All repairs qualifying under this Limited Warranty must be performed by a dealer who sold you the engine or distributors or warranty stations authorized by Makita Factory Service Center. In the event that any emission-related part is found to be defective during the warranty period, you shall notify Makita Factory Service Center and you will be given the appropriate warranty service facilities where the warranty repair is performed.

F. WHERE TO GET WARRANTY SERVICE

It is recommended that warranty service be performed by the authorized dealer, who sold you the engine, although warranty service will be performed by any authorized dealers, distributors and warranty stations anywhere in the United States. When warranty repair is needed, the engine must be brought to an authorized dealer, distributorship or warranty station's place of business during normal business hours. In all cases, a reasonable time, not to exceed 30 days, must be allowed for the warranty repair to be completed after the engine is received by the authorized dealer, distributor or service station.

G. MAINTENANCE, REPLACEMENT AND REPAIR OF EMISSION-RELATED PARTS

Only warranted engine replacement parts approved by Makita U.S.A., Inc. should be used in the performance of any warranty maintenance or repairs on emission-related parts. If other than authorized parts are used for maintenance, replacement or repair of components affecting emission control, you should assure yourself that such parts are warranted by their manufacturer to be equivalent to authorized parts in performance and durability. Makita U.S.A., Inc., however, assumes no liability under this warranty with respect to parts other than authorized parts. The use of non-authorized replacement parts does not invalidate the warranty on other components unless the non-authorized parts cause damage to warranted parts.

H. PARTS COVERED UNDER THE CALIFORNIA EMISSION WARRANTY

- 1) Fuel Metering system
 - (i) Carburetor and internal parts
 - (ii) Air cleaner plate (including choke system)
 - (iii) Air cleaner cover
 - (iv) Air cleaner element
 - (v) Fuel Filter
- 2) Ignition System
 - (i) Spark plug
 - (ii) Flywheel magneto
 - (iii) Ignition coil
- 3) Miscellaneous Item Used in Above Systems
 - (i) Hoses and sealing gaskets, bolts, connectors, and assemblies.

I. MAINTENANCE STATEMENTS

It is your responsibility to have all scheduled inspection and maintenance service performed at the times recommended in the 2000 and later Owner's Manual and to retain proof that inspection and maintenance service are performed at the times when recommended. Makita U.S.A., Inc. will not deny a warranty claim solely because you have no record of maintenance; however, Makita U.S.A., Inc. may deny a warranty claim if your failure to perform required maintenance resulted in the failure of warranted part. The proof, which you maintain, should be given to each subsequent owner of the engine. You are responsible for performing the scheduled maintenance described below based on the procedures specified in the 2000 and later Owner's Manual. The scheduled maintenance below is based on the normal engine-operating schedule.

PROCEDURE	INTERVAL
1) Clean engine and check bolts and nuts. Retighten if necessary.	:Every 8 hours (daily)
2) Check and refill engine oil (4stroke)	:Every 8 hours (refill daily up to upper limit)
3) Change engine oil (4stroke)	:Initial 20 hours and every 50 hours afterward
4) Check clogging of cooling air passage and cylinder fins. Remove and clean if necessary.	:Every 8 hours (daily)
5) Clean air cleaner.	:Every 8 hours (daily)
6) Check spark plug. Clean and adjust if necessary.	:Every 8 hours (daily)
7) Check muffler exhaust outlet (or port). Clean if necessary.	:Every 50 hours (monthly)
8) Check fuel filter. If clogged, replace with new one.	:Every 50 hours (monthly)
9) Adjust valve clearance, if applicable (4stroke).	:Every 200 hours (yearly)
10) Replace fuel lines.	:Every 200 hours (yearly)
11) Overhaul engine.	:Every 200 hours (yearly)
12) Replace packings and gaskets and gaskets with new ones.	:Every reassembling

REPAIR AND REPLACEMENT OF EMISSION-RELATED PARTS

It is recommended that only engine replacement parts which have been authorized and approved by Makita U.S.A., Inc. should be used in the performance of any warranty maintenance or repairs of emission-related parts. These replacement parts will be provided at no charge if the part is still under warranty.

HOW TO FILE A WARRANTY CLAIM AND WHERE TO GET WARRANTY SERVICES

Contact the nearest Makita Factory Service Center Manager to determine the appropriate location where the required warranty services are to be performed. A list of the Factory Service Center locations and phone numbers are provided below for your convenience.

14930 Northam Street
La Mirada, CA 90638-5753
(714) 522-8088

41850 Christy Street
Fremont, CA 94538-5107
(510) 657-9881

1421N. Clovis Ave., Ste. 112
Fresno, CA 93727
(209) 252-5166

4554 Roseville Rd., Ste E
North Highlands, CA 95660
(916)331-6211

392 S. Arrowhead Ave., #A-1
San Bernardino, CA 92408
(909)885-1289

7674 Clairemont Mesa Blvd.
San Diego, CA 92111
(619) 278-4471

333 Littlefield Ave.
S. San Francisco, CA 94080
T. (415)875-1002

1714 E McFadden Ave., Unit M
Santa Ana, CA 92705
(714) 667-5066

16735 Saticoy St., Ste. 105
Van Nuys, CA 91406
(818) 782-2440

FEDERAL EMISSION COMPONENT DEFECT WARRANTY

EMISSION COMPONENT DEFECT WARRANTY COVERAGE - This emission warranty is applicable in all States, except the State of California

Makita U.S.A., Inc., La Mirada, California, (herein "MAKITA") warrant to the initial retail purchaser and each subsequent owner, that this utility equipment engine (herein "engine") was designed, built, and equipped to conform at the time of initial sale to all applicable regulations of the U.S. Environmental Protection Agency (EPA), and that the engine is free of defects in materials and workmanship which would cause this engine to fail to conform with EPA regulations during its warranty period.

For the components listed under PARTS COVERED, Makita Factory Service Center or service center authorized by Makita will, at no cost to you, make the necessary diagnosis, repair, or replacement necessary to ensure that the engine complies with applicable U.S. EPA regulations.

EMISSION COMPONENT DEFECT WARRANTY PERIOD

The warranty period for this engine begins on the date of sale to the initial purchaser and continues for a period of 2 years.

PARTS COVERED

Listed below are the parts covered by the Emission Component Defect Warranty. Some of the parts listed below may require scheduled maintenance and are warranted up to the first scheduled replacement point for that part.

- 1) Fuel Metering System
 - (i) Carburetor and internal parts
 - (ii) Fuel filter, if applicable
 - (iii) Throttle stopper, if applicable
 - (iv) Choke System, if applicable
- 2) Air Induction System
 - (i) Air cleaner plate
 - (ii) Air cleaner case
 - (iii) Air cleaner element
- 3) Ignition System
 - (i) Spark plug
 - (ii) Flywheel Magneto
 - (iii) Ignition Coil
- 4) Miscellaneous Items Used in Above Systems
 - (i) Fuel hoses, clamps and sealing gaskets

OBTAINING WARRANTY SERVICE

To obtain warranty service, take your engine to the nearest MAKITA Factory Service Center or Service Center authorized by MAKITA. Bring your sales receipts indicating date of purchase for this engine. The dealer or service center authorized by MAKITA will perform the necessary repairs or adjustments within a reasonable amount of time and furnish you with a copy of the repair order. All parts and accessories replaced under this warranty become the property of MAKITA.

WHAT IS NOT COVERED

- * Conditions resulting from tampering, misuse, improper adjustment (unless they were made by the dealer or service center authorized by MAKITA during a warranty repair), alteration, accident, failure to use the recommended fuel and oil, or not performing required maintenance services.
- * The replacement parts used for required maintenance services.
- * Consequential damages such as loss of time, inconvenience, loss of use of the engine of equipment, etc.
- * Diagnosis and inspection charges that do not result in warranty-eligible service being performed.
- * Any non-authorized replacement part, or malfunction of authorized parts due to use of non-authorized parts.

OWNER'S WARRANTY RESPONSIBILITIES

As the engine owner, you are responsible for the performance of the required maintenance listed in your owner's manual, MAKITA recommends that you retain all receipts covering maintenance on your engine, but MAKITA can not deny warranty solely for the lack of receipts or for your failure to ensure the performance of all scheduled maintenance.

As the engine owner, you should however be aware that the MAKITA may deny your warranty coverage if your engine or a part has failed due to abuse, neglect, improper maintenance or unapproved modifications.

You are responsible for presenting your engine to the nearest MAKITA Factory Service Center or service center authorized by MAKITA when a problem exists.

If you have any questions regarding your warranty rights and responsibilities, you should contact the Makita Warranty Service Department at 1-800-4-MAKITA for the information.

THINGS YOU SHOULD KNOW ABOUT THE EMISSION CONTROL SYSTEM WARRANTY

MAINTENANCE AND REPAIRS

You are responsible for the proper use and maintenance of the engine. You should keep all receipts and maintenance records covering the performance of regular maintenance in the event questions arise. These receipts and maintenance records should be transferred to each subsequent owner of the engine. MAKITA reserves the rights to deny warranty coverage if the engine has not been properly maintained. Warranty claims will not be denied, however, solely because of the lack of required maintenance or failure to keep maintenance records.

MAINTENANCE, REPLACEMENT OR REPAIR OF EMISSION CONTROL DEVICES AND SYSTEMS MAY BE PERFORMED BY ANY REPAIR ESTABLISHMENT OR INDIVIDUAL; HOWEVER, WARRANTY REPAIRS MUST BE PERFORMED BY MAKITA FACTORY SERVICE CENTER OR SERVICE CENTER AUTHORIZED BY Makita. THE USE OF PARTS THAT ARE NOT EQUIVALENT IN PERFORMANCE AND DURABILITY TO AUTHORIZED PARTS MAY IMPAIR THE EFFECTIVENESS OF THE EMISSION CONTROL SYSTEM AND MAY HAVE A BEARING ON THE OUTCOME OF WARRANTY CLAIM.

If other than the parts authorized by MAKITA are used for maintenance replacements or for the repair of components affecting emission control, you should assure yourself that such parts are warranted by their manufacturer to be equivalent to the parts authorized by MAKITA in their performance and durability.

HOW TO MAKE A CLAIM

All repairs qualifying under this limited warranty must be performed by Makita Factory Service Center or service center authorized by MAKITA. In the event that any emission-related part is found to be defective during the warranty period, you shall notify Makita Warranty Service Department at 1-800-4-MAKITA and you will be given the appropriate warranty service facilities where the warranty repair can be performed.

Nous vous remercions d'avoir fait l'acquisition de la débroussailleuse / taille-bordures DOLMAR. Nous sommes heureux de pouvoir vous conseiller la débroussailleuse / taille-bordures DOLMAR qui représente le résultat d'un long programme de développement et de plusieurs années de recherche et d'expérience.

Veuillez lire cette brochure qui fait référence en détail aux différents points témoignant de l'efficacité exceptionnelle de votre débroussailleuse DOLMAR.



Table des matières	Page
Symboles	31
Consignes de sécurité.....	32
Caractéristiques techniques.....	36
Nomenclature des pièces.....	37
Montage de la poignée.....	38
Montage du dispositif de protection.....	39
Montage de la lame de coupe ou de la tête de coupe à fil	40
Avant mise en marche	41
Manipulation correcte de la machine.....	43
Consignes de mise en marche et arrêt de la machine.....	43
Réaffûtage de l'outil de coupe.....	45
Instructions relatives aux réparations	47
Remisage.....	50

SYMBOLES

Vous rencontrerez les symboles suivants en parcourant le manuel d'instructions.

	Lire le manuel d'instructions		Porter des protections visuelles et auditives (pour la taille bordures d'herbe)
	Etre particulièrement soigneux et attentif		Porter un casque de protection, des protections visuelles et auditives (pour la débroussailleuse uniquement)
	Interdit		Ne pas utiliser de lames métalliques (Pour la taille bordures uniquement)
	Maintenir ses distances		Vitesse maximale carburant et d'huile
	Risque de projections d'objets		Carburant (Essence)
	Interdit de fumer		Démarrage manuel de la machine
	Pas de flame nue		Arrêt d'urgence
	Porter des gants de protection		Premier secours
	Rejet		Recyclage
	Maintenir toute personne et tout animal domestique à l'écart de la zone de travail		On/Démarrage
			Off/Arrêt

CONSIGNES DE SÉCURITÉ

Instructions générales

- Pour utiliser la machine correctement, l'utilisateur doit lire ce manuel d'instructions afin de se familiariser avec la manipulation de la débroussailleuse / taille-bordures. Les utilisateurs disposant d'informations insuffisantes risquent de mettre leur propre vie comme celle de tiers en danger en manipulant la machine de façon incorrecte.
- Il est conseillé de prêter la débroussailleuse / taille-bordures uniquement à des personnes ayant fait leurs preuves dans la manipulation de débroussailleuse / taille-bordures. Toujours leur remettre le manuel d'instructions.
- Les premiers utilisateurs devraient demander au concessionnaire de leur dispenser les instructions de base afin de se familiariser à la manipulation de débroussailleuse / taille-bordures thermique.
- Les enfants et les jeunes gens de moins de 18 ans ne sont pas autorisés à utiliser la débroussailleuse / taille-bordures. Cependant, les jeunes gens âgés de plus de 16 ans peuvent utiliser la machine pour s'entraîner, mais uniquement sous la surveillance d'un formateur qualifié.
- Utiliser les débroussailleuse / taille-bordures avec le plus de soin et d'attention possibles.
- Utilisez la débroussailleuse / taille-bordures uniquement si vous êtes en bonne condition physique. Procédez aux travaux avec calme et attention. L'utilisateur est responsable vis à vis des autres personnes.
- Ne jamais utiliser la débroussailleuse / taille-bordures après absorption d'alcool ou de médicaments ou si l'on se sent fatigué ou souffrant.

Utilisation spéciale de la machine

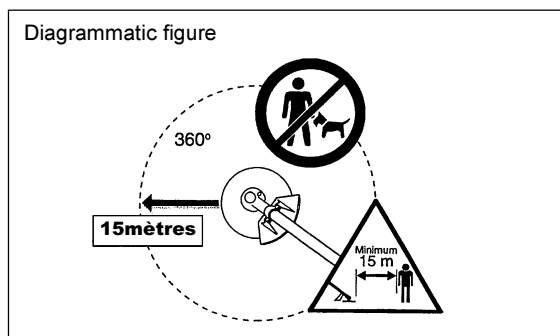
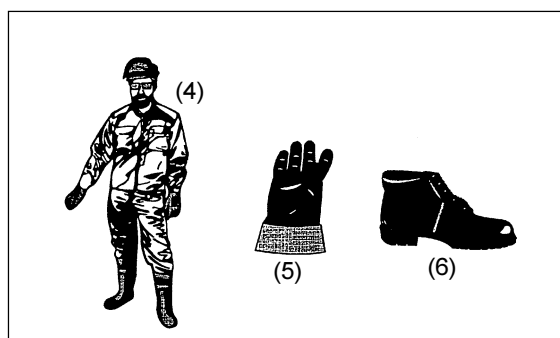
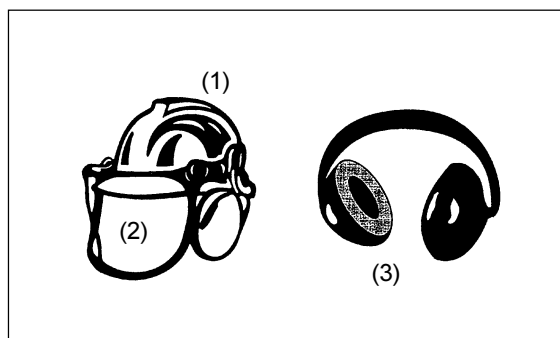
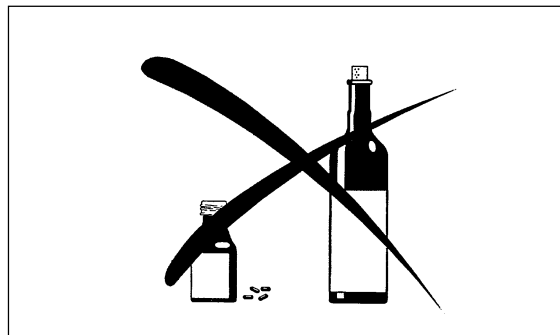
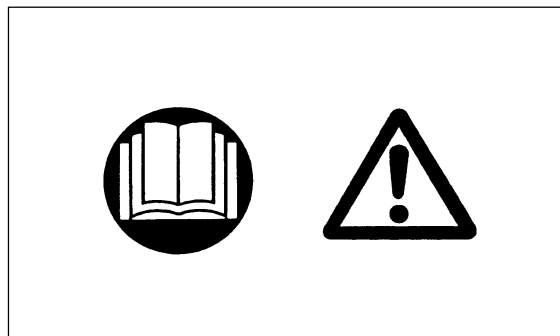
- La débroussailleuse / taille-bordures est seulement pour couper l'herbes, broussailles et en sous-bois. Ne jamais employer la machine pour les usages comprenant tailles de bordure et de haies que pouvaient causer des blessures.

Équipement personnel de protection

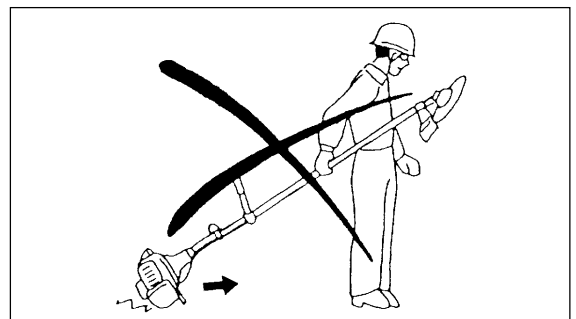
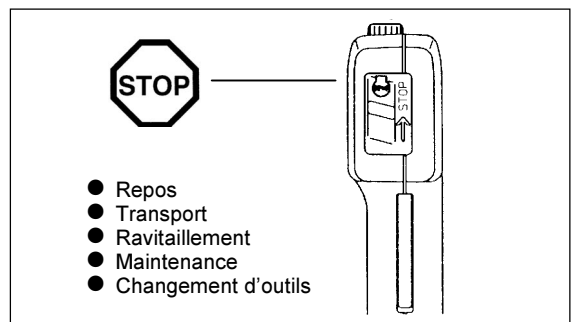
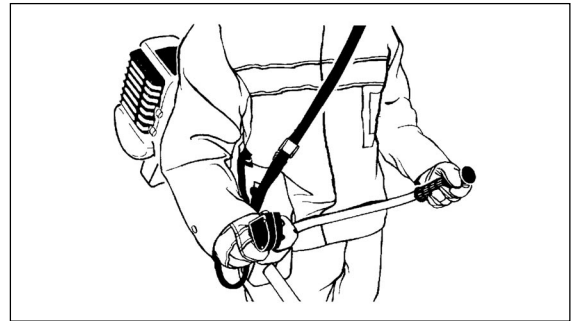
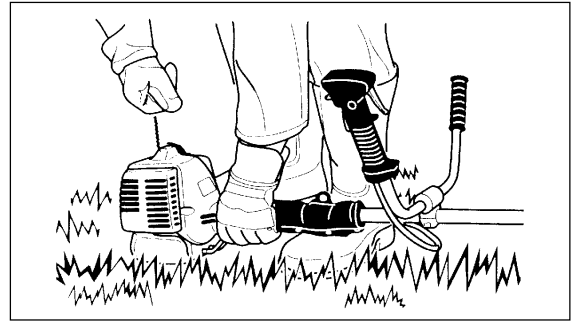
- Les habits doivent être fonctionnels et adaptés, c'est-à-dire qu'ils doivent être serrés sans toutefois entraver les mouvements. Ne pas porter de bijoux ou d'habits qui pourraient s'accrocher dans les buissons ou les broussailles.
- Porter l'équipement et les habits de protection lors de l'utilisation de la débroussailleuse / taille-bordures afin d'éviter les blessures au niveau de la tête, des yeux, des mains ou des pieds.
- Toujours porter un casque dans les endroits où les chutes d'objets sont possibles. Vérifier à intervalles réguliers si le casque de protection (1) n'est pas endommagé et le remplacer au plus tard après 5 ans. Utiliser uniquement des casques de protection réglementaires.
- La visière (2) du casque (ou les lunettes) protège le visage des débris et des pierres projetées. Toujours porter des lunettes ou une visière pour éviter les blessures au niveau des yeux lors de l'utilisation de la débroussailleuse / taille-bordures.
- Porter un équipement de protection contre le bruit approprié pour éviter une détérioration de l'ouïe (serre-tête (3), protège-tympons etc.).
- La combinaison de travail (4) protège contre les projections de débris et de pierres. Nous conseillons vivement à l'utilisateur d'en porter une.
- Des gants spéciaux (5) en cuir épais font partie de l'équipement prescrit et doivent être portés en permanence lors de l'utilisation de la débroussailleuse / taille-bordures.
- Lors de l'utilisation de la débroussailleuse / taille-bordures, toujours porter des chaussures de sécurité (6) munies d'une semelle antidérapante. Elles assurent une protection contre les blessures et un bon équilibre.

Démarrage de la débroussailleuse

- Veuillez vous assurer de l'absence d'enfants ou d'autres personnes dans un rayon de 15 mètres ainsi que d'animaux à proximité de la zone de travail.
- Avant d'utiliser la machine, toujours vérifier que la débroussailleuse / taille-bordures peut fonctionner en toute sécurité. Vérifier si l'outil de coupe est en bon état, si le levier de commande peut être actionné facilement et si le verrou du levier de commande fonctionne correctement. En cas de doute, consulter son revendeur pour les réglages. Au ralenti la tête de coupe ne doit pas tourner. Vérifier si les poignées sont propres et sèches et tester le fonctionnement de l'interrupteur de marche/arrêt.

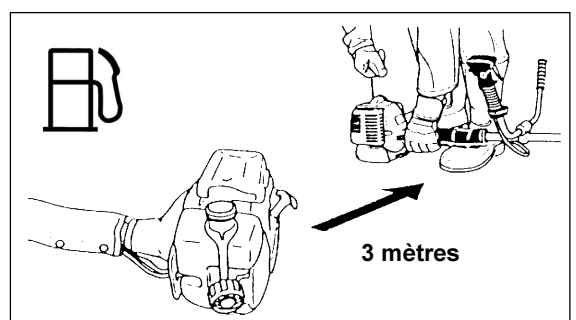
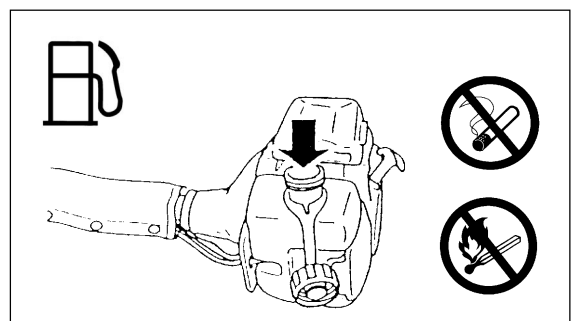


- Mettre la débroussailleuse / taille-bordures en marche en appliquant strictement les instructions.
Ne pas utiliser d'autres méthodes pour mettre la machine en marche!
- Utiliser la débroussailleuse / taille-bordures et les outils uniquement pour les applications conseillées.
- Lancer le moteur de la débroussailleuse / taille-bordures uniquement une fois le montage intégralement réalisé. Il est interdit d'utiliser la machine avant que les accessoires appropriés ne soient montés
- Avant de mettre la machine en marche, s'assurer que l'outil de coupe n'est pas en contact avec des objets durs tels que des branches ou des pierres car la lame de coupe tournera au démarrage.
- Couper immédiatement le moteur en cas ou problèmes.
- Si la lame de coupe devait heurter des pierres ou d'autres objets durs, couper immédiatement le moteur et inspecter la lame de coupe.
- Vérifier à intervalles réguliers que l'outil de coupe n'est pas endommagé (détection de fêlures en sonnant l'outil).
- Utiliser la débroussailleuse / taille-bordures uniquement lorsque le harnais est fixé sur l'épaule; ce harnais doit être ajusté correctement avant de mettre la machine en marche. Le harnais doit être ajusté en fonction de la taille de l'utilisateur afin d'éviter qu'il ne se fatigue. Ne jamais tenir la débroussailleuse / taille-bordures avec une seule main lors du fonctionnement.
- Toujours tenir la débroussailleuse / taille-bordures avec les deux mains lors du fonctionnement.
Toujours garantir une bonne stabilité.
- Utiliser la débroussailleuse / taille-bordures de manière à éviter l'inhalation de gaz d'échappement. Ne jamais utiliser la machine dans des espaces clos (risque d'intoxication au gaz). Le monoxyde de carbone est un gaz inodore.
- Coupez le moteur lors des pauses et lorsque vous laissez la débroussailleuse / taille-bordures sans surveillance et la placer dans un lieu sûr afin d'éviter de mettre la vie de tiers en danger ou d'endommager la machine.
- Ne jamais placer la débroussailleuse / taille-bordures encore chaude sur de l'herbe sèche ou sur tout autre matériau combustible.
- L'outil de coupe doit être équipé de la protection appropriée. Ne jamais utiliser la débroussailleuse / taille-bordures sans cette protection!
- Utiliser tous les dispositifs de protection fournis avec la machine.
- Ne jamais lancer la machine si le pot d'échappement est défectueux.
- Couper le moteur lors du transport.
- Toujours utiliser la protection de l'outil incluse dans l'équipement pour le transport sur de longues distances.
- S'assurer du positionnement correct de la débroussailleuse / taille-bordures afin d'éviter des fuites d'huile.
- Vérifier que le réservoir de carburant est complètement vide lors du transport de la débroussailleuse / taille-bordures.
- Lors du déchargement de la débroussailleuse/ taille-bordures ne jamais la laissez tomber sur le sol pour éviter des dommages importants sur le réservoir d'essence.
- Sauf cas d'urgence, ne jamais laisser tomber ou lancer la débroussailleuse / taille-bordures sur le sol, cela endommagera débroussailleuse / taille-bordures.
- Ne jamais trainer l'appareil pour le déplacer. Toujours le déplacer en le soulevant par le bas. Si l'appareil traîne sur le sol le réservoir à combustible peut être endommagé, le combustible risque de se renverser et provoquer un début d'incendie.



Ravitaillement

- Couper le moteur durant le ravitaillement, se tenir à l'écart des flammes et ne pas fumer.
- Éviter les contacts cutanés avec des produits à base d'huile minérale. Ne pas respirer des vapeurs de carburant. Toujours porter des gants de protection lors du ravitaillement. Changer et nettoyer les habits de protection à intervalles réguliers.
- Prendre garde à ne pas renverser du carburant ou de l'huile afin d'éviter de polluer le sol (protection de l'environnement). Nettoyer immédiatement la débroussailleuse / taille-bordures après débordement de carburant.
- Évitez tout contact entre le carburant et les habits. Si du carburant a été renversé sur vos habits, changez-en immédiatement pour éviter que les habits ne prennent feu.
- Inspecter le bouchon du réservoir à intervalles réguliers en vérifiant s'il est serré correctement et qu'il n'y a pas de fuite.
- Serrer soigneusement le bouchon du réservoir du carburant. Changer d'endroit pour lancer le moteur (au moins à trois mètres de l'emplacement de ravitaillement).
- Ne jamais procéder au ravitaillement dans des espaces clos. Les vapeurs de carburant s'accablent au niveau du sol (risque d'explosions).
- Transporter et stocker le carburant uniquement dans des containers réglementaires. S'assurer que le carburant stocké n'est pas accessible aux enfants.



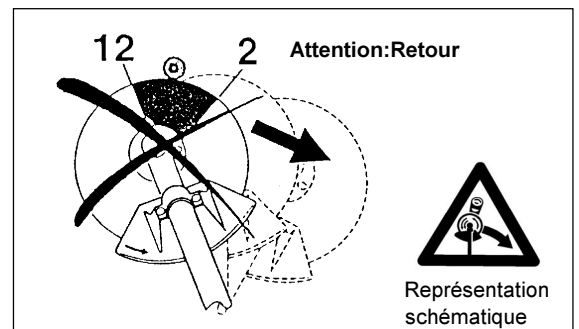
Méthode d'utilisation

- Utiliser la débroussailleuse / taille-bordures uniquement lorsque les conditions de luminosité et de visibilité sont bonnes. En hiver, être conscient des risques engendrés par le verglas, les zones humides, la glace et la neige (dérapage). Toujours garantir une bonne stabilité.
- Ne jamais couper au-dessus de la hauteur de la taille.
- Ne jamais se tenir sur une échelle en manipulant la débroussailleuse / taille-bordures.
- Ne jamais grimper dans les arbres pour procéder à des travaux de coupe avec la débroussailleuse / taille-bordures.
- Ne jamais travailler sur des surfaces instables.
- Retirer le sable, les pierres, les clous etc. trouvés à l'intérieur du rayon d'action. Les particules étrangères risquent d'endommager la lame de coupe et peuvent engendrer des projections dangereuses.
- Attendre que la lame ait atteint sa pleine vitesse de travail avant de commencer à couper.



Effet de retour

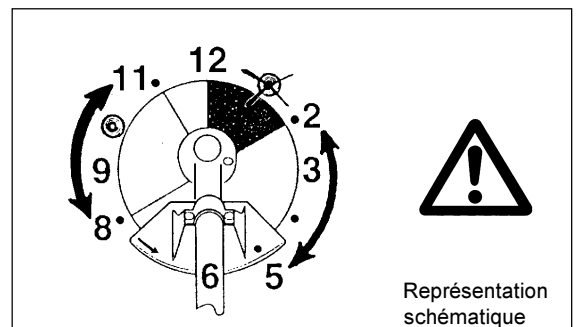
- Un retour incontrôlé peut se produire lors de l'utilisation de la débroussailleuse.
- Ce phénomène se produit en particulier lors de coupes effectuées dans l'angle de lame compris entre midi et 2 h.
- Ne jamais utiliser la débroussailleuse dans l'angle de la lame compris entre midi et 2 h
- Ne jamais utiliser un tel angle de la lame pour la coupe de matériaux solides tels buissons, arbres etc. dont le diamètre est supérieur à 3 cm car la débroussailleuse serait alors déviée avec une force importante et pourrait ainsi provoquer des blessures.



Prévention contre l'effet de retour

Observer les points suivants pour éviter l'effet de retour:

- Le mode de fonctionnement "Angle de lame entre midi et 2 h" présente certains risques, en particulier lors de l'utilisation d'outils de coupe métalliques.
- Seuls des utilisateurs formés et expérimentés peuvent procéder à des travaux de coupe avec des angles de lame compris entre 11 et midi ou 2 et 5 h, et ce uniquement à leurs propres risques. Une coupe facile et quasiment exempte de retour peut s'effectuer à un angle compris entre 8 et 11 h.

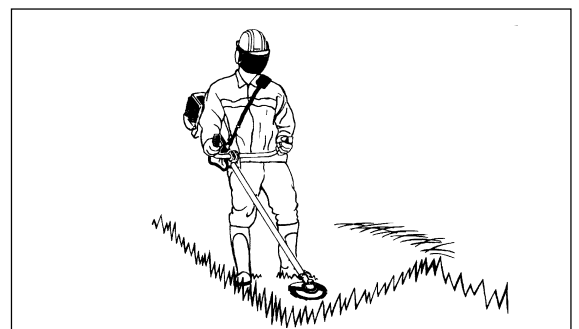


Outils de coupe

Utiliser uniquement les outils de coupe corrects pour procéder aux travaux.

Lame de coupe en métal:

Lame de coupe (lame Star à 4 dents, lame Eddy à 8 dents), Tête de coupe à fil
Pour couper les matériaux épais, comme les mauvaises herbes, hautes herbes, buissons, arbustes, sous-bois, fourrés, etc. (diamètre maximal de 2 cm).
Pour ce genre de travaux, déplacer la débroussailleuse en demi-cercles réguliers, de droite à gauche (comme avec une faux).



Instructions de maintenance

- L'état de la débroussailleuse / taille-bordures et en particulier l'outil de coupe, des appareils de protection ainsi que de la courroie de maintien doivent être vérifiés avant le début des travaux. Attacher particulièrement de l'attention aux lames de coupe qui doivent être affûtées correctement.
- Couper le moteur et retirer le connecteur de la bougie d'allumage lors de montage ou de l'affûtage des outils de coupe et également lors du nettoyage de la débroussailleuse / taille-bordures ou de l'outil de coupe.

Ne jamais redresser ou souder des outils de coupe endommagés.

- Utiliser la débroussailleuse / taille-bordures à un niveau sonore et polluant aussi faible que possible. Contrôler en particulier si le carburateur est monté correctement.
- Nettoyer la débroussailleuse / taille-bordures à des intervalles réguliers et vérifier que l'ensemble des vis et des écrous soient bien serrés
- Ne jamais réparer ou remiser la débroussailleuse / taille-bordures à proximité de flammes.
- Toujours remiser la débroussailleuse / taille-bordures dans des pièces fermées à clé et en veillant à ce que le réservoir de carburant soit vide.



Respecter les instructions de prévention contre les accidents établies par les associations commerciales et les compagnies d'assurance habilitées. Ne procéder à aucune modification sur la débroussailleuse / taille-bordures car elles pourraient mettre votre vie en danger.

L'efficacité des travaux de maintenance et des réparations se limite aux opérations décrites dans le manuel d'instructions. Tout autre opération doit être effectuée par un agent habilité du service après-vente.

Utiliser uniquement des pièces détachées et des accessoires d'origine commercialisés et fournis par DOLMAR.

L'utilisation d'accessoires et d'outils non autorisés peut accroître le risque d'accidents.

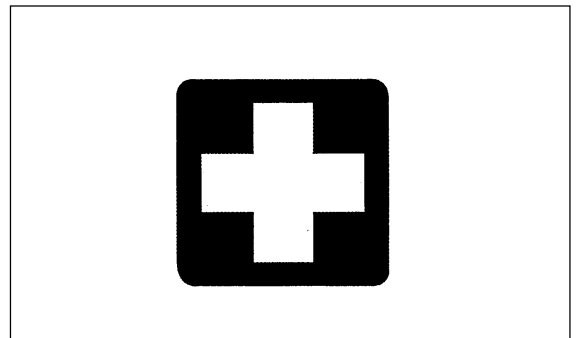
DOLMAR décline toute responsabilité pour des accidents ou des dommages survenus à la suite de l'utilisation d'outils de coupe, d'appareils de fixation pour outils de coupe et d'accessoires non autorisés.

Premier secours

Vérifier qu'une boîte de premier secours est toujours disponible à proximité du lieu de travail. Remplacer immédiatement tout article prélevé dans la boîte de premier secours.

Si vous demandez du secours, veuillez indiquer les informations suivantes:

- Lieu de l'accident
- Ce qui se passe
- Le nombre de personnes blessées
- Le type de blessures
- Votre nom



Emballage

La débroussailleuse / taille-bordures DOLMAR est livrée dans deux cartons de protection afin d'éviter des endommagements au cours du transport. Le carton est une matière première réutilisable ou recyclable (recyclage des vieux papiers).



DECLARATION DE CONFORMITE CE

Je soussigné Shigeharu Kominami et les Rainer Bergfeld, habilité par le siège de DOLMAR GmbH, Jenfelder Str. 38, 22045 Hamburg, Germany déclare que le matériel DOLMAR,

Type: MS-250.4, MS-251.4

fabriqué par Robin est conforme aux exigences de sécurité et de santé de base des directives CE suivantes:

EU Machine directive 98/37/EG

EU EMC directive 89/336/EWG (modifié en 91/263/EWG, 92/31/EWG et 93/68/EWG).

Directives contre émissions de bruit 2000/14/EC

Les principales normes utilisées pour satisfaire aux exigences des directives CE ci-dessus étaient les suivantes : EN11806, CISPR12, EN50082-1.

Documentation technique: FUJI ROBIN INDUSTRIES LTD.
35, Ohoka, Numazu-City, Shizuoka-Pref. JAPON 410-8535
Mitsunori Watanabe
Directeur Général, Département Technique

Puissance de son garanti : 106 dB (MS-250.4)
115 dB (MS-251.4)
Puissance de son mesuré : 102 dB (MS-250.4)
111 dB (MS-251.4)

Hamburg, 01.06.2005
par DOLMAR GmbH

Shigeharu Kominami
Directeur Général

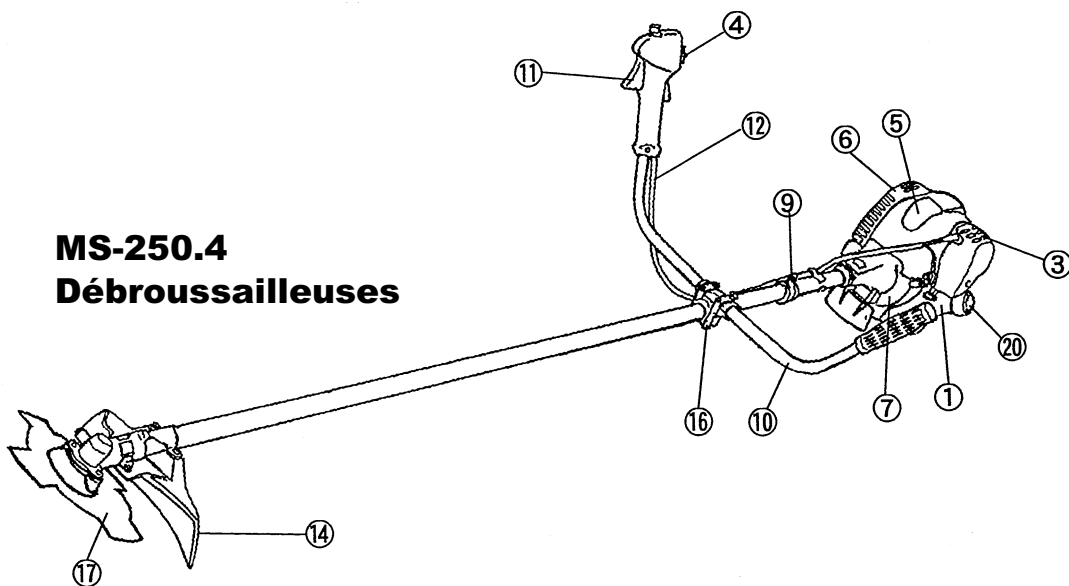
Rainer Bergfeld
Directeur Général

CARACTERISTIQUES TECHNIQUES MS-250.4, MS-251.4

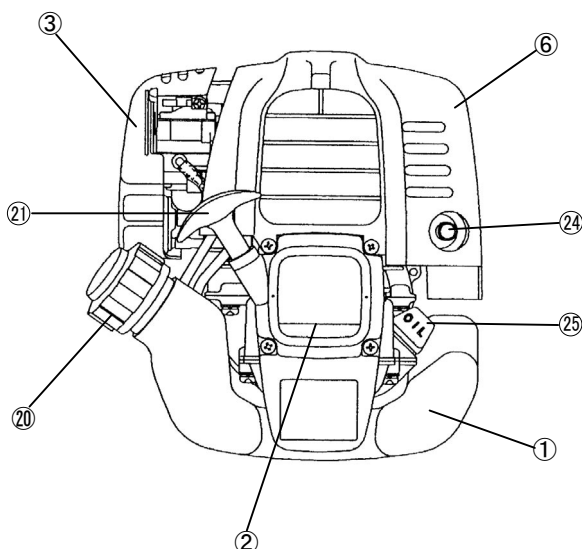
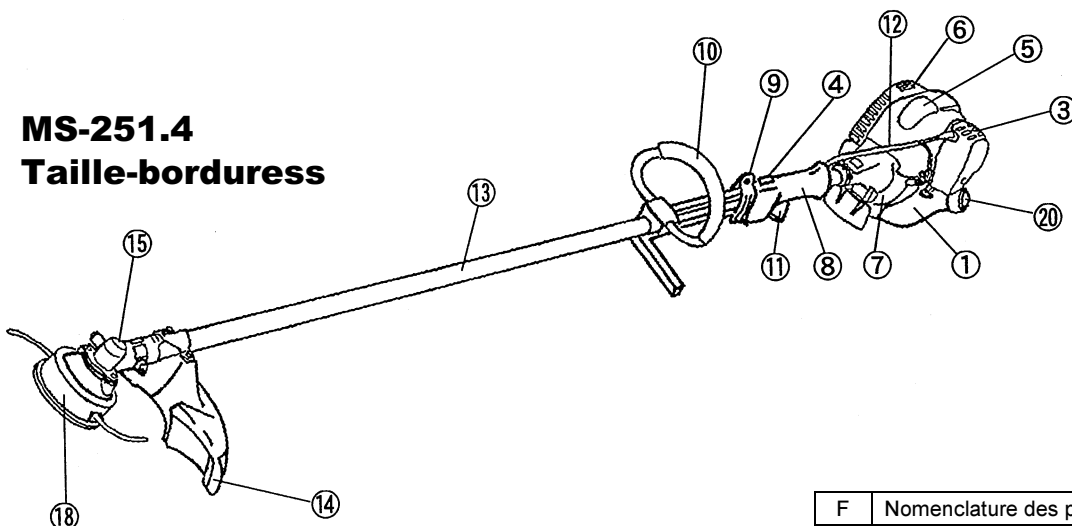
Modèle		MS-251.4	MS-250.4	
		Poignée Simple	Poignée en U	
Dimensions: longueur x largeur x hauteur (sans lame de coupe) mm		1760x330x265	1760x600x405	
Masse (sans protection en plastique et lame de coupe) kg		5.2	5.4	
Volume (réservoir de carburant) L		0.5		
Volume (réservoir d'huile) L		0.08		
Oylindrée du moteur cc		24.5		
Puissance maximale du moteur HP		0.885/7000 /min		
Vitesse du moteur à la vitesse max. autorisée pour l'arbre /min		8500		
Vitesse d'arbre maximale (correspondante) /min		6500		
Consommation maxi de carburant kg/h		0.33		
Consommation spécifique maxi de carburant g/HPh		304		
Vitesse de rotation au ralenti /min		3000		
Vitesse d'embrayage /min		3750		
Carburateur type		WALBRO WYL		
Système d'injection type		Type Allumage électronique		
Bougie d'allumage type		NGK CMR6A		
Jeu électrodes mm		0.7 - 0.8		
Vibration selon ISO 7916 ¹⁾	Poignée droite (prise arrière)	Ralenti m/s ²	2.59	4.72
		Emballement ou régime maxi m/s ²	6.27	4.7
	Poignée gauche (prise avant)	Ralenti m/s ²	3.26	3.83
		Emballement ou régime maxi m/s ²	7.24	7.56
Moyenne du niveau de pression acoustique selon ISO 7917 ¹⁾ dB		87.7	87.7	
Moyenne du niveau de puissance sonore selon ISO 10884 ¹⁾ dB		97.7	97.7	
Carburant		Essence pour moteur		
Huile pour moteur		SAE 10W- 30 huile de la classification API, classe SF ou supérieure (moteur à quatre temps pour automobile)		
Rapport d'engrenage		14/19		

NOMENCLATURE DES PIÈCES

MS-250.4 Débroussailleuses



MS-251.4 Taille-bordures



F	Nomenclature des pièces
1	Réservoir de carburant
2	Poulie d'enroulement du câble de démarrage
3	Filtre à air
4	Interrupteur I-O (marche/arrêt)
5	Bougie d'allumage
6	Pot d'échappement
7	Carter d'embrayage
8	Prise arrière
9	Anneau d'accrochage
10	Poignée
11	Levier de commande
12	Câble de commande
13	Arbre
14	Dispositif de protection
15	Carter de boîte de vitesse/Carter de tête
16	Support de la poignée
17	Lame de coupe
18	Tête de coupe à fil
20	Bouchon de réservoir carburant
21	Levier d'étranglement
24	Pot d'échappement
25	Jauge d'huile

MONTAGE DE LA POIGNÉE

ATTENTION: Toujours couper le moteur et retirer le connecteur de la bougie d'allumage avant de procéder à tout travail au niveau de la débroussailleuse / taille-bordures.
Toujours porter des gants de protection!

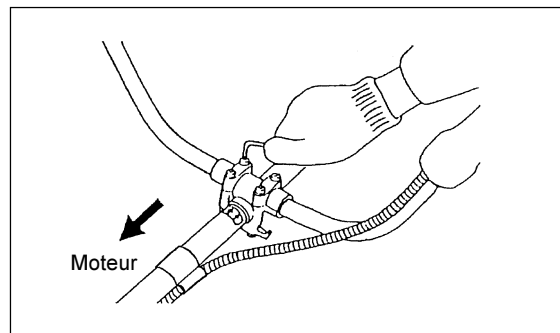
ATTENTION: Mettre la débroussailleuse / taille-bordures en marche uniquement après l'avoir assemblée complètement.



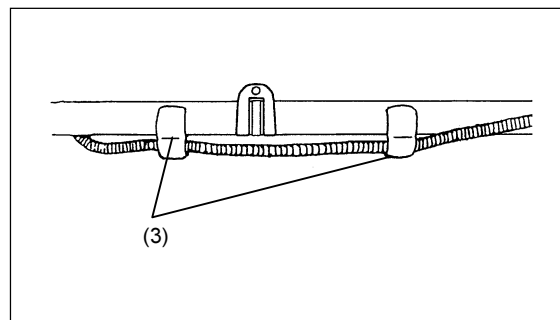
Pour les modèles à poignée en U

- Insérer la barre de la poignée dans le support de la poignée en s'assurant que la bosse présente sur le support s'enclenche dans le trou de la poignée.
- Une fois la barre de la poignée mise en place, serrer les quatre boulons (M5 x 25).

REMARQUE: S'assurer que les boulons sont serrés mais ne pas les serrer de manière excessive.

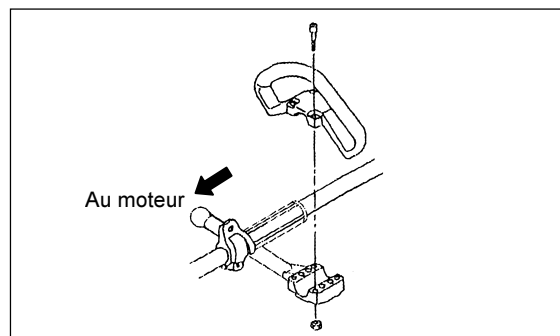


- Fixer le câble des gaz (avec le câble de terre) à la poignée à l'aide d'un deux clip (3).
- Prendre les mesures nécessaires pour empêcher que le câble de commande s'enroule autour de la barre de la poignée.



Machines à poignée simple

- Fixer une barrière sur le côté gauche de la débroussailleuse avec la poignée pour la sécurité de l'utilisateur.
- Ne pas approcher la poignée simple à la poignée de commande.
Maintenir la position entre la poignée simple et la poignée à plus de 250 mm.
(Un collier d'écartement est prévu à effet.)



MONTAGE DU DISPOSITIF DE PROTECTION

Utiliser uniquement les combinaisons outil/dispositif de protection mentionnées dans le tableau pour respecter les prescriptions de sécurité demandées.

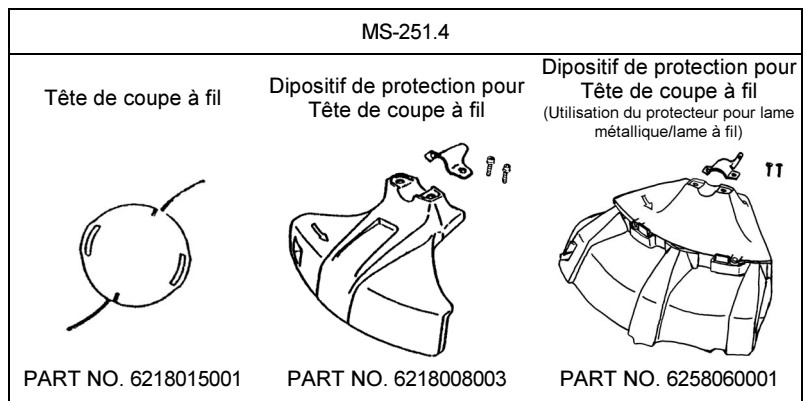
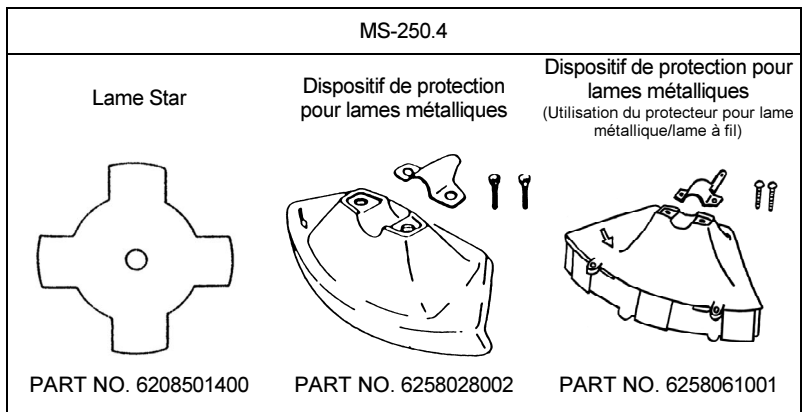
Utiliser seulement une lame de coupe ou une tête de coupe à fil DOLMAR.

- La lame de coupe doit être bien pliée, exempte de fissures ou de cassures. Si la lame de coupe heurte une pierre au cours du fonctionnement, couper le moteur et vérifier immédiatement la lame.
- Affûter ou remplacer la lame de coupe toutes les trois heures de fonctionnement.
- Si la tête de coupe à fil heurte une pierre au cours du fonctionnement, couper le moteur et vérifier immédiatement la lame.

ATTENTION: Le dispositif de protection approprié doit toujours être monté pour garantir votre propre sécurité et pour répondre aux lois relatives à la prévention contre les accidents. Il est interdit d'utiliser l'équipement si la protection n'est pas en place.

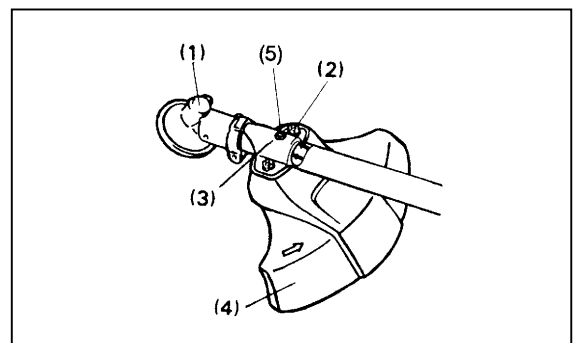
Pour MS-250.4

- Le diamètre extérieur de la lame de coupe doit être de 230mm (9-1/16"). Ne jamais utiliser des lames dépassant 230mm (9-1/16") de diamètre extérieur.



Pour MS-250.4, MS-251.4

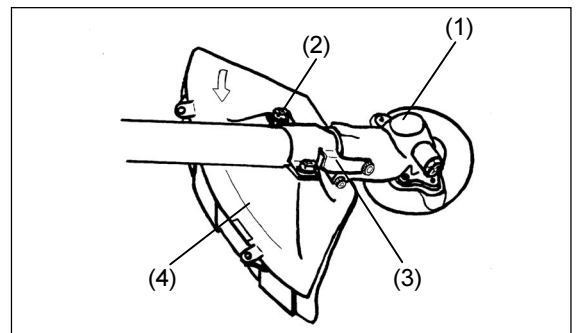
- Monter le collier de serrage (3) sur l'arbre de sorte que son embase soit insérée dans l'ouverture entre le carter de la boîte de vitesse (1) et l'arbre. Bloquer le dispositif de protection (4) au moyen des boulons de fixation M6 x 30 (2) et vis M5 x 8 (5).



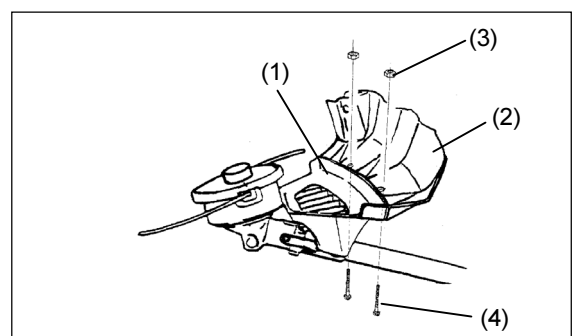
Utilisation du protecteur pour lame métallique/lame à fil

- Lors d'utilisation de la lame métallique, fixer le protecteur (4) au collier de serrage (3) avec deux boulons de fixation M6x30 (2).

Nota: Serrer également les boulons droit et gauche de façon à ce que l'interstice entre la collier de serrage (3) et le protecteur (4) soit constant. Autrement, le protecteur parfois ne peut pas fonctionner comme spécifique.



- Lors d'utilisation de la tête de coupe à fil, insérer le protecteur (2) dans le protecteur (1) et les serrer avec deux vis (4) et deux écrous (3).



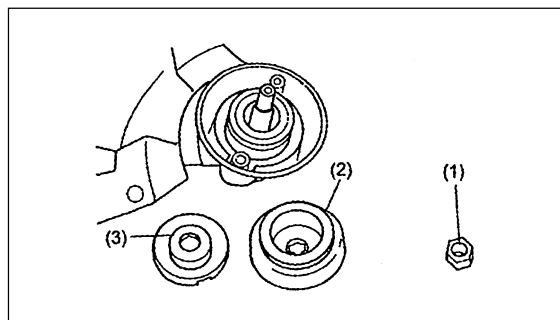
MONTAGE DE LA LAME DE COUPE OU DE LA TÊTE DE COUPE À FIL

Retourner la machine afin de pouvoir placer facilement la lame de coupe ou la tête de coupe.



Pour MS-250.4, MS-251.4

- Insérer la clé hexagonale dans le trou du carter de la boîte de vitesse et faire effectuer une rotation à la rondelle d'accouplement (3) jusqu'à ce qu'elle soit verrouillée au moyen de la clé hexagonale.
- Desserrer l'écrou (filetage à gauche) au moyen de la clé à tube puis resserrer l'écrou (1) et la rondelle de serrage (2).

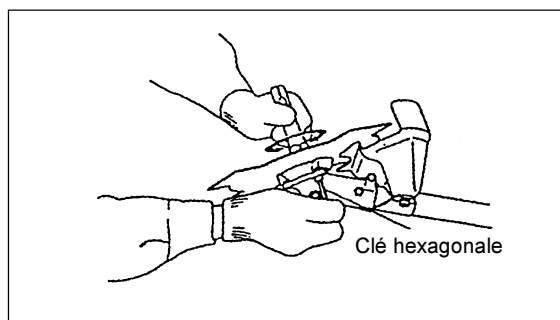


Pour MS-250.4 avec clé hexagonale étant toujours en place.

- Monter la lame sur l'axe en respectant l'indexage avec la rondelle (3).
Monter la rondelle de serrage (2) et bloquer la lame de coupe au moyen de l'écrou (1).
(Couple de serrage: 13-23 N-m)

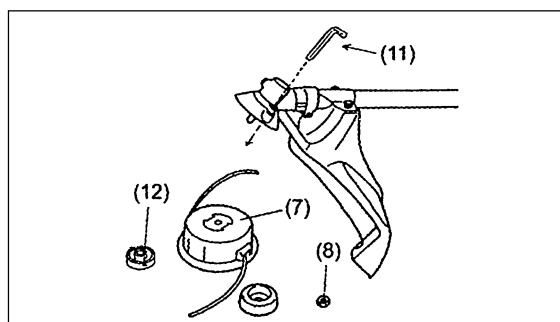
REMARQUE: Toujours porter des gants lors de la manipulation de la lame de coupe.

REMARQUE: L'écrou de serrage de la lame de coupe (avec rondelle à ressort) est une pièce consommable. S'il y a aucune usure ou déformation sur la rondelle à ressort, remplacer la rondelle.

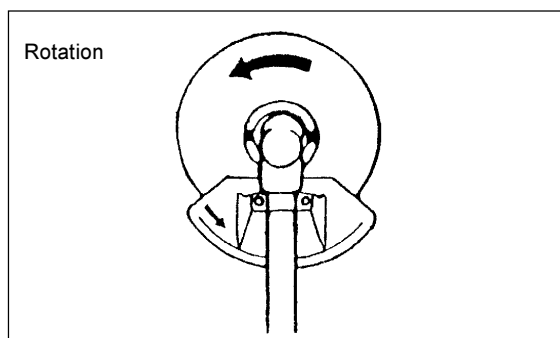


Montage du dispositif de coupe à fil

- Pour monter le dispositif de coupe à fil (7), retirer l'écrou (8).
- Insérer la clé à douille (11) dans l'orifice du réducteur et tourner le disque d'arrêt jusqu'à ce qu'il soit verrouillé avec son encoche (12) (ou que l'arbre soit verrouillé)
- Puis, visser le dispositif de coupe à fil sur l'arbre en le tournant dans le sens inverse des aiguilles d'une montre.
- Retirer la clé à douille.



S'assurer que le côté droit de la lame est bien tourné vers le haut.



CONTROLE ET RAVITAILLEMENT DE L'HUILE MOTEUR

- Faire la méthode suivante après avoir vérifié que le moteur refroidit.
- Maintenir le moteur en position et en lever, la jauge d'huile afin de vérifier que le niveau est situé entre les repères inférieur et supérieur. Lorsque l'huile devient insuffisante en telle manière que la jauge la touche seulement par son extrémité, en particulier lorsque la jauge reste insérée dans le carter sans vissage (Fig. 1), ravitailler en huile nouvelle (Fig.2).
- Le niveau d'huile doit être fait tous les 10 heures. (10 fois ou 10 réservoirs de ravitaillement en huile)
- Si l'huile est trop usagée, il faut la remplacer. (Pour l'intervalle et la méthode de remplacement, se référer à la page 47.)

Huile recommandée : SAE 10W – 30 huile de la classification API, classe SF ou supérieure (moteur à quatre temps pour automobile)

Volume d'huile : Env. 0.08L

Nota: Si le moteur n'est pas debout, l'huile peut se déplacer aux alentours du moteur, et elle peut être ravitaillée excessivement.
Si l'huile est fournie au-dessus de la limite, l'huile peut être contaminée ou elle peut prendre feu, émettant une fumée blanche.

Remplacement de l'huile "Jauge d'huile"

- Enlever les poussières et les impuretés à proximité de l'orifice de ravitaillement, et déposer la jauge d'huile.
- Tenir la jauge loin du sable et de poussière. Toute impureté adhérent à la jauge pourrait provoquer un problème de fonctionnement moteur.
- A titre d'exemple, pour maintenir la jauge nette, il est recommandé d'insérer la jauge d'huile sur le côté poignée dans le couvercle de moteur, comme l'indique Fig. 3.

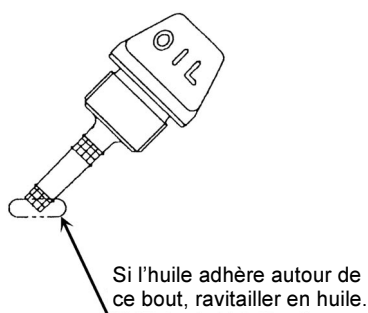


Fig.1

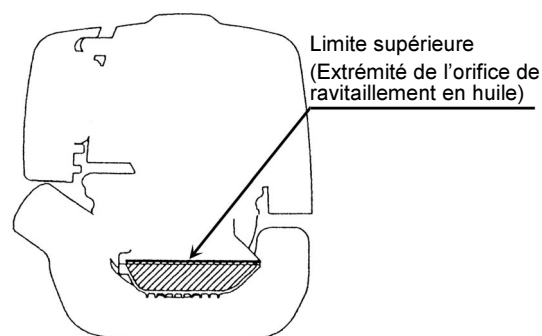


Fig.2

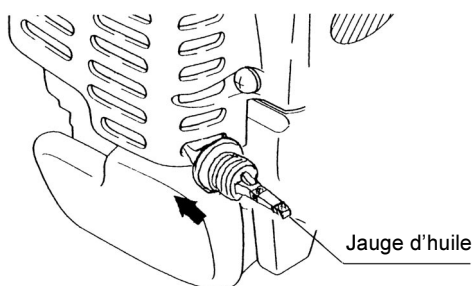
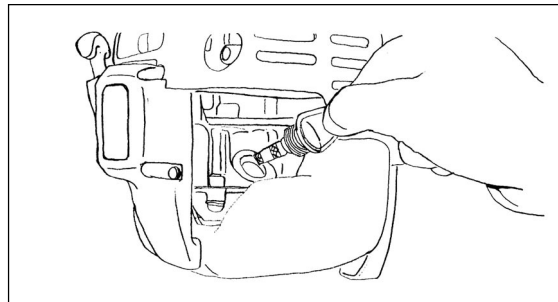
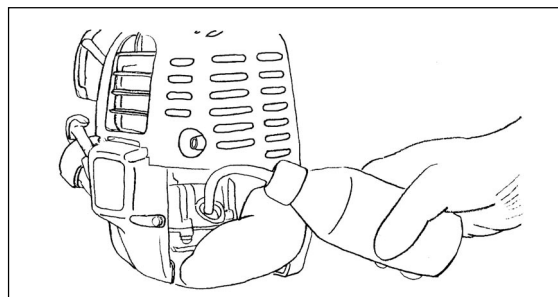


Fig.3

(1) Tenir moteur de niveau, et déposer la jauge d'huile.



(2) Mettre de l'huile jusqu'au bout de l'orifice de ravitaillement. (Se référer à la figure de la page précédente.)
Mettre de l'huile à l'aide d'un récipient de ravitaillement en lubrifiant.



(3) Serrer fermement la jauge d'huile. Un serrage insuffisant causera une fuite d'huile.

L'essentiel 2 lors de remplacement de l'huile: "Si de l'huile se renverse"

- Si de l'huile se renverse entre le réservoir à carburant et le groupe moteur, l'huile est aspirée en dedans par l'orifice d'entrée d'air refroidissant, ce qui salira le moteur. Ne jamais oublier d'essuyer l'huile renversée avant commencement de la marche.

RAVITAILLEMENT

Manipulation du carburant

Il est nécessaire de manipuler le carburant avec un soin particulier. Le carburant peut contenir des matières similaires aux solvants. Le ravitaillement doit être fait dans une chambre bien ventilée ou en plein air. Ne jamais aspirer de la vapeur de carburant, et s'éloigner du carburant. Un contact prolongé ou régulier avec de l'essence peut provoquer un dessèchement de la peau ainsi que des maladies et des réactions allergiques. En cas de contact avec les yeux il faut rincer avec de l'eau. Si l'œil reste irrité consulter un médecin.

Durée de stockage du carburant

Le carburant doit être utilisé totalement dans un délai de quatre semaines, même s'il est contenu dans un récipient spécial et stocké à l'ombre bien aérée.

Si le carburant n'est pas stocké dans un récipient spécial ou si le récipient n'est pas couvert, le carburant se détériore dans un jour.

ENTREPÔSAGE DE L'APPAREIL ET DU RÉSERVOIR DE RAVITAILLEMENT

- Garder l'appareil et le réservoir à un endroit sans être exposé aux rayons du soleil.
- Ne jamais garder le carburant dans une cabine ou sur le camion.

Carburant

Le moteur est à quatre temps. Utiliser de l'essence sans plomb 98 (essence régulier ou essence de première qualité).

Les essentiels pour le carburant

- Ne jamais utiliser de mélange d'essence contenant de l'huile à moteur.
- Une huile détériorée causera un démarrage irrégulier.

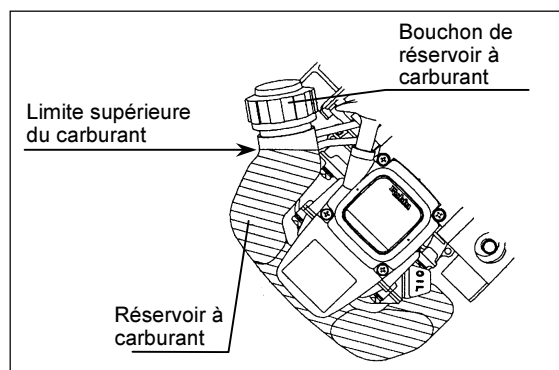
Ravitaillement

Avertissement : produit inflammable

Essence utilisée : Essence sans plomb 98

- Desserrer un peu le bouchon de réservoir de telle qu'il n'ait pas de différence en pression atmosphérique.
- Desserrer le bouchon du réservoir et orienter l'orifice du réservoir vers l'eau pour éviter les poches d'air. Attention de ne pas faire de plein du carburant dans le réservoir d'huile.
- Essuyer complètement les alentours du bouchon de réservoir afin de prévenir l'entrée de matières étrangères dans le réservoir à carburant.
- Après ravitaillement, serrer fermement le bouchon de réservoir.

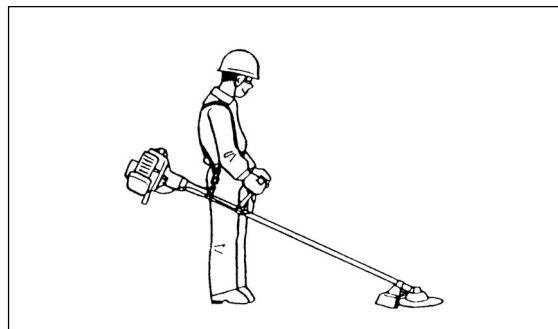
- S'il y a aucune fissure sur le couvercle du réservoir, le remplacer.
- Le couvercle du réservoir est une pièce consommable. Par conséquent, elle doit être remplacée tous les deux à trois ans.



MANIPULATION CORRECTE DE LA MACHINE

Fixation du harnais:

- Ajuster la longueur du harnais de sorte que la lame du coupe ou la tête de coupe reste parallèle au sol.

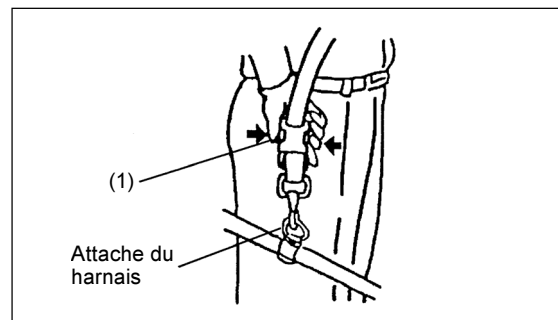


Retrait

Pour MS-251.4

- En cas d'urgence, poussez les entailles (1) sur les deux côtés, et vous pouvez détacher la machine de vous. Être extrêmement prudent pour garder le contrôle de la machine lors de cette opération. Ne pas laisser la machine dévier dans votre direction ou vers toute autre personne se trouvant à proximité de la zone de travail.

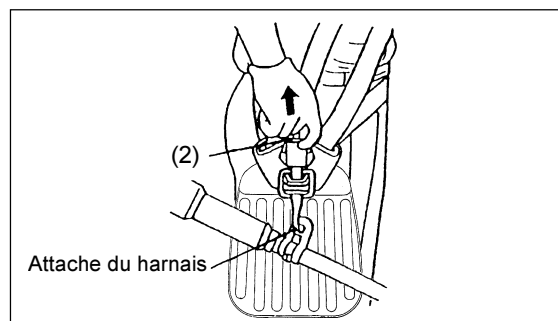
AVERTISSEMENT: La non-observation de cette précaution peut se traduire par de blessures corporelles graves ou la MORT.



Pour MS-250.4

- En cas d'urgence, passer votre doigt sur le levier de séparation d'urgence (2) et tirer fortement vers le haut, afin de séparer l'appareil de sa bandoulière. Être extrêmement prudent pour garder le contrôle de la machine lors de cette opération. Ne pas laisser la machine dévier dans votre direction ou vers toute autre personne se trouvant à proximité de la zone de travail.

AVERTISSEMENT: La non-observation de cette précaution peut se traduire par de blessures corporelles graves ou la MORT.



CONSIGNES DE MISE EN MARCHÉ ET ARRÊT DE LA MACHINE

Respecter les lois applicables en matière de prévention contre les accidents!

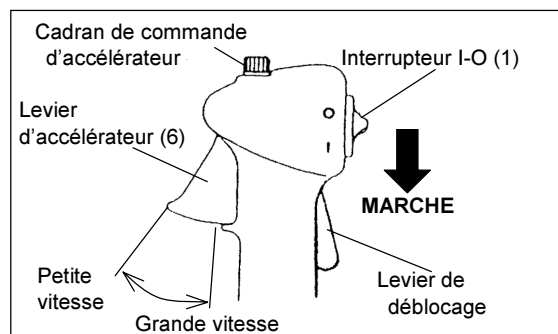
Démarrage

Déplacer la machine à trois mètres au moins du lieu de ravitaillement. Placer la débroussailleuse / taille-bordures sur une zone propre en veillant à ce que l'outil de coupe n'entre pas en contact avec le sol ou tout autre objet.



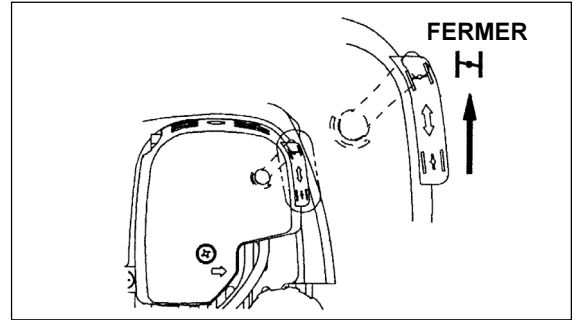
A: Démarrage à froid

- 1) Positionner cette machine sur un lieu plat.

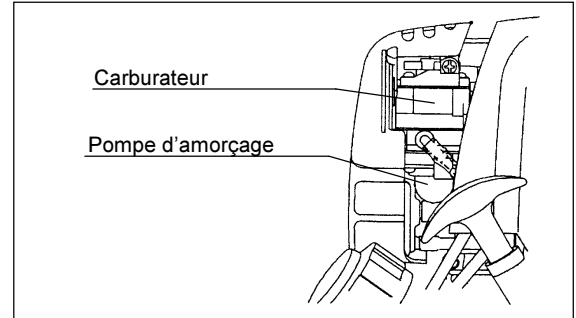


Pour les machines à poignée en U ou en Boucle

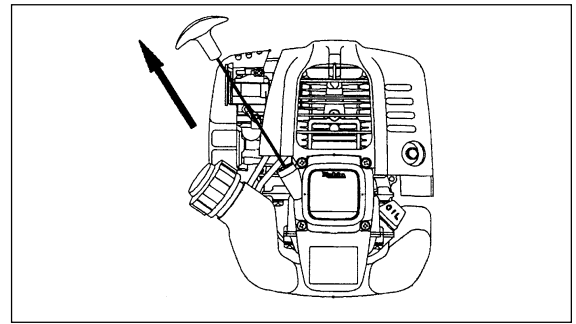
- 1) Mettre l'interrupteur I-O (1) sur la position "OPERATION".
- 2) Fermer le levier de réglage.
 - Ouvrir le levier de réglage :
 - Fermer le levier starter lors d'un démarrage à froid.
 - Ouverture de levier starter pour un démarrage à chaud.



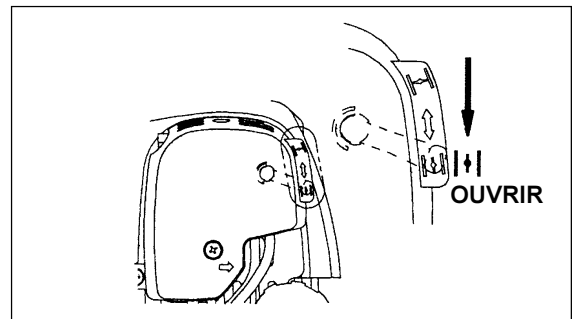
- 3) Pompe d'amorçage
Continuer à pousser la pompe d'amorçage jusqu'à ce que le carburant entre dans la pompe d'amorçage. (En générale, le carburant entre dans la pompe d'amorçage par 7 à 10 poussées.)
Si la pompe d'amorçage est poussée excessivement, un excès de l'essence retourne au réservoir à carburant.



- 4) Poulie d'enroulement du câble de démarrage
 - Tirer la poignée de démarrage jusqu'à ce qu'il soit difficile de tirer (point de compression). Puis, laisser revenir la poignée de démarrage, et la tirer fortement.
 - Ne jamais tirer le câble pleinement. Une fois que la poignée de démarrage est tirée, ne jamais lâcher prise du câble tout à coup. Saisir la poignée de démarrage jusqu'à ce qu'elle retourne au point original.



- 5) Levier de starter
Lorsque le moteur démarre, ouvrir le levier de starter.
 - Ouvrir le levier de starter pas à pas, en vérifiant la marche du moteur. Ne pas manquer d'ouvrir le levier de réglage pleinement à la fin.
 - Au froid ou lorsque le moteur reste froid ne pas ouvrir le levier de réglage subitement. Autrement, le moteur s'arrêtera.
- 6) Montée en température
Effectuer la montée en température pendant deux ou trois minutes.



Attention:– Si vous actionnez trop longtemps sur le starter alors que la manette de démarrage est en position "START", vous risquez de noyer le moteur par une arrivée trop importante de carburant, rendant le démarrage de l'appareil difficile.
–Si le moteur est noyé, dévissez la bougie, puis tirez largement plusieurs fois sur le levier du starter, et retirez le carburant en trop. Ou bien, séchez l'électrode de la bougie.

Consignes de sécurité lors du fonctionnement:

Si le lever d'étranglement est complètement ouvert lors d'un fonctionnement sans charge, le régime du moteur augmente jusqu'à 10000 /min ou plus. Ne jamais utiliser le moteur à une vitesse supérieure à la vitesse requise et respecter une vitesse approximative de 6000 – 8500 /min.

B: Démarrage après réchauffage

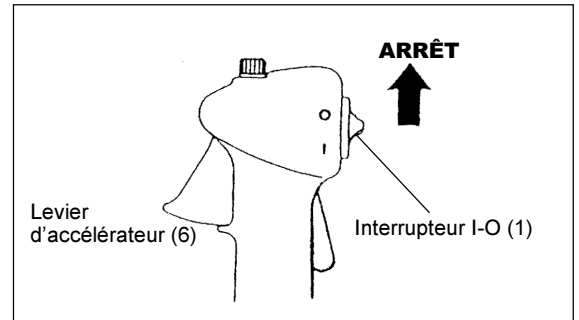
- 1) Pousser la pompe d'amorçage à plusieurs reprises.
- 2) Tenir le levier d'accélérateur au ralenti.
- 3) Tirer le câble de démarrage fortement.
- 4) S'il est difficile de démarrer le moteur, ouvrir le levier d'accélérateur par un tiers. Il faut alors faire attention à la lame de coupe, qui peut tourner soudainement.

Attention lors du fonctionnement

Lorsque le moteur fonctionne à l'envers (échappement en dessous du réservoir), il peut arriver qu'une fumée blanche s'échappe.

Arrêt

- 1) Relâcher complètement le levier d'accélérateur (6) et mettre l'interrupteur I-O sur la position "STOP" lorsque le régime du moteur s'est abaissé: le moteur s'arrêtera.
- 2) Faire attention à ce que la tête de coupe ne puisse pas s'arrêter toute de suite, faire réduire doucement la vitesse jusqu'au ralenti.

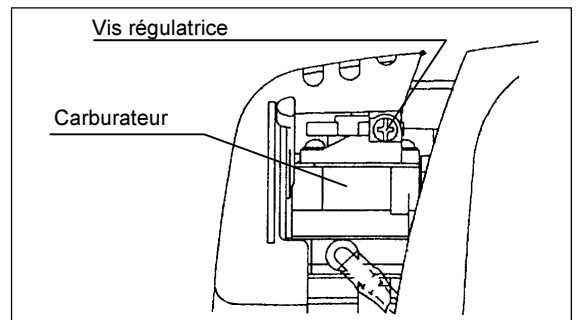


REGLAGE DE LA MARCHÉ A PETITE VITESSE (AU RALENTI)

Lorsqu'il est nécessaire de faire un réglage à petite vitesse (au ralenti), manipuler la vis régulatrice du carburateur.

VERIFICATION DE LA ROTATION A PETITE VITESSE

- Régler à 3000 /min la rotation à petite vitesse. S'il est nécessaire de changer la vitesse de rotation, ajuster la vis régulatrice (illustrée à gauche) avec tournevis cruciforme.
- Tourner la vis régulatrice à droite. La rotation du moteur augmentera.
- Tourner la vis régulatrice à gauche. La rotation du moteur diminuera.
- Le carburateur est réglé en générale avant expédition. S'il est nécessaire de le régler de nouveau, s'adresser à l'agent du service après-vente habilité.

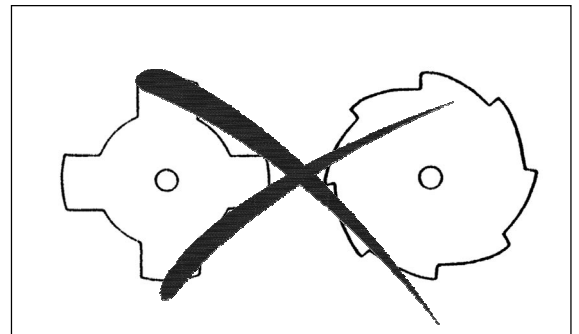


RÉAFFÛTAGE DE L'OUTIL DE COUPE

ATTENTION: Les outils de coupe mentionnés ci-dessous doivent être réaffûtés uniquement par un service habilité. Le réaffûtage manuel se traduirait par des déséquilibres de l'outil de coupe qui entraîneraient des vibrations et endommageraient la machine.

- Lame de coupe (lame Star (4 dents), lame Eddy (8 dents)). Un service de réaffûtage et d'équilibrage est délivré par un agent du service après-vente habilité.

REMARQUE: Pour augmenter la longévité de la lame de coupe (lame Star, lame Eddy), on peut la retourner une fois jusqu'à ce que les deux arêtes de coupe soient émoussées.



Tête de coupe à fil en nylon

La tête de coupe à fil en nylon est une tête à double fil capable d'assurer automatiquement les opérations de sélection de longueur de fil.

La tête de coupe à fil en nylon délivre automatiquement la longueur appropriée de fil en fonction des variations de la force centrifuge générées par l'augmentation ou la diminution du régime. De plus, il est possible, en cognant la tête de coupe à fil en nylon contre le sol de fournir une longueur de fil supplémentaire comme indique dans la partie Fonctionnement afin de couper l'herbe molle de manière plus efficace.

Fonctionnement

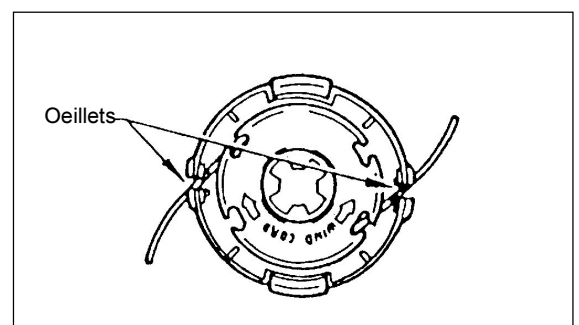
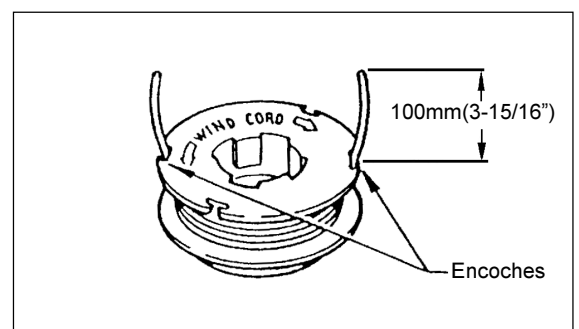
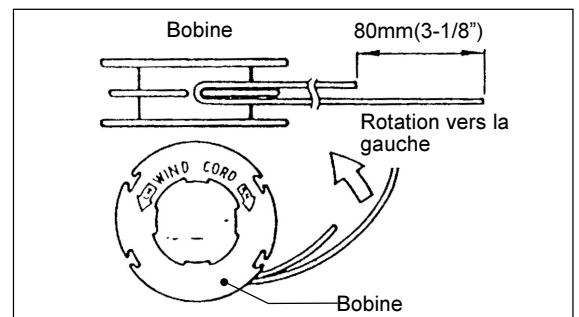
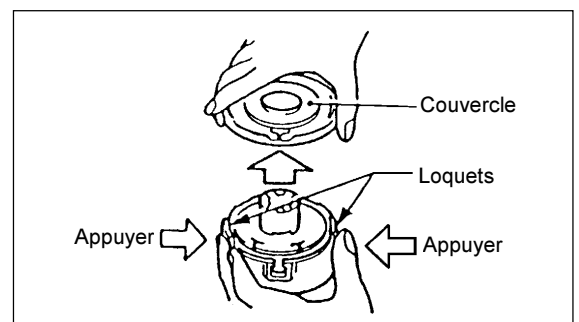
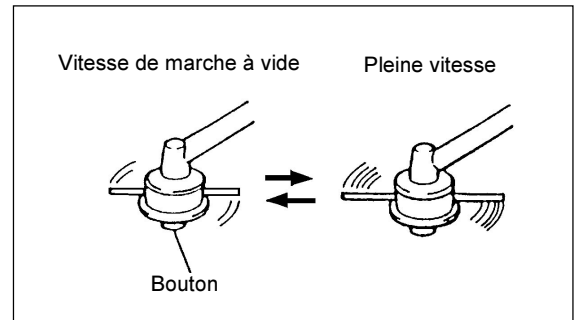
- Augmenter la vitesse de la tête de coupe à fil en nylon jusqu'à env. 6000 /min.
La vitesse faible (4800 /min) n'est pas appropriée car le fil ne peut pas sortir correctement.
- Le domaine de coupe le plus efficace est visualisé par la zone hachurée.

Si le fil ne se déroule pas automatiquement procéder de la manière suivante:

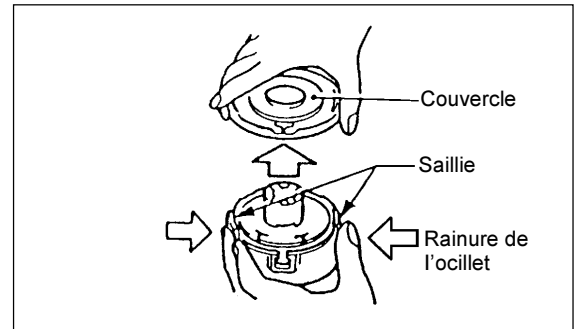
1. Relâcher le levier de commande pour faire fonctionner le moteur en marche à vide puis abaisser complètement le levier de commande. Répéter cette procédure jusqu'à ce que le fil en nylon se déroule à la longueur correcte.
2. Si le fil en nylon est trop court pour se dérouler automatiquement selon la procédure ci-dessus, cogner le bouton de la tête de cordon contre le sol afin de dérouler le fil en nylon.
3. Si le fil en nylon ne se déroule pas selon la procédure 2, rembobiner/remplacer le fil en nylon en suivant les procédures décrites sous la rubrique Remplacement du file en nylon".

Remplacement du fil en nylon

- Commencer par couper le moteur.
- Appuyer sur les loquets du carter vers l'intérieur pour soulever le couvercle; retirer ensuite la bobine.
- Accrocher le centre du nouveau fil en nylon dans l'encoche située au centre de la bobine, une des extrémités du fil étant plus longue de 80 mm (3-1/8") que l'autre.
Enrouler alors solidement les deux extrémités autour de la bobine dans le sens de rotation de la tête (sens gauche indiqué par Gil et sens droit par DII sur le côté de la bobine).
- Enrouler les câbles en laissant une longueur de 100 mm (3-15/16"), les extrémités restant temporairement accrochées à travers une encoche sur le côté de la bobine.
- Monter la bobine dans le carter de sorte que les cannelures et les saillies de la bobine s'adaptent à celles du carter. Maintenir le côté annoté de sorte qu'il soit visible vers le haut. Décrocher alors les extrémités du câble de leur position temporaire et les faire passer à travers les oeillets pour sortir du carter.



- Aligner la saillie de la partie inférieure du couvercle sur les rainures des oeillets.
Pousser alors avec force le couvercle sur le carter afin de le bloquer.



INSTRUCTIONS RELATIVES AUX RÉPARATIONS

ATTENTION: Toujours couper le moteur et retirer le capuchon de la bougie d'allumage avant de procéder à tout travail sur la débroussailleuse / taille-bordures (voir "Contrôle de la bougie d'allumage").

Toujours porter des gants de protection!

Procéder aux réparations suivantes à intervalles réguliers pour assurer une longévité importante et pour éviter tout endommagement de l'équipement.

Contrôle et opérations de maintenance réguliers

- Vérifier si les vis sont serrées et si l'ensemble des pièces est en place avant d'utiliser la machine. Prêter particulièrement attention à la fixation de la lame de coupe ou de la tête de coupe.
- Toujours vérifier si le canal et les ailettes de refroidissement du cylindre sont débouchés avant d'utiliser la machine. Les nettoyer si nécessaire.
- Procéder quotidiennement aux opérations suivantes après utilisation:
 - Nettoyer l'extérieur de la débroussailleuse / taille-bordures et vérifier si elle est endommagée.
 - Nettoyer le filtre à air. Nettoyer le filtre plusieurs fois par jour si les conditions de travail sont extrêmement poussiéreuses.
 - Vérifier si la lame ou la tête de coupe est endommagée et s'assurer qu'elle est montée solidement.
 - Vérifier que la différence entre la vitesse de ralenti et la vitesse de conduite est suffisante afin de s'assurer que la lame de coupe est au repos lorsque le moteur fonctionne ralenti (réduire la vitesse de ralenti si nécessaire).
Si l'outil devait continuer à fonctionner dans des conditions de ralenti, consulter l'agent du service après-vente habilité le plus proche.
- Vérifier le fonctionnement de l'interrupteur I-O, le levier de déverrouillage, le levier de commande et le bouton de verrouillage.

REPLACEMENT DE L'HUILE A MOTEUR

Une huile à moteur détériorée peut diminuer la longévité considérablement. Ne pas manquer de vérifier la période et la quantité de remplacement.



ATTENTION : En générale, le bloc moteur et l'huile à moteur restent chauds immédiatement après que le moteur s'arrête. Lors de remplacement d'huile, confirmer que le bloc moteur et l'huile à moteur sont refroidis pleinement. Autrement, il y a un risque de brûlure.

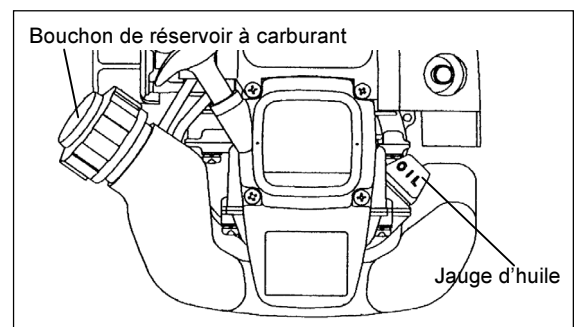
Nota: Si l'huile est fournie au-dessus de la limite, elle peut être contaminée ou prendre feu.

Intervalle de remplacement : Initialement, toutes les 20 heures de marche, et successivement toutes les 50 heures de marche.

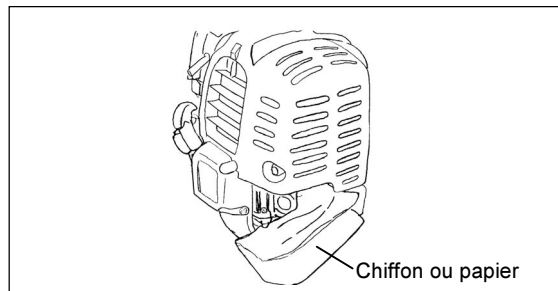
Huile recommandée : SAE10W-30 de la classification API, Classe SF ou supérieure (moteur à quatre temps pour automobile)

Lors de remplacement, faire les procédés suivants :

- 1) Confirmer que le bouchon de réservoir est serré complètement.
- 2) Déposer la jauge d'huile.
Tenir la jauge d'huile propre de toutes poussières ou particules.



3) Mettre un chiffon ou papier aux alentours de l'orifice de ravitaillement.



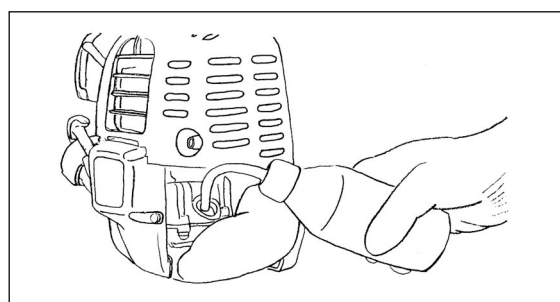
4) Déposer la jauge d'huile, et évacuer l'huile en inclinant le bloc vers l'orifice de ravitaillement.
Evacuer l'huile dans un récipient.



5) Tenir le moteur plat, remplir en huile fraîche jusqu'à l'extrémité de l'orifice de ravitaillement.

Lors de ravitaillement, utiliser un récipient de ravitaillement à lubrifiant.

6) Après ravitaillement, serrer la jauge d'huile fermement. Un serrage insuffisant de la jauge d'huile peut provoquer une fuite d'huile.



ESSENTIELS POUR L'HUILE

- Ne jamais déposer de l'huile à moteur usagée dans des ordures, dans la terre, ou dans un égout. La depot de l'huile utilisée est réglementée par la loi. Lors de la disposition, il faut observer les lois et règlements concernés. Pour aucuns points restant inconnu, s'adresser à l'agent du service après-vente habilité.
- L'huile se détériore même si elle est stockée intacte. Faire le contrôle et le remplacement à des intervalles réguliers (renouveler l'huile tous les six mois.)

NETTOYAGE DU FILTRE A AIR



DANGER : DEFENSE DE FAIRE DU FEU

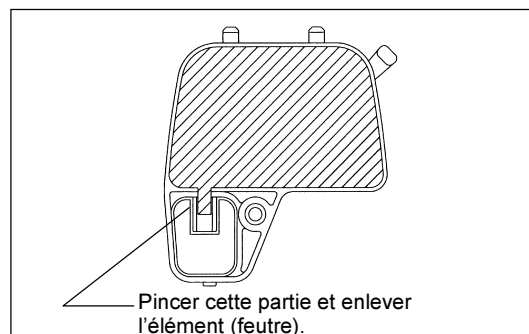
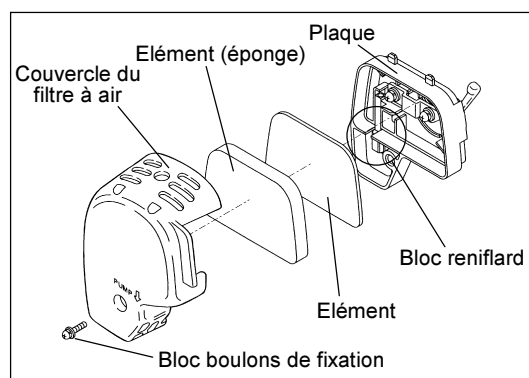
Intervalle de nettoyage et de contrôle :

Quotidien (toutes les 10 heures de marche)

- Faire tourner le levier de réglage pleinement vers le côté fermeture, et tenir le carburateur net de poussières ou d'impuretés.
- Déposer les boulons de fixation du couvercle de filtre à air.
- Tirer le côté inférieur du couvercle et déposer le couvercle du filtre à air.
- Si l'huile adhère à l'élément (éponge), le tordre fermement.
- Pour les contaminations fortes :
 - 1) Enlever l'élément (éponge), l'immerger dans l'eau tiède ou dans un détergent, et le sécher complètement.
 - 2) Nettoyer l'élément (feutre) avec essence, et le sécher complètement.
- Avant de poser l'élément, prendre garde à le sécher complètement. Le séchage insuffisant peut provoquer un démarrage difficile.
- Essuyer avec une toile toute l'huile adhérente aux alentours du filtre d'air et du reniflard de toile.
- Immédiatement après que le nettoyage est fini, reposer le couvercle du filtre, et le serrer avec boulons de fixation. (Lors de remontage, d'abord mettre le cliquet supérieur et puis le cliquet inférieur.)

Points à garder lors de manieiment de l'élément du filtre d'air

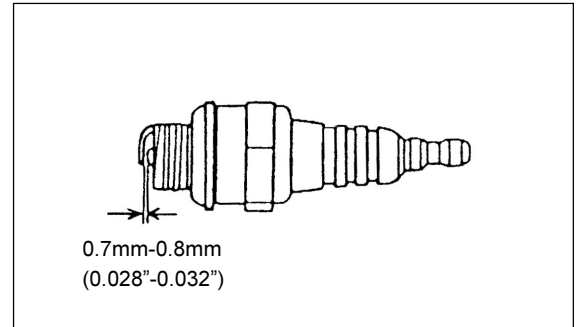
- Nettoyer l'élément à plusieurs reprises par jour, s'il y a des poussières excessives y adhérentes.
- Si le fonctionnement continue sans enlever l'huile complètement de l'élément, l'huile restant dans l'air peut tomber dehors, ce qui pourrait provoquer une contamination d'huile.



CONTÔLE DE LA BOUGIE D'ALLUMAGE

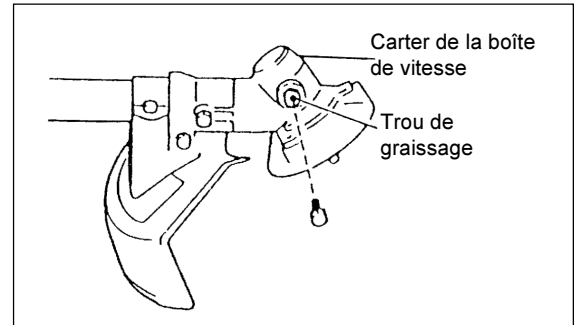
- Utiliser uniquement la clé universelle fournie pour retirer ou monter la bougie d'allumage.
- L'espacement entre les deux électrodes de la bougie d'allumage devrait être de 0,7 - 0,8mm (0,028" - 0,032"). Si l'espacement est trop large ou trop étroit, le régler. Si la bougie d'allumage est bouchée avec de la calamine ou encrassée, la nettoyer soigneusement ou la remplacer.

ATTENTION: Ne jamais toucher le connecteur de la bougie d'allumage lorsque le moteur tourne (risque d'électrocution haute tension).



GRAISSAGE DU CARTER D'ENGRENAGE

- Alimenter le carter d'engrenage en graisse (Shell Alvania 2 ou équivalent) à travers le trou de graissage toutes les 30 heures. (Se procurer de l'huile DOLMAR d'origine auprès de son agent DOLMAR.)



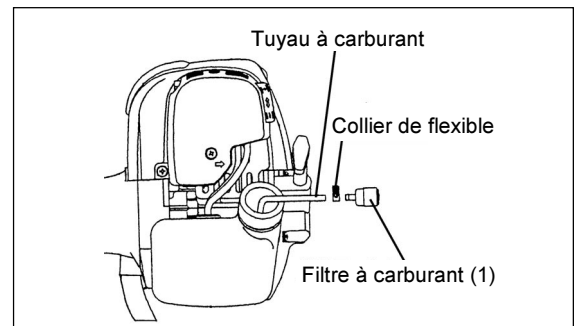
NETTOYAGE DU FILTRE A CARBURANT

Avertissement : Produit inflammable

Intervalle de nettoyage et contrôle : Mensuel (toutes les 50 heures de marche)

Tête d'aspiration dans le réservoir de carburant

- Le filtre à carburant (1) de la tête d'aspiration est utilisé pour filtrer le carburant requis par le carburateur.
- Procéder à une inspection visuelle périodique du filtre à carburant. Ouvrir le bouchon du réservoir à cet effet, utiliser un crochet et retirer la tête d'aspiration à travers l'ouverture du réservoir. Remplacer les filtres durcis, pollués ou bouchés.
- Une alimentation en carburant insuffisante peut empêcher le moteur d'atteindre sa vitesse de fonctionnement optimale. Il est donc important de remplacer le filtre à carburant au moins tous les 4 mois afin d'assurer une alimentation en carburant satisfaisante du carburateur.



REMPACEMENT DU TUYAU A CARBURANT

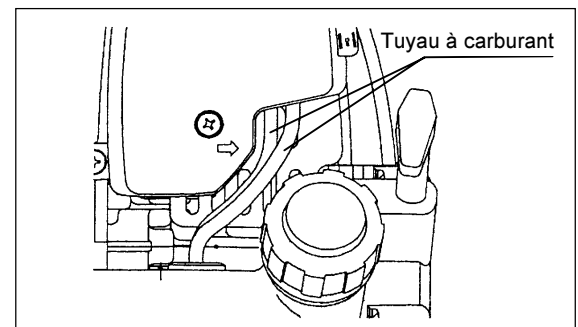
Attention : Produit inflammable

Intervalle de nettoyage et contrôle : Quotidien (toutes les 10 heures de marche)

Remplacement : Annuel (toutes les 200 heures de marche)

Remplacer le durite chaque année, quelque soit la fréquence de marche. Une fuite d'huile peut provoquer un incendie.

S'il y a une fuite découverte pendant contrôle, remplacer le tuyau à huile sans délai.



CONTROLE DES BOULONS, ECROUS ET VIS

- Resserrer les boulons, écrous, etc relâché.
- Vérifier la fuite de carburant et d'huile.
- Renouveler les pièces endommagées. Les poussières et ordures adhérant aux aubes peuvent causer un grippage.

NETTOYAGE DES PIECES

- Tenir le moteur toujours net.
- Tenir les ailettes de cylindre propres de toutes poussières et particules. Ce la peut provoquer un échauffement et un grippage du moteur.

REMPACEMENT DES JOINTS ET GARNITURES

Lors de remontage après le moteur est démonté, ne pas manquer de renouveler les joints et garnitures.

Toutes maintenances ou réglages non décrits dans ces instructions doivent être réalisés par un agent du S.A.V. habilité.

REMISAGE



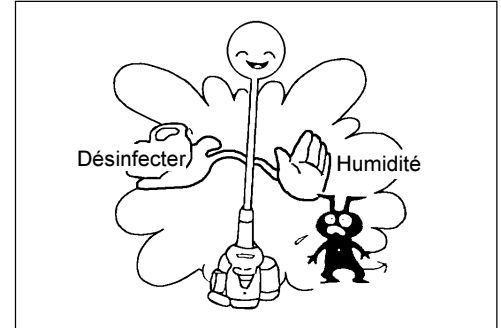
AVERTISSEMENT: Lors de décharger l'huile, prendre garde à arrêter le moteur et confirmer que le moteur se refroidit.

Justement après arrêt du moteur, il peut rester chaud, pouvant provoquer des brûlures, ignition et incendie.



ATTENTION : Lorsque l'appareil est tenu hors de fonctionnement pendant une longue période, décharger toute l'huile à partir du réservoir d'huile et du carburateur, et les garder à un endroit sec et net.

- Décharger tout le carburant à partir du réservoir d'huile et du carburateur d'après le procédé suivant :
 - 1) Enlever le couvercle du réservoir d'huile, et décharger le carburant complètement. S'il y a plusieurs matières étrangères restant dans le réservoir d'huile, les enlever complètement.
 - 2) Tirer le filtre de carburant de l'orifice de ravitaillement avec un fil métallique.
 - 3) Tirer la pompe d'amorçage jusqu'à ce que le carburant soit déchargé d'ici, et décharger le carburant venant du réservoir d'huile.
 - 4) Remettre le filtre dans le réservoir d'huile, et serrer fermement le couvercle du réservoir d'huile.
 - 5) Puis, continuer à faire fonctionner le moteur jusqu'à ce qu'il s'arrête.
- Enlever la bougie d'allumage, faire tomber plusieurs gouttes de l'huile pour moteur au travers du trou de la bougie d'allumage.
- Tirer doucement la poignée de démarrage de façon que l'huile pour moteur s'étende totalement sur le moteur, et poser la bougie d'allumage.
- Poser le couvercle sur la lame de coupe.
- Pendant entreposage, tenir la tige horizontale ou tenir l'appareil debout, gardant la lame de coupe orientée en haut. (Dans ce cas, faire attention à protéger l'appareil contre sa chute.) Ne jamais entreposer l'appareil en tenant le bout de la lame de coupe orientée en bas. L'huile lubrifiante peut se répandre.
- Garder l'huile déchargée dans un récipient spécial à l'ombre bien aérée.



Attention après entreposage de longue durée

Avant démarrage au bout d'arrêt de longue durée, prendre garde à remplacer l'huile (se référer à page 47) L'huile peut se détériorer pendant que l'appareil se met hors marche.

Localisation des défauts

Défaut	Système	Observation	Cause
Pas de démarrage du moteur ou démarrage difficile	Système d'allumage	Étincelle d'allumage présente	Défaut dans l'alimentation en carburant ou dans le système de compression. Défaut mécanique
		Pas d'étincelle d'allumage	Interrupteur d'arrêt actionné, défaut du fil ou court-circuit, bougie d'allumage ou connecteur défectueux, module d'allumage défectueux
	Alimentation en carburant	Réservoir de carburant rempli	Position incorrecte de l'étrangleur, carburateur défectueux, tête d'aspiration sale, tuyau d'alimentation en carburant plié ou en crassé
	Compression	Pas de compression au tirage	Joint d'étanchéité du fond du cylindre défectueux, soudures du carter endommagées, piston ou segments défectueux ou fuite par la fixation de la bougie d'allumage
Problèmes en démarrage à chaud	Défaut mécanique	Câble non enclenché	Ressort du câble cassé, pièces cassées à l'intérieur du moteur
		Réservoir rempli Étincelle d'allumage présente	Carburateur sale, le nettoyer
Le moteur démarre mais est immédiatement noyé	Alimentation en carburant	Réservoir rempli	Réglage de marche à vide incorrect, tête d'aspiration ou carburateur sale Orifice du réservoir de carburant bouché. Tuyau d'alimentation en carburant plié, câble ou interrupteur STOP défectueux
Performances insuffisantes	Plusieurs circuits sont peut-être affectés Simultanément.	Régime de marche à vide médiocre	Filtre à air sale, carburateur sale, conduit d'échappement du cylindre bouché

Article	Durée de marche								
		Avant marche	Après lubrification	Quotidien (10h)	30h	50h	200h	Arrêt/repos	P correspondant
Huile à moteur	Vérifier/Nettoyer	○							41
	Remplacer					○ ^{*1}			47
Pièces à serrer (boulons, écrous)	Vérifier	○							49
Réservoir à carburant	Nettoyer/Vérifier	○							—
	Evacuer le carburant						○ ^{*3}		50
Levier d'étranglement	Vérifier les fonctions		○						43
Interrupteur d'arrêt	Vérifier les fonctions		○						43
Lame de coupe	Vérifier	○		○					39
Rotation à petite vitesse	Vérifier/Ajuster			○					45
Filtre à air	Nettoyer			○					48
Bougie d'allumage	Vérifier			○					49
Conduite d'air de refroidissement	Nettoyer/Vérifier			○					49
Tuyau à carburant	Vérifier			○					49
	Remplacer						◎ ^{*2}		—
Graisse à carter	Remplir				○				49
Filtre à carburant	Nettoyer/ Remplacer					○			49
Espace entre soupape d'entrée d'air et soupape de déchargement d'air	Ajuster						◎ ^{*2}		—
Révision générale du moteur							◎ ^{*2}		—
Carburateur	Evacuer le carburant						○ ^{*3}		50

*1 Faire le remplacement premier après 20h de marche.

*2 Pour le contrôle de 200 heures de marche, s'adresser à l'agent du service après-vente habilité ou à un atelier des réparations.

*3 Après vidage du réservoir à carburant, continuer à faire fonctionner le moteur et évacuer le carburant dans le carburateur.

DEPANNAGE

Avant de faire une demande de réparations, vérifier un inconvénient par soi-même. S'il y a aucune anomalie, régler votre machine suivant la description de ce manuel. Ne jamais manipuler ou déposer aucune partie contrairement à la description. Pour les réparations, s'adresser à l'agent du service après-vente habilité.

Etat d'anomalie	Cause probable (fonctionnement irrégulier)	Remède
Le moteur ne démarre pas	Panne de la pompe d'amorçage	Pousser 7 à 10 fois
	Petite vitesse de tirage du câble de démarreur	Tirer fortement
	Manque de carburant	Remplir
	Colmatage du filtre à carburant	Nettoyer
	Tuyau à carburant plié	Redresser le tuyau à carburant
	Carburant détérioré	Un carburant détérioré laisse le démarrage plus difficile. Renouveler. (Remplacement recommandé: 1 mois)
	Aspiration excessive du carburant	Ajuster la rotation du levier d'étranglement de vitesse moyenne à la haute, et tirer la poignée de démarreur jusqu'à ce que le moteur démarre. Une fois que le moteur démarre, la lame de coupe commence à tourner. Faire attention surtout à la lame de coupe. Si le moteur ne démarre pas, déposer la bougie d'allumage, dessécher l'électrode, et les remonter comme ils sont d'abord. Puis, démarrer suivant les instructions.
	Bouchon déposée	Reposer fermement
	Bougie d'allumage tachée	Nettoyer
	Espace anormal de la bougie d'allumage	Ajuster l'espace
	D'après types d'anomalie de la bougie d'allumage	Remplacer
	Carburateur anormal	Faire une demande de contrôle et de maintenance.
	Système de commande anormal	Faire une demande de contrôle et de maintenance
Le moteur s'arrête toute de suite. Le moteur ne s'augmente pas	Réchauffage insuffisant	Faire le réchauffage
	Le levier de réglage est mis sur "CLOSE" même si le moteur est réchauffé.	Mettre sur "CLOSE"
	Colmatage du filtre à carburant	Nettoyer
	Filtre à air sale ou colmate	Nettoyer
	Carburateur anormal	Faire une demande de contrôle et de maintenance
	Système de commande anormal	Faire une demande de contrôle et de maintenance
La lame de coupe ne tourne pas ↓ Arrêter le moteur toute de suite	Ecrou lâche de serrage de la lame de coupe	Serrer fermement
	Rameaux accrochés par lame de coupe ou couvercle preventif de dispersion	Enlever les matières étrangères
	Système de commande anormal	Faire une commande de contrôle et de maintenance
Le bloc principal vibre anormalement. ↓ Arrêter le moteur toute de suite	Lame de coupe rompue, pliée ou usée	Remplacer la lame de coupe
	Desserrement de l'ecrou de serrement de la lame de coupe	Resserrer fermement
	Deplacement de la partie convexe de la lame de coupe et du raccord supportant de la lame de coupe	Reposer fermement
	Système de commande anormal	Faire une commande de contrôle et de maintenance
La lame n'arrête pas toute de suite ↓ Arrêter le moteur toute de suite	Grande vitesse de rotation au ralenti	Ajuster
	Fil d'étranglement déposé	Reposer fermement
	Système de commande anormal	Faire une commande de contrôle et de maintenance
Le moteur n'arrête pas ↓ Faire marcher le moteur au ralenti, et mettre le levier de réglage sur "CLOSE"	Connecteur déposé	Reposer fermement
	Système électrique anormal	Faire une commande de contrôle et de maintenance

Lorsque le moteur ne démarre pas après réchauffage :

S'il n'y a pas aucune anomalie pour les points de vérification, ouvrir le levier d'étranglement par un tier, et démarrer le moteur.

Muchas gracias por comprar la Desbrozadora/Cortabordes DOLMAR. Nos complace recomendarle el uso de la Desbrozadora/Cortabordes DOLMAR que es el resultado de un extenso programa de investigación desarrollado tras años de estudio y experiencia. Por favor lean el folleto que hace referencia con detalle a los diversos puntos que demuestran su excelente funcionamiento. Esto le ayudará a obtener el mejor resultado posible de su Desbrozadora/Cortabordes DOLMAR.



Lista de contenidos	Página
Simbolos	53
Instrucciones de seguridad	54
Datos Técnicos	58
Denominación de partes	59
Montaje del manillar	60
Montaje del protector	61
Montaje de la hoja de corte o cabezal de corte de nylon	62
Antes empezar el trabajo	63
Uso correcto de la máquina	65
Puntos relacionados con el manejo y la parada	65
Afilar la herramienta de corte	67
Instrucciones de Servicio	69
Almacenamiento	72

SIMBOLOS

Ud. Encontrará los siguientes simbolos en la lectura del manual de instrucciones.

	Lea el manual de instrucciones.		Utilizar protector para ojos y oidos (sólo para cortabordes).
	Tome precauciones y atenciones especiales.		Utilizar casco protector, protección para ojos y oidos (sólo para desbrozadora).
	Prohibido.		No utilizar cuchillas metálicas (sólo para cortabordes).
	Mantener distancia de seguridad.		Máxima velocidad de trabajo permitida.
	Peligro: Brozas bjetto volante.		Combustible (Gasolina)
	No fumar.		Encendido manual del motor.
	No acercar llamas.		Paro de emergencia.
	Deben utilizarse guantes protectores.		Primeros auxilios.
	Contragolpe.		Reciclable.
	Mantener el área de operación libre de personas y animales.		ON/encendido
			Off/Apagado

INSTRUCCIONES DE SEGURIDAD

Instrucciones generales

- Para asegurar un funcionamiento correcto, el usuario debe leer este manual de instrucciones para hacerse familiar con el funcionamiento de la Desbrozadora/Cortabordes. Los usuarios que no se informen suficientemente causarán riesgo para ellos mismos y otras personas debido a un funcionamiento inadecuado.
- Se recomienda prestar la Desbrozadora/Cortabordes únicamente a gente que demuestren experiencia en el uso de Desbrozadora/Cortabordes. Siempre entregar el manual de instrucciones.
- Los que utilizan la máquina por vez primera deben preguntar al vendedor las instrucciones básicas para familiarizarse con el manejo de un cortador motorizado.
- No se debe permitir el uso de la Desbrozadora/Cortabordes a niños y personas menores de 18 años. Las personas mayores de 16 años pueden, sin embargo, utilizar la máquina para aprendizaje únicamente, bajo supervisión de un monitor cualificado.
- Utilizar la máquina con el máximo cuidado y atención.
- Manejar la Desbrozadora/Cortabordes sólo si se encuentra en buena condición física. Realizar el trabajo con calma y cuidadosamente. El usuario debe aceptar su responsabilidad con otras personas.
- Nunca utilizar la Desbrozadora/Cortabordes después del consumo de alcohol o drogas o cuando se siente cansado o enfermo.

Uso intentado de la máquina

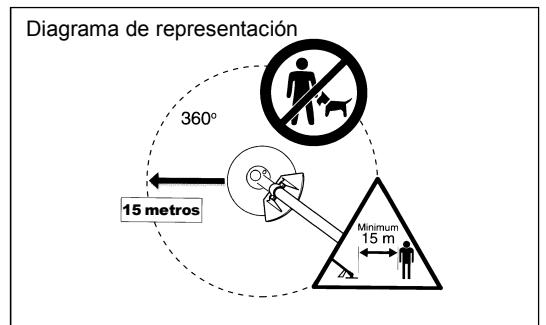
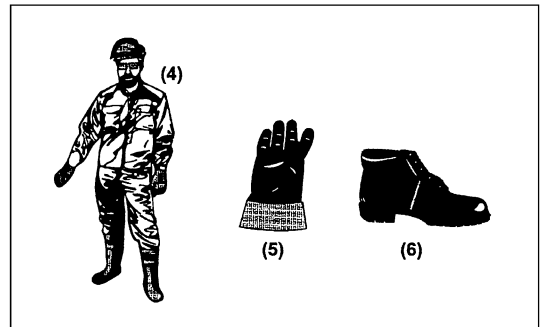
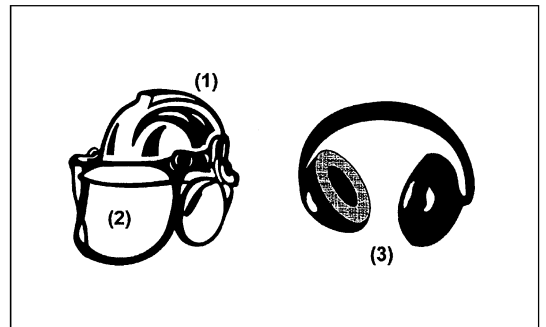
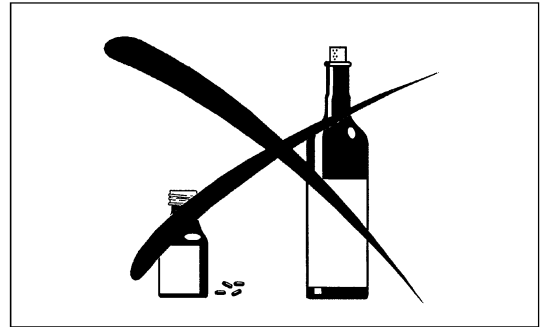
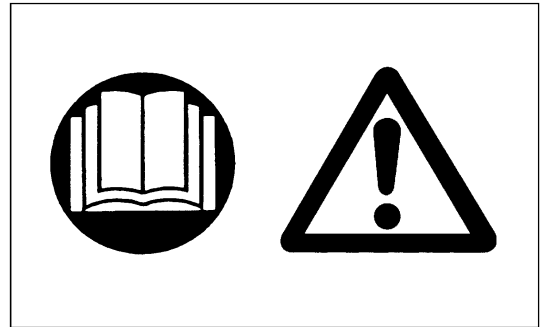
- La Desbrozadora/Cortabordes es intentada únicamente para cortar hierba, maleza, o arbustos. No se debe usar para cualquier otro propósito tales como canteado o cortado de seto ya que esto podría causar daños.

Equipo Personal de Protección

- La ropa utilizada debe ser funcional y adecuada. Por ejemplo, debe quedar ajustada, sin causar estorbo. No llevar joyas o ropa que puede quedar atrapada con matorrales o arbustos.
- Para evitar heridas en cabeza, ojos, manos, o pies, así como para proteger su oído, siguiente equipo y ropa de protección debe usarse durante el uso de la Desbrozadora/Cortabordes.
- Siempre llevar un casco usando se trabaja en el bosque. El casco protector (1) debe comprobarse a intervalos regulares y debe sustituirse como mínimo cada 5 años. Sólo utilizar cascos protectores aprobados.
- El visor (2) del casco (o gafas como alternativa) protegé la cara de astillas y piedras volantes. Durante el uso de la Desbrozadora/Cortabordes siempre llevar gafas o un visor para prevenir heridas en los ojos.
- Llevar un equipo protector del ruido adecuado para evitar daños en el oído (protectores de oídos (3), tapones de oídos etc.).
- Los monos de trabajos (4) protegen contra piedras y astillas volantes. Recomendamos marcadamente que el usuario lleve monos de trabajo.
- Guantes especiales (5) tabricados de cuero grueso son parte del equipo obligatorio y deben llevarse siempre durante el uso de la Desbrozadora/Cortabordes.
- Cuando se utilice la Desbrozadora/Cortabordes. Siempre debe llevarse calzado robusto (6) con suela antideslizante. Esto protegé contra heridas y asegura un caminar seguro.

Puesta en Marcha de la Desbrozadora/Cortabordes

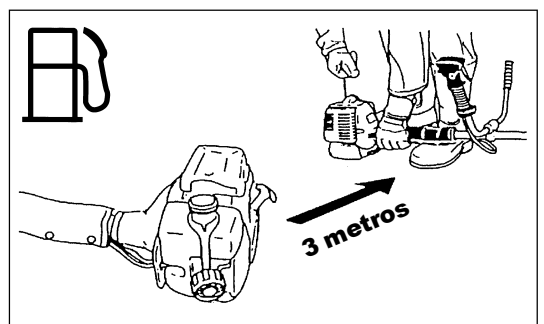
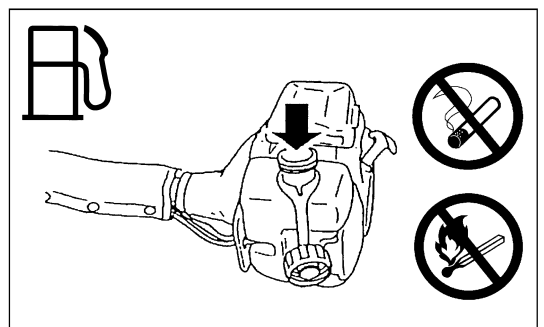
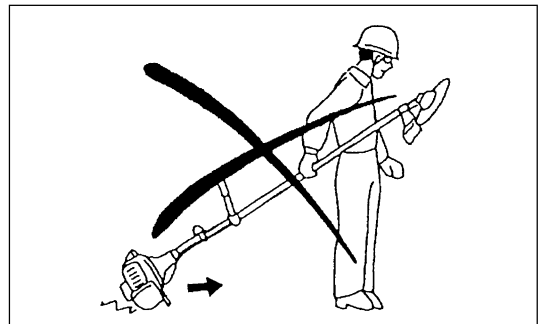
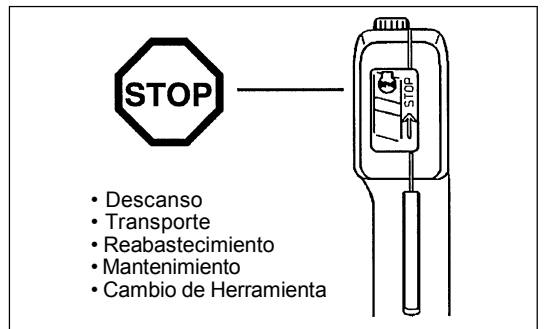
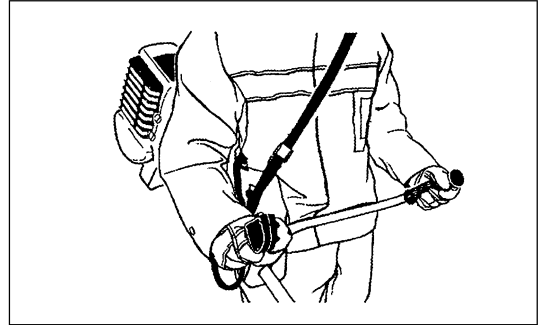
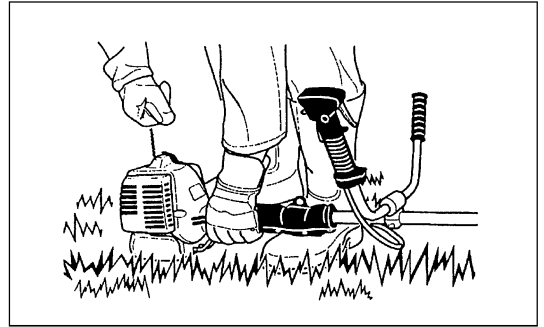
- Asegurarse que no hay niños o otras personas en un área de trabajo de 15 metros; también prestar atención a los animales cercanos al lugar de trabajo.
- Antes del uso, siempre comprobar que la Desbrozadora/Cortabordes está preparado para un funcionamiento seguro. Comprobar la seguridad de la herramienta de corte y de la palanca de control, para un trabajo fácil, y comprobar el funcionamiento adecuado del suguro de la palanca de control. La herramienta de corte no debe girar cuando el motor marche en vacío. Comprobar que los manillares están limpios y secos y la función del interruptor de encendido/apagado.



- Poner en marcha la Desbrozadora/Cortabordes sólo de acuerdo con las instrucciones. No utilizar otro procedimiento para poner en marcha el motor.
- Utilizar la Desbrozadora/Cortabordes las herramientas sólo para las aplicaciones que se especifican.
- Poner en marcha el motor únicamente cuando se ha realizado el ensamblaje completo. Sólo se permite el funcionamiento de la máquina después de colocar todos los accesorios adecuados.
- Antes de la puesta en marcha asegurarse que la herramienta de corte no está en contacto con objetos duros, tales como ramas, piedras, ...
- El motor debe apagarse inmediatamente si hay problemas de motor.
- Si la herramienta de corte tropieza con una piedra o objeto duro, debe apagarse la máquina inmediatamente e inspeccionar la herramienta de corte.
- Inspeccionar la herramienta de corte a intervalos cortos de tiempo (detección de grietas finas mediante el test de ruido de enroscado).
- Utilizar la máquina sólo con la correa para hombro que se incluye, que debe ajustarse adecuadamente antes de que la máquina esté en marcha. Es esencial que se ajuste la correa de acuerdo con la talla del usuario para evitar la fatiga que se produce durante el uso. Nunca sujetar la máquina con una mano durante el uso.
- Durante el uso siempre sujetar la Desbrozadora/Cortabordes con ambas manos. Siempre procurar una posición segura.
- Operar la máquina de forma que se evite la inhalación de los gases de escape. Nunca poner en marcha el motor en habitaciones cerradas (riesgo de envenenamiento por gas). El monóxido de carbono es un gas inodoro.
- Apagar motor cuando se descansa y cuando se deja la máquina sin atender, y colocarla en lugar seguro para prevenir el peligro para otras personas o el daño para la máquina.
- Nunca deje la máquina caliente sobre hierba seca o materiales combustibles.
- Las herramientas de corte deben estar siempre equipadas con un protector adecuado. Nunca manejar la máquina sin este protector.
- Todos los accesorios y equipos de seguridad proporcionados con la máquina deben utilizarse durante el uso.
- Nunca trabajar con el silenciador de escape averiado.
- Apagar el motor durante el transporte.
- Durante transportes de larga distancia debe utilizarse la protección del equipo que se incluye con la máquina.
- Procurar una posición segura de la Desbrozadora/Cortabordes durante el transporte por coche para evitar pérdidas de combustible.
- Cuando se almacena la Desbrozadora/Cortabordes , asegurarse que el tanque de combustible está completamente vacío.
- Cuando se descarga la Desbrozadora/Cortabordes del camión, nunca deje caer el Motor a la tierra, si no, ésto podrá dañar severamente el tanque de combustible.
- Salvo en el caso de emergencia, nunca deje caer o tirar la Desbrozadora/Cortabordes a la tierra, si no, ésto podrá dañar severamente la Desbrozadora/Cortabordes.
- Aparte completamente la unidad de la máquina del suelo sin falta cuando se traslada. Si se traslada restregando el tanque de combustible al suelo, hay un gran peligro de que se rompa el tanque provocando fuga del combustible, y eso pueda causar incendio.

Reabastecimiento

- Apagar el motor durante el reabastecimiento, mantenerse lejos de llamas y no fumar.
- Evitar el contacto de la piel con combustibles minerales. No inhalar vapores de combustibles. Siempre llevar guantes protectores durante el reabastecimiento. Cambiar y limpiar la ropa protectora a intervalos regulares.
- Tomar la precaución de no derramar el combustible o aceite para evitar la contaminación del suelo (protección del medio ambiente). Lavar la Desbrozadora/Cortabordes inmediatamente si se ha derramado combustible.
- Evitar el contacto del combustible con su ropa. Cambiar la ropa al instante si se ha derramado combustible sobre ella (peligro de muerte).
- Inspeccionar el tapón del combustible a intervalos regulares, asegurando que puede cerrar el depósito completamente.
- Apretar con cuidado el tornillo de cierre del tanque de combustible. Cambiar de lugar para encender el motor (por lo menos a 3 metros del lugar de reabastecimiento).
- Nunca llenar el depósito en habitaciones cerradas. Los vapores de combustible se acumulan a nivel del suelo (riesgo de explosiones).
- Sólo transportar y almacenar combustible en contenedores aprobados. Asegurarse que el combustible almacenado permanece fuera del alcance de niños.



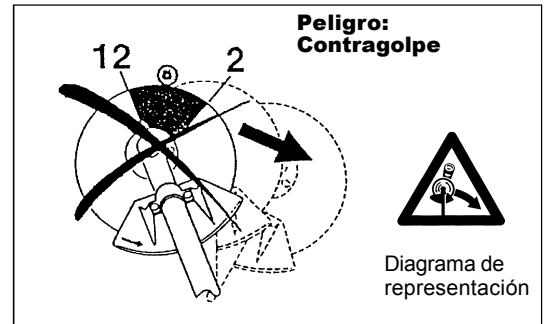
Método de trabajo

- Sólo utilizar la Desbrozadora/Cortabordes en buenas condiciones de luz y visibilidad.
- Durante el invierno, tomar precauciones en áreas resbaladizas o mojadas, hielo o nieve (riesgo de calda). Procurar siempre una posición segura.
- Nunca cortar por encima del hombro.
- Nunca subirse a una escalera y usar la Desbrozadora/Cortabordes.
- Nunca subirse a un árbol para trabajar con la Desbrozadora/Cortabordes.
- Nunca trabajar en terrenos inestables.
- Eliminar la arena, piedras, clavos etc. en el área de trabajo. Las partículas extrañas pueden dañar la herramienta de corte y pueden causar peligrosos contragolpes.
- Antes de empezar a trabajar, la herramienta de corte debe haber alcanzado la velocidad de trabajo.



Contragolpe

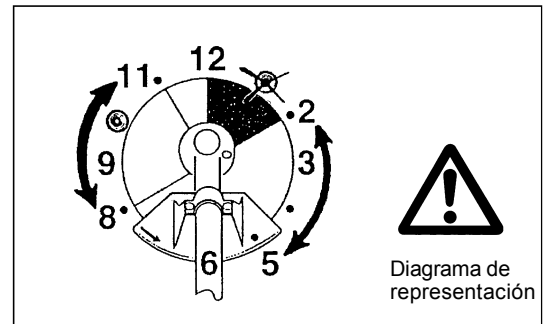
- Cuando se trabaje con la Desbrozadora, puede ocurrir el contragolpe inesperado.
- Se puede dar el caso particularmente cuando se trabaje en un segmento de la hoja de corte entre las 12 y las 2 del reloj.
- Nunca aplicar este segmento de la hoja a cuerpos sólidos tales como arbustos o árboles etc. con un diámetro mayor de 3 cms.
- La Desbrozadora será rechazada con violencia, con el consiguiente riesgo de heridas.
- Nunca utilizar la Desbrozadora dentro del segmento entre las 12 y 2 del reloj.



Prevención del Contragolpe (culatazo)

Para evitar el contragolpe(culatazo), observar lo siguiente:

- El trabajo con el segmento de cuchilla entre las 12 y las 2 del reloj presenta importantes peligros, especialmente cuando se utilizan hojas de corte metálicas.
- La operación de corte con el segmento de cuchilla entre las 11 y las 12 del reloj y entre las 2 y las 5 sólo debe ser realizada por operadores experimentados, y sólo bajo su propio riesgo.
- El corte fácil y casi sin contragolpe es posible con el segmento de cuchilla entre las 8 y las 11 del reloj.

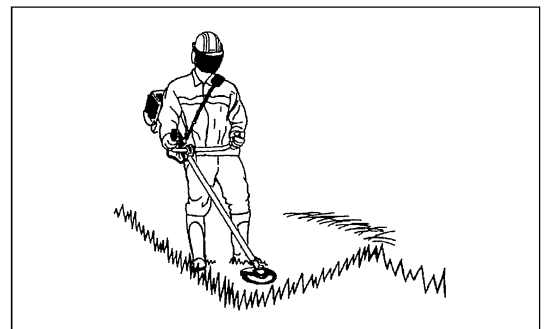


Herramientas de Corte

Emplear únicamente la herramienta de corte correcta para el trabajo en cuestión.

Cabezal de Nylon:

Diseñado exclusivamente para cortar a lo largo de muros, vallas, borde del césped, árboles, postes etc. (trabajo suplementario cortacéspedes). Realizar el trabajo mediante el balanceo del aparato en semicírculos de izquierda a derecha.



Cuchilla de Corte (Cuchilla Estrella (4 dientes), Cuchilla Eddy (8 dientes)):

Para el corte de materiales gruesos, tales como mala hierba, césped alto, matorrales, arbustos, bajo bosque, espesuras, etc. (máx diámetro 2 cms). Realizar el trabajo de corte balanceando el aparato uniformemente en semicírculos de derecha a izquierda (similar al uso de una guadaña).

Instrucciones de mantenimiento

- Las condiciones del aparato, en particular de la herramienta de corte, de las piezas protectoras, y de la correa deben ser comprobadas antes de empezar el trabajo. Atención especial debe prestarse a las hojas de corte que deben estar correctamente afiladas.
- Apagar el motor y quitar el conector de la bujía cuando se sustituya o afile la herramienta de corte o cuando se limpie el aparato o la cuchilla.

Nunca rectificar o soldar las herramientas de corte dañadas:

- Trabajar con la Desbrozadora/Cortabordes con el mínimo ruido y contaminación posible.
En particular, comprobar la colocación correcta del carburador.
- Limpiar la Desbrozadora/Cortabordes a intervalos regulares y comprobar que todas las tuercas y tornillos están bien sujetos.
- Nunca hacer mantenimiento ni almacenar la Desbrozadora/Cortabordes en la proximidad de llamas.
- Siempre almacenar la Desbrozadora/Cortabordes en habitaciones cerradas y con el tanque de combustible vacío.



Observar las instrucciones de prevención de accidentes que dictan los sindicatos y asociaciones oficiales y las compañías de seguros. No realizar modificaciones en la Desbrozadora/Cortabordes ya que pondrán en peligro su seguridad.

La realización del trabajo de mantenimiento o reparación por el usuario estará limitada a las actividades que se describen en el manual de instrucciones.

Cualquier otro trabajo debe ser realizado por el Agente de Servicio Autorizado.

Utilizar únicamente partes de recambio y accesorios genuinos suministrados por DOLMAR.

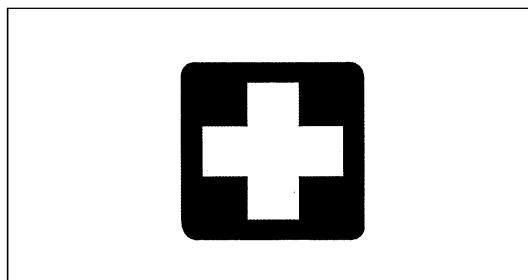
El uso de accesorios y herramientas que no están aprobados significa un incremento en el riesgo de accidentes. DOLMAR no aceptará ninguna responsabilidad por accidentes o daños causados por el uso de herramientas de corte sin protección o accesorios no aprobados.

Primeros Auxilios

Para el caso de accidente asegúrese que un botiquín de primeros auxilios está disponible cerca del lugar de trabajo. Reponer inmediatamente cualquier producto que se utilice del botiquín.

Cuando se pida ayuda, se debe proporcionar la siguiente información.

- Lugar del accidente.
- Qué ha ocurrido.
- Número de personas heridas.
- Clase de heridas.
- Su nombre.



Embalaje

La Desbrozadora/Cortabordes DOLMAR se entrega en dos cajas de cartón para prevenir daños durante el transporte.

El cartón es una materia prima básica y es por lo tanto reutilizable o válida para el reciclaje (reciclaje de papel usado).



Declaración de conformidad de la Unión Europea (EU)

El abajo firmante. Sr. D. Shigeharu Kominami, Rainer Bergfeld, autorizado por la oficina central de DOLMAR GmbH, Jenfelder Str. 38, 22045 Hamburg, Germany, declara que los equipos DOLMAR modelos :

Tipos: MS-250.4, MS-251.4

fabricados por la compañía Robin cumplen con los requisitos de salubridad y seguridad básicos aplicables a las directrices de la Unión Europea.

Directiva sobre Maquinaria de la Unión Europea 98/37/EG

Directiva EMC 89/336/EWG(modificó en 91/263/EWG, 92/31/EWG y 93/68/EWG).

Directivas contra los ruidos 2000/14/EC

Los puntos estándar más importantes aplicados para cumplir con los requisitos de las directrices anteriormente mencionadas de la Unión Europea fueron : EN11806, CISPR12, EN50082-1.

Documentación técnica: FUJI ROBIN INDUSTRIES LTD.
35 Ohoka, Numazu-City, Shizuoka-Pref. 410-8535 Japan.
Mitsunori Watanabe
Director General, Depto. Ingeniería

Poder de sonido garantido : 106 dB (MS-250.4)
115 dB (MS-251.4)

Poder de sonido medido : 102 dB (MS-250.4)
111 dB (MS-251.4)

Hamburg, 01.06.2005
Para DOLMAR GmbH

Shigeharu Kominami
Director Gerente

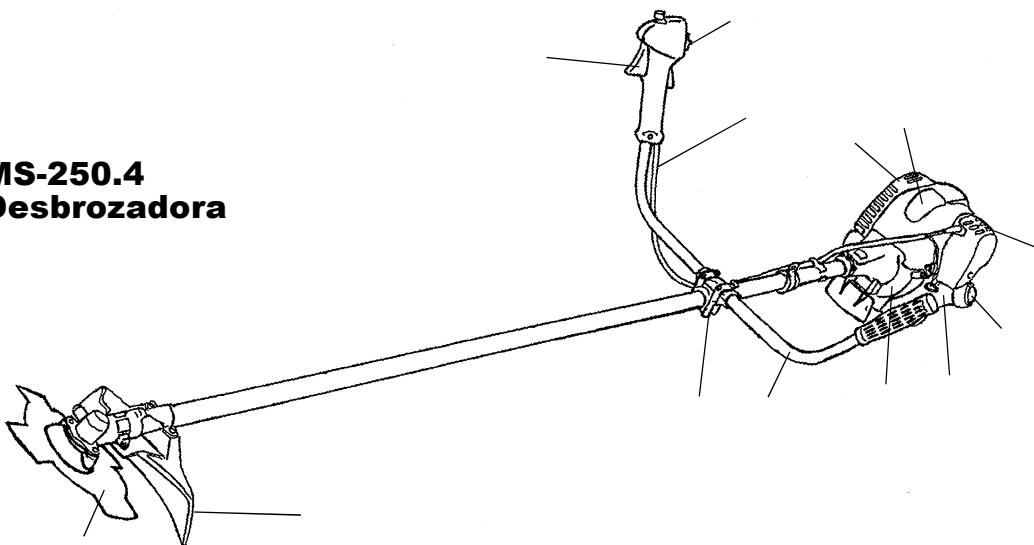
Rainer Bergfeld
Director Gerente

DATOS TÉCNICOS MS-250.4, MS-251.41

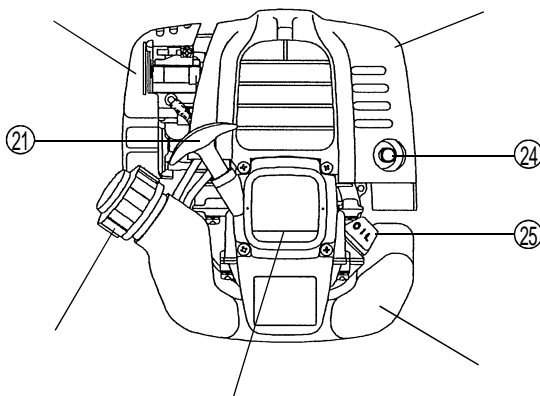
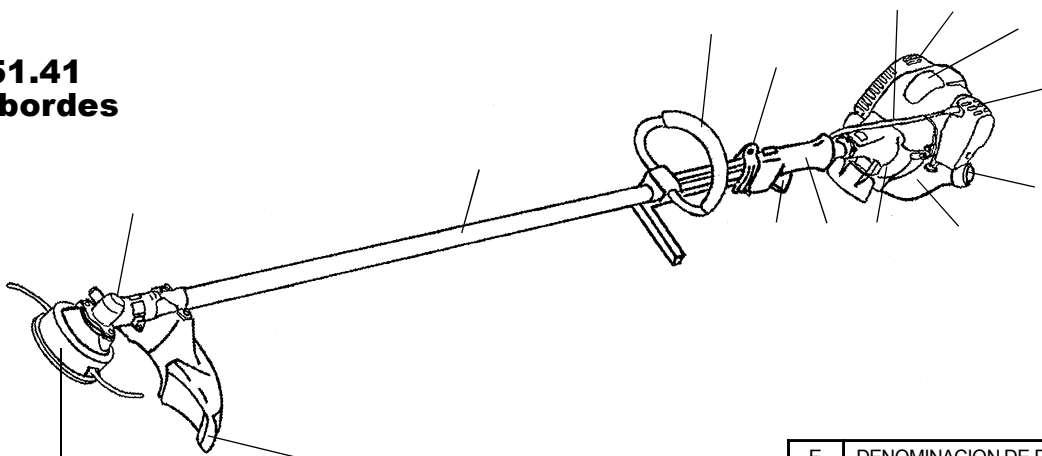
Modelo		MS-251.4		MS-250.4			
		Manillar cerrad		Manillar en U			
Dimensiones: largo x ancho x alto (sin hoja corte)		mm	1760x330x265		1760x600x405		
Peso (sin protector de plástico ni hoja de corte)		kg	5.2		5.4		
Volumen (tanque de combustible)		L	0.5				
Volumen (tanque de aceite)		L	0.08				
Desplazamiento del motor		cc	24.5				
Máximo rendimiento del motor		HP	0.885/7000 /min				
Velocidad del motor al máximo de revoluciones recomendada		/min	8500				
Máximo de revoluciones (correspondiente)		/min	6500				
Consumo máximo de combustible		kg/h	0.33				
Consumo máximo de combustible especificado		g/HPh	304				
Velocidad en vacío		/min	3000				
Velocidad de acoplamiento del embrague		/min	3750				
Carburador		tipo	WALBRO WYL				
Sistema de encendido		tipo	Electrónico				
Bujías		tipo	NGK CMR6A				
Separación del electrodo		mm	0.7 – 0.8				
Vibración según ISO 7916 ¹⁾	Manillar Derecho (mango trasero)	En Vacío	m/s ²	2.59		4.72	
		En Carrera o W.O.T.	m/s ²	6.27		4.7	
	Manillar Izquierdo (mango delante)	En Vacío	m/s ²	3.26		3.83	
		En Carrera o W.O.T.	m/s ²	7.24		7.56	
Nivel promedio de Presión de Ruido según ISO 7917 ¹⁾		dB	87.7		87.7		
Nivel Promedio de Potencia del Ruido según ISO 10884 ¹⁾		dB	97.7		97.7		
Combustible		Gasolina para automóviles					
Aceite del motor		SAE 10W-30 de clasificación API, clase SF o superior (para motores de 4 tiempos de automóviles)					
Relación de Engranajes		14/19					

DENOMINACIÓN DE PARTES

MS-250.4 Desbrozadora



MS-251.41 Cortabordes



E	DENOMINACION DE PARTES
1	Tanque de Combustible
2	Arrancador
3	Filtro de Aire
4	I-O Interruptor
5	Bujia
6	Silenciador de Salida
7	Caja del Embrague
8	Mango Trasero
9	Colgador
10	Manillar
11	Palanca de Control
12	Cable de Control
13	Caña
14	Protector
15	Caja de Engranajes/Cabezal
16	Agarre del Manillar
17	Cuchilla de Corte
18	Cabezal de Nylon
20	Tapón para llenado de combustible
21	Pomo de Arranque
24	Tubo de Escape
25	Bayoneta de nivel de aceite

MONTAJE DEL MANILLAR

PRECAUCIÓN: Antes de realizar cualquier trabajo con la Desbrozadora/Cortabordes, apagar el motor y separar el conector de la bujía. Siempre llevar guantes!

PRECAUCIÓN: Arrancar la Desbrozadora/Cortabordes sólo después de haberlo montado completamente.

Para máquinas con manillar en U:

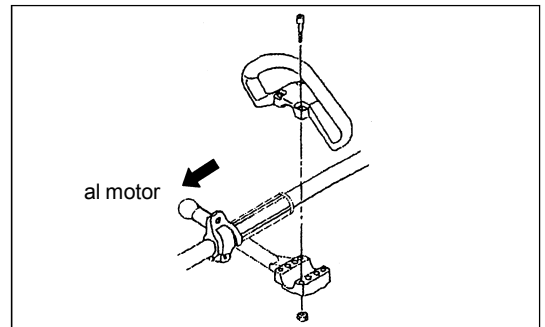
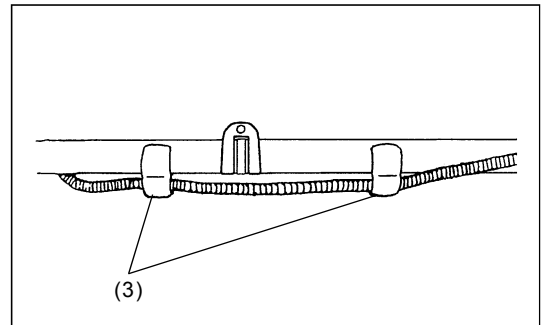
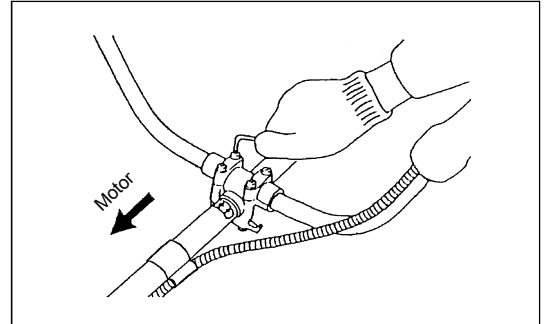
- Insertar la barra del manillar en el soporte del manillar, asegurando que el lomo del soporte encaja bien con el agujero del manillar.
- Cuando la barra del manillar esté en su lugar, apretar los 4 tornillos (M5 x 25).

NOTA: Asegurarse que los tornillos quedan apretados, pero no demasiado.

- Fije el cable de control (junto con el cable de puesta a tierra) en el manubrio empleando una dos presilla (3).
- Evitar cualquier tendencia del cable de control a formar un lazo encima de la barra del manillar.

Para máquinas con manillar en bucle

- Fije una barrera en el lado izquierdo de la Desbrozadora/Cortabordes junto con el mango para que el operador mantenga la protección.
- No acier que el manillar bucle a la empuñadura. Mantenga por lo menos una distancia de 25cm entre el mango y la empuñadura. (El color diferente es provisto por esa finalidad.)



MONTAJE DEL PROTECTOR



Para satisfacer las normas de seguridad aplicables, únicamente deben utilizarse las combinaciones herramienta/protector que se indican en la tabla.

Asegúrese que se utilizan hojas de corte o cabezales de Nylon DOLMAR.

- La hoja de corte debe estar bien pulida, sin grietas o daños.
- Si la hoja golpea una piedra durante el uso, parar el motor y comprobar el estado de la hoja inmediatamente.
- Si la cuchilla de corte golpea contra una piedra durante el uso, pare el motor y verifique el cabezal de la cortadora de nylon inmediatamente.

PRECAUCIÓN: Un protector adecuado debe ser instalado siempre, para su propia seguridad y para cumplir con las normas de prevención de accidentes. No se permite la utilización del equipo sin el protector en su lugar.

Para MS-250.4

- El diámetro exterior de la cuchilla debe ser 230mm (9-1/16"). No utilizar nunca cuchillas que excedan 230mm de diámetro exterior.

Para MS-250.4, MS-251.4

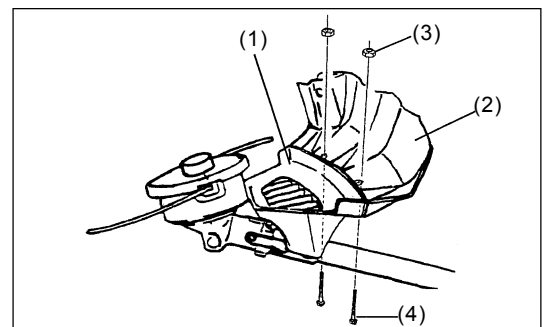
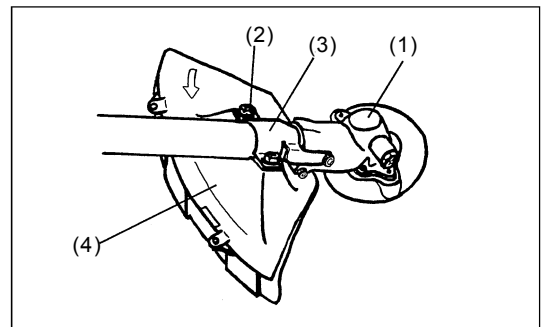
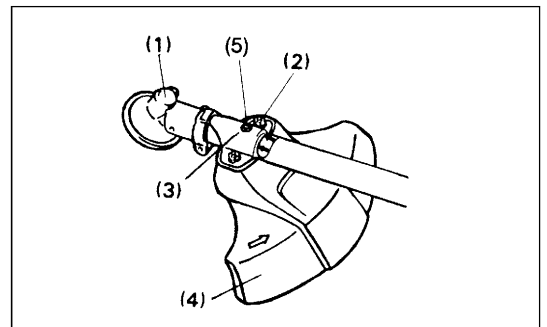
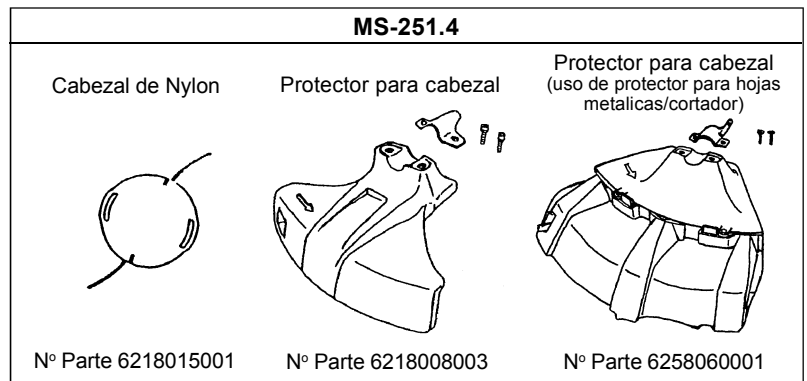
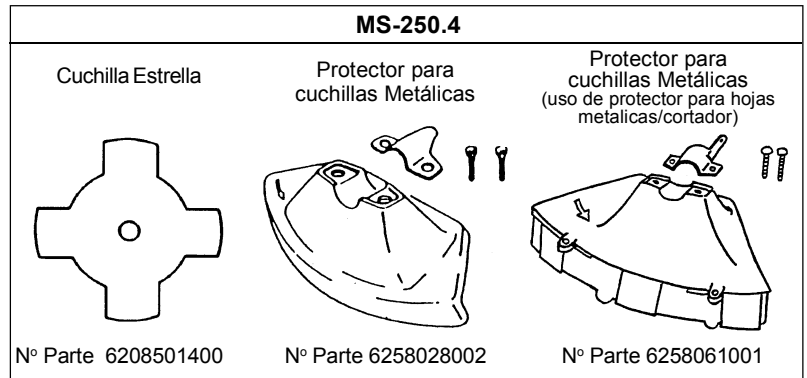
- Instalar la abrazadera (3) en la barra de forma que la proyección de la abrazadera (3) se inserte en la apertura entre la caja de engranajes (1) y la barra. Fijar el protector (4) con los tornillos para instalación M6 x 30 (2) y tornillo M5 x 8 (5).

USO DE PROTECTOR PARA HOJAS METALICAS/CORTADOR DE CUERDA

- Cuando se usa la hoja metálica, fije el protector (4) a la abrazadera (3) mediante dos pernos M6 x 30 (2).

Nota: Fija los pernos derecho y izquierdo igualmente de modo que sea constante el intersticio entre la abrazadera (3) y el protector (4). En el caso contrario, el protector no funcionará a veces según los instrucciones.

- Cuando se usa el cortador de cuerda, inserte el protector (2) en el protector (1) y fíjelo con dos tornillos (4) y dos tuercas (3).



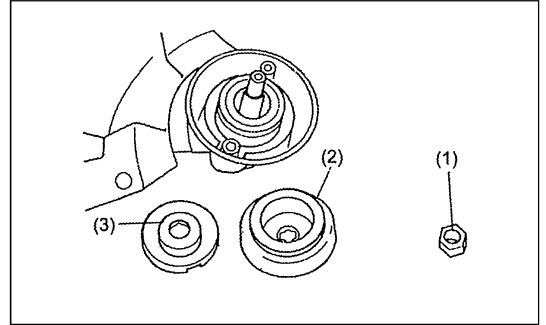
MONTAJE DE LA HOJA DE CORTE O CABEZAL DE CORTE DE NYLON

Poner la máquina al revés para sustituir la hoja de corte con facilidad.



Para MS-250.4, MS-251.4

- Insertar la llave hex en el agujero de la caja de engranajes y girar la arandela del receptor (3) hasta que quede fijada en la llave o el eje quede cerrado.
- Aflojar la tuerca (1) (rosca a mano izquierda) con la llave de cubo y quitar la tuerca (1) y la arandela de abrazadera (2).

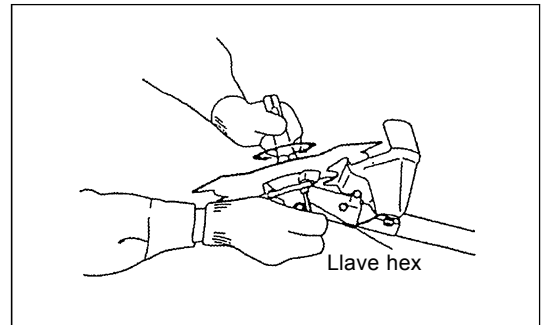


Para MS-250.4 with the hex wrench still in place.

- Montar la cuchilla sobre el eje de forma que la guía de la arandela del receptor (3) se encaje en el agujero de la cuchilla. Instalar la arandela de abrazadera (2) y fijar la cuchilla con la tuerca (1).
[Momento de tensión: 13 - 23 N-m]

NOTA: Siempre utilizar guantes cuando se manipule la hoja de corte.

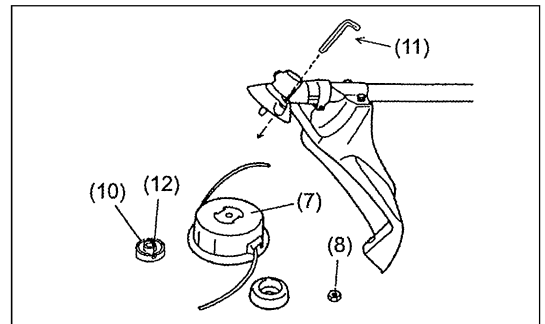
NOTA: La tuerca fijadora de la hoja de corte (con arandela de resorte) es una pieza consumible. Cuando cualquier desgaste o deformación aparezca en la arandela de resorte, reemplace la tuerca.



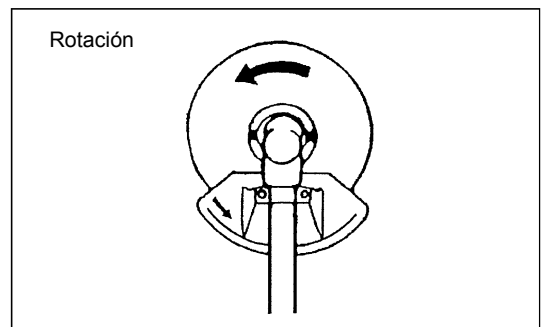
Montaje de la cabeza de corte de nylon

Para el MS-251.4

- Para instalar la cabeza de corte de nylon (7), quite la tuerca de apriete (8).
- Introduzca la llave de vaso hexagonal (11) a través del agujero de la caja de engranajes y gire la arandela de soporte hasta que quede bloqueada en su ranura (12) (o hasta que el eje quede bloqueado).
- Luego atomille la cabeza de corte de nylon en el eje girandola hacia la izquierda.
- Quite la llave de vaso hexagonal.



- Asegúrese de que la hoja de corte esté colocada con la parte derecha hacia arriba.



ANTES EMPEZAR EL TRABAJO

INSPECCIÓN Y REABASTECIMIENTO DE ACEITE DE MOTOR

- Haga lo siguiente con el motor frío.
- Manteniendo el motor nivelado, saque la bayoneta de nivel de aceite y confirme que el nivel del aceite está entre las marcas de límite inferior y superior.
Cuando hay poco aceite, de modo que la bayoneta de nivel solamente toca el aceite con su punta, y especialmente cuando la bayoneta está insertada en el carter sin enroscar (Fig. 1), eche aceite por el orificio de reabastecimiento (Fig. 2).
- Para su referencia, debe reabastecerse aceite cada 10 horas (10 veces ó 10 tanques de aceite de reabastecimiento).
- Si ha cambiado el color del aceite o tiene impurezas, cámbielo. (Consulte la página 69 referente al intervalo y al método de reabastecimiento.)

Aceite recomendado : Aceite SAE 10W-30 de clasificación API, clase SF o superior (para motores de automóviles de 4 tiempos)

Volumen de aceite : 0.08 L aproximadamente.

Nota : Si el motor no es puesto derecho, el aceite puede entrar en todo el motor con reabastecimiento excesivo.
Si el aceite esta reabastecido más del límite, el aceite puede ensuciarse o prender fuego con humo blanco.

Punto 1 de reabastecimiento de aceite: bayoneta de aceite

- Elimine el polvo y la suciedad de los alrededores del orificio de reabastecimiento y saque la bayoneta de nivel de aceite.
- No ensucie la bayoneta de nivel con arena o polvo. Si lo hace, la arena y el polvo que se han adherido a la bayoneta de nivel causarán una circulación irregular del aceite y se desgastarán las piezas del motor, lo que causará problemas de funcionamiento.
- Una manera de conservar la bayoneta limpia es insertarla por su asa en la cubierta del motor (Fig. 3).

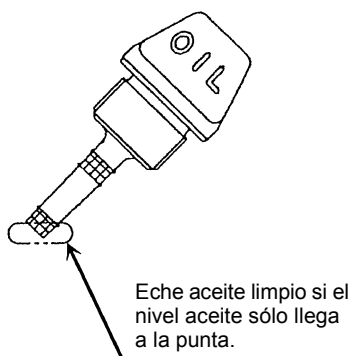


Fig.1

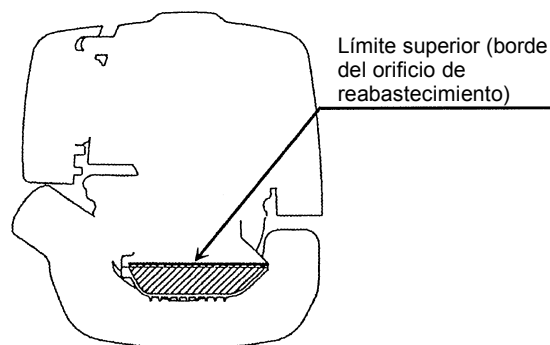


Fig.2

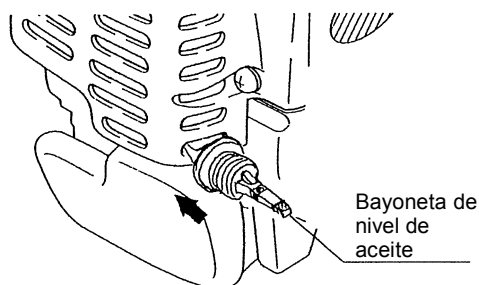
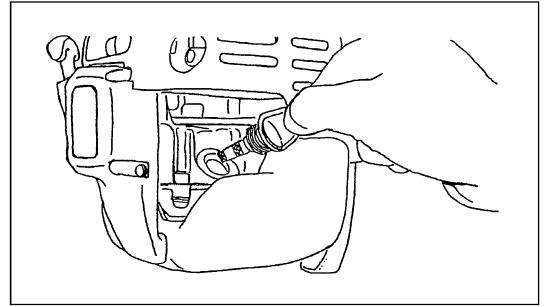
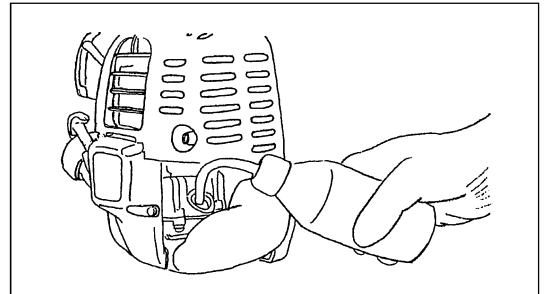


Fig.3

(1) Coloque el motor en posición nivelada y saque la bayoneta de nivel de aceite.



(2) Eche aceite hasta el borde del orificio de reabastecimiento. (Consulte la Fig. 2 de la página anterior.)
Suministre el aceite usando la botella de reabastecimiento de lubricante.



(3) Apriete firmemente la bayoneta de nivel. Un apriete insuficiente puede provocar fugas de aceite.

Punto 2 de reabastecimiento de aceite: Cuando se derrame aceite

–Si el aceite se derrama entre el tanque de combustible y la unidad principal del motor, el aceite será aspirado por el orificio de admisión de aire de refrigeración, y contaminará el motor. Asegúrese de limpiar el aceite que se haya derramado antes de utilizar esta máquina.

REABASTECIMIENTO DE COMBUSTIBLE

Manipulación del combustible

Es necesario manipular el combustible con mucho cuidado. El combustible puede contener sustancias similares a disolventes. El reabastecimiento del combustible debe hacerse en una sala bien ventilada o al aire libre. Nunca inhale el vapor de combustible y no permita que le salpique combustible. Si toca repetidamente el combustible o durante un largo período de tiempo, se le secará la piel y puede producir enfermedades de la piel o alergia. Cuando entre aceite en los ojos, lávese los ojos con agua fresca. Consulte con un médico si se le irritan los ojos.

Período de almacenamiento del combustible

El combustible debe utilizarse dentro de un período de 4 semanas, incluso cuando se almacene en un recipiente especial en un área sombreada y bien ventilada.

Cuando no se utilice un recipiente especial o si éste no está cubierto, el combustible puede deteriorarse en un día.

ALMACENAJE DE LA MÁQUINA Y DEL TANQUE DE REABASTECIMIENTO

- Conservar la máquina y el tanque en lugar fresco libre de luz directa.
- Nunca conservar el combustible en la cabina o el baúl.

Combustible

El motor es de cuatro tiempos. Asegúrese de utilizar gasolina normal o especial para automóviles.

Puntos relacionados con el combustible

- Nunca use gasolina mezclada con aceite de motor. Si lo hace se producirá una excesiva acumulación de carbonilla u ocurrirán problemas mecánicos.
- El uso de un combustible deteriorado puede producir irregularidades en el arranque.

Reabastecimiento

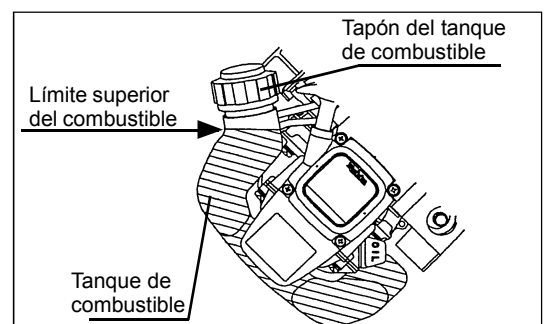
AVISO: LOS ARTÍCULOS INFLAMABLES ESTÁN ESTRICTAMENTE PROHIBIDOS

Gasolina utilizada: Gasolina para automóviles

- Afloje el tapón del tanque un poco de manera que no haya diferencia con la presión atmosférica.
- Quite el tapón del tanque y eche combustible al tiempo que descarga el aire inclinando el tanque de combustible, de manera que el orificio de reabastecimiento quede orientado hacia arriba. (Nunca eche combustible hasta que su nivel llegue al orificio de reabastecimiento.)
- Apriete firmemente el tapón del tanque después del reabastecimiento.

Si hay algún defecto o daño en el tapón del tanque, sustituirlo.

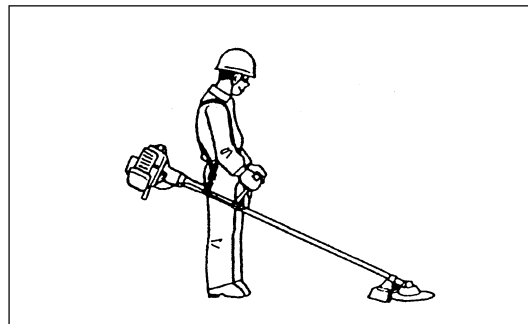
El tapón del tanque, que es una pieza de consumo, debe ser renovado cada los dos años.



USO CORRECTO DE LA MÁQUINA

Colocación de la correa para el hombro.

–Ajustar la longitud de la correa de forma que la hoja de corte quede paralela al suelo.

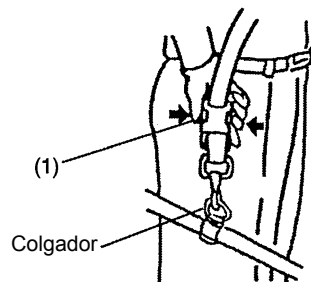


Separación

Para MS-251.4

–En caso de emergencia, empuje las muescas (1) en ambos lados, y usted puede separar la máquina de usted. Tomar precauciones extremas para mantener el control de la máquina. No permitir que la máquina se desvía hacia usted o alguien situado cerca.

ADVERTENCIA: Un fallo en mantener el completo control de la máquina puede causar heridas corporales muy graves o la muerte.

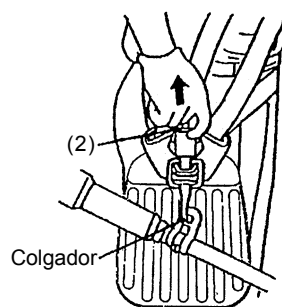


Para MS-250.4

–En caso de emergencia, separe la máquina de su cuerpo tirando de la palanca para separación de emergencia (2) hacia arriba con mucha fuerza pasando sus dedos por ella.

Tomar precauciones extremas para mantener el control de la máquina. No permitir que la máquina se desvía hacia Ud. o alguien situado cerca.

ADVERTENCIA: Un fallo en mantener el completo control de la máquina puede causar heridas corporales muy graves o la muerte.



PUNTOS RELACIONADOS CON EL MANEJO Y LA PARADA

!Observar las normas de prevención de accidentes aplicables;

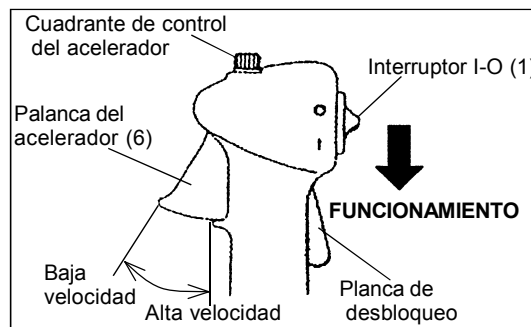
ARRANQUE

Situarse a una distancia mínima de 3 metros del lugar de reabastecimiento. Colocar la Desbrozadora/Cortabordes en una zona de terreno limpio, tomando cuidado de que la herramienta de corte no entre en contacto con el suelo o cualquier otro objeto.



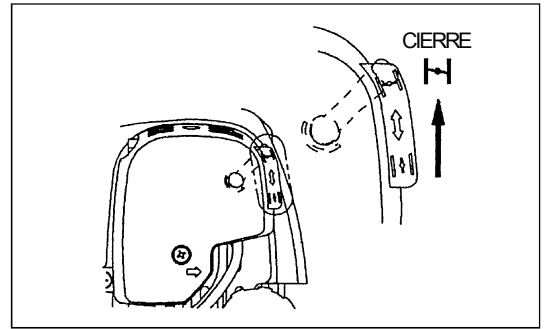
A: Arranque en frío:

1) Coloque la máquina sobre una superficie plana.

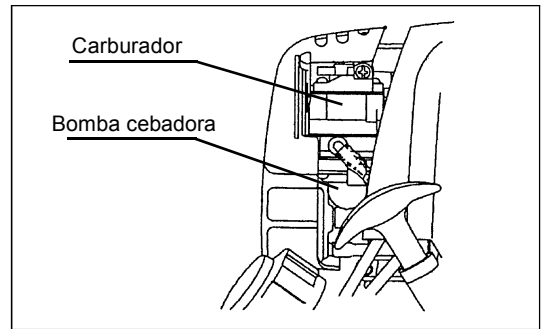


Máquina con manillar U ó bucle

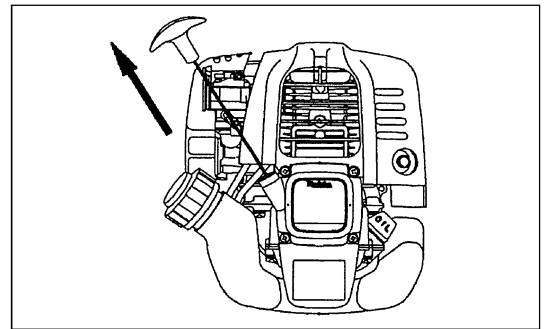
- 1) Coloque el interruptor I-O (1) en la posición OPERATION.
- 2) Palanca de embrague
Cierre la palanca del embrague.
Apertura del embrague:
 - Cierre plena cuando hace frío o el motor está frío.
 - Apertura plena o intermedia al arrancar después de haber usado la máquina.



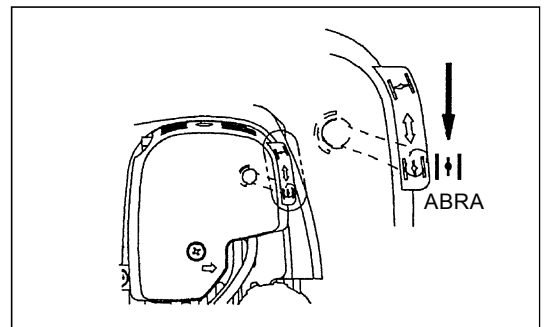
- 3) Bomba cebadora
Continúe empujando la bomba cebadora hasta que entre combustible en la misma. (En general, el combustible entra en la bomba cebadora después de empujar 7 a 10 veces.)



- 4) Arrancador de cordón
 - Tire suavemente del asa de arranque hasta que se sienta una resistencia (punto de compresión). Luego, retorne el asa de arranque y tire con fuerza.
 - Nunca tire hasta el límite del cordón. Cuando se tire del asa de arranque, no la suelte inmediatamente. Sujete el asa de arranque hasta que vuelva a su posición original.



- 5) Palanca de estrangulación
Abra la palanca de estrangulación después de que el motor haya arrancado.
 - Abra la palanca de estrangulación progresivamente al tiempo que comprueba el funcionamiento del motor. Asegúrese de abrir la palanca de estrangulación plenamente al final.
 - En tiempo frío o cuando el motor está frío, nunca abra súbitamente la palanca de estrangulación. De hacerlo, el motor puede pararse.



- 6) Calentamiento
Deje que el motor se caliente durante 2 ó 3 minutos.

Note: –Si extrae la manivela de arranque con demasiada repetición cuando la palanca del estrangulador se mantiene en la posición "arranque", se pone en marcha con mucha dificultad debido a que se respira demasiado combustible.
–Si se respira demasiado combustible, desmonte la bujía de encendido, y haga escapar el combustible sobrado con repetida extracción lenta de la manivela de arranque. Asimismo, seque el electrodo de la bujía de encendido.

Precauciones durante la operación:

Si la palanca de la mariposa de gases se abre completamente en operación sin carga, la rotación del motor se elevará a 10.000 min⁻¹ o más. Nunca operar el motor a una velocidad más alta que la requerida y mantenerse a una velocidad aproximada de 6000-8000 min⁻¹

B: Arrancar después de la operación de calentamiento

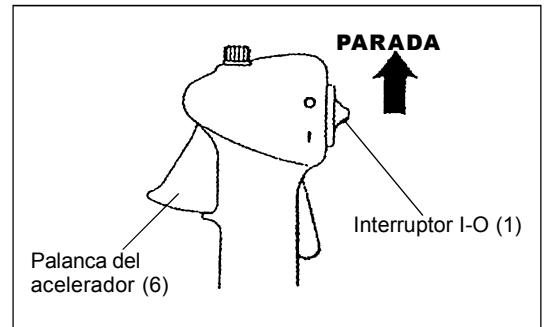
- 1) Presione la bomba cebadora repetidamente.
- 2) Mantenga la palanca de control en la posición de marcha en vacío.
- 3) Tire el arrancador de reculada con fuerza.
- 4) Si fuera difícil arrancar el motor, abra el acelerador 1/3 aproximadamente. Preste atención a la cuchilla de corte, porque puede girar.

Cuidado en la operación

Si el motor se maneja al revés, humo blanco puede salir del silenciador del escape.

Paro

- 1) Soltar la palanca de control completamente y cuando las revoluciones del motor disminuyan, Coloque el interruptor I-O en la posición STOP. El motor parará.
- 2) Tenga buena nota de que el cabezal de corte no puede parar inmediatamente y hágalo ir más despacio de forma suficiente.

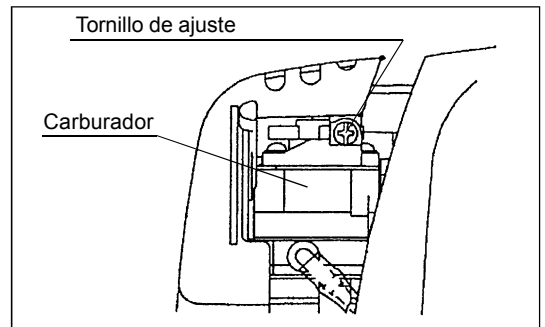


AJUSTE DEL GIRO A BAJA VELOCIDAD (RALENTÍ)

Cuando sea necesario ajustar el giro a baja velocidad (ralentí), use el tornillo de ajuste del carburador.

COMPROBACIÓN DEL GIRO A BAJA VELOCIDAD

- Ajuste el giro a baja velocidad a 3.000 min⁻¹.
- Si fuera necesario cambiar la velocidad de giro, regule el tornillo de ajuste (en la figura de la derecha) usando un destornillador Philips.
- Gire el tornillo de ajuste a la derecha para aumentar la velocidad del motor. Gírelo a la izquierda para disminuir la velocidad.
- El carburador está ajustado antes del envío. Si fuera necesario reajustarlo, póngase en contacto con un Agente de Servicio Autorizado.



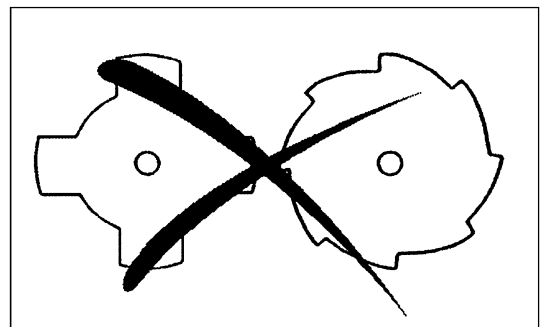
AFILAR LA HERRAMIENTA DE CORTE



PRECAUCIÓN: Las herramientas cortantes que se mencionan antes sólo deben ser afiladas con un equipo autorizado. La operación de afilado manual provocará desequilibrios de la herramienta causando vibraciones y daños del equipo.

- Cuchilla (Estrella (4 dientes), Eddy (8 dientes)). Un afilado y equilibrado experto será proporcionado por el Agente de Servicios Autorizado.

NOTA: Para prolongar la vida de la cuchilla, puede girarse una vez, hasta que ambos filos se despunten.



CABEZAL DENYLON

El cabezal de Nylon es un cabezal dual de cuerda que puede trabajar automáticamente y con mecanismo de tope y avance. El cabezal se alimentará automáticamente con la longitud adecuada de cuerda según los cambios de fuerza centrífuga causado por un aumento o disminución de las revoluciones. Sin embargo, para cortar el césped blando de forma eficiente, hacer topar el cabezal con el suelo para extraer cuerda adicional como se indica en la siguiente sección de operaciones.

Operación

- Aumentar la velocidad del cabezal de Nylon hasta unas 6000 min⁻¹. La velocidad baja (por debajo de 4800 min⁻¹) no será útil, la cuerda de Nylon no será extraída suficientemente a baja velocidad.
- El área más efectiva de corte se indica de forma sombreada.

- Si la cuerda de Nylon no se alimenta automáticamente, hacer lo siguiente.
1. Soltar la palanca de la mariposa de gases para hacer marchar el motor en vacío y apretar completamente la palanca de la mariposa de gases. Repetir hasta que la cuerda de Nylon salga hasta la longitud adecuada.
 2. Si la curda de Nylon demasiado corta para alimentarse automáticamente según lo xplicado, golpear el botón del cabezal contra el suelo para alimentar la cuerda de Nylon.
 3. Si la cuerda de Nylon no sale con lo explicado en 2, sustituir la cuerda de Nylon según el procedimiento que se explica a continuación en "sustitución de la cuerda de Nylon".

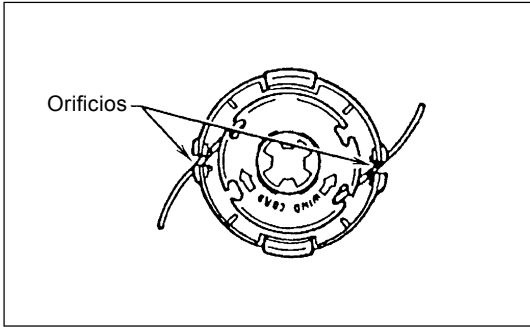
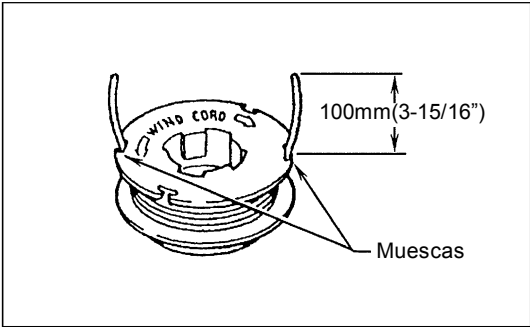
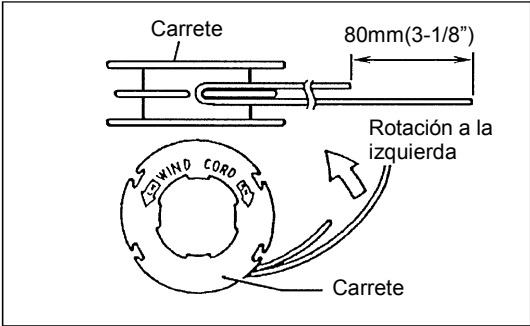
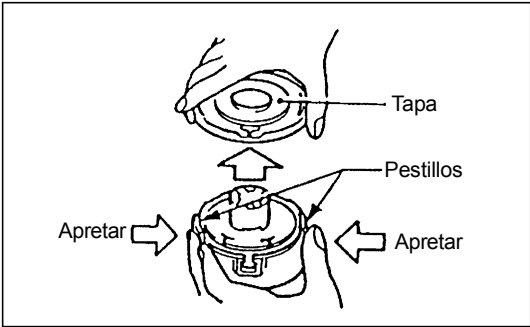
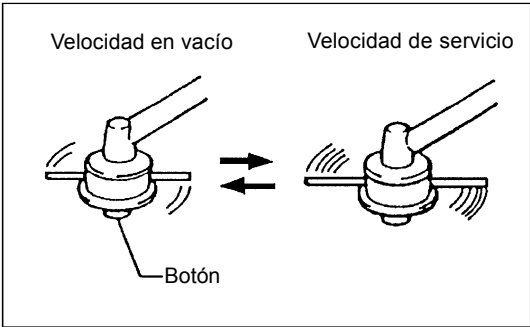
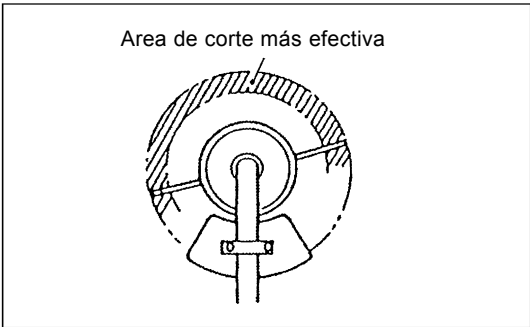
Sustitución del cabezal de Nylon

- Primero, parar el motor.
- Apretar los pestillos de la caja hacia el interior para levantar la tapa; quitar el carrete.

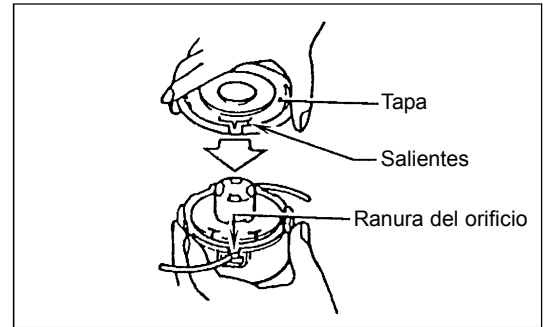
- Enganchar el centro de la nueva cuerda de Nylon en la muesca del centro del carrete, dejando que uno de los extremos de la cuerda mida unos 80mm (3-1/8") más que el otro.
- Enrollar ambos extremos firmemente alrededor del carrete en la dirección de rotación del cabezal (a mano izquierda indicado con LH y a mano derecha indicado con RH en el lateral del carrete).

- Enrollar la totalidad excepto unos 100mm (3-15/16") de la cuerda, dejando los extremos temporalmente enganchedos a través de una de las muescas del carrete.

- Montar el carrete en la caja de forma que los surcos y protuberancias del carrete encajen con los de la caja. Mantener el lado del carrete con letras visible (arriba). Ahora, desenganchar los sxtremos de la cuerda de su posición temporal y alimentar las cuerdas a través de los orificios hacia el exterior.



- Posicionar los salientes del interior de la tapa sobre las ranuras de los orificios. Presionar la tapa firmemente sobre la caja para asegurarla.



INSTRUCCIONES DE SERVICIO

PRECAUCIÓN: Antes de realizar cualquier trabajo con la Desbrozadora/Cortabordes, siempre apagar el motor y sacar la tapa de la bujía (ver "comprobación de la bujía"). Siempre usar guantes protectores.

Para asegurar una larga vida y evitar cualquier daño al equipo, las siguientes instrucciones de servicio deben realizarse a intervalos regulares:

Comprobación y mantenimiento diarios

- Antes de trabajar, comprobar que no hay tornillos sueltos o que faltan piezas. Particularmente, revisar que la cuchilla o cabezal de Nylon están bien sujetas.
- Antes de trabajar, siempre comprobar que el paso de aire refrigerante y las aletas de los cilindros no están obturadas. Limpiarlos si es necesario.
- Realizar el siguiente trabajo diariamente después del uso:
 - Limpiar la Desbrozadora/Cortabordes externamente y revisar si hay daños.
 - Limpiar el filtro de aire. Cuando se trabaje en condiciones de mucho polvo, limpiar el filtro varias veces al día.
 - Comprobar que la cuchilla o el cabezal de Nylon no están dañados y comprobar que estén bien montados.
 - Comprobar que hay una diferencia suficiente entre la velocidad en vacío y de funcionamiento para asegurar que la herramienta de corte permanece quieta cuando el motor marcha en vacío. Si es necesario reducir la velocidad en vacío. Si en velocidad inferior a la marcha en vacío la cuchilla sigue girando, consulte con su Agente de Servicio Autorizado.
- Comprobar el funcionamiento del interruptor I-O la palanca de cierre, la palanca de la mariposa de gases y el botón de cierre.

CAMBIO DEL ACEITE DEL MOTOR

El aceite del motor que se ha deteriorado acortará sustancialmente la duración de las piezas deslizantes y giratorias. Asegúrese de comprobar el período de recambio y la calidad del aceite.



ATENCIÓN: En general, el motor y el aceite siguen calientes después de pararse el motor. Cuando cambie el aceite, confirme que el motor y el aceite se han enfriado. Si no lo hace puede quemarse.

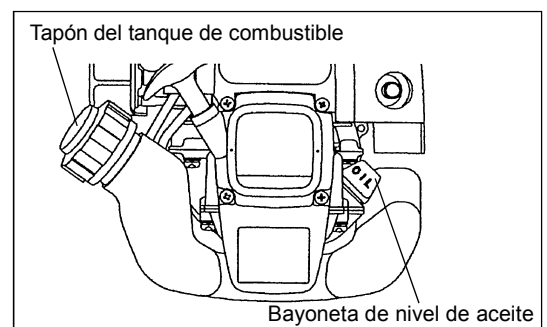
Nota: Si el aceite es suministrado más del límite, puede ensuciarse o puede prender fuego con humo blanco.

Intervalo de recambio: Inicialmente, cada 20 horas de funcionamiento y posteriormente cada 50 horas de funcionamiento.

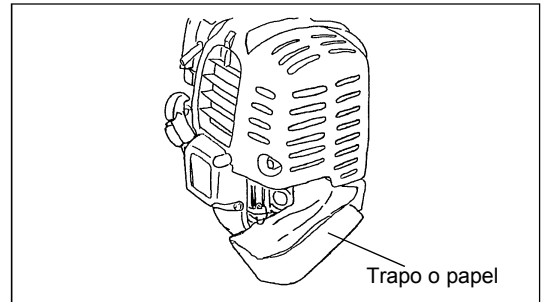
Aceite recomendado: Aceite SAE 10W-30 de clasificación API, clase SF o superior (para motores de automóviles de 4 tiempos)

Haga lo siguiente durante el recambio del aceite.

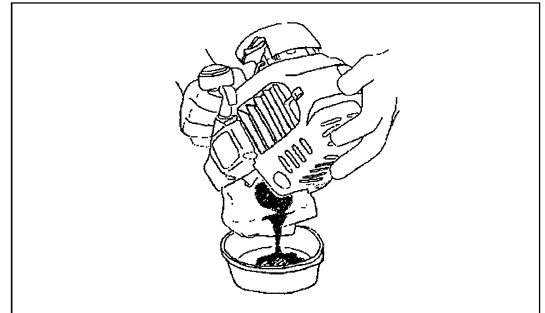
- 1) Confirme que el tapón del tanque está apretado firmemente.
- 2) Saque la bayoneta de nivel. No manche la bayoneta con suciedad o polvo.



3) Coloque un trapo o papel cerca del orificio de reabastecimiento del aceite.

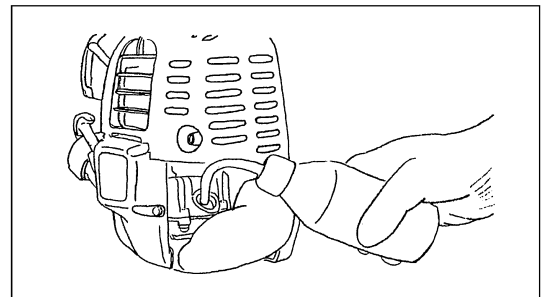


4) Saque la bayoneta de nivel y drene el aceite inclinando la unidad principal hacia el orificio de reabastecimiento de aceite. Drene el aceite en un recipiente.



5) Coloque el motor en posición nivelado y eche el aceite nuevo hasta que su nivel llegue al borde del orificio de reabastecimiento. Durante esta operación, utilice una botella de reabastecimiento de lubricante.

6) Después de echar el aceite, apriete firmemente la bayoneta de nivel. Un apriete insuficiente de la bayoneta puede causar fugas de aceite.



PUNTOS RELACIONADOS CON EL ACEITE

- Nunca tire el aceite de motor usado a la basura, sobre la tierra o a un canal de aguas residuales. El desecho del aceite del motor está regulado por la ley. Siga siempre las leyes y regulaciones pertinentes cuando lo deseché. Para una información más detallada, póngase en contacto con un Agente de Servicio Autorizado.
- El aceite se deteriora aunque no se use. Realice inspecciones y cambie el aceite regularmente (cambie el aceite cada 6 meses).

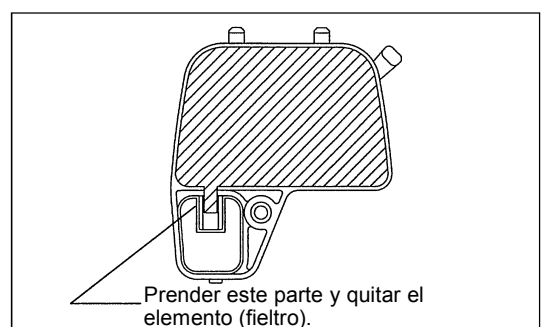
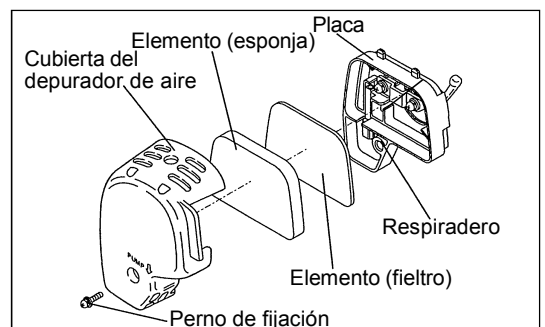
LIMPIEZA DEL DEPURADOR DE AIRE



PELIGRO: LOS MATERIALES INFLAMABLES ESTÁN ESTRUCTAMENTE PROHIBIDOS

Intervalo de limpieza e inspección: diariamente (cada 10 horas de funcionamiento)

- Gire la palanca de estrangulación a la posición de cierre total y no permita que entre polvo o suciedad en el carburador.
- Quite los pernos de fijación de la cubierta del depurador de aire.
- Tire del lado inferior de la cubierta y suéltela.
- Si el aceite se adhiere al elemento (esponja), spremelo fuertemente.
- Para contaminación fuerte :
 - 1) Quitar el elemento (esponja), sumergirlo en el agua templada o en el detergente neutro diluido en agua, y secarlo completamente.
 - 2) Limpiar el elemento (fieltro) con gasolina, y secarlo completamente.
- Antes de colocar el elemento, secarlo completamente. Si el elemento no se seca completamente, el motor no puede arrancar sin contratiempo.
- Secar con tejido usado el aceite adherente en la tapa del filtro de aire y el respiradero de placa.
- Inmediatamente después de terminar la limpieza, instale la cubierta del depurador y apriétela con los pernos de fijación (coloque primero la garra superior y luego la inferior).



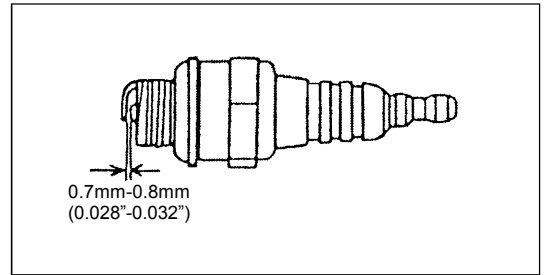
Manipulación del elemento del filtro de aire

- Limpiar el elemento varios veces a diario si hay polvos adherentes en exceso.
- Si la marcha continua con el elemento adherente del aceite, el aceite en el filtro de aire puede caerse fuera, provocando contaminación del aceite.

COMPROBACIÓN DE LA BUJÍA

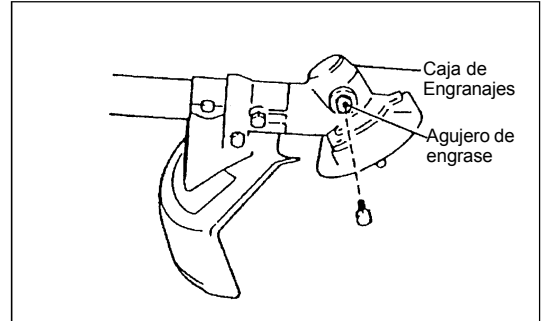
- Utilizar sólo la llave universal suministrada para quitar o instalar la bujía.
- La separación entre ambos electrodos de la bujía debe ser de 0.7 - 0.8mm (0.028" - 0.032"). Si la separación es mayor o menor, ajustarla. Si la bujía está obturada con carbón o sucia, limpiarla completamente o cambiarla.

PRECAUCIÓN: Nunca tocar el conector de la bujía mientras el motor funciona. (Riesgo de alto voltaje).



SUMINISTRO DE GRASA A LA CAJA DE ENGRANAJES

- Suministrar grasa (Shell Alvania No. 2 o equivalente) a la caja de engranajes a través del agujero cada 30 horas. (Puede comprar grasa genuina DOLMAR a su distribuidor DOLMAR).



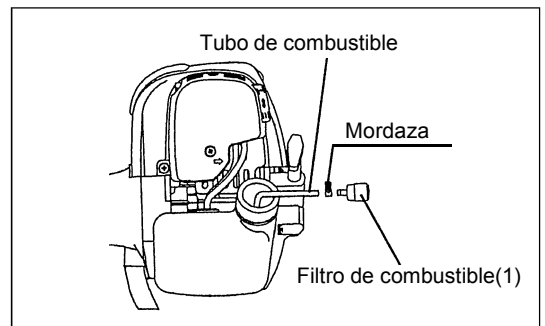
LIMPIEZA DEL FILTRO DE COMBUSTIBLE

ADVERTENCIA: LOS ARTÍCULOS INFLAMABLES ESTÁN Estrictamente PROHIBIDOS

Intervalo de limpieza e inspección: mensualmente (cada 50 horas de funcionamiento)

Cabezal de succión en el tanque de combustible

- El filtro de combustible (1) del cabezal de succión se utiliza para filtro el combustible requerido por el carburador.
- Una inspección visual periódica de este filtro debe realizarse. Para ese propósito, saque la tapa del tanque y con un alambre en forma de gancho saque el cabezal a través del agujero del tanque. Los filtros que se hayan endurecido, ensuciado u obturados deben sustituirse.
- El suministro insuficiente de combustible puede provocar que se supere la máxima velocidad admisible. Por lo tanto, es importante cambiar este filtro por lo menos cada trimestre para asegurar un suministro satisfactorio de combustible al carburador.



CAMBIO DE LA TUBERÍA DE COMBUSTIBLE

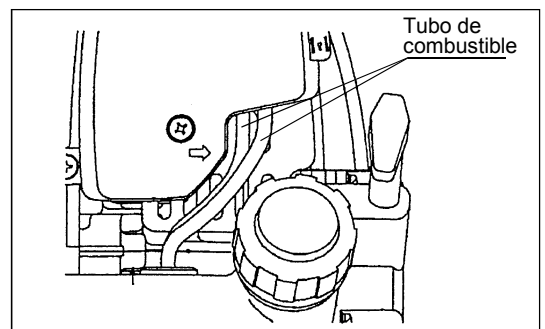
PRECAUCIÓN: LOS ARTÍCULOS INFLAMABLES ESTÁN Estrictamente PROHIBIDOS

Intervalo de limpieza e inspección: diariamente (cada 10 horas de funcionamiento)

Recambio: anualmente (cada 200 horas de funcionamiento)

Cambie la tubería de combustible anualmente, con independencia de la frecuencia de uso de la máquina. Las fugas de combustible pueden causar incendios.

Si se detectan fugas durante la inspección, cambie inmediatamente la tubería.



INSPECCIÓN DE PERNOS, TUERCAS Y TORNILLOS

- Reapriete los pernos, tuercas, etc. que estén flojos.
- Compruebe si hay fugas de combustible o aceite.
- En aras de la seguridad de manejo, cambie las piezas dañadas por nuevas.

LIMPIEZA DE PIEZAS

- Conserve el motor siempre limpio.
- Mantenga las aletas del cilindro siempre limpias de polvo o suciedad. El polvo y la suciedad adherida a estas aletas causarán el agarrotamiento del motor.

CAMBIO DE JUNTAS Y EMPAQUETADURAS

Al montar el motor después de haberlo desmontado, asegúrese de cambiar las juntas y las empaquetaduras por nuevas. Cualquier trabajo de mantenimiento o ajuste que no se incluya en este manual debe ser realizado solamente por un Agente de Servicio Autorizado.

ALMACENAMIENTO

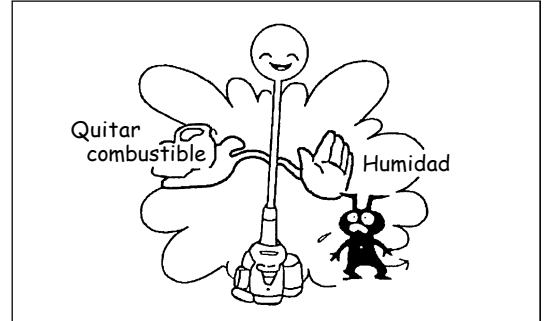


ADVERTIMIENTO: Durante descarga del combustible, es necesario parar el motor y asegurarse de que el motor se haga frío completamente. Justamente después de parar el motor, puede quedarse caliente aún provocando quemaduras, inflamación o incendio.



NOTA: Cuando la máquina es puesta fuera de marcha a largo tiempo, descargar todo el combustible del tanque de combustible, y conservarlo en un lugar seco y limpio.

- Descargar completamente el combustible del tanque de combustible y del carburador según el procedimiento siguiente :
 - 1) Quitar la tapa del tanque de combustible, y descargar el combustible completamente.
Si haya algún material extranjero en el tanque de combustible, quitarlo completamente.
 - 2) Sacar el filtro del combustible desde el orificio de reabastecimiento usando el alambre.
 - 3) Secar la bomba cebadora hasta que el combustible sea descargado de allí, y descargar el combustible entrante en el tanque de combustible.
 - 4) Ajustar el filtro en el tanque de aceite y apretar firmemente la tapa del tanque de combustible.
 - 5) Entonces, continuar haciendo marchar el motor hasta que el motor se pare.
- Quitar la bujía, y hacer caer de gotas de aceite para motor a través del agujero de la bujía.
- Tirar tranquilamente el manillar del motor de arranque de modo que el aceite del motor extienda en el motor, y colocar la bujía.
- Colocar la tapa en la cuchilla.
- Durante el almacenamiento, tener la barra horizontal o conservar la máquina derecha con el borde de la cuchilla dirigiéndose hacia arriba. (En este caso, prestar mucha atención a evitar la máquina que haga caída.)
- Nunca conservar la máquina con cuchilla lama dirigiéndose hacia abajo. El aceite lubricante puede derramarse.
- Conservar el aceite descargado en el recipiente especial a la sombra bien ventilada.



Atención después de almacenamiento de largo tiempo

- Antes de puesta en marcha después de parada de larga tiempo, sustituir el aceite (ver P 69). El aceite puede deteriorarse cuando la máquina es fuera de marcha.

Localización de averías

Avería	Sistema	Observaciones	Causas
El motor no arranca o lo hace con dificultades	Encendido	Hay chispa de encendido	Fallo en suministro de combustible o sistema de compresión Defecto mecánico
		No hay chispa	Interruptor STOP conectado, fallo del cableado o cortocircuito, bujía o conector defectuosos, fallo en el módulo de encendido
	Suministro de combustible	Tanque lleno	Posición incorrecta del estrangulador, carburador defectuoso, cabezal de succión sucio, línea de suministro de combustible doblada o interrumpida
	Compresión	Interior del motor	La junta interior del cilindro es defectuosa, los retenes del cigüeñal están dañados, el cilindro o los segmentos del pistón están dañados
Problemas de arranque en caliente	Fallo mecánico	El arrancador no funciona	El muelle del arrancador está roto. Partes rotas en el interior del motor
		Tanque lleno hay chispa de encendido	Carburador contaminado, hay que limpiarlo
El motor arranca y se para inmediatamente	Suministro de combustible	Tanque lleno	Ajuste en vacío incorrecto, el cabezal de succión o el carburador están contaminados La ventilación del tanque falla, la línea de suministro de combustible está interrumpida. El interruptor o el cable STOP fallan.
Rendimiento pobre	Varios Sistemas pueden verse afectados	Motor en vacío	Filtro de aire contaminado, carburador contaminado, silenciador obturado, conducto de salida en el cilindro obturado

Item	Tiempo de funcionamiento	Antes del manejo	Después del manejo	Diaria-mente (10 horas)	30 horas	50 horas	200 horas	Parada/reposo	Pág. Correspondiente
Aceite del motor	Inspección/limpieza								63
	Cambio					*1			69
Piezas de apriete (pernos, tuercas)	Inspección								71
Tanque de combustible	Limpieza/inspección								
	Drenaje del combustible							*3	72
Palanca del acelerador	Comprobación del funcionamiento								65
Interruptor de parada	Comprobación del funcionamiento								65
Cuchilla de corte	Inspección								61
Giro a baja velocidad	Inspección/ajuste								67
Depurador de aire	Limpieza								70
Bujía	Inspección								71
Conducto de aire de refrigeración	Limpieza/inspección								71
Tubería de combustible	Inspección								71
	Cambio						*2		
Grasa de la caja de engranaje	Reabastecimiento								71
Filtro de combustible	Limpieza/cambio								71
Holgura entre la válvula de admisión de aire y la válvula de descarga de aire	Ajuste						*2		
Reacondicionamiento del motor							*2		
Carburador	Drenaje del combustible							*3	72

*1 Haga el cambio inicial después de 20 horas de funcionamiento.

*2 Encargue la inspección de las 200 horas de funcionamiento a un Agente o Taller de Servicio Autorizado.

*3 Después de vaciar el tanque de combustible, deje el motor en funcionamiento y drene el combustible en el carburador.

II INVESTIGACIÓN DE AVERÍAS

Antes de solicitar reparaciones; compruebe el problema usted mismo. Si se encuentra una anomalía, controle la máquina de acuerdo con la descripción de este manual. Nunca manipule ni desmonte piezas no relacionadas con la descripción. Para reparaciones, póngase en contacto con el Agente de Servicio Autorizado o concesionario local.

Estado de la anomalía	Causa probable (avería)	Remedio
El motor no arranca	No funciona la bomba cebadora	Empuje 7 a 10 veces
	Velocidad de tiro mala del cordón de arranque	Tire con fuerza
	Falta combustible	Eche combustible
	Filtro de combustible atascado	Límpielo
	Tubería de combustible rota	Enderece la tubería
	Combustible deteriorado	El combustible deteriorado dificulta el arranque. Cambie el combustible por nuevo (cambio recomendado: 1 mes).
	Excesivo consumo de combustible	Coloque la palanca del acelerador entre velocidad media y alta y tire del asa de arranque de modo que el motor se ponga en marcha. Después de ello, la cuchilla de corte empieza a girar. Preste mucha atención a la cuchilla de corte. Si el motor no arrancase, saque la bujía; seque el electrodo y vuelva a colocarla en su posición original. Vuelva a intentar arrancar.
	Caperuza de bujía suelta	Instálela firmemente.
	Bujía sucia	Límpuela
	Entrehierro anormal de la bujía	Ajuste el entrehierro
	Otras anomalías de la bujía	Cambie
	Carburador anormal	Solicite la inspección y mantenimiento
	No puede tirarse del cordón de arranque	Solicite la inspección y mantenimiento
Sistema de transmisión anormal	Solicite la inspección y mantenimiento	
El motor se para pronto No aumenta la velocidad del motor	Calentamiento insuficiente	Efectúe el calentamiento
	La palanca de estrangulación está en la posición CLOSE aunque el motor está caliente	Colóquela en CLOSE
	Filtro de combustible atascado	Límpielo
	Depurador de aire sucio o atascado	Límpielo
	Carburador anormal	Solicite la inspección y mantenimiento
	Sistema de transmisión anormal	Solicite la inspección y mantenimiento
No gira la cuchilla de corte ↓ Pare el motor inmediatamente	Tuerca de apriete de la cuchilla de corte floja	Apriete firmemente
	Ramas atrapadas en la cuchilla de corte o cubierta de prevención de la dispersión	Elimine las materias extrañas
	Sistema de transmisión anormal	Solicite la inspección y mantenimiento
La unidad principal vibra anormalmente ↓ Pare el motor inmediatamente	Cuchilla de corte rota, doblada o desgastada	Cambie la cuchilla de corte
	Tuerca de apriete de la cuchilla de corte floja	Apriete firmemente
	La parte convexa de la cuchilla de corte y el apoyo de la cuchilla se han desplazado	Instale correctamente
	Sistema de transmisión anormal	Solicite la inspección y mantenimiento.
La cuchilla de corte no se para inmediatamente ↓ Pare el motor inmediatamente	Giro a ralenti alto	Ajuste
	Se ha soltado el cable del acelerador	Instale correctamente
	Sistema de transmisión anormal	Solicite la inspección y mantenimiento
El motor no se para ↓ Déjelo funcionando en ralenti y coloque la palanca de estrangulación en CLOSE	Conector suelto	Instale firmemente
	Sistema eléctrico anormal	Solicite la inspección y mantenimiento

Cuando el motor no arrancar después de la operación de calentamiento.

Si no se encuentran anomalías en los puntos comprobados, abra el acelerador 1/3 y arranque el motor.



DOLMAR GmbH
Postfach 70 04 20
D-22004 Hamburg
Germany