

VANGUARD[®]

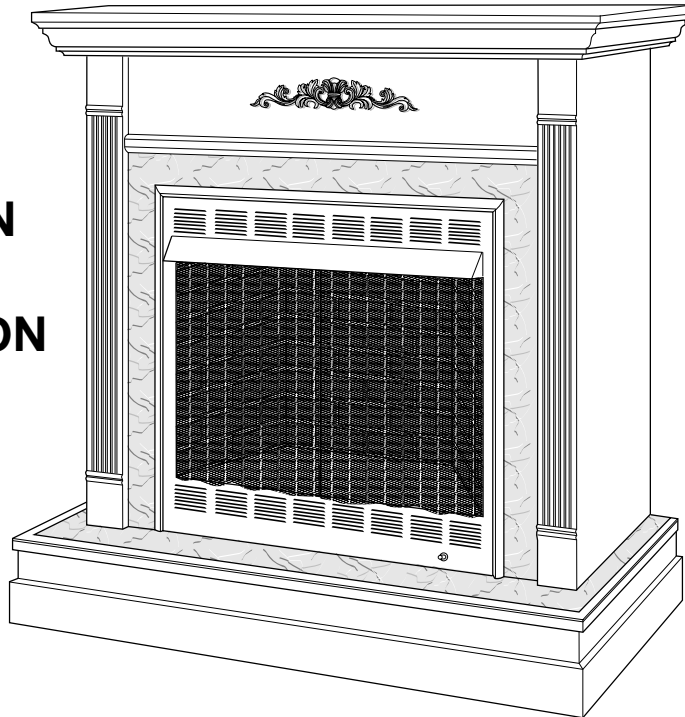
UNVENTED (VENT-FREE)

LogMate II[™] FIREBOX

This firebox may be installed in an aftermarket* manufactured (mobile) home, where not prohibited by state or local codes.

* Aftermarket: Completion of sale, not for purpose of resale, from the manufacturer (i.e. Installation of this product is permitted after the manufactured (mobile) home is sited).

OWNER'S OPERATION AND INSTALLATION MANUAL



**FB32C (shown)
Circulating
Louvered and
FB32NC
Noncirculating
Smooth Face
Models**

Shown with optional cabinet mantel, hearth base, brass trim, and marble trim accessories.

WARNING: If the information in this manual is not followed exactly, a fire or explosion may result causing property damage, personal injury, or loss of life.

- Do not store or use gasoline or other flammable vapors and liquids in the vicinity of this or any other appliance.
- **WHAT TO DO IF YOU SMELL GAS**
 - Do not try to light any appliance.
 - Do not touch any electrical switch; do not use any phone in your building.
 - Immediately call your gas supplier from a neighbor's phone. Follow the gas supplier's instructions.
 - If you cannot reach your gas supplier, call the fire department.
- Installation and service must be performed by a qualified installer, service agency, or the gas supplier.

WARNING: Improper installation, adjustment, alteration, service, or maintenance can cause injury or property damage. Refer to this manual for correct installation and operational procedures. For assistance or additional information consult a qualified installer, service agency, or the gas supplier.

WARNING: The FB32C and FB32NC Fireboxes are to be used only with certain vent-free gas log heaters (see Table 1). Do not burn wood or other materials in these fireboxes.

Save this manual for future reference.

CONTENTS

SECTION	PAGE
Safety Information	2
Product Specifications	4
Local Codes	5
Unpacking	5
Product Features	6
Locating Firebox	6
Air for Combustion and Ventilation	6
Installing	10
Installation Clearances	10
Installing Blower Accessory	12
Installing Log Heater in Firebox	13
Installing Fireplace Hood	14
Installing Fireplace Screen	14
Firebox Installation Using Optional Accessory Mantels	15
Built-In Firebox Installation	17
Technical Service	19
Replacement Parts	19
Accessories	20
Illustrated Parts Lists	22-25
Warranty Information	Back Cover

SAFETY INFORMATION

WARNINGS

IMPORTANT: Read this owner's manual carefully and completely before trying to assemble, operate, or service this firebox. Improper use of this firebox can cause serious injury or death from burns, fire, explosion, electrical shock, and carbon monoxide poisoning.

TABLE 1

For use with vent-free gas log heater models:			
VANGUARD®		COMFORT FLAME®	
VL18N/P	VYD18N/P	CF18N	CFS18NV(B)
VL18NT(A)/PT(A)	VYD24N/P	CF18P	CFS18PV(B)
VL18NV/PV	VYBD18N/P	CF18NT(A)	CFYS18N
VL24N/P	VYBD24N/P	CF18PT(A)	CFYS18P
VL24NT(A)/PT(A)	VS24NTA	CF24N	CFYS24N
VL24NV/PV	VS24PTA	CF24P	CFYS24P
VS24NV(A,B)	VS18NTA	CF24NT(A)	CFLH26N
VS24PV(A,B)	VS18PTA	CF24PT(A)	CFLH22P
VS18NR/PR	VLH26N	CFS24NV(A,B)	CFLH39N
VS18NV(B)/PV(B)	VLH22P	CFS24PV(A,B)	CFLH31P
VS24NR/PR	VLH39N		
VYS18N/P	VLH31P		
VYS24N/P			

SAFETY INFORMATION

Continued

WARNINGS *Continued*

WARNING: Any change to this firebox or its controls can be dangerous.

1. This firebox shall not be installed in a bedroom or bathroom.
2. Never install the firebox
 - in a recreational vehicle
 - where curtains, furniture, clothing, or other flammable objects are less than 36 inches from the front, top, or sides of the firebox
 - in high traffic areas
 - in windy or drafty areas
3. Do not use this firebox as a wood-burning fireplace. Use only the logs specified in *Table 1*, page 2.
4. Do not add extra logs or ornaments such as pine cones, vermiculite, or rock wool. Using these added items can cause sooting.
5. You must operate this fireplace with the fireplace screen, hood, and brick liner in place. Make sure these parts are in place before running firebox.
6. Do not allow fans to blow directly into the firebox. Avoid any drafts that alter burner flame patterns. Ceiling fans can create drafts that alter burner flame patterns. Altered burner patterns can cause sooting.
7. Do not use a blower insert, heat exchanger insert or other accessory not approved for use with this heater. Do not use blower accessory with Model FB32NC.
8. Vent-free gas log heaters installed in these fireboxes require fresh air ventilation to run properly. See *Air for Combustion and Ventilation*, pages 6 through 9.
9. Do not run firebox
 - where flammable liquids or vapors are used or stored
 - under dusty conditions
10. Do not use this firebox to cook food or burn paper or other objects.
11. Never place any objects in the firebox or on logs.
12. Firebox front and screen becomes very hot when running firebox. Keep children and adults away from hot surfaces to avoid burns or clothing ignition. Firebox will remain hot for a time after shut-down. Allow surfaces to cool before touching.
13. Carefully supervise young children when they are in the room with firebox.
14. Turn firebox off and let cool before servicing. Only a qualified service person should service and repair firebox.
15. Operating firebox above elevations of 4,500 feet could cause pilot outage.

PRODUCT SPECIFICATIONS

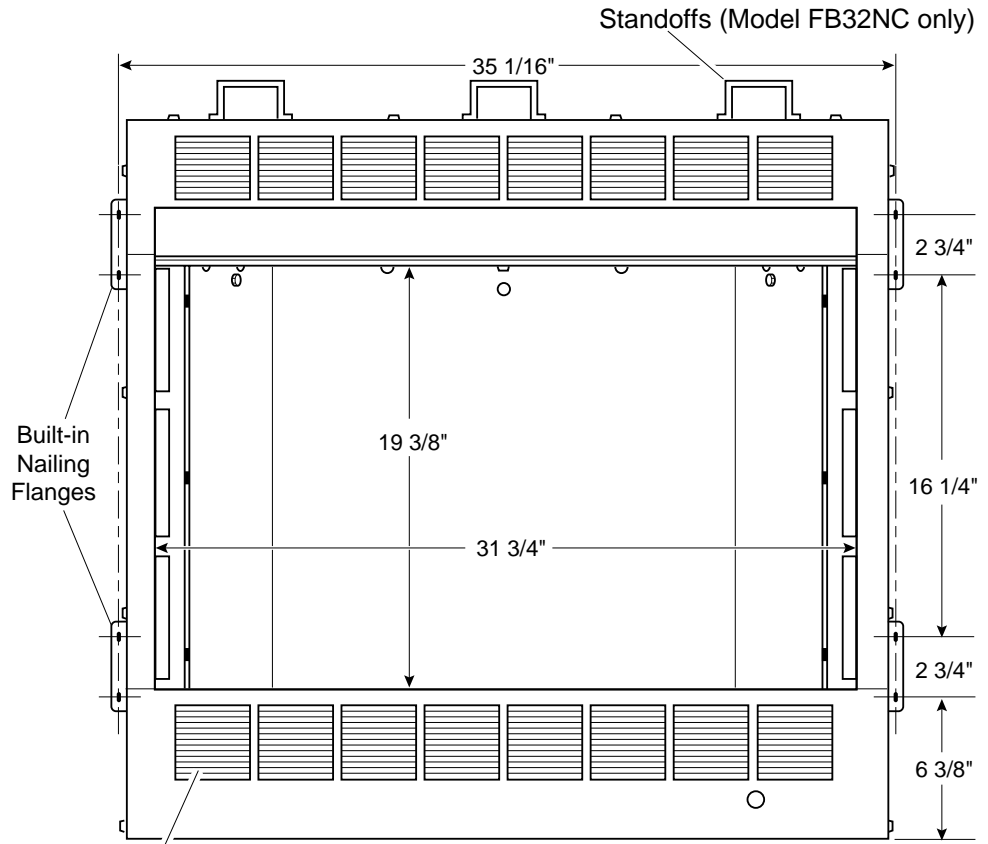


Figure 1 - Firebox Front View

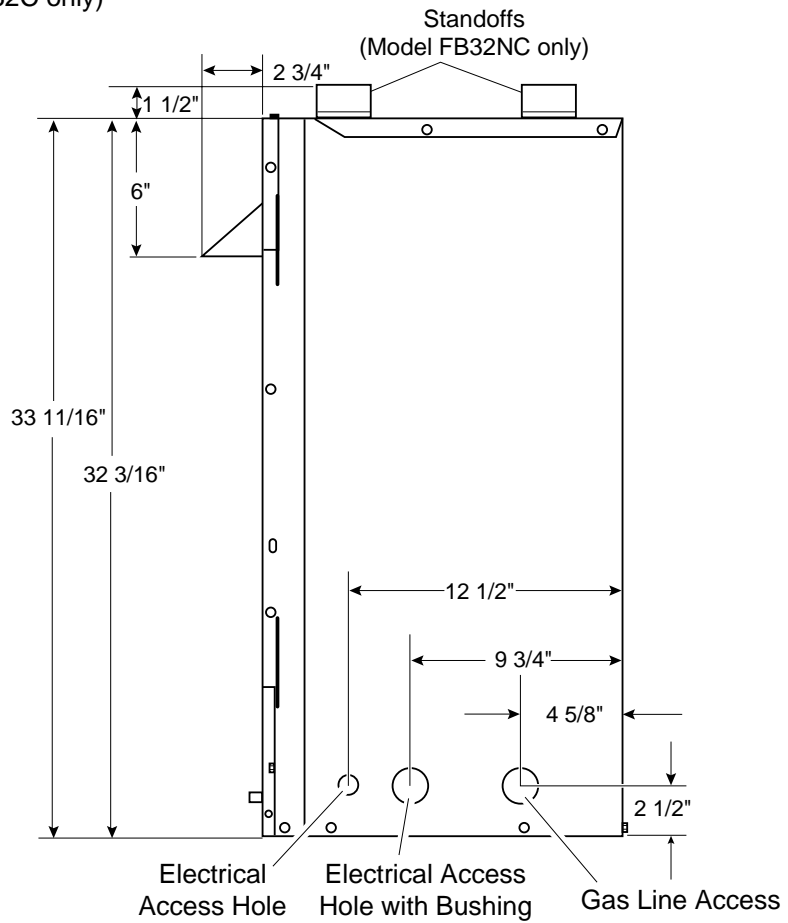


Figure 2 - Firebox Side View

PRODUCT SPECIFICATIONS

Continued

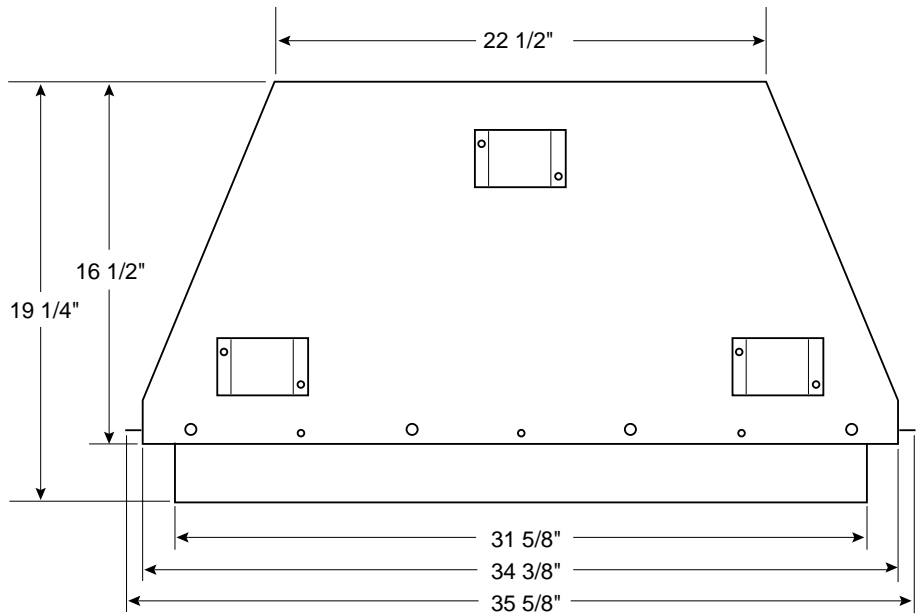


Figure 3 - Firebox Side View

LOCAL CODES

Install and use fireplace with care. Follow all local codes. In the absence of local codes, use the latest edition of The National Fuel Gas Code ANSI Z223.1, also known as NFPA 54*. Firebox must be electrically grounded in accordance with the National Electrical Code, ANSI/NFPA70 (latest edition).

*Available from:

American National Standards Institute, Inc.
1430 Broadway
New York, NY 10018

National Fire Protection Association, Inc.
Batterymarch Park
Quincy, MA 02269

UNPACKING

1. Cut banding along lower edge of carton. Unfold bottom flaps and lift upper carton off of firebox. Pull carton away and discard.
2. Check carton contents for the following:
 - Screen assembly
 - Screen support rod
 - Hood
 - Hardware and parts bag containing the following:
 - Owners Operation and Installation Manual
 - Flexible gas connector
 - 2 - Black #10 x 3/8" Phillips screws
 - 3 - Zinc #10 x 1/2" shouldered hex screws
 - 2 - Black #10 x 5/8" shouldered hex screwsIf any items are missing, inform dealer where you bought firebox.
3. Check all items for any shipping damage. If damaged, promptly inform dealer where you bought firebox.

PRODUCT FEATURES

LOCATING FIREBOX

AIR FOR COMBUSTION AND VENTILATION

Operation

This firebox is designed to accept all gas log heaters listed in *Table 1*, page 2. It requires no outside venting or chimney making installation easy and inexpensive. When used without the blower (model FB32C only), the firebox requires no electricity making it ideal for emergency back-up heat.

Blower Accessory

The FB32C firebox will accept the GA3500A accessory. The variable blower allows you to select the fan speed you desire. The blower circulates heated air from the firebox into the room. Use of blower is optional.

Planning

Plan where you will install the firebox. This will save time and money later when you install the firebox. Before installation, consider the following:

1. Where the firebox will be located. Allow for wall and ceiling clearances (see *Installation Clearances*, page 10).
2. Everything needed to complete installation.
3. These models CANNOT be installed in a bedroom or bathroom.
4. Proper air for combustion and ventilation (see below).

WARNING

This firebox shall not be installed in a confined space unless provisions are provided for adequate combustion and ventilation air. Read the following instructions to insure proper fresh air for this and other fuel-burning appliances in your home.

Today's homes are built more energy efficient than ever. New materials, increased insulation, and new construction methods help reduce heat loss in homes. Home owners weather strip and caulk around windows and doors to keep the cold air out and the warm air in. During heating months, home owners want their homes as airtight as possible.

While it is good to make your home energy efficient, your home needs to breathe. Fresh air must enter your home. All fuel-burning appliances need fresh air for proper combustion and ventilation.

Exhaust fans, fireboxes, clothes dryers, and fuel burning appliances draw air from the house to operate. You must provide adequate fresh air for these appliances. This will insure proper venting of vented fuel-burning appliances.

AIR FOR COMBUSTION AND VENTILATION

Continued

PROVIDING ADEQUATE VENTILATION

The following is excerpts from *National Fuel Gas Code, NFPA 54/ANSI Z223.1, Section 5.3, Air for Combustion and Ventilation*.

All spaces in homes fall into one of the three following ventilation classifications:

1. Unusually Tight Construction; 2. Unconfined Space; 3. Confined Space.

The information on pages 6 through 9 will help you classify your space and provide adequate ventilation.

Unusually Tight Construction

The air that leaks around doors and windows may provide enough fresh air for combustion and ventilation. However, in buildings of unusually tight construction, you must provide additional fresh air.

Unusually tight construction is defined as construction where:

- a. walls and ceilings exposed to the outside atmosphere have a continuous water vapor retarder with a rating of one perm or less with openings gasketed or sealed *and*
- b. weather stripping has been added on openable windows and doors *and*
- c. caulking or sealants are applied to areas such as joints around window and door frames, between sole plates and floors, between wall-ceiling joints, between wall panels, at penetrations for plumbing, electrical, and gas lines, and at other openings.

If your home meets all of the three criteria above, you must provide additional fresh air. See *Ventilation Air From Outdoors*, page 9.

If your home does not meet all of the three criteria above, proceed to page 8.

Unconfined Space

The *National Fuel Gas Code, ANSIZ223.1, 1992, Section 5.3* defines unconfined space as having a minimum air volume of 50 cubic feet (127 cubic cm) for each 1000 Btu/Hr input rating of all appliances in the space (cubic feet equals length x width x height of space). Include adjoining rooms only if there are doorless passageways or ventilation grills between the rooms.

Confined Space

The *National Fuel Gas Code, ANSIZ223.1, 1992, Section 5.3* defines confined space as having an air volume of less than 50 cubic feet (127 cubic cm) for each 1000 Btu/Hr input rating of all appliances in the space (cubic feet equals length x width x height of space). Include adjoining rooms only if there are doorless passageways or ventilation grills between the rooms.

Continued

AIR FOR COMBUSTION AND VENTILATION

Continued

DETERMINING AIR FLOW FOR FIREBOX LOCATION

Determining if You Have a Confined or Unconfined Space

Use this work sheet to determine if you have a confined or unconfined space.

Space: Includes the room in which you will install firebox plus any adjoining rooms with doorless passageways or ventilation grills between the rooms.

1. Determine the volume of the space (length x width x height).

Length x Width x Height = _____ cu. ft. (volume of space)

Example: Space size 22 ft. (length) x 18 ft. (width) x 8 ft. (ceiling height) = 3168 cu. ft. (volume of space)

If additional ventilation to adjoining room is supplied with grills or openings, add the volume of these rooms to the total volume of the space.

2. Divide the space volume by 50 cubic feet to determine the maximum Btu/Hr the space can support.

_____ (volume of space) ÷ 50 cu. ft. = (Maximum Btu/Hr the space can support)

Example: 3168 cu. ft. (volume of space) ÷ 50 cu. ft. = 63.3 or 63,300 (maximum Btu/Hr the space can support)

3. Add the Btu/Hr of all fuel burning appliances in the space.

Vent-free firebox	_____	Btu/Hr
Gas water heater*	_____	Btu/Hr
Gas furnace	_____	Btu/Hr
Vented gas heater	_____	Btu/Hr
Gas firebox logs	_____	Btu/Hr
Other gas appliances*	+ _____	Btu/Hr
Total	= _____	Btu/Hr

Example:

Gas water heater		40,000	Btu/Hr
Vent-free firebox with log heater	+	39,000	Btu/Hr
Total	=	79,000	Btu/Hr

* Do not include direct-vent gas appliances. Direct-vent draws combustion air from the outdoors and vents to the outdoors.

4. Compare the maximum Btu/Hr the space can support with the actual amount of Btu/Hr used.

_____ Btu/Hr (maximum the space can support)
 _____ Btu/Hr (actual amount of Btu/Hr used)

Example: 63,300 Btu/Hr (maximum the space can support)
 79,000 Btu/Hr (actual amount of Btu/Hr used)

The space in the above example is a confined space because the actual Btu/Hr used is more than the maximum Btu/Hr the space can support. You must provide additional fresh air.

Your options are as follows:

- A. Rework work sheet, adding the space of an adjoining room. If the extra space provides an unconfined space, remove door to adjoining room or add ventilation grills between rooms. See *Ventilation Air from Inside Building*, page 9.
- B. Vent room directly to the outdoors. See *Ventilation Air from Outdoors*, page 9.
- C. Install a lower Btu/Hr firebox, if lower Btu/Hr size makes room unconfined.

If the actual Btu/Hr used is less than the maximum Btu/Hr the space can support, the space is an unconfined space. You will need no additional fresh air ventilation.

WARNING

If the area in which the firebox and gas log heater may be operated is smaller than that defined as an unconfined space, provide adequate combustion and ventilation air by one of the methods described in the *National Fuel Gas Code, ANSI Z223.1, 1992, Section 5.3.*

AIR FOR COMBUSTION AND VENTILATION

Continued

VENTILATION AIR

Ventilation Air From Inside Building

This fresh air would come from an adjoining unconfined space. When ventilating to an adjoining unconfined space, you must provide two permanent openings: one within 12" of the ceiling and one within 12" of the floor on the wall connecting the two spaces (see options 1 and 2, Figure 4). You can also remove door into adjoining room (see option 3, Figure 4). Follow the *National Fuel Gas Code NFPA 54/ANSI Z223.1, Section 5.3, Air for Combustion and Ventilation* for required size of ventilation grills or ducts.

WARNING

Rework worksheet, adding the space of the adjoining unconfined space. The combined spaces must have enough fresh air to supply all appliances in both spaces.

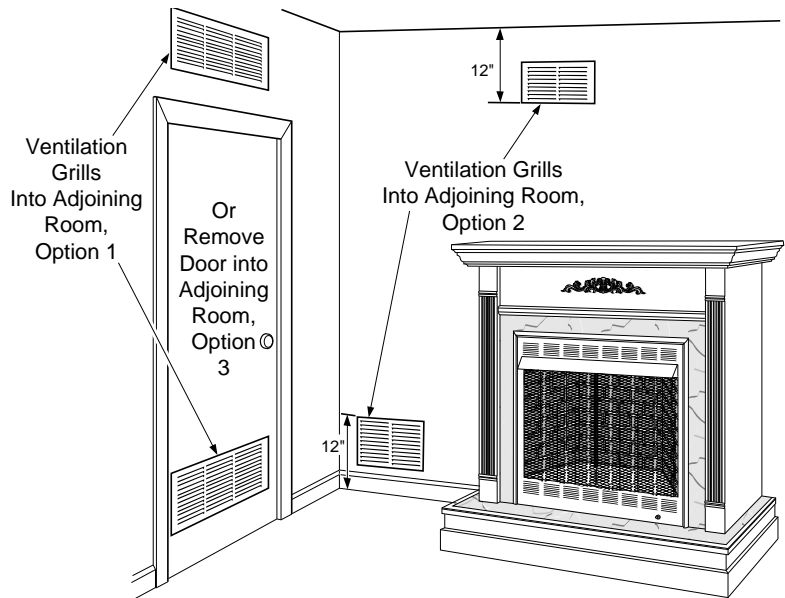


Figure 4 - Ventilation Air from Inside Building

Ventilation Air From Outdoors

Provide extra fresh air by using ventilation grills or ducts. You must provide two permanent openings: one within 12" of the ceiling and one within 12" of the floor. Connect these items directly to the outdoors or spaces open to the outdoors. These spaces include attics and crawl spaces.

IMPORTANT: Do not provide openings for inlet or outlet air into attic if attic has a thermostat-controlled power vent. Heated air entering the attic will activate the power vent.

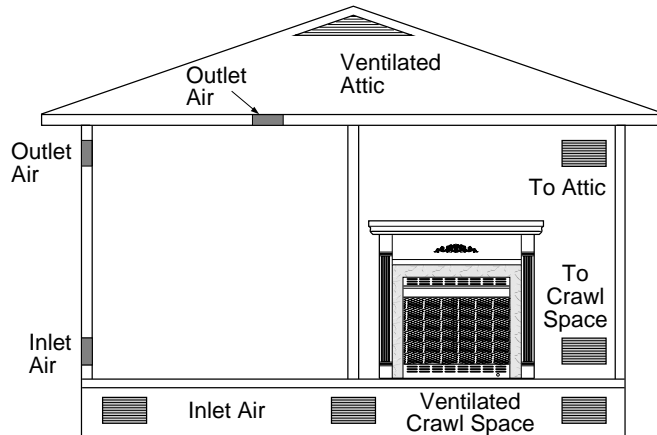


Figure 5 - Ventilation Air from Outdoors

INSTALLING

NOTICE

A qualified service person must install firebox. Follow all local codes.

WARNING

Never install the firebox

- in a bedroom or bathroom
- in a recreational vehicle
- where curtains, furniture, clothing, or other flammable objects are less than 36 inches from the front, top, or sides of the firebox
- in high traffic areas
- in windy or drafty areas

CAUTION

Log heaters installed in this firebox create warm air currents. These currents move heat to wall surfaces next to firebox. Installing firebox next to vinyl or cloth wall coverings or operating firebox where impurities in the air (such as tobacco smoke) exist, may discolor walls.

IMPORTANT: Vent-free gas log heaters add moisture to the air. Although this is beneficial, installing firebox in rooms without enough ventilation air may cause mildew to form from too much moisture. See *Air for Combustion and Ventilation*, pages 6 through 9.

IMPORTANT: Make sure the firebox is level. If firebox is not level, log set will not work properly.

INSTALLATION CLEARANCES

WARNING

Maintain the minimum clearances. If you can, provide greater clearances from floor, ceiling, and adjoining wall.

Carefully follow the instructions below. This will ensure safe installation.

Minimum Wall and Ceiling Clearances (see Figure 6, page 11)

- A. Clearances from the side of the firebox opening to any combustible wall should not be less than 16 inches for a cabinet mantel or 12 inches for a corner installation.
- B. Clearances from the top of the firebox opening to the ceiling should not be less than 42 inches.

INSTALLING

Continued

Mantel Clearances for Conventional Installation

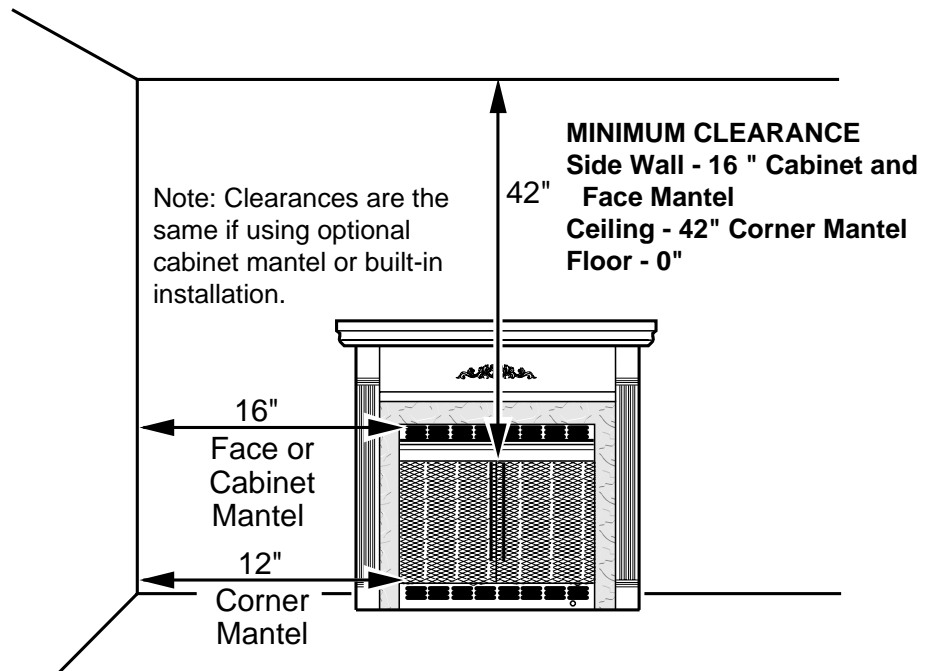


Figure 6 - Minimum Clearance to Wall and Ceiling

Mantel Clearances for Built-In Installation

If placing custom mantel above built-in firebox, you must meet minimum clearance between mantel shelf and top of firebox opening.

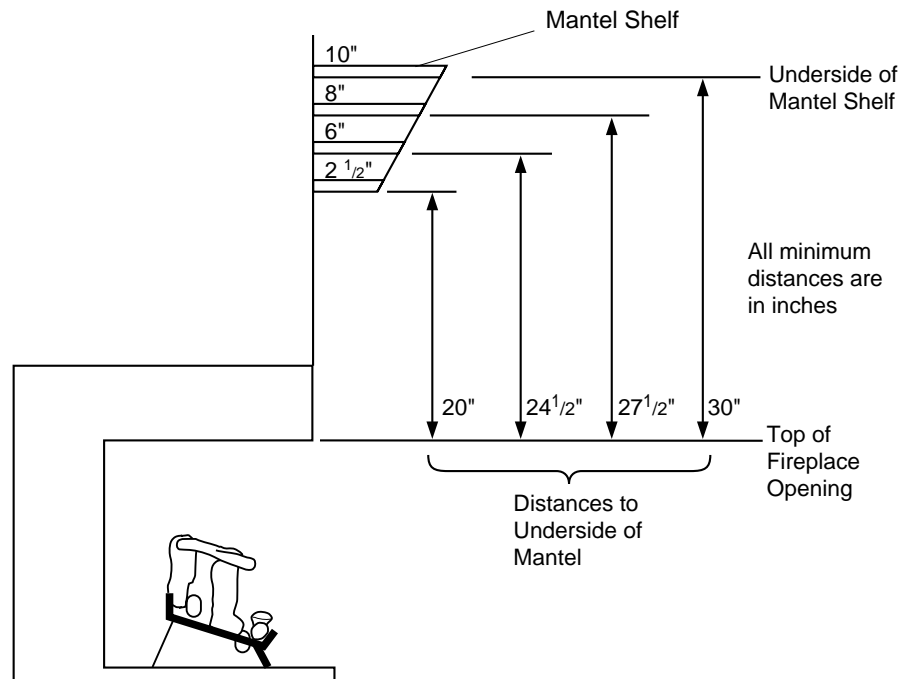


Figure 7 - Minimum Mantel Clearances for Built-In Installation

If your installation does not meet the above minimum clearances, you must:

- raise the mantel to an acceptable height, OR
- remove the mantel.

INSTALLING

Continued

INSTALLING BLOWER ACCESSORY (Model FB32C only)

You may install blower accessory GA3500A with conventional installation (page 15) or with built-in installation (page 17) with model FB32C only. To install blower accessory, see instruction sheet included with the kit.

Conventional Installation of Blower Accessory

1. Install blower assembly per instruction sheet included in blower accessory kit.
2. Before replacing bottom of firebox, route blower power cord through hole in support bracket in bottom of firebox and through hole in side of firebox to grounded, three-prong 120 volt electrical outlet (see Figure 8). Plug electrical cord into outlet.
3. Replace bottom of firebox.

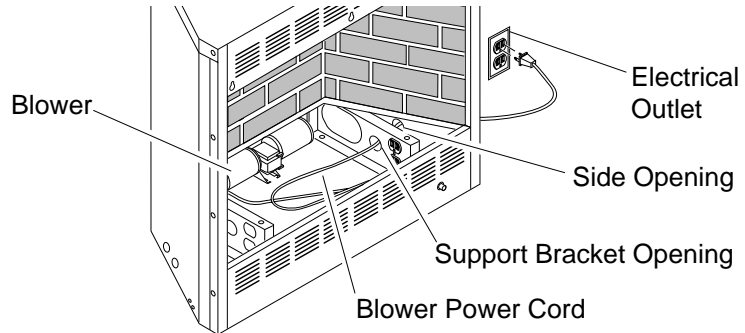


Figure 8 - Routing Blower Accessory Power Cord for Conventional Installation

NOTICE

A certified electrician must connect electrical wiring to duplex outlet for built-in installation. Follow all local codes.

Built-In Installation of Blower Accessory

1. Install blower assembly per instruction sheet included.
2. Before replacing bottom of firebox, remove screw holding duplex outlet to the support bracket in the bottom of firebox. Remove duplex outlet.
3. Clamp electrical cable into firebox through smallest hole using strain relief provided.
4. Route wires from electrical box through hole in side of heater and hole in support bracket (see Figure 9).
5. Connect wires from the electrical box to duplex outlet. Match wire colors to those indicated on duplex outlet. Be sure to connect ground wire.
6. Replace duplex outlet with screw.
7. Plug blower power cord into duplex outlet.
8. Replace bottom of firebox.

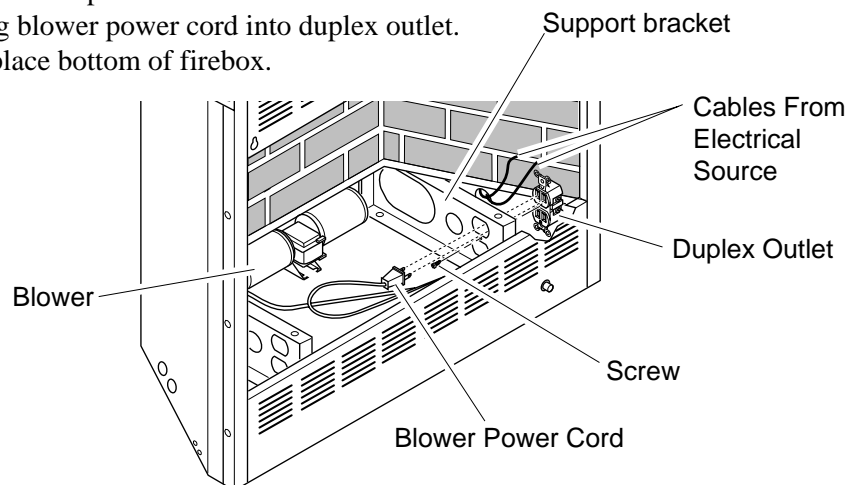


Figure 9 - Routing Blower Accessory Power Cord for Built-In Installation

INSTALLING

Continued

INSTALLING LOG HEATER IN FIREBOX

⚠ CAUTION

Do not pick up log base assembly by burners. This could damage burners. Only handle base by grates.

1. Remove four screws holding firebox bottom in place.
2. Lift and remove firebox bottom (see Figure 10).
3. If installing GA3500A Blower Accessory (Model FB32C only), see *Installing Blower Accessory*, page 12.

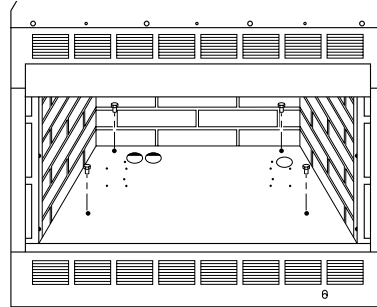


Figure 10 - Removing Firebox Bottom

4. Route flexible gas line from manual shutoff valve into firebox through side.

NOTICE

Most building codes do not permit concealed gas connections. A flexible gas line is provided to allow accessibility from the firebox. The flexible gas supply line connection to the manual shutoff valve should be accessible.

5. Attach gas log heater base to firebox bottom with four screws included with base (see *Installing Heater Base Assembly* in log set owner's manual).
6. Replace firebox bottom and secure with screws.

IMPORTANT: If installing a VL18N/P, VL18NT(A)/PT(A), VL24N/P, VL24NT(A)/PT(A), VS24NV(A)/PV(A), VS18NV/PV, VS24NTA/PTA, VS18NTA/PTA, CF18N/P, CF18NT(A)/PT(A), CF24N/P, CF24NT(A)/PT(A), CFS24NV(A)/PV(A), CF18NV/PV, CF24NTA/PTA, or CF18NTA/PTA gas log heater, locate two mounting brackets included with appliance. Measure these brackets. If overall length is 9 1/4", cut 2" off rear of each bracket with hacksaw (see Figure 11).

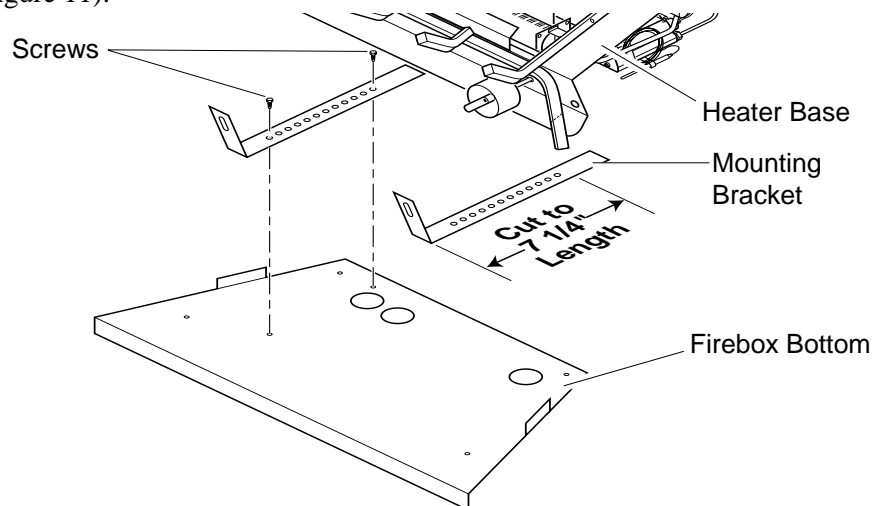


Figure 11 - Cutting Brackets

INSTALLING

Continued

INSTALLING FIREPLACE HOOD

1. Attach three zinc-colored shoulder screws to back of hood.
2. Insert hood into hood-mounting slots on firebox.
3. Hold hood in place. Insert two black Phillips screws through bottom of hood and tighten.

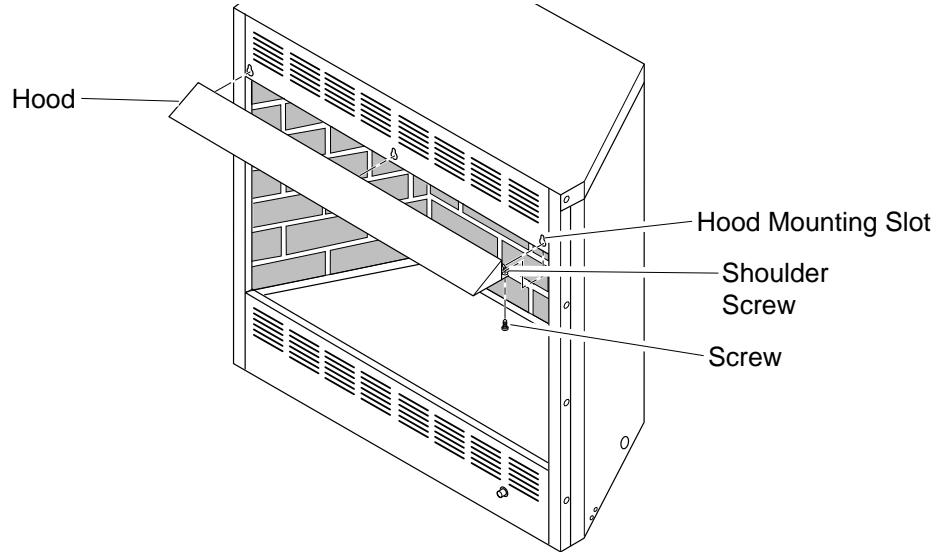
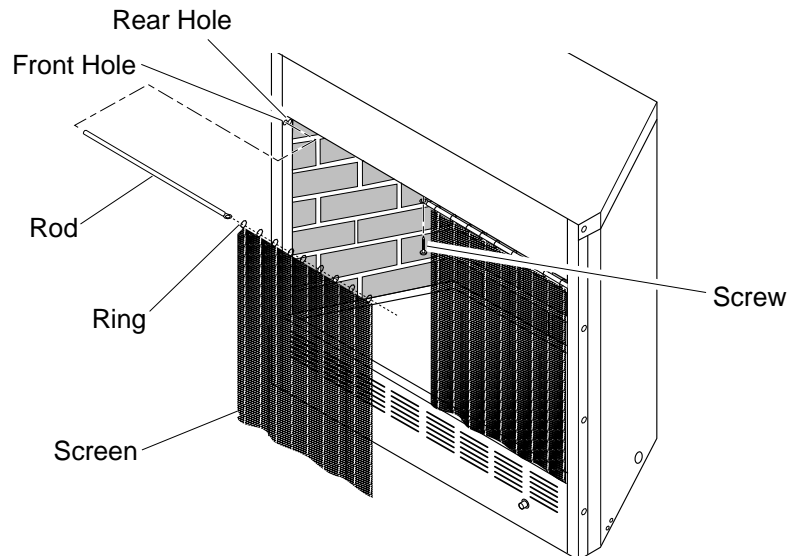


Figure 12 - Installing Fireplace Hood

INSTALLING FIREPLACE SCREEN

1. Insert each rod through nine rings located at top of screen.
2. Insert first rod into rear hole in left side of firebox. Fasten rod to rear hole near center of firebox using black shoulder screw.
3. Insert other rod into front hole on right side of firebox and fasten using remaining shoulder screw.



**Figure 13 - Installing Fireplace Screen
(Shown Without Fireplace Hood for Clarity)**

INSTALLING

Continued

FIREBOX INSTALLATION USING OPTIONAL ACCESSORY MANTELS

This firebox may be installed using the corner or cabinet mantel with hearth base accessories against a wall in your home. You must use a GA6090 brass trim kit to properly install the mantel accessories (see *Accessories*, pages 20 and 21). Follow the instructions below to install the firebox in this manner.

Note: The instructions below show installation using GM100F/GM101U series cabinet mantels and the G3000F/G3001U series hearth base accessories. The hearth base accessory shown is optional for this installation. You can install firebox and cabinet mantel directly on the floor. The corner mantel and face mantel accessories cannot be installed with the G3000F/G3001U series hearth base. You must install corner and face mantels directly on the floor. If mounting firebox and cabinet mantel to the floor or using face mantel or corner mantel, an optional G3005 Slim Base kit may be installed. *Note:* If using the GM400F/GM401U series face mantel accessory, a wall recess opening will be needed. See installation instructions for GM400F/GM401U series mantel accessory.

1. Assemble cabinet mantel, hearth base, GA6090 brass trim, and trim accessories. Assembly instructions are included with each accessory.
2. If using an optional GA3500A blower (FB32C model only), install a properly grounded, 120 volt three-prong electrical outlet at firebox location if an outlet is not there. If possible, locate outlet so cabinet mantel will cover it when installed (see Figure 15, page 16).
3. Install gas piping to firebox location. This installation includes an approved flexible gas line (if allowed by local codes) and a manual shutoff valve. The flexible gas line must be the last item installed on the gas piping. See *Connecting to Gas Supply* in your log set owner's manual.

NOTICE

A qualified service person must connect firebox to gas supply. Follow all local codes.

4. Place hearth base accessory against wall at installation location. Cut an access hole in hearth top to run flexible gas line to firebox (see Figure 14). Make sure to locate access hole so cabinet mantel will cover it when installed. *Note:* You can secure base to floor using wood screws. Countersink screw heads and putty over.

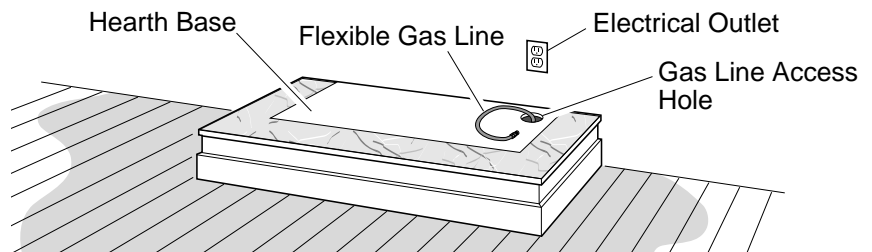


Figure 14 - Placing Hearth Base Accessory Against Wall

Continued

INSTALLING

Continued

5. Route flexible gas line through access hole in hearth base.
6. Center cabinet mantel on hearth base (see Figure 15). Make sure mantel is flush against wall.

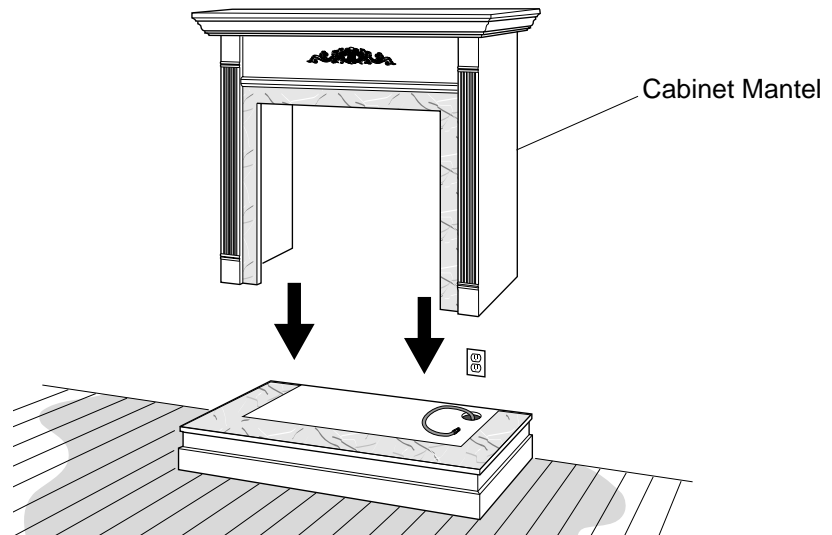


Figure 15 - Installing Cabinet Mantel

7. Break off nailing flanges (see Figure 16) with hammer or pliers. **IMPORTANT:** If installing Brass Trim Kit GA6090, see instructions included with brass trim accessory.

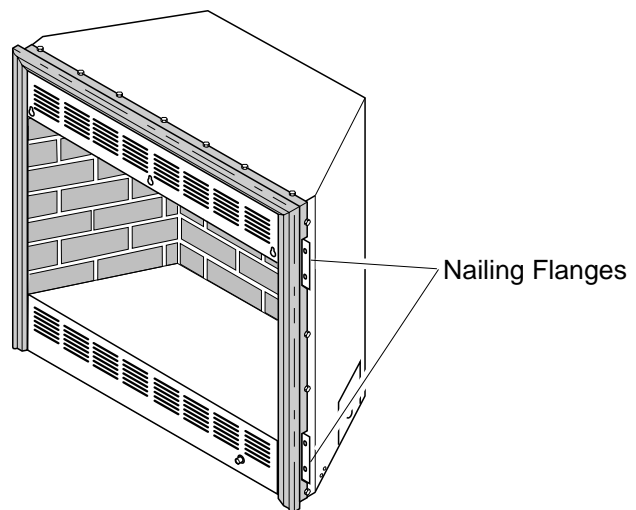


Figure 16 - Location of Nailing Flanges

8. Place cardboard or other protective material on top of hearth base. Carefully set firebox on protective material, with back of firebox inside mantel opening.
9. Attach flexible gas line to log set. See *Connecting to Gas Supply* in your log set owner's manual.

INSTALLING

Continued

10. If installing GA3500A blower (FB32C firebox only), route blower electrical cord through bushing in right side firebox support and bushing in side access opening of firebox. Plug electrical cord into electrical outlet. See *Installing Blower Accessory*, page 12.
11. Carefully insert firebox into cabinet mantel. Be careful not to scratch or damage hearth base, cabinet mantel, or any laminate trim on hearth base. Remove protective material from top of hearth base and from front of firebox (if any).
12. If using optional GA6090 brass trim kit, install the trim after final finishing and/or painting of wall. See instructions included with brass trim accessory for attaching brass trim.
13. Check all gas connections for leaks. See *Checking Gas Connections* in log set owner's manual.

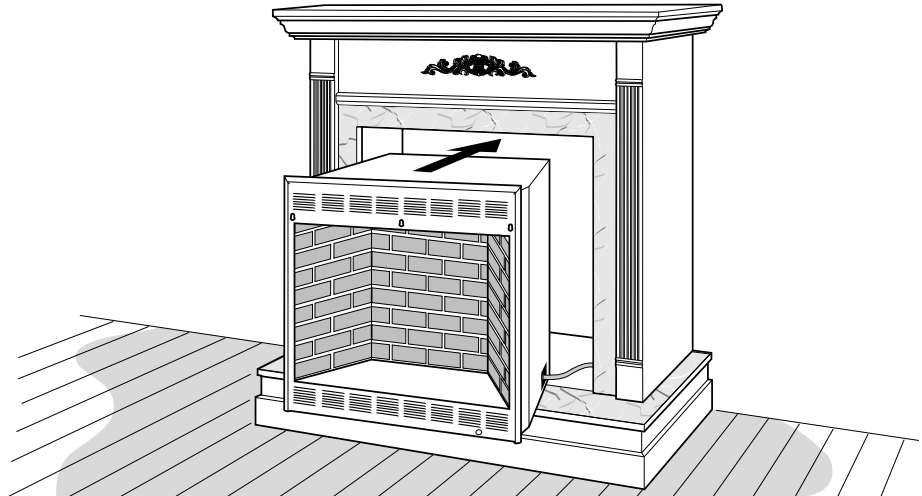


Figure 17 - Inserting Firebox Into Cabinet Mantel

BUILT-IN FIREBOX INSTALLATION

Built-in installation of this firebox involves installing firebox into a framed-in enclosure. This makes the front of firebox flush with wall. If installing a mantel above the firebox, but you must follow the clearances shown in Figure 7, page 11. Follow the instructions below to install the firebox in this manner.

Model #	Height		Front Width		Depth	
	Actual	Framing	Actual	Framing	Actual	Framing
FB32C	32 ³ / ₈ "	33"	34 ⁵ / ₁₆ "	35 ¹ / ₂ "	16 ¹¹ / ₁₆ "	17 ³ / ₄ "
FB32NC	33 ¹¹ / ₁₆ "	34 ¹ / ₄ "	34 ⁵ / ₁₆ "	35 ¹ / ₂ "	16 ¹¹ / ₁₆ "	17 ³ / ₄ "

1. Frame in rough opening. Use dimensions shown in Figure 18 for the rough opening.

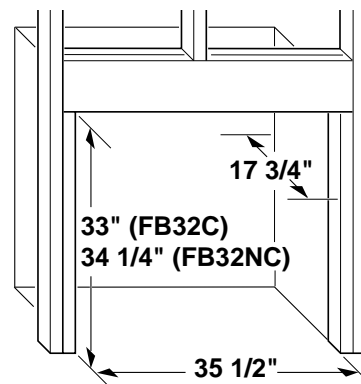


Figure 18 - Rough Opening for Installing in Wall

Continued

INSTALLING

Continued

If installing in a corner, use dimensions shown in Figure 19 for the rough opening. The height is 33" (FB32C) or 34 1/4" (FB32NC), which is the same as the wall opening in Figure 18.

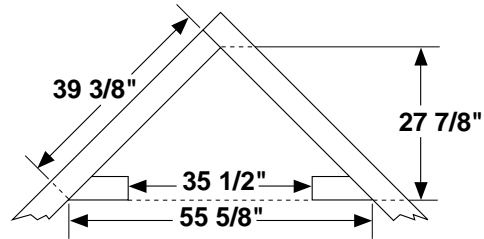


Figure 19 - Rough Opening for Installing in Corner

2. Install gas piping to firebox location. This installation includes an approved flexible gas line (if allowed by local codes) after the manual shutoff valve. The flexible gas line must be the last item installed on the gas piping. See *Connecting to Gas Supply* in log set owner's manual.
3. Carefully set firebox in front of rough opening with back of firebox inside wall opening. **IMPORTANT:** If installing Brass Trim Kit GA6090, see instructions included with brass trim accessory. You must install shoulder screws now.
4. If using GA3500A blower accessory (Model FB32C only), see *Installing Blower Accessory* for built-in installation, page 12.
5. Attach flexible gas line to log set. See *Connecting to Gas Supply* in log set owner's manual.
6. Carefully insert firebox into rough opening.
7. Attach firebox to wall studs using nails or wood screws through holes in nailing flange (see Figure 20).
8. Check all gas connections for leaks. See *Checking Gas Connections* in log set owner's manual.
9. If using optional GA6090 brass trim kit, install the trim after final finishing and/or painting of wall. See instructions included with brass trim accessory for attaching brass trim.

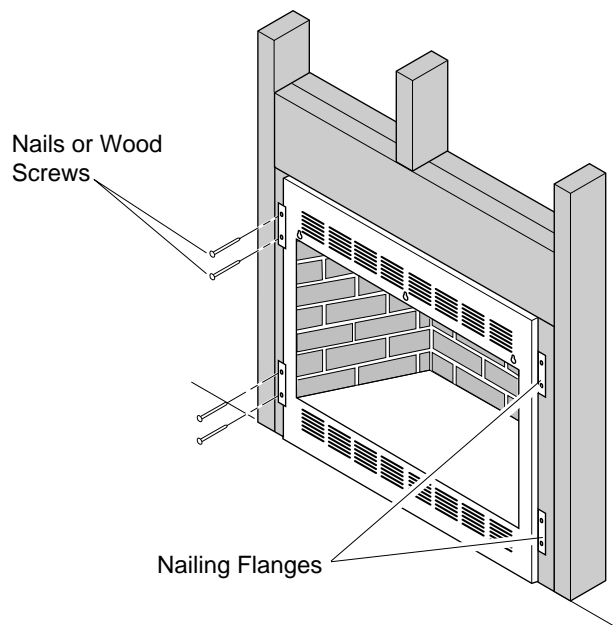


Figure 20 - Attaching Firebox to Wall Studs

TECHNICAL SERVICE

You may have further questions about installation, operation, or troubleshooting. If so, contact DESA International's Technical Service Department at 1-800-DESA LOG (1-800-337-2564).

REPLACEMENT PARTS

Note: Use only original replacement parts. This will protect your warranty coverage for parts replaced under warranty.

Parts Under Warranty

Contact authorized dealers of this product. If they can't supply original replacement part(s), call DESA International's Technical Service Department at 1-800-DESA LOG (1-800-337-2564).

When calling DESA International, have ready

- your name
- your address
- model number of your firebox
- how firebox was malfunctioning
- type of gas used (propane or natural gas)
- purchase date

Usually, we will ask you to return the defective part to the factory.

Parts Not Under Warranty

Contact authorized dealers of this product. If they can't supply original replacement part(s), call DESA International's Parts Department at 1-800-972-7879 for referral information.

When calling DESA International, have ready

- model number of your firebox
- the replacement part number

ACCESSORIES

Purchase these firebox accessories from your local dealer. If they can not supply these accessories, call DESA International's Sales Department at 1-800-432-2382 for information. You can also write to the address listed on the back page of this manual.

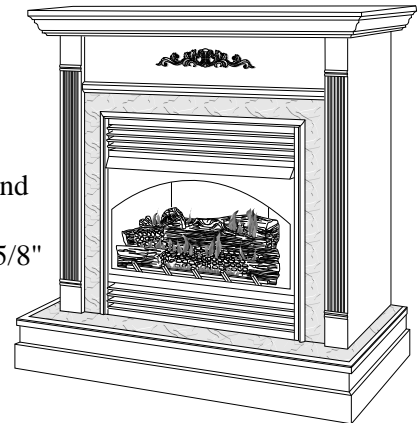
CABINET MANTEL

GM100F Series - Walnut Finished

GM101U Series - Unfinished

Shown with optional base and laminate hearth and mantel trim accessories.

Dimensions (WxHxD): 56-3/4" x 48-3/4" x 20-5/8"



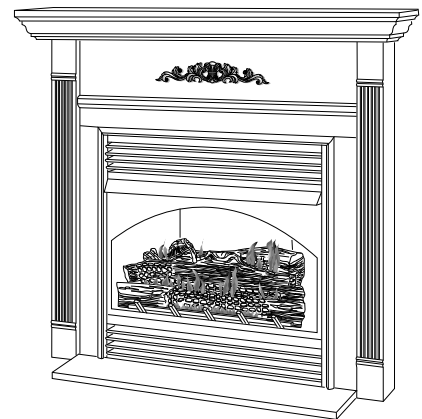
FACE MANTEL

GM400F Series - Walnut Finished

GM401U Series - Unfinished

Shown with optional slim base.

Dimensions (WxHxD): 56-3/4" x 48-3/4" x 7"



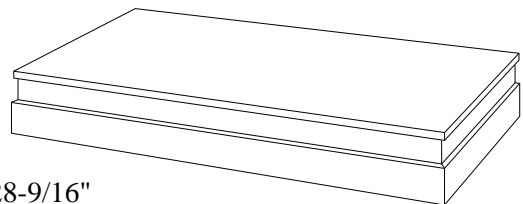
HARDWOOD HEARTH BASE

G3000F Series - Walnut Finished

G3001U Series - Unfinished

The hearth base creates a handsome riser for the firebox (cannot be used with corner mantel or face mantel).

Dimensions (WxHxD): 58" x 6-1/2" x 28-9/16"



SLIM HEARTH BASE

G3005J - Jade Marble Laminate

G3005S - Sandstone Marble Laminate

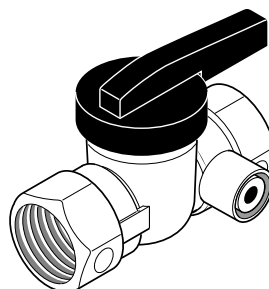
G3005B - Black Onyx Marble Laminate

The slim hearth base allows you to further customize your firebox. Dimensions (WxHxD): 41-7/8" x 5/8" x 10"

MANUAL SHUTOFF

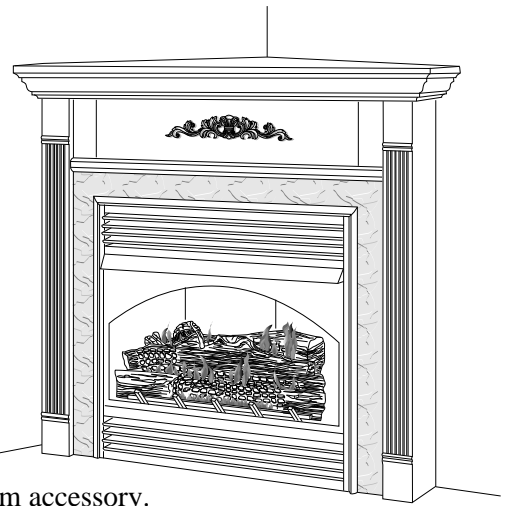
VALVE - GA5010

Manual shutoff valve with 1/8" NPT tap.



ACCESSORIES

Continued



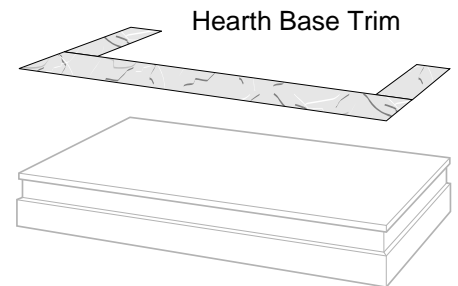
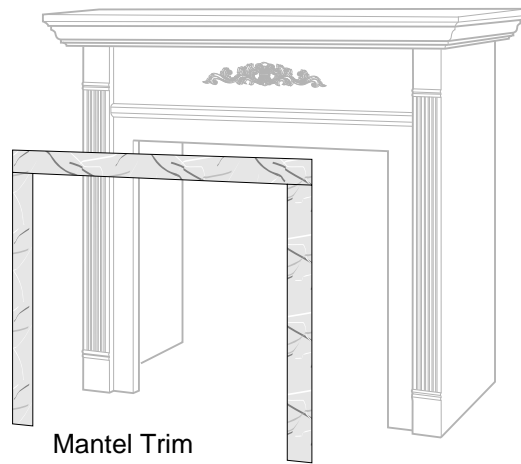
CORNER MANTEL

GM200F Series - Walnut Finished

GM201U Series - Unfinished

Shown with optional laminate mantel trim accessory.

Dimensions (WxHxD): 60-7/8" x 48-3/4" x 34-5/8"



LAMINATE TRIM FOR HEARTH OR MANTEL

G3002J - Jade Marble Laminate Mantel Trim

G3003J - Jade Marble Laminate Hearth Base Trim

G3002S - Sandstone Marble Laminate Mantel Trim

G3003S - Sandstone Marble Laminate Hearth Base Trim

G3002B - Black Onyx Marble Laminate Trim

G3003B - Black Onyx Marble Laminate Hearth Base Trim

Mantel trim for cabinet, face, or corner mantel. Hearth base trim for hardwood hearth bases.

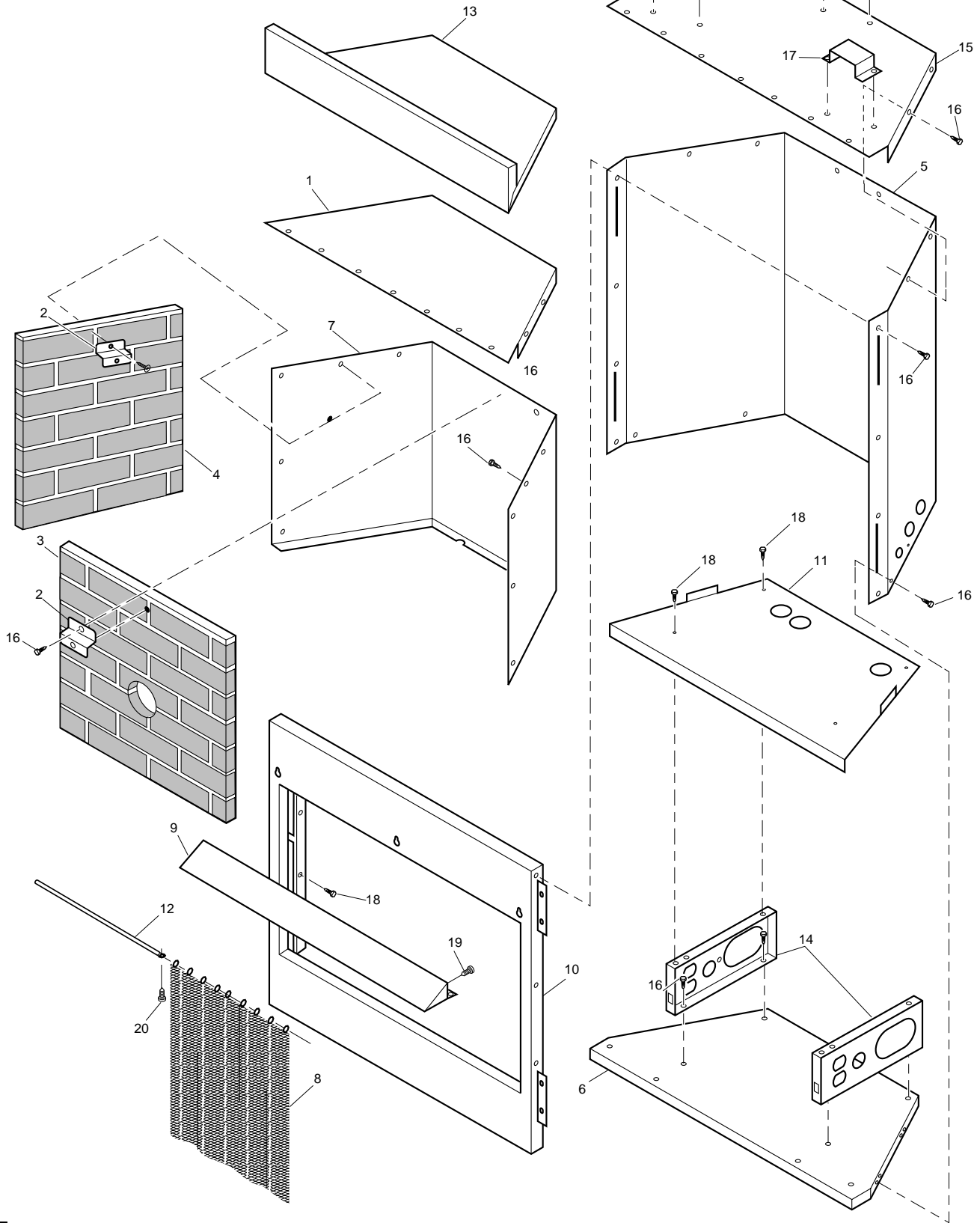
BRASS TRIM ACCESSORY - GA6090

Required with all mantel accessories. Optional with built-in installation. Provides a finished appearance covering rough and/or unfinished mantel edges.

BLOWER ACCESSORY - GA3500A

Use with Model FB32C only. The variable blower allows you to select the desired speed. The blower circulates heated air from the fireplace into the room.

ILLUSTRATED PARTS BREAKDOWN Model FB32NC



PARTS LIST

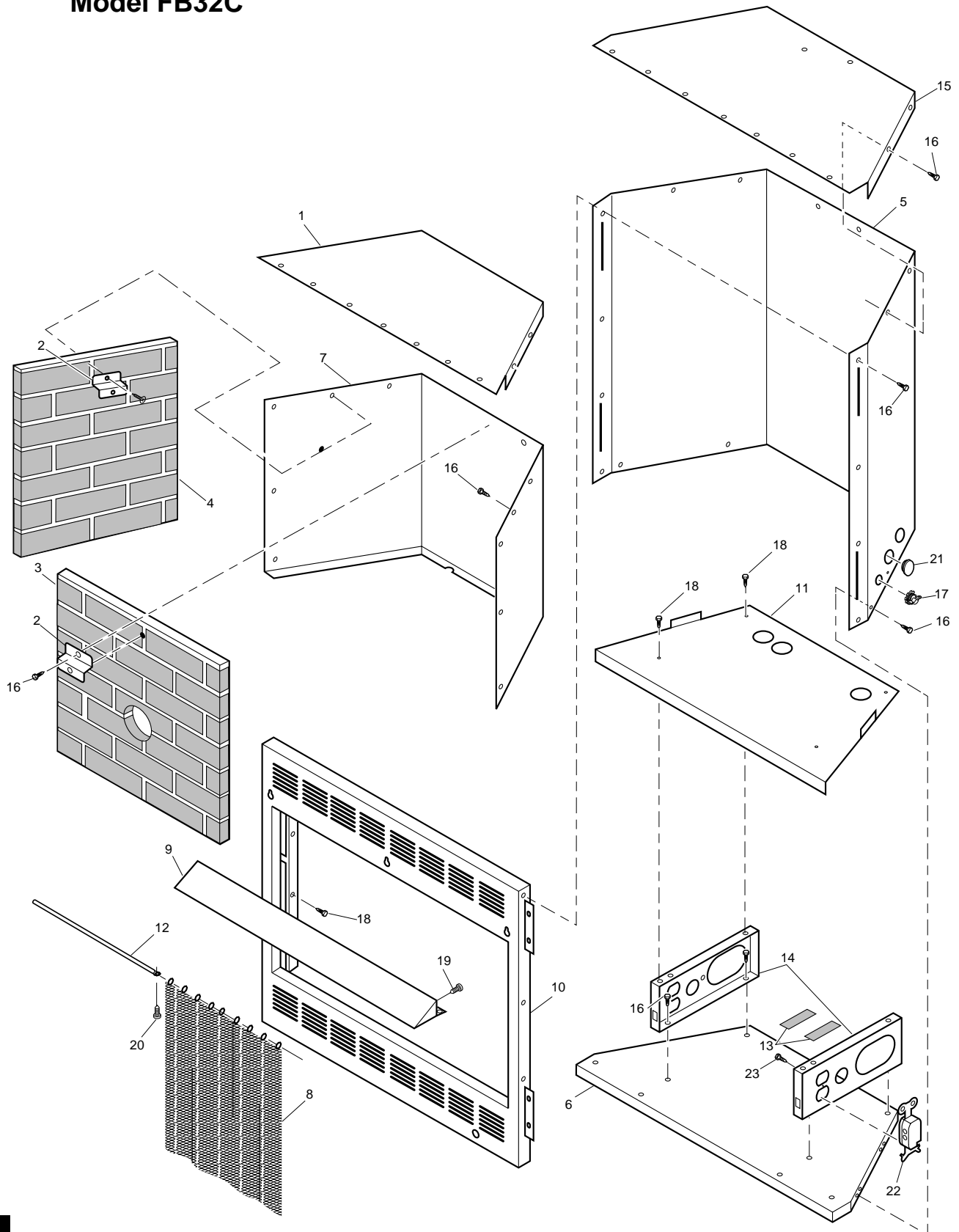
Firebox

This list contains replaceable parts used in your firebox. When ordering parts, follow the instructions listed under *Replacement Parts* on page 19 of this manual.

Model FB32NC

KEY NO.	PART NUMBER	DESCRIPTION	QTY.
1	101872-03	Firebox Top	1
2	101889-01	Firebrick Retainer	3
3	101929-01	Rear Firebrick	1
4	101932-01	Side Firebrick	2
5	103207-01	Outer Casing	1
6	103208-01	Outer Shell Base	1
7	103245-01	Firebox Wrapper	1
8	103297-01	Assembly Screen	2
9	103772-01BR	Hood	1
10	103774-02BR	Front Assembly	1
11	103787-01BR	Firebox Bottom	1
12	103809-01	Screen Rod	2
13	103816-01	Firebox Insulation	1
14	101348-01	Firebox Support	2
15	101357-03	Outer Casing Top	1
16	M11084-26	Hex Head Screw, #10-16	49
17	098194-02	Stand Off	3
18	098304-01	Phillips Pan Head Screw, #10	13
19	099230-01	Hex Head Screw	3
20	099230-02	Shoulder Screw	2
PARTS AVAILABLE — NOT SHOWN			
	097809-02	Male Fitting	1
	101628-02	Flexible Connector	1

ILLUSTRATED PARTS BREAKDOWN Model FB32C



PARTS LIST

Firebox

This list contains replaceable parts used in your firebox. When ordering parts, follow the instructions listed under *Replacement Parts* on page 19 of this manual.

Model FB32C

KEY NO.	PART NUMBER	DESCRIPTION	QTY.
1	101872-03	Firebox Top	1
2	101889-01	Firebrick Retainer	3
3	101929-01	Rear Firebrick	1
4	101932-01	Side Firebrick	2
5	103207-01	Outer Casing	1
6	103208-01	Outer Shell Base	1
7	103245-01	Firebox Wrapper	1
8	103297-01	Assembly Screen	2
9	103772-01BR	Hood	1
10	103774-01BR	Front Assembly	1
11	103787-01BR	Firebox Bottom	1
12	103809-01	Screen Rod	2
13	103770-01	Velcro Strips	2
14	101348-01	Firebox Support	2
15	101357-01	Outer Casing Top	1
16	M11084-26	Hex Head Screw, #10-16	49
17	103771-01	Strain Relief Fitting	1
18	098304-01	Phillips Pan Head Screw, #10	13
19	099230-01	Hex Head Screw	3
20	099230-02	Shoulder Screw	2
21	101629-01	Bushing	2
22	103769-01	Duplex Outlet	1
23	M12461-02	Screw, Outlet Mounting	1
PARTS AVAILABLE — NOT SHOWN			
	097809-02	Male Fitting	1
	101628-02	Flexible Connector	1

WARRANTY INFORMATION

KEEP THIS WARRANTY

Model _____

Serial No. _____

Date Purchased _____

Always specify model and serial numbers when communicating with the factory.

We reserve the right to amend these specifications at any time without notice. The only warranty applicable is our standard written warranty. We make no other warranty, expressed or implied.

LIMITED WARRANTY VENT-FREE FIREBOX

DESA International warrants this product to be free from defects in materials and components for three (3) years from the date of first purchase, provided that the product has been properly installed, operated and maintained in accordance with all applicable instructions. To make a claim under this warranty the Bill of Sale or cancelled check must be presented.

This warranty is extended only to the original retail purchaser. This warranty covers the cost of part(s) required to restore this heater to proper operating condition and an allowance for labor when provided by a DESA Authorized Service Center. Warranty part(s) MUST be obtained through authorized dealers of this product and/or DESA International who will provide original factory replacement parts. Failure to use original factory replacement parts voids this warranty. The heater MUST be installed by a qualified installer in accordance with all local codes and instructions furnished with the unit.

This warranty does not apply to parts that are not in original condition because of normal wear and tear, or parts that fail or become damaged as a result of misuse, accidents, lack of proper maintenance or defects caused by improper installation. Travel, diagnostic cost, labor, transportation and any and all such other costs related to repairing a defective heater will be the responsibility of the owner.

TO THE FULL EXTENT ALLOWED BY THE LAW OF THE JURISDICTION THAT GOVERNS THE SALE OF THE PRODUCT; THIS EXPRESS WARRANTY EXCLUDES ANY AND ALL OTHER EXPRESSED WARRANTIES AND LIMITS THE DURATION OF ANY AND ALL IMPLIED WARRANTIES, INCLUDING WARRANTIES OF MERCHANTABILITY AND FITNESS FOR A PARTICULAR PURPOSE TO THREE (3) YEARS ON ALL COMPONENTS FROM THE DATE OF FIRST PURCHASE; AND DESA INTERNATIONAL'S LIABILITY IS HEREBY LIMITED TO THE PURCHASE PRICE OF THE PRODUCT AND DESA INTERNATIONAL SHALL NOT BE LIABLE FOR ANY OTHER DAMAGES WHATSOEVER INCLUDING INDIRECT, INCIDENTAL OR CONSEQUENTIAL DAMAGES.

Some states do not allow a limitation on how long an implied warranty lasts or an exclusion or limitation of incidental or consequential damages, so the above limitation on implied warranties, or exclusion or limitation on damages may not apply to you.

This warranty gives you specific legal rights, and you may also have other rights that vary from state to state.

For information about this warranty write:

DESA
INTERNATIONAL

2701 Industrial Drive
P.O. Box 90004
Bowling Green, KY 42102-9004

103296-01
Rev. B
11/96