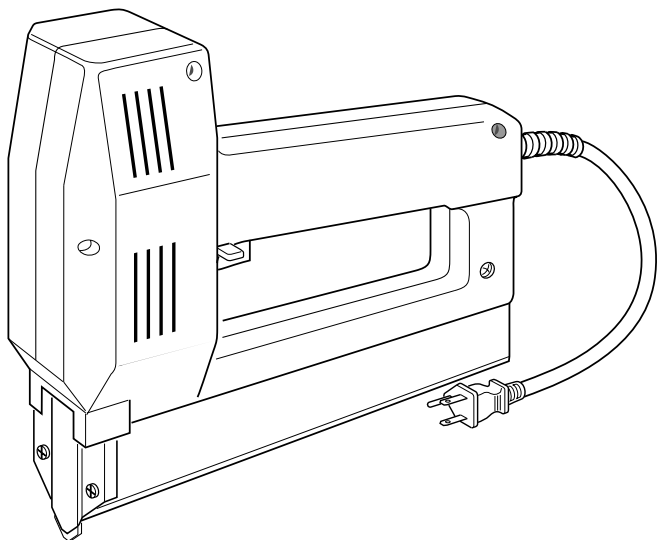


PowerFast



ELECTRIC NAILGUN Model 32003



OPERATING INSTRUCTIONS



Safety Information

⚠️ WARNING

Follow all safety precautions outlined in these operating instructions. Improper use of this tool can cause severe injury or death from fire, electrical shock, or firing nail into body.

Before Operating Tool

1. Read and understand these operating instructions before operating tool.
2. Only well-instructed adults should operate tool. Never allow children to operate tool.
3. Do not operate tool
 - where highly flammable liquids or gases are present
 - while under the influence of alcohol, medication, or drugs
 - if exposed to rain or in damp or wet areas
 - while tired or in a hurry
 - if tool is damaged
 - if trigger does not turn tool on and off. Have faulty switch replaced by factory service center.
4. Make sure tool is grounded while in use. This will protect the operator from electrical shock. This tool has a three-wire cord and a three-prong, grounded plug. Only connect tool to a three-prong, grounded outlet. The green (or green and yellow) wire in the cord is the grounding wire. Never connect the grounding wire to a live terminal. If you have a two-prong outlet, use an adapter (see Figure 1). Attach the green-colored lug (extending from the adapter) to a permanent ground. You can attach lug to a properly grounded outlet box with a metal screw (see Figure 1).

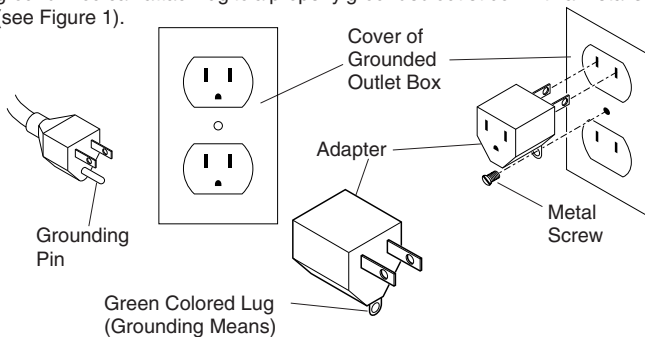


Figure 1

5. Use only three-prong, grounded extension cords marked for outdoor use.
6. Never use this tool
 - where heavy-duty tool is needed
 - where not intended - for example - don't use tool on concrete, metal, or glass
7. Wear snug-fitting clothing when operating tool. Do not wear loose clothing or jewelry. They can get caught in moving parts.
8. Wear the following safety gear when operating tool.
 - rubber gloves and footwear with non-skid soles (outdoors)
 - eye protection conforming to ANSI Z87-1 and OSHA regulations. Make sure anyone in the vicinity of tool wears eye protection.
 - hair covering to contain long hair

9. Keep work area well lit.
10. Move trigger lock to the OFF position and unplug tool
 - when loading tool
 - when not in use
 - when moving from one place to another
 - before maintenance
 - when changing accessories
11. Do not alter this tool in any way. Only use accessories designed for this tool.

During Operation of Tool

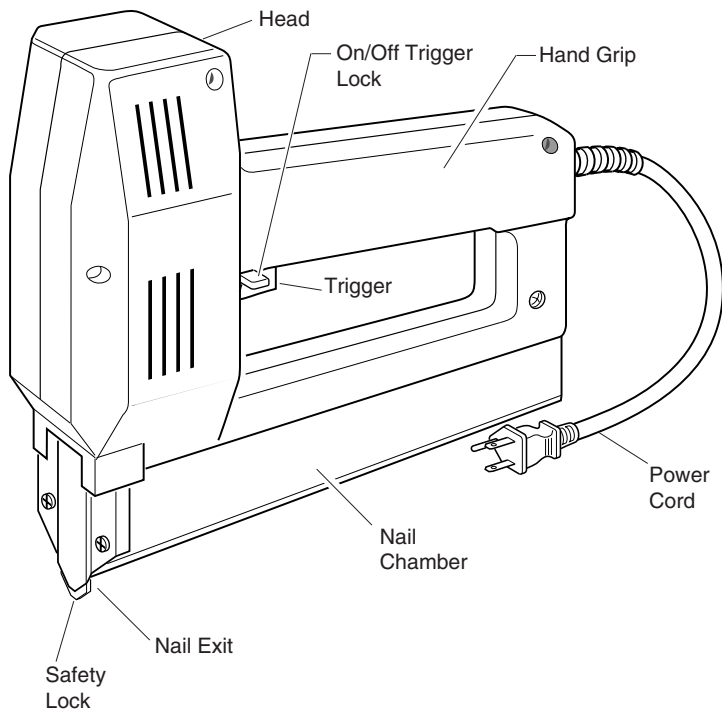
1. Keep all parts of body away from nail opening on tool.
2. Never point tool at anyone.
3. Keep children, animals, and bystanders away from tool and extension cord at all times. Only tool user should be in work area.
4. Stay alert. Use common sense while operating tool.
5. Keep trigger lock in the OFF position and finger off trigger until ready to drive nail.
6. Keep work area clean. Cluttered work areas invite injuries.
7. Secure work before using tool. Use both hands to operate tool.
8. Do not touch any metal part of tool when nailing into areas where electrical wiring may be present. These areas include walls, floors, and ceilings. If nail contacts electrical wire, electric shock may occur.
9. Avoid body contact with grounded objects such as pipes, fences, and metal posts.
10. Do not force tool. Use tool at rate for which it was designed.
11. Do not overreach. Keep proper footing and balance at all times.
12. Carry tool from one place to another
 - with tool unplugged
 - with trigger lock in the OFF position
 - with finger off the trigger

General

1. Inspect tool before and after each use. Check tool closely if it has been damaged. Check for any damage that may affect operation of tool. Check for alignment or binding of moving parts. Check for broken or damaged parts. Do not use tool if damage affects operation. Have damage repaired by factory service center.
2. When servicing, use only identical replacement parts.
3. Maintain tool with care.
 - Never fire tool when empty of nails. This may damage tool.
 - Keep tool clean.
 - Keep handles dry, clean, and free of oil and grease.
 - Inspect power cord often. If damaged, have repaired by factory service center.
 - Never carry tool by power cord.
 - Never yank power cord to unplug it.
 - Keep power cord away from heat, oil, and sharp edges.
 - Inspect extension cords often and replace if damaged.
 - Never oil or grease any part of tool.
4. Always store tool
 - with nails removed from chamber
 - out of children's reach
 - in a high or locked place that is dry

Keep these operating instructions for reference. It is your guide to safe and proper operation of this tool.

Product Identification



Product Features

The PowerFast Electric Nailgun is a multi-purpose tool. This tool is designed for home and workshop. It performs basic nailing jobs from installing paneling, weatherstripping, and molding to making crafts.

Trigger This tool has an easy squeeze trigger. The trigger is located on the underside of the hand grip. Each squeeze of the trigger fires one nail. Make sure your finger is not on the trigger when connecting or loading the tool.

Safety Lock The safety lock is located on the nail exit of tool. The safety lock must be depressed for this tool to operate. Do this by pressing the nail exit of tool against your work surface. This tool will not fire unless this is done.

ON/OFF Trigger Lock This tool is equipped with a sliding ON/OFF trigger lock. The trigger lock is located at the front of the hand grip, just above the trigger. This safety feature helps prevent accidental firing. Make sure the trigger lock reads OFF when plugging in or loading the tool. Also, make sure the trigger lock reads OFF when tool is not in use. To release, slide the trigger lock to read ON.

Extension Cords

⚠ CAUTION

Use only three-prong, grounded extension cords marked for outdoor use.

Be sure to use the right size extension cord. If cord size is wrong, tool may be damaged. Tool performance may also be affected. Use only a three-prong, grounded extension cord.

Extension Cord Size Requirement

1 to 12 feet, use 16 AWG rated cord

12 to 50 feet, use 14 AWG rated cord

Inspect extension cord often. Replace cord if worn or damaged.

Loading Tool

⚠ WARNING

Never load tool while it is plugged in. Accidental discharge may occur. Before loading, move trigger lock to the OFF position and unplug tool.

1. Move trigger lock to the OFF position. See PRODUCT IDENTIFICATION on page 4 to locate trigger lock.
2. Unplug tool.
3. Remove nail pusher from nail chamber. Access nail pusher at rear of nail chamber. Push end of nail pusher in and down to release it (see Figure 2). Pull nail pusher from nail chamber (See Figure 3).

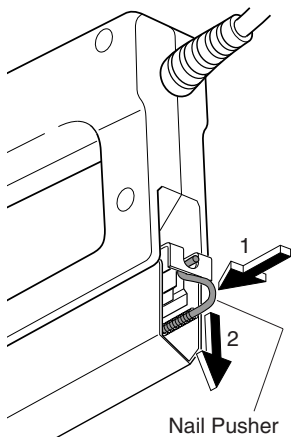


Figure 2

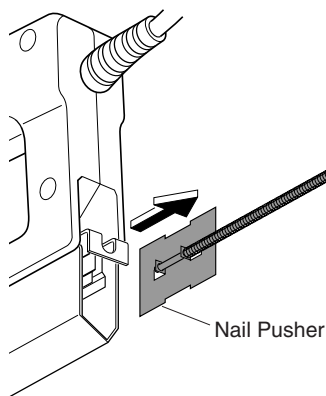


Figure 3

- Insert nails into nail channel through rear of nail chamber (see Figure 4). Make sure nail points are towards bottom of tool.
Note: We recommend that you only use Powerfast brad nails in this tool. Wrong brad nails can cause jamming.
- Replace nail pusher into nail chamber. Do this by inserting flat metal end of nail pusher into nail channel (see Figure 5). Fully push nail pusher into nail chamber. Push hook end of nail pusher up and latch it to nail chamber.

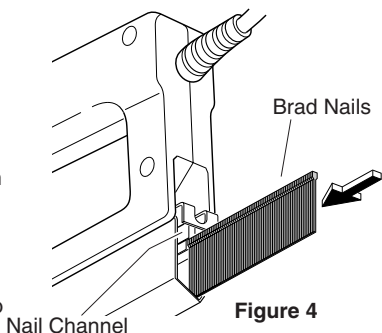


Figure 4

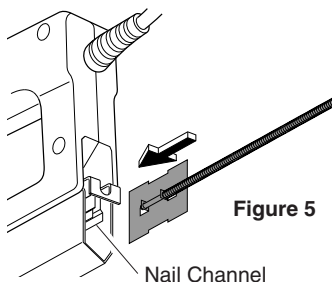


Figure 5

Operating Tool

⚠ WARNING

Keep trigger lock in the OFF position and finger off trigger until ready to drive nail.

⚠ WARNING

Keep all body parts away from nail exit opening on tool.

- Make sure trigger lock is in the OFF position.
- Plug tool into a 115 Volt/60 Hertz outlet.
- Grip tool firmly and hold against work surface. Use enough pressure to depress safety lock. The safety lock is located on nail exit of tool (see Figure 6).
IMPORTANT: The safety lock must be depressed for this tool to operate. This tool will not fire unless this is done.

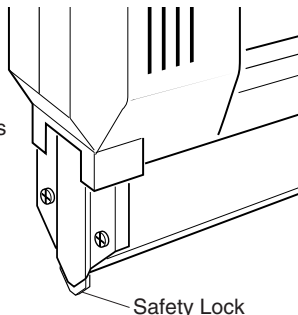


Figure 6

- Slide trigger lock to the ON position.
- Place palm of free hand firmly on head of tool (see Figure 7).
- Squeeze trigger to fire.
- IMPORTANT:** Do not repeatedly fire this tool when empty of nails. This may damage tool.

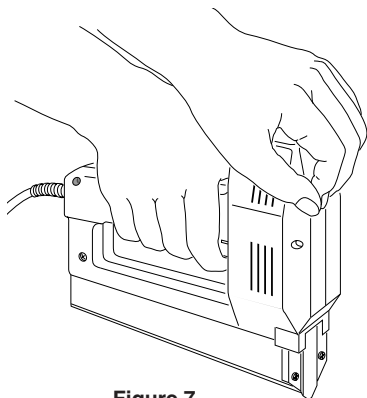


Figure 7

Maintenance

⚠ WARNING

Do not alter this tool in any way. Only use accessories designed for this tool.

⚠ WARNING

Never perform steps listed below while tool is plugged in. Accidental discharge may occur. Move trigger lock to the OFF position and unplug tool.

Tool Jam

- If tool jams, move trigger lock to the OFF position and unplug tool.
- Remove nail pusher (see **LOADING TOOL**, page 5).
- Remove unused nails.
- Remove nail(s) causing jam.
- If unable to clear jam, remove two screws at front of tool above nail exit to remove plates at front of tool. Remove nail(s) causing jam. Reassemble plates at front of tool.
- Reload tool (see **LOADING TOOL**, page 5).

Cleaning

Use a clean cloth to remove dirt from tool. Do not use solvents when cleaning plastic parts.

Lubrication

Do not oil or grease any part of tool. This may damage tool.

IMPORTANT: Do not attempt to repair tool or replace broken parts. Any servicing, except what is listed above, should be done by factory service center.

Nails

We recommend that you only use PowerFast brad nails. These 1" brad nails are available in four nail-head colors. You can choose a nail-head color that will best match the color of your finished project. Powerfast brad nails can be found where you purchased your nailgun.

Part Number	Nail-Head Color
20111	Off White
20112	Light Brown
20113	Medium Brown
20114	Dark Brown

LIMITED ONE YEAR WARRANTY

DESA International warrants this product for a period of one year from date of purchase against original defects in materials or workmanship. If this product fails to perform for either of those reasons, DESA International will repair or replace with an equivalent product at no charge within 45 days of receipt of the defective product.

This warranty gives you specific legal rights. You may also have other rights, which vary from state to state.

To obtain the benefits of this warranty if the product fails due to defects in materials or workmanship, contact:

Technical Service Department
DESA International
2701 Industrial Drive
P.O. Box 90004
Bowling Green, KY 42102-9004