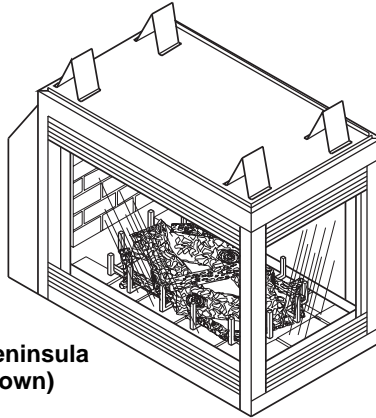


VANGUARD®

DIRECT-VENT GAS FIREPLACE OWNER'S OPERATION AND INSTALLATION MANUAL



(Peninsula
Shown)

EVDDVF36PN (PENINSULA) AND EVDDVF36STN (SEE THRU) NATURAL GAS - ELECTRONIC IGNITION

WARNING: If the information in these instructions is not followed exactly, a fire or explosion may result causing property damage, personal injury, or loss of life.

- Do not store or use gasoline or other flammable vapors and liquids in the vicinity of this or any other appliance.
- WHAT TO DO IF YOU SMELL GAS :
 - Do not try to light any appliance.
 - Do not touch any electrical switch;
 - Do not use any phone in your building.
 - Immediately call your gas supplier from a neighbor's phone. Follow the gas supplier's instructions.
 - If you cannot reach your gas supplier, call the fire department.
- Installation and service must be performed by a qualified installer, service agency, or the gas supplier.

SAVE THIS BOOK

This book is valuable. In addition to instructing you on how to install and maintain your appliance, it also contains information that will enable you to obtain replacement parts or optional accessory items when needed. Keep it with your other important papers.

WARNING: Improper installation, adjustment, alteration, service, or maintenance to this appliance can cause injury or property damage. Refer to this manual. For assistance or additional information consult a qualified installer, service agency, or the gas supplier.

WARNING: This Direct-Vent Gas Fireplace series is intended for use with Natural or Propane/LP gas only. Do not attempt to burn any solid fuels in these appliances.

CHECK LOCAL CODES PRIOR TO INSTALLATION

This appliance may be installed in an aftermarket* permanently located, manufactured (mobile) home, where not prohibited by state or local codes.

This appliance is only for use with the type of gas indicated on the rating plate.

This appliance is not convertible for use with other gases, unless a certified kit is used.

*Aftermarket: Completion of sale, not for purpose of resale, from the manufacturer.

Save this manual for future reference.

VANGUARD DIRECT-VENT GAS FIREPLACE

EVDDVF36PN and EVDDVF36STN

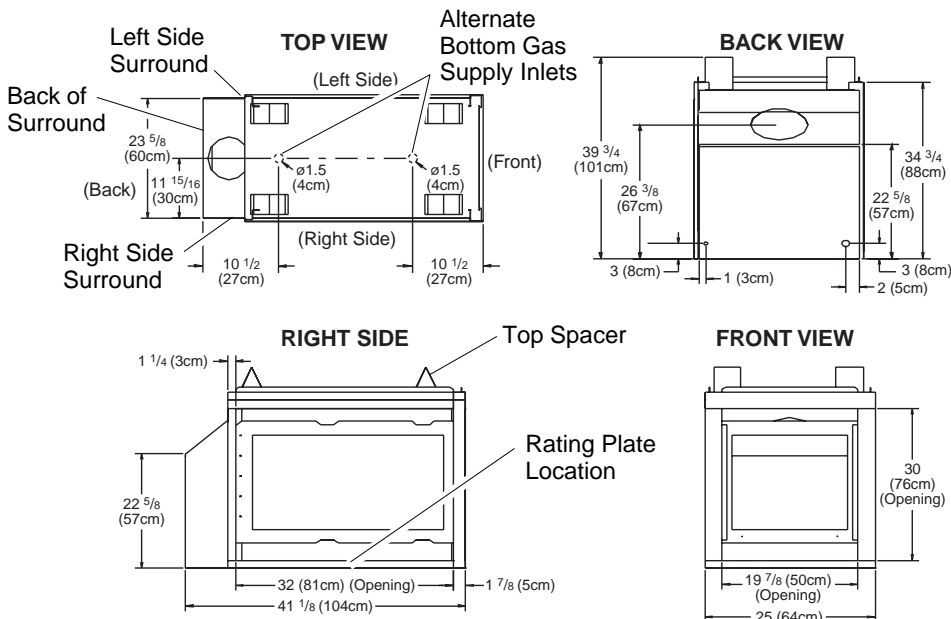


Figure 1 - EVDDVF36PN (Peninsula) Dimensions

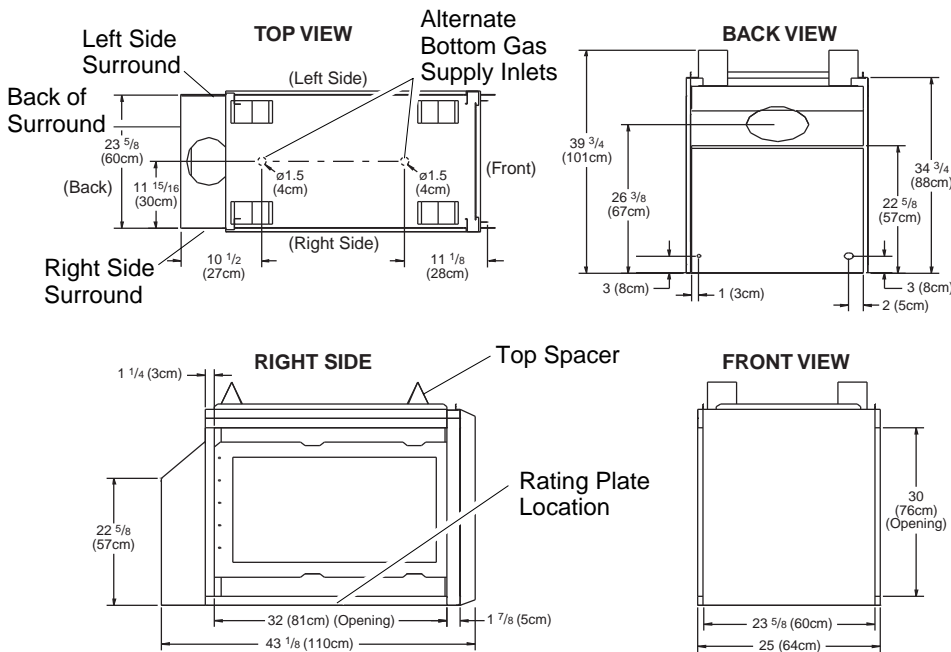


Figure 2 - EVDDVF36STN (See Thru) Dimensions

Note: All dimensions in this manual are in inches unless otherwise specified.

GLOSSARY OF TERMS

Chase - A box-like enclosure to protect venting from the elements when the venting run is on the outside of a structure.

Mastic - A pliable sealant for use around the vent terminal.

Snorkel Termination - A box that raises the horizontal termination above ground level clearances.

Vent Terminal - Mounted on an outside wall or roof to separate the inlet and outlet of the vent system and protect it from weather.

Vinyl Siding Standoff - A metal box that separates the vent cap from vinyl siding.

Wall Thimble/Firestop - A metal plate used to secure the vent pipe when it passes through a wall or ceiling.

INTRODUCTION

Model EVDDVF36PN series is a three-sided direct-vent gas fireplace with a sealed combustion chamber. Model EVDDVF36STN series is a two-sided direct-vent gas fireplace with a sealed combustion chamber. These models are equipped with an electronic direct spark ignition system and require household electricity to operate. A fan kit is available for these models as an option (see *Accessories* on page 26).

NOTICE: Check local building codes for area requirements before installing this appliance.

- Models EVDDVF36PN and EVDDVF36STN use NATURAL GAS ONLY.

If you have any doubts as to which gas your particular appliance is approved and tested for, please check the AGA/CGA rating plate located at the interior of the appliance opening or consult your local distributor (see Figures 1 and 2, page 2).

BEFORE YOU BEGIN

Before beginning the installation of your appliance, read these instructions through completely.

This DESA appliance and its approved components are safe when installed according to this installation manual and operated as recommended by DESA. Unless you use DESA approved components tested for this appliance, **YOU MAY CAUSE A SAFETY HAZARD!**

The DESA warranty will be voided by, and DESA disclaims any responsibility for the following actions:

- A) Modification of the appliance or any of the components manufactured by DESA unless otherwise permitted in writing by DESA.
- B) The use of any components part not approved by DESA in combination with this DESA appliance.
- C) Installation and/or operation in a manner other than instructed in this manual.
- D) The burning of anything other than the type of gas approved for use in this gas appliance.

This appliance, when installed, must be electrically grounded in accordance with local codes, or in the absence of local codes, with the *National Electrical Code, ANS/NFPA 70* or the *Canadian Electrical Code, CSA C22.1*.

The installation must conform with local codes or, in the absence of local codes, with the *National Fuel Gas Code, ANS Z223.1* or the *Canadian Installation Code, CAN/CGAB149*.

This appliance complies with ANS Z21.50-1998/CSA 2.22-M48 as a VENTED GAS FIREPLACE. It is listed and tested by International Approval Services.

NOTICE: This appliance is intended to be used only for supplemental heat.

⚠ WARNING: Installation and repair should be done by a qualified installer/service person. The appliance should be inspected before use, and at least annually thereafter by a qualified service person. More frequent cleaning may be required due to excessive lint from carpeting, bedding, pet hair, etc. It is imperative that the control compartments, burners, and circulating air systems be kept clean.

SELECTING LOCATION

To determine the safest and most efficient location for your appliance, consider the following guidelines:

1. The location must allow for proper clearances (see *Clearances*, page 4).
2. Consider a location where heat output would not be affected by drafts, air conditioning ducts, windows, or doors.
3. A location that avoids the cutting of joists or roof rafters makes installation easier.

In selecting a location, the following precautions must be observed:

1. A projection may be ideal for a new addition on an existing finished wall. See *Horizontal Termination Configuration*, pages 10 and 11, or *Vertical Termination Configuration*, pages 13 and 14.
2. Do not locate appliance close to where gasoline or other flammable liquids may be stored. The appliance must be kept clear and free from combustible materials.
3. Do not connect this appliance to a chimney system used for solid fuel burning fireplace.
4. Due to high temperatures, do not locate this appliance in high traffic areas or near furniture and draperies.
5. This fireplace may be installed in bedrooms or bathrooms in accordance with local codes.
6. Never obstruct the openings of the appliance or flow of ventilation air. Keep the control compartments accessible.
7. Do not use this appliance if any part has been under water. Immediately contact a local service technician to examine the appliance and to replace any part(s) of the control ignition system and other related components that have submerged under water.

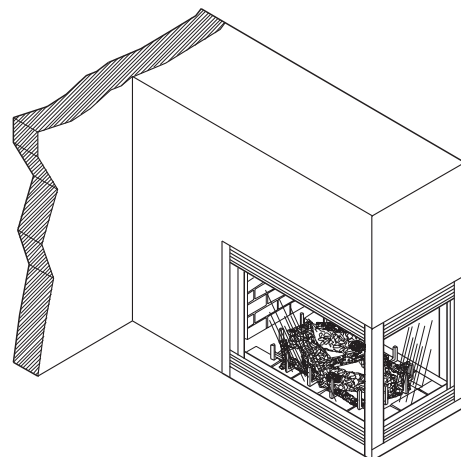


Figure 3 - Possible Installation of Peninsula Fireplace

VANGUARD DIRECT-VENT GAS FIREPLACE

EVDDVF36PN and EVDDVF36STN

PRE-INSTALLATION PREPARATION

CLEARANCES

Minimum clearances to combustibles are:

- Back and Sides of Surround: 0" min.
- Vent Surfaces:
Vertical Runs: 1" (5cm) min.
Top of Horizontal Runs . 2" (5cm) min.
- Ceiling to Opening: ... 36" (91cm) min.
- Floor: 0" min.
- Wall to Front of Glass: 36" (91cm) min.
- Perpendicular Wall to Opening of Unit: 2" (5cm) min.
- Top Spacer: 0" min.

CAUTION: Do not block required air spaces with insulation or any other material. Do not obstruct the effective opening of the appliance with any type of facing material.

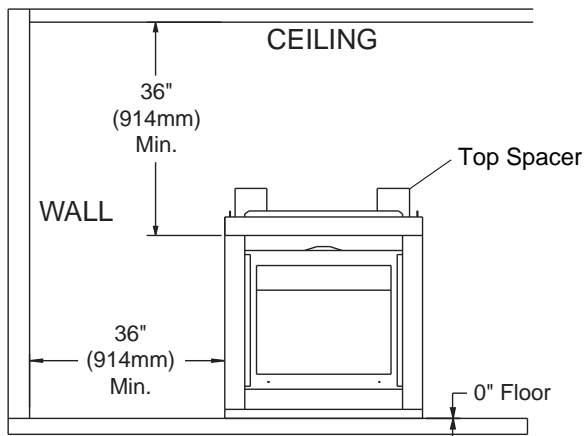


Figure 4 - Minimum Clearances (Peninsula Shown)

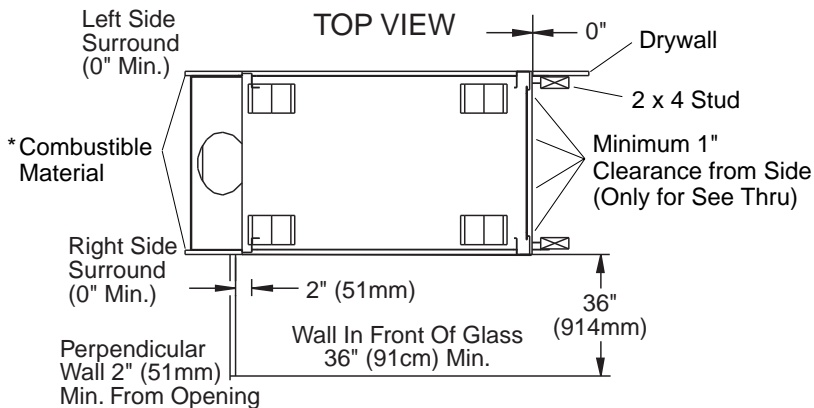


Figure 5 - Minimum Clearances (See Thru Shown)

* May be attached with screws to the surround.

MANTEL CLEARANCES

Woodwork, such as wood trims, mantels, and other combustible materials projecting no more than 1 1/2 inches (3.8cm) shall not be placed within 7 inches (17.8cm) from the opening of the unit. Combustible material above and projecting more than 1 1/2 inches (3.8cm) from the appliance's face must not be placed less than 15 inches (38.1cm) from the louver opening (see Figure 6).

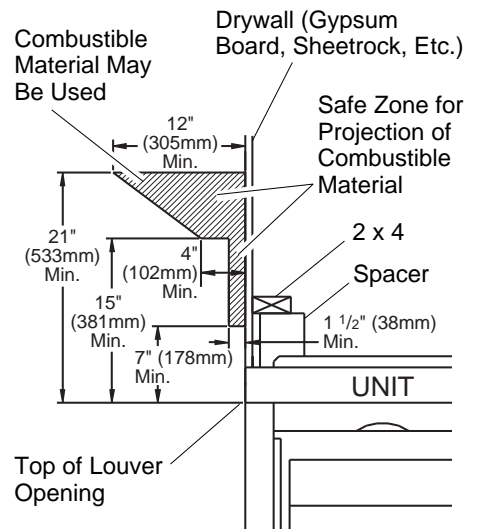


Figure 6 - Mantel Clearances for Peninsula and See Thru Fireplaces (Peninsula Shown)

FRAMING

Once the final location has been determined, observing height clearances for vent termination, you may construct framing using dimensions shown in Figures 7 through 9, page 5, depending on your installation.

If the appliance is to be installed directly on carpeting, tile (other than ceramic), or any combustible material other than wood flooring, the appliance must be installed on a metal or wood panel extending the full width and depth of the appliance. There are three holes on each side of the bottom of the unit where screws can be used to secure the unit to the floor.

OWNER'S MANUAL

PRE-INSTALLATION PREPARATION

Continued

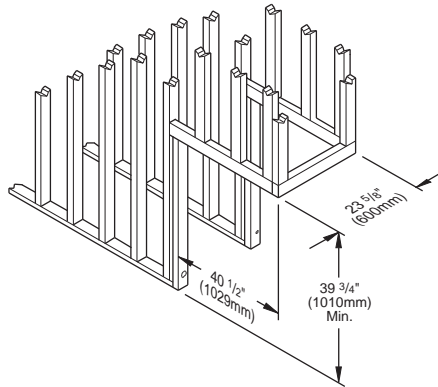


Figure 7 - Rough Opening for Installing Peninsula Fireplace

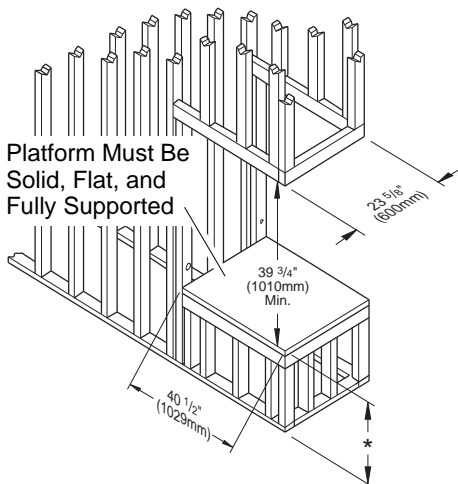


Figure 8 - Rough Opening for Installing Peninsula Fireplace on Platform

* As required by design as long as ceiling clearance is maintained.

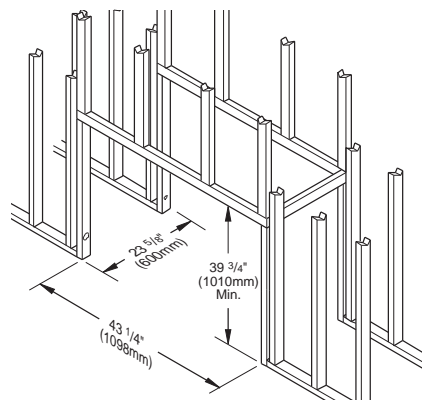


Figure 9 - Rough Opening for Installing See Thru Fireplace

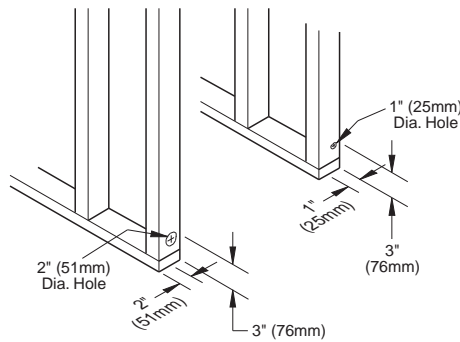


Figure 10 - Hole Locations For Gas Line and Electric Wires for Peninsula and See Thru Fireplaces

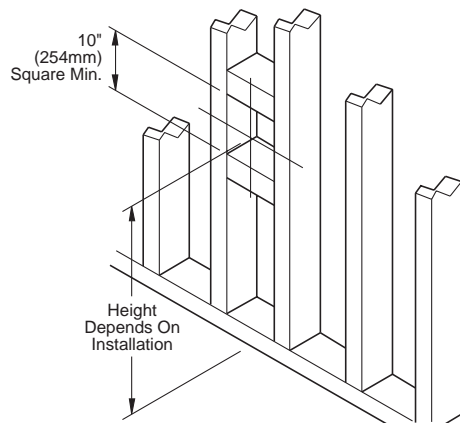


Figure 11 - Rough Opening for Installing Exterior Vent Terminal

Refer to Pages 8 through 14 for Horizontal and Vertical Installation Details

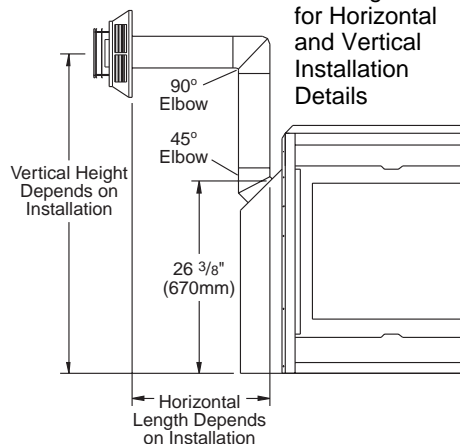


Figure 12 - Vent Opening Height

GENERAL VENTING

These models are approved for use with Simpson Dura-Vent 6 5/8" direct-vent pipe components and terminations as well as both flex and rigid Vanguard vent components.

Your fireplace is approved to be vented either through the side wall, or vertically using the following guidelines:

- Only use Vanguard or Simpson Dura-Vent GS venting components or kits specifically approved for this fireplace.
- Minimum clearance between vent pipes and combustible materials is 1" (25 mm), except where stated otherwise.
- Combustible material may be flush with the top front of fireplace with a maximum thickness of 3/4".
- Do not recess venting terminals into a wall or siding.
- If installing on vinyl siding a vinyl siding standoff must be used (see Figure 19, page 9).
- Install horizontal venting with a 1/4" rise for every 12" of run toward the termination.
- You may paint the vent terminal with 450°F (232°C) heat-resistant paint to coordinate with the exterior finish.
- There must not be any obstruction such as bushes, garden sheds, fences, decks, or utility buildings within 24" from the front of the termination cap.
- Do not locate termination cap where excessive snow or ice build up may occur. Be sure to clear vent termination area after snow falls to prevent accidental blockage of venting system. When using snow blowers, do not direct snow towards vent termination area.

LOCATION OF VENT TERMINATION

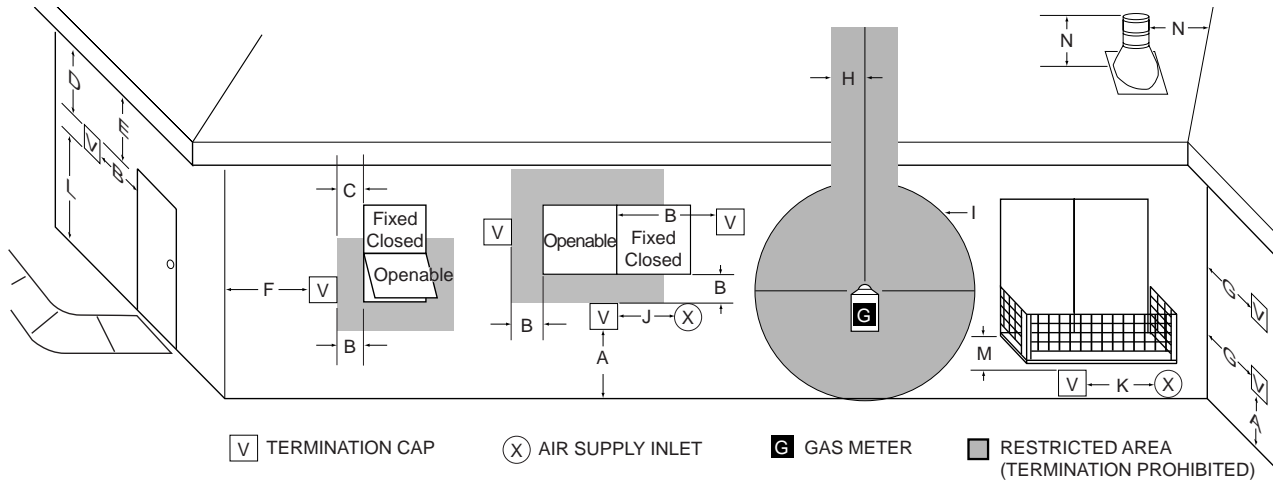
When locating vent termination, it is important to observe the minimum clearances shown in Figure 13, page 6. You will avoid extra framing by positioning your fireplace against an already existing framing member. The sides of the fireplace may be positioned directly against combustible walls.

*Check with local codes or with the current *CAN/CGA B149[.1 or .2] Installation Codes* for Canada or the USA Installations follow the current *National Fuel Gas Code, ANS Z223.1*, also known as NFPA 54.

Continued

VANGUARD DIRECT-VENT GAS FIREPLACE EVDDVF36PN and EVDDVF36STN

GENERAL VENTING *Continued*



- V** TERMINATION CAP **X** AIR SUPPLY INLET **G** GAS METER **■** RESTRICTED AREA (TERMINATION PROHIBITED)
- A** = clearance above grade, veranda, porch, deck, or balcony
 [*12 inches (305mm) minimum]
- B** = clearance to window or door that may be opened
 [12 inches (305mm) minimum]
- C** = clearance to permanently closed window [minimum 12 inches (305mm) recommended to prevent condensation on window]
- D** = vertical clearance to ventilated soffit located above the terminal within a horizontal distance of 24 inches (610mm) from the center-line of the terminal [18 inches (457mm) minimum]
- E** = clearance to unventilated soffit [12 inches (305mm) minimum]
- F** = clearance to outside corner (see below)
- G** = clearance to inside corner (see below)
- H** = *not to be installed above a meter/regulator assembly within 36 inches (914mm) horizontally from the center-line of the regulator
- I** = clearance to service regulator vent outlet [*72 inches (1829mm) minimum]
- J** = clearance to non-mechanical air supply inlet to building or the combustion air inlet to any other fireplace [*12 inches (305mm) minimum]
- K** = clearance to a mechanical air supply inlet [*72 inches (1829mm) minimum]
- L** = † clearance above paved side-walk or a paved driveway located on public property [*84 inches (2133mm) minimum]
- M** = clearance under veranda, porch, deck [*12 inches (305mm) minimum ‡]
- N** = clearance above a roof shall extend a minimum of 24 inches (610mm) above the highest point when it passes through the roof surface and any other obstruction within a horizontal distance of 18 inches (457mm)

† vent shall not terminate directly above a side-walk or paved driveway which is located between two single family dwellings and serves both dwellings*

‡ only permitted if veranda, porch, deck or balcony is fully open on a minimum of 2 sides beneath the floor*

* as specified in CAN/SGA B149 (.1 or .2) Installation Codes (1991) for Canada or for U.S.A. installation follow the current *National Fuel Gas Code, ANS Z223.1*

Note: Local codes or regulations may require different clearances

Termination Clearances for Buildings with Combustible and Noncombustible Exteriors

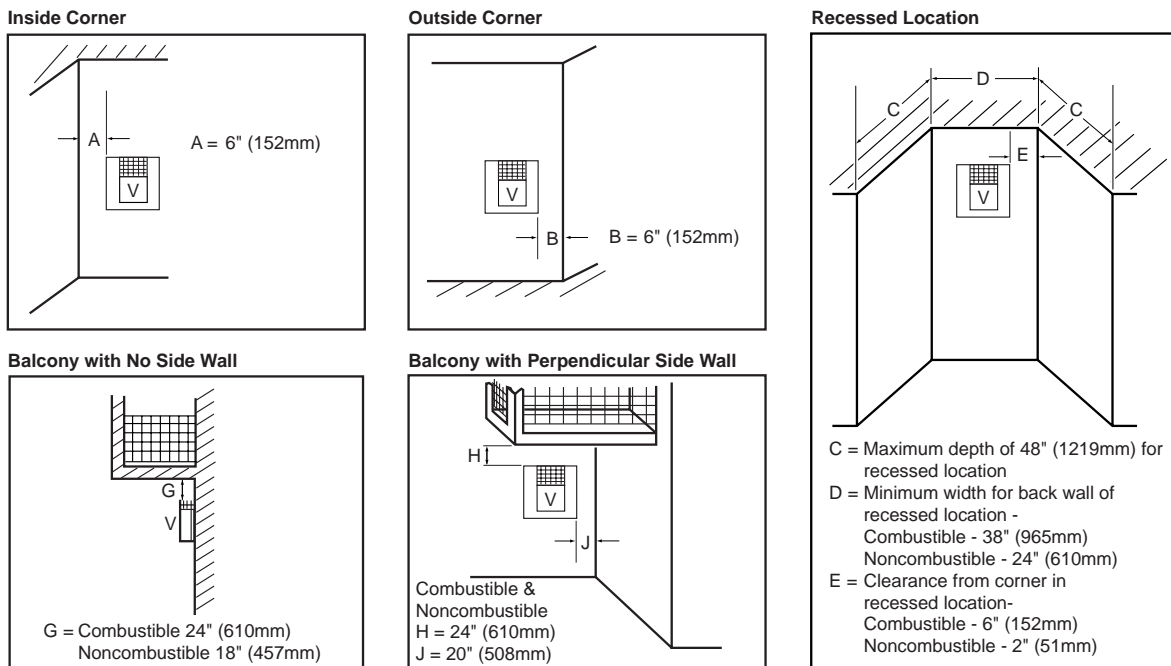


Figure 13 - Minimum Clearances for Vent Terminations

VENTING INSTALLATION

⚠ WARNING: Read all instructions completely and thoroughly before attempting installation. Failure to do so could result in serious injury, property damage or loss of life. Operation of improperly installed and maintained venting system could result in serious injury, property damage or loss of life.

⚠ WARNING: Seal all of the outer pipe connections with high temperature silicone (600°F/316° C) every time a vent connection is made. Before joining elbows and pipes, apply a small bead of high temperature silicone sealant (GE RTV 106/Loctite RTV 81585) to the outer section of male end of the elbow or pipe. High temperature silicone must also be used to re-seal any connections after maintenance to venting system.

NOTICE: Failure to follow these instructions will void the warranty.

INSTALLATION PRECAUTIONS

Consult local building codes before beginning the installation. The installer must make sure to select the proper vent system for installation. Before installing vent kit, the installer must read this fireplace manual and vent kit instructions.

Only a qualified installer or service person should install venting system. The installer must follow these safety rules:

- Wear gloves and safety glasses for protection
- Use extreme caution when using ladders or when on roof tops
- Be aware of electrical wiring locations in walls and ceilings

The following actions will void the warranty on your venting system:

- Installation of any damaged venting component
- Unauthorized modification of the venting system

- Installation of any component part not manufactured or approved by DESA International
- Installation other than as instructed by these instructions

⚠ WARNING: This gas fireplace and vent assembly must be vented directly to the outside. The venting system must NEVER be attached to a chimney serving a separate solid fuel burning appliance. Each gas appliance must use a separate vent system. Do not use common vent systems.

⚠ WARNING: Horizontal sections of this vent system require a minimum clearance of 2" from the top of the vent pipe and 1" minimum to the sides and bottom. Vertical sections of this system require a minimum of 1" clearance to combustible materials on all sides of the vent pipe.

INSTALLATION PLANNING

There are two basic types of direct-vent installation:

- Horizontal Termination
- Vertical Termination

It is important to select the proper length of vent pipe for the type of termination you choose. It is also important to note the wall thickness.

For Horizontal Termination: Select the amount of vertical rise desired. The horizontal run of venting must have 1/4" rise for every 12" of run towards the termination.

⚠ WARNING: Never run the vent downward as this may cause excessive temperatures which could cause a fire.

You may use one or two 90° elbows in this vent configuration. See *Horizontal Termination Configurations* on pages 10 and 11.

For Vertical Termination: Measure the distance from the fireplace flue outlet to the ceiling. Add the ceiling thickness, the vertical rise in an attic or second story, and allow for sufficient vent height above the roofline.

You may use one or two 90° elbows in this vent configuration. See *Vertical Termination Configurations* on pages 13 and 14.

Note: You may use two 45° elbows in place of a 90° elbow. You must follow rise to run ratios when using 45° elbows.

For two-story applications, firestops are required at each floor level. If an offset is needed in the attic, additional pipe and elbows will be required.

You may use a chase with a vent termination with exposed pipe on the exterior of the house. See *Installing Vent System in a Chase*, below.

Your Vanguard direct-vent fireplace has been tested for a minimum 3' rise with a maximum 10" wall thickness. The maximum horizontal run is 20' with 8' vertical rise (see *Installation for Horizontal Termination*, page 8). The maximum vertical run is 30' (see *Installation for Vertical Termination*, page 12).

It is very important that the venting system maintain its balance between the combustion air intake and the flue gas exhaust. Certain limitations apply to vent configurations and must be strictly followed.

Installing Vent System in a Chase

A chase is a vertical box-like structure built to enclose venting that runs along the outside of a building. A chase is not required for such venting.

NOTICE: Treatment of firestops and construction of the chase may vary from building type to building type. These instructions are not substitutes for the requirements of local building codes. You must follow all local building codes.

Note: When installing in a chase, you should insulate the chase as you would the outside walls of your home. This is especially important in cold climates. Minimum clearance between vent pipes and combustible materials such as insulation is 1".

After framing the chase (see *Framing* on pages 4 and 5) install the vent system by following the installation instructions.

Continued

VANGUARD DIRECT-VENT GAS FIREPLACE EVDDVF36PN and EVDDVF36STN

VENTING INSTALLATION

Continued

INSTALLATION FOR HORIZONTAL TERMINATION

1. Determine the route your horizontal venting will take. *Note:* The location of the horizontal vent termination on the exterior wall must meet all local and national building codes and must not be easily blocked or obstructed.

⚠ WARNING: Do not recess vent terminal into a wall or siding.

Snorkel terminations are available for terminations requiring a vertical rise on the exterior of the building (see Figures 14 and 15). Snorkel kit SVK is also available (see page 15). Follow the same installation procedures used for standard horizontal terminations. If installing the snorkel termination below grade (basement applications), you must provide proper drainage to prevent water from entering the snorkel termination (see Figure 15). Do not back fill around the snorkel termination.

2. Rigid vent pipes and fittings have special twist-lock connections. Assemble the desired combination of pipe and elbows to the appliance adaptor with pipe seams oriented towards the wall or floor.

Twist-lock Procedure: The female ends of the pipes and fittings have four locking lugs (indentations). These lugs will slide straight into matching slots on the male ends of adjacent pipes and fittings. (All connections must be sealed with high temperature silicone sealant as specified in the second warning statement on page 7.) Push the pipe sections together and twist one section clockwise approximately one-quarter turn until the sections are fully locked. See Figure 16, page 9. *Note:* Horizontal runs of vent must be supported every three feet. Use wall straps for this purpose.

Flexible vent pipe must be installed with spacer springs every 12". See Figure 16, page 9. All connections must be clamped tightly and sealed with high temperature silicone sealant as specified in the second warning statement on page 7.

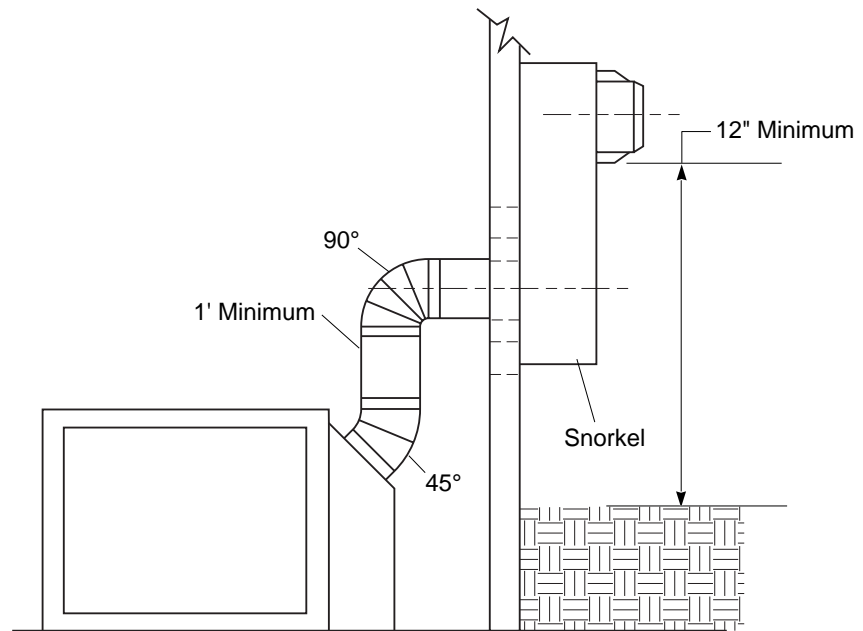


Figure 14 - Snorkel Termination

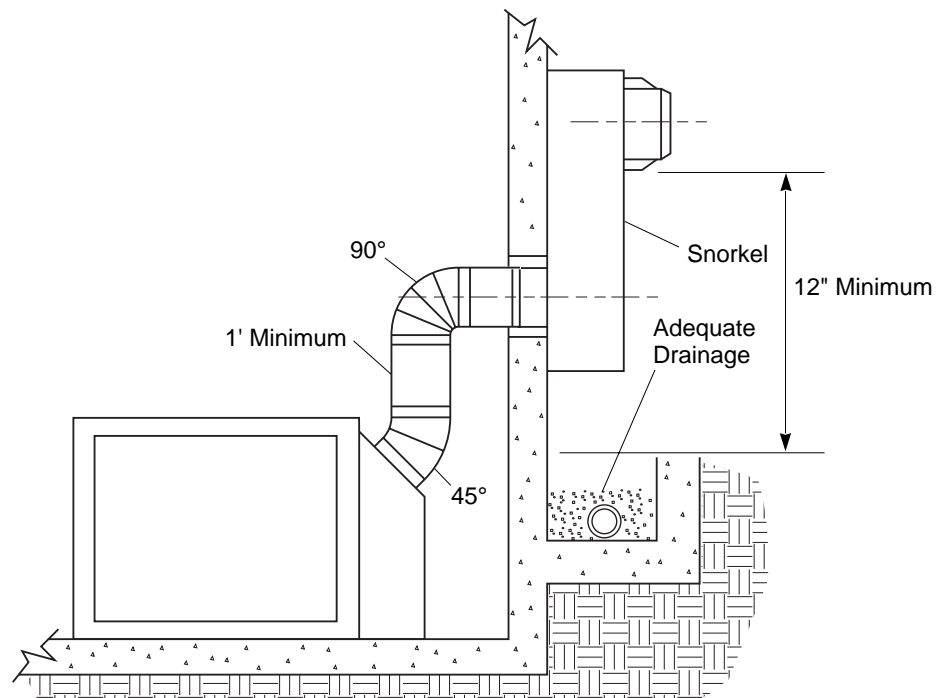


Figure 15 - Snorkel Termination with Drainage Pipe

VENTING INSTALLATION

Continued

- Attach vent pipe assembly to the fireplace. Set fireplace in front of its permanent location to insure minimum clearances. Mark the wall for a 10" square hole (for noncombustible material such as masonry block or concrete, a 7 1/2" diameter hole is acceptable). See Figure 17. The center of the hole should line up with the centerline of the horizontal rigid vent pipe. Cut a 10"x10" (254mm x 254mm) square hole through combustible exterior wall (7 1/2" [190mm] diameter hole if noncombustible). Frame as necessary (see Figure 17).

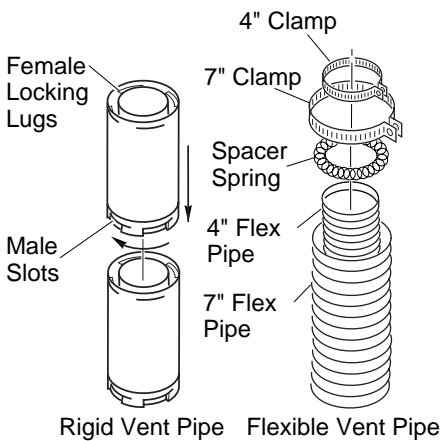


Figure 16 - Vent Pipe Connections

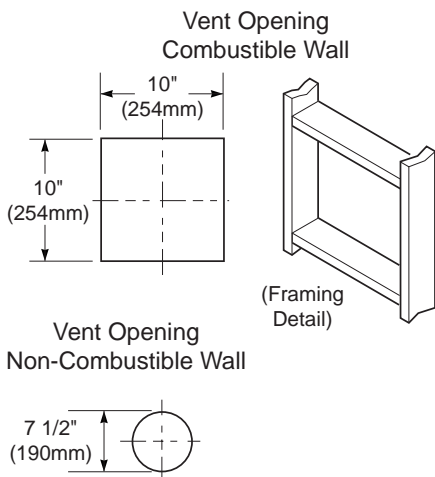


Figure 17 - Vent Opening Requirements

- Apply a bead of non-hardening mastic around the outside edge of the vent cap. Position the vent cap in the center of the 7 1/2" or 10" hole on the exterior wall with the arrow on the vent cap pointing up. Insure proper clearance of 1" to combustibles is maintained. Attach the vent cap with four wood screws supplied (see Figure 18). **Note:** Replace the wood screws with appropriate fasteners for stucco, brick, concrete, or other types of siding.

WARNING: Do not recess vent termination in to any wall. This will cause a fire hazard.

For vinyl siding use vinyl siding stand-offs between vent cap and exterior wall. The vinyl siding standoff prevents excessive heat from melting the vinyl siding material. Bolt the vent cap to the standoff. Apply non-hardening mastic around outside edge of the standoff instead of the vent cap assembly. Use wood screws provided to attach the standoff. See Figure 19.

- Slide the wall thimble over the vent pipe before connecting the horizontal run to the vent cap (see Figure 20).

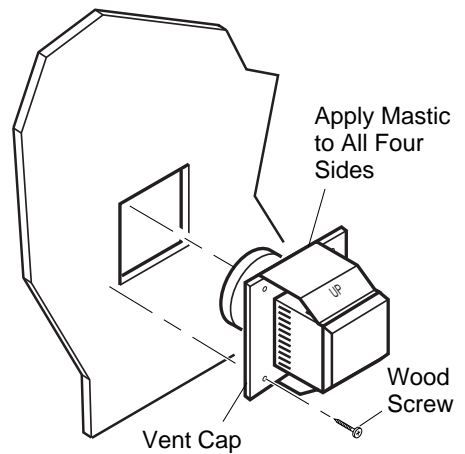


Figure 18 - Installing Horizontal Vent Cap

- Carefully move the fireplace with vent assembly attached toward the wall and insert the vent pipe into the horizontal termination. The pipe overlap should be a minimum of 1 1/4". Apply silicone to the connection. Fasten all vent connections with screws provided. Refer to *Framing* on pages 4 and 5 for instructions on securing unit to framing or floor.
- Slide the wall thimble against the interior wall surface and attach with screws provided (see Figure 20).

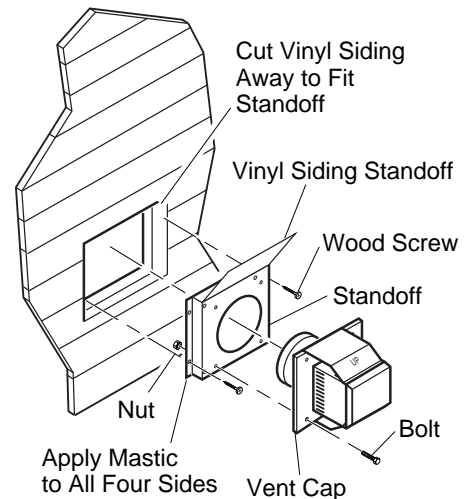


Figure 19 - Installing Vinyl Siding Standoff

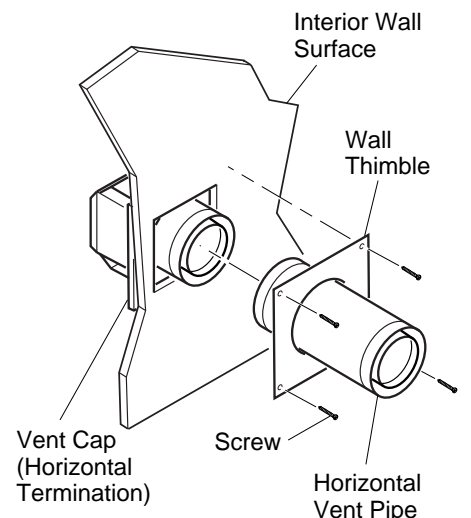


Figure 20 - Connecting Vent Cap with Horizontal Vent Pipe

VANGUARD® DIRECT-VENT GAS FIREPLACE

EVDDVF36PN and EVDDVF36STN

VENTING INSTALLATION

Continued

Horizontal Termination Configurations

Figures 21 through 23 show different configurations for venting with horizontal termination. Each figure includes a chart with vertical minimum/maximum and horizontal maximum dimensions which must be met. All connections must be sealed with high temperature silicone sealant as specified in the second warning statement on page 7. All horizontal terminations require 1/4" rise per 12" of horizontal run.

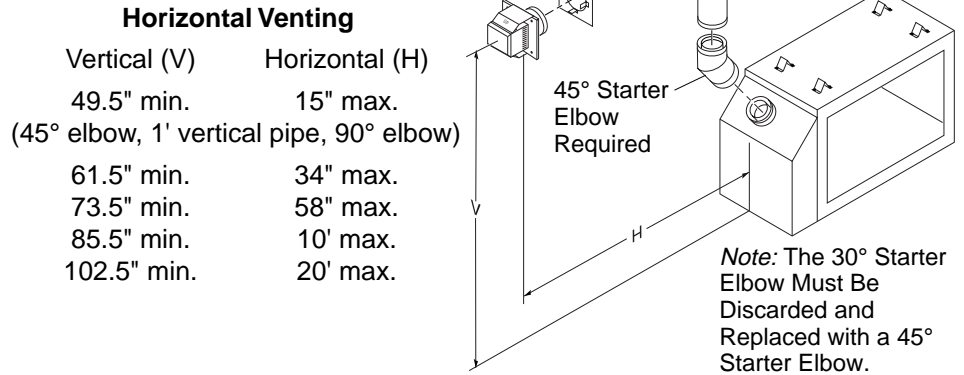


Figure 21 - Horizontal Termination Configuration for Rigid Venting Using One 90° Elbow

Horizontal Venting

See information in Figure 21 for Vertical(V) and Horizontal(H) maximums and minimums. The same amounts apply for flexible venting.

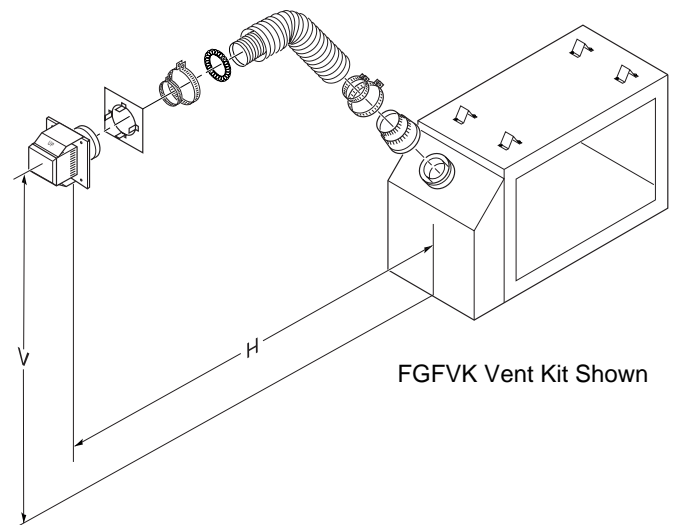


Figure 22 - Horizontal Termination Using Flexible Venting

VENTING INSTALLATION *Continued*

Venting with Two 90° Elbows

Vertical (V)	Horizontal (H ₁) + Horizontal (H ₂)
5' min.	4' max.
6' min.	8' max.
7' min.	10' max.
8' min.	15' max.
20' max.	20' max.

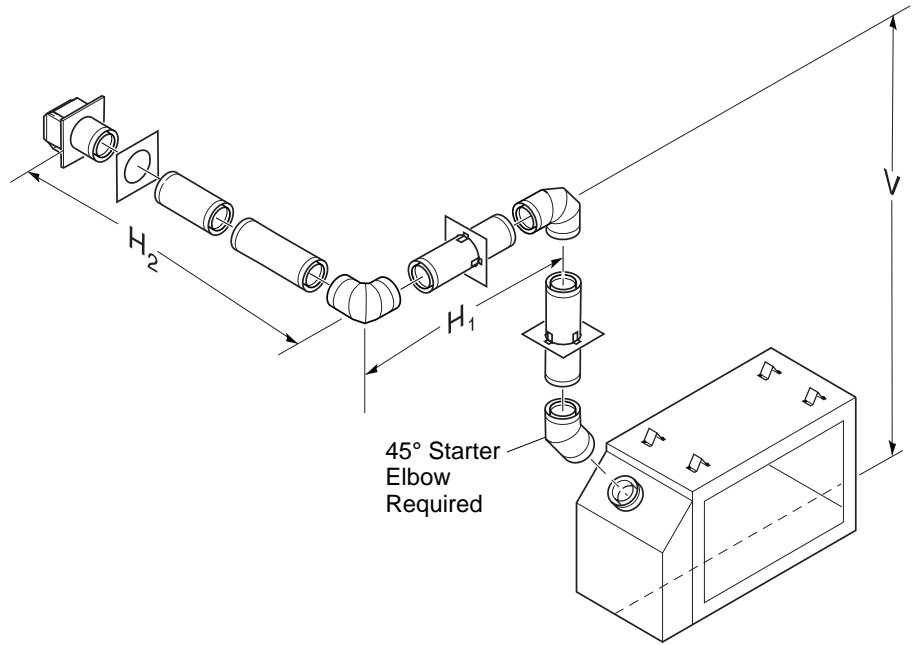


Figure 23 - Horizontal Termination Configuration for Rigid Venting Using Two 90° Elbows with Termination at 90° with Fireplace

Continued

VANGUARD® DIRECT-VENT GAS FIREPLACE

EVDDVF36PN and EVDDVF36STN

VENTING INSTALLATION

Continued

INSTALLATION FOR VERTICAL TERMINATION

NOTICE: Use rigid pipe only. Flex venting is not to be used with a vertical termination.

1. Determine the route your vertical venting will take. If ceiling joists, roof rafters, or other framing will obstruct the venting system, consider an offset (see Figure 24) to avoid cutting loadbearing members. *Note:* Pay special attention to these installation instructions for required clearances (air space) to combustibles when passing through ceilings, walls, roofs, enclosures, attic rafters, etc. Do not pack air spaces with insulation. Also note maximum vertical rise of the venting system and any maximum horizontal offset limitations. Offsets must fall within the parameters shown in Figure 13 on page 6.
2. Set the fireplace in desired location. Drop a plumb line down from the ceiling to the position of the fireplace exit flue. Mark the center point where the vent will penetrate the ceiling. Drill a small locating hole at this point.
Drop a plumb line from the inside of the roof to the locating hole in the ceiling. Mark the center point where the vent will penetrate the roof. Drill a small locating hole at this point.

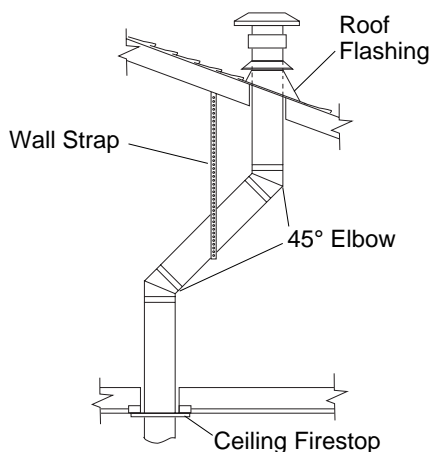
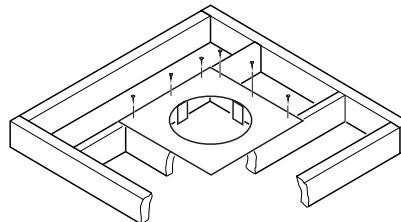


Figure 24 - Offset with Wall Strap and 45°

Flat Ceiling Installation

1. Cut a 10" square hole in the ceiling using the locating hole as a center point. The opening should be framed to 10"x10" (254mm x 254mm) inside dimensions, as shown in Figure 17 on page 9 using framing lumber the same size as the ceiling joists. If the area above the ceiling is an insulated ceiling or a room, nail firestop from the top side. This prevents loose insulation from falling into the required clearance space. Otherwise, install firestop below the framed hole. The firestop should be installed with no less than three nails per side (see Figure 25).
2. Assemble the desired lengths of pipe and elbows necessary to reach from the fireplace flue up through the firestop. All connections must be sealed with high temperature silicone sealant as specified in the second warning statement on page 7. Be sure all pipe and elbow connections are fully twist-locked (see Figure 16, page 9).
3. Cut a hole in the roof using the locating hole as a center point. (Cover any exposed open vent pipes before cutting hole in roof.) The 10"x10" hole must be measured on the horizontal; actual length may be larger depending on the pitch of the roof. There must be a 1" clearance from the vent pipe to combustible materials. Frame the opening as shown in Figure 17 on page 9.

If area above is a room, install firestop above framed hole.



If area above is not a room, install firestop below framed hole.

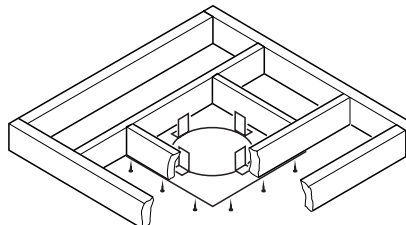


Figure 25 - Installing Firestop

4. Connect a section of pipe and extend up through the hole.

Note: If an offset is needed to avoid obstructions, you must support the vent pipe every 3 feet. Use wall straps for this purpose (see Figure 24). Whenever possible, use 45° elbows instead of 90° elbows. The 45° elbow offers less restriction to the flow of the flue gases and intake air.

5. Place the flashing over the pipe section(s) extending through the roof. Secure the base of the flashing to the roof and framing with roofing nails. Be sure roofing material overlaps the top edge of the flashing as shown in Figure 24. There must be a 1" clearance from the vent pipe to combustible materials.
6. Continue to add pipe sections until the height of the vent cap meets the minimum building code requirements described in Figure 13 on page 6. *Note:* You must increase vent height for steep roof pitches. Nearby trees, adjoining rooflines, steep pitched roofs, and other similar factors may cause poor draft or down-drafting in high winds. Increasing the vent height may solve this problem.
7. Twist-lock the vent cap onto the last section of vent pipe and seal with high temperature silicone sealant as specified in the second warning statement on page 7.

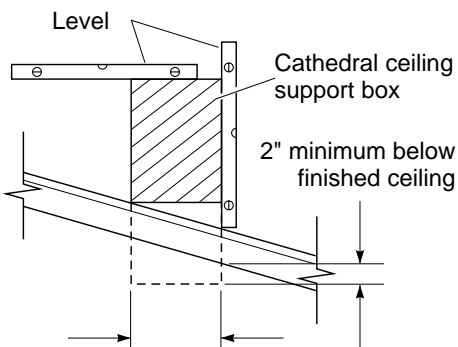
Note: If the vent pipe passes through any occupied areas above the first floor, including storage spaces and closets, you must enclose pipe. You may frame and sheetrock the enclosure with standard construction material. Make sure and meet the minimum allowable clearances to combustibles. Do not fill any of the required air spaces with insulation.

Cathedral Ceiling Installation

1. Remove shingles or other roof covering as necessary to cut the rectangular hole for the support box. Mark the outline of the cathedral ceiling support box on the roof sheathing using the locating hole as a center point.
2. Cut the hole 1/8" larger than the support box outline (see Figure 26, page 13).

VENTING INSTALLATION *Continued*

- Lower the support box through the hole in the roof until the bottom of the box extends at least 2" below the ceiling (see Figure 26). Align the support box vertically and horizontally using a level. Temporarily tack the support box in place through the inside walls and into the roof sheathing.
- Using tin snips, cut the support box from the top corners down to the roofline and fold the resulting flaps over the roof sheathing (see Figure 27). Apply a bead of non-hardening mastic around the top edges of the support box to make a seal between the box and the roof. Nail in place with roofing nails. Remove any combustible material that might be inside of the support box.
- Complete the cathedral ceiling installation by following the same procedures outlined in steps 2 through 7 for *Flat Ceiling Installation*, page 12.



Cut hole 1/8" larger than support box when projected onto roofline

Figure 26 - Cathedral Ceiling Support Box Installation

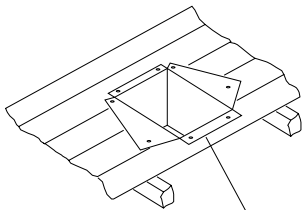


Figure 27 - Installed Cathedral Ceiling Support Box

Vertical Termination Configurations

Figures 28 through 31 show four different configurations for vertical termination. All connections must be sealed with high temperature silicone sealant as specified in the second warning statement on page 7.

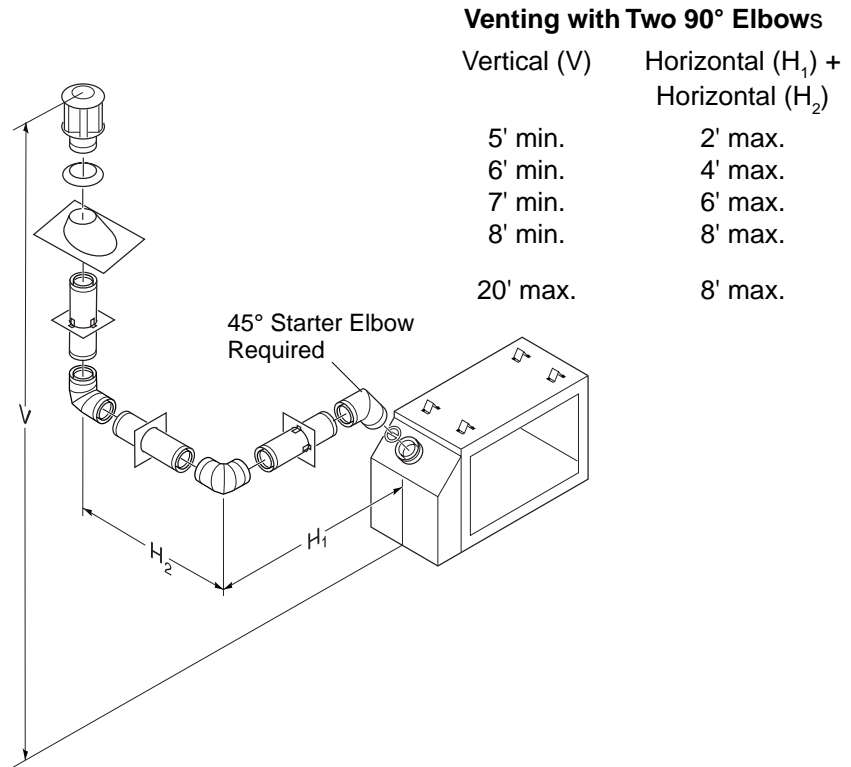


Figure 28 - Vertical Rigid Venting Configuration Using Two 90° Elbows with Two Horizontal Runs

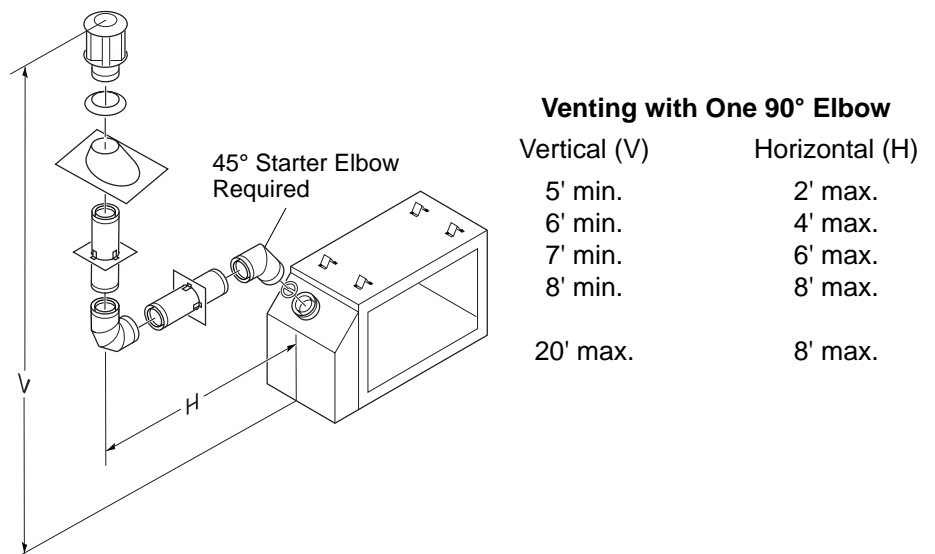


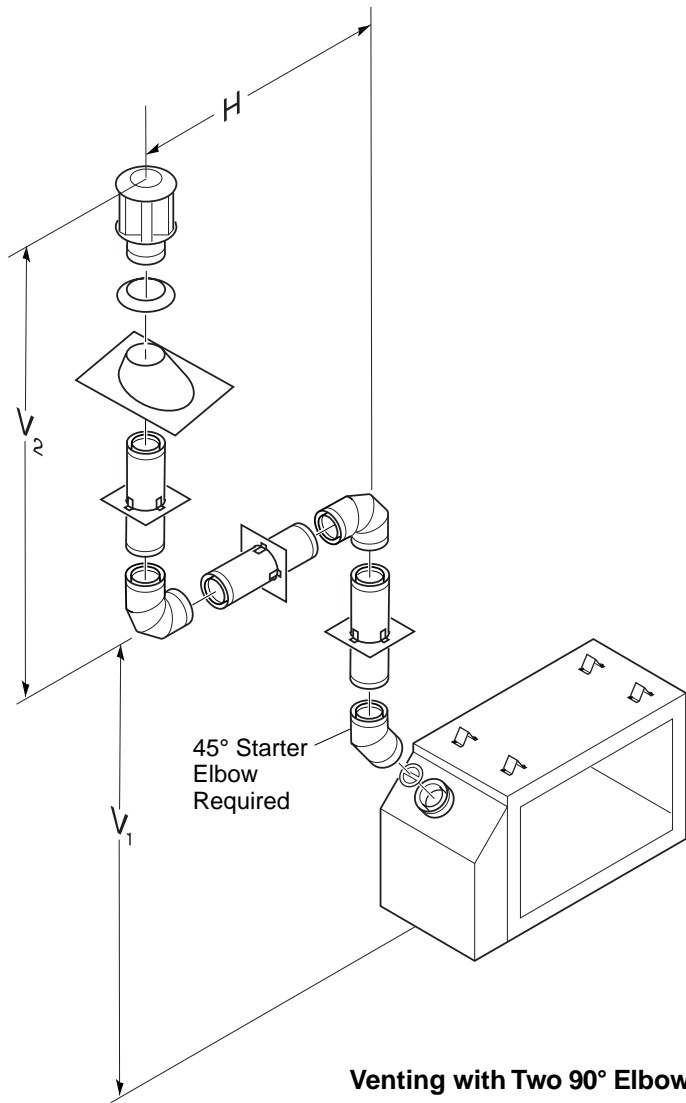
Figure 29 - Vertical Rigid Venting Configuration Using One 90° Elbow

Continued

VANGUARD DIRECT-VENT GAS FIREPLACE

EVDDVF36PN and EVDDVF36STN

VENTING INSTALLATION *Continued*

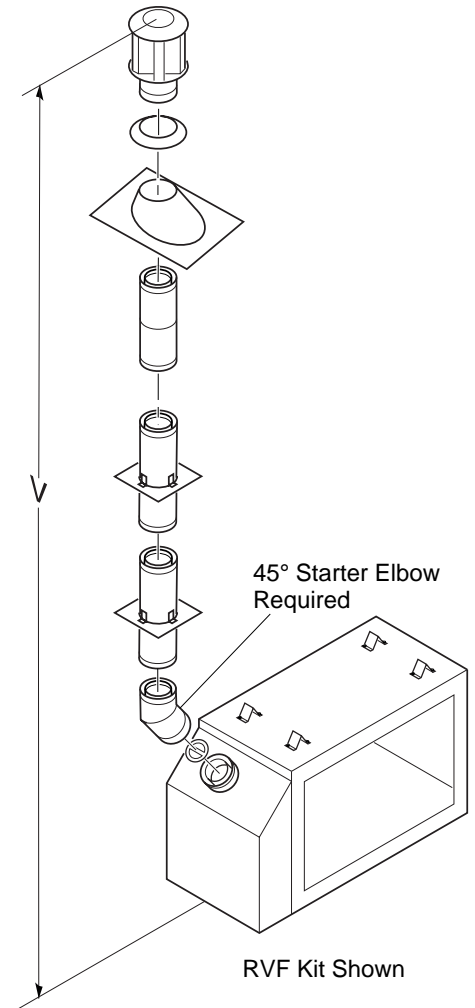


Venting with Two 90° Elbows

Vertical (V_1)	Horizontal (H)
5' min.	6' max.
6' min.	12' max.
7' min.	18' max.
8' min.	20' max.

Note: Vertical (V_1) +
Vertical (V_2) = 20' max.

Figure 30 - Vertical Rigid Venting Configuration Using Two 90° Elbows



Vertical Venting

$V = 40'$ max.

Figure 31 - Vertical Rigid Venting Configuration With No Horizontal Run

VENTING INSTALLATION *Continued*

HIGH ALTITUDE INSTALLATION

Your Vanguard direct-vent fireplace has been AGA tested and approved for elevations from 0-2000 feet and CGA certified for elevations from 0-4500 feet.

When installing this fireplace at an elevation above 2000 feet (in the USA), you may need to decrease the input rating by changing the existing burner orifice to a smaller size. Reduce input 4% for each 1000 feet above sea level. Check with your local gas company for proper orifice size identification.

When installing this fireplace at an elevation above 4500 feet (in Canada), check with local authorities.

Consult your local gas company to help determine the proper orifice for your location.

For assistance with any high altitude installation contact DESA International's Technical Service Department at 1-800-DESA-LOG (1-800-337-2564).

PARTS LISTS FOR VENTING KITS AND COMPONENTS

***NOTICE: The 7" x 30° Elbow supplied with kits CVK, BVK, SVK, and RVF cannot be used. It MUST be replaced with a 7" x 45° Starter Elbow (D2060).**

Vanguard Rigid Venting

Number	Description
--------	-------------

*CVK	Corner Vent Kit Includes: 7" x 30° Elbow, 7" x 90° Elbow, 7" Adjustable Galvanized Pipe (7-12"), 6" Pipe, Wall Thimble, Horizontal Termination, RTV Silicone and 20 Screws
*BVK	Basement Rigid Vent Kit Includes: 7" x 30° Elbow, 7" x 4" Galvanized Pipe, 7" x 90° Elbow, 7" Adjustable Galvanized Pipe (7-12"), Wall Thimble, Horizontal Termination, RTV Silicone and 20 Screws

Vanguard Rigid Venting (Cont.)

Number	Description
--------	-------------

*SVK	Snorkel Rigid Vent Kit Includes: 7" x 30° Elbow, 7" x 4' Galvanized Pipe, 7" x 90° Elbow, 7" Adjustable Galvanized Pipe (7-12"), Wall Thimble, 36" Snorkel Termination, RTV Silicone and 28 Screws
*RVF	Roof Rigid Vent Kit Includes: Flue Restrictor, Storm Collar, 7" x 30° Elbow, 7" x 4' Galvanized Pipe, 7" x 2' Galvanized Pipe, 7" Adjustable Galvanized Pipe (7-12"), Firestop Support, Roof Flashing, RTV Silicone, Vertical Termination, and 26 screws
D1000	7" x 12" Galvanized Coaxial Pipe (6 pcs.)
D1010	7" x 24" Galvanized Coaxial Pipe (6 pcs.)
D1020	7" x 48" Galvanized Coaxial Pipe (6 pcs.)
D1030	7" Adjustable (7-12") Galvanized Coaxial Pipe (6 pcs.)
D1050	7" x 6" Galvanized Coaxial Pipe (6 pcs.)
D2000	7" x 90° Elbow (6 pcs.)
D2010	7" x 45° Elbow (6 pcs.)
D2060	7" x 45° Starter Elbow
D3000	Wall Strap/Offset Support (6 pcs.)
D3010	Storm Collar (6 pcs.)
D3020	Wall Thimble (6 pcs.)
D3050	Vertical Restrictor (6 pcs.)
D3060	Ceiling Firestop/Support (6 pcs.)
D3070	Rectangular Horizontal Rigid Vent Termination Cap
D3071	Adjustable Horizontal Rigid Vent Termination Cap
D3090	Cathedral Ceiling Support Box
D4000	Roof Flashing 6/12-9/12
D4010	Roof Flashing 9/12-12/12
D4020	Flex Connector (6 pcs.)
D4030	Flex Wall Thimble (6 pcs.)
D4040	4" Hose Clamp (6 pcs.)
D4050	7" Hose Clamp (6 pcs.)
D5000	Vinyl Siding Standoff (6 pcs.)

Vanguard Flexible Venting

Number	Description
--------	-------------

FGFVK	Flex Ground Floor Vent Kit Includes: Flex Adapter, 7" x 4" Flexible Pipe, 4" x 4" Flexible Pipe, Wall Thimble, Horizontal Termination, (4) Spacer Springs, (2) 4" Hose Clamps, (2) 7" Hose Clamps, RTV Silicone, and 10 Screws
D1040	7" x 25' Coaxial Flex Pipe with Spacer Springs
D3080	Rectangular Horizontal Flex Termination Cap

SIMPSON DURA-VENT GS 4" x 6 5/8"

Number	Description
902	7" x 48" Pipe
903	7" x 36" Pipe
904	7" x 24" Pipe
906	7" x 12" Pipe
907	7" x 9" Pipe
908	7" x 6" Pipe
911	7" Adjustable (11"-14 5/8") Pipe
940	Wall Thimble
941	Cathedral Ceiling Support Box
943	Roof Flashing 0/12-6/12
943S	Roof Flashing 7/12-12/12
945	7" x 45° Elbow
950	Vinyl Siding Standoff
953	Storm Collar
963	Ceiling Firestop
981	36" Snorkel Termination
984	Horizontal Termination Vent Cap
988	Wall Strap
990	7" x 90° Elbow
991	Vertical High Wind Termination

VANGUARD DIRECT-VENT GAS FIREPLACE

EVDDVF36PN and EVDDVF36STN

INSTALLATION

INSTALLING OPTIONAL WALL MOUNT SWITCH GWMS2

NOTICE: The GWMS2 includes 25' of wire for installation. Your fireplace includes 15' of wire for accessory installation. Choose the length that best fits your needs when installing this accessory.

The installation of a wall switch allows you to activate the gas control valve and turn the fireplace on and off. The wall switch is to be connected to the incoming 120 volt regular household wiring that supplies electricity to the fireplace. Refer to wiring diagram on page 22.

WARNING: Disconnect all electrical power to the fireplace. Be careful of burrs and sharp edges.

OPTIONAL BLOWER ASSEMBLY INSTALLATION

Before blower assembly can be operated, it must be properly connected to a standard 120 VAC power source. Refer to *Wiring Diagram* on page 22.

- To remove lower louver, pull both top spring latches toward the center of the appliance at the same time until they are disengaged from the locating holes. Repeat for bottom spring latches and pull louver outward.
- Place blower assembly so it rests flush against the inside wall on the flue exit side of the firebox (see Figure 32). There are four magnets on the bottom of the blower assembly that will keep the blower in place on firebox bottom. **Note:** If the blower kit is not installed flush against the inside side wall of the fireplace, the circulating air from the blower system will not flow properly.

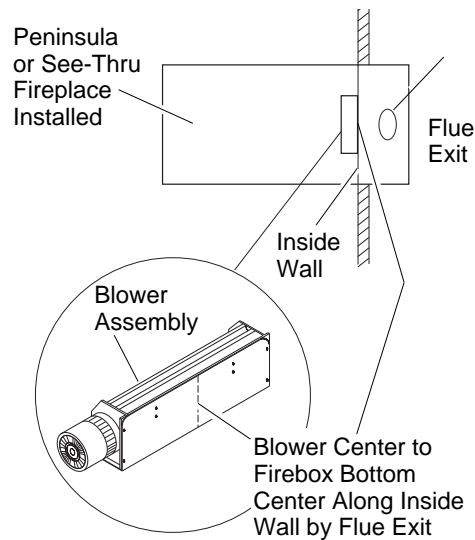


Figure 32 - Blower Assembly Placement

BLOWER SPEED CONTROL INSTALLATION

- Place speed control switch assembly on the bottom of the inside of the firebox (see Figure 33). The assembly is equipped with magnets on the left and right to properly anchor it to the firebox.
- Plug blower with speed control assembly into a power source. Keep hands clear of fan when running. **Note:** An outlet box with two receptacles has been supplied for your convenience, located on the lower left side of the appliance (see Figure 34). An optional remote control may be installed at any time.

CAUTION: Due to high temperatures, make sure no wires are touching the bottom of the firebox.

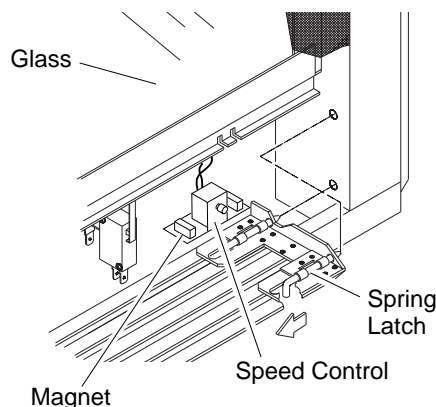


Figure 33 - Blower Speed Control Location

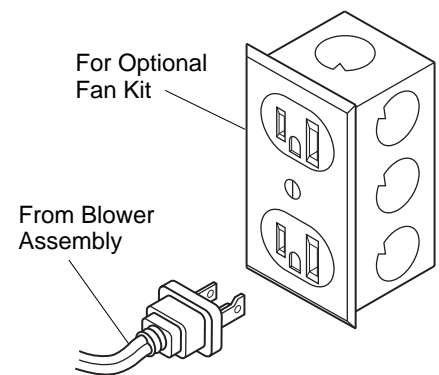


Figure 34 - Connecting Blower Accessory to Power Supply

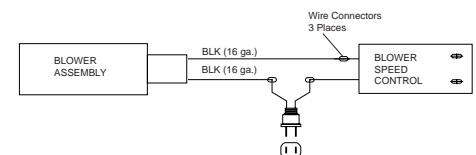


Figure 35 - Wiring Diagram for Blower Assembly

BLOWER SPEED CONTROL OPERATION

- To operate blower, turn the blower speed control knob clockwise to the "on" position (see Figure 36). This will be the highest blower speed. Continue turning knob clockwise to reduce blower speed. Turn knob only within the specified range (1/4 revolution, see Figure 36).
- To turn blower off, turn blower speed control knob counter-clockwise until it clicks into the "off" position. You must turn until knob clicks for the unit to be completely off.

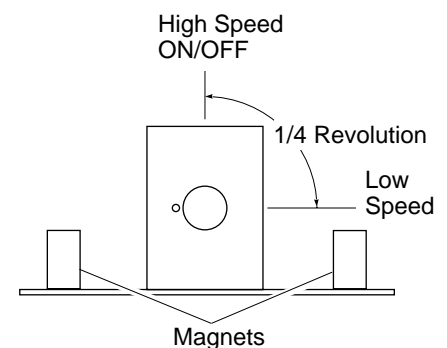


Figure 36 - Blower Speed Control

INSTALLATION

Continued

OPTIONAL REMOTE CONTROL INSTALLATION (Model WRC)

Note: If using optional wireless hand-held remote control, the wall switch must be in the ON position to be operational. The remote control then becomes the switching mechanism for fireplace operation.

1. The WRC model receiver does not require a battery. The receiver can be installed by first plugging the short extension cord into the fireplace junction box. Then plug the receiver unit into the extension cord. Finally plug the ignition module plug into the receiver unit (see Figure 37).
2. Activate the remote handset battery by removing the insulating tab on the back of the handset (see Figure 38). The battery is included pre-installed.
3. Once the battery is activated the unit is ready to use.

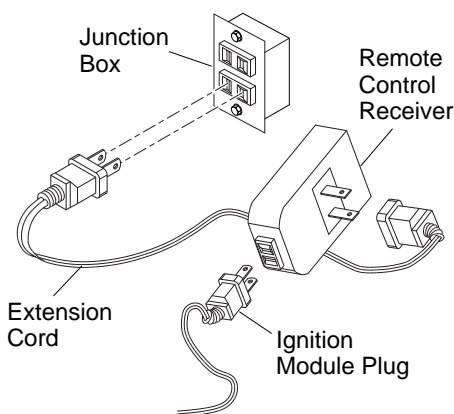


Figure 37 - Installing the WRC Remote Receiver

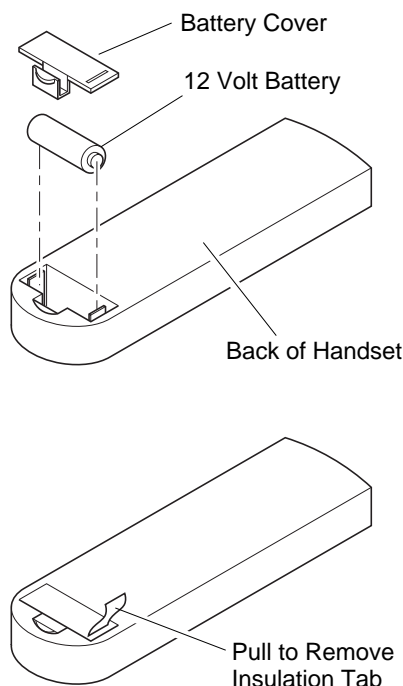


Figure 38 - Installing Battery into Back of Handset

GAS LINE HOOK-UP

WARNING: Before you proceed, make sure your gas supply is OFF.

WARNING: Gas line hookup should be done by your gas supplier or a qualified service person.

A equipment shutoff valve has been included in the appliance's gas supply system. You may consider installing an extra gas shutoff valve outside the appliance's enclosure (check with local codes) where it can be accessed more conveniently with a key through a wall as shown in Figure 39.

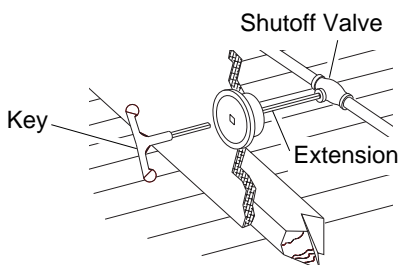


Figure 39 - Typical Exterior Wall Gas Shutoff Installation

Route a 1/2" NPT black iron gas line towards the appliance coming in from the left. It is recommended to route the pipe between the stand of the firebox and the surround of the fireplace (see Figure 40).

IMPORTANT: The appliance and its individual shutoff valve must be disconnected from the gas supply piping system during any pressure testing of that system at test pressures in excess of 1/2 psig. (3.5 kPa). The appliance must be isolated from the gas supply piping system by closing its individual equipment shutoff valve during any pressure testing of the gas supply piping system at test pressures equal to or less than 1/2 psig. (3.5 kPa).

CAUTION: Do not kink flexible gas line.

CAUTION: Compounds used on threaded joints of gas piping shall be resistant to the action of Liquefied Petroleum (LP or propane), and should be applied lightly to ensure excess sealant does not enter the gas line.

1. Install a sediment trap between the incoming gas line and the gas control valve (see Figure 40). The sediment trap should extend down the center of the pipe. Refer to your local codes.
2. Prepare incoming gas line and check with local codes regarding the use of teflon tape. Complete your gas line installation by connecting incoming gas line with flexible gas line. Secure tightly with a wrench, but **Do NOT Overtighten.**

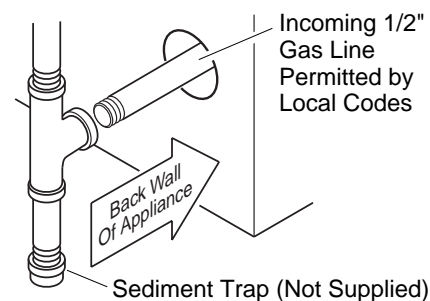


Figure 40 - Sediment Trap

VANGUARD DIRECT-VENT GAS FIREPLACE

EVDDVF36PN and EVDDVF36STN

INSTALLATION

Continued

⚠ WARNING: All gas piping and connections must be tested for leaks after the installation is completed.

After ensuring that the gas valve is open, apply a soap and water solution to all connections and joints. If bubbles appear, leaks can be detected and corrected.

Do not use an open flame for leak testing and do not operate any appliance if a leak is detected.

⚠ WARNING: Improper installation, adjustment, alteration, service, or maintenance can cause injury or property damage. Refer to this manual. For assistance or additional information, consult a qualified installer, service agency, or gas supplier.

GAS RATING

TYPE OF GAS	NATURAL
Max. Input Rating:	30,000 Btu/hr
Orifice Size (0-4,500 Ft.):	7/64"
Manifold Pressure:	3.5 in. WC
**Minimum Supply Pressure:	4.5 in. WC
**Maximum Supply Pressure:	10.5 in. WC

** For the purpose of input adjustment.

GAS SUPPLY TESTING

Note: This section is intended as a guide for qualified service technicians installing gas to the appliance.

⚠ CAUTION: Do not connect appliance before pressure testing gas piping. Damage to the gas valve may result and an unsafe condition may be caused.

The gas control valve is secured underneath the firebox with two brackets fastened to the firebox bottom. Two pressure taps are provided on the gas control valve for a pressure gauge connection (see Figure 41).

INSTALLING LOG SET

Before proceeding, make sure the gas control valve is in the "OFF" position. Logs have been packaged separately to prevent damage to glass or refractory.

1. Remove top and bottom louvers by simultaneously pulling both top end spring latches towards the center of the appliance until they are disengaged from locating holes. Repeat for bottom end spring latches and pull outward. Reverse procedure to install louvers back.
2. Remove the screen rod by sliding spring clip on one end toward the center. Slide rod into screen rod hole until other end of rod is free. Remove rod.
3. To open the glass door, open the pairs of latches located on the top and bottom of the firebox (see Figure 42). *Note:* Use caution when opening these latches.
4. Carefully open the door. The glass door is mounted to the firebox with 5 screws.
5. To remove the logs from the shrink wrap, carefully cut the plastic around the perimeter of the log. Do not try to remove the logs from the package without first cutting the plastic.
6. Figure 43, page 19 shows the log set. Logs "A" have the knot at the end of the log. Logs "B" have the knot at the middle of the log. Twigs "C" have the shape of a "Y". Twigs "D" have the shape of bent twigs. Twig "E" is a straight twig which is placed across the top of Logs "B".
7. Figure 44, page 19, shows the top view of the burner and grate.
8. Place logs "A" as shown in Figure 45, page 19.
9. Place logs "B" as shown in Figure 46, page 19. Lift the end of log "A" that will be propped up and place log "B" under it. At the same time, the other side of log "B" is placed over the other log "A". Repeat procedure for the other log "B".
10. Take twigs "C" (shaped like a "Y") and place them as shown in Figure 47, page 19.
11. Take twigs "D" (bent twig) and place them as shown in Figure 47, page 19.
12. Place twig "E" across the top of logs "B" as shown in Figure 47, page 19.
13. When finished installing the logs, close the glass doors while making certain that the safety door switch is fully depressed by the door frame before securing the four (4) spring loaded latches.
14. Replace the louvers in reverse order with the grilles pointing in the down position.

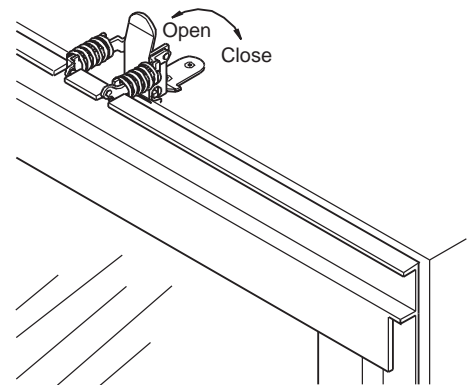
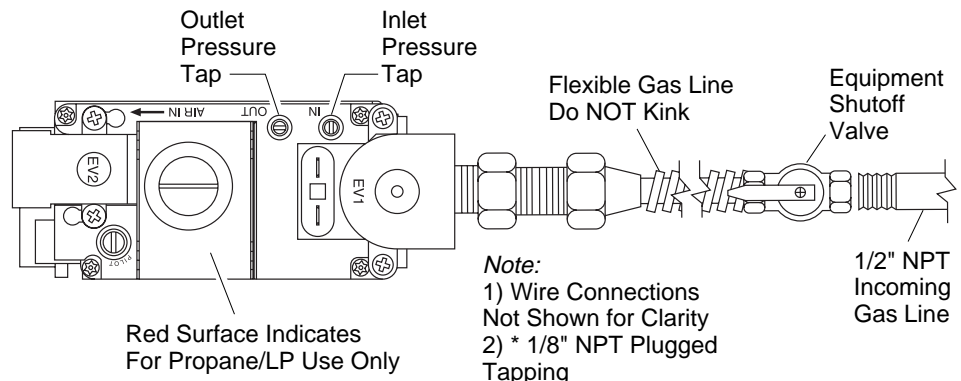


Figure 42 - Removing Glass Door



Note:
 1) Wire Connections Not Shown for Clarity
 2) * 1/8" NPT Plugged Tapping

Figure 41 - Connecting Flexible Gas Line to Electronic Valve

INSTALLATION

Continued

⚠ WARNING: Improper installation, adjustment, alteration, service, or maintenance can cause injury or property damage. Refer to this manual. For assistance or additional information, consult a qualified installer, service agency, or gas supplier.

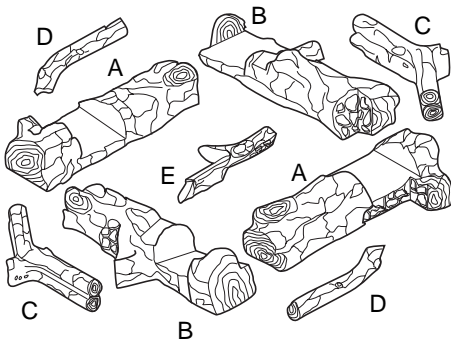


Figure 43 - Log Set (9 Pieces)

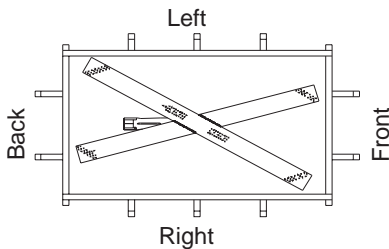


Figure 44 - Burner and Grate (Top View)

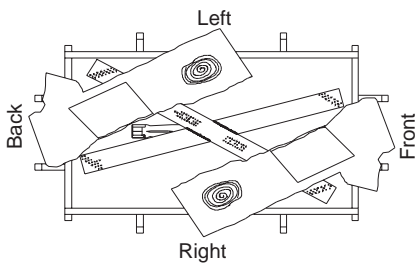


Figure 45 - Installing Logs "A" (Top View)

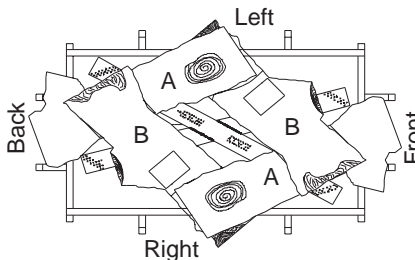


Figure 46 - Installing Logs "B" (Top View)

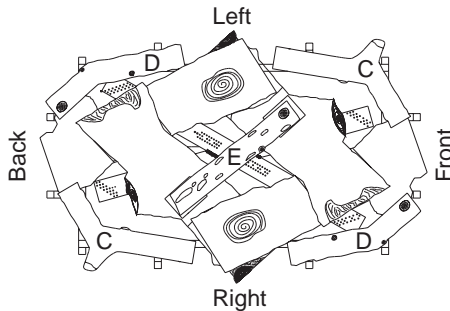


Figure 47 - Installing Twigs "C, D, E" (Top View)

DECORATIVE FACING

Any noncombustible material may be used for facing (glass, tile, brick, etc.) as long as the proper clearances are observed (see *Clearances*, page 4). **IMPORTANT:** Louvered openings must not be obstructed, and upper and lower panels must remain removable for servicing. Use only heat-resistant, noncombustible mortar or adhesive when securing facing material.

Note: Combustible material, such as wood, that has been fireproofed is not considered noncombustible.

ELECTRODE ASSEMBLY ADJUSTMENT

The electrode assembly is factory preset for proper operation. Alteration to these settings may have occurred during shipping and handling. If this is the case, some minor adjustments may be necessary and should be done by a qualified technician. To access the electrode, the glass door must be opened. The proper settings for the electrode height should be at a distance of 5/8" from the top of the burner as shown in Figure 48.

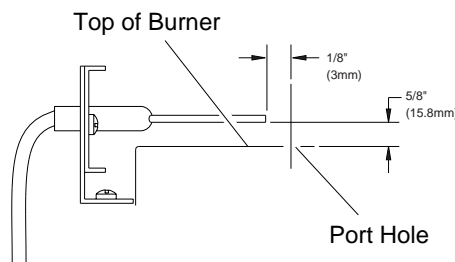


Figure 48 - Burner and Electrode (Side View)

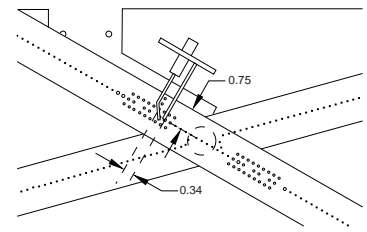


Figure 49 - Burner and Electrode (Top View)

BURNER FLAME ADJUSTMENT

The air shutter, located at the underside of the main burner (see Figure 50), has been factory preset to the proper air-to-gas ratio which results in an even, clean burning flame across the burner (see Figure 51). If readjustment is necessary, you can restore the proper air-to-gas ratio by loosening the air shutter screw and rotating the air shutter until the proper flame setting is achieved (the shutter's normal setting is "full opened"). Do not forget to retighten the air shutter screws.

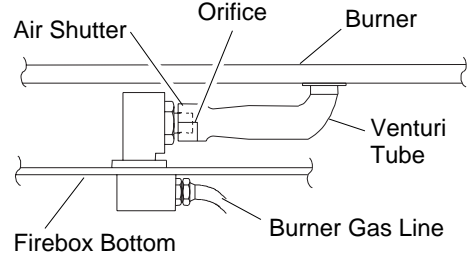


Figure 50 - Connecting Venturi and Orifice

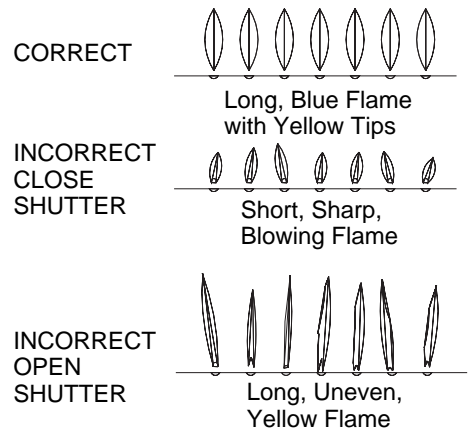


Figure 51 - Burner Flame Patterns

VANGUARD® DIRECT-VENT GAS FIREPLACE

EVDDVF36PN and EVDDVF36STN

BURNER FLAME ADJUSTMENT

Continued

BURNER REMOVAL

⚠ CAUTION: Before proceeding, make sure the entire unit is cool.

1. Remove the top and bottom louvers and screen. Open the glass door (left or right side).
2. Carefully remove the log set.
3. Remove the screw that attaches the burner to the bracket.
4. Slide the burner towards the front of the unit, lift, and remove from the firebox.
5. To reinstall the burner, slide the burner towards the rear of the unit and secure burner to bracket with screw.

⚠ CAUTION: Make certain the orifice is inside the venturi tube's air shutter, see Figure 50, page 19.

6. Replace the log set, close door with latches, and attach screen and louvers.

OPERATING GUIDELINES AND MAINTENANCE INSTRUCTIONS

When lit for the first time, the appliance may emit a slight odor for about 16-24 hours. This is normal and is due to the "curing" of the logs and the "burn-in" of internal paints and lubricants used in the manufacturing process. Keep compartments, logs, burners, and area surrounding the logs clean by vacuuming or brushing at least twice a year. Temporary removal of the log set may ease the cleaning of the burner and electrode assembly. In cleaning, take care not to alter the electrode or burner location. Be sure appliance is cool before each maintenance session.

⚠ CAUTION: The appliance and logs can get very hot - Handle only when cool.

⚠ WARNING: Turn off gas and wall switch before servicing appliance. Any safety screen or guard removed for servicing the appliance must be replaced prior to operating the appliance.

Any household glass cleaner may be used to clean the glass panel. Do not use abrasive cleaners as this may damage the glass. Clean glass only when cool.

⚠ WARNING: Do not operate appliance with panel(s) and glass removed, cracked, or broken. Replacement of the panel(s) should be done by a licensed, qualified service person.

⚠ WARNING: Make certain wires and gas lines are not touching the underside of the firebox.

⚠ CAUTION: If the glass breaks, be cautious of fragments on the floor. Keep children away from the area. Do not operate the unit. Use proper safety gloves to remove the broken glass door. Discard safely. A glass door kit can be ordered through your local distributor. Do not substitute other material for the glass.

⚠ WARNING: Children and adults should be alerted to the hazards of high surface temperatures, and to stay away from the appliance to avoid burns or clothing ignition. Young children should be carefully supervised when they are in the same room as the appliance.

⚠ WARNING: Have a qualified agency periodically inspect the vent system at the start of each heating season, for any obstruction which may hinder its normal operation. Never obstruct the flow of combustion and ventilation air. Keep the front of the appliance clear of all obstacles and materials.

⚠ WARNING: Do not abuse, strike, or slam the glass doors.

⚠ CAUTION: Label all wires prior to disconnection when servicing controls. Wiring errors can cause improper and dangerous operation.

For further operating guidelines, contact your authorized dealer.

OPERATING FIREPLACE

FOR YOUR SAFETY READ BEFORE LIGHTING

⚠ WARNING: If you do not follow these instructions exactly, a fire or explosion may result causing property damage, personal injury or loss of life.

- A. This appliance is equipped with an ignition device which automatically lights the main burner. These models do not have a pilot assembly.
- B. **BEFORE LIGHTING** smell all around the appliance area for gas. Be sure to smell next to the floor because some gas is heavier than air and will settle on the floor.

WHAT TO DO IF YOU SMELL GAS

- Do not try to light any appliance.
 - Do not touch any electric switch; do not use any phone in your building.
 - Immediately call your gas supplier from a neighbor's phone. Follow the gas supplier's instructions.
- C. Use only your hand to push in or turn the gas control knob. Never use tools. If the knob will not push in or turn by hand, don't try to repair it, call a qualified service technician. Force or attempted repair may result in a fire or explosion.
 - D. Do not use this appliance if any part has been under water. Immediately call a qualified service technician to inspect the appliance and to replace any part of the control system and any gas control which has been under water.

LIGHTING INSTRUCTIONS

1. **STOP!** Read the safety information in column one.
2. Open lower louver panel.
3. Turn wall switch to "OFF".
4. Turn off all electric power to the fireplace.
5. Turn the equipment shutoff valve clockwise ↻ to the OFF position (see Figure 52). Do not force.
6. Wait five (5) minutes to clear out any gas. Then smell for gas, including near the floor. If you smell gas, **STOP!** Follow "B" in the safety information in column one. If you don't smell gas, go to the next step.
7. Turn equipment shutoff valve counter-clockwise ↺ to the ON position.
8. Turn on all electrical power to the appliance.
9. Turn the wall switch to the ON position.
10. Visually locate the electrode assembly. The electrode is located by the main burner. The ignitor should begin to spark and the main burner should ignite.
 - If lighting the appliance for the first time each season, it may take several attempts before the supply gas can reach the main burner.
 - If the appliance will not stay lit after several attempts, follow the instructions *To Turn Off Gas To Appliance*, column 3, and call your service technician or gas supplier.
11. Close lower louver panel.

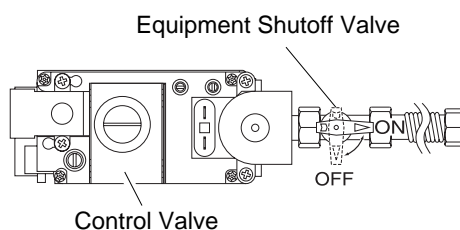


Figure 52 - Turning the Equipment Shutoff Valve to the OFF position

TO TURN OFF GAS TO APPLIANCE

1. Turn off the wall switch.
2. Turn off all electric power to the appliance if service is to be performed.
3. Open control access panel.
4. Turn equipment shutoff valve clockwise ↻ to "OFF". Do not force.
5. Close control access panel.

OPTIONAL REMOTE OPERATION

Note: The WRC receiver and hand-held remote control kit must be purchased separately (see *Accessories*, page 26). Follow installation instructions on page 17.

1. Turn equipment shutoff valve to ON position. You can now turn the burner on and off with the hand-held remote control unit.

IMPORTANT: Be sure to press the ON/OFF buttons on the hand-held remote control unit for up to 3 seconds to assure proper operation.
2. Press the ON/OFF button to turn the burner on and off.

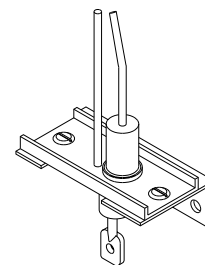


Figure 53 - Electrode

VANGUARD DIRECT-VENT GAS FIREPLACE

EVDDVF36PN and EVDDVF36STN

SERVICE HINTS

When Gas Pressure Is Too Low

- burner will have delayed ignition
- fireplace will not produce specified heat
- propane/LP gas supply may be low

When Gas Quality Is Bad

- burner will produce flames and soot
- fireplace will backfire when lit

You may feel your gas pressure is too low or gas quality is bad. If so, contact your local propane/LP gas supplier.

TECHNICAL SERVICE

You may have further questions about installation, operation, or troubleshooting. If so, contact DESA International's Technical Service Department at 1-800-323-5190.

You can also visit DESA International's technical services web site at www.desatech.com.

REPLACEMENT PARTS

Note: Use only original replacement parts. This will protect your warranty coverage for parts replaced under warranty.

PARTS UNDER WARRANTY

Contact authorized dealers of this product. If they can't supply original replacement part(s) call DESA International's Technical Service Department at 1-800-323-5190 for referral information.

When calling DESA International, have ready

- your name
- your address
- model and serial numbers of your fireplace
- how fireplace was malfunctioning
- type of gas used (propane/LP or natural gas)
- purchase date

Usually, we will ask you to return the defective part to the factory.

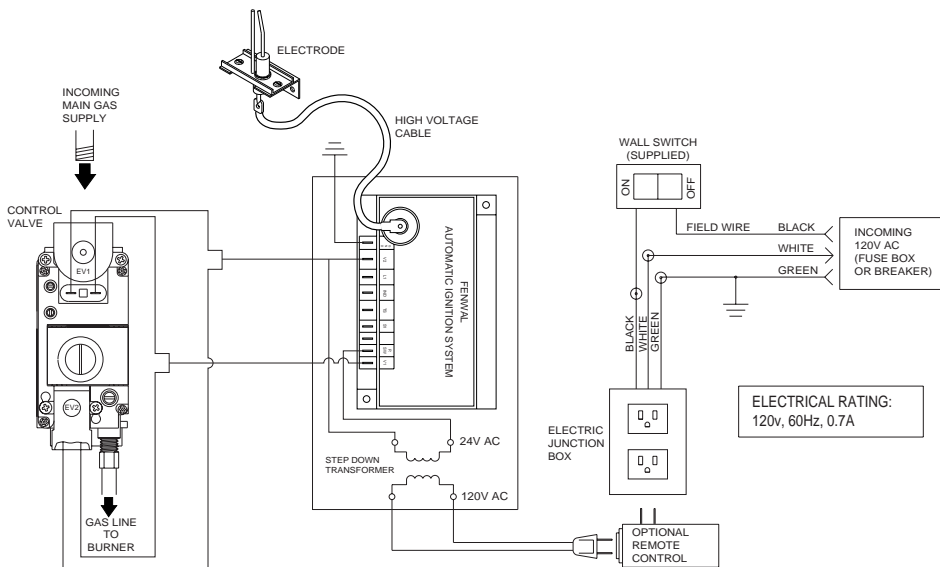
PARTS NOT UNDER WARRANTY

Contact authorized dealers of this product. If they can't supply original replacement part(s) call DESA International's Parts Department at 1-800-972-7879 for referral information.

When calling DESA International, have ready

- model number of your fireplace
- the replacement part number

WIRING DIAGRAM



OWNER'S MANUAL

TROUBLESHOOTING

Note: For additional help, visit DESA International's technical service web site at www.desatech.com.

⚠ WARNING: Turn off fireplace and let cool before servicing. Only a qualified service person should service and repair fireplace.

Note: Before troubleshooting the system, make sure the gas shutoff valve is ON.

Note: All troubleshooting items are listed in order of operation.

OBSERVED PROBLEM	POSSIBLE CAUSE	REMEDY
Can not light main burner	<ol style="list-style-type: none">1. No gas supply, or shutoff valve is OFF2. Air in gas line 3. Low gas pressure4. Bad valve 5. Bad electrode wire or loose connection6. No power to unit or the ignition module or power transformer is bad	<ol style="list-style-type: none">1. Check to see if you have gas supply2. Repeat lighting procedure several times to purge all air out of lines. If after repeated attempts appliance does not light call for qualified service and repair3. Contact your gas supplier4. Replace control valve (see <i>Replacement Parts</i>, page 27)5. Tighten wires or replace electrode6. Check that the main power is on and that all wire connections are made correctly to the ignition module (see <i>Wiring Diagram</i>, page 22). Check for 24 VAC at the secondary side of the transformer. If 24 VAC is present and the module does not operate, have the module replaced otherwise have the transformer replaced.
No gas to burner, although wall switch and valve are set to the ON position	<ol style="list-style-type: none">1. Wall switch wires defective	<ol style="list-style-type: none">1. Check electrical connections
Frequent flame outage	<ol style="list-style-type: none">1. The electrode may be in the wrong position causing electrode not to sense burner flame	<ol style="list-style-type: none">1. Clean and adjust electrode to burner flame for maximum sensitivity on the electrode See page 19 for electrode assembly adjustments.
Burner goes off after a short time	<ol style="list-style-type: none">1. Venting recirculation problem	<ol style="list-style-type: none">1. Have a qualified technician check venting system for leaks or obstructions.

VANGUARD® DIRECT-VENT GAS FIREPLACE

EVDDVF36PN and EVDDVF36STN

TROUBLESHOOTING

Continued

OBSERVED PROBLEM	POSSIBLE CAUSE	REMEDY
Delayed ignition burner	<ol style="list-style-type: none">1. Manifold pressure is too low2. Burner porting or orifice clogged	<ol style="list-style-type: none">1. Contact local propane/LP or natural gas company2. Clean burner or replace burner orifice
Burner backfiring during combustion	<ol style="list-style-type: none">1. Burner orifice is clogged or damaged2. Damaged burner3. Gas regulator defective	<ol style="list-style-type: none">1. Clean burner or replace burner orifice2. Replace damaged burner3. Replace gas control
Slight smoke or odor during initial operation	<ol style="list-style-type: none">1. Residues from manufacturing processes and logs curing	<ol style="list-style-type: none">1. Problem will stop after a few hours of operation
Fireplace produces a whistling noise when burner is lit	<ol style="list-style-type: none">1. Air in gas line2. Dirty or partially clogged burner orifice	<ol style="list-style-type: none">1. Operate burner until air is removed from line. Have gas line checked by local propane/LP gas company2. Clean burner or replace burner orifice
Glass soots	<ol style="list-style-type: none">1. Flame impingement on logs2. Debris around burner air mixer	<ol style="list-style-type: none">1. Adjust the log set so that the flame does not excessively impinge on it2. Inspect the opening at the base of the burner to see that it is NOT packed with any type of material
Fireplace produces a clicking/ticking noise just after burners are lit or shut off	<ol style="list-style-type: none">1. Metal expanding while heating or contracting while cooling	<ol style="list-style-type: none">1. This is common. If noise is excessive, contact qualified service person

TROUBLESHOOTING

Continued

- ⚠ WARNING: If you smell gas**
- Shut off gas supply.
 - Do not try to light any appliance.
 - Do not touch any electrical switch; do not use any phone in your building.
 - Immediately call your gas supplier from a neighbor's phone. Follow the gas supplier's instructions.
 - If you cannot reach your gas supplier, call the fire department.

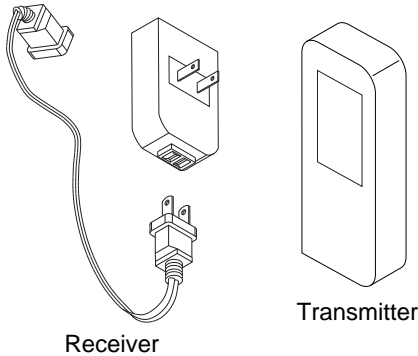
IMPORTANT: Operating fireplace where impurities in air exist may create odors. Cleaning supplies, paint, paint remover, cigarette smoke, cements and glues, new carpet or textiles, etc., create fumes. These fumes may mix with combustion air and create odors.

OBSERVED PROBLEM	POSSIBLE CAUSE	REMEDY
Fireplace produces unwanted odors	1. Gas leak. See Warning statement above	1. Locate and correct all leaks
Fireplace shuts off in use	1. High or gusting winds 2. Low line pressure 3. Inner vent pipe leaking exhaust gasses into system 4. Horizontal vent improperly pitched 5. Glass too loose and air tight gasket leaks in corners after usage 6. Improper vent cap installation	1. Fireplace has been tested for up to 40mph winds. However, extreme conditions may occur 2. Contact local propane/LP or natural gas company 3. Locate and correct all leaks 4. Horizontal vent termination should slope down only enough to prevent any water from entering the unit. The maximum downward slope of the vent termination is 1/4" for any horizontal run 5. Tighten glass 6. Check for proper installation and freedom from debris or blockage
Gas odor during combustion	1. Gas leak. See Warning statement above	1. Locate and correct all leaks
Dark residue on logs or inside of fireplace	1. Improper log placement 2. Air holes at burner inlet blocked 3. Burner flame holes blocked	1. Properly locate logs 2. Clean out air holes at burner inlets. Periodically repeat as needed 3. Remove blockage or replace burner

VANGUARD DIRECT-VENT GAS FIREPLACE

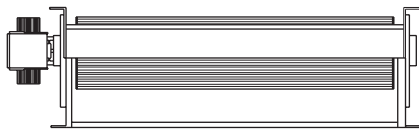
EVDDVF36PN and EVDDVF36STN

ACCESSORIES



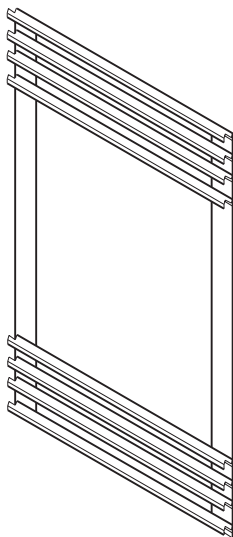
RECEIVER AND HAND-HELD REMOTE CONTROL KIT 00710 (WRC)

For all models. Allows the gas log heater to be turned on and off by using a hand-held remote control.

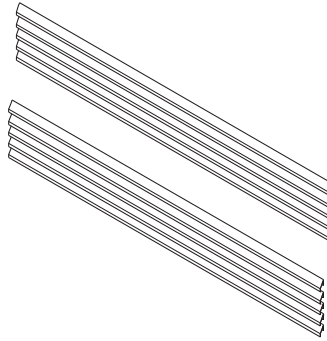


BLOWER KIT - DVFFBK

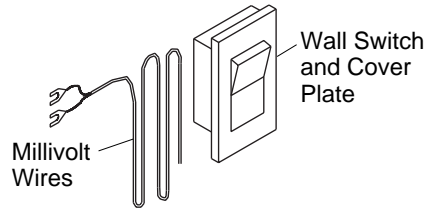
For all models. Increases air circulation to maximize heat distribution.



END LOUVER KIT (Peninsula Only) Brass - FLP36E



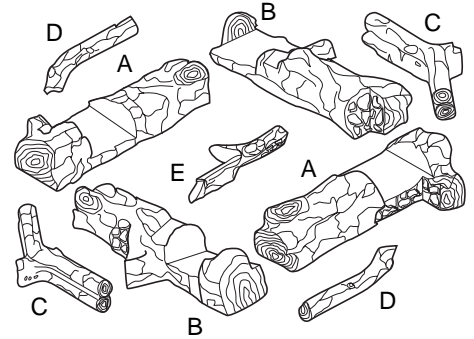
LOUVER KIT Brass - FLP36



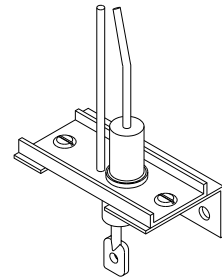
WALL SWITCH KIT 105742-01 (22180) Wall Switch - 105902-01 (14112) Cover Plate - 105903-01 (14113)

Wall switch, cover plate, and millivolt wires are supplied with the appliance. If wires need replacing, use proper gauge.

REPLACEMENT PARTS

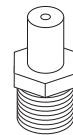


LOG SET - 105891-01 (27237) Log Piece A - 105896-01 (27238) Log Piece B - 105895-01 (27239) Log Piece C - 105893-01 (27242) Log Piece D - 105892-01 (27240) Log Piece E - 105894-01 (27241)

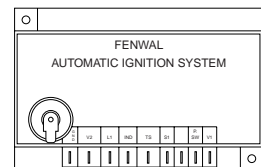


ELECTRODE ASSEMBLY Natural - 14385

If in need of replacing, have a qualified technician replace it.



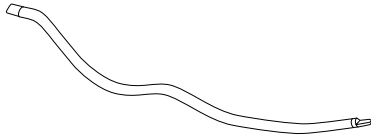
ORIFICE Natural - 105890-01 (27224)



IGNITION CONTROL Natural - 14384

REPLACEMENT PARTS

Continued



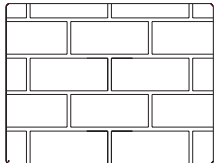
HIGH VOLTAGE CABLE
14386



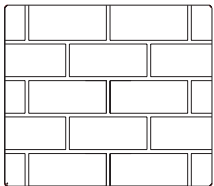
Front (Bottom)



Left/Right (Bottom)



Rear (Used for Peninsula and See-Thru)



Front (Used for See-Thru Only)

REFRACTORY PIECES

Front (Bottom)

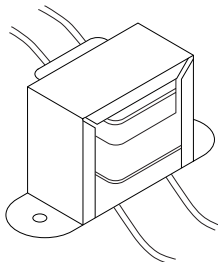
105886-01 (25854)

Left/Right (Bottom)

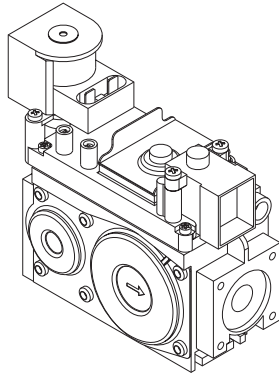
105887-01 (25856)

Rear - 106924-01 (27374)

Front - 105888-01 (25885)

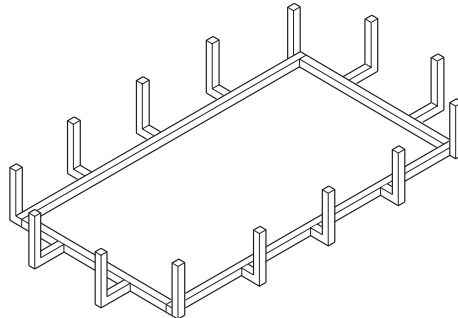


TRANSFORMER
14129 (107222-01)

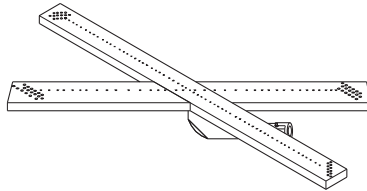


GAS CONTROL VALVE
Natural - 14569 (107219-01)

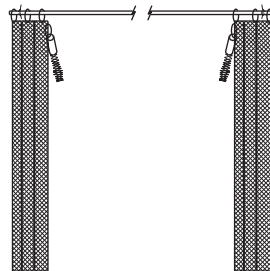
If in need of replacing, have a qualified technician replace it.



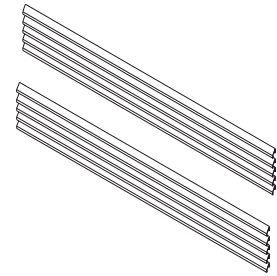
GRATE - 105889-01 (11184)



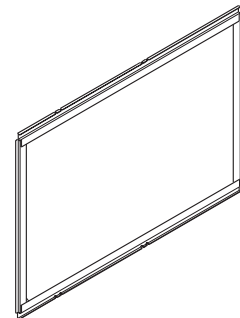
BURNER ASSEMBLY
105885-01 (27243)



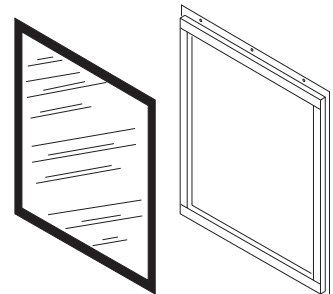
SCREEN ASSEMBLY
105898-01 (25903)



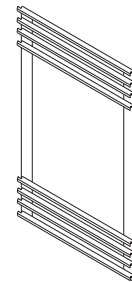
LOUVER KIT
Black - 105904-01 (01627)



DOOR ASSEMBLY (Tempered)
106923-01 (27200)



END GLASS ASSEMBLY
(Peninsula Only)
106922-01 (26624)
(Tempered)



END LOUVER KIT
(Peninsula Only)
Standard - 105900-01 (01645)

WARRANTY INFORMATION

KEEP THIS WARRANTY

Model _____
Serial No. _____
Date Purchased _____

Always specify model and serial numbers when communicating with the factory.

We reserve the right to amend these specifications at any time without notice. The only warranty applicable is our standard written warranty. We make no other warranty, expressed or implied.

LIMITED WARRANTY DIRECT-VENT FIREPLACE

DESA International warrants this product to be free from defects in materials and components for four (4) years from the date of first purchase, provided that the product has been properly installed, operated and maintained in accordance with all applicable instructions. To make a claim under this warranty the Bill of Sale or cancelled check must be presented.

This warranty is extended only to the original retail purchaser. This warranty covers the cost of part(s) required to restore this heater to proper operating condition and an allowance for labor when provided by a DESA Authorized Service Center. Warranty part(s) MUST be obtained through authorized dealers of this product and/or DESA International who will provide original factory replacement parts. Failure to use original factory replacement parts voids this warranty. The heater MUST be installed by a qualified installer in accordance with all local codes and instructions furnished with the unit.

This warranty does not apply to parts that are not in original condition because of normal wear and tear, or parts that fail or become damaged as a result of misuse, accidents, lack of proper maintenance or defects caused by improper installation. Travel, diagnostic cost, labor, transportation and any and all such other costs related to repairing a defective heater will be the responsibility of the owner.

TO THE FULL EXTENT ALLOWED BY THE LAW OF THE JURISDICTION THAT GOVERNS THE SALE OF THE PRODUCT; THIS EXPRESS WARRANTY EXCLUDES ANY AND ALL OTHER EXPRESSED WARRANTIES AND LIMITS THE DURATION OF ANY AND ALL IMPLIED WARRANTIES, INCLUDING WARRANTIES OF MERCHANTABILITY AND FITNESS FOR A PARTICULAR PURPOSE TO FOUR (4) YEARS ON ALL COMPONENTS FROM THE DATE OF FIRST PURCHASE; AND DESA INTERNATIONAL'S LIABILITY IS HEREBY LIMITED TO THE PURCHASE PRICE OF THE PRODUCT AND DESA INTERNATIONAL SHALL NOT BE LIABLE FOR ANY OTHER DAMAGES WHATSOEVER INCLUDING INDIRECT, INCIDENTAL OR CONSEQUENTIAL DAMAGES.

Some states do not allow a limitation on how long an implied warranty lasts or an exclusion or limitation of incidental or consequential damages, so the above limitation on implied warranties, or exclusion or limitation on damages may not apply to you.

This warranty gives you specific legal rights, and you may also have other rights that vary from state to state.

For information about this warranty write:

DESA
INTERNATIONAL
2701 Industrial Drive
P.O. Box 90004
Bowling Green, KY 42102-9004
www.desatech.com



106573 01

NOT A UPC

106573-01
Rev. A
06/00