



CORDLESS ELECTRIC KETTLE

Instructions for use



BOUILLOIRE TRADITIONNELLE EN MÉTAL SANS CORDON

Mode d'emploi



HERVIDOR TRADICIONAL DE METAL SIN FILTRO

Instrucciones para el uso

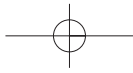
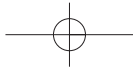


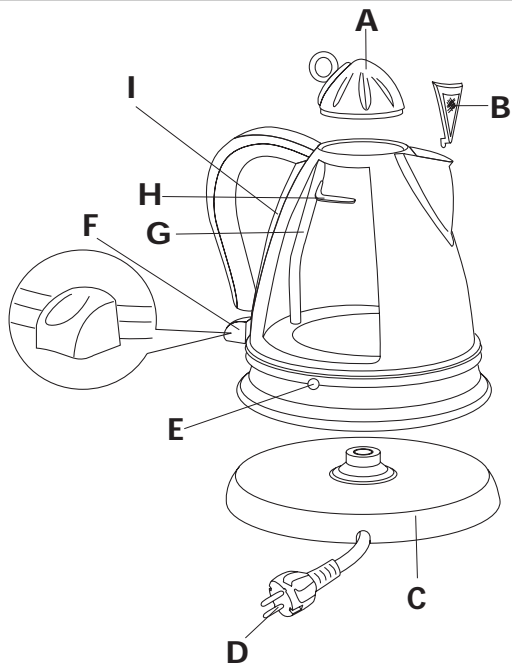
BOLLITORE TRADIZIONALE IN METALLO SENZA FILO

Istruzioni per l'uso



KBM 1511





- A** LID
- B** FILTER
- C** 360° BASE WITH CORD STORAGE
- D** PLUG
- E** INDICATOR LIGHT
- F** ON/OFF SWITCH
- G** STEAM TUBE
- H** MAX LEVEL INDICATOR
- I** WATER LEVEL INDICATOR



- A** COUVERCLE
- B** FILTRE
- C** SOCLE À 360° AVEC ENROULEUR DE CORDON
- D** FICHE
- E** TÉMOIN LUMINEUX
- F** INTERRUPTEUR MARCHÉ/ARRÊT ON/OFF
- G** PETIT TUYAU VAPEUR
- H** INDICATEUR NIVEAU MAXIMAL
- I** INDICATEUR NIVEAU D'EAU



- A** TAPPA
- B** FILTRO
- C** BASE A 360° CON RECOGECABLE
- D** ENCHUFE
- E** SEÑAL LUMINOSA
- F** PULSADOR DE ENCENDIDO ON/OFF
- G** TUBITO VAPOR
- H** INDICADOR DE NIVEL MÁX.
- I** INDICADOR DE NIVEL DE AGUA



- A** COPERCHIO
- B** FILTRO
- C** BASE A 360° CON AVVOLGICAVO
- D** SPINA
- E** SPIA LUMINOSA
- F** PULSANTE DI ACCENSIONE ON/OFF
- G** TUBICINO A VAPORE
- H** INDICATORE DI LIVELLO MAX.
- I** INDICATORE LIVELLO ACQUA



IMPORTANT SAFEGUARDS

When using electrical appliances, basic safety precautions should always be followed, including the following:

READ ALL INSTRUCTIONS.

- Do not touch hot surfaces. Use handles or dials.
 - To protect against fire, electric shock and injury to persons do not immerse cord, plug in water or other liquid.
 - Close supervision is necessary when any appliance is used by or near children.
 - Unplug from power outlet when not in use and before cleaning. Allow to cool before inserting or removing parts and before cleaning the appliance.
 - Do not operate any appliance with a damaged cord or plug or after the appliance malfunctions, or has been damaged in any manner. Return appliance to the nearest authorized service facility for examination, repair or adjustment.
 - The use of accessory attachments not recommended by the appliance manufacturer may cause injuries.
 - Do not use outdoors.
 - Do not let cord hang over edge of table or counter, or touch hot surfaces.
 - Do not place on or near a hot gas or electric burner, or in a heated oven.
 - Do not use the kettle for any purpose other than heating water. Do not place any utensils into the kettle.
 - To disconnect, turn the control knob to "OFF", then remove the plug from the wall power cord.
 - After unpacking the appliance, be sure to dispose carefully of the plastic bags so that children cannot reach them.
 - Ensure that your power cord voltage is the same as that marked on the underside of your kettle.
 - Take care when pouring - do not over-fill the kettle as water may enter into the switch mechanism.
 - Do not allow the power cord to hang over the edge of the table or work surface, or any place where it may be accidentally caught or tripped over.
 - Remove the kettle from its power base before filling.
 - Never move the kettle while it is in use.
 - Do not use the kettle if you have wet hands.
 - Position the kettle properly on the power base before switching on.
-
- **TO PREVENT SCALDING:**
 - Never use the kettle without its lid.
 - Do not remove the lid while the kettle is boiling.
 - Water can remain hot for a long time after boiling and can prevent a scalding hazard. Keep the kettle and the power cord away from the edge of the work surface and out of the reach of children, do not remove the lid until the kettle has cooled down.

- The power cord must not be replaced by the user, as this requires the use of special tools. If the power cable is damaged, contact a De'Longhi authorized Service Centre.
- If the kettle is overfilled, boiling water may overflow.

THIS PRODUCT IS FOR HOUSEHOLD USE ONLY

SAVE THESE INSTRUCTIONS

SHORT CORD INSTRUCTIONS

- A short power cord is provided to reduce risks resulting from becoming entangled in or tripping over a longer cord.
- Longer, detachable power supply cords or extension cords are available and may be used if care is exercised in their use.
- If an extension cord is used, the marked electrical rating should be at least as great as the electrical rating of the appliance. If the appliance is provided with 3- wire, grounding type cord, the extension should be a **GROUNDING TYPE 3 - WIRE CORD**. The longer cord should be arranged so that it will not drape over the counter-top or table top where it can be pulled on by children or tripped over.
- Your product is equipped with a polarized alternating current line plug (a plug having one blade wider than the other). This plug will fit into the power power cord only one way. This is a safety feature. If you are unable to insert the plug fully into the power cord, try reversing the plug. If the plug should still fail to fit, contact your electrician to replace your obsolete power cord. Do not defeat the safety purpose of the polarized plug.