

**E<sup>3</sup>Point<sup>®</sup>**

**Honeywell**



**Moniteur de gaz à distance  
Remote Gas Sensor**

**Manuel d'utilisation  
User Manual**



---

Gas detection device

E<sup>3</sup>Point Remote  
Gas Sensor  
User Manual






revision 2



---

# Symbol Definitions

The following table lists the symbols used in this document to denote certain conditions:

Symbol	Definition
	ATTENTION: Identifies information that requires special consideration.
	TIP: Identifies advice or hints for the user, often in terms of performing a task.
	REFERENCE _ INTERNAL: Identifies an additional source of information within the bookset.
<b>CAUTION</b>	Indicates a situation which, if not avoided, may result in equipment or work (data) on the system being damaged or lost, or may result in the inability to properly operate the process.
	CAUTION: Indicates a potentially hazardous situation which, if not avoided, may result in minor or moderate injury. It may also be used to alert against unsafe practices.  CAUTION: Symbol on the equipment refers the user to the product manual for additional information. The symbol appears next to required information in the manual.
	WARNING: Indicates a potentially hazardous situation which, if not avoided, can result in serious injury or death.  WARNING symbol on the equipment refers the user to the product manual for additional information. The symbol appears next to required information in the manual.



---

# Table of Contents

<b>Symbol Definitions</b> .....	<b>i</b>
<b>Introduction</b> .....	<b>1</b>
Description.....	1
Safety Information .....	1
<b>Installation</b> .....	<b>2</b>
Sensor Locations .....	2
Installation Height .....	3
Mounting .....	4
<b>Wiring Diagram</b> .....	<b>5</b>
Connecting Main Sensor to Remote .....	5
<b>Specifications</b> .....	<b>7</b>
Detection Ranges and Alarm Levels.....	7
Sensor Overload .....	7
Standard Parts List .....	8
Periodic Inspection and Maintenance .....	9
Maintenance .....	9
Sensor Life Span.....	9

## Table of Contents

---



---

# Introduction

## Description

The E<sup>3</sup>Point Remote Sensor is a toxic or combustible gas detection sensor that is compatible with the E<sup>3</sup>Point Standalone sensor or with the features offered in certain controller type products, such as the 301C. It provides continuous monitoring for one of the following gases in ambient air: CO, H<sub>2</sub>S, O<sub>2</sub>, NO<sub>2</sub>, and combustible hazards.

The E<sup>3</sup>Point is designed to be mounted on an extra wide (2 3/8") electrical box.

The E<sup>3</sup>Point Remote Sensor is intended for use exclusively with the E<sup>3</sup>Point Standalone unit. No other uses are supported by Honeywell Analytics.

## Safety Information

Users of the E<sup>3</sup>Point Remote Sensor require a full understanding of the installation, operating, and maintenance instructions, otherwise protection provided by the monitor may be impaired. Read the following warnings before using the monitor.

---

### WARNING:

- Install according to local electrical regulations and codes.
- Installation should be performed by qualified personnel.
- Do not paint over the sensor screen.
- Ensure the sensor screen is free of dirt and debris.
- Ensure the sensor screen is not covered.
- Do not expose the monitor to electrical shock and/or continuous mechanical shock.
- Do not expose the sensor to high pressure water spray.
- Do not use the monitor if it is damaged. Before use inspect the monitor. Look for cracks, missing metals, or plastics. If the monitor is damaged, contact Honeywell Analytics immediately.
- The warranty will be voided if the customer or any unauthorized service personnel attempts to repair the unit.



# Installation

## Sensor Locations

The following suggestions should be considered to assure detection of the target gas. Select the most suitable location for each sensor.

**Air Currents:** If there are fans, wind, or other sources of air movement, gases may tend to rise or collect in certain areas of a facility. The local air currents should be assessed to aid in selecting the sensor location. Air convection can often be more important in determining gas concentration areas than factors of Vapor Density.

**Gas Emission Sources:** As a rule, at least one sensor should be located in close proximity to each point where an emission is likely to occur.



**CAUTION:** Because each sensor can only “report” what it is detecting at the moment, it is very important that the sensor be located where leaks are most likely to occur.

---

## Installation Height

Detected Gas		Relative Density	Installation Height
		(air = 1)	
CO	Carbon monoxide	0.968	1–1.5 m (3–5 ft.) from floor
H <sub>2</sub> S	Hydrogen sulfide	1.19	30 cm (1 ft.) from floor
*NO <sub>2</sub>	Nitrogen dioxide	1.58 (cold)	30 cm–1 m (1–3 ft.) from ceiling
O <sub>2</sub>	Oxygen	1.43	1–1.5 m (3–5 ft.) from floor
COMB	Most combustibles are heavier than air, with the exception of methane, hydrogen, ethylene and acetylene. Sensors for gases that are heavier than air should be installed approximately 30 cm (1 ft) from the floor. For combustibles that are lighter than air, sensors should be installed 30 cm (1 ft) from the ceiling, close to the potential leak source.		

\* May differ in certain applications. Hot NO<sub>2</sub> from exhaust systems is lighter than ambient air.



**WARNING:** Some materials such as, but not limited to, tetraethyl lead, silicones, some sulfur, phosphorus, and chlorinated compounds may have a poisoning effect resulting in a loss of sensitivity.

## Mounting

The E<sup>3</sup>Point Remote Sensor is designed to be mounted in an extra wide (2 3/8") electrical box (not supplied) in the same way as a faceplate. Suggested electrical boxes include T&B BC1110, Hubbell 1110, OZ-Gedney 18112, Appleton 18112, Bowers 10612-BW, or Steel City 68371-12.

It does not fit on 4x4" steel boxes with a single gang mud ring, such as T&B 52CO or 52C13.

- Run the wires through the electrical box and connect to the remote sensor (as indicated in [Figure 2](#)).
- Press the sensor (2) into the faceplate (1) and close and press the back cover (3) into the faceplate. You should hear a click.
- Securely mount the unit to the extra wide electrical box (4) using the appropriate screws (5).

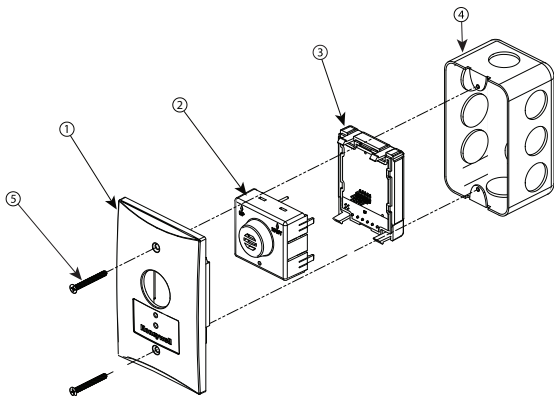


Figure 1. E<sup>3</sup>Point Remote Sensor Parts

## Wiring Diagram

### Connecting Main Sensor to Remote

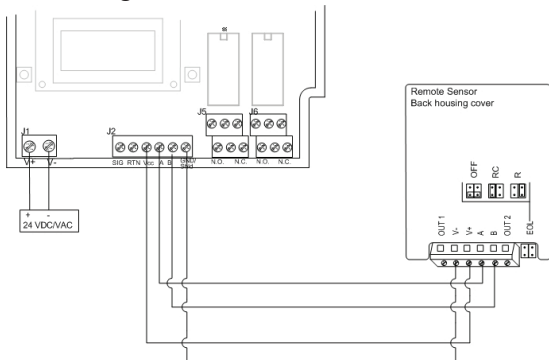


Figure 2. Connecting Main Sensor to Remote



The OUT1 and OUT2 connectors on the remote sensor's terminal are not used. DO NOT connect any wires to these locations.

**Wire:** Signal wiring should be done with #20-24 AWG shielded twisted pair cable Belden 9841 or similar. Network units should have no more than 2,000 ft (600 m) of #22 AWG wire. Smaller gauge sizes are limited by the same resistance limit. The LED on the faceplate blinks to indicate communication with the main unit.

## Wiring Diagram

### Connecting Main Sensor to Remote

---

# Specifications

Power:	Electrochemical sensor: 10-24 VDC, 50 mA
	Catalytic: 10-16 VDC, 100 mA
Operating temperature:	-20°C to 50°C (-4°F to 122°F)
Operating humidity:	15 to 90% relative humidity (non-condensing)
Sensor type:	Electrochemical cell (CO, NO <sub>2</sub> , H <sub>2</sub> S, O <sub>2</sub> ); catalytic (Comb)
Visual indicator:	Amber LED (Tx)
Size (DxWxH):	3.5 x 4.5 x 6.5 cm (1.36 x 1.75 x 2.56 in.)
Weight:	38 g (1.34 oz.)

## Detection Ranges and Alarm Levels

Gas Detected		Range	Alarm A	Alarm B	Alarm C	Maximum Overload
CO	Carbon monoxide	0-250 ppm	25 ppm	200 ppm	225 ppm	500 ppm
H <sub>2</sub> S	Hydrogen sulfide	0-50 ppm	10 ppm	15 ppm	45 ppm	150 ppm
NO <sub>2</sub>	Nitrogen dioxide	0-10 ppm	0.7 ppm	2 ppm	5 ppm	1000 ppm
O <sub>2</sub>	Oxygen	0-25 %vol	19.5 %vol.	22 %vol.	23 %vol	100 %vol
COMB	Combustibles	0-100 %LEL	25 %LEL	50 %LEL	90 %LEL	100 %LEL

Maximum Overload is the cell exposure to gas concentration that may result in permanent damage to the cell.

## Sensor Overload

- Sensor overload occurs whenever the gas concentration reading is higher than the full scale value, no matter how high the gas concentration is.
- Overload Warning state is latched when true. It stays activated indefinitely and independent of gas concentration reading.

## Standard Parts List

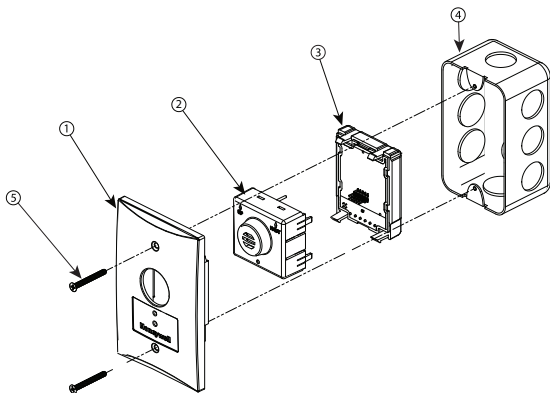


Figure 3. E³Point Remote Sensor Parts

Item #	Description
1	E³Point Remote Sensor faceplate
2	E³Point sensor
3	Remote sensor back cover
4	Extra wide rectangular J-box (not included)
5	Mounting screw (not included)



To change a sensor cartridge, disconnect all power to the device, remove the back cover, pull out the “smart sensor” cartridge, and press the replacement cartridge into place. Once the Smart Sensor is firmly in place, replace the back cover and reconnect power. *Use caution when pressing the Smart Sensor into place to avoid bending the pins.*



## Periodic Inspection and Maintenance

This unit requires regular inspection. The frequency will be determined by the operating conditions, which includes extreme temperatures, exposure to contaminants, or gas. Inspect the unit at least once every 6 months.

Contact a Honeywell Sales or Service representative for information about maintenance. Calibration kits with instructions are available from Honeywell.

## Maintenance

The unit will provide years of service with minimal care.

- Visually inspect at regular intervals to ensure optimum operating condition (no breakage, sensor filter not blocked or clogged, etc.).
- An accurate maintenance log of all maintenance, calibration, and occurrences must be kept for the proper service of this product.
- Do not expose the sensor to high pressure water spray. Sensors should not be exposed to solvents.
- Clean the exterior with a soft, damp cloth. Do not use solvents, soaps, or polishes.
- Do not immerse the unit in liquids.

## Sensor Life Span

Sensor life span may be affected by certain operating conditions or by exposure to concentrations higher than the detection range.

Sensor Type	Life Span Specifications (typical)
CO	6 years, normal use at temperatures > -10°C
H <sub>2</sub> S	2 years, in air
NO <sub>2</sub>	2 years, in air
O <sub>2</sub>	2 years until readings are at 85% of original 20.9% input
COMB	2 years, in air



---

# Limited Warranty

## Limited Warranty

Honeywell Analytics Inc. warrants to the original purchaser and/or ultimate customer (“Purchaser”) of Honeywell products (“Product”) that if any part thereof proves to be defective in material or workmanship within one (1) year, such defective part will be repaired or replaced, free of charge, at Honeywell Analytics’ discretion if shipped prepaid to Honeywell Analytics at 4005 Matte Blvd., Suite G, Brossard, Quebec, Canada, J4Y 2P4, in a package equal to or in the original container. The Product will be returned freight prepaid and repaired or replaced if it is determined by Honeywell Analytics that the part failed due to defective materials or workmanship. The repair or replacement of any such defective part shall be Honeywell Analytics’ sole and exclusive responsibility and liability under this limited warranty.

## Re-Stocking Policy

The following re-stocking fees will apply when customers return products for credit:

15% re-stocking fee will be applied if the product is returned within 1 month following the shipping date.

30% re-stocking fee will be applied if the product is returned within 3 months following the shipping date.

A full credit (less re-stocking fee) will only be issued if the product is in perfect working condition. If repairs are required on the returned product, the cost of these repairs will be deducted from the credit to be issued.

No credits will be issued beyond the three month period.

## Exclusions

If gas sensors are part of the Product, the gas sensor is covered by a twelve (12) month limited warranty of the manufacturer.

## **Limited Warranty**

### Disclaimer of Unstated Warranties

---

If gas sensors are covered by this limited warranty, the gas sensor is subject to inspection by Honeywell Analytics for extended exposure to excessive gas concentrations if a claim by the Purchaser is made under this limited warranty. Should such inspection indicate that the gas sensor has been expended rather than failed prematurely, this limited warranty shall not apply to the Product.

This limited warranty does not cover consumable items, such as batteries, or items subject to wear or periodic replacement, including lamps, fuses, valves, vanes, sensor elements, cartridges, or filter elements.

## **Warranty Limitation and Exclusion**

Honeywell Analytics will have no further obligation under this limited warranty. All warranty obligations of Honeywell Analytics are void if the Product has been subject to abuse, misuse, negligence, or accident or if the Purchaser fails to perform any of the duties set forth in this limited warranty or if the Product has not been operated in accordance with instructions, or if the Product serial number has been removed or altered.

## **Disclaimer of Unstated Warranties**

The warranty printed above is the only warranty applicable to this purchase. All other warranties, express or implied, including, but not limited to, the implied warranties of merchantability or fitness for a particular purpose are hereby disclaimed.

## **Limitation of Liability**

It is understood and agreed that Honeywell Analytics' liability, whether in contract, in tort, under any warranty, in negligence or otherwise shall not exceed the amount of the purchase price paid by the purchaser for the product and under no circumstances shall Honeywell Analytics be liable for special, indirect, or consequential damages. The price stated for the product is a consideration limiting Honeywell Analytics' liability. No action, regardless of form, arising out of the transactions under this warranty may be brought by the purchaser more than one year after the cause of actions has occurred.

## Limited Warranty

### Disclaimer of Unstated Warranties

---



## Limited Warranty

### Disclaimer of Unstated Warranties

---



---

Dispositif de détection de gaz






Détecteur à distance  
E<sup>3</sup>Point  
Manuel d'utilisateur

révision 2



# Définitions des symboles

Le tableau suivant contient la liste des symboles utilisés dans ce document pour indiquer certaines conditions :

Symbol	Definition
	ATTENTION: Identifie une information demandant une attention spéciale
	Truc: Identifie un conseil ou un truc pour l'utilisateur, souvent concernant une tâche
	RÉFÉRENCE- INTERNE Indique une source d'information supplémentaire à l'intérieur du document.
<b>CAUTION</b>	Indique une situation à éviter pouvant entraîner des dommages au système ou la perte de travail (documents) ou pouvant prévenir l'opération normale du système.
	ATTENTION : Indique une situation potentiellement dangereuse qui peut entraîner des blessures mineures ou modérées si pas évité. Peut également signaler des actions dangereuses  ATTENTION: Un symbole sur l'équipement qui réfère l'utilisateur à la documentation pour de plus amples informations. Ce symbole apparaît à côté des informations nécessaires dans le manuel.
	AVERTISSEMENT : Indique une situation potentiellement dangereuse qui peut entraîner des blessures majeures ou la mort si pas évité.  AVERTISSEMENT Un symbole sur l'équipement qui réfère l'utilisateur à la documentation pour de plus amples informations. Ce symbole apparaît à côté des informations nécessaires dans le manuel.



---

# Table des matières

<b>Définitions des symboles</b> .....	<b>i</b>
<b>Introduction</b> .....	<b>1</b>
Description .....	1
Information de sécurité .....	1
<b>Installation</b> .....	<b>2</b>
Emplacement des sondes.....	2
Hauteur d'installation .....	3
Montage.....	4
<b>Schéma de connexion</b> .....	<b>5</b>
Connecter la sonde à distance à l'unité principale .....	5
<b>Spécifications</b> .....	<b>7</b>
Plages de détection et niveaux d'alarme .....	7
Surcharge de la sonde.....	8
Liste de pièces .....	9
Inspection et entretien régulier.....	10
Entretien .....	10
Durée de vie de la sonde .....	10



---

# Introduction

## Description

Le détecteur à distance E<sup>3</sup>Point est un détecteur de gaz toxique ou combustible qui est compatible avec le détecteur autonome E<sup>3</sup>Point et avec les fonctions de certains produits de type contrôleur, tel le 301C. Il offre la surveillance continue des dangers associés aux gaz CO, H<sub>2</sub>S, O<sub>2</sub>, NO<sub>2</sub> et combustibles dans l'air ambiant.

Le E<sup>3</sup>Point est conçu pour l'installation dans une boîte électrique extra large (2 3/8").

Le détecteur à distance E<sup>3</sup>Point est conçu pour être utilisé uniquement avec l'unité E<sup>3</sup>Point Autonome. Aucune autre utilisation n'est supportée pas Honeywell Analytics.

## Information de sécurité

Les utilisateurs du détecteur à distance E<sup>3</sup>Point doivent bien comprendre les instructions d'installation, d'opération et d'entretien pour assurer la protection offerte par le détecteur. Lire les avertissements suivants avant d'utiliser le détecteur.

---

### ATTENTION:

- Installer selon les codes et réglementations locaux.
- L'installation doit toujours être effectuée par le personnel qualifié.
- Ne pas peindre le filtre de la sonde.
- Maintenir le filtre de la sonde libre de toute saleté et de débris.
- Ne pas couvrir le filtre de la sonde.
- Ne pas exposer le détecteur aux chocs électriques ou aux chocs mécaniques continus.
- Ne pas exposer la sonde à des jets d'eau à haute pression.
- Ne pas utiliser le détecteur s'il est endommagé. Inspecter pour des fissures et des pièces de métal ou de plastique manquantes. Si le détecteur est endommagé, communiquer avec Honeywell Analytics sans délais.
- La garantie sera annulé si le client, ou autre personnel de service, essaie de réparer l'unité.



# Installation

## Emplacement des sondes

Voici quelques suggestions pour assurer la détection du gaz ciblé. Choisir l'emplacement approprié pour chaque détecteur.

**Courants d'air** : S'il ya des ventilateurs, du vent ou d'autres sources de déplacement d'air, le gaz peut s'accumuler dans certains endroits de l'édifice. Toujours tenir compte des courants d'air lors de la sélection de l'emplacement. La convection de l'air peut parfois être plus importante que la densité de vapeur dans la détermination des zones d'accumulation de gaz.

**Sources d'émission de gaz** : au moins un détecteur devrait être installé près d'une source possible de fuite.



**ATTENTION:** Puisque chaque sonde « rapporte » uniquement sa lecture actuelle, il est essentiel d'installer la sonde là où les fuites sont plus aptes à se produire.

---



## Hauteur d'installation

Gaz détecté		Densité relative	Hauteur d'installation
		(air = 1)	
CO	Monoxyde de carbone	0.968	1–1.5 m (3–5 pi.) du sol
H <sub>2</sub> S	Sulfur d'hydrogène	1.19	30 cm (1 pi.) du sol
*NO <sub>2</sub>	Dioxyde d'azote	1.58 (froid)	30 cm–1 m (1-3 pi) du plafond
O <sub>2</sub>	Oxygène	1.43	1–1.5 m (3–5 pi.) du sol
COMB	La plupart des combustibles sont plus lourds que l'air, excepté le méthane et l'hydrogène. Pour les gaz plus lourd que l'air, des capteurs devraient être installés à environ 30 cm du sol. Pour les combustibles plus légers que l'air, des capteurs devraient être installés à 30 cm du plafond, près de la source potentielle de fuite.		

\* Peut varier dans certaines situations: le NO<sub>2</sub> chaud, provenant de systèmes d'aspiration est plus léger que l'air ambiant.



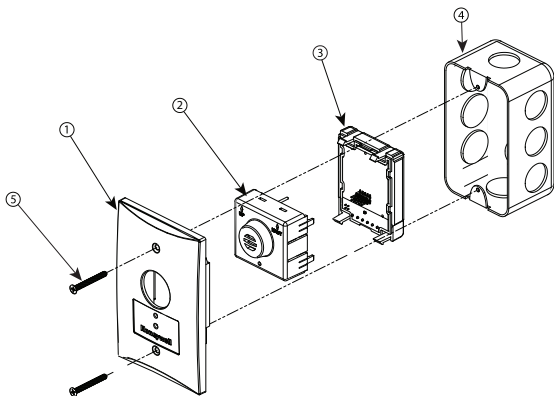
**ATTENTION:** Certaines matières, incluant, mais pas limitée à, le plomb tétraéthyle, les silicones, certains sulfures, phosphoreux et produits chlorés, peuvent empoisonner la sonde, ce qui réduit la sensibilité de la sonde.

## Montage

Le détecteur à distance E<sup>3</sup>Point est conçu pour le montage dans une boîte électrique extra large (2 3/8") (non incluse) de même façon qu'une plaque d'interrupteur. Quelques suggestions de boîtes électriques : T&B BC1110, Hubbel 1110, OZ\_Gedney 18112, Appleton 18112, Bowers 10612-BW ou Steel City 68371-12.

L'unité ne convient pas aux boîtes simple (single gang) avec anneau à boue telles les T&B 52CO ou 52C13.

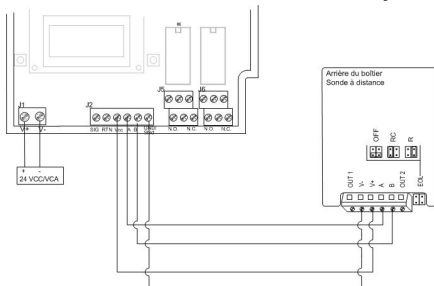
- Passer les fils dans la boîte électrique puis connecter au capteur à distance (selon le schéma de connexion).
- Insérer la sonde (2) dans la plaque (1) puis insérer le couvercle arrière (3) par dessus la sonde, dans la plaque (écouter pour un « clique »).
- Affixer l'unité à la boîte électrique (4) avec les vis appropriés (5).



**Illustration 1. Pièces du détecteur à distance**

# Schéma de connexion

## Connecter la sonde à distance à l'unité principale



### Illustration 2. Connexion de l'unité principale au détecteur à distance



Les connecteurs OUT1 et OUT2 sur le bornier de la sonde à distance ne sont pas utilisés. NE PAS connecter de fils à ces endroits.

**Câblage :** Le câblage de signal devrait être effectué avec #20-24 AWG pair, torsadé et blindé Belden 9841, ou similaire. Les unités de réseau ne doivent pas avoir plus de 600 m (2000 pi) de câble #22 AWG. Les calibres plus petits sont limités par la même limite de résistance. Le DEL de la plaque clignote pour indiquer la communication avec l'unité principale.

## Schéma de connexion

Connecter la sonde à distance à l'unité principale

---

# Spécifications

Alimentation :	Sonde électrochimique: 10-24 Vcc, 50mA
	Catalytique: 10-16 Vcc, 100mA
Temperature d'opération :	-20 à 50°C (-4 à 122°F)
Humidité d'opération :	15 90 % humidité relative (sans condensation)
Type de sonde :	Électrochimique (CO, NO <sub>2</sub> , H <sub>2</sub> S, O <sub>2</sub> ; catalytique (Comb)
Voyants :	DEL jaune (Tx)
Dimensions (PxLxH) :	3.5 x 4.5 x 6.5 cm (1.36 po x 1.75 po x 2.56 po.)
Poids :	38 g (1.34 oz.)

## Plages de détection et niveaux d'alarme

Gaz détectés		Plage	Alarme A	Alarme B	Alarme C	Surcharge maximum
CO	Monoxyde de carbone	0-250 ppm	25 ppm	200 ppm	225 ppm	500 ppm
H <sub>2</sub> S	Sulfure d'hydrogène	0-50 ppm	10 ppm	15 ppm	45 ppm	150 ppm
NO <sub>2</sub>	Dioxyde d'azote	0-6 ppm	0.72 ppm	2 ppm	5 ppm	1000 ppm
O <sub>2</sub>	Oxygène	0-25% vol	19.5% vol.	22% vol.	23% vol	100 % vol
COMB	Combustibles	0-100% LIE	25% LIE	50% LIE	90% LIE	100 % LIE

La surcharge maximum est l'exposition de la sonde à une concentration de gaz qui peut créer des dommages permanent à la sonde.

## Spécifications

### Surcharge de la sonde

---

## Surcharge de la sonde

- La surcharge se produit lorsque la lecture de concentration de gaz est au delà de la valeur pleine échelle, peut importe le niveau de la concentration.
- L'état d'avertissement de surcharge et verrouillé lorsque vrai. Il demeure activé pour une période indéterminée et est indépendant de la lecture de concentration de gaz.

## Liste de pièces

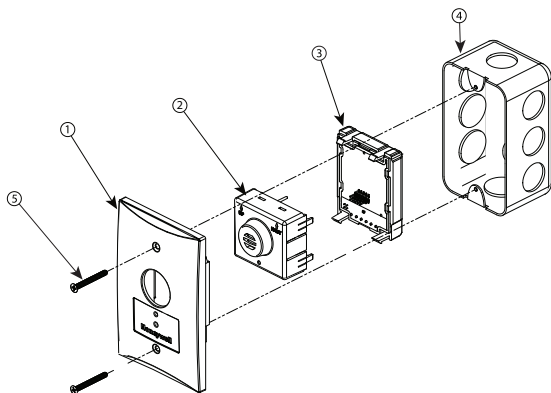


Illustration 3. Pièces du détecteur à distance E³Point

Numéro	Description
1	Plaque du détecteur à distance E³Point
2	Sonde E³Point
3	Couvercle arrière
4	Boîte électrique (pas inclus)
5	Vis de montage (pas inclus)



Pour remplacer une cartouche de sonde, couper l'alimentation au dispositif puis simplement retirer le « capteur intelligent » et mettre le nouveau en place en appuyant légèrement. Remettre sous tension lorsque le nouveau capteur est en place. Faire attention de ne pas endommager les broches lors du remplacement.

## Spécifications

Inspection et entretien régulier

## Inspection et entretien régulier

Cette unité nécessite une inspection régulière, incluant des tests avec gaz. La fréquence est en fonction de conditions d'utilisation, incluant les extrêmes de température et l'exposition aux contaminants ou aux gaz.

Contactez un représentant des Ventes ou du Service Honeywell pour toute information concernant l'entretien. Les kits de calibrations peuvent être commandés chez Honeywell.

## Entretien

L'unité fournira plusieurs années de service avec un minimum d'entretien.

- Inspection visuelle à des intervalles régulières pour assurer l'état d'opération idéal (aucun bris, filtre de sonde sans blocage, etc.).
- Il est essentiel de maintenir un registre exacte de tout entretien, test de gaz et d'étalonnage pour assurer le service approprié de ce produit.
- Ne pas exposer le détecteur aux jets d'eau à haute pression, ni aux solvants.
- Nettoyer l'extérieur avec un linge doux et humide. Ne pas utiliser de solvants, de savons ou de produits à polir.
- Ne pas plonger l'unité dans des liquides.

## Durée de vie de la sonde

La durée de vie de la sonde peut être affectée par les conditions d'utilisation ou par l'exposition à des concentrations au delà de la plage de détection.

Type de sonde	Caractéristiques de durée de vie
CO	6 ans, utilisation normale à des températures > -10°C
H <sub>2</sub> S	2 ans, dans l'air
NO <sub>2</sub>	2 ans, dans l'air
O <sub>2</sub>	2 ans jusqu'au moment que les lectures sont à 85 % de l'entrée originale de 20.9 %
COMB	2 ans, dans l'air



---

# Garantie limitée

## Garantie limitée

Honeywell Analytics, Inc. garantie à l'Acheteur d'origine et/ou au client final (« Acheteur ») de produits Vulcain (« Produit ») que si une pièce quelconque du produit s'avère défectueuse, soit en matériel ou en main d'oeuvre, dans les douze (12) mois, cette pièce sera réparée ou remplacée, sans frais, à la discrétion d'Honeywell Analytics si expédié, port payé, à Honeywell Analytics at 4005 Matte Blvd., Local G, Brossard, Quebec, Canada, J4Y 2P4, dans l'emballage d'origine ou l'équivalent. Le Produit sera retourné au client port payé si Honeywell Analytics détermine que la pièce est défectueuse en raison de défaut matériel ou de main d'oeuvre. La réparation ou le remplacement d'une telle pièce défectueuse représente la seule et exclusive responsabilité d'Honeywell Analytics sous cette garantie limitée.

## Politique de Retour

Les frais suivants seront applicables lors de retour de produit pour crédit :

Des frais de retour de 15% seront appliqués lorsque le produit est retourné dans le 1er mois suivant la date d'expédition

Des frais de retour de 30% seront appliqués lorsque le produit est retourné dans les 3 mois suivant la date d'expédition

Un crédit total (moins les frais de retour) sera uniquement appliqué si le produit est en parfait état de fonctionnement. Si des réparations sont nécessaires sur le produit retourné, les frais de cette réparation seront déduits du crédit.

Aucuns crédits ne seront appliqués pour les retours après les 3 mois suivant la date d'expédition.

## Exclusions

Si des capteurs de gaz font partie du Produit, le capteur est couvert par une garantie limitée de douze (12) mois du fabricant.

Si les capteurs de gaz sont couverts par cette garantie limitée, le capteur sera assujéti à l'inspection par Honeywell Analytics pour l'exposition prolongée à des concentrations de gaz élevées si l'Acheteur fait une réclamation sous cette garantie limitée. Si

## **Garantie limitée**

### Limitation de responsabilité

---

l'inspection indique que la cause de la défectuosité est l'épuisement du capteur plutôt qu'un défaut, cette garantie ne s'appliquera pas au Produit.

Cette garantie limitée ne s'applique pas au produits consommables, tels les piles, ou les articles sujets à l'usure ou au remplacement régulier, incluant les lampes, les fusibles, les valves, les aubes, les éléments de sonde, les cartouches ou les éléments de filtres.

## **Limitation et exclusion de la garantie**

Honeywell Analytics n'aura aucune autre responsabilité sous cette garantie limitée. Toutes responsabilités de garantie d'Honeywell Analytics sont annulées si le Produit a subi des abus, de la négligence, un accident ou si l'Acheteur est en défaut de ses obligations tels que décrit dans cette garantie ou si le Produit n'a pas été utilisé selon les instructions ou si le numéro de série du Produit été enlevé ou modifié.

## **Dénégation de responsabilité d'autres garanties**

La garantie ci-haut est la seule garantie applicable à cet achat. Toutes autres garanties, soit implicites ou exprès, incluant mais pas limité à, les garanties tacites de qualité marchande ou de l'aptitude à un emploi particulier sont dénuées par le présent document.

## **Limitation de responsabilité**

Il est entendu que la responsabilité d'Honeywell Analytics, soit en contrat, en délit civil, sous n'importe quelle garantie de responsabilité, en négligence ou autrement n'excédera pas le prix d'achat payé par l'Acheteur pour le produit. Honeywell Analytics ne sera pas responsable, sous aucune circonstance, pour des dommages spéciaux ou indirectes. Le prix déclaré pour le produit est une considération limitant la responsabilité d'Honeywell Analytics. Aucune action, en quelle forme que soit, survenant des transactions sous cette garantie peuvent être entreprises par l'Acheteur plus d'un an après l'occurrence de la cause de ces actions.



Find out more/  
Pour renseignements  
[www.honeywellanalytics.com](http://www.honeywellanalytics.com)

Contact / Coordonnées  
Honeywell Analytics Inc.  
4005 Matte, Suite G  
Brossard, Quebec,  
Canada, H4Y 2P4  
1-800-563-2967  
[www.honeywellanalytics.com](http://www.honeywellanalytics.com)

Technical Services /  
Services techniques  
[www.haservice@honeywell.com](mailto:www.haservice@honeywell.com)

**Honeywell**

1998M0773  
revision 2  
©2011 Honeywell Analytics