



PERFECT HEAT.

The Professional Warming Drawer

Use and Care Guide



MODELS:

WDS-27

WDS-30

WDI



A MESSAGE TO OUR CUSTOMERS

Thank you for selecting this DCS Warming Drawer. Because of its unique features, we have developed this Use and Care Guide. It contains valuable information on how to properly operate and maintain your new Warming Drawer for years of safe and enjoyable use.

To help serve you better, please fill out and submit your Ownership Registration Card by visiting our website at www.dcsappliances.com and selecting "Customer Service" on the home page and then select "Ownership Registration". You may also submit the enclosed Ownership Registration Card by mail to the address below. In addition, keep this guide handy, as it will help answer questions that may arise as you use your new DCS Warming Drawer.

For your convenience, product questions can be answered by a DCS Customer Service Representative by phone: 1-888-281-5698, email: support@dcsappliances.com, or by mail:

DCS
Attention: Customer Service
5800 Skylab Road
Huntington Beach, CA 92647



WARNING

The warming drawer is not intended to be used in conjunction with water. DO NOT fill the drawer or warming cavity with water. Doing so could create a shock hazard resulting in a possible injury.



WARNING

TO REDUCE THE RISK OF INJURY TO PERSONS IN THE EVENT OF A WARMING DRAWER GREASE FIRE, OBSERVE THE FOLLOWING: SMOTHER FLAMES with a close-fitting lid, cookie sheet, or metal tray, then turn off the Warming Drawer. BE CAREFUL TO PREVENT BURNS. If the flames do not go out immediately EVACUATE AND CALL THE FIRE DEPARTMENT. NEVER PICK UP A FLAMING PAN - You may be burned. DO NOT USE WATER, including wet dishcloths or towels - a violent steam explosion will result. Use an extinguisher ONLY if:

1. You know you have a Class ABC extinguisher, and you already know how to operate it.
2. The fire is small and contained in the area where it started.
3. The fire department is being called.
4. You can fight the fire with your back to an exit.



WARNING

DO NOT use water on grease fires. Turn OFF the warming drawer, then smother the fire with baking soda or use a dry chemical or foam-type fire extinguisher.

**PLEASE RETAIN THIS MANUAL
FOR FUTURE REFERENCE.**

TABLE OF CONTENTS

SAFETY PRACTICES & PRECAUTIONS	3-4
USE AND CARE INFORMATION	5-8
Operational Guide.....	5
Cleaning the Warming Drawer	6
Removing the Drawer.....	7
Replacing the Drawer	8
SUGGESTED TEMPERATURE SETTINGS TO KEEP FOODS HOT	9
SERVICE	10
WARRANTY	11

SAFETY PRACTICES & PRECAUTIONS

READ AND UNDERSTAND THESE PRECAUTIONS

- Read this Use and Care Manual thoroughly before using your new appliance. This will help to reduce the risk of fire, electric shock, or injury to persons.
- Remove all packaging materials from your appliance. If the installer has not set up your appliance, do it now.
- Install according to instructions. To insure proper installation and servicing, follow the installation guide which came with this appliance.
- Be sure to have a qualified service technician install and ground this appliance.
- Plug into rated outlet: 120 Volts AC, 5 amp minimum circuit requirement.

PREHEATING INSTRUCTIONS

The Warming Drawer is designed to keep cooked foods warm for extended periods of time. The drawer must be pre-heated before use (see chart on Operational Guide, page 5). If the warming drawer isn't pre-heated, the internal temperature of the food being warmed could fall below the minimum safe level and bacteria could develop. Always preheat the drawer according to the instructions described in the warming drawer use section of this manual.

- Children should not be left alone or unattended in an area where appliances are in use. They should never be allowed to turn knobs, push buttons, sit or stand on any part of an appliance.
- Children in walkers, or children crawling can be attracted to the round door handle and may grab and open the warming drawer. This can result in injury from the door being pulled open on a child, or severe burns if it is in use and hot.

WARNING

Do not store items of interest to children in, above or around any appliance. Children could be seriously injured if they should climb onto the appliance to reach these items.

Be certain to use only dry pot holders: Moist or damp pot holders on hot surfaces may cause burns from steam. Do not use a towel or other bulky cloth in place of pot holders.

- Never store anything in the warming drawer. Flammable materials can catch fire, plastic items may melt or ignite and other types of items could be ruined.
- Do not hang articles from any part of the appliance or place anything against the drawer. Some fabrics are quite flammable and could catch on fire.
- For safety reasons and to avoid damage to the appliance, never sit, stand, or lean on the warming drawer door.
- For personal safety, wear proper apparel. Loose fitting garments or hanging sleeves should never be worn while using this appliance. Some synthetic fabrics are highly flammable and should not be worn while using this appliance.
- Do not use aluminum foil to line any part of the warming drawer. Using a foil liner could result in a fire hazard, or the obstruction of the flow of heat and ventilation air. Foil is an excellent heat insulator and heat will be trapped underneath it. This trapped heat can upset the performance of the warming drawer parts.

WARNING

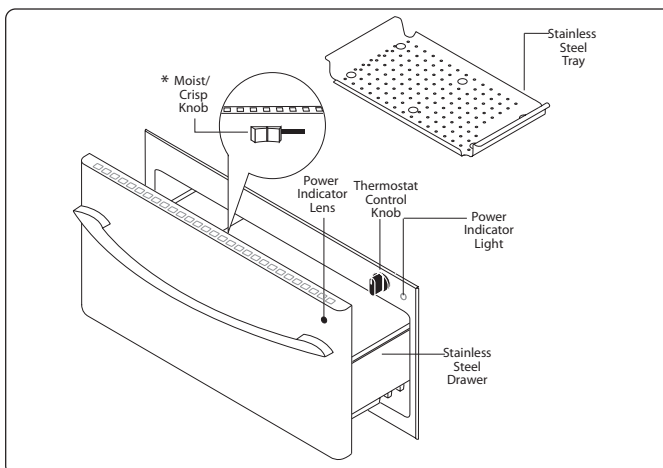
This appliance is designed for warming food. Based on safety considerations, never use the warming drawer to warm or heat a room.

SAFETY PRACTICES & PRECAUTIONS

- As with any cooking or heating appliance, never leave the warming drawer unattended when warming food, this could be a fire hazard.
- Only certain types of glass, heat proof glass-ceramic, ceramic, earthenware or glazes are suitable for use in this warming drawer. Utensils that are not thermally heat safe may break with sudden temperature changes.
- Never heat unopened containers, a build up of pressure may cause the container to burst.
- 120 volt AC, 5 amp minimum circuit required.
- Grease is flammable, avoid letting grease deposits collect in the warming drawer, clean up spillage.
- DO NOT use water on grease fires. Turn OFF the warming drawer, then smother the fire with baking soda or use a dry chemical or foam-type fire extinguisher.
- When opening the drawer while keeping sauces warm, tomato sauce, etc., the drawer must be opened slowly to avoid spillage.
- Use care when opening a hot warming drawer; to avoid severe burns, open slowly, allow the hot air or steam to escape before reaching in to remove or replace any foods.
- Do not repair or replace any part of this appliance unless it is specifically recommended in this manual. All other servicing should be referred to a qualified Service Technician. Service Technicians must disconnect the power supply before servicing this appliance.
- When using the warming drawer: DO NOT TOUCH THE INTERIOR SURFACES or the exterior area immediately surrounding the door until it has had sufficient time to cool to avoid burn injuries.
- Clean the warming drawer with caution. Avoid steam burns; do not use a wet sponge or cloth to clean the appliance while it is hot. Some cleaners produce noxious fumes if applied to a hot surface. Follow directions provided by the cleaner manufacturer.
- Be sure all the controls are turned off and the appliance is cool before using any type of aerosol cleaner on or around the appliance. The chemical that produces the spraying action could, in the presence of heat, ignite or cause metal parts to corrode.
- Do not touch the heating element or interior surfaces of the warming drawer, even if they appear dark in color. They may still be hot enough to cause burn injury, allow sufficient time to cool.
- Do not allow flammable materials which may ignite to come in contact with the hot heating element or the interior surface of the warming drawer until the unit has had a sufficient time to cool.

WARMING DRAWER FEATURES

* Moist/crisp feature not available on fully integrated model (WDI).



USE & CARE INFORMATION

OPERATIONAL GUIDE

The Warming Drawer is designed to keep previously cooked foods at a safe, warm temperature, for extended periods of time, when operated correctly. It is not designed to cook or reheat food. The Warming Drawer should be pre-heated according to the chart below prior to inserting the food to be warmed. Food may be kept up to two hours in the warming drawer. Failure to pre-heat could result in unsafe food temperatures, which could accelerate the formation of bacteria in the food being kept warm. The dial on the top right corner of the unit is the on/off and temperature control adjustment. When the dial is turned clockwise from the off position to the proof position, the unit will maintain a temperature of approximately 100°F. By rotating the dial clockwise to the high position, the drawer will reach a temperature of approximately 230°F.

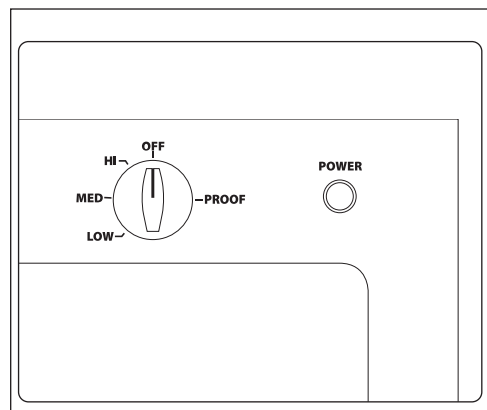


Fig. 07

To Use: Turn the thermostat dial to a temperature setting;

High Medium Low Proofing

- If you will be using the tray, preheat it while preheating the warming drawer.
- Preheat any empty serving dishes to be used, while preheating the drawer.
- Add cooked, hot food in its cooking container or heat-safe container.
- Aluminum foil may be used to cover food containers.

CAUTION

Do not use plastic containers or plastic wrap. They can melt if in direct contact with the drawer or a hot utensil and if these items melt, they may adhere to the drawer and may be unremovable. Use only heat-safe dishes.

PREHEAT TIME AND TEMPERATURE SELECTOR:

Proofing.....Do not preheat	90°-110°
Low.....Preheat 10 min.	140°-170°
MediumPreheat 15 min.	170°-200°
High.....Preheat 20 min.	200°-230°

- Always preheat on high, then turn the knob to the desired setting.
- To keep several different foods hot together, set the temperature to the food needing the highest setting. Place items needing highest setting on the bottom of the drawer and food needing less heat on the tray.

PROOFING YEAST DOUGH

Place dough in a greased jelly roll or half sheet pan or oiled bowl, no taller than five inches in height. Turn dough over to grease all areas of the dough, cover with a damp clean cloth. Place in the center of warming drawer and turn the control knob to LOW and immediately back to PROOF. Check at 45 minutes to one hour. Dough should double in size. Shape dough, place in baking pan, and put in warming drawer for second rising, about 30 to 45 minutes; add extra time if needed.

USE & CARE INFORMATION

CLEANING THE WARMING DRAWER

- Be careful cleaning any part of this appliance, particularly the drawer box and back of the drawer face. All parts of the drawer can be cleaned with a hot soapy damp cloth, rinsed, dried and buffed with a heavy pile cloth. Always try this first, as it is the mildest cleaning procedure.
 - Be sure the Warming Drawer is turned off and the appliance is cool before using any type of aerosol cleaner on or around the appliance. The chemical that produces the spraying action could, in the presence of heat, ignite or cause metal parts to corrode.
 - Use the mildest cleaning procedure first. Some brands of cleaners are harsher than others, read their directions. Try on a small area first.
 - To avoid marring the surface always rub the metal finishes in the direction of the polish grain lines. The cleaner will be more effective when used in the direction of the polish lines.
 - Use only clean sponges, soft cloths, paper towels, plastic or non-metal soap pads for cleaning or scouring, as recommended in this section. (**Caution:** some soap pads can scratch).
 - Be sure to rinse all parts thoroughly and to wipe dry to avoid water marks.
 - Remove food particles after every used.
- 1) **Drawer:** Clean the drawer with warm soapy damp sponge or cloth.
 - 2) **Drawer Front:** Shine with stainless steel cleaner in direction of grain.
 - 3) **Gasket:** Clean with warm soapy damp sponge (care should be taken when cleaning the gasket because silicon is tough until it is cut, at which time it will tear very easily).
 - 4) **Knobs:** The on/off temperature knob may be removed to be cleaned (See Fig.07). The moist/crisp knob, however, should never be removed. ***Be aware that the pull off force will decrease and a loose knob could become a choking hazard for small children.*** Should the knob come off, use DCS cement (part number 14178) to re-attach the knob.
 - 5) **Light:** Clean with damp cloth or sponge.
 - 6) **Drawer cavity:** Same as Drawer above.
 - 7) **Element:** Care should be taken when cleaning the heating element. Only clean the element when the unit is cool. Use warm soapy water on damp cloth.
 - 8) **Stainless Steel tray:** Can be removed and cleaned with hot soapy water at sink.

USE & CARE INFORMATION

REMOVING THE DRAWER

Be sure the drawer is cool and no food items or trays are in the drawer. Never attempt to remove the drawer while the unit is on or warm.

- 1) To remove the drawer, first remove plates, trays, etc., from the drawer.
- 2) Pull the drawer open towards you all the way until it reaches the stop position (Fig. 8).
- 3) Lift up on the handle while pressing the plastic locking tip on both sides and pulling the drawer towards you. The drawer will ride on the side holders and can be lifted up to be fully removed (see Fig. 9 and 10).
- 4) A strike is located at the center back of the drawer (fig. 11). The catch, which is in the inside of the warming drawer, grabs and holds the strike to keep the door shut tightly.



Fig. 08



Fig. 09



Fig. 10



Fig. 11

USE & CARE INFORMATION

REPLACING THE DRAWER

 **WARNING**

With the drawer removed, the heating element is exposed (see figure 12). Never turn the unit on while the drawer is removed. Never let children play near or touch the warming drawer while it is not safely installed. Push the slides back into the cabinet while the drawer is removed to prevent accidents.

- 1) To reinstall the drawer, extend the slides fully to their stop position (figure 13), lift the drawer over the slides and lower the back of the side holder over the slides (see figures 14 & 15).
- 2) The drawer front can be lowered and slid back to engage the rear anti-tip pins on the drawer and slides; then engage the front plastic locking tips. (see figures 15-17).

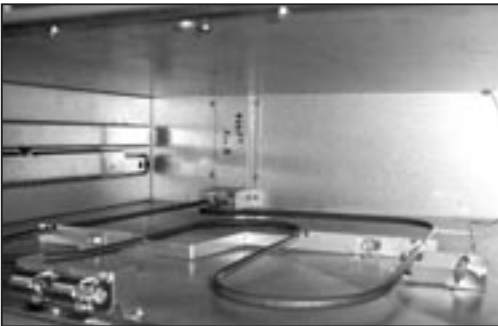


Fig. 12

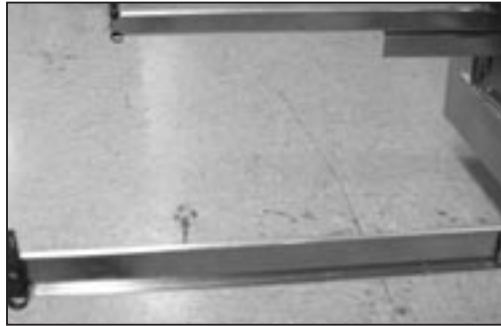


Fig. 13



Fig. 14



Fig. 15



Fig. 16



Fig. 17

TEMPERATURE SETTINGS

SUGGESTED TEMPERATURES TO KEEP FOODS HOT

<i>FOOD</i>	<i>TEMPERATURE</i>	<i>SLIDE KNOB POSITION</i>	<i>COVERED/ UNCOVERED</i>
<i>Beef**</i>			
<i>Rare</i>	<i>Low</i>	<i>Moist</i>	<i>Covered</i>
<i>Medium</i>	<i>Med</i>	<i>Moist</i>	<i>Covered</i>
<i>Well Done</i>	<i>Med</i>	<i>Moist</i>	<i>Covered</i>
<i>Bacon</i>	<i>High</i>	<i>Crisp</i>	<i>Uncovered</i>
<i>Bread Dough</i>	<i>Proofing</i>	<i>Moist</i>	<i>Covered</i>
<i>Casseroles</i>	<i>Med</i>	<i>Moist</i>	<i>Covered</i>
<i>Chips</i>	<i>High</i>	<i>Crisp</i>	<i>Uncovered</i>
<i>Cooked Cereal</i>	<i>Med</i>	<i>Moist</i>	<i>Covered</i>
<i>Eggs</i>	<i>Med</i>	<i>Moist</i>	<i>Covered</i>
<i>Fish, Seafood</i>	<i>Med</i>	<i>Moist</i>	<i>Covered</i>
<i>Fried Foods (all)</i>	<i>High</i>	<i>Crisp</i>	<i>Uncovered</i>
<i>Fruit</i>	<i>Med</i>	<i>Moist</i>	<i>Covered</i>
<i>Garlic Bread, Rolls</i>	<i>Low</i>	<i>Moist</i>	<i>Covered</i>
<i>Gravy, Cream Sauces</i>	<i>Med</i>	<i>Moist</i>	<i>Uncovered</i>
<i>Ham</i>	<i>Med</i>	<i>Moist</i>	<i>Covered</i>
<i>Lamb</i>	<i>Med</i>	<i>Moist</i>	<i>Covered</i>
<i>Meat Loaf</i>	<i>Med</i>	<i>Moist</i>	<i>Covered</i>
<i>Pancakes, Waffles</i>	<i>High</i>	<i>Moist</i>	<i>Uncovered</i>
<i>Pies, one crust</i>	<i>Med</i>	<i>Moist</i>	<i>Uncovered</i>
<i>Pies, two crust</i>	<i>Med</i>	<i>Crisp</i>	<i>Uncovered</i>
<i>Pizza</i>	<i>Med</i>	<i>Crisp</i>	<i>Uncovered</i>
<i>Pork</i>	<i>Med</i>	<i>Moist</i>	<i>Covered</i>
<i>Potatoes, baked</i>	<i>High</i>	<i>Crisp</i>	<i>Uncovered</i>
<i>Potatoes, hash browns</i>	<i>High</i>	<i>Crisp</i>	<i>Uncovered</i>
<i>Potatoes, mashed</i>	<i>Med</i>	<i>Moist</i>	<i>Covered</i>
<i>Poultry</i>	<i>High</i>	<i>Moist</i>	<i>Uncovered</i>
<i>Vegetables</i>	<i>Med</i>	<i>Moist</i>	<i>Covered</i>

**USDA/FSIS recommends an internal temperature of 145° F as the minimum doneness for beef. Use a portable meat thermometer to check internal temperatures.

HOW TO OBTAIN SERVICE:

Before you call for service:

- 1) Is the circuit breaker tripped or the fuse blown?
- 2) Is there a power outage in the area?

For warranty service, please contact your local service provider or DCS Customer Service Representative at (888) 281-5698, Monday thru Friday, 6 am – 4:30 pm PST. Before you call, please have the following information ready:

- Model Number
- Serial Number
- Date of installation
- A brief description of the problem

Your satisfaction is of the utmost importance to us. If a problem cannot be resolved to your satisfaction, please write or email us at:

Write:

DCS

Attention: Customer Service

5800 Skylab Road

Huntington Beach, CA 92647

email: support@dcsappliances.com

WARRANTY

LENGTH OF WARRANTY

One (1) Year Full parts and Labor Covers the entire product

DCS WILL PAY FOR

All repair labor and parts found to be defective due to materials or workmanship for one full year **"IN HOME"** warranty during the first year of ownership. This does not apply if the unit was subjected to other than normal household use. Service must be provided by Authorized Factory Agent during normal working hours. No charges will be made for repair or replacement at the location of initial installation or factory for parts returned pre-paid, through the dealer and claimed within the warranty period, and found by DCS to be defective.

Replacement will be F.O.B. DCS, and DCS will not be liable for any transportation costs, labor costs, or export duties. This warranty shall not apply, nor can we assume responsibility for damage that might result from failure to follow manufactures instructions or local codes, where the appliance has been tampered with or altered in any way or which, in our judgement, has been subjected to misuse, negligence, or accident. Implied warranty shall not extend beyond the duration of this written warranty. This warranty is in lieu of all warranties expressed or implied and all other obligations or liability in connection with the sale of this appliance.

DCS Will Not Pay For

- Installation or start-up.
- Shipping damage.
- Service by an unauthorized agency.
- Damage or repairs due to service by an unauthorized agency or the use of unauthorized parts.
- Service during other than normal working hours.
- Improper installation, such as improper hook-up, etc.
- Service visits to teach you how to use the appliance; correct the installation; reset circuit breakers or replace home fuses.
- Cleaning of filters and outer panels.
- Repairs due to other than normal household use.
- Damage caused from accident, abuse, alteration, misuse, incorrect installation or installation not in accordance with local codes.
- Units installed in non-residential application such as day care centers, bed and breakfast centers, churches, nursing homes, restaurants, hotels, schools, etc.
- Cosmetic damage past the first 90 days.

This warranty applies to appliances used in residential applications; it does not cover their use in commercial situations. This warranty is for products purchased and retained in the 50 states of the U.S.A., the District of Columbia and Canada. This warranty applies even if you should move during the warranty period. Should the appliance be sold by the original purchaser during the warranty period, the new owner continues to be protected until the expiration date of the original purchaser's warranty period. This warranty gives you specific legal rights. You may also have other rights which vary from state to state.



PERFECT HEAT.

CHAUFFE-PLATS PROFESSIONNEL

Manuel d'utilisation et d'entretien



Modèles:

WDS-27

WDS-30

WDI



A L'INTENTION DE NOS CLIENTS

Nous vous remercions d'avoir choisi ce chauffe-plats DCS. Nous avons conçu ce Manuel d'utilisation et d'entretien pour expliquer les fonctions uniques de cet appareil. Il contient des informations extrêmement utiles sur la façon correcte de faire fonctionner votre nouveau chauffe-plats et d'en faire l'entretien. Vous pourrez ainsi en profiter pendant des années en toute sécurité.

Aidez-nous à mieux vous servir en remplissant la Carte d'enregistrement du propriétaire et en nous la soumettant depuis notre site Web à www.dcsappliances.com. Sélectionnez « Service à la clientèle » sur la page d'accueil puis « Enregistrement du propriétaire ». Vous pouvez également nous soumettre par courrier à l'adresse ci-dessous la Carte d'enregistrement du propriétaire ci-jointe. Gardez ce manuel à portée de main afin de trouver rapidement réponse à vos questions durant l'utilisation de votre chauffe-plats DCS.

Si vous avez des questions au sujet de notre produit, communiquez avec un représentant du service à la clientèle DCS par téléphone : 1-888-281-5698, , ou par email : support@dcsappliances.com ou par courrier :

DCS
Attention : Customer Service
5800 Skylab Road,
Huntington Beach, CA 92647
www.dcsappliances.com



AVERTISSEMENT

Le chauffe-plats n'est pas conçu pour être utilisé avec de l'eau. NE remplissez PAS le tiroir ou le logement du chauffe-plats avec de l'eau. Cela pourrait créer un risque de choc et causer des blessures.



AVERTISSEMENT

POUR RÉDUIRE LES RISQUES DE BLESSURES EN CAS DE FEU DE GRAISSE SUR LE CHAUFFE-PLATS, RESPECTEZ LES CONSIGNES SUIVANTES : ÉTOUFFEZ LES FLAMMES à l'aide d'un couvercle hermétique, d'une plaque à biscuits ou d'un plateau métallique, puis éteignez le chauffe-plats. ÉVITEZ DE VOUS BRÛLER. Si les flammes ne s'éteignent pas immédiatement, ÉVACUEZ LES LIEUX ET APPELEZ LES POMPIERS. NE SOULEVEZ JAMAIS UN RÉCIPIENT EN FEU - Vous pourriez vous brûler. N'UTILISEZ PAS D'EAU, y compris des serviettes mouillées - une explosion de vapeur violente pourrait en résulter. Utilisez un extincteur SEULEMENT si :

- 1. Vous êtes sûr qu'il s'agit d'un extincteur de classe ABC et savez comment le faire fonctionner.*
- 2. Le feu est limité et restreint à la zone où il s'est déclenché.*
- 3. Le service des pompiers a été appelé.*
- 4. Vous pouvez combattre l'incendie le dos tourné vers une sortie.*



AVERTISSEMENT

NE VERSEZ PAS d'eau sur les feux de graisse. Éteignez le chauffe-plats, puis étouffez le feu avec du bicarbonate de soude ou à l'aide d'un extincteur à poudre ou à mousse.

VEUILLEZ CONSERVER CE MANUEL À TITRE DE RÉFÉRENCE.

TABLE DES MATIÈRES

MESURES DE SECURITE ET DE PRECAUTION	3-4
INSTRUCTIONS D'ENTRETIEN ET D'UTILISATION	5-8
Guide opérationnel.....	5
Nettoyage du chauffe-plats.....	6
Retrait du chauffe-plats.....	7
Remplacement du tiroir.....	8
REGLAGES DE TEMPERATURE	9
GARANTIE	10
SERVICE	11

MESURES DE SÉCURITÉ ET DE PRÉCAUTION

VEUILLEZ LIRE ET BIEN ASSIMILER CES CONSIGNES

- Veuillez lire attentivement ce manuel d'utilisation et d'entretien avant d'utiliser votre nouvel appareil. Ceci vous permettra de réduire les risques d'incendie, de chocs électriques ou de blessures.
- Retirez tout le matériel d'emballage de l'appareil. Si un technicien n'a pas installé votre appareil, faites-le maintenant.
- Procédez à l'installation conformément aux instructions. Pour assurer une installation et un entretien corrects, respectez les instructions fournies avec l'appareil.
- Confiez la mise à la terre de l'appareil à un technicien qualifié.
- Branchez l'appareil dans une prise de 120 V C.A., 5 A minimum.

INSTRUCTIONS DE PRECHAUFFAGE

Le chauffe-plats est conçu pour garder les aliments cuits à une température chaude pendant de longues périodes. Il doit être préchauffé avant toute utilisation (voir tableau en page 5 du Guide opérationnel). Il doit être préchauffé pendant une demi-heure au moins à température maximum. Si le chauffe-plats n'est pas préchauffé, la température interne des aliments chauffés pourrait baisser à un niveau dangereux propice au développement des bactéries. Préchauffez toujours le chauffe-plats selon les instructions de la section du manuel qui traite de l'utilisation de l'appareil.

- Les enfants ne doivent pas être laissés seuls ou sans surveillance dans un endroit où l'on utilise ce type d'appareil. Il ne faut jamais les laisser tourner ou enfoncer des boutons, ni s'asseoir ou se tenir debout sur l'appareil.
- Des enfants en marchette ou à quatre pattes peuvent être attirés par la poignée ronde de la porte et la saisir pour ouvrir le chauffe-plats. Ils pourraient alors se blesser ou être brûlés sérieusement si l'appareil est en fonctionnement et qu'il est chaud.



AVERTISSEMENT

Évitez de ranger des articles pouvant attirer les enfants dans l'appareil, au-dessus ou à proximité. Les enfants pourraient être blessés sérieusement s'ils grimpent sur l'appareil pour atteindre ces articles.

Utilisez seulement des gants isolants secs: *Les gants humides sur des surfaces chaudes peuvent provoquer des brûlures causées par la vapeur. N'utilisez pas de serviette ou de chiffon épais à la place de gants isolants.*

- Ne rangez jamais rien dans le chauffe-plats. Des matériaux inflammables pourraient prendre feu, des éléments en plastique pourraient fondre ou s'enflammer et d'autres types d'objets pourraient être détruits.
- Ne suspendez aucun article sur l'appareil et ne placez aucun objet contre lui. Certains matériaux sont extrêmement inflammables et pourraient prendre feu.
- Pour des raisons de sécurité et pour ne pas endommager l'appareil, évitez de vous asseoir, de vous tenir debout ou de vous appuyer contre la porte du chauffe-plats.
- Pour assurer votre propre sécurité, habillez-vous de façon appropriée. Ne portez jamais de vêtements ou de manches lâches lorsque vous utilisez l'appareil. Certains tissus synthétiques sont extrêmement inflammables et ne doivent pas être portés pendant l'utilisation de l'appareil.
- Ne recouvrez aucune partie du chauffe-plats avec du papier aluminium. L'utilisation de papier aluminium peut créer un risque d'incendie ou empêcher la circulation de la chaleur et de l'air de ventilation. C'est un excellent isolant thermique qui peut emprisonner la chaleur. Celle-ci pourrait alors affecter la performance des pièces du chauffe-plats.

MESURES DE SÉCURITÉ ET DE PRÉCAUTION

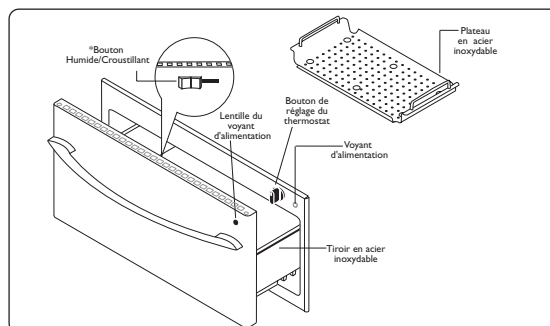
AVERTISSEMENT

Cet appareil est conçu pour réchauffer les aliments. Pour des raisons de sécurité, n'utilisez jamais le chauffe-plats pour chauffer une pièce.

- Comme pour tout appareil de cuisson ou de chauffage, ne laissez jamais le chauffe-plats sans surveillance quand vous réchauffez de la nourriture, car il y a risque d'incendie.
- Seuls certains types d'ustensiles en verre, vitrocéramique calorifugée, céramique, poterie ou émaillés sont appropriés pour être utilisés dans ce chauffe-plats. Les ustensiles non thermorésistants peuvent se briser à la suite de changements de température soudains.
- Ne chauffez pas de récipients hermétiques car ils pourraient exploser suite à une accumulation de pression.
- Circuit de 120 V c.a., 5 A minimum requis.
- La graisse est inflammable. Évitez donc de laisser des dépôts de graisse s'accumuler dans le chauffe-plats et nettoyez tout déversement.
- NE VERSEZ PAS d'eau sur les feux de graisse. Éteignez le chauffe-plats, puis étouffez le feu avec du bicarbonate de soude ou à l'aide d'un extincteur à poudre ou à mousse.
- Si vous ouvrez le tiroir et qu'il contient des sauces chaudes, de la sauce tomate, etc., ouvrez-le lentement pour éviter tout déversement.
- Faites attention quand vous ouvrez un chauffe-plats chaud; pour éviter tout risque de brûlures graves, ouvrez-le lentement en laissant s'échapper l'air chaud ou la vapeur avant de retirer ou d'introduire des aliments.
- Ne réparez pas ni ne remplacez aucune pièce de cet appareil, sauf indication contraire du manuel. Tout autre travail d'entretien doit être confié à un technicien qualifié. Celui-ci doit débrancher le bloc d'alimentation avant de travailler sur l'appareil.
- Durant l'utilisation du chauffe-plats : afin d'éviter de vous brûler, NE TOUCHEZ PAS LES SURFACES INTÉRIEURES ni la surface extérieure autour de la porte tant qu'elles n'ont pas refroidi.
- Nettoyez le chauffe-plats avec précaution. Évitez de vous brûler à la vapeur : n'utilisez pas d'éponge ou de chiffon mouillé pour nettoyer l'appareil alors qu'il est encore chaud. Certains produits de nettoyage produisent des vapeurs nocives s'ils sont appliqués à une surface chaude. Suivez le mode d'emploi fourni par le fabricant du produit de nettoyage.
- Assurez-vous que les boutons de l'appareil sont fermés et que celui-ci est froid avant d'utiliser des nettoyants aérosol à proximité. L'élément chimique qui produit le jet de vaporisation peut, en présence de chaleur, s'enflammer ou provoquer la corrosion des parties métalliques.
- Ne touchez par l'élément chauffant ni les surfaces intérieures du chauffe-plats. Même si leur couleur semble sombre, ils peuvent encore être assez chauds pour causer des brûlures. Laissez-leur le temps de refroidir.
- Ne mettez pas de matériaux inflammables pouvant s'enflammer en contact avec l'élément chauffant ou la surface intérieure du chauffe-plats tant que l'appareil n'a pas refroidi.

CARACTÉRISTIQUES DU CHAUFFE-PLATS

* La fonction Humide/Croustillant n'est pas disponible sur le modèle complètement intégré (WDI).



ENTRETIEN ET UTILISATION

REGLAGES DE TEMPERATURE

Le chauffe-plats est conçu pour garder les aliments cuits à une température chaude sécuritaire, pendant de longues périodes, à condition d'être utilisé correctement. Il n'est pas conçu pour cuire ou réchauffer les aliments. Le chauffe-plats doit être préchauffé tel qu'indiqué au tableau ci-dessous avant d'y placer des aliments à réchauffer. Les aliments peuvent être gardés dans le chauffe-plats jusqu'à deux heures. S'il n'est pas préchauffé, la température des aliments pourrait baisser à un niveau dangereux propice au développement des bactéries. Le bouton au coin supérieur droit de l'appareil permet de l'allumer et de l'éteindre et de régler le niveau de température. Tournez le bouton à droite, de la position éteint à la position basse température, pour maintenir une température d'environ 38 °C (100 °F). Tournez le bouton à droite, en position de température élevée, pour maintenir le chauffe-plats à environ 110 °C (230 °F).

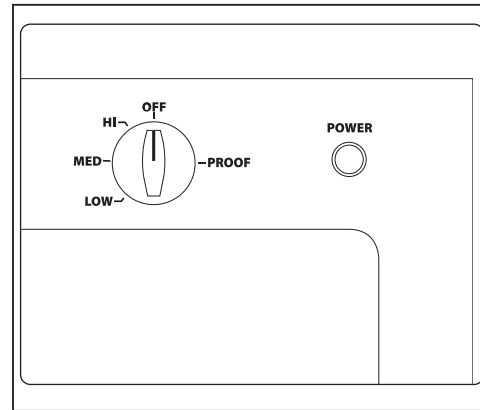


Fig. 07

UTILISATION : Tournez le bouton thermostatique pour choisir un réglage de température;

High (Haut) Medium (Moyen) Low (Bas) Proofing (Apprêt)

- Si vous comptez utiliser le plateau, préchauffez-le tout en préchauffant le chauffe-plats.
- Préchauffez tous les plats vides devant être utilisés, tout en préchauffant le chauffe-plats.
- Ajoutez les aliments cuits dans leurs récipients de cuisson ou des récipients thermorésistants.
- Vous pouvez couvrir les récipients avec du papier d'aluminium.

MISE EN GARDE

N'utilisez pas de récipients en plastique ni de film de plastique. Ceux-ci peuvent fondre au contact du chauffe-plats ou d'un ustensile chaud et, dans ce cas, peuvent adhérer au chauffe-plats au point de ne pouvoir être enlevés. Utilisez uniquement des plats thermorésistants.

SÉLECTEUR DE TEMPÉRATURE :

Plage de températures :

Apprêt (Proof).....Ne pas préchauffer	90 ° -110 °
Bas (Low).....Préchauffer 10 min.	140 °-170 °
Moyen (Medium)Préchauffer 15 min.	170 °-200 °
Haut (High).....Préchauffer 20 min.	200 °-230 °

- Préchauffez toujours sur high (haut), puis tournez le bouton vers le réglage voulu.
- Pour conserver la chaleur de plusieurs aliments mis ensemble, réglez la température en fonction de celui qui exige la température la plus élevée. Placez les aliments nécessitant le réglage le plus élevé au fond du chauffe-plats et la nourriture exigeant le moins de chaleur sur le plateau.

ENTRETIEN ET UTILISATION

APPRET LA PATE

Placez la pâte dans un roulé à la gelée, une plaque à pâtisserie ou un bol huilé, pas plus haut que 12,7 cm (5 po). Retournez la pâte pour bien la huiler et recouvrez-la d'un linge humide propre. Placez-la au centre du chauffe-plats et mettez le bouton de réglage sur low (bas), puis immédiatement sur proof (apprêt). Vérifiez après 45 minutes ou une heure. La pâte devrait avoir doublé de taille. Mettez la pâte en forme, placez-la dans un moule et mettez celui-ci dans le chauffe-plats pour la seconde fermentation, pendant environ 30 à 45 minutes; augmentez la durée au besoin.

NETTOYAGE DU CHAUFFE-PLATS

- Faites attention quand vous nettoyez cet appareil, en particulier le boîtier du tiroir et l'arrière de la face du tiroir. Toutes les parties de l'appareil peuvent être nettoyées avec linge humide savonneux chaud, puis rincées, séchées et bien polies à l'aide d'un tissu à poils épais. Essayez cela en premier, c'est la façon la plus douce de le nettoyer.
 - Assurez-vous que le chauffe-plats est éteint et froid avant d'utiliser un nettoyant aérosol quelconque. L'élément chimique qui produit le jet de vaporisation peut, en présence de chaleur, s'enflammer ou provoquer la corrosion des parties métalliques.
 - Employez la méthode de nettoyage la plus douce d'abord. Certains produits de nettoyage sont plus durs que d'autres. Lisez leur mode d'emploi. Faites un essai sur une petite surface au préalable.
 - Pour ne pas gâcher la surface, frottez toujours la finition dans le sens du polissage, ce qui donne plus d'efficacité au nettoyant.
 - Pour nettoyer ou récurer, utilisez uniquement des éponges propres, des tissus doux, des essuie-tout, des tampons à récurer savonneux en plastique ou non-métalliques. (Attention : certains tampons à récurer peuvent égratigner la surface).
 - Rincez soigneusement et séchez en essuyant pour éviter de laisser des marques d'eau.
 - Retirez les particules alimentaires après chaque utilisation.
- 1) **Tiroir** : Nettoyez le chauffe-plats à l'aide d'une éponge ou d'un linge humide savonneux tiède.
 - 2) **Devant du tiroir** : Polissez au moyen d'un nettoyant pour acier inoxydable dans le sens du grain.
 - 3) **Joint** : Nettoyez à l'aide d'une éponge humide savonneuse tiède.
 - 4) **Boutons** : Vous pouvez retirer le bouton de température pour le nettoyer (Fig. 07). Toutefois, le bouton moist/crisp (humide/croustillant) ne doit jamais être retiré. En effet, il deviendra facile à décoller et de jeunes enfants pourraient s'étouffer avec. S'il se décolle, utilisez de la colle DCS (référence 14178) pour le fixer de nouveau.
 - 5) **Lumière** : Nettoyez à l'aide d'un chiffon ou d'une éponge humide.
 - 6) **Cavité du tiroir** : Même chose que pour le tiroir ci-dessus.
 - 7) **Élément chauffant** : Faites attention lorsque vous nettoyez l'élément chauffant : ne le faites qu'une fois l'appareil refroidi. Utilisez de l'eau tiède savonneuse sur un chiffon humide.
 - 8) **Plateau en acier inoxydable** : Peut être retiré et nettoyé avec de l'eau savonneuse chaude dans l'évier.

ENTRETIEN ET UTILISATION

RETRAIT DU CHAUFFE-PLATS

Assurez-vous que le chauffe-plats est froid et qu'aucun aliment ni plateau ne se trouve à l'intérieur. N'essayez jamais de retirer le tiroir lorsque l'appareil est allumé ou chaud.

- 1) Pour retirer le tiroir, retirez d'abord les plats, plateaux, etc. du tiroir.
- 2) Ouvrez le tiroir complètement jusqu'à ce qu'il s'arrête.
- 3) Soulevez la poignée tout en appuyant sur la pointe de verrouillage en plastique des deux côtés et tirez le tiroir vers vous. Le tiroir glisse sur les supports latéraux. Soulevez-le pour le retirer (voir fig. 9 et 10).
- 4) Une gâche se trouve à la partie arrière centre du tiroir (voir fig. 11). Le loquet qui se trouve à l'intérieur du chauffe-plats permet de saisir et retenir la gâche pour garder la porte bien fermée.



Fig. 08



Fig. 09



Fig. 10



Fig. 11

ENTRETIEN ET UTILISATION

REPLACEMENT DU TIROIR

AVERTISSEMENT

Lorsque le tiroir est retiré, l'élément chauffant est exposé (voir figure 12). N'allumez jamais l'appareil en l'absence du tiroir. Ne laissez jamais les enfants jouer à proximité du chauffe-plats ou le toucher lorsqu'il n'est pas installé de façon sécuritaire. Pour éviter tout risque d'accident, repoussez les glissières dans le boîtier lorsque le tiroir a été retiré.

- 1) Pour remettre le tiroir à sa place, étirez les glissières au maximum (figure 13), faites passer le tiroir par dessus les glissières et abaissez la partie arrière du support latéral sur les glissières (voir figures 14 et 15).
- 2) Abaissez la partie avant du tiroir, puis faites glisser l'ensemble vers l'arrière jusqu'à agripper les tiges antibasculement arrière; agrippez ensuite les pointes de verrouillage en plastique avant. (Voir figures 15 à 17.)

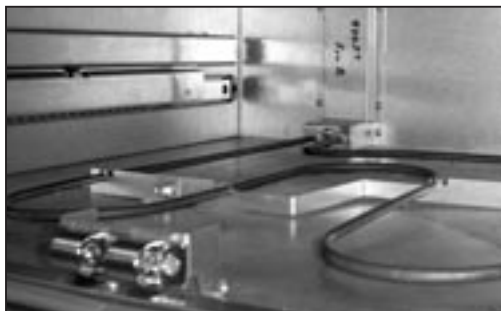


Fig. 12

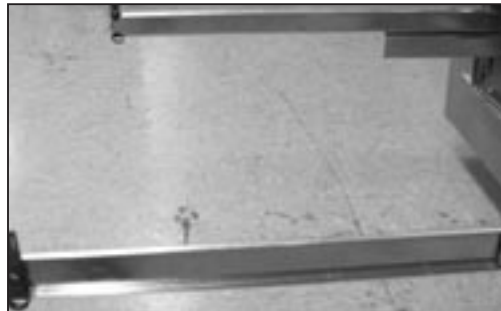


Fig. 13



Fig. 14



Fig. 15



Fig. 16



Fig. 17

RÉGLAGES DE TEMPÉRATURE

TEMPÉRATURES SUGGERÉES POUR GARDER LES ALIMENTS CHAUDS

<i>ALIMENTS</i>	<i>TEMPÉRATURE</i>	<i>GLISSEZ LE BOUTON DE POSITION</i>	<i>RECOUVERT/ DECOUVERT</i>
<i>Bœuf**</i>			
<i>Saignant</i>	<i>Bas</i>	<i>Humide</i>	<i>Recouvert</i>
<i>Demi-saignant</i>	<i>Moyen</i>	<i>Humide</i>	<i>Recouvert</i>
<i>À point</i>	<i>Moyen</i>	<i>Humide</i>	<i>Recouvert</i>
<i>Bacon</i>	<i>Haut</i>	<i>Croustillant</i>	<i>Découvert</i>
<i>Pâte à pain</i>	<i>Apprêt</i>	<i>Humide</i>	<i>Recouvert</i>
<i>Casseroles</i>	<i>Moyen</i>	<i>Humide</i>	<i>Recouvert</i>
<i>Croustilles</i>	<i>Haut</i>	<i>Croustillant</i>	<i>Découvert</i>
<i>Céréales cuites</i>	<i>Moyen</i>	<i>Humide</i>	<i>Recouvert</i>
<i>Œufs</i>	<i>Moyen</i>	<i>Humide</i>	<i>Recouvert</i>
<i>Poisson, fruits de mer</i>	<i>Moyen</i>	<i>Humide</i>	<i>Recouvert</i>
<i>Aliments frits (tous)</i>	<i>Haut</i>	<i>Croustillant</i>	<i>Découvert</i>
<i>Fruit</i>	<i>Moyen</i>	<i>Humide</i>	<i>Recouvert</i>
<i>Pain à l'ail, petits pains</i>	<i>Bas</i>	<i>Humide</i>	<i>Recouvert</i>
<i>Sauce d'arrosage, sauces à la crème</i>	<i>Moyen</i>	<i>Humide</i>	<i>Découvert</i>
<i>Jambon</i>	<i>Moyen</i>	<i>Humide</i>	<i>Recouvert</i>
<i>Agneau</i>	<i>Moyen</i>	<i>Humide</i>	<i>Recouvert</i>
<i>Pain de viande</i>	<i>Moyen</i>	<i>Humide</i>	<i>Recouvert</i>
<i>Crêpes, gaufres</i>	<i>Haut</i>	<i>Humide</i>	<i>Découvert</i>
<i>Tartes, une croûte</i>	<i>Moyen</i>	<i>Humide</i>	<i>Découvert</i>
<i>Tartes, deux croûtes</i>	<i>Moyen</i>	<i>Croustillant</i>	<i>Découvert</i>
<i>Pizza</i>	<i>Haut</i>	<i>Croustillant</i>	<i>Découvert</i>
<i>Porc</i>	<i>Moyen</i>	<i>Humide</i>	<i>Recouvert</i>
<i>Pommes de terre, au four</i>	<i>Haut</i>	<i>Croustillant</i>	<i>Découvert</i>
<i>Pommes de terre, pommes de terre rissolées</i>	<i>Haut</i>	<i>Croustillant</i>	<i>Découvert</i>
<i>Pommes de terre, purée</i>	<i>Moyen</i>	<i>Humide</i>	<i>Découvert</i>
<i>Volaille</i>	<i>Haut</i>	<i>Humide</i>	<i>Découvert</i>
<i>Légumes</i>	<i>Moyen</i>	<i>Humide</i>	<i>Recouvert</i>

**L'USDA/FSIS recommande comme degré de cuisson minimum pour du bœuf une température interne de 1450F. Utilisez un thermomètre à viande portable pour vérifier la température interne.

SERVICE

POUR L'OBTENTION DE SERVICE :

Avant d'appeler le service technique :

- 1) Est-ce que le disjoncteur s'est déclenché ou que le fusible est grillé?
- 2) Y a-t-il une coupure de courant dans le secteur?

Pour le service sous garantie, veuillez contacter votre distributeur ou contactez le centre DCS agréé le plus proche au (888) 281-5698, du lundi au vendredi, de 6 h à 16 h 30, heure normale du Pacifique.

Avant d'appeler, veuillez avoir les informations suivantes à portée de main :

- Numéro de modèle
- Numéro de série
- Date d'installation
- Brève description du problème

Votre satisfaction revêt la plus haute importance pour nous. Si un problème n'est pas résolu à votre entière satisfaction, veuillez communiquer avec nous :

Écrivez-nous à l'adresse suivante :

DCS
Attention : Customer Service
5800 Skylab Road
Huntington Beach, CA 92647

ou email : support@dcsappliances.com

DUREE DE LA GARANTIE

Un (1) an, pièces et main-d'œuvre sur tout le produit

DCS COUVRE LES FRAIS SUIVANTS

Frais de main-d'œuvre et de réparation de pièces jugées défectueuses pour cause de vice de matière ou de fabrication, et ce pendant une année complète avec garantie « **À DOMICILE** » pendant la première année d'achat. Cette garantie ne s'applique pas si l'appareil a été soumis à une utilisation autre qu'une utilisation domestique normale. Le service doit être fourni par un agent agréé de l'usine durant les heures ouvrables normales. Il n'y aura pas de frais facturés pour les réparations ou remplacements effectués sur le site de l'installation initiale ou en usine pour des pièces renvoyées port payé, par l'intermédiaire du distributeur, pendant la période de garantie, et jugées défectueuses par DCS.

Les remplacements sont effectués franco à bord DCS et DCS n'est pas responsable des frais de transport, de main-d'œuvre ou des tarifs douaniers s'appliquant à l'exportation. Cette garantie ne saurait s'appliquer, et nous n'assumons aucune responsabilité pour les dommages pouvant résulter du fait de ne pas avoir respecté les consignes du fabricant ou des codes en vigueur, ou d'avoir trafiqué ou altéré l'appareil de quelque façon, ou d'avoir, selon nous, soumis l'appareil à une mauvaise utilisation, à de la négligence ou à un accident. Toute garantie implicite ne pourra s'étendre au-delà de la durée de cette garantie écrite. Cette garantie remplace toutes les autres garanties, explicites ou implicites, ainsi que toutes les autres obligations ou responsabilités relatives à la vente de cet appareil.

DCS NE COUVRE PAS LES FRAIS SUIVANTS

- Installation ou démarrage.
- Dommages subis durant le transport.
- Service effectué par un centre non agréé.
- Dommages ou réparations causés par un service effectué par un centre non agréé ou par l'utilisation de pièces non autorisées.
- Service effectué en dehors des heures ouvrables normales.
- Mauvaise installation, telle qu'un branchement incorrect, etc.
- Visites de service pour vous apprendre comment utiliser l'appareil, corriger l'installation, réarmer les disjoncteurs ou remplacer les fusibles de la maison.
- Nettoyage des filtres et panneaux extérieurs.
- Réparations dues à une utilisation autre qu'une utilisation domestique normale.
- Dommages causés par accident, abus, altération, mauvaise utilisation, installation incorrecte ou installation non conforme aux codes en vigueur.
- Appareils installés dans le cadre d'applications non résidentielles telles que garderies, auberges, lieux de culte, maisons de soin, restaurants, hôtels, écoles, etc.
- Dommages superficiels au-delà des premiers 90 jours.

Cette garantie s'applique aux appareils utilisés dans des applications résidentielles. Elle ne couvre pas les utilisations commerciales. Cette garantie couvre les produits achetés et utilisés dans les 50 états des États-Unis, le District de Columbia et au Canada. La garantie s'applique même si vous déménagez durant la période de garantie. Si l'appareil est vendu par l'acheteur initial durant la période de garantie, le nouveau propriétaire continue de bénéficier de la protection jusqu'à la date d'expiration de la période de garantie de l'acheteur initial. Cette garantie vous donne des droits juridiques spécifiques. Il se peut que vous ayez d'autres droits pouvant varier d'une juridiction à l'autre.



PERFECT HEAT.

5800 Skylab Road, Huntington Beach, CA 92647
Tel: 714.372.7000 • Fax: 714.372.7001
Customer Service (888) 281-5698
www.dcsappliances.com

As product improvement is an ongoing process at DCS, we reserve the right to change specifications or design without notice.

DCS améliore constamment ses produits et se réserve le droit de modifier les spécifications ou la conception de ses produits sans aucun préavis.

P/N 17655 Rev. A
Litho in USA 3/2004