



Installation Instructions

Warming Drawer

Models: EWD24, EWD27, EWD30, EWD36,
IWD24, IWD27, IWD30, MWDV27,
MWDH27, MWDV30, MWDH30,
MRWD27, MRWD30, PWD27, PWD30

All specifications are subject to change without notice. Dacor® assumes no liability for changes to specifications.

Table of Contents

Before You Begin...	1	Installation Instructions	7
Important Safety Instructions	1	Remove the Drawer	7
General Safety Precautions	2	Installing the Chassis	7
Installation Specifications	3	Re-installing the Drawer	8
Verifying the Package Contents	3	Verifying the Warming Drawer Operation	8
Installation Planning	3	Installation Checklist	8
Install a Support Platform in the Cabinet	6		
Electrical Power Supply Requirements	6		

Before You Begin...

Important:

- **Installer:** In the interest of safety and to minimize problems, read these installation instructions completely and carefully before you begin the installation process. Leave these installation instructions with the customer.
- **Customer:** Keep these installation instructions for future reference and the local electrical inspector's use.
- If you have questions or problems with installation, contact your Dacor dealer or the Dacor Customer Service Team.

Dacor Customer Service Team




Phone: (800) 793-0093.
E-mail: customerservice@Dacor.com
Web site: www.Dacor.com

Important Safety Instructions

Important Information About Safety Instructions

- The **Important Safety Instructions** and warnings in these instructions are not meant to cover all possible problems and conditions that can occur. Use common sense and caution when installing, maintaining or operating this or any other appliance.
- Always contact the Dacor Customer Service Team about problems and conditions that you don't understand.

Safety Symbols and Labels

 DANGER
Immediate hazards that WILL result in severe personal injury or death.
 WARNING
Hazards or unsafe practices that COULD result in severe personal injury or death.
 CAUTION
Hazards or unsafe practices that COULD result in minor personal injury or property damage.

Important Safety Instructions

General Safety Precautions

To reduce risk of fire, electric shock, serious injury or death when using your appliance, follow basic precautions, including the following:

WARNING

- Read this manual completely before using this appliance.
- Use this appliance only for its intended use as described in this manual. Use it only to warm food and heat plates and utensils. It is not designed for commercial, industrial or laboratory use.
- Do not store or install this appliance outdoors, unless otherwise noted in these instructions. Do not use this product near water – for example, near sinks, swimming pools or in a wet basement.
- If you receive a damaged product, immediately contact your dealer or builder. Do not install or operate an appliance that has been damaged or dropped.
- Make sure that the appliance has been properly installed and grounded by a qualified installer according to the accompanying installation instructions. Have the installer show you the location of the electrical outlet so that you know where to disconnect power to the appliance.
- Do not repair or replace any part of the warming drawer unless specifically recommended in the literature accompanying it. All other service should be done by a qualified technician.
- Before performing any type of service, make sure that the power plug is disconnected from the electrical outlet.
- Keep the electrical cord away from heated surfaces.
- **DO NOT TOUCH ANY OF THE SURFACES INSIDE OR OUTSIDE THE WARMING DRAWER DURING OR IMMEDIATELY AFTER USE.** After use, make sure these surfaces have had sufficient time to cool before touching them. Heating elements may be hot, even though they are dark in color.
- To avoid the possibility of fire or burns, do not allow clothing, potholders, towels or rags to come into contact with any part of the warming drawer during and immediately after use. Do not wear loose or hanging apparel while using the appliance.
- To reduce the risk of fire in the warming drawer, do not overcook food. Do not leave it unattended with paper, plastic or other combustible materials inside.
- If materials inside the warming drawer should ignite, keep the drawer closed and shut off the power at the circuit breaker panel or fuse box.

WARNING

- Exercise caution when opening the warming drawer. Let hot air or steam escape before looking or reaching into the warming drawer.
- Use only dry pot holders when removing food and cookware from the warming drawer. Wet pot holders can cause steam burns.
- Do not put items like whole eggs, sealed containers or closed glass jars in the drawer. They may explode when heated, causing injury.
- When the warming drawer is on in continuous mode (∞), it will remain on until turned off manually. Exercise caution when operating the unit in continuous mode.
- Do not place more than 50 pounds in the warming drawer.
- Properly clean and maintain the unit regularly as instructed in the use and care manual. Clean only those parts listed in this manual, in the manner specified. **DO NOT USE ABRASIVE CLEANERS OR SCRUBBERS. THEY WILL PERMANENTLY DAMAGE THE FINISH.**
- Do not use abrasive or caustic cleaners or detergents on this appliance. They may permanently damage the finishes. Do not use aerosol cleaners, because they may be flammable or cause corrosion of metal parts.
- Clean the warming drawer thoroughly before operating it for the first time.
- Make sure the warming drawer is used only by those individuals who are able to operate it properly.
- Do not tamper with the controls.
- Preheat the warming drawer before use.
- Never allow anyone, including children to sit, stand or climb on any part of the appliance, including the drawer. Doing so may cause tipping, damage, serious injury or death.
- Do not leave children alone or unattended in the area around the appliance. Do not allow children to operate it, play with the controls, pull on the handle or touch other parts.
- Do not store items of interest to children above the warming drawer. Children could be burned or injured while climbing on the appliance.

Installation Specifications

Verifying the Package Contents

- Use and Care manual
- Mounting screws

Installation Planning

A qualified technician must complete the installation of this built-in appliance. Proper installation is your responsibility.

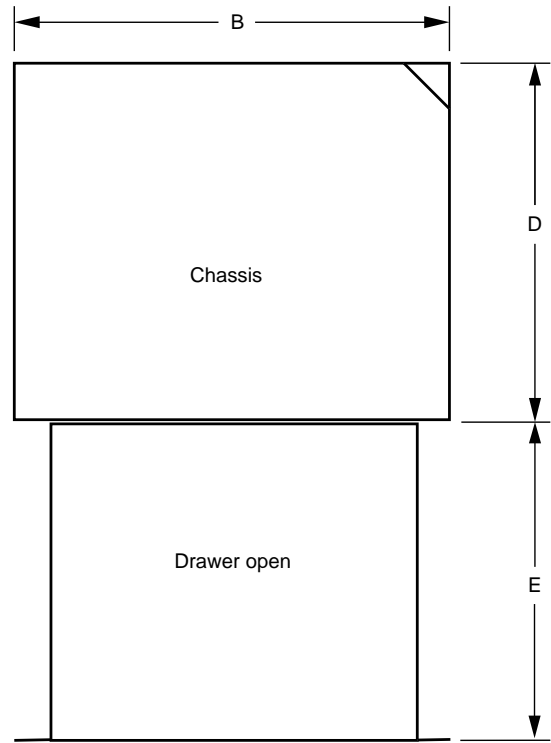
Carefully check the location where the drawer is to be installed. The drawer should be placed for convenient access. Make certain that electrical power can be provided in the selected location.

Plan the installation so that all minimum clearances are met or exceeded. Dimensions shown provide minimum clearances, unless otherwise noted. Be certain that proper clearance is provided for the drawer door when it is in the open position.

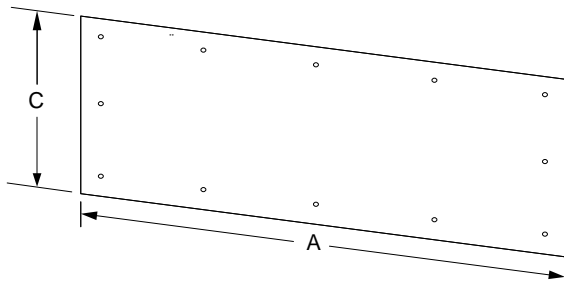
The specified minimum cabinet depth and width must be provided. The cabinet depth and width must completely enclose the recessed portion of the drawer.

Cabinet cutout dimensions must be used as indicated. All contact surfaces between the appliance and the cabinet must be solid and level. The drawer support platform must be flush with the bottom edge of the cabinet cutout.

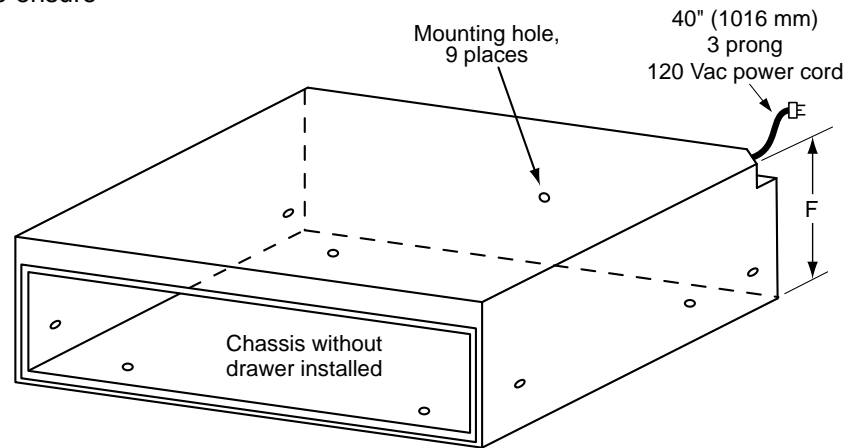
Make certain that you have everything necessary to ensure a proper installation before proceeding.



**Overall Dimensions - IWD Series
Top View**



**Drawer Face Dimensions
(IWD Series Shown)**

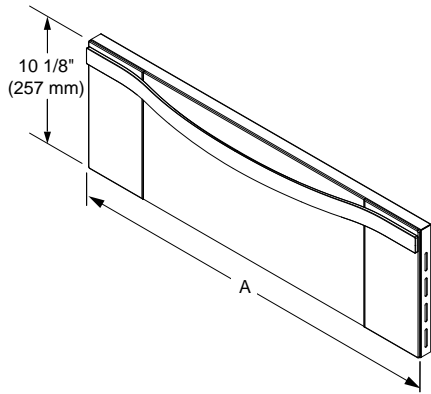


**Chassis Dimensions
(IWD Series Shown)**

Warming Drawer Model No.	Dimension "A" Drawer Face Width	Dimension "B" Chassis Face Width	Dimension "C" Drawer Face Height	Dimension "D" Chassis Depth	Dimension "E" Drawer depth	Dimension "F" Chassis Height
IWD24	22 5/16" (567 mm)	22 1/8" (562 mm)	8 15/16" (227 mm)	23 3/8" (594 mm)	23 13/16" (605 mm)	9" (229 mm)
IWD27	25 5/16" (643 mm)	25 1/8" (638 mm)				
IWD30	28 5/16" (719 mm)	28 1/8" (714 mm)				

See following page for other models

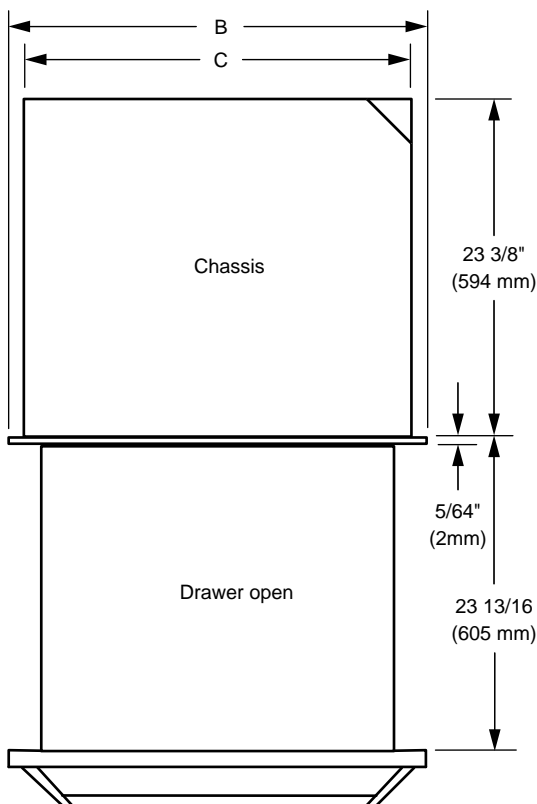
Installation Specifications



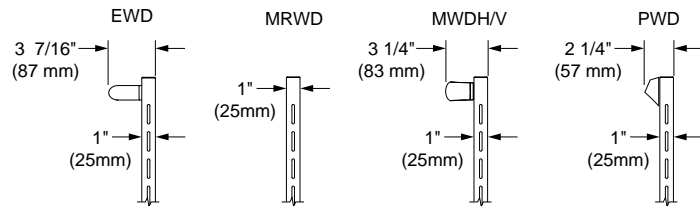
Drawer Face Dimensions
(MW Series Shown)

Model	"A" Drawer Face Width	"B" Chassis Face Width	"C" Chassis Width
EWD24	24" (610 mm)	23 5/8" (600 mm)	22 1/8" (562 mm)
EWD27	27" (686 mm)	26 5/8" (676mm)	25 1/8" (638 mm)
MWDH27			
MWDV27			
MRWD27			
PWD27			
EWD30	30" (762 mm)	29 5/8" (752 mm)	28 1/8" (714 mm)
MWDH30			
MWDV30			
MRWD30			
PWD30			
EWD36	36" (914 mm)	35 5/8" (905mm)	34 1/8" (867 mm)

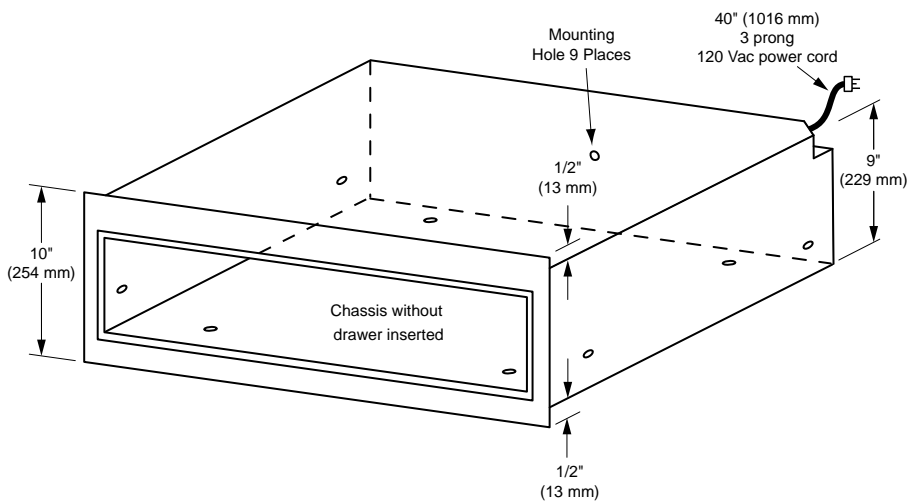
Warming Drawer Overall Dimensions



Overall Dimensions
Top View
(EWD Series Shown)

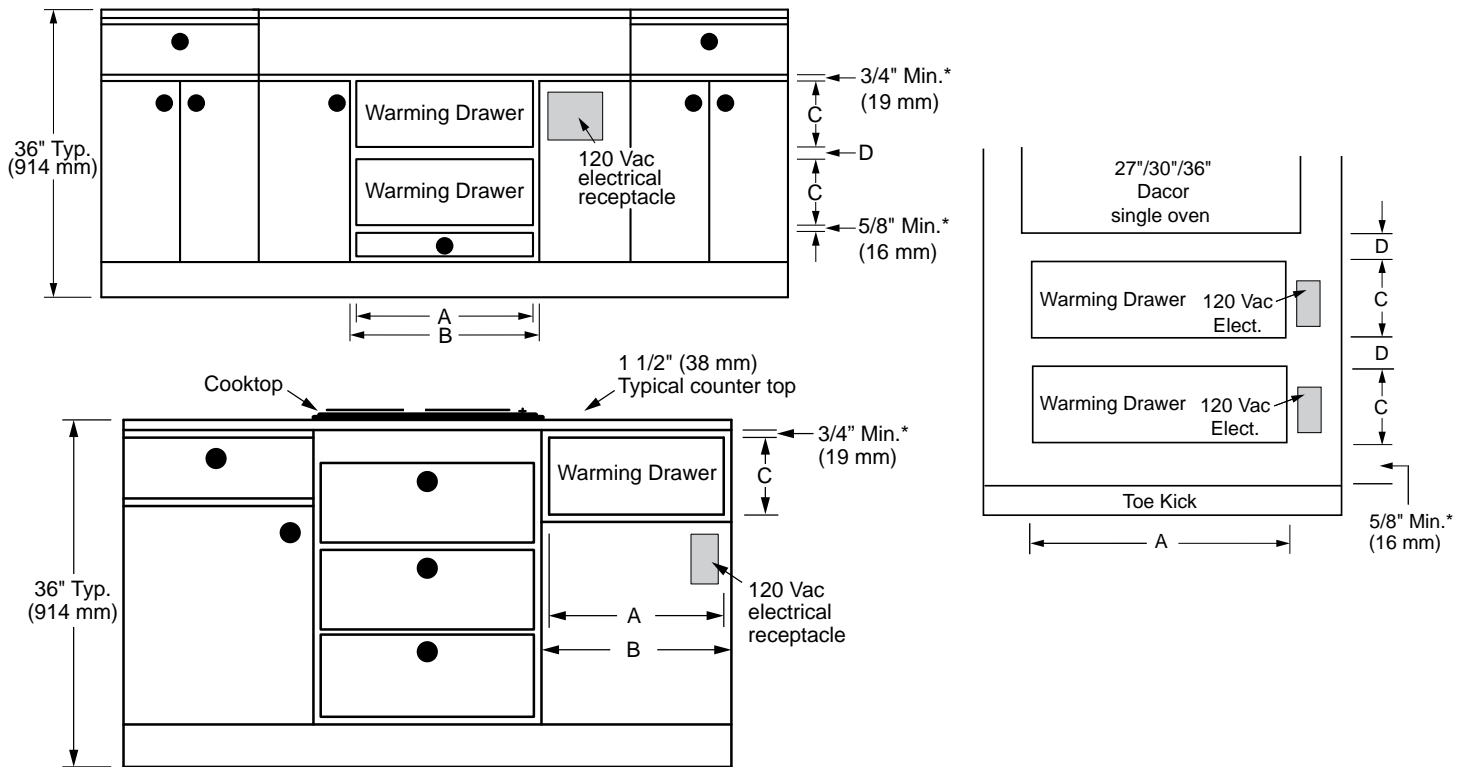


Handle Dimensions



Chassis Dimensions

Installation Specifications



Model	"A" Cutout Width	"B" Min. Width to Adjacent Doors/ Drawers	"C" Cutout Height	"D" Min. Vertical Gap Between Cutouts
IWD24	22 1/4" (565 mm)	24 1/4"* (616 mm)	9 1/8" (232 mm)	1 1/16"* (27 mm)
EWD24				
EWD27	25 1/4" (641 mm)	27 1/4"* (692 mm)		
IWD27				
MWDH27				
MWDV27				
MRWD27				
PWD27				
EWD30	28 1/4" (717 mm)	30 1/4"* (768 mm)		
IWD30				
MWDH30				
MWDV30				
MRWD30				
PWD30				
EWD36	34 1/4" (870 mm)	36 1/4" (921 mm)		

* Bare minimum spacing shown to allow for ventilation and avoid scuffing. On IWD series models, additional space may be required if an oversized drawer front is used. Use the drawer face dimensions for the corresponding EWD series model on page 4 for reference.

Cutouts Dimensions
Cutout Depth: 24" Min. (610 mm)

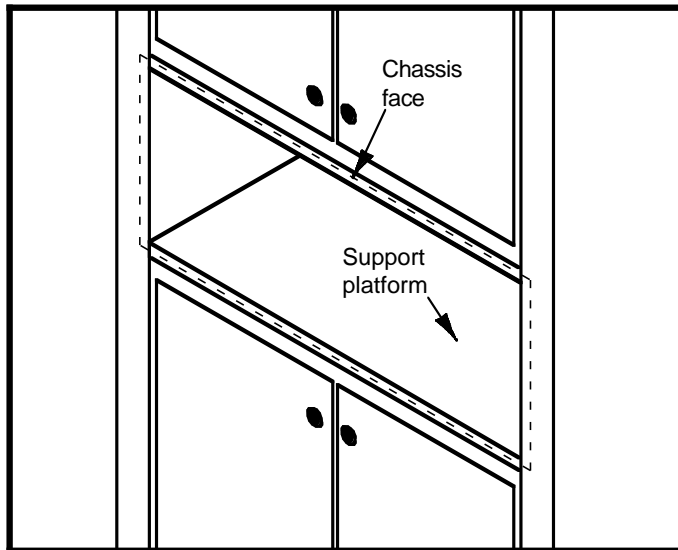
Installation Specifications

Install a Support Platform in the Cabinet

Provide a platform (100 lb. load capacity) within the cabinet upon which the warming drawer will be supported. The platform must be installed level and straight. The top edge of the platform must be flush with the cutout at the front of the cabinet. There are no provisions to level the warming drawer after it has been installed. 3/4" (19 mm) thick plywood is recommended.

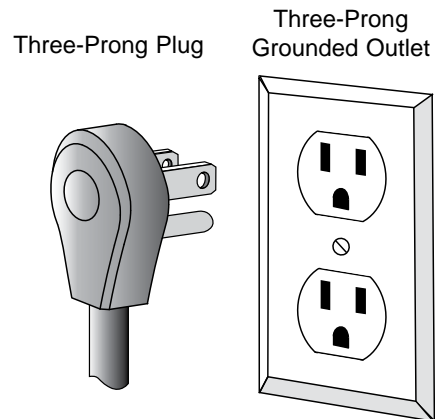
NOTE:

If the drawer is not installed in a level fashion, the drawer may slide open on its own or may not seal tightly, allowing heat to escape and resulting in poor warming drawer performance.



Electrical Power Supply Requirements

- The warming drawer is supplied with a power cord terminated by a three-prong plug. Plug it directly into a dedicated, grounded, three prong, electrical outlet. Do not use an extension cord.



- The correct voltage, frequency and amperage must be supplied to the electrical outlet from a grounded, single phase circuit that is protected by a properly sized circuit breaker or time-delay fuse.
- The required voltage, frequency and amperage ratings are listed on the appliance data plate. The data plate is located inside the chassis drawer opening on the left side. Remove the drawer to expose it.

Nominal Electrical Supply Requirements

120 Vac, 60 Hz, 15 Amp. dedicated circuit

The warming drawer is supplied with a 40" (1016 mm) power cord with a three prong grounded plug.

Total Connected Load 0.5 kW (4 Amp.)

- If the power supply requirements shown above do not agree with those listed on the product data plate, use the requirements on the product data plate.
- It is the owner's responsibility to ensure that the electrical outlet is installed by a qualified electrician. The electrical installation must comply with the latest revision of the National Electric Code ANSI/NFPA 70 and local codes and ordinances.
- If the electrical service provided does not meet the product specification, or does not conform to the NEC or local standards, do not proceed with the installation. Call a licensed electrician to correct the electrical service before proceeding.
- Be certain to locate the electrical outlet in an accessible location, so that the warming drawer may be easily unplugged in the event that service becomes necessary.

Installation Instructions

WARNING

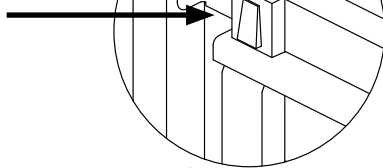
- To avoid personal injury caused by the appliance falling forward when the drawer is opened, secure the chassis to the cabinet and support platform as instructed.
- Be certain that the power plug is disconnected from the electrical outlet before installation.
- Verify that the electrical supply matches the ratings found on the appliance data plate and the installation specifications before proceeding.

Remove the Drawer

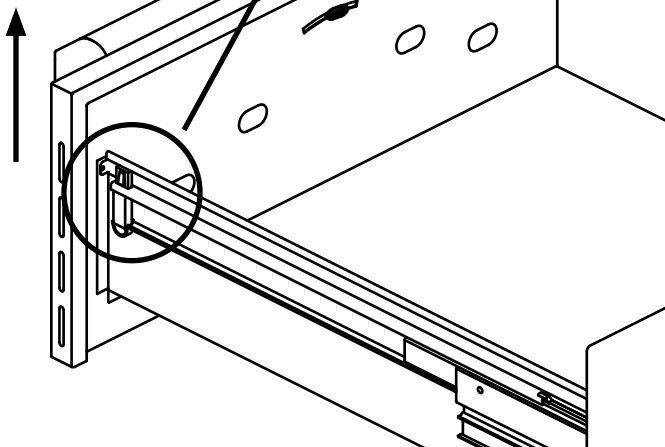
Remove the drawer from the appliance to allow access to the mounting holes during installation, and to reduce weight:

1. Pull the drawer out to the fully open position.
2. Push in on the locking tab on one side as you pull the drawer up.
3. When the drawer comes loose from the slide, repeat the same process on the opposite side.
4. Grip the drawer on both sides and pull it free.
5. For safety, push both drawer slides into the drawer opening.

STEP 2: Push locking tab



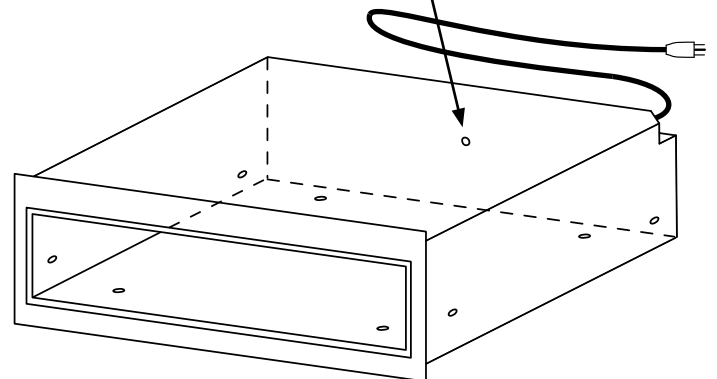
STEP 3: Pull up on front of drawer



Installing the Chassis

1. Grasp the warming drawer chassis on opposite sides and slide it partially into the cabinet opening. Temporarily support the chassis in place so that it will not tilt or fall.
2. From an adjoining cabinet, reach in behind the drawer and pull the power cord until the plug is next to the electrical outlet. Do not plug in the power cord at this time.
3. After positioning the power cord and plug, slide the chassis completely into the cabinet until the front frame is positioned flush against the cabinet face.
4. Use the screws provided to secure the warming drawer chassis to the cabinet and support platform, insert them into the mounting holes and tighten into place. You may want to drill pilot holes prior to installing the mounting screws.

**Mounting Hole,
9 Places**



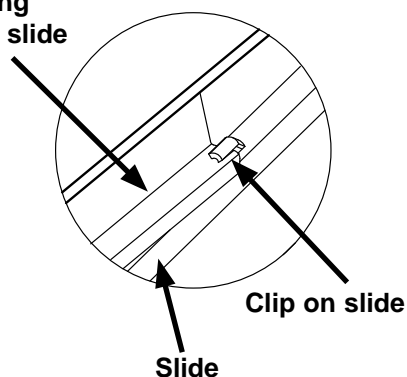
Continued...

Installation Instructions

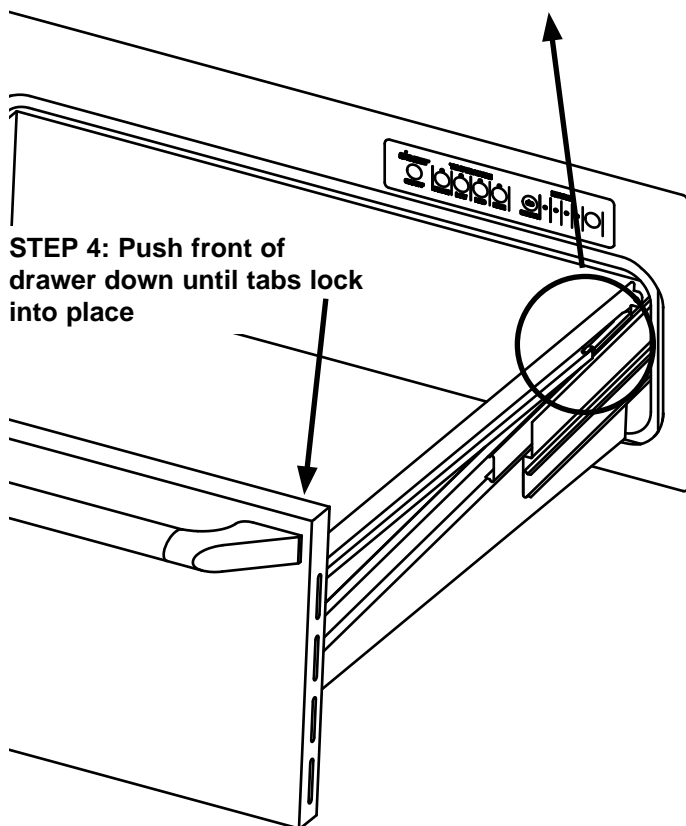
Re-installing the Drawer

1. Pull the drawer slides all the way out of the drawer opening.
2. Gently lower the drawer between the extended slides until it is suspended by them.
3. Slide the back of the drawer mounting brackets under the drawer mounting clips on the slides.
4. Push one side of the drawer down onto its locking tab, until the tab locks into place.
5. Repeat the same process on the opposite side.
6. Gently open and close the drawer to make sure that it is properly installed.

STEP 3: Slide mounting bracket under clip on slide



STEP 4: Push front of drawer down until tabs lock into place



Verifying the Warming Drawer Operation

1. Connect power plug to the electrical outlet.
2. Operate the warming drawer as outlined in the use and care manual that accompanied this product.

Installation Checklist

WARNING

- To ensure a safe and proper installation, the following checklist should be completed by the installer to ensure that no part of the installation has been overlooked.
- Proper installation is the responsibility of the homeowner. The importance of proper installation of your warming drawer cannot be overemphasized.

- Has the mounting platform been installed according to the instructions on page 6?
- Has the a properly grounded, dedicated, three prong electrical outlet been installed for the appliance by a licensed electrician? See page 6.
- Has the chassis been properly fastened to the mounting platform and sides of the cabinet? See page 7.
- Has the drawer been properly installed?
- Has proper operation been verified?
- Have any problems been noted on the warranty card or during the on-line warranty activation? Has the warranty been activated on-line or the warranty card filled out completely and mailed?

