

# EW, EWO, MW, MWO, PW, & PWO Warming Ovens

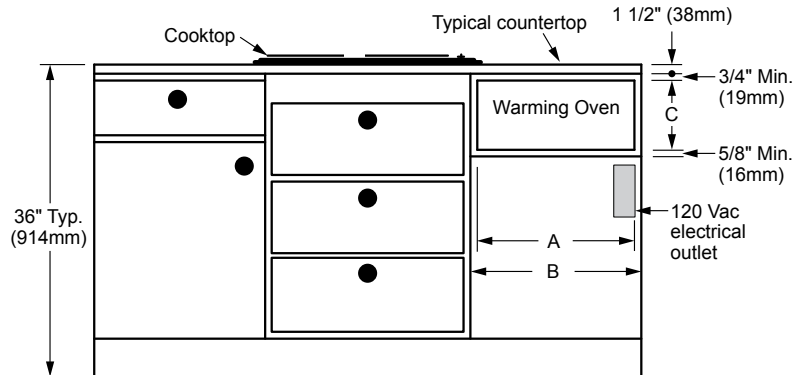


Revised  
12/21/07

24", 27", 30", 36" Wide,  
Warming Ovens

1/2

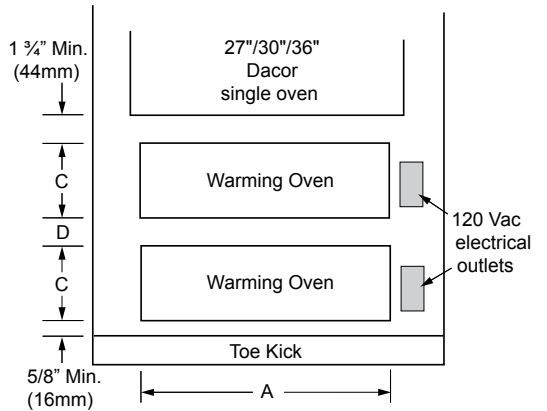
**PLANNING  
GUIDE**



Model	"A" Cutout Width	"B" Min. Width to Adjacent Doors/Drawers	"C" Cutout Height	"D" Min. Gap Between Cutouts
IOWO24	22 9/16" (573mm)	N/A*	12 1/8" (308mm)	N/A*
IWO24	22 1/2" (572mm)	24 1/4" (616mm)	9 1/8" (232mm)	1 1/16" (27mm)
EWO24				
EW27	27 1/4" (692mm)			
EWO27				
IWO27	N/A*	N/A*		
MW27	27 1/4" (692mm)			
MWO27				
PW27	25 1/2" (648mm)	30 1/4" (768mm)	1 1/16" (27mm)	
EW30				
EWO30				
MW30		30 1/4" (768mm)		
MWO30				
PW30		34 3/8" (873mm)	36 1/4" (921mm)	3" (76mm)
PWO30				
EWO36				

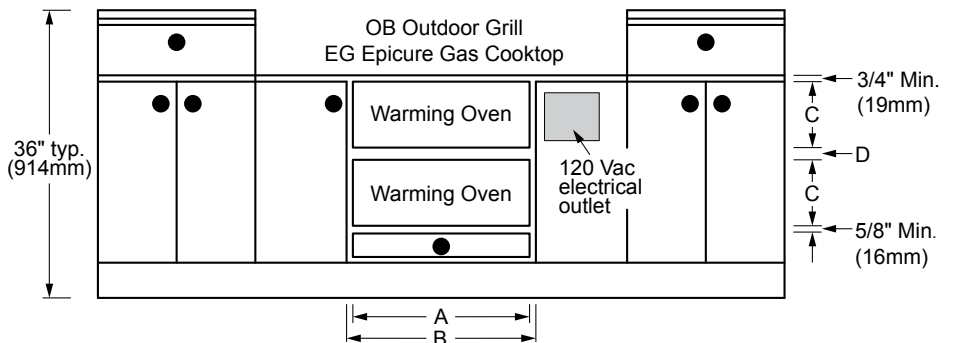
\* Depends on size of cabinet face installed.

## CUTOUT DIMENSIONS



## NOTES:

1. EWO36 models cannot be stacked.
2. 23 3/8" (594mm) minimum cabinet depth.
3. 3/4" (19mm) support platform (flush with cutout).
4. See the Combination Installation (CI) Section if installing with a wall oven, microwave, or cooktop.
5. For stacked warming ovens, see CI.23.



# EW, EWO, MW, MWO, PW, & PWO Warming Ovens

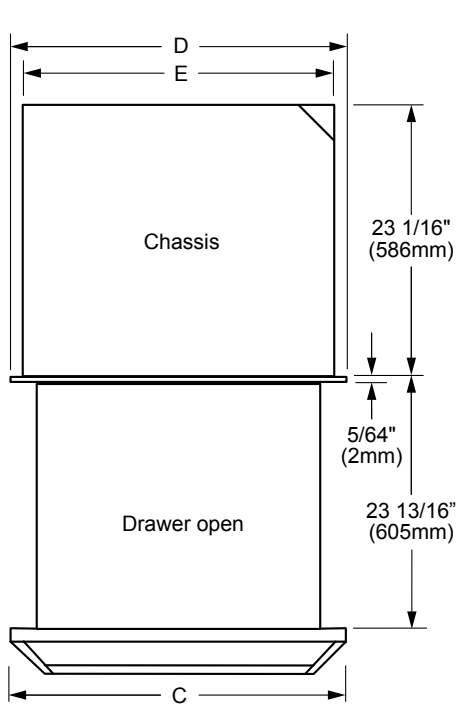


Revised  
11/29/07

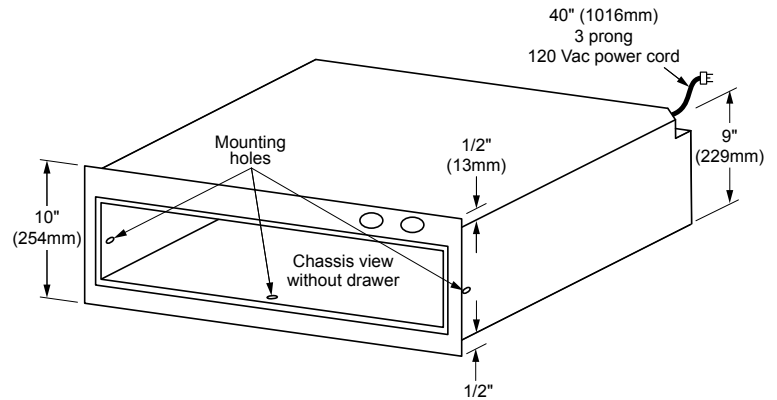
24", 27", 30", 36" Wide,  
Warming Ovens

2/2

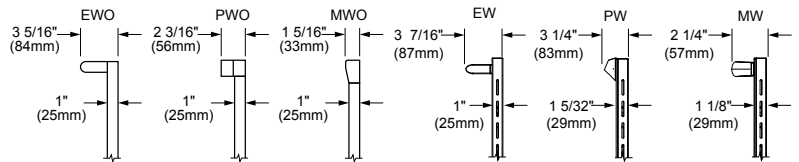
**PLANNING  
GUIDE**



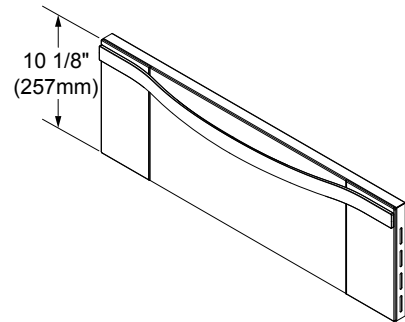
**OVERALL DIMENSIONS  
TOP VIEW  
(EWO Shown)**



**OVERALL CHASSIS DIMENSIONS  
(Chassis View Without Drawer)**



**SIDE VIEW HANDLE PROJECTIONS**



**DRAWER FACE DIMENSIONS  
(MW Shown)**

Models	Dedicated Circuit Required	Total Connected Load	Approximate Shipping Weight
24"	120VAC, 60Hz, 15A (Breaker)	0.5kW (4A)	70 lbs.
27"			73 lbs.
30"			76 lbs.
36"		0.8kW (6.5A)	90 lbs.

Model	"C" Drawer Face Width	"D" Chassis Face Width	"E" Chassis Width
EWO24	23 7/8" (606mm)	23 11/16" (602mm)	22 3/16" (564mm)
EW27	26 7/8" (683mm)	26 11/16" (678mm)	25 3/16" (640mm)
EWO27			
MW27			
MWO27			
PW27	29 7/8" (759mm)	29 11/16" (754mm)	25 3/16" (640mm)
EW30			
EWO30			
MW30			
MWO30			
PW30			
PWO30	35 7/8" (411mm)	35 11/16" (906mm)	34 1/4" (870mm)
EWO36			