

ERWD, EWD, IWD, MRWD, MWDV, MWDH, OWD, PWD Warming Drawers



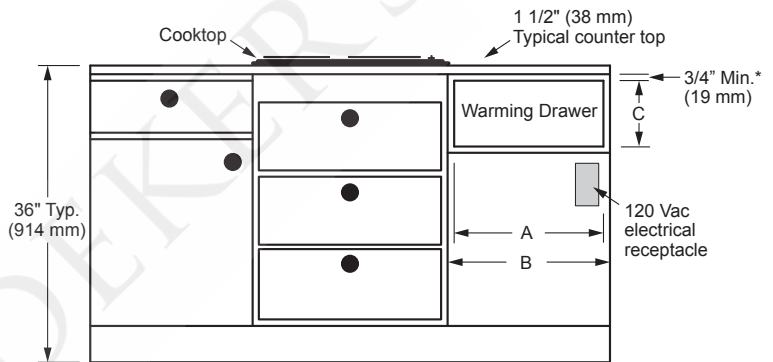
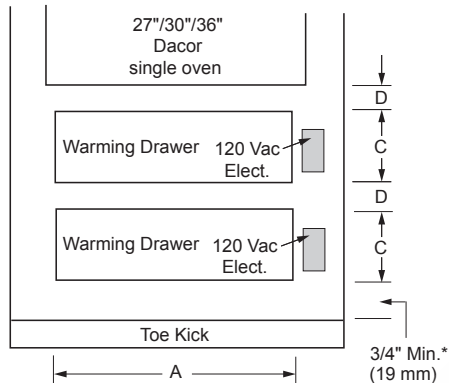
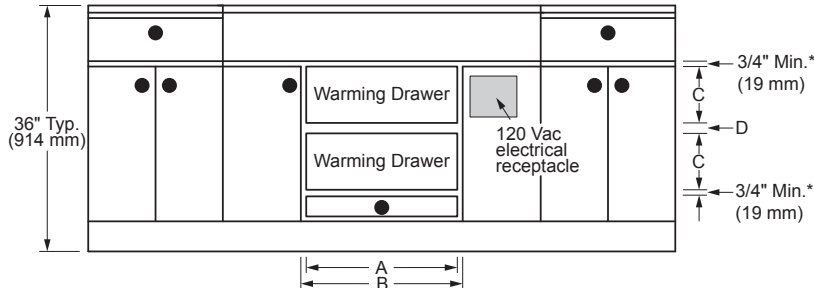
Revised
03/04/09

24", 27", 30", 36" Wide, Warming Drawers

1/3

PLANNING GUIDE

All tolerances: +1/16", -0, (+1.6mm, -0) unless otherwise stated



WARNING

1. Observe all governing codes and ordinances during planning and installation. Contact your local building department for further information.
2. This appliance must be installed in accordance with the accompanying installation instructions.

Electrical Circuit Required	Total Connected Load
120 Vac, 60 Hz, 15 Amp grounded, dedicated circuit	0.5 kW (4.0 Amp)

ELECTRICAL REQUIREMENTS

Model	(A) Cutout Width	(B) Min. Width to Adjacent Doors/Drawers	(C) Cutout Height	(D) Min. Vertical Gap Between Cutouts	Min. Cutout Depth	
ERWD30	28 1/2" (724 mm)	30 1/4" (768 mm)	9 1/8" (232 mm)	1 1/4" (32 mm)*	24" (610 mm)	
EWD24	22 1/2" (572 mm)	24 1/4" (616 mm)*	9 1/8" (232 mm)	1 1/4" (32 mm)*		
EWD27	25 1/2" (648 mm)	27 1/4" (692 mm)*	9 1/8" (232 mm)	1 1/4" (32 mm)*		
EWD30	28 1/2" (724 mm)	30 1/4" (768 mm)*	9 1/8" (232 mm)	1 1/4" (32 mm)*		
EWD36	34 1/2" (876 mm)	36 1/4" (921 mm)*	9 1/8" (232 mm)	1 1/4" (32 mm)*		
IWD24	22 1/2" (572 mm)	***	9 1/8" (232 mm)	***		
IWD27	25 1/2" (648 mm)	***	9 1/8" (232 mm)	***		
IWD30	28 1/2" (724 mm)	***	9 1/8" (232 mm)	***		
MRWD27	25 1/2" (648 mm)	27 1/4" (692 mm)*	9 1/8" (232 mm)	1 1/4" (32 mm)*		
MRWD30	28 1/2" (724 mm)	30 1/4" (768 mm)*	9 1/8" (232 mm)	1 1/4" (32 mm)*		
MWDH27	25 1/2" (648 mm)	27 1/4" (692 mm)*	9 1/8" (232 mm)	1 1/4" (32 mm)*		
MWDH30	28 1/2" (724 mm)	30 1/4" (768 mm)*	9 1/8" (232 mm)	1 1/4" (32 mm)*		
MWDV27	25 1/2" (648 mm)	27 1/4" (692 mm)*	9 1/8" (232 mm)	1 1/4" (32 mm)*		
MWDV30	28 1/2" (724 mm)	30 1/4" (768 mm)*	9 1/8" (232 mm)	1 1/4" (32 mm)*		
OWD24	22 5/8" (575 mm)	24 1/4" (616 mm)**	11 15/16" (303 mm)	3/4" (19 mm)**		20 1/8" (511 mm)
PWD27	25 1/2" (648 mm)	27 1/4" (692 mm)*	9 1/8" (232 mm)	1 1/4" (32 mm)*		24" (610 mm)
PWD30	28 1/2" (724 mm)	30 1/4" (768 mm)*	9 1/8" (232 mm)	1 1/4" (32 mm)*		

CUTOUTS DIMENSIONS

* Bare minimum spacing to allow for ventilation and avoid scraping on EWD, MW and PWD series models. See *** below for spacing for IWD series or OWD24 with custom front panel.

** OWD24 with optional factory front panel kit only. Bare minimum spacing shown to allow for ventilation and avoid scraping. Gap above and below cutout is 3/4" minimum.

*** On IWD series models or OWD24 without optional front panel kit: Height and width of custom front panel must exceed the chassis face dimensions on page 3 to cover face of unit. Dimension (B) above = custom front panel width + 1/4" (6 mm). Dimension (D) above = [custom front panel height - (C) Cutout Height] + 1/4" (6 mm) or 3/4" (19 mm) whichever is larger. Gap above and below cutout is (D)/2 or 3/4" (19 mm) whichever is larger.

ERWD, EWD, IWD, MRWD, MWDV, MWDH, OWD, PWD Warming Drawers



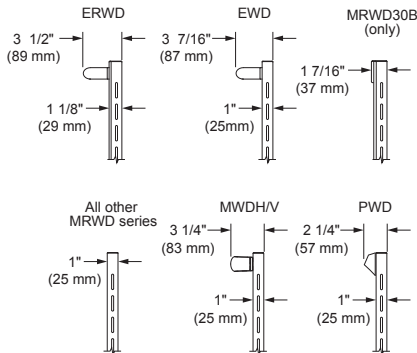
Revised
03/04/09

**24", 27", 30", 36" Wide,
Warming Drawers**

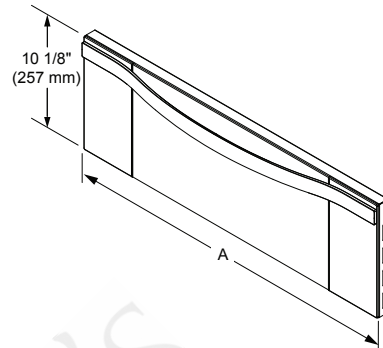
2/3

**PLANNING
GUIDE**

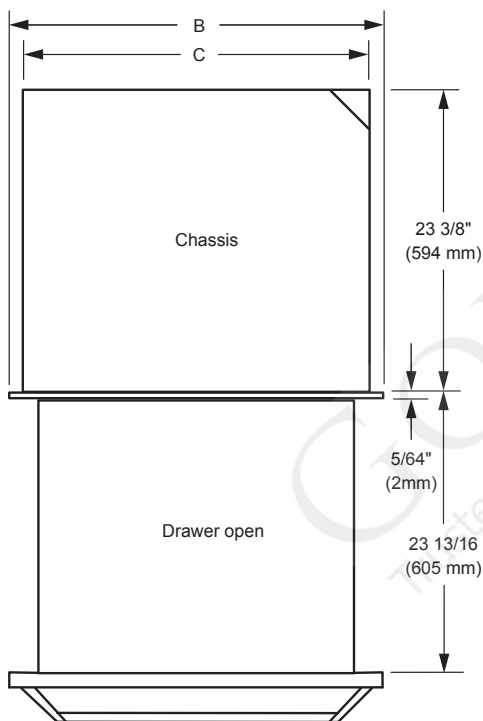
All tolerances: $\pm 1/16"$ ($\pm 1.6\text{mm}$) unless otherwise stated



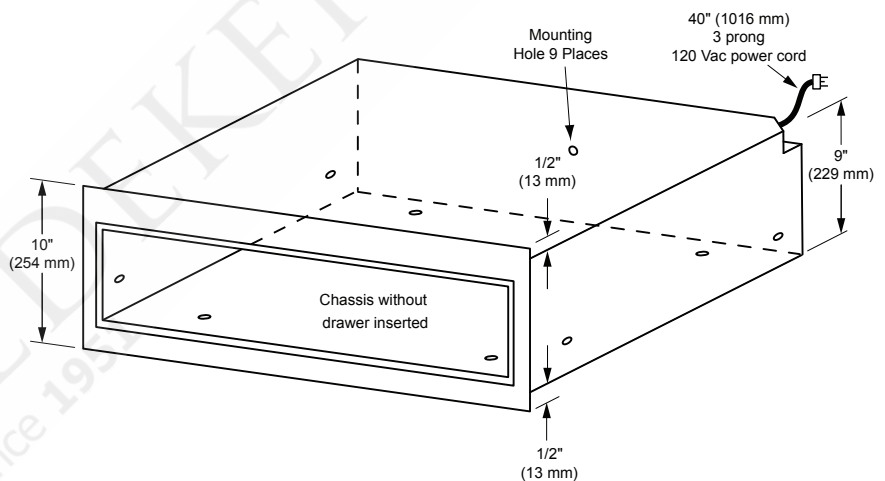
HANDLE DIMENSIONS



**DRAWER FACE DIMENSIONS
(MWD SERIES SHOWN)**



**OVERALL DIMENSIONS
TOP VIEW
(EWD SERIES SHOWN)**



CHASSIS DIMENSIONS

Model	(A) Drawer Face Width	(B) Chassis Face Width	(C) Chassis Width
ERWD30	30" (762 mm)	29 5/8" (752 mm)	28 1/4" (718 mm)
EWD24	24" (610 mm)	23 5/8" (600 mm)	22 1/4" (565 mm)
EWD27	27" (686 mm)	26 5/8" (676 mm)	25 1/4" (641 mm)
EWD30	30" (762 mm)	29 5/8" (752 mm)	28 1/4" (718 mm)
EWD36	30" (762 mm)	35 5/8" (905 mm)	34 1/4" (870 mm)
MRWD27	27" (686 mm)	26 5/8" (676 mm)	25 1/4" (641 mm)
MRWD30	30" (762 mm)	29 5/8" (752 mm)	28 1/4" (718 mm)
MWDH27	27" (686 mm)	26 5/8" (676 mm)	25 1/4" (641 mm)
MWDH30	30" (762 mm)	29 5/8" (752 mm)	28 1/4" (718 mm)
MWDV27	27" (686 mm)	26 5/8" (676 mm)	25 1/4" (641 mm)
MWDV30	30" (762 mm)	29 5/8" (752 mm)	28 1/4" (718 mm)
PWD27	27" (686 mm)	26 5/8" (676 mm)	25 1/4" (641 mm)
PWD30	30" (762 mm)	29 5/8" (752 mm)	28 1/4" (718 mm)

WARMING DRAWER OVERALL DIMENSIONS

Specifications are subject to change without notice.
See installation instructions for additional details.

ERWD, EWD, IWD, MRWD, MWDV, MWDH, OWD, PWD Warming Drawers



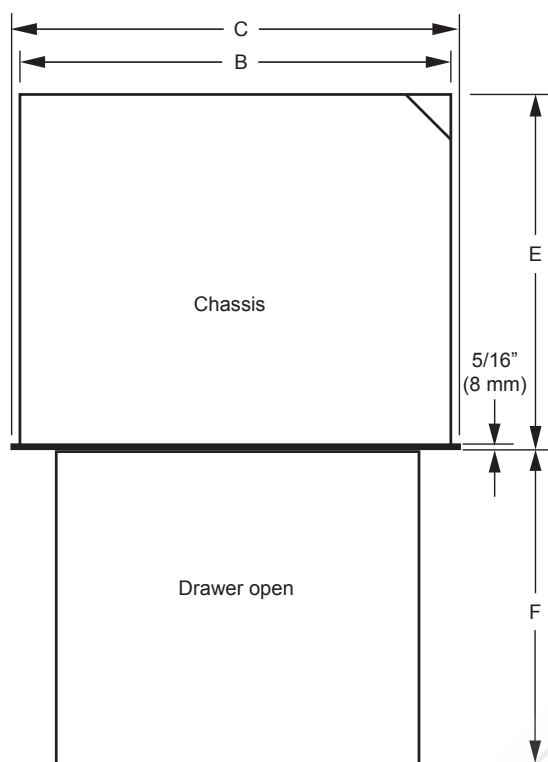
Revised
03/04/09

24", 27", 30", 36" Wide, Warming Drawers

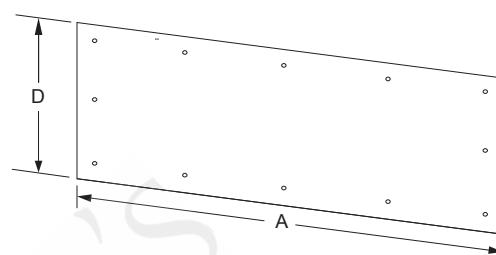
3/3

PLANNING GUIDE

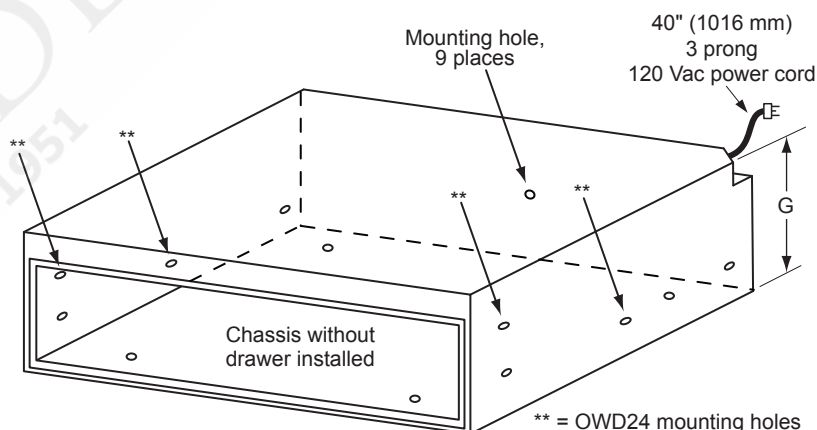
All tolerances: $\pm 1/16"$ ($\pm 1.6\text{mm}$) unless otherwise stated



**OVERALL DIMENSIONS - IWD/OWD SERIES
TOP VIEW**



**DRAWER FACE DIMENSIONS
(IWD/OWD SERIES SHOWN)**



**CHASSIS DIMENSIONS
(IWD/OWD SHOWN)**

Warming Drawer Model No.	(A) Dimension Drawer Face Width	(B) Dimension Chassis Width	(C) Dimension Chassis Face Width	(D) Dimension Drawer Face Height	(E) Dimension Chassis Depth	(F) Dimension Drawer Depth	(G) Dimension Chassis Height
IWD24	22 5/16" (567 mm)	22 1/4" (565 mm)	22 3/8" (568 mm)	8 15/16" (227 mm)	23 3/8" (594 mm)	23 13/16" (605 mm)	9 1/16" (230 mm)
IWD27	25 5/16" (643 mm)	25 1/4" (641 mm)	25 3/8" (645 mm)				
IWD30	28 5/16" (719 mm)	28 1/4" (718 mm)	28 3/8" (721 mm)				
OWD24	22 1/2" (571 mm)	22 1/2" (571 mm)	22 1/2" (571 mm)	11 7/8" (302 mm)	20" (508 mm)	18" (457 mm)	11 7/8" (302 mm)