

EOR, MOR



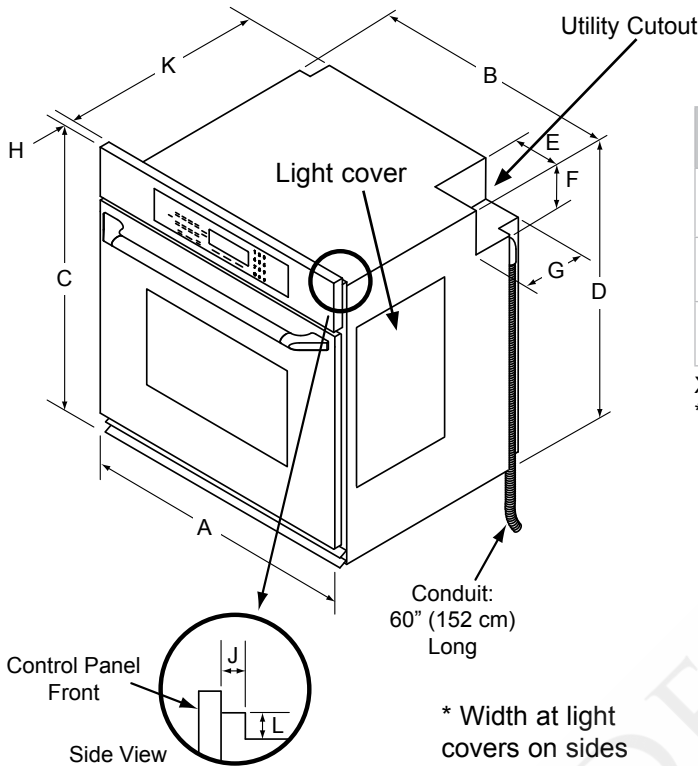
Revised
01/28/08

27", 30", 36" Wide, Single, Renaissance Wall Ovens

1/2

PLANNING GUIDE

All tolerances: +1/6", -0, (+1.6mm, -0) unless otherwise stated



| Model Number | Overall Width (A) | Chassis Width (B)* | Overall Height (C) | Chassis Height (D) |
|---------------------|----------------------|----------------------|-----------------------|-----------------------|
| EORS127/ MORS127 | 26 7/8" (68.3 cm) | 25 3/8" (64.5 cm) | 28 7/16" (72.2 cm) | 26 7/16" (67.2 cm) |
| EORS130/ MORS130 | 29 7/8" (75.9 cm) | 28 3/8" (72.1 cm) | | 26 5/8" (67.6 cm) |
| EORS136 | 35 7/8" (91.1 cm) | 34 3/8" (87.3 cm) | 28 5/8" (72.7 cm) | 26 5/8" (67.6 cm) |

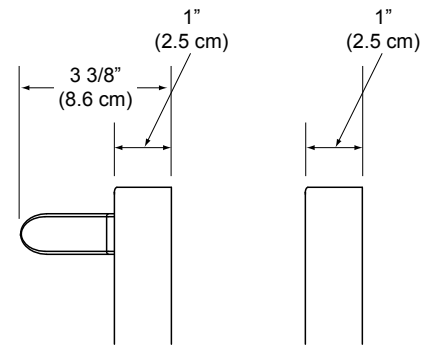
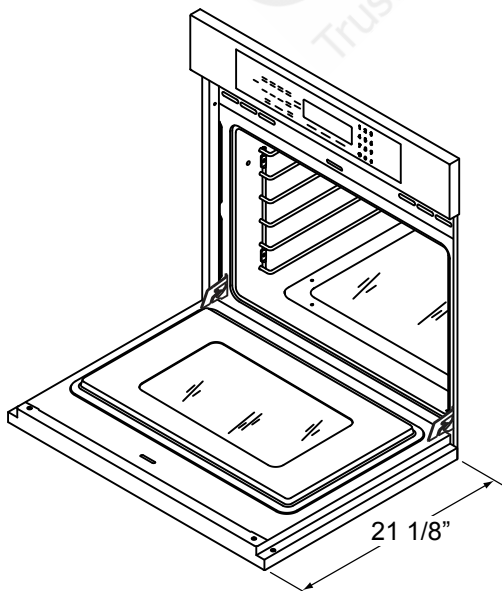
X = Number of convection ovens

* Width at light covers on sides

| Model Number | Dedicated Circuit Requirements* | Total Connected Load |
|--------------|---------------------------------|-----------------------|
| EORS127 | 240 Vac 60 Hz, 30 Amp. | 5.0 kW (20.8 Amp.) |
| MORS127 | | |
| EORS130 | | |
| MORS130 | | |
| EORS136 | | |

* The above specifications are for reference only. See the appliance data plate for exact specifications.

| | Utility Cutout Width (E) | Utility Cutout Height (F) | Utility Cutout Depth (G) | Control Panel Depth (H) | Notch Depth (J) | Chassis Depth (K) | Notch Height (L) |
|------------|--------------------------|---------------------------|--------------------------|-------------------------|--------------------|-------------------|--------------------|
| All Models | 5" (12.7 cm) | 5 1/4" (13.3 cm) | 6" (15.2 cm) | 1" (2.54 cm) | 1 1/8" (2.9 cm) | 24" (61.0 cm) | 1 1/8" (2.9 cm) |



EPICURE

MILLENNIA -
HANDLE IS INTEGRAL

EOR, MOR

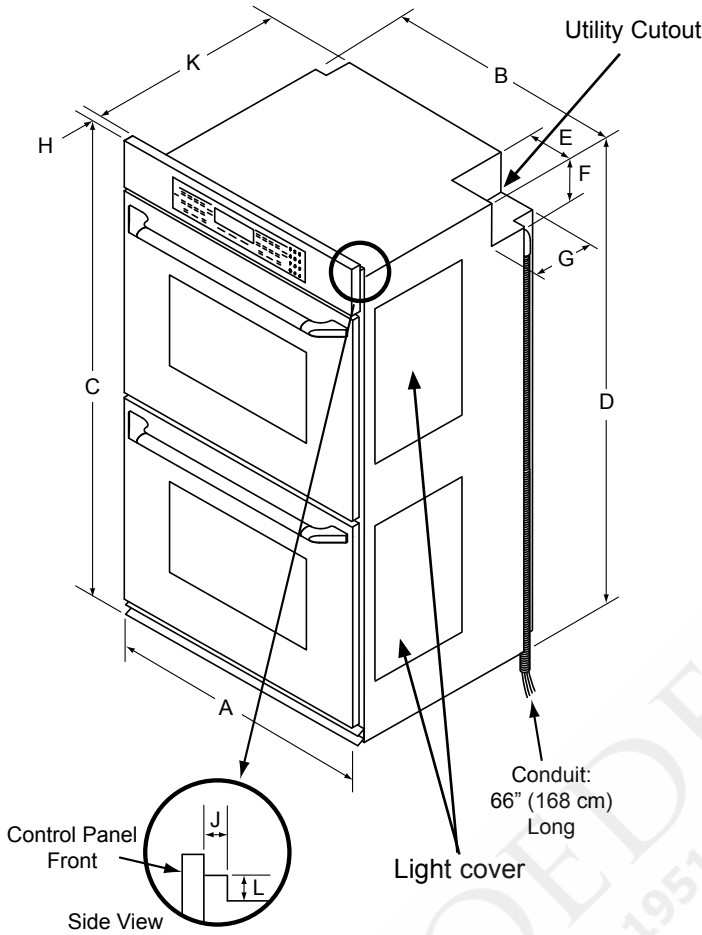


Revised
01/28/08

27", 30", 36" Wide, Double, Renaissance Wall Ovens

1/2

PLANNING GUIDE



| Model Number | Overall Width (A) | Chassis Width (B)* | Overall Height (C) | Chassis Height (D) |
|---------------------|----------------------|----------------------|-------------------------|-------------------------|
| EORX227/ MORX227 | 26 7/8" (68.3 cm) | 25 3/8" (64.5 cm) | 49 15/16" (127.0 cm) | 47 15/16" (121.8 cm) |
| EORX230/ MORX230 | 29 7/8" (75.9 cm) | 28 3/8" (72.1 cm) | | |

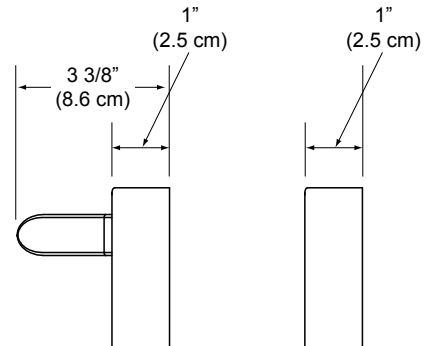
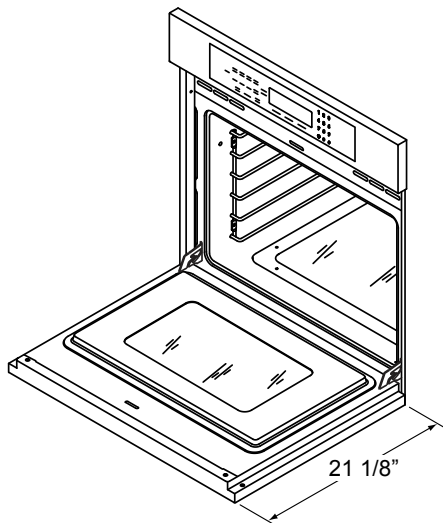
X = Number of convection ovens

* Width at light covers on sides

| Model Number | Dedicated Circuit Requirements* | Total Connected Load |
|--------------|---------------------------------|------------------------|
| EORS227 | 240 Vac 60 Hz, 50 Amp. | 10.0 kW (41.7 Amp.) |
| EORD227 | | |
| MORS227 | | |
| MORD227 | | |
| EORS230 | | |
| EORD230 | | |
| MOCS230 | | |
| MOCD230 | | |

* The above specifications are for reference only. See the appliance data plate for exact specifications.

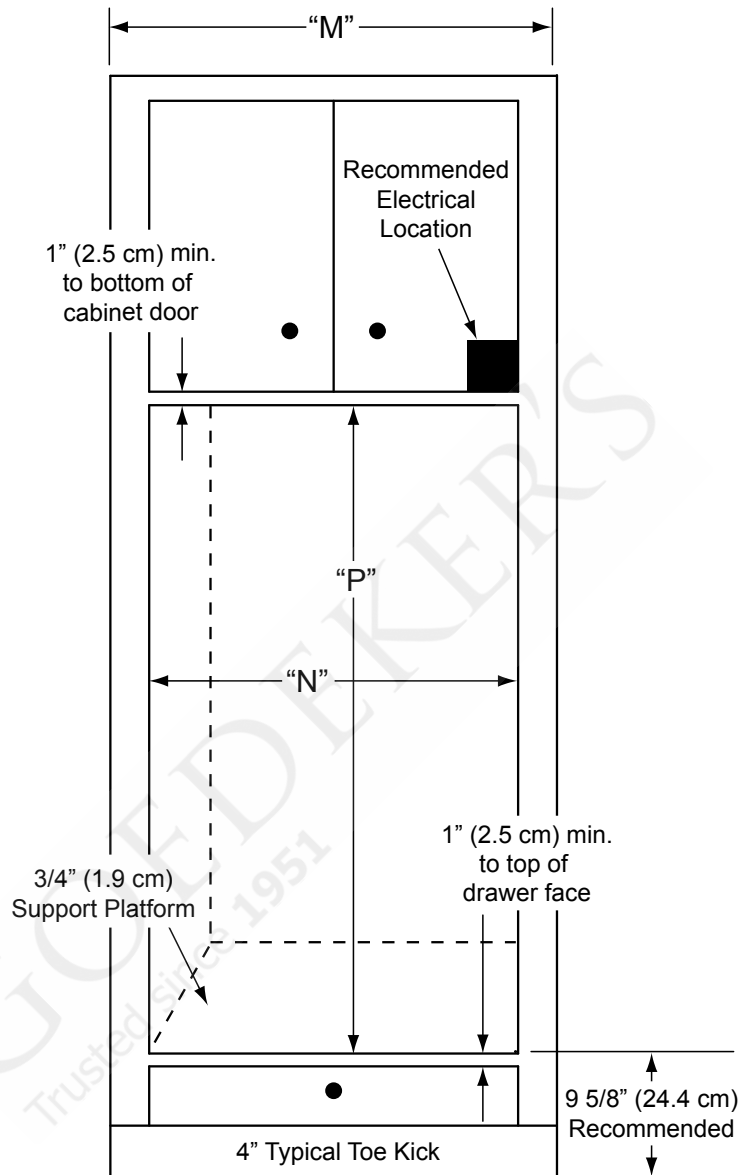
| | Utility Cutout Width (E) | Utility Cutout Height (F) | Utility Cutout Depth (G) | Control Panel Depth (H) | Notch Depth (J) | Chassis Depth (K) | Notch Height (L) |
|------------|--------------------------|---------------------------|--------------------------|-------------------------|--------------------|-------------------|--------------------|
| All Models | 5" (12.7 cm) | 5 1/4" (13.3 cm) | 6" (15.2 cm) | 1" (2.54 cm) | 1 1/8" (2.9 cm) | 24" (61.0 cm) | 1 1/8" (2.9 cm) |



EPICURE

MILLENNIA -
HANDLE IS INTEGRAL

EOR, MOR



Double Wall Oven - Cut Out Dimensions

| Model Number | Minimum Cabinet Width (M) | Minimum Cut Out Width (N) | Minimum Cut out Height (P) |
|---------------------|---------------------------|---------------------------|----------------------------|
| EORX227/ MORX227 | 27" (68.6 cm) | 25 1/2" (64.8 cm) | 49 1/16" (124.6 cm) |
| EORX230/ MORX230 | 30" (76.2 cm) | 28 1/2" (72.4 cm) | |

X = Number of convection ovens