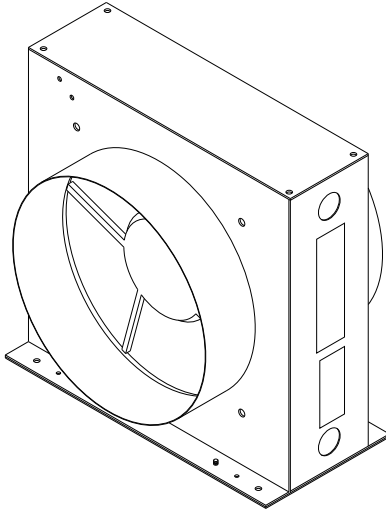
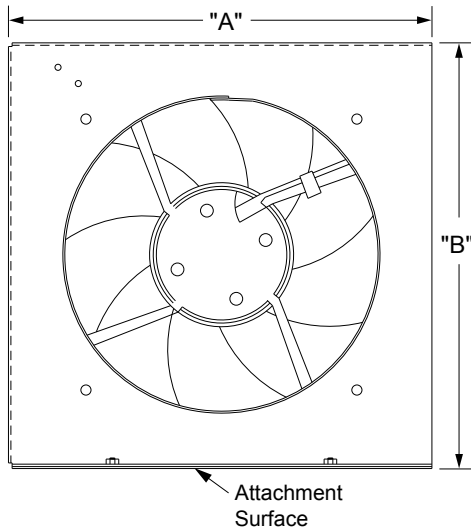


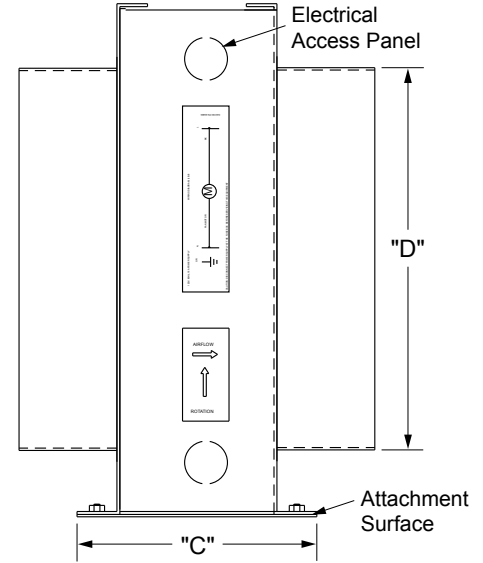
ILB8, ILB10



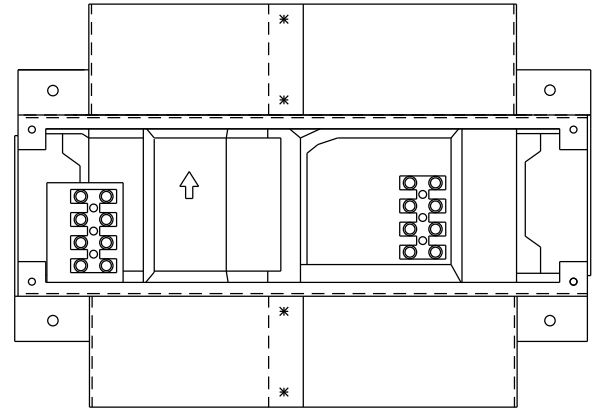
ISOMETRIC VIEW



OVERALL DIMENSIONS FRONT VIEW



OVERALL DIMENSIONS SIDE VIEW



TOP VIEW

NOTE:

- The ILB8 and ILB10 inline blowers are only approved in updraft (hood) applications.

| Model No. | "A" Overall Chassis Width | "B" Overall Chassis Height | "C" Overall Chassis Length | "D" Duct Diameter | Dedicated Circuit Required | Maximum Duct Length | Total Connected Load | Blower Rating | Approximate Shipping Weight |
|-----------|---------------------------|----------------------------|----------------------------|-------------------|------------------------------------|----------------------------------|----------------------|---------------|-----------------------------|
| ILB8 | 10 5/8" (270mm) | 10 1/2" (267mm) | 5" (127mm) | 8" (203mm) | Refer to Ventilator Specifications | Max. 60 Equivalent Straight Feet | 0.1kW (1A) | 600 CFM | 12 lbs. |
| ILB10 | 12 5/8" (321mm) | 12 1/2" (318mm) | | 10" (254mm) | | | 0.2kW (2A) | 1100 CFM | 16 lbs. |