

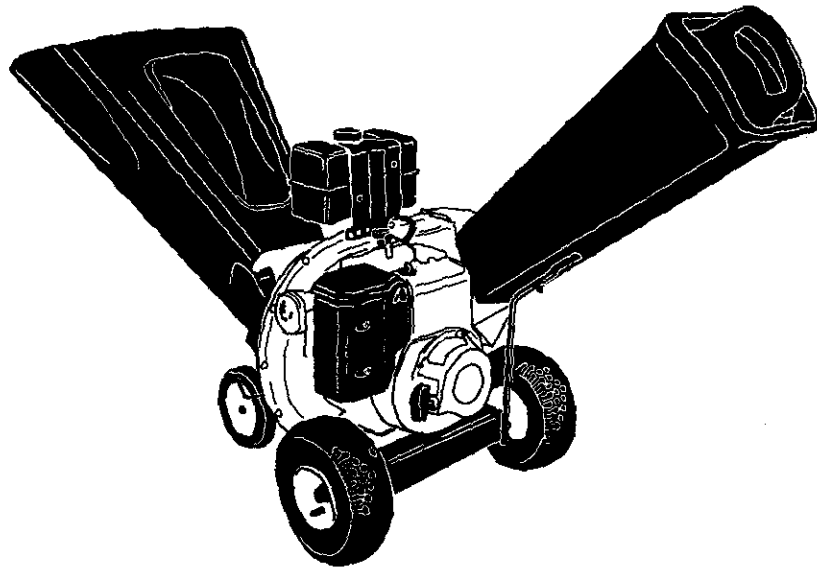
# Owner's Manual



## 10 Horse Power **CHIPPER-SHREDDER**

Model No.

**247.775890**



**CAUTION:** Before using this product, read this manual and follow all Safety Rules and Operating Instructions.

**Sears, Roebuck and Co., Hoffman Estates, IL 60179, U.S.A.**

# TABLE OF CONTENTS

<b>Content</b>	<b>Page</b>	<b>Content</b>	<b>Page</b>
<b>Warranty Information</b>	<b>2</b>	<b>Service &amp; Adjustment</b>	<b>15</b>
<b>Safe Operation Practices</b>	<b>3</b>	<b>Off-Season Storage</b>	<b>18</b>
<b>Assembly</b>	<b>5</b>	<b>Trouble-Shooting</b>	<b>19</b>
<b>Operation</b>	<b>8</b>	<b>Parts List</b>	<b>20</b>
<b>Maintenance</b>	<b>12</b>		

## WARRANTY INFORMATION

### One-Year Warranty on Craftsman Chipper-Shredder

For one year from the date of purchase, when this Craftsman chipper-shredder is maintained, lubricated, and tuned up according to the operating and maintenance instructions in the operator's manual, Sears will repair, free of charge, any defect in material or workmanship.

This warranty excludes the blades, chipper blades, flails, air cleaners, spark plugs, catcher bags and tires which are expendable parts and become worn during normal use.

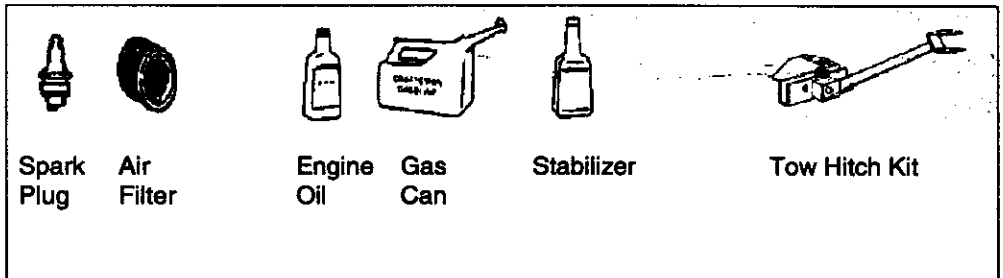
If this chipper-shredder is used for commercial or rental purposes, this warranty applies for only 30 days from the date of purchase.

WARRANTY SERVICE IS AVAILABLE BY CONTACTING THE NEAREST SEARS SERVICE CENTER IN THE UNITED STATES. THIS WARRANTY APPLIES ONLY WHILE THIS PRODUCT IS IN USE IN THE UNITED STATES.

This warranty gives you specific legal rights, and you may also have other rights which vary from state to state. Sears, Roebuck and Co., D/817WA, Hoffman Estates, IL 60179

## ACCESSORIES

These accessories were available when the chipper-shredder was purchased. They are also available at most Sears retail outlets, and service centers. Most Sears stores can order repair parts for you when you provide the model number of your chipper-shredder.



PRODUCT SPECIFICATION	
Horsepower:	10H.P.
Crankcase Capacity:	40 oz. SAE 30 ENGINE OIL
Fuel Tank Capacity:	4 Quart (UNLEADED)
Spark Plug Type	Champion RC14YC
Spark Plug Gap	.030"
Tire Pressure	24 PSI

Model Number.....	<b>247.775890</b>
Serial Number.....	.....
Date of Purchase.....	.....
Record both serial number and date of purchase and keep in a safe place for future reference.	

## SAFE OPERATION PRACTICES



This symbol points out important safety instructions which, if not followed, could endanger the personal safety and/or property of yourself and others. Read and follow all instructions in this manual before attempting to operate your chipper shredder. Failure to comply with these instructions may result in personal injury. When you see this symbol—**heed its warning.**



### DANGER:

Your chipper-shredder was built to be operated **according to the rules for safe operation in this manual.** As with any type of power equipment, carelessness or error on the part of the operator can result in serious injury. **If you violate any of these rules, you may cause serious injury to yourself or others.**



**WARNING:** The Engine Exhaust from this product contains chemicals known to the State of California to cause cancer, birth defects or other reproductive harm.

## GENERAL OPERATION

- Read this owner's guide carefully in its entirety before attempting to assemble this machine. Read, understand, and follow all instructions on the machine and in the manual(s) before operation. Be completely familiar with the controls and the proper use of the machine before operating it. Keep this manual in a safe place for future and regular reference and for ordering replacement parts.
- Your chipper-shredder is a powerful tool, not a plaything. Therefore, exercise extreme caution at all times. Your unit has been designed to perform two jobs; to chip and shred vegetation found in a normal yard. Do not use it for any other purpose.
- Never allow children under age 16 to operate the unit. Children 16 years and older should only operate the unit under close parental supervision. Only responsible individuals who are familiar with these rules of safe operation should be allowed to use your unit.
- Keep the area of operation clear of all persons, particularly small children and pets. Stop the engine when they are in the vicinity of the unit. Keep work area clean and clear of branches or obstacles which could cause you to stumble or fall.
- When feeding material into this equipment, be extremely careful that pieces of metal, rocks, bottles, cans or other foreign objects are not included. Personal injury or damage to the machine could result.
- Always wear safety glasses or safety goggles, during operation and while performing an adjustment or repair, to protect eyes from foreign objects that may be thrown from the machine.
- Wear sturdy, rough-soled work shoes and close fitting slacks and shirt. Shirt and slacks that cover the arms and legs and steel-toed shoes are recommended. Do not wear loose fitting clothes or jewelry and secure hair so it is above shoulder length. They can be caught in moving parts. Never operate a unit in bare feet, sandals or sneakers. Wear gloves when feeding material in the chipper chute or shredder hopper.
- Never place your hands, feet, or any part of your body into the shredder hopper, chipper chute, discharge opening, or near any moving part while the engine is running. Keep clear of the discharge opening at all times. If it becomes necessary to push material into the chipper chute or shredder hopper, use a small diameter stick, **NOT YOUR HANDS.**
- If it is necessary for any reason to unclog the feed intake or discharge openings or to inspect or repair any part of the machine where a moving part can come in contact with your body or clothing, stop the machine, allow it to cool, disconnect the spark plug wire from the spark plug and move it away from the spark plug before attempting to unclog, inspect or repair.
- Do not operate unit while under the influence of alcohol or drugs.
- The machine should only be operated on a level surface. Never operate your unit on a slippery, wet, muddy or icy surface. Keep your work area clean and clear of branches or obstacles which could cause you to stumble and fall. Do not overreach. Maintaining proper footing and balance is essential to preventing accidents.
- Do not allow an accumulation of processed material to build up in the discharge area as this will prevent proper discharge and can result in kick-back from the chipper chute.
- Keep your face and body back from chipper chute to avoid accidental bounce back of any material.
- Do not transport machine while engine is running.
- If the cutting mechanism strikes a foreign object or if your machine should start making an unusual noise or vibration, immediately stop the engine and allow the machine to come to a complete stop. Disconnect the spark plug wire and move it away from the spark plug. Take the following steps.
  - a. Inspect for damage.
  - b. Repair or replace any damaged parts.
  - c. Check for any loose parts and tighten to assure continued safe operation.
- Never attempt to attach or remove catcher bag when engine is running. Shut the engine off and wait for the impeller to come to a complete stop. The impeller continues to rotate for a few seconds after the engine is

shut off. Never place any part of the body in the impeller area until you are sure the impeller has stopped rotating.

- Muffler and engine become hot and can cause a burn. Do not touch.
- Do not allow leaves or other debris to build-up on engine's muffler. The debris could ignite and cause a fire.
- Do not attempt to shred or chip material larger than specified in this manual. Personal injury or damage to the machine could result.
- Do not operate engine if air cleaner or cover over carburetor air-intake is removed, except for adjustment. Removal of such parts could create a fire hazard.
- Only use accessories approved for this machine by the manufacturer. Read, understand, and follow all instructions provided with the approved accessory.
- If situations occur which are not covered by this manual, use care and good judgment. Contact your dealer for assistance.
- Keep discharge chute deflector, chipper chute flap, and all other guards and safety devices in place and operating properly.
- Only operate unit in good daylight. Do not operate unit at night or in dark areas where your vision may be impaired.

## CHILDREN

Tragic accidents can occur if the operator is not alert to the presence of small children. Children are often attracted to the chipper-shredder and the chipping and shredding activity. Never assume that children will remain where you last saw them.

- Keep children out of the work area and under the watchful eye of a responsible adult other than the operator.
- Be alert and turn the unit off if a child enters the area.
- Never allow children under the age of 16 to operate the chipper-shredder.

## SERVICE

- Use extreme care in handling gasoline and other fuels. They are extremely flammable and the vapors are explosive.
  - a. Store fuel and oil in approved containers, away from heat and open flame, and out of the reach of children. Check and add fuel before starting the engine. Never remove gas cap or add fuel while

the engine is running. Allow engine to cool at least two minutes before refueling.

- b. Replace gasoline cap securely and wipe off any spilled gasoline before starting the engine as it may cause a fire or explosion.
  - c. Extinguish all cigarettes, cigars, pipes and other sources of ignition.
  - d. Never refuel unit indoors because flammable vapors will accumulate in the area.
  - e. Never store the machine or fuel container inside where there is an open flame or spark such as a gas hot water heater, space heater, clothes dryer or furnace.
- Never run your machine in an enclosed area as the exhaust from the engine contains carbon monoxide, which is an odorless, tasteless and deadly poisonous gas.
  - To reduce fire hazard, keep engine and muffler free of leaves, grass, and other debris build-up. Clean up fuel and oil spillage. Allow unit to cool at least 5 minutes before storing.
  - Before cleaning, repairing, or inspecting, make certain the impeller and all moving parts have stopped. Disconnect the spark plug wire and keep wire away from spark plug to prevent accidental starting. Do not use flammable solutions to clean air filter.
  - Check the blade and engine mounting screws at frequent intervals for proper tightness. Also visually inspect blades for wear and/or damage (e.g., bent, cracked). Replace with blades which meet original equipment specifications.
  - Keep all nuts, bolts, and screws tight to be sure the equipment is in safe working condition.
  - Never tamper with safety devices. Check their proper operation regularly.
  - After striking a foreign object, immediately stop the engine, disconnect the spark plug wire from the spark plug, and thoroughly inspect the unit for any damage. Repair damage before starting and operating unit.
  - Do not alter or tamper with the engine's governor setting. The governor controls the maximum safe operating speed of the engine. Over-speeding the engine is dangerous and will cause damage to the engine and to other moving parts of the machine.

## YOUR RESPONSIBILITY



Restrict the use of this power machine to persons who read, understand and follow the warnings and instructions in this manual and on the machine.

## SAVE THESE INSTRUCTIONS FOR FUTURE REFERENCE



This unit is equipped with an internal combustion engine and should not be used on or near any unimproved forest-covered, brush-covered or grass-covered land unless the engine's exhaust system is equipped with a spark arrester meeting applicable local or state laws (if any). If a spark arrester is used, it should be maintained in effective working order by the operator.

In the State of California the above is required by law (Section 4442 of the California Public Resources Code). Other states may have similar laws. Federal laws apply on federal lands. A spark arrester for the muffler is available through your nearest Sears Authorized Service Center (See the REPAIR PARTS section of this manual.)

# ASSEMBLY

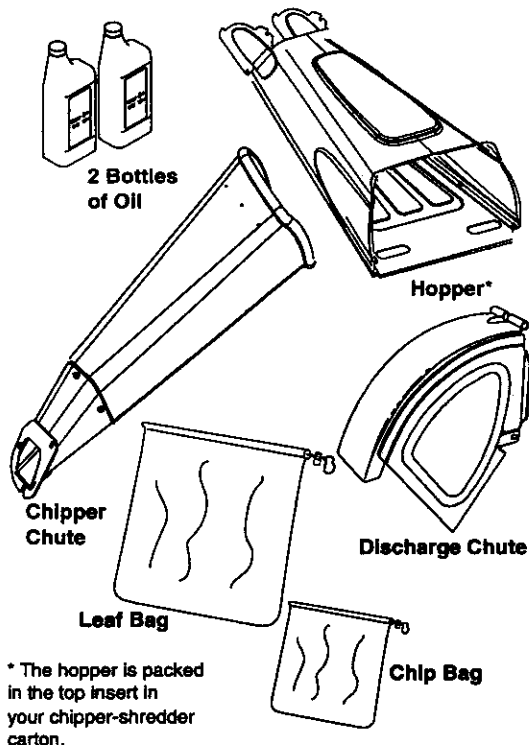
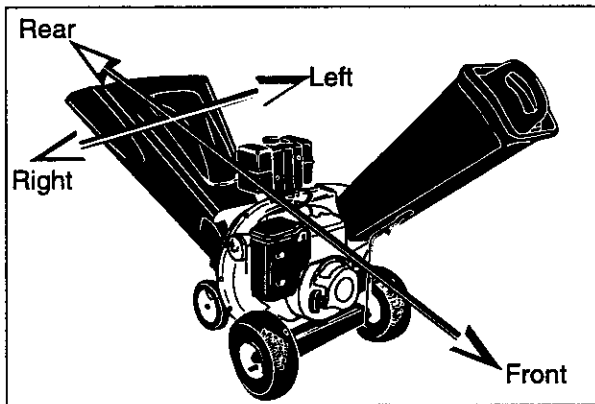


Figure 1

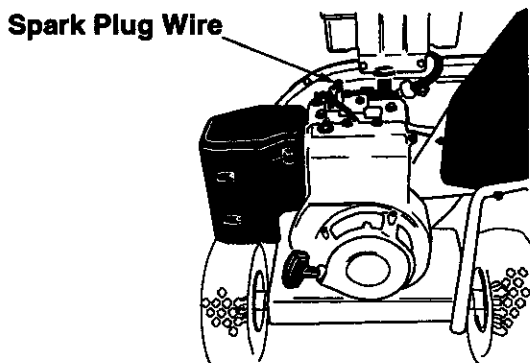


Figure 2

**IMPORTANT:** This unit is shipped **without gasoline or oil** in the engine. After assembly, see **OPERATION** section of this manual for proper fuel and engine oil fill-up.

**NOTE:** To determine right and left hand sides of your chipper-shredder, stand behind the unit with the engine farthest away from you. See Figure 1 inset.

Your chipper-shredder has been completely assembled at the factory, except for the hopper assembly, chipper chute, discharge chute and the catcher bag. These parts are shipped loose in the carton. A pair of safety glasses and two bottles of oil are also included in the carton.

## Remove From Carton

- Cut the corners of the carton. Remove all packing inserts. Remove all loose parts including owner's manual. See Figure 1.
- Roll chipper-shredder out of the carton.
- Make certain all parts and literature have been removed before the carton is discarded.

## Loose Parts

(Refer to Figure 1.)

- a. Hopper Assembly
- b. Discharge Chute
- c. Chipper Chute
- d. Leaf Bag, chip bag
- e. Bottle of Oil (2)
- f. Safety Glasses (not shown in Figure 1)
- g. Owner's Manual (not shown in Figure 1)

## Tools Required

1. 1/2" or adjustable wrenches
2. 7/16" or adjustable wrenches
3. 9/16" or adjustable wrenches
4. Funnel

## Disconnecting Spark Plug

- Disconnect the spark plug wire and move it away from the spark plug before assembling the chipper-shredder. See Figure 2.

## Attaching Discharge Chute

- Remove the wing knobs from each side of the discharge opening on the chipper-shredder.
- Using two 7/16" wrenches, remove hex lock nut, two spacers, and the hex bolt from top of the housing assembly. For easy assembly, do not remove the second spacer from the hex bolt.
- Place the discharge chute in position on the discharge opening as shown in step 1 in Figure 3. Insert hex bolt and spacer through hinge on discharge chute and housing (spacer fits inside of hinge). See Figure 3 inset A.

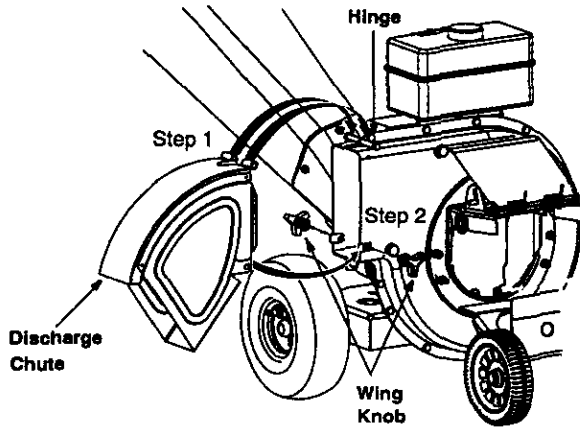
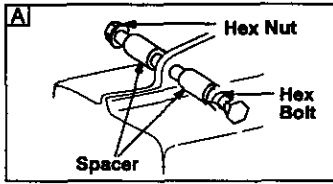


Figure 3

- Place second spacer over hex bolt inside the other part of the hinge as shown in the inset. Secure tightly with hex lock nut.
- Secure both sides of discharge chute to housing using wing knobs that you earlier removed. This is shown in step 2 in Figure 3. Tighten wing knobs.

### Attaching Hopper Assembly

- Remove the 8-3/8" long hex bolt and the hex nut from the bottom of the inlet guide opening. See Figure 4 inset.
- Place the hopper assembly on the ground and hold it in the position shown in Figure 4.

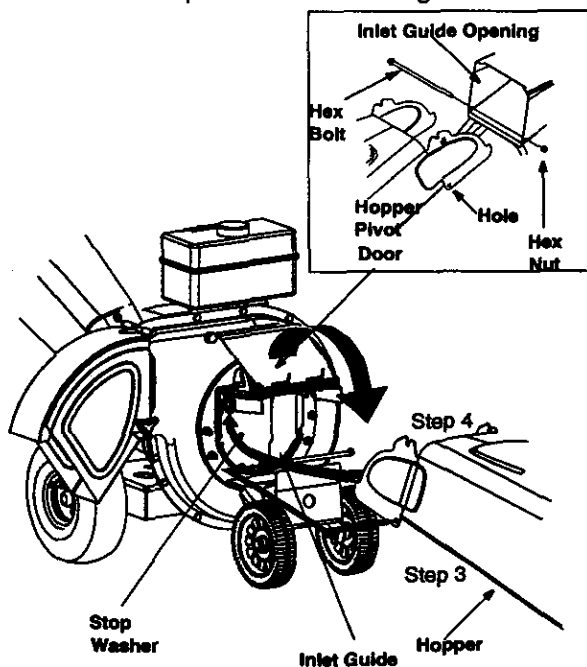


Figure 4

- Holding the hopper, push hopper pivot door down inside the hopper. See Figure 4.
- Slide the hopper assembly towards the chipper-shredder housing so that the upper guide on the hopper assembly slides under the stop washer on each side of the inlet guide. See Figure 4.
- Align the two holes (one on each side) of the lower hopper with the two holes (one on each side) of the inlet guide. See Figure 4 inset.
- Insert the hex bolt (that you earlier removed) from the left through the hole on the hopper and the inlet guide. Insert the hex nut onto the bolt from the other side. See Figure 4 inset.
- Tighten the bolt till the lock nut is engaged. Make sure to remove sideplay from the bolt, but the hopper should be able to pivot.

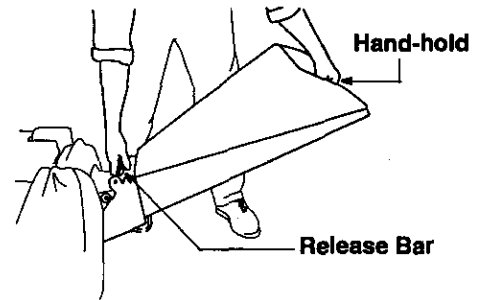
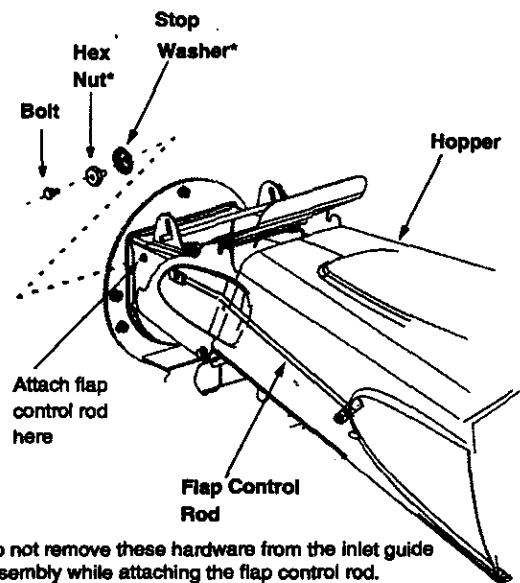


Figure 5

- To raise the hopper, hold the hopper by the hand-hold and lift it up till it clicks into position. See Figure 5.
- To lower the hopper, hold the hopper by the hand-hold and pull the release bar. The hopper should drop down. See Figure 5.

The flap control rod is already attached to the hopper at the top. The other end of the rod has to be attached to the stop washer on the inlet guide. See Figure 6.



\* Do not remove these hardware from the inlet guide assembly while attaching the flap control rod.

Figure 6

- Raise the hopper till it clicks into position.
- Unscrew the shoulder bolt from the stop washer on the inlet guide. See Figure 6.
- Align the loose end of the flap control rod with the stop washer on the inlet guide.
- Slide the shoulder bolt through the opening in the flap control rod. Secure tightly. See Figure 6.



**WARNING:** This flap control rod is a safety device to hold the flap in place inside the hopper while shredding branches. **Do not operate** the chipper-shredder without properly attaching this flap control rod to the unit

## Attaching Chipper Chute

- Your unit is shipped with one end of the brace already secured to the lower frame. Loosen the bolts securing the brace to the frame.

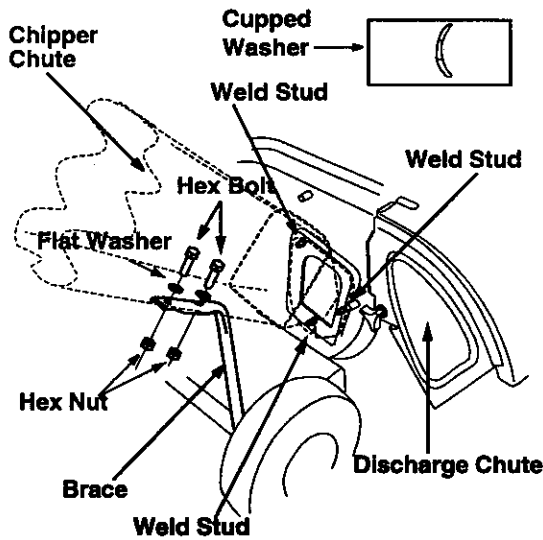


Figure 7

- Remove the three cupped washers and hex nuts from the weld studs beside the opening on the left side of the housing. See Figure 7.
- Remove the two sets of hex bolt, lock nut, and flat washer from the two holes on the upper end of the brace. See Figure 7.
- Place the chipper chute over the weld studs so the slot on the chute is towards the bottom. Align the three holes at the bottom of the chute with the three weld studs.

- Secure with the three pairs of cupped washers and hex nuts that you earlier removed. Do not tighten the nuts at this time. Make sure to place the cupped side of the washer against the chipper chute.
- Align the holes towards the front opening of the chute with the holes on the brace. See Figure 7.
- Insert one each of the hex bolts, lock nuts, and flat washers (that you earlier removed) through each hole in the chute and the brace. See Figure 7 for the correct order. Tighten bolts.
- Tighten bolts securing the brace to the frame.
- Tighten the three nuts on the weld studs.

## Attaching Catcher Bag

Your chipper-shredder is equipped with two catcher bags of different sizes (leaf bag and chip bag) to catch the shredded material. Select the bag that is most appropriate for the task ahead.

- To attach the bag, place the opening of the bag over the chute deflector and the chute flange. Make sure it completely covers the chute deflector.
- Depress the plunger on the draw-string, and pull on the draw-string until the bag is tight around the chute opening. Release plunger to lock it into position. See Figure 8.

**NOTE:** For easier handling, it is recommended that

- a. the chip bag (which is smaller of the two) should be used for catching chipped branches.
- b. the leaf bag (larger) should be used for catching shredded leaves.

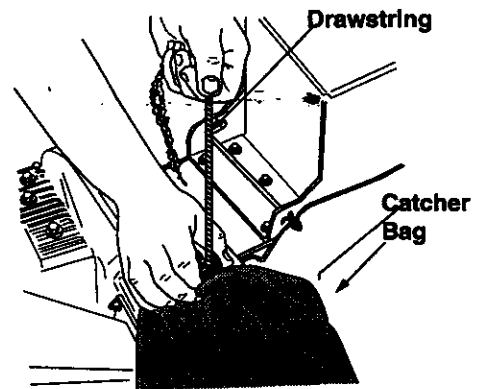


Figure 8

# OPERATION

Read this owner's manual and safety rules before operating your chipper-shredder. Compare Figure 9 with your chipper-shredder to familiarize yourself with the location of various controls and adjustments. Save this manual for future reference.



The operation of any chipper-shredder can result in foreign objects being thrown into the eyes, which can result in severe eye damage. **Always wear safety glasses** provided with the chipper-shredder before chipping or shredding, or while performing any adjustments or repairs.

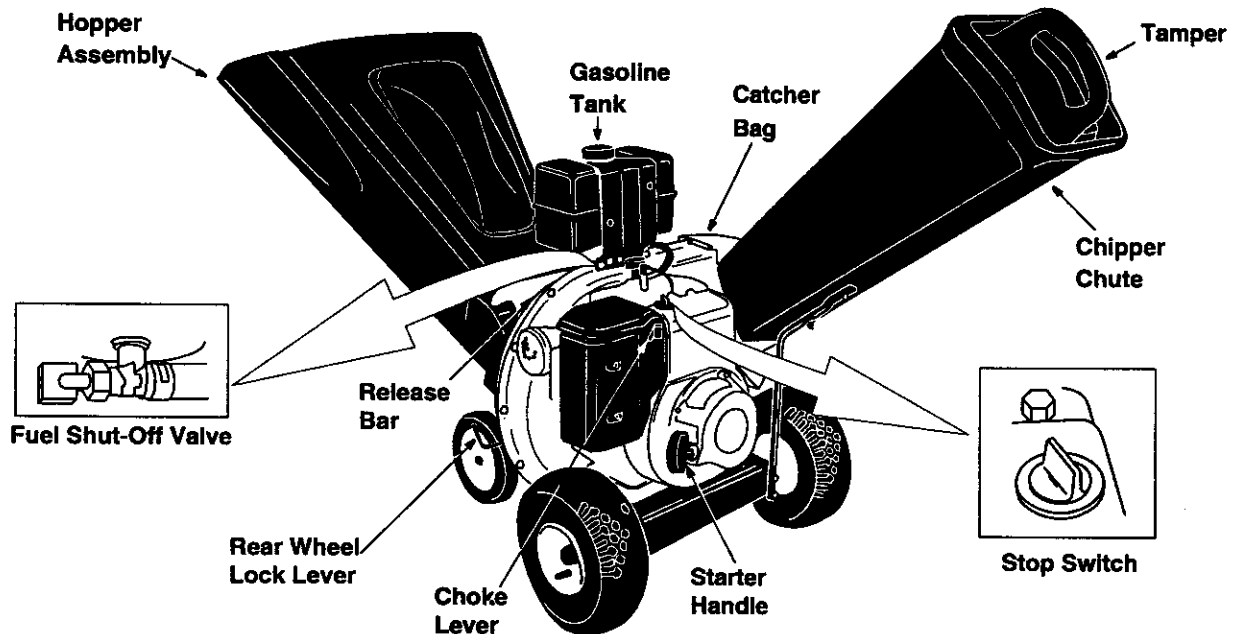


Figure 9

## Operating Controls

(Refer to Figure 9.)

### Release Bar

Used to release the hopper when raising or lowering.

### Choke Lever

Used to enrich the fuel mixture in the carburetor when starting a cold engine.

### Starter Handle

Used to manually start the engine.

### Hopper Assembly

Allows leaves and small branches upto 1/2" diameter to be fed into the impeller for shredding. Lower the hopper to collect raked material for shredding.

### Stop Switch

Used to stop the engine; also *has to be turned on* before pulling the starter handle to start the engine.

### Chipper Chute

Allows bulky vegetation like stalks or heavy branches upto 3" diameter to be fed into the impeller for chipping. The **tamper** helps to feed smaller material into the chipper chute.

### Catcher Bags

A large leaf bag and a smaller chip bag used to collect the shredded material.

### Rear Wheel Lock Lever

Used to lock the rear wheels from moving.

### Fuel Shut-off Valve

Used to turn on or off the flow of gasoline to the engine. Turn the valve ON to start the engine.

## Stopping Engine

- Turn the stop switch to OFF. Disconnect the spark plug wire and move it away from the spark plug to prevent accidental starting.

## Meets ANSI Safety Standards

Sears chipper-shredders conform to safety standard B 71.6 -1990 of the American National Standards Institute (ANSI).



## Lowering Hopper Assembly

In order to rake leaves into the hopper, you will need to lower the hopper.

- To lower the hopper assembly, use one hand to grasp the hand-hold at the top of the hopper assembly and lift slightly. See Figure 5.
- Pull up on the release bar, and lower the hopper assembly to the drop-down position. Release the bar. See Figure 5.

## Using Rear Wheel Lock Lever

Keep the rear wheels locked while operating the unit. Unlock the rear wheels for transporting the unit.

- Pull the lever out and down and insert in bottom slot to lock the rear wheels.
- Pull the lever out and upwards and insert in top slot to unlock the wheels. See Figure 10.

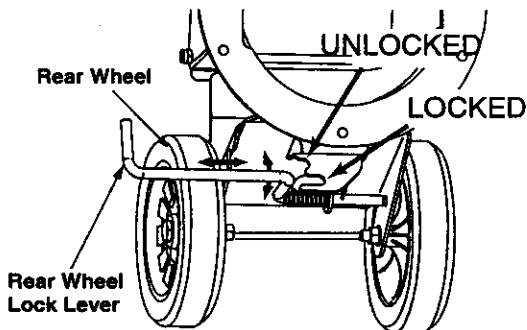
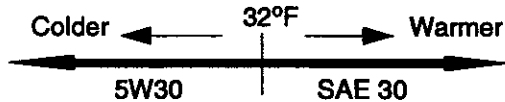


Figure 10

## Gas And Oil Fill-Up

### Oil (2 bottles shipped with unit)

- Only use high quality detergent oil rated with API service classification SF, SG or SH. Select the oil's viscosity grade according to your expected operating temperature. Follow the chart below.



**NOTE:** Although multi-viscosity oils (5W30, 10W30, etc.) improve starting in cold weather, these multiviscosity oils will result in increased oil consumption when used above 40°F. Check the oil level more frequently to avoid possible engine damage from running low on oil.

Fill engine with oil as follows.

- Remove oil fill dipstick. See Figure 11.
- With chipper-shredder on level ground, use a funnel to fill engine with oil to FULL mark on dipstick. Capacity is approximately 40 ounces. Be careful not to overfill. Replace dipstick and tighten.
- Start and run engine for 30 seconds. Shut engine off. Wait 30 seconds and check oil level.

Add oil, if necessary, to bring the oil level to FULL mark on the dipstick.

- Replace dipstick and tighten.

**NOTE:** Do not overfill. Oil bottles packed with unit contain a total of approximately 40 oz. of oil.

### Gasoline

**WARNING:** Experience indicates that alcohol blended fuels (called gasohol or using ethanol or methanol) can attract moisture which leads to separation and formation of acids during storage. Acidic gas can damage the fuel system of an engine while in storage. To avoid engine problems, the fuel system should be **emptied before storage** for 30 days or longer. Drain the gas tank, start the engine and let it run until the fuel lines and carburetor are empty. Use fresh fuel next season. See STORAGE instructions for additional information. **Never use engine or carburetor cleaner products in the fuel tank or permanent damage may occur.**

Fill gasoline tank as follows.

- Remove fuel cap.
- Make sure the container (from which you will pour the gasoline) is clean and free from rust or foreign particles. Never use gasoline that may be stale from long periods of storage in the container.
- Fill fuel tank with clean, fresh, lead-free automotive gasoline. DO NOT use Ethyl or high octane gasoline. See Figure 11. Replace fuel cap.

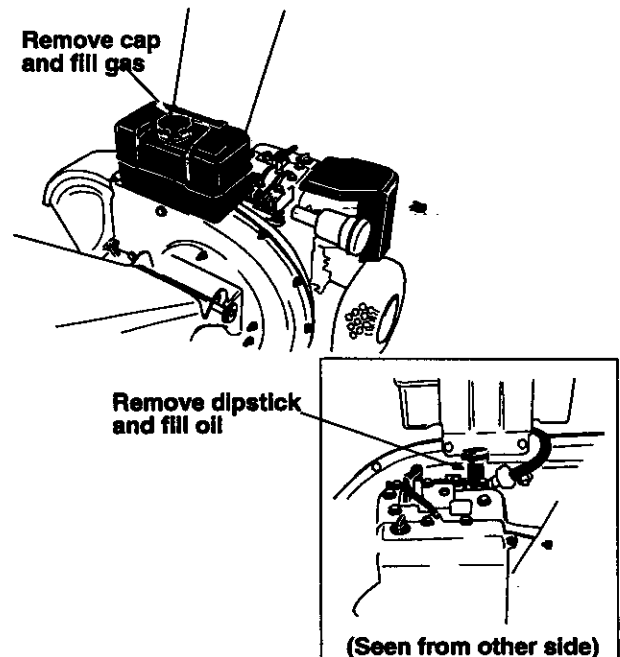


Figure 11



**WARNING:** Do not fill closer than 1/2 inch from the top of the fuel tank to prevent spills and to allow for fuel expansion. If gasoline is accidentally spilled, move chipper-shredder away from area of spill. Avoid creating any source of ignition until gasoline vapors have disappeared.

- Check the fuel level periodically to avoid running out of gasoline while operating the chipper-shredder.
- If the unit runs out of gas as it is shredding or chipping, it may be necessary to unclog the unit before it can be restarted. Refer to Removing the Flail Screen in SERVICE AND ADJUSTMENT section.

## Starting Engine



**WARNING:** Be sure no one other than the operator is standing near the chipper-shredder while starting or operating. Do not operate this chipper-shredder unless the chute deflector has been properly installed and is secured with the hand knobs.

This engine conforms to the low emissions standard and is designed for maximum performance and life if operated with the choke fully open in RUN position.

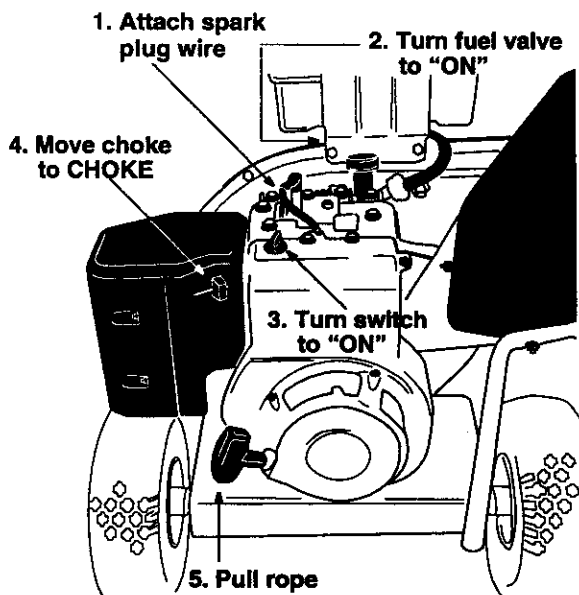


Figure 12

**NOTE:** To prevent the unit from sliding, place your foot firmly against the tire.

- Attach spark plug wire and rubber boot to spark plug. See Figure 12.
- Always turn fuel shut-off valve to ON position

- before proceeding with starting procedure.
- Move stop switch to ON position. See Figure 12.
- Move choke control to CHOKE position. See Figure 12. If restarting a warm engine after a short shutdown, move choke lever to RUN position.
- Grasp starter handle and pull rope out slowly until engine reaches start of compression cycle (rope will pull slightly harder at this point). Let the rope rewind slowly. See Figure 12.
- Pull rope with a rapid full arm stroke. Let rope return to starter slowly.
- When engine starts, let the engine warm up for several seconds to several minutes depending on the temperature. Then move choke lever towards RUN position until engine runs smoothly.
- Moving the choke gradually towards RUN allows the engine to accept small changes in speed and load until the choke is fully open at RUN position.
- Move choke lever to RUN position as engine warms up.
- If engine fails to start after three pulls, move choke lever to RUN position and pull starter rope again.
- If engine fires, but does not continue to run, move choke lever to Choke position and pull rope again.

**NOTE:** A noise will be heard when finding the start of the compression cycle. This noise is caused by the flails and fingers which are part of the shredding mechanism falling into place, and should be expected. In addition, the flails and fingers will be noisy after the engine is started, until the impeller reaches full speed.

## Stopping Engine

- Move stop switch to OFF position.
- Turn fuel shut-off valve to OFF position.
- Disconnect spark plug wire and move away from spark plug to prevent accidental starting.



**WARNING:** Do not move choke control to CHOKE position to stop the engine. Serious engine damage may occur.

## Using Your Chipper-Shredder



**WARNING:** Do not attempt to shred or chip any material other than vegetation found in a normal yard (i.e., branches, leaves, twigs, etc.).

- The chipper-shredder is designed for two different methods of operation.
  - a. Leaves and small branches up to 1/2" diameter (maximum) can be fed into the

hopper assembly when it is in the raised or lowered position. See Figure 13.

- b. Bulky material, such as stalks or heavy branches, up to 3" in diameter should be fed into the chipper chute. See Figure 13.



**WARNING:** Do not put material larger than is specified into the hopper, and/or into the chipper chute. Personal injury or damage to the machine could result.

- If it becomes necessary to push material into the chipper-shredder, use the tamper— **not your hands**.
- For collecting raked leaves into the hopper, first remember to put the hopper flaps behind the retaining bracket inside the upper hopper.



**WARNING:** Never remove chute deflector till the unit has completely stopped. **Never shut off the engine until all chipping is completed.**

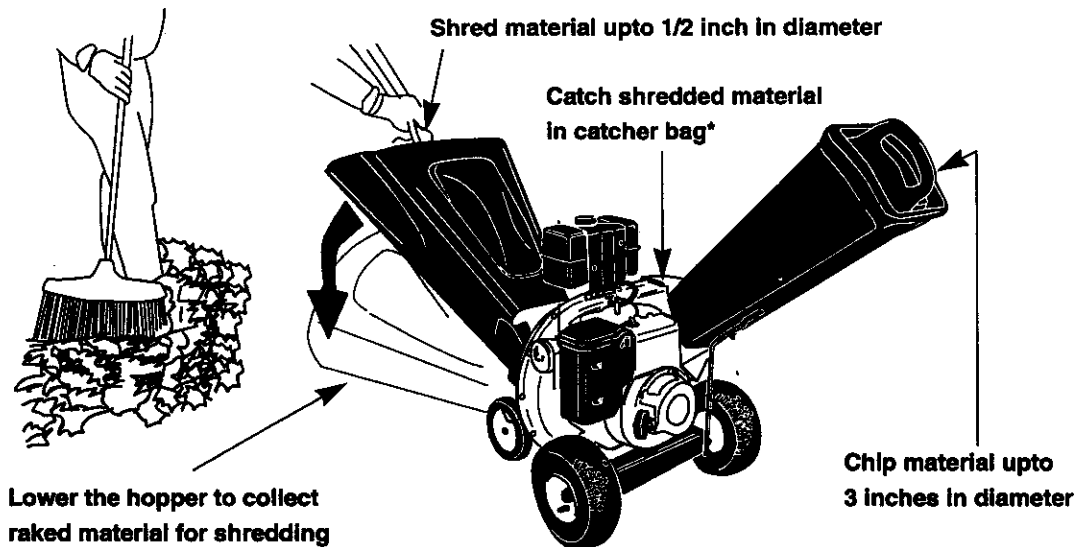
For best performance, it is important to keep the shredding blade and the chipper blades sharp. If the composition of the material being discharged

changes (becomes stringy, etc.) or if the rate at which the material is discharged slows down considerably, it is likely that the shredding blade and/or chipper blades are dull and need to be sharpened or replaced. Refer to Service and Adjustments section on page 15 of this manual.

**IMPORTANT:** There is a flail screen located inside the housing in the discharge area. If the flail screen becomes clogged, remove and clean as instructed in the Service and Adjustments section.



**WARNING:** The chipper-shredder discharges materials with considerable velocity. **Keep away** from the area around the discharge chute. Make sure that the **rubber flaps** inside the hopper are **not** tucked under the bracket while operating the shredder. Always **stop the engine** and disconnect the spark plug wire when removing or attaching the bag, changing containers, or removing the shredded material. Wear safety glasses and gloves whenever using the chipper-shredder.



\* Use leaf bag for shredded leaves and chip bag for chipped branches

Figure 13

# MAINTENANCE

## General Recommendations

- Always observe safety rules when performing any maintenance.
- The warranty on this chipper shredder does not cover items that have been subjected to operator abuse or negligence. To receive full value from the warranty, operator must maintain the chipper-shredder as instructed in this manual.
- Some adjustments will need to be made periodically to maintain your unit properly.
- All adjustments in the Service and Adjustments section of this manual should be checked at least once each season.
- Follow the maintenance schedule given below.
- Periodically check all fasteners and make sure these are tight.



**WARNING:** Always stop the engine and disconnect the spark plug wire before performing any maintenance or adjustments. Never remove discharge chute till the engine has completely stopped.

## Cleaning

- Clean the chipper-shredder by running water from a hose through the hopper assembly and chipper chute with the engine running. Allow the chipper-shredder to dry thoroughly.
- Wash the bag periodically with water. Allow to dry thoroughly in the shade. Do not use heat.

## Engine Maintenance

### Engine Oil

- Only use high quality detergent oil rated with API service classification SF, SG or SH. Select the oil's viscosity grade according to your expected operating temperature. Refer to page 9 of this manual for viscosity chart.
- The four-cycle engine of your chipper-shredder will normally consume some oil. Therefore, check engine oil level regularly approximately every five hours of operation and before each usage.
- Stop engine and wait several minutes before checking oil level. With engine on level ground,

## Customer Responsibilities

MAINTENANCE SCHEDULE							SERVICE DATES						
		Before each use	After each use	Every 25 hours	Every 50 hours	Before storage							
PRODUCT	Oil pivot points				✓								
	Clean shredder		✓		✓								
ENGINE	Check engine oil	✓											
	Change engine oil				✓								
	Service air cleaner			✓									
	Clean engine			✓		✓							
	Check spark plug				✓	✓							
	Clean muffler				✓								

✓ Check and service if necessary

- the oil must be to FULL mark on dipstick.
- Change engine oil every 50 hours of operation under normal operating conditions. Change oil every 25 hours when operating under heavy load or in high temperatures.

### To Drain Oil

Drain oil while engine is warm. Follow instructions given below.

- Remove oil drain plug. Catch oil in a suitable container.
- When engine is drained of all oil, replace drain plug securely.
- Refill with fresh oil. Refer to GAS AND OIL FILL-UP section on page 9.
- Replace dipstick.

### Air Cleaner

The air cleaner prevents damaging dirt, dust, etc., from entering the carburetor and being forced into the engine and is important to engine life and performance. For location of air cleaner, see Figure 14 inset.

### To Service Air Cleaner:

Service air cleaner cartridge every 25 hours of operation or every season, whichever comes earlier. Service more often if you operate the chipper-shredder under extremely dusty conditions.

- Remove two hex screws and cover holding the air cleaner cartridge in place. Remove air cleaner assembly from inside the cover and disassemble. See Figure 14.

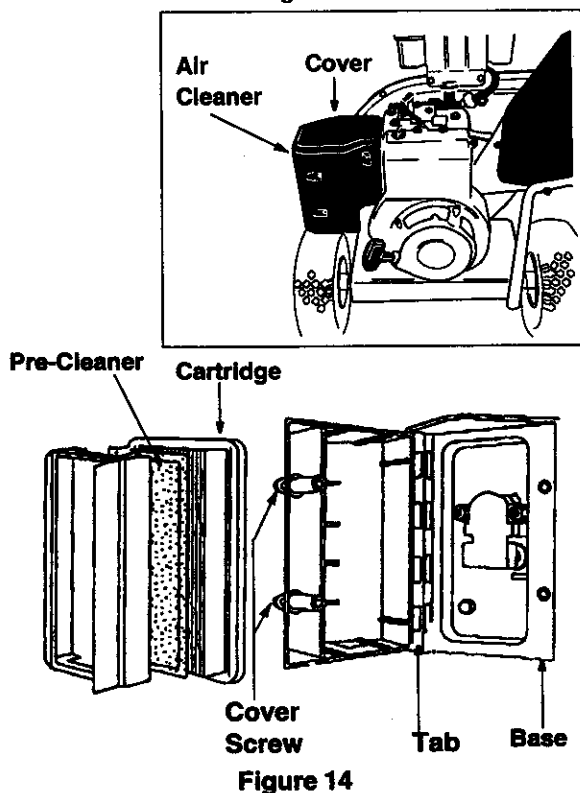


Figure 14

- Wash pre-cleaner, if so equipped, in liquid detergent and water. Squeeze dry with a clean cloth. Saturate in engine oil, then squeeze in clean, absorbent cloth to remove all of the excess oil. Replace the pre-cleaner if it is very dirty or damaged.
- To service cartridge, clean by tapping gently on a flat surface. *Do not use* any oil, petroleum solvents like kerosene, or pressurized air to clean cartridge. Replace if the cartridge is very dirty or damaged.
- Reassemble first the retainer on pre-cleaner and cartridge and then the cartridge assembly inside the cover. Insert tabs on cover into slots in base and tighten the two screws earlier removed.

### Clean Engine

- Clean engine periodically. Remove dirt and debris with a cloth or brush.
- Frequently remove grass clippings, dirt and debris from cooling fins, air intake screen and levers and linkage. This will help ensure adequate cooling and correct engine speed. See Figure 15.

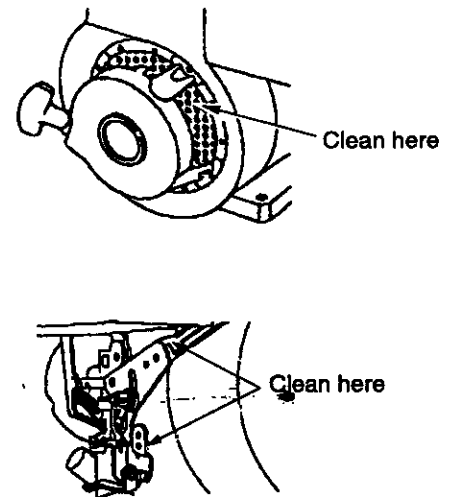


Figure 15

- Yearly or every 25 hours, whichever occurs first, remove the blower housing and clean the areas shown in Figure 15 to avoid overspeeding, overheating and engine damage. Clean more often if necessary.

**NOTE:** *Cleaning with a forceful spray of water is not recommended as water could contaminate the fuel system.*

- Remove combustion deposits every 100 hours of operation. Remove the cylinder head, scrape and wire brush such deposits from cylinder

head, top of piston and around valves. Use a soft brush to remove the deposits.

- Reassemble gasket and cylinder head. Turn screws down finger-tight. Torque cylinder head screws in a staggered sequence to 165 in.-lbs.



**WARNING:** Temperature of muffler and nearby areas may exceed 150° F(65°C). Avoid these areas.

### Spark Plug

- Clean the spark plug and reset the gap to .030" at least once a season or every 50 hours of operation. See Figure 16. Spark plug replacement is recommended at the start of each season. Refer to engine parts list for correct spark plug type.

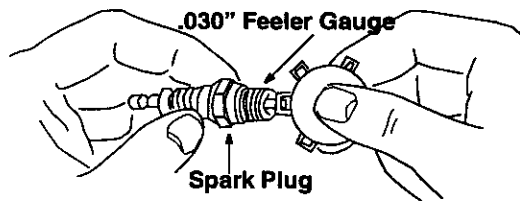


Figure 16

**NOTE:** Do not sandblast spark plug. Spark plug should be cleaned by scraping or wire brushing and washing with a commercial solvent.

### Muffler



**WARNING:** Do not operate the chipper-shredder without a muffler, or tamper with the exhaust system. Damaged mufflers or spark arresters could create a fire hazard.

- Inspect periodically, and replace if necessary. If your engine is equipped with a spark arrester screen assembly, remove every 50 hours for cleaning and inspection. Replace if damaged.



**WARNING:** Always stop engine, disconnect spark plug wire, and move it away from spark plug before performing any adjustments or repairs.

### Lubrication

Lubricate the pivot points on the release bar, hopper assembly, chute deflector and chipper chute once a season using a light oil. See Figure 17.

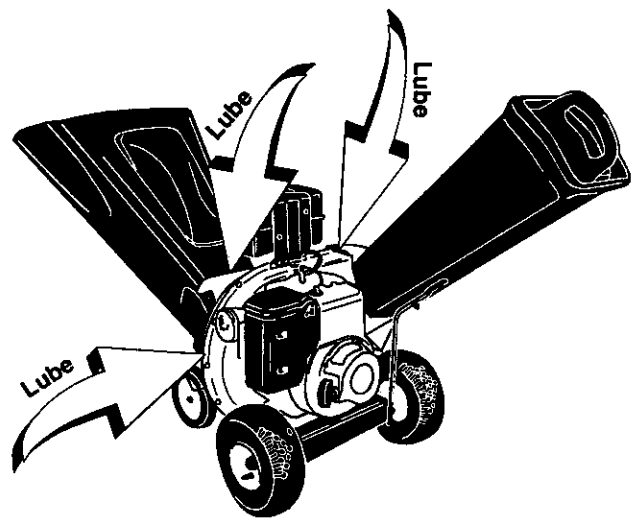


Figure 17

# SERVICE & ADJUSTMENTS

## Removing Flail Screen

If the discharge area becomes clogged, remove the flail screen and clean area as follows.

- Stop engine, make certain the chipper-shredder has come to a complete stop and disconnect spark plug wire from the spark plug before unclogging the chute.
- Remove the two hand knobs on each side of the discharge chute (also called the chute deflector).
- Lift the discharge chute up, and keep it out of the way.
- Remove two hex bolts which extend through the housing. See Figure 18.
- Pull the flail screen from inside the housing. See Figure 18.
- Clean the screen by scraping or washing with water.
- Reinstall the screen.
- Put the discharge chute back to its original position and tighten the hand knobs.

**NOTE:** Be certain to reassemble the flail screen with the curved side down.

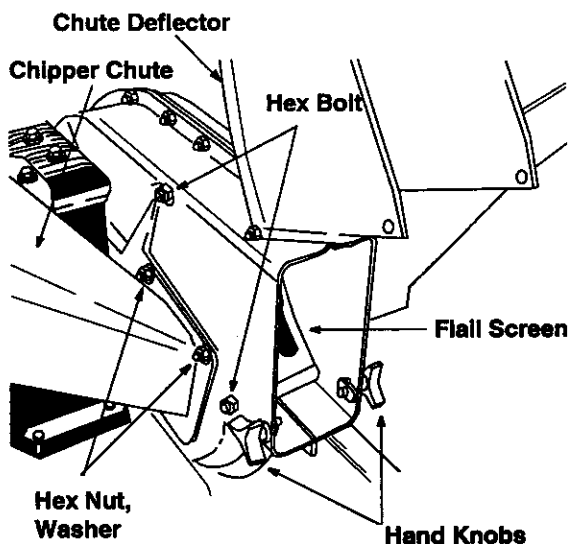


Figure 18

## Sharpening Or Replacing Blades

### Chipper Blades

- Disconnect spark plug wire and move it away from spark plug.
- Remove the flail screen as instructed.
- Using a 1/2" wrench, remove the chipper chute

by removing three pairs of hex nut and cupped washer.

- Holding the chute to the frame, remove the hex bolts that secure the brace to the frame. Remove the brace. You will need a 7/16" wrench for this.
- Rotate the impeller assembly by hand until you locate one of the two chipper blades in the chipper chute opening. Remove the blade, using a 3/16" allen wrench on the outside of the blade and 1/2" wrench on the impeller assembly (inside the housing). See Figure 19.

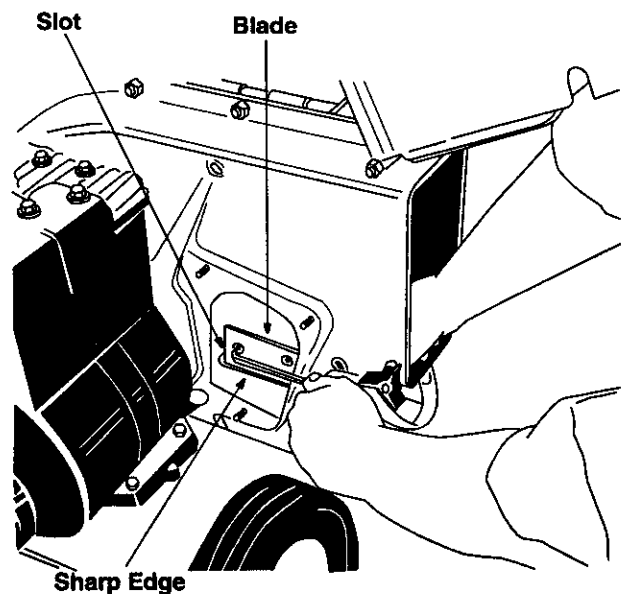


Figure 19

- Remove the other blade in the same manner.
- Replace or sharpen blades.
- If sharpening, make certain to remove an equal amount from each blade.
- Reassemble in reverse order. Make certain blades are reassembled with the sharp edge facing the direction shown in Figure 19 (sharp edge is assembled toward the slotted opening at the bottom).
- Torque bolts and nuts to 250-300 inch-pounds.

### Shredding Blade

The shredding blade may be removed for sharpening or replacement as follows.

- Disconnect spark plug wire and move it away from spark plug.
- Lower the hopper assembly. Block up the housing. See Figure 20.

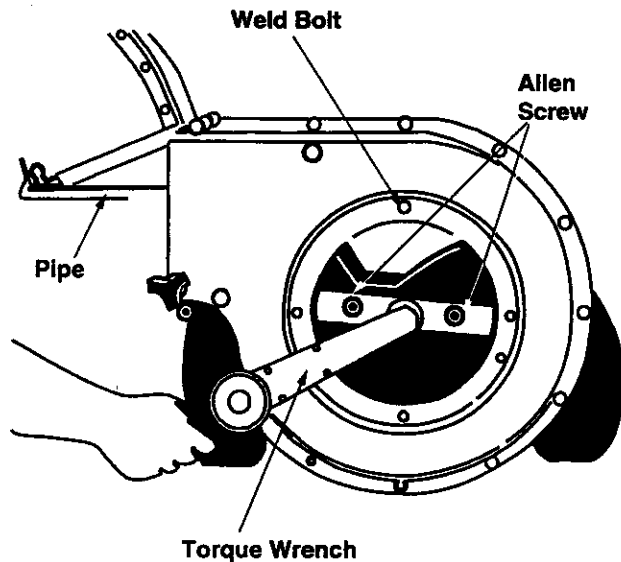


Figure 20

- Remove the six hex lock nuts and lock washers from the housing weld bolts using a 1/2" wrench. Separate the chipper-shredder into two halves.
- Remove the back-up plate.

**NOTE:** When reassembling, make certain the embossed tab faces inward towards the impeller, and opening on the back-up plate is toward the bottom of the unit.

- Remove the two hand knobs and cupped washers which secure the chute deflector. Raise the chute deflector.
- Insert a 1/2" or 3/4" diameter pipe through the flail screen into the impeller to keep it from turning, or remove the flail screen and insert a piece of wood (2 x 4) into the chute opening.
- Remove the two outside screws on the blade, using a 3/16" allen wrench and a 1/2" wrench.
- Remove the blade by removing the center bolt, lock washer and flat washer.



**WARNING:** Use caution when removing the blade to avoid contacting the weld bolts on the housing.

- When sharpening the blade, follow the original angle of grind as a guide. It is extremely important that each cutting edge receives an equal amount of grinding to prevent an unbalanced blade.
- An unbalanced blade will cause excessive vibration when rotating at high speeds and may cause damage to the unit. The blade can be tested for balance by balancing it on a round shaft screwdriver or nail. Remove metal from the heavy side until it is balanced evenly. See Figure 21.

- When reassembling the blade, tighten center bolt to between 550-700 inch-pounds and the two outer bolts to 250-300 inch-pounds, or lacking torque wrench, tighten securely.

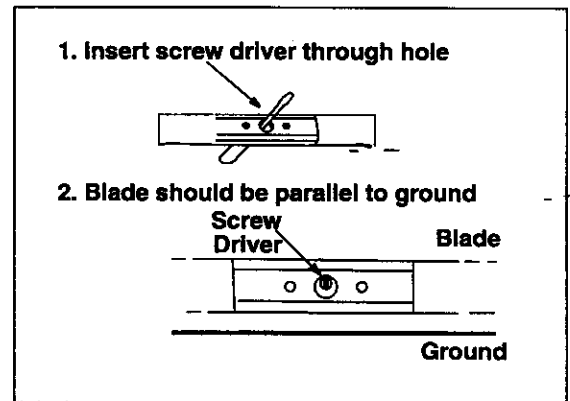


Figure 21

## Adjusting Carburetor



**WARNING:** If any adjustments are made to the engine while the engine is running (e.g. carburetor), keep clear of all moving parts. Be careful of heated surfaces and muffler.

Differences in fuel, temperature, altitude or load may require minor adjustments to the carburetor. This carburetor is equipped with an idle mixture valve with a limiter and an idle speed adjustment screw.

- Start engine and let it run for about 5 minutes.
- Rotate carburetor throttle lever against the idle speed screw and hold it. Turn idle speed screw to obtain 1750 rpm. See Figure 22.

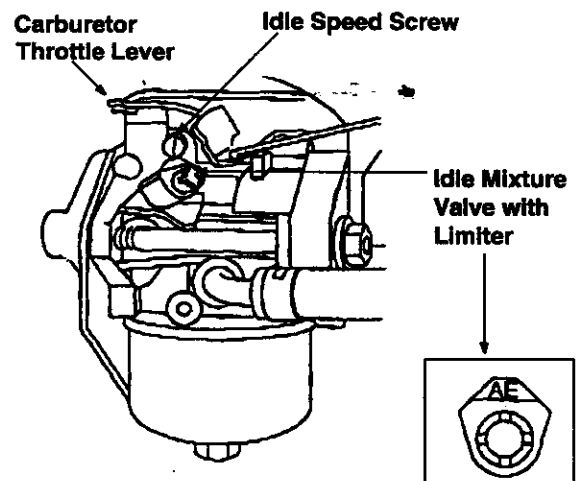


Figure 22

- Rotate idle mixture valve full travel clockwise and then counter-clockwise. Finally position idle mixture valve in middle of travel. See Figure 22.



- Check idle speed and re-adjust to 1750 rpm, if necessary.
- Engine should accelerate smoothly. If it does not, adjust idle mixture valve counter-clockwise 1/8 turn.



**WARNING:** Air cleaner and its cover must be assembled to the carburetor before starting the engine.

## Adjusting Engine Speed

The engine speed on your chipper-shredder has been set at the factory. Do not attempt to increase engine speed or it may result in personal injury. If you believe the engine is running too fast or too slow, take your chipper-shredder to the nearest SEARS service center for repair and adjustment.

## Tires

Recommended operating tire pressure is 24 p.s.i. (sidewall of tire may give tire manufacturer's recommended pressure). Equal tire pressure should be maintained on both tires.



**WARNING:** Excessive pressure when seating beads may cause tire/rim assembly to burst with force sufficient to cause serious injury.

## Replacing Fuel Filter

- Drain the gasoline tank by running the engine till it runs out of gasoline.
- Using a set of pliers, squeeze and unclamp the fuel line hose. Remove the old filter. See Figure 23.
- Replace with a new filter and reclamp.

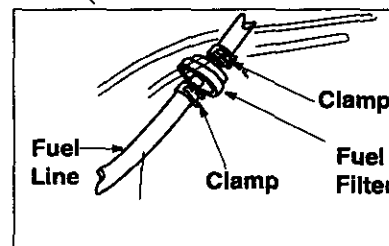
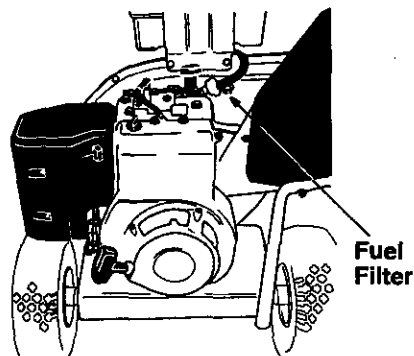


Figure 23

# STORAGE

Prepare your chipper-shredder for storage at the end of the season or if the unit will not be used for 30 days or more.



**WARNING:** Never store machine with fuel in the fuel tank inside of building **where fumes may reach an open flame or spark**, or where ignition sources are present such as hot water and space heaters, furnaces, clothes dryers, stoves, electric motors, etc.

A yearly check-up by your local Sears service center is a good way to make certain your chipper-shredder will provide maximum performance for the next season.

## Chipper-Shredder

- Clean the chipper-shredder thoroughly.
- Wipe unit with an oiled rag to prevent rust (use a light oil or silicone).

## Engine

**IMPORTANT:** It is important to prevent gum deposits from forming in essential fuel system parts such as carburetor, fuel filter, fuel hose, or tank during storage. Also, experience indicates that alcohol blended fuels (called gasohol or using ethanol or methanol) can attract moisture which leads to separation and formation of acids during storage. Acidic gas can damage the fuel system of an engine while in storage.

- Drain the fuel tank.
- Start the engine and let it run until the fuel lines and carburetor are empty.
- Drain carburetor .
- Never use engine or carburetor cleaner products in the fuel tank or permanent damage

may occur.

- Use fresh fuel next season.

**NOTE:** *Fuel stabilizer is an acceptable alternative in minimizing the formation of fuel gum deposits during storage.*

- Add stabilizer to gasoline in fuel tank or storage container.
- Always follow the mix ratio found on stabilizer container.
- Run engine at least 10 minutes after adding stabilizer to allow the stabilizer to reach the carburetor.
- Do not drain the gas tank and carburetor if using fuel stabilizer. Drain all the oil from the crankcase (this should be done after the engine has been operated and is still warm) and refill the crankcase with fresh oil.
- If you have drained the fuel tank, protect the inside of the engine as follows.
- Remove spark plug, pour approximately 1/2 ounce (approximately one tablespoon) of engine oil into cylinder and crank slowly to distribute oil.
- Replace spark plug.

## Other

- Do not store gasoline from one season to another.
- Replace your gasoline can if your can starts to rust. Rust and/or dirt in your gasoline will cause problems. Store unit in a clean, dry area. Do not store next to corrosive materials, such as fertilizer.

**NOTE:** *If storing in an unventilated or metal storage shed, be certain to rustproof the equipment by coating with a light oil or silicone.*

# TROUBLE-SHOOTING

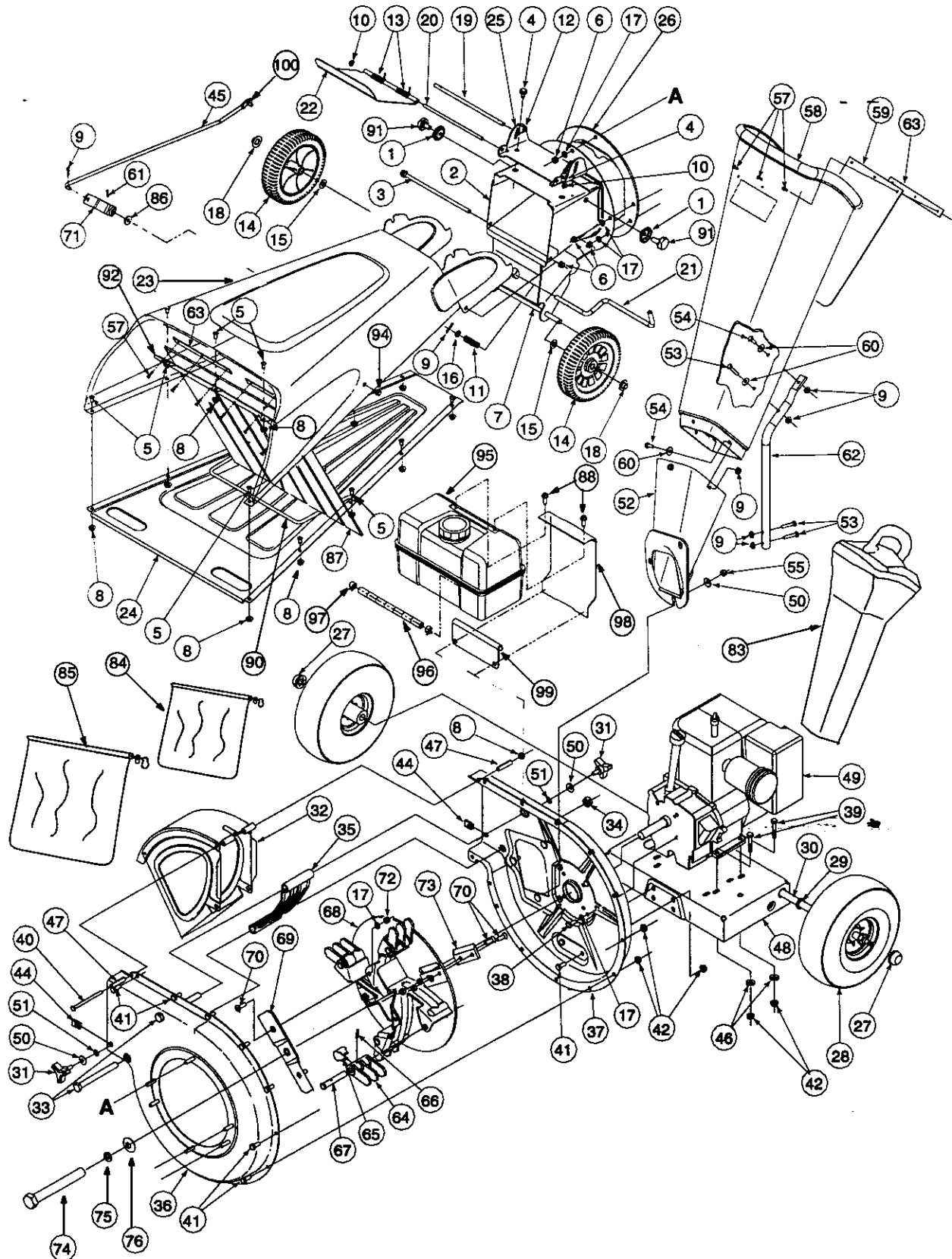
Problem	Possible Cause	Corrective Action
Engine fails to start	<ol style="list-style-type: none"> <li>1. Fuel tank empty, or stale fuel</li> <li>2. Spark plug wire disconnected</li> <li>3. Faulty spark plug</li> <li>4. Fuel shut-off valve not turned ON.</li> </ol>	<ol style="list-style-type: none"> <li>1. Fill tank with clean, fresh fuel</li> <li>2. Connect wire to spark plug.</li> <li>3. Clean, adjust gap or replace.</li> <li>4. Move valve to ON position</li> </ol>
Loss of power; operation erratic	<ol style="list-style-type: none"> <li>1. Spark plug wire loose</li> <li>2. Unit running on Choke</li> <li>3. Blocked fuel line or stale fuel</li> <li>4. Water or dirt in fuel system</li> <li>5. Carburetor out of adjustment</li> <li>6. Dirty air cleaner</li> </ol>	<ol style="list-style-type: none"> <li>1. Connect and tighten spark plug wire</li> <li>2. Move choke lever to OFF position</li> <li>3. Clean fuel line; fill tank with clean, fresh gasoline.</li> <li>4. Disconnect fuel line at carburetor to drain fuel tank. Refill with fresh fuel.</li> <li>5. Contact your SEARS service center.</li> <li>6. Service air cleaner.</li> </ol>
Engine overheats	<ol style="list-style-type: none"> <li>1. Carburetor not adjusted properly</li> <li>2. Engine oil level low</li> </ol>	<ol style="list-style-type: none"> <li>1. Contact your SEARS service center</li> <li>2. Fill crankcase with proper oil</li> </ol>
Too much vibration	<ol style="list-style-type: none"> <li>1. Loose parts or damaged impeller</li> </ol>	<ol style="list-style-type: none"> <li>1. Stop engine immediately and disconnect spark plug wire. Tighten all bolts and nuts. Make all necessary repairs. If vibration continues, have unit serviced by a SEARS service center.</li> </ol>
Unit does not discharge	<ol style="list-style-type: none"> <li>1. Discharge chute clogged</li> <li>2. Foreign object lodged in impeller</li> </ol>	<ol style="list-style-type: none"> <li>1. Stop engine immediately and disconnect spark plug wire. clean flail screen and inside of blower housing.</li> <li>2. Stop engine immediately and disconnect spark plug wire. Remove lodged object.</li> </ol>
Rate of discharge slows considerably or composition of discharged material changes	<ol style="list-style-type: none"> <li>1. Shredding blade and/or chipping blade dull</li> </ol>	<ol style="list-style-type: none"> <li>1. Sharpen or replace blade(s)</li> </ol>



For repairs beyond the minor adjustments listed above, please contact your nearest SEARS service center.

# PARTS LIST

CRAFTSMAN 10 H.P. CHIPPER SHREDDER MODEL 247.775890

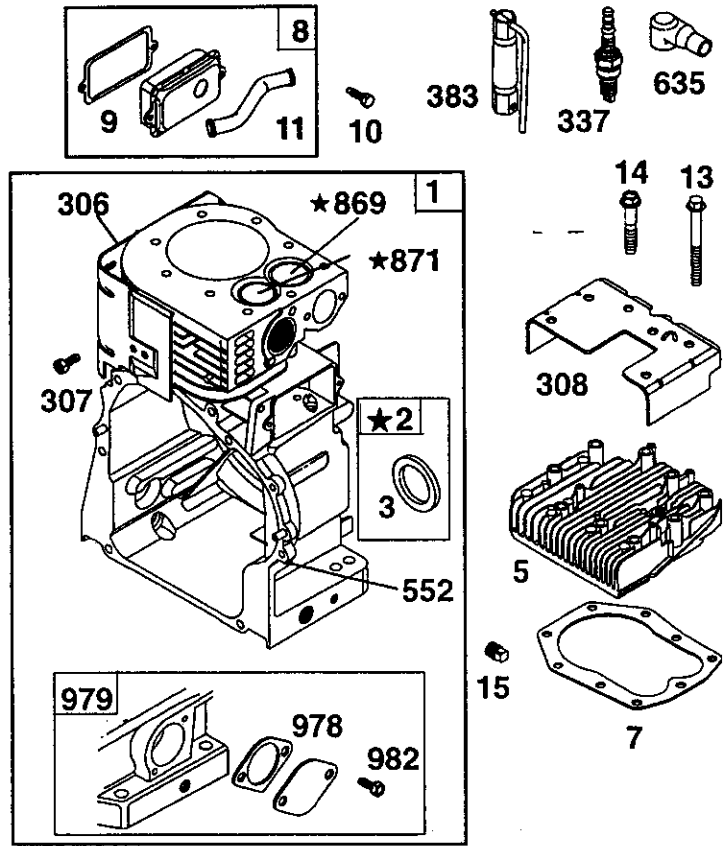


## CRAFTSMAN 10 H.P. CHIPPER SHREDDER MODEL 247.775890

Key No.	Part No.	Description	Key No.	Part No.	Description
—	770-0819A	Owner's Manual	45	747-1124	Flap Control Rod
1	11480	Stop Washer	46	736-0170	Bell Washer
2	681-0118	Inlet Guide Assembly	47	750-0793	Hinge Spacer: Chute
3	710-0542	Hex Washer Hd. Screw 5/16-18 x 8.38"	48	781-0459B	Shredder Frame
4	710-0607	TL Hex Screw 5/16-18 x 0.5"	49	194G432-1182-E1	Engine
5	710-3256	Button Head Screw	50	736-0242	Belleville Washer - -
6	712-0429	Hex Lock Nut 5/16-18	51	726-0201	Speed Nut
7	711-1304	Axle Shaft	52	681-0068	Chipper Chute Assembly: Weldment
8	712-3027	Hex Lock Flanged Nut 1/4-20	53	710-0106	Hex Bolt 1/4-20 x 1.25" Gr. 5
9	714-0104	Internal Cotter Pin	54	710-0751	Hex Bolt 1/4-20 x .625
10	726-0106	Cap Nut	55	712-3010	Hex Nut 5/16-18
11	732-0306	Compression Spring	57	728-0175	Rivet
12	732-0546	Torsion Spring	58	731-1899	Chipper Chute
13	732-0629	Hopper Door Spring	59	735-0249	Chute Flap
14	734-1797	Complete Wheel: Grey	60	736-0173	Flat Washer
15	736-0160	Flat Washer	61	715-0129	Spiral Pin
16	736-0117	Flat Washer	62	749-1024	Chute Support
17	736-0119	Lock Washer	63	781-0633	Chute Flap Strip
18	726-0299	Push Cap	64	719-0329	Flail Blade
19	747-0531A	Rod: 5/16 Dia.	65	781-0735	Retaining Clip
20	747-0747	Hopper Door Rod	66	715-0166	Spring Roll Pin
21	747-0982	Lock Rod	67	711-0833B	Clevis Pin
22	781-0492A	Hopper Door Pivot	68	681-0146	Impeller Assembly
23	781-0754-0689	Upper Hopper: Polo Green	69	742-0571	Shredder Blade
24	781-0755-0689	Lower Hopper: Polo Green	70	710-1054	Flat Hd. Scr. 5/16-24 x .75"
25	781-0698	Hopper Lock Bracket	71	681-0144	Arm Bracket Assembly
26	781-0715	Shredder Plate	72	712-0411	Hex Top Lock Nut
27	726-0214	Push Cap	73	742-0653	Chipper Blade
28	734-1845	Complete Wheel Grey	74	710-1254	Hex Patch Bolt 3/8-24 X 2.25" Gr. 8
29	736-0366	Flat Washer: 5/8 I.D.	75	736-0217	Lock Washer
30	738-0813	Shredder Axle	76	736-0247	Flat Washer
31	681-0048	Knob Assembly	83	731-1617	Tamper Plug
32	681-0094-0689	Discharge Chute Assembly: Polo Green	84	764-0501	Chip Bag
33	710-0382	Hex Bolt 1/2-13 X 5" Gr. 5	85	764-0502	Leaf Bag
34	712-0384	Hex Center Lock Nut 1/2-13	86	735-0127	Rubber Washer
35	781-0457	Shredder Screen	87	735-0651	Rubber Flap
36	681-0004A-0689	Outer Flail Housing Assembly	88	751B094095	Screw (included in #95 assembly)
37	681-0117-0689	Inner Flail Housing Assembly	90	747-1125	Flap Retaining Bail
38	710-0157	Hex Bolt 5/16-24 X 0.75" Gr. 5	91	738-0946	Shoulder Screw
39	710-3180	Hex Bolt 5/16-18 X 1.75" Gr. 5	92	781-0752	Hopper Flap Mounting Bracket
40	710-0825	Hex Screw 1/4-20 X 3.75"	94	726-0135	Speed Cap Nut
41	710-3008	Hex Bolt 5/16-18 X 0.75"	95	751B493342	Fuel tank
42	712-3004A	Hex Lock Flange Nut 5/16-18 Gr. 5	96	751-0535	Fuel Line Hose
44	726-0211	U Nut 5/16-18	97	726-0205	Hose Clamp
			98	781-0497	Mounting Bracket
			99	781-0498	Support Bracket
			100	738-0137A	Shoulder Screw

**CRAFTSMAN 10 H.P. ENGINE MODEL NO. 19G432-1182-E1 FOR CHIPPER SHREDDER  
MODEL NO. 247.775890**

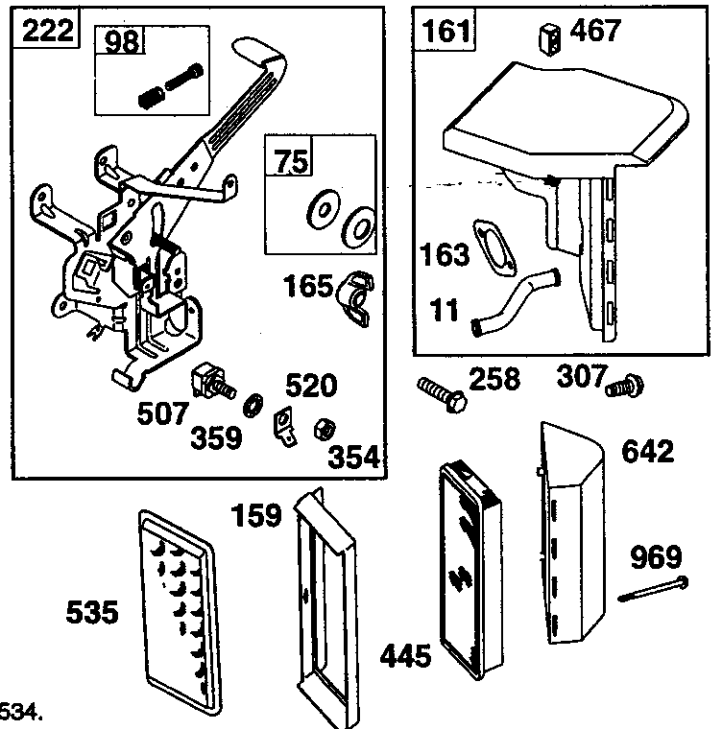
Key No.	Part No.	Description
1	495631	Cylinder Assembly
2	495657	Bushing
3	*391086	Seal-Oil
5	214347	Head-Cylinder
7	∅*272163	Gasket-Cylinder Head
8	498038	Breather Assembly
9	∅*27803	Gasket-Breather
10	94621	Screw-Breather Mtg.
11	280819	Tube-Breather
13	94565	Screw-Cylinder Head (3 9/16" Long)
14	94622	Screw-Cylinder Head (3" Long)
15	94239	Plug-Oil
306	496797	Shield-Cylinder
307	94930	Screw-Hex.
308	225055	Cover-Cylinder
337	496018	Plug-Spark (Resistor Type)
383	89838	Wrench-Spark Plug
552	491986	Bushing-Governor Crank
635	66538	Elbow-Spark Plug
869	211661	Seat-Valve
871	261961	Guide-Exhaust Valve
		<b>Note:</b> 231218 Guide-Intake Valve
978	*271736	Gasket-Oil Guard Cover
979	494807	Cover-Oil Gard®
982	94658	Screw-Hex.
1019	495861	Label Kit
1058	273682	Owner's Manual



**★ REQUIRES SPECIAL TOOLS TO INSTALL. SEE REPAIR INSTRUCTION MANUAL.**

**1019 LABEL KIT    1058 OWNER'S MANUAL**

Key No.	Part No.	Description
11	280819	Tube-Breather
75	495659	Washer Set
98	493280	Screw-Idle Speed
159	281358	Support-Air Cleaner
161	497669	Base-Air Cleaner
163	∅*272706	Gasket-Air Cleaner
165	94692	Nut-Wing
222	499106	Bracket-Control
258	94929	Screw-Hex.
307	94930	Screw-Hex.
354	90576	Nut-Hex.
359	92791	Washer-Lock
445	496077	Filter-Air
467	280715	Knob
507	398525	Insulator
520	93722	Terminal
535	492889	Filter-Air
642	281357	Cover-Air Cleaner
969	94777	Screw-Slotted Hex.

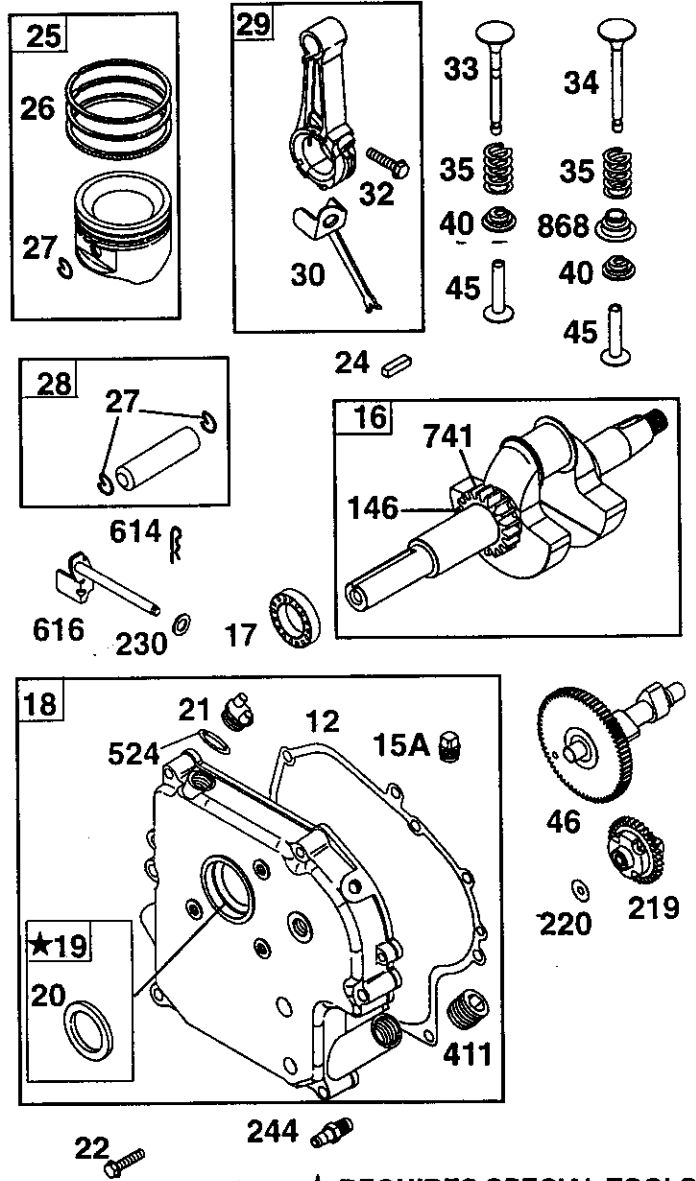


★ Included in Gasket Set-Part No. 497070.  
∅ Included in Valve Overhaul Gasket Set-Part No. 498534.

**CRAFTSMAN 10 H.P. ENGINE MODEL NO. 19G432-1182-E1 FOR CHIPPER SHREDDER MODEL NO. 247.775890**

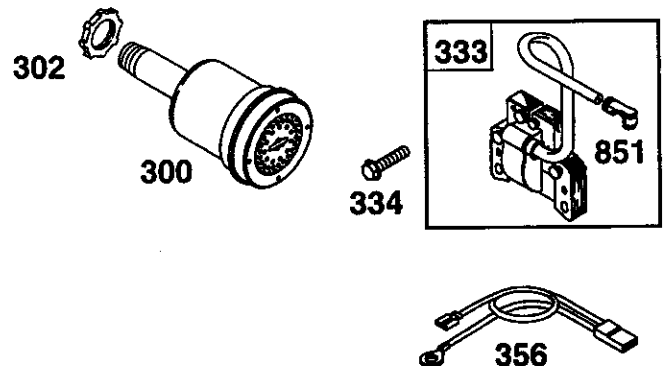
Key No.	Part No.	Description
12	★271701	Gasket-Crankcase (.015" Thick, Std.)
	★27876	Gasket-Crankcase (.005" Thick)
	★27877	Gasket-Crankcase (.009" Thick)
15A	91488	Plug-Oil
16	495866	Crankshaft
17	29530	Bearing-Ball
18	496981	Cover-Crankcase
19	295964	Bushing
20	★391086	Seal-Oil
21	281658	Cap-Oil Fill
22	93585	Screw-Hex.
	94690	Screw-Hex. (In Position #1)
24	222698	Key-Flywheel
25	499907	Piston Assy. (Standard)
	499908	Piston Assy. (.010" O.S.)
	499909	Piston Assy. (.020" O.S.)
	499910	Piston Assy. (.030" O.S.)
26	499721	Ring Set (Standard)
	299743	Ring Set (Std. Chrome)
	391670	Ring Set (.010" O.S.)
	391671	Ring Set (.020" O.S.)
	391672	Ring Set (.030" O.S.)
27	263181	Lock-Piston Pin
28	499911	Pin-Piston (Std.)
	499920	Pin-Piston (.005" O.S.)
29	390401	Rod-Connecting (Standard)
	390773	Rod-Connecting (.020" U.S.)
30	222113	Dipper-Connecting Rod
32	94670	Screw-Connecting Rod
33	263017	Valve-Exhaust
34	261055	Valve-Intake
35	65906	Spring-Valve
40	221596	Retainer-Spring
45	260933	Tappet-Valve
46	214786	Gear-Cam
146	94388	Key-Timing
219	497037	Gear-Governor
220	221551	Washer-Thrust
230	94927	Washer-Gov. Crank
244	230318	Connector-Hose
411	94802	Plug
524	281370	Seal-Fill Plug
614	93306	Pin-Cotter
616	496818	Crank-Governor
741	263025	Gear-Timing
868	497656	Seal-Valve

★ Included in Gasket Set-Part No. 497070.



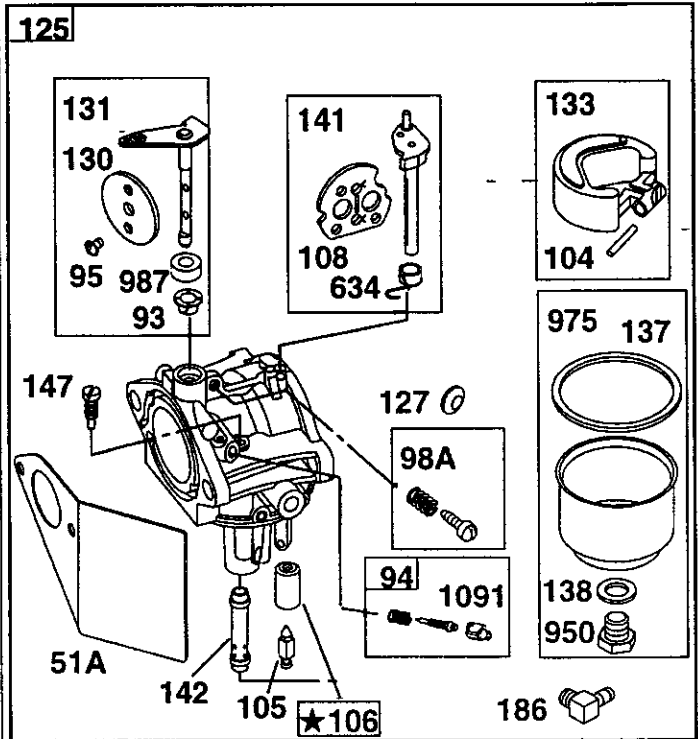
★ REQUIRES SPECIAL TOOLS TO INSTALL. SEE REPAIR INSTRUCTION MANUAL.

Key No.	Part No.	Description
300	496127	Muffler-Exhaust
302	261409	Locknut-Muffler
333	398811	Armature-Magneto
334	94731	Screw-Hex.
356	491391	Wire-Ground
851	493880	Terminal-Ignition Cable

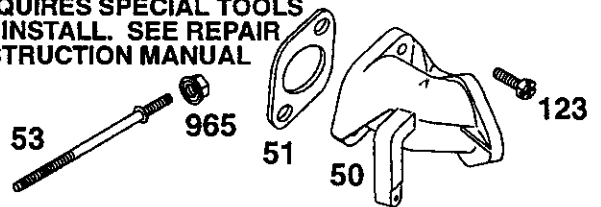


**CRAFTSMAN 10 H.P. ENGINE MODEL NO. 19G432-1182-E1 FOR CHIPPER SHREDDER MODEL NO. 247.775890**

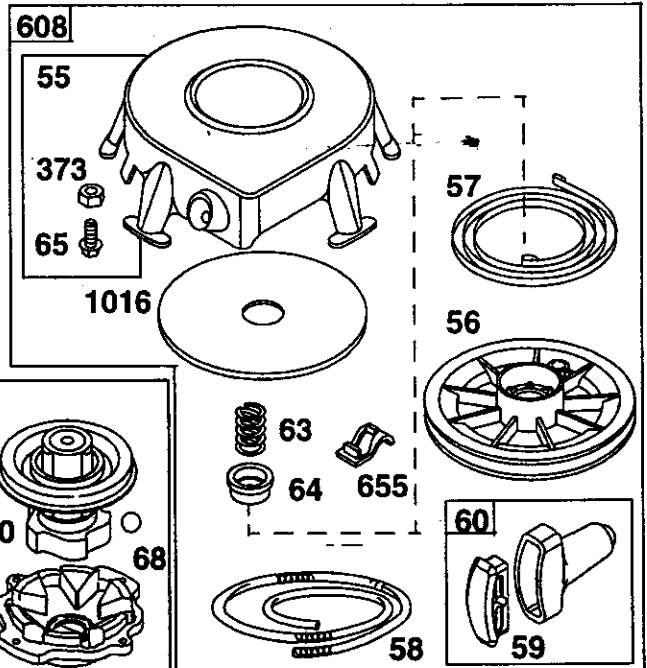
Key No.	Part No.	Description
50	214170	Manifold-Intake
51	∅272707	Gasket-Intake
51A	♦272708	Gasket-Intake
53	94778	Stud-Carb. Mounting
93	Δ281346	Bushing-Throttle Shaft
94	498836	Valve-Idle Adjust
95	Δ94098	Screw-Round Head
98A	495800	Screw-Idle Speed
104	Δ231789	Pin-Float Hinge
105	Δ231935	Valve-Needle
106	Δ231856	Seat-Inlet
108	224666	Valve-Choke
123	94913	Screw-Torx®Hex.
125	499029	Carburetor
127	Δ	Plug-Welch (Sold in Kit Only)
130	224539	Valve-Throttle
131	497846	Shaft-Throttle
133	494381	Float-Carburetor
137	♦Δ281165	Gasket-Float Bowl
138	♦Δ281164	Washer
141	497160	Shaft-Choke
142	Δ498716	Nozzle-Carburetor (Std.)
	499032	Nozzle-Carburetor (High Alt.)
147	232086	Jet-Pilot
186	493496	Connector-Hose
634	Δ494455	Seal-Spring Assembly
950	94642	Screw-Bowl Mounting
965	94010	Nut-Hex.
975	495933	Bowl Assembly-Carburetor
987	Δ281166	Seal-Throttle Shaft
1091	281364	Cap-Limiter



★ REQUIRES SPECIAL TOOLS TO INSTALL. SEE REPAIR INSTRUCTION MANUAL



Key No.	Part No.	Description
55	393576	Housing-Rewind Starter
56	295871	Pulley-Starter
57	490179	Spring-Rewind Starter
58	66894	Rope-Starter (63" Long)
59	490653	Insert-Grip
60	490652	Grip-Starter Rope
63	260414	Spring-Ratchet
64	281204	Adapter-Spring
65	94904	Screw-Hex.
66	399671	Clutch-Starter
67	394897	Housing-Clutch
68	63770	Ball-Clutch
70	298799	Ratchet-Clutch
71	394506	Cover-Ratchet
373	94908	Nut-Hex.
608	390391	Starter Assy.-Rewind
655	222598	Anchor-Rewind Spring
1016	490817	Spacer-Rewind

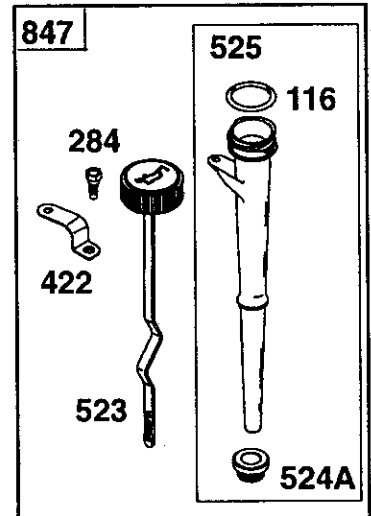
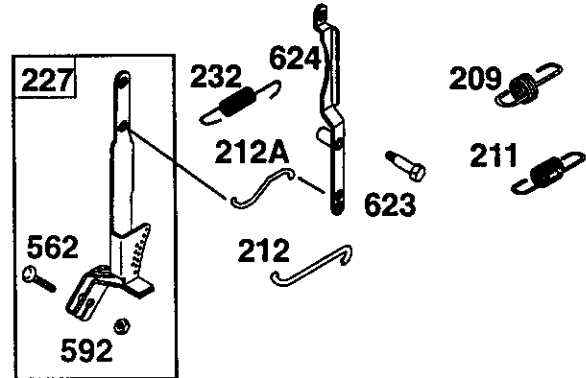


- ★ Included in Gasket Set-Part No. 497070.
- ∅ Included in Valve Overhaul Gasket Set-Part No. 498534.
- ♦ Included in Carburetor Gasket Set-Part No. 497069.
- Δ Included in Carburetor Kit-Part No. 497849.

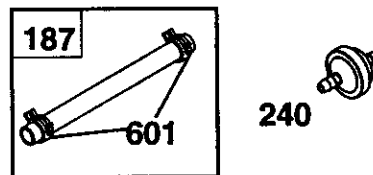
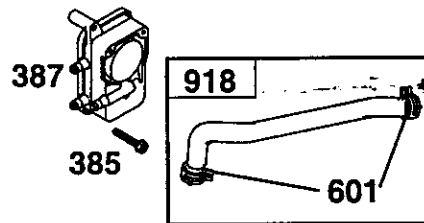


**CRAFTSMAN 10 H.P. ENGINE MODEL NO. 19G432-1182-E1 FOR CHIPPER SHREDDER MODEL NO. 247.775890**

Key No.	Part No.	Description
116	★270920	Seal-O-Ring
209	263212	Spring-Governor
211	263182	Spring-Governor Idle
212	263051	Link-Throttle
212A	263049	Link-Throttle
227	499096	Lever-Governor
232	263020	Spring-Link
284	94984	Screw-Shoulder
422	225218	Bracket-Oil Fill
523	495225	Dipstick
524A	★281370	Seal-Fill Tube
525	495347	Tube-Oil Fill
562	94907	Bolt-Governor Lever
592	281978	Nut-Hex.
623	231520	Screw-Shoulder
624	497207	Lever-Linkage
847	399901	Dipstick/Tube Assembly



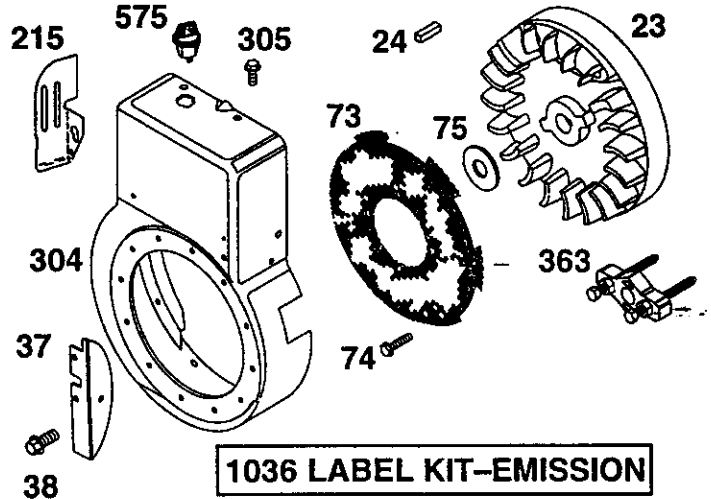
Key No.	Part No.	Description
187	280149	Line-Fuel (Cut to Required Length)
240	394358	Filter-Fuel
385	94789	Screw-Hex.
387	496257	Pump-Fuel
601	93053	Clamp-Hose (Green)
918	497457	Hose-Vacuum



★ Included in Gasket Set-Part No. 497070.

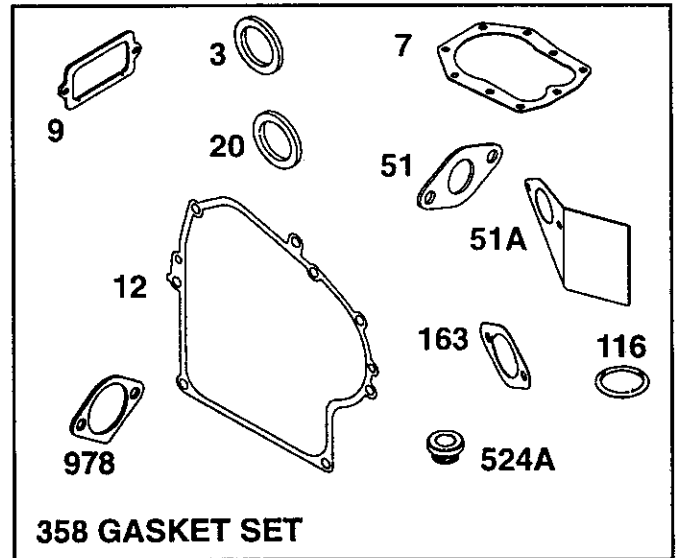
**CRAFTSMAN 10 H.P. ENGINE MODEL NO. 19G432-1182-E1 FOR CHIPPER SHREDDER  
MODEL NO. 247.775890**

Key No.	Part No.	Description
23	298260	Flywheel
24	222698	Key-Flywheel
37	222475	Guard-Flywheel
38	94811	Screw-Hex.
73	224874	Screen-Rotating
74	94680	Screw-Hex.
75	225136	Washer-Flywheel
215	221760	Guide-Air
304	491596	Housing-Blower
305	94786	Screw-Hex.
363	19069	Puller-Flywheel
575	396691	Switch-Rotary
1036	499354	Label Kit-Emission

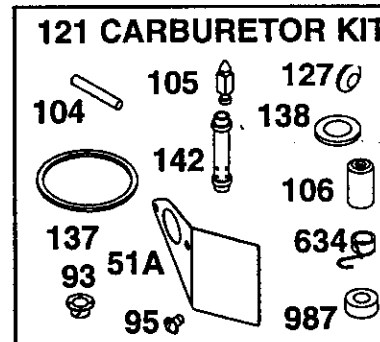


**1036 LABEL KIT-EMISSION**

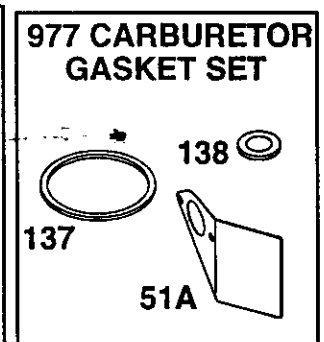
Key No.	Part No.	Description
3	*391086	Seal-Oil
7	∅*272163	Gasket-Cylinder Head
9	∅*27803	Gasket-Valve Cover
12	*271701	Gasket-Crankcase (.015" Thick, Std.)
	*27876	Gasket-Crankcase (.005" Thick)
	*27877	Gasket-Crankcase (.009" Thick)
20	*391086	Seal-Oil
51	∅*272707	Gasket-Intake
51A	*272708	Gasket-Intake
93	Δ281346	Bushing-Throttle Shaft
95	Δ94098	Screw-Round Head
104	Δ231789	Pin-Float Hinge
105	Δ231935	Valve-Needle
106	Δ231856	Seat-Inlet
116	*270920	Seal-O-Ring
121	497849	Carburetor Kit
127	Δ	Plug-Weich (Sold in Kit Only)
137	Δ*281165	Gasket-Bowl (Sold in Kit)
138	Δ*281164	Washer
142	Δ498716	Nozzle-Carburetor (Std.)
163	∅*272706	Gasket-Air Cleaner
358	497070	Gasket Set
524A	*281370	Seal-Fill Tube
634	Δ494455	Seal-Spring Assembly
977	497069	Gasket Set-Carburetor
978	*271736	Gasket-Oil Guard Cover
1095	498534	Gasket Set-Valve Overhaul



**358 GASKET SET**



**121 CARBURETOR KIT**



**977 CARBURETOR GASKET SET**



**1095 VALVE OVERHAUL GASKET SET**

- ★ Included in Gasket Set-Part No. 497070.
- ∅ Included in Valve Overhaul Gasket Set-Part No. 498534.
- ◆ Included in Carburetor Gasket Set-Part No. 497069.
- Δ Included in Carburetor Kit-Part No. 497849.

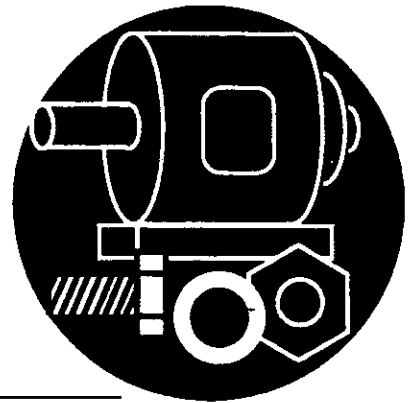


**For the repair or replacement parts you need  
delivered directly to your home**

Call 7 am - 7 pm, 7 days a week

**1-800-366-PART**

(1-800-366-7278)



**For in-home major brand repair service**

Call 24 hours a day, 7 days a week

**1-800-4-REPAIR**

(1-800-473-7247)



**For the location of a  
Sears Parts and Repair Center in your area**

Call 24 hours a day, 7 days a week

**1-800-488-1222**



**For information on purchasing a Sears  
Maintenance Agreement or to inquire  
about an existing Agreement**

call 9 am - 5 pm, Monday-Saturday

**1-800-827-6655**



**SEARS**

**REPAIR SERVICES**

*America's Repair Specialists*