

# Cuisinart®

INSTRUCTION  
BOOKLET



**Traditional Cordless Electric Kettle**

**RK-17C**

For your safety and continued enjoyment of this product, always read the instruction book carefully before using.

---

# IMPORTANT SAFEGUARDS

When using an electrical appliance, basic safety precautions should always be taken, including the following:

1. READ ALL INSTRUCTIONS.
2. Do not touch hot surfaces. Use handles and knobs.
3. To protect against fire, electric shock and injury to persons DO NOT IMMERSE CORD, PLUG OR BASE UNIT in water or other liquids.
4. Close supervision is necessary when any appliance is used by or near children.
5. Unplug from outlet when not in use and before cleaning. Allow to cool before putting on or taking off parts, and before cleaning appliance.
6. Do not operate any appliance with a damaged cord or plug, or after the appliance malfunctions or has been damaged in any manner. Return appliance to the nearest Cuisinart® Authorized Service Facility for examination, repair or adjustment.
7. The use of accessory attachments not recommended by Cuisinart may result in fire, electric shock or injury to persons.
8. Do not use outdoors.
9. Do not let power cord hang over edge of table or counter, or touch hot surfaces.
10. Do not place on or near a hot gas or electric burner, or in a heated oven.
11. Always attach the plug to the appliance first, then plug cord into wall outlet. To disconnect, push switch to "OFF", then remove plug from wall outlet.
12. Do not use appliance for other than intended use.
13. Scalding may occur if the lid is removed during the heating cycle.

# FOR HOUSEHOLD USE ONLY SAVE THESE INSTRUCTIONS

## SPECIAL CORD SET INSTRUCTIONS

A short power-supply cord is provided to reduce the risks of becoming entangled in or tripping over a longer cord.

Longer extension cords are available and may be used if care is exercised.

If a long extension cord is used, the marked electrical rating of the extension cord should be at least as great as the electrical rating of the appliance. The longer cord should be arranged so that it will not drape over the countertop or tabletop where it can be pulled on by children or tripped over. This appliance is of the grounded type: the extension cord should be a grounded type 3-wire cord.

## UNPACKING INSTRUCTIONS

Place your Cuisinart® Traditional Cordless Electric Kettle in its gift box on top of a sturdy surface. Open the gift box and remove the unit and the detachable power base. Remove each from its plastic bag. Discard the strip of paper listing features and picturing the kettle which is wrapped around the bottom of the kettle. Check that all printed materials are removed from the gift box. Save the packing materials for future shipment.

Keep all plastic bags away from children.

---

## CONTENTS

Important Safeguards .....	2
Unpacking Instructions .....	2
Introduction .....	3
Features and Benefits .....	4
Operating Instructions .....	5
Helpful Hints .....	5
Cleaning and Maintenance .....	6
Warranty .....	6

## INTRODUCTION

Your new Cuisinart® Traditional Cordless Electric Kettle combines all of the comforts of the kettle on the stove with the convenience of today's newest technology. The elegant polished stainless steel finish makes it a lovely addition to any table.

The kettle is remarkably simple to operate and maintain because it has been manufactured according to the strictest design and quality specifications. We would, however, suggest that you read the instructional material provided with this product to completely familiarize yourself with its use and care.

## ULTIMATE CONVENIENCE

Your Cuisinart® Traditional Cordless Electric Kettle may quickly become one of the most useful and utilized appliances in your kitchen. The kettle makes the simple and common kitchen task of boiling water easier, faster and more energy efficient. Water heats instantly and comes to a boil very quickly — often faster than on the stovetop. Once it reaches a boil, it shuts itself off.

### **Making Tea with your Traditional Cordless Electric Kettle**

The most traditional use for a kettle is making tea. Your Cuisinart® kettle will be a fast, easy and convenient way to make your cup of tea.

Whether using tea bags or loose tea, buy the best you can. The flavour will be only as good as the quality of the tea. Tea tastes best when made in a ceramic pot or cup.

For best results, use your Traditional Cordless Electric Kettle following the operating instructions on page 5, as well as the following tips:

1. Fill kettle with fresh, cold water.
2. Place an infuser with loose tea or tea bag(s) in your ceramic pot or cup.
3. Wait for kettle to click off, and immediately pour the boiling water onto the tea.
4. The tea should be allowed to steep for 3 to 5 minutes. The longer it steeps, the stronger it is. For iced tea, brew tea double-strength (steep twice as long) and pour over ice.
5. Stir and serve as desired.

### **Uses for your Traditional Cordless Electric Kettle**

With the Cordless Electric Kettle, you can make all your favourite hot beverages ... and much more!

Tea  
Instant coffee  
Hot chocolate  
Flavoured coffee drinks  
Hot cereal and oatmeal  
Instant soups  
Instant noodles  
Instant rice  
Instant pasta

## FEATURES AND BENEFITS

**1. 18/10 Polished Stainless Steel Construction with 13/4 Quart (1.7L) Capacity**

**2. Maximum Fill Mark**

“MAX” located inside the kettle body indicates the maximum amount of cold water to be added.

**3. Dripless Pour Spout**

With splash guard.

**4. Stay-Cool Adjustable Handle**

Ergonomically shaped for comfort. Locks into a centre upright position for pouring, and folds down to either side to make removing the lid easy.

**5. Easy Grip Lid**

For quick and easy filling.

**6. Power “On” Switch with Indicator Light**

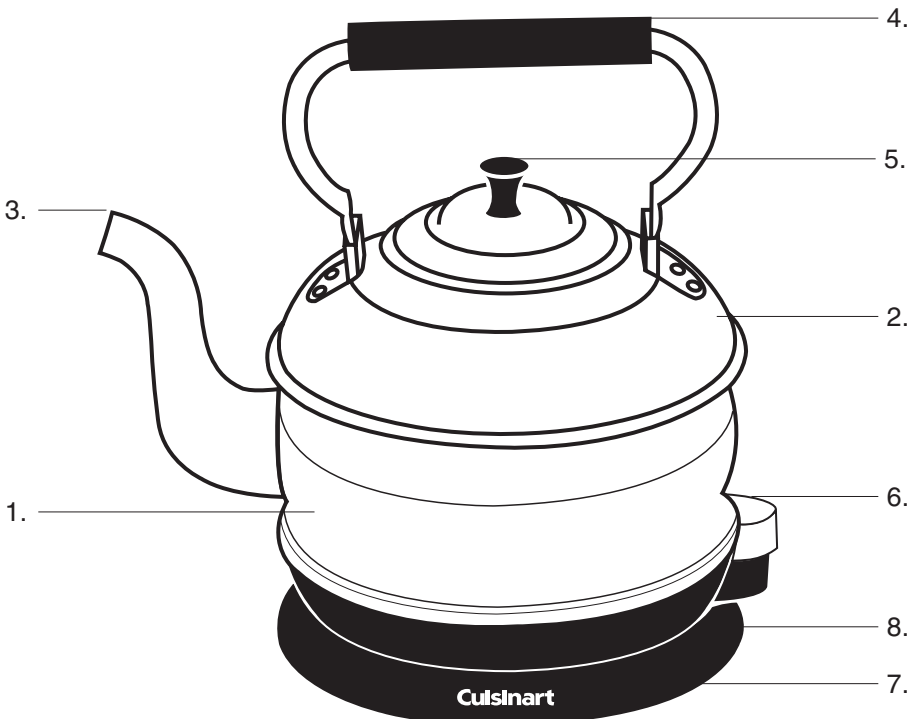
Simply depress switch (gently push down until a click is heard) to begin the boiling process. Indicator light illuminates when kettle is on. Kettle shuts off automatically once water has boiled, or when kettle is lifted from power base.

**7. Power Base**

Supplies power to kettle.

**8. Cord Wrap (under base)**

Unwind only as much as you need. Provides convenient storage.



# OPERATING INSTRUCTIONS

## BEFORE USING FOR THE FIRST TIME

Before using your Cuisinart® Traditional Cordless Electric Kettle for the first time, you should operate the kettle 2 or 3 times following the instructions below. This will remove any dust or residue remaining from the manufacturing process.

## BOILING WATER

### 1. Remove the Lid.

Place the kettle with the spout facing away from you. Gently lift off the lid.

### 2. Fill the Kettle.

Fill the kettle with as much fresh, cold water as you will need. The maximum amount of water to be used is indicated by the MAX fill level in figure 1 below.

### 3. Close the Lid.

Position kettle with spout facing away from you. Replace lid on kettle.

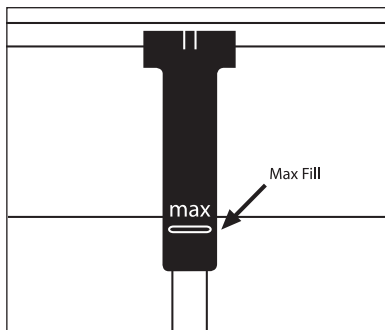


Figure 1

### 4. Place Kettle on Power Base

Place the kettle on the power base so the element on the bottom of the kettle sits securely on the power base.

### 5. Power “ON”

Depress the power ON switch by gently pushing down (see Fig. 2) until a click is heard. Switch will light up red. When the water has boiled, the kettle will automatically switch off.

**NOTE:** The kettle can be switched off at any time before the water boils, simply by lifting the kettle off the base.

### 6. Pour and Serve.

Pour water out slowly. Return kettle to base after pouring. If you wish to reboil the water, you must depress the power “ON” button again.

## HELPFUL HINTS

Always use fresh, cold water for each boiling.

If the kettle is accidentally switched on without a sufficient water level, a boil-dry mechanism will automatically switch the kettle off.

Empty kettle after each use. Do not leave water standing in the kettle.

**NOTE:** For your safety, it is recommended that the lid be placed securely on the kettle whenever kettle is in use.

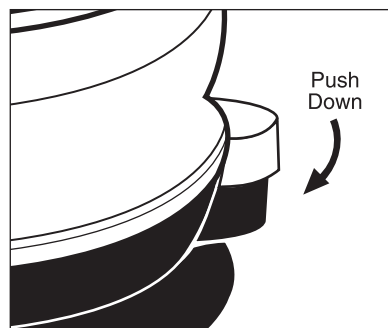


Figure 2

---

## FILTER

This kettle has a removable screen inside to prevent particles of mineral build up from entering your cup. The screen slides out for easy rinsing in the sink.

## CLEANING AND MAINTENANCE

**CAUTION: Always disconnect the kettle from electrical outlet before cleaning.**

Before cleaning, be sure the kettle is cold.

Clean the exterior surface of the kettle with a clean, damp cloth to preserve its original highly polished finish. Dry and polish with a soft cloth.

Do not use abrasive cleansers or scouring agents of any kind on the interior or exterior of the kettle.

**Do not immerse the kettle or power base in water or other liquid, and be sure that the electric kettle socket is kept dry.**

## DECALCIFICATION

Decalcification refers to removing the calcium deposits which may form in the interior metal parts of the kettle.

To get the best performance from your Cuisinart® kettle, decalcify your unit from time to time. Frequency depends on the hardness of your tap water and how often you use the kettle.

We suggest use of a kettle descaler in order to dissolve these chalky deposits or scale. Follow the directions on the descaler package. If a commercial descaler is not available, fill the kettle with enough white vinegar to cover the bottom by about 1/2" (1.25 cm). Bring the vinegar to a boil. You may need to repeat this several times with cooled vinegar to remove the calcium buildup completely. When the descaling process is complete, empty the kettle and rinse out several times with clean water.

## WARRANTY LIMITED THREE-YEAR WARRANTY

This warranty supersedes all previous warranties on this Cuisinart® product. This warranty is available to consumers only. You are a consumer if you own a Cuisinart® product that was purchased at retail for personal, family or household use. This warranty is not available to retailers or other commercial purchasers or owners.

We warrant that this Cuisinart® product will be free of defects in material or workmanship under normal home use for three years from the date of original purchase.

For warranty purposes, we would like to suggest that you register your product on-line at [www.cuisinart.ca](http://www.cuisinart.ca) to facilitate verification of the date of original purchase. However, should you not wish to register on-line we recommend the consumer to maintain original receipt indicating proof of purchase. In the event that you do not have proof of purchase date, the purchase date for purposes of this warranty will be the date of manufacture.

When calling our Authorized Service Centre for in warranty service please make reference to your model number and the manufacturing date code. This information can be found in the rating area on the body or underneath the base of your unit. The model number will follow the word Model: RK-17C. The manufacturing date code is a 4 or 5 digit number. Example, 60630 would designate year, month & day (2006, June 30th).

If your Cuisinart® product should prove to be defective within the warranty period, we will repair it or, if we think it necessary, replace it. To obtain warranty service, please call our Consumer Service Centre toll-free at 1-800-472-7606 or write to:

Cuisinart Canada  
156 Parkshore Drive  
Brampton, Ont. L6T 5M1

---

To facilitate the speed and accuracy of your return, please also enclose \$10.00 for shipping and handling of the product. Please also be sure to include a return address, description of the product defect, product serial number, and any other information pertinent to the product's return. Please pay by cheque or money order.

**NOTE:** For added protection and secure handling of any Cuisinart® product that is being returned, we recommend you use a traceable, insured delivery service.

Cuisinart cannot be held responsible for in transit damage or for packages that are not delivered to us. Lost and/or damaged products are not covered under warranty.

Your Cuisinart® product has been manufactured to strict specifications and has been designed for use with Cuisinart® authorized accessories and replacement parts for your model.

These warranties expressly exclude any defects or damages caused by accessories, replacement parts or repair service other than those that have been authorized by Cuisinart. These warranties exclude all incidental or consequential damages.

### **BEFORE RETURNING YOUR CUISINART PRODUCT**

Important: If the nonconforming product is to be serviced by someone other than Cuisinart's Authorized Service Centre, please remind the servicer to call our Consumer Service Centre to ensure that the problem is properly diagnosed, the product serviced with the correct parts, and to ensure that the product is still under warranty.

# Cuisinart®

SAVOR THE GOOD LIFE®



Coffeemakers



Food  
Processors



Toasters



Rice Cookers



Cookware



Grills

Cuisinart offers an extensive assortment of top quality products to make life in the kitchen easier than ever. Try some of our other countertop appliances and cookware, and Savour the Good Life®.

**[www.cuisinart.ca](http://www.cuisinart.ca)**

©2006 Cuisinart  
Cuisinart® is a registered  
trademark of Cuisinart

Cuisinart Canada  
156 Parkshore Drive  
Brampton, Ontario L6T 5M1

Consumer Call Centre E-mail:  
[Consumer\\_Canada@Conair.com](mailto:Consumer_Canada@Conair.com)

Printed in China

05CC25157

F IB-6228-CAN



# Cuisinart®

S A V O R   T H E   G O O D   L I F E ®



Cafetières



Robots culinaires



Grille-pain



Cuisinart à riz



Batteries de cuisine



Grils

Cuisinart offre une vaste gamme de produits de grande qualité afin de vous faciliter la vie dans la cuisine. Essayez nos autres appareils de comptoir et batteries de cuisine et Savourez la bonne vie.

[www.cuisinart.ca](http://www.cuisinart.ca)

©2006 Cuisinart

Cuisinart® est une marque de commerce enregistrée de Cuisinart

Cuisinart Canada

156, chemin Parkshore  
Brampton, Ontario L6T 5M1

Centre d'appel des consommateurs :  
Consumer\_Canada@Conair.com

Imprimé en Chine

05CC25157

F IB-6228-CAN

service après-vente au 1-800-472-7606 ou  
écrite à :

Cuisinart Canada

156, chemin Parkshore

Brampton, Ont. L6T 5M1

Afin d'accélérer le renvoi, nous vous prions de  
joindre un chèque ou mandat-poste de 10,00 \$  
pour les frais d'administration. Assurez-vous  
d'inclure une adresse de renvoi, une description du  
détail, le numéro de série du produit et tout autre  
renseignement pertinent au renvoi du produit.

**REMARQUE** : Pour plus de protection et assurer

une meilleure maintenance de tout produit

Cuisinart® que vous retournez, nous vous

recommandons de vous adresser à un service de

livraison assuré et identifiable. La maison Cuisinart

ne peut être tenue responsable des dommages

encourus lors du transport ou des envois qui ne lui

sont pas parvenus. La garantie ne couvre pas les

produits perdus et/ou endommagés.

Votre produit Cuisinart® a été fabriqué selon des

normes strictes de qualité et a été conçu pour

n'être utilisé qu'avec des accessoires et des pièces

de rechange autorisées par Cuisinart®.

Cette garantie fait expressément exclusion de

tout vice ou dommage causé par des accessoires,

pièces de rechange ou réparations effectuées par

d'autres que ceux autorisés par Cuisinart. Cette

garantie fait exclusion de tout dommage fortuit ou

indirect.

## AVANT DE RETOURNER VOTRE PRODUIT CUISINART®

Important : Si le produit défectueux doit être réparé  
ailleurs que dans un Centre de service autorisé  
par Cuisinart, veuillez rappeler au préposé de  
téléphoner à notre Centre de service client afin de  
s'assurer que le problème a été bien diagnostiqué,  
que le produit est réparé en utilisant les pièces  
approuvées et que le produit est encore couvert par  
la garantie.

piété, videz la bouilloire et rincez-la plusieurs fois avec de l'eau propre.

## GARANTIE LIMITÉE DE 3 ANS

Cette garantie annule et remplace toute garantie antérieure sur ce produit Cuisinart®. Cette garantie n'est offerte qu'aux consommateurs. Par consommation, on entend tout propriétaire d'un produit Cuisinart® acheté aux fins d'un usage personnel, familial ou ménager. Cette garantie n'est pas offerte aux détaillants ni aux acheteurs ou propriétaires de commerces.

Nous garantissons ce produit Cuisinart® contre les vices de matière et de fabrication en usage ménager normal, pour une période de trois ans à compter de la date d'achat originale.

Aux fins de cette garantie, nous vous suggérons d'inscrire votre produit en ligne à [www.cuisinart.ca](http://www.cuisinart.ca) en vue d'en faciliter la vérification de la date d'achat originale. Toutefois, si vous préférez ne pas vous inscrire en ligne, nous vous recommandons de retenir votre reçu de caisse original indiquant la date d'achat. Advenant que vous n'ayez pas de preuve de date d'achat, la date d'achat sera alors la date de manufacture, aux fins de cette garantie.

Lorsque vous téléphonez à un de nos centres de service autorisés, assurez-vous de fournir le numéro de modèle de votre appareil de même que le code de la date de fabrication. Vous trouverez cette information sur le boîtier ou sous la base de votre appareil. Le numéro de modèle est inscrit ainsi : Modèle : RK17C. Le code de la date de fabrication comporte 4 ou 5 chiffres. Par exemple : 60630, désigne l'année, le mois et le jour (2006, juin, 30)

Advenant que votre produit Cuisinart® fasse défaut au cours de la période de garantie, nous le réparons ou, si nous le jugeons nécessaire, le remplacerons sans frais. Pour obtenir un service au titre de la garantie, veuillez téléphoner à notre

## FILTRE

Cette bouilloire possède un filtre amovible à l'intérieur afin d'empêcher que des particules minérales ne se retrouvent dans votre tasse. Ce filtre se retire facilement afin de le rincer dans l'évier.

## NETTOYAGE ET ENTRETIEN

**ATTENTION : Débranchez toujours la bouilloire de la prise électrique avant de la nettoyer.**

Avant le nettoyage, assurez-vous que la bouilloire est refroidie. Nettoyez la surface extérieure avec un chiffon humide afin de préserver le fini hautement poli. Asséchez et polissez avec un chiffon doux. N'utilisez pas de détergent abrasif ou d'agent à rincer sur la surface intérieure ou extérieure de la bouilloire.

**N'immergez pas la bouilloire ni le socle alimentaire dans de l'eau ou un autre liquide, et assurez-vous que la prise sur la bouilloire est toujours sèche.**

## DÉCALCIFICATION

La décalcification consiste à enlever les dépôts de calcium qui peuvent se former sur les pièces métalliques à l'intérieur de la bouilloire. Afin d'obtenir le meilleur rendement de votre bouilloire Cuisinart®, décalcifiez-la de temps à autre. La fréquence dépend de la dureté de l'eau du robinet et la fréquence avec laquelle vous utilisez la bouilloire. Nous vous suggérons d'utiliser un détartrant de bouilloire afin de dissoudre les dépôts crayeux ou le tartre. Suivez les directives sur l'emballage du détartrant. Si vous ne trouvez pas de détartrant, remplissez la bouilloire avec une quantité suffisante de vinaigre blanc afin de recouvrir le fond d'environ 1/2 pouce (1,25 cm). Amenez le vinaigre au point d'ébullition. Il se peut que vous ayez à répéter le processus plusieurs fois avec du vinaigre refroidi afin d'enlever complètement l'accumulation de calcium. Une fois le processus de détartrage com-

## DIRECTIVES D'OPÉRATION

### AVANT D'UTILISER LA BOUÛLLOIRE LA PREMIÈRE FOIS

Avant d'utiliser votre bouilloire électrique traditionnellement sans fil de Cuisinart® pour la première fois, vous devez la faire fonctionner de 2 à 3 fois en suivant les directives ci-dessous. Ceci permet d'enlever la poussière ou les résidus qui restent du processus de fabrication.

### POUR FAIRE BOUILLIR DE L'EAU

**1. Retirez le couvercle.**  
Placez la bouilloire en dirigeant le bec dans la direction opposée. Soulevez doucement le couvercle.

**2. Remplissez la bouilloire.**  
Remplissez la bouilloire avec la quantité d'eau froide fraîche dont vous avez besoin. La quantité maximum d'eau à utiliser est indiquée par la marque « MAX » illustrée ci-dessous.

**3. Remplacez le couvercle.**  
Placez la bouilloire en dirigeant le bec dans la direction opposée. Remplacez le couvercle sur la bouilloire.

**4. Placez la bouilloire sur le socle alimenté**

Placez la bouilloire sur le socle alimenté de sorte que l'élément à la base de la bouilloire soit bien installé sur le socle alimenté.

**5. Interrupteur de marche**

Appuyez doucement sur l'interrupteur de marche (voir illustration 2) jusqu'à ce qu'un déclic se fasse entendre. Le témoin indicateur s'allumera en rouge. Une fois l'eau bouillie, la bouilloire s'arrêtera automatiquement.

**REMARQUE :** Vous pouvez arrêter la bouill-

loire à n'importe quel moment avant que l'eau n'atteigne le point d'ébullition, tout simplement en soulevant la bouilloire de son socle.

**6. Versez et servez.**

Versez l'eau lentement. Remplacez la bouilloire sur le socle après avoir versé. Si vous désirez refaire bouillir l'eau, vous devez appuyer à nouveau sur l'interrupteur de marche.

## SUGGESTIONS PRATIQUES

Utilisez toujours de l'eau froide fraîche à chaque fois que vous faites bouillir de l'eau. Si la bouilloire est accidentellement mise en marche sans qu'elle contienne une quantité suffisante d'eau, un dispositif arrête automatiquement la bouilloire. Videz la bouilloire après chaque usage. Ne laissez pas l'eau dans la bouilloire.

**REMARQUE :** Pour votre sécurité, il est recommandé que le couvercle soit fixé bien en place sur la bouilloire lorsque vous l'utilisez.

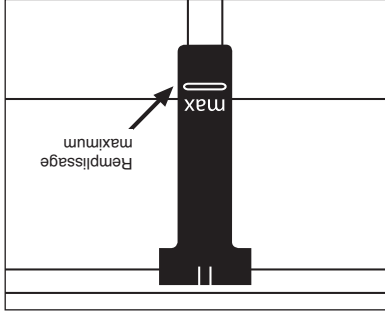


Illustration 1



Illustration 2

# CARACTÉRISTIQUES ET AVANTAGES

1. Acier inoxydable poli 18/10 avec capacité de 1 ¾ pinte (1,7 L)

2. Marque de remplissage maximum

La marque « MAX » située à l'intérieur de la bouilloire indique la quantité maximum d'eau

froide à y verser.

3. Bec verseur anti-gouttes

Anti-éclaboussures.

4. Poignée réglable qui demeure froide

au toucher

De forme ergonomique confortable. Se fixe

en position verticale centrale pour verser, et se replie d'un côté ou l'autre afin de faciliter le

retrait du couvercle.

5. Couvercle facile à saisir

Pour un remplissage rapide et facile.

6. Interrupteur de marche avec témoin indicateur

Il suffit d'appuyer sur l'interrupteur (appuyez doucement jusqu'à ce qu'un déclic se fasse

entendre) afin de commencer le processus d'ébullition. Le témoin indicateur s'illumine

lorsque la bouilloire est en marche. La bouilloire s'arrête automatiquement une fois que l'eau a

bouilli, ou lorsque la bouilloire est retirée de son socle d'alimentation.

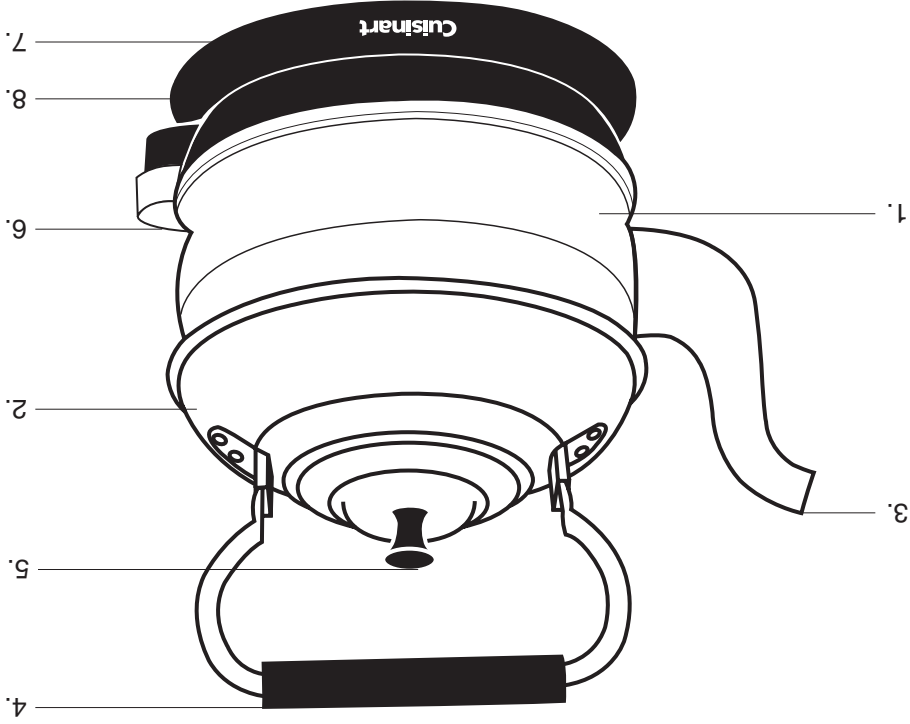
7. Socle alimenté

Allimente la bouilloire.

8. Endroit pour enrouler le cordon d'alimentation

(sous le socle)

Dérouler seulement la longueur de cordon requise.



# CONTENU

Mises en garde importantes	2
Directives de déballage	2
Introduction	3
Caractéristiques et avantages	4
Directives d'opération	5
Suggestion utiles	5
Nettoyage et entretien	6
Garantie	6

## INTRODUCTION

Votre nouvelle bouilloire électrique traditionnelle sans fil de Cuisinart® allie tous les comforts d'une bouilloire sur la cuisinière et l'aspect pratique d'une toute nouvelle technologie. Son fini en acier inoxydable poli en fait un élément élégant pour la table. Cette bouilloire est remarquablement facile à utiliser et à entretenir car elle a été fabriquée selon les spécifications les plus strictes en matière de conception et de qualité. Nous vous suggérons cependant de lire les directives qui accompagnent cette bouilloire afin de vous familiariser entièrement avec son utilisation et son entretien.

## COMMODITÉ ABSOLUE

Votre bouilloire électrique traditionnelle sans fil de Cuisinart® pourrait bien devenir rapidement l'un des appareils les plus pratiques et les plus utilisés dans votre cuisine. Elle permet de bouillir de l'eau facilement et rapidement, tout en économisant l'énergie. L'eau chauffe instantanément et atteint très rapidement le point d'ébullition—souvent plus rapidement que sur la cuisinière. Une fois l'eau au point d'ébullition, la bouilloire s'arrête automatiquement.

## Comment infuser du thé avec votre bouilloire électrique traditionnelle sans fil

L'usage le plus traditionnel pour une bouilloire est l'infusion du thé. Votre bouilloire Cuisinart® offre une façon rapide, facile et pratique de vous faire une tasse de thé. Que vous utilisiez des sachets de thé ou du thé en feuilles, achetez ce qu'il y a de mieux. Un thé de qualité est plus savoureux et il est meilleur s'il est infusé dans une théière ou une tasse en céramique.

Pour les meilleurs résultats, utilisez votre bouilloire électrique traditionnelle sans fil selon les directives d'opération indiquées à la page 5, ainsi que les suggestions suivantes :

1. Remplissez la bouilloire avec de l'eau froide fraîche.
2. Placez un infuseur avec du thé en feuilles ou un(des) sachet(s) de thé dans votre théière ou tasse en céramique.
3. Attendez que la bouilloire s'arrête et versez immédiatement l'eau bouillante sur le thé.
4. Laissez infuser le thé pendant 3 à 5 minutes. Plus l'infusion est longue, plus le thé sera fort. Pour du thé glacé, laissez infuser deux fois plus longtemps et versez le thé sur de la glace.
5. Remuez et servez tel que désiré.

## Façons d'utiliser votre bouilloire électrique traditionnelle sans fil

Avec la bouilloire électrique sans fil, vous pouvez faire tous vos breuvages chauds favoris...et beaucoup plus!

- Thé
- Café instantané
- Chocolat chaud
- Cafés aromatisés
- Céréales chaudes et granua
- Soupes instantanées
- Nouilles instantanées
- Riz instantané
- Pâtes instantanées

# MISES EN GARDE IMPORTANTES

Lorsqu'on utilise un appareil électrique, il faut toujours respecter certaines règles de sécurité fondamentales, y compris ce qui suit :

1. LIRE TOUTES LES DIRECTIVES.
2. Ne pas toucher aux surfaces chaudes. Utiliser les poignées et boutons.
3. Afin d'éviter les risques de feu, de choc électrique et de blessures, NE PAS IMMÉRGER LE CORDON D'ALIMENTATION, LA FICHE NI LE SOCLE dans de l'eau ou tout autre liquide.
4. Exercer une étroite surveillance lorsque l'appareil est utilisé par ou près des enfants.
5. Débrancher l'appareil de la prise d'alimentation lorsqu'il n'est pas utilisé et avant le nettoyage.
6. Laissez l'appareil se refroidir avant d'ajouter ou d'enlever des pièces, et avant le nettoyage.
7. Ne pas utiliser un appareil électrique dont la fiche ou le cordon est endommagé, qui ne fonctionne pas ou qui a été endommagé de quelque façon que ce soit. Retourner l'appareil au représentant de service autorisé Cuisinart le plus près à des fins d'examen, de réglage ou de réparation.
8. Ne pas utiliser l'appareil à l'extérieur.
9. Ne pas laisser pendre le cordon sur le bord d'une table ou d'un comptoir, et ne pas le laisser entrer en contact avec une surface chaude.
10. Ne pas placer cet appareil près ou sur l'élément chaud d'une cuisinière au gaz ou à l'électricité, ni dans un four chaud.
11. Toujours commencer par fixer la fiche à l'appareil, pour ensuite brancher la fiche dans la prise murale. Pour débrancher, placer l'interrupteur à la position « OFF », puis retirer la fiche de la prise murale.
12. Ne pas utiliser l'appareil pour un autre usage que celui prévu.
13. Il y a des risques d'échauffage si on retire le couvercle pendant le cycle de chauffage.

# POUR USAGE DOMESTIQUE SEULEMENT CONSERVER CES DIRECTIVES

## DIRECTIVES POUR LE CORDON D'ALIMENTATION COURT

L'appareil est muni d'un cordon d'alimentation court afin d'éviter les risques d'enchevêtrement et de débouchement que présente un cordon plus long. Des cordons plus longs sont disponibles et peuvent être utilisés avec prudence.

Si on utilise un cordon de rallonge, le calibre électrique indiqué sur le cordon de rallonge doit être au moins aussi élevé que le calibre électrique de l'appareil. Le cordon plus long doit être disposé de sorte qu'il ne pend pas sur le comptoir ou la table, où des enfants peuvent le tirer ou déboucher dessus par inadvertance. Comme l'appareil est doté d'une mise à la terre, la rallonge doit être du type à 3 fils avec terre.

## DIRECTIVES DE DÉBALLAGE

Placez votre bouilloire électrique traditionnelle sans fil de Cuisinart® dans sa boîte-cadeau sur une surface solide. Ouvrez la boîte-cadeau et retirez l'unité et le socle alimenté détachable. Retirez chaque élément de son sac en plastique. Jetez la bande de papier indiquant les caractéristiques et montrant la bouilloire, qui est enroulée autour de la base de la bouilloire. Assurez-vous que tout le matériel imprimé est retiré de la boîte. Conservez les matériaux d'emballage pour une future édition. Gardez tous les sacs en plastique hors de la portée des enfants.

Afin de profiter de ce produit en toute sécurité, veuillez lire le livret de directives avec soin avant l'usage.

**RK-17C**

**Bouilloire électrique traditionnelle sans fil**




**LIVRET DE  
DIRECTIVES**

**Cuisinart®**



Version no.: RK17C IB-6288-CAN  
 Size: 152MM (W) x 203MM (H)  
 Material: COVER: 157 GSM MATT ARTPAPER  
 INSIDE: 120 GSM GLOSS ARTPAPER  
 Coating: varnishing in cover  
 Color: COVER: 4C + 1C(black)  
 INSIDE: 1C + 1C  
 Date: 04/11/2005

 宝发柯式印刷有限公司

Tel: 0769-7720314 Fax: 0769-7720324  
 0769-7886328  
 E-MAIL: pofat.k.w.cheng@96326.com

**B** **C** **M** **Y**

