
CRIMESTOPPER

SECURITY PRODUCTS, INC.

CG-1000 MOTORCYCLE REMOTE ALARM SYSTEM

INSTALLATION GUIDE

INTRODUCTION

This system has been specifically designed for application to Motorcycles. The control module is small and compact, and highly water resistant. Its built-in, dual stage shock sensor is perfectly suited for any size Motorcycle, and the additional trigger input will allow you to protect any additional storage devices such as saddle bags and wind-fairing compartments.

This guide will provide you with enough general information to get you through the installation of this security systems. The information assumes a general knowledge of vehicle electrical theory and the ability to locate, test, and identify wiring in the vehicle using a digital (or analog) Volt/Ohm meter.

We hope this brief introduction helps eliminate confusion when installing your system. Should you experience trouble during installation, tech support is available by calling:

1 (800) 998-6880

Monday - Friday 8:00am - 4:30pm Pacific Time

SYSTEM FEATURES:

- | | |
|---|--|
| <input checked="" type="checkbox"/> AUDIBLE and SILENT ARM/DISARM | <input checked="" type="checkbox"/> IGNITION DISABLE |
| <input checked="" type="checkbox"/> FLASHING PARKING LIGHTS | <input checked="" type="checkbox"/> TRI-COLOR STATUS LED |
| <input checked="" type="checkbox"/> BUILT-IN DUAL SHOCK SENSOR | <input checked="" type="checkbox"/> CODE-LEARNING RECEIVER |
| <input checked="" type="checkbox"/> PASSIVE and ACTIVE ARMING | <input checked="" type="checkbox"/> REMOTE VALET |

CONTROL MODULE MOUNTING

CG-1000

The module should be mounted in a concealed location. DO NOT alter the length of antenna wire or route it with any other wiring.

MOUNTING LOCATIONS

UNDERSEAT MOUNTING: Depending on the type of motorcycle you are working with, the most likely location for mounting the module will be under the seat. This provides concealment from would-be thieves and accessibility for the owner. Try to locate the unit where it be LEAST likely to get wet when riding in wet weather or washing the vehicle. Although the unit is highly water-resistant, it is NOT water-proof.

MOUNTING COMPONENTS

MOUNTING PIEZO SIREN

Mount Siren as concealed as possible, while allowing for it to heard clearly. Make sure siren is mounted so that it points downward to prevent water from accumulating inside it. DO NOT MOUNT NEAR EXHAUST MANIFOLD OR ANY OTHER EXCESSIVE HEAT SOURCE.

LED MOUNTING

The LED ASSEMBLY should be located in a visible location, usually in or around the instrument cluster.

Drill a 5/16" hole.

SENSOR ADJUSTMENT AND PROGRAMMING

SENSOR ADJUSTMENT MODE

The sensor is adjusted by turning the adjust pot located behind the rubber plug. The sensitivity settings can be easily viewed without arming the system by Turning the ignition ON, and then pressing Button #2 three times. The LED will flash ORANGE momentarily, indicating the view mode is on. The GREEN LED lights when the Pre-Warning is tripped; The RED LED lights when the Trigger is tripped.

PROGRAMMING A NEW REMOTE

With system Disarmed, Remove main power
Turn Ignition to ON
Replace Main Alarm Power
Press Brake 3 times, LED will flash GREEN.
Press Button 1 of new remote

WIRING

16 GAUGE PURPLE WIRES: IGNITION DISABLE (OPTIONAL)

Since a motorcycle can be kickstarted or easily push-started, These wires are designed to interrupt the Ignition voltage to the coils of the motorcycle. Locate a wire to the coils, which when disconnected does not allow the engine to run. Cut this wire so there are to halves. Connect one half to one PURPLE wire and the other half to the other PURPLE wire.

RED WIRE: +12 VOLT POWER

Connect to Constant +12 Volt power source with supplied In-Line 10 Amp fuse and Fuse Holder.

BLACK WIRE: CHASSIS GROUND

Connect this wire to the frame of the motorcycle using an existing bolt not easily located from the outside of the motorcycle.

YELLOW WIRE: IGNITION SWITCHED "ON" AND "START" +12 VOLTS

Connect to an Ignition wire (or fuse in the fuse box) that shows +12 Volts when the key is in the "On" position.

WHITE WIRE: FLASHING PARKING LIGHT OUTPUT (OPTIONAL)

Connect to any Parking Light wire or to the Tail light wire.

BROWN WIRE: + HORN/SIREN OUTPUT

Connect BROWN wire to the RED wire of the supplied Piezo siren. Ground BLACK wire of Siren to Chassis ground(body metal).

BLUE WIRE: (-)ADDITIONAL TRIGGER INPUT

Connect this wire to any additional sensor trigger wire or to a switch which grounds. This wire is useful for protecting saddlebags and other storage compartments. Magnetic switches are recommended for these applications.

GRAY WIRE: (-)NEG. REMOTE OUTPUT (OPTIONAL) (REQUIRES RELAY)

Connect to terminal 85 of relay. Connect terminal 86 to +12 Volt constant. Connect terminal 87 to +12V Constant or Ground. Connect terminal 30 to device to be activated.

PURPLE WIRE: (+)POSITIVE EMERGENCY OVERRIDE

Connect this wire to the positive Brake light wire.

ORANGE WIRE: (+)RED LED OUTPUT

Connect to the ORANGE wire of the LED harness.

GREEN WIRE: (+)GREEN LED OUTPUT

Connect to the GREEN wire of the LED harness.

LED WIRING

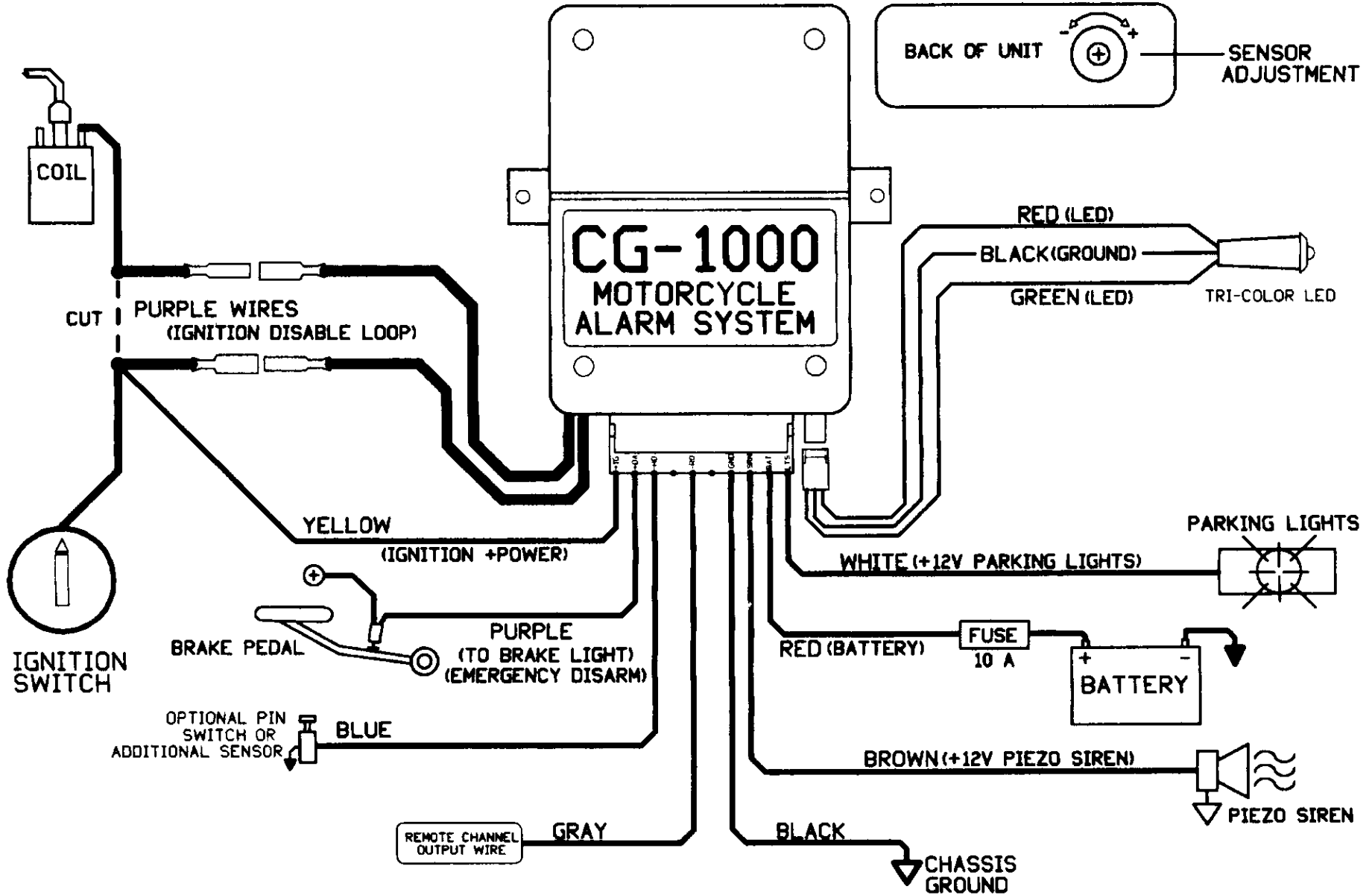
TRI-COLOR LED

The LED has a 3-pin connector.

RED WIRE: Red LED + wire

GREEN WIRE: Green LED + wire

BLACK WIRE: LED Ground wire



CRIMESTOPPER

SECURITY PRODUCTS, INC.

CG1000 MOTORCYCLE ALARM OPERATION

ARMING W/CHIRP

Press Button 1 once:
Lights will turn ON
Siren will chirp once, Lights go out
LED starts flashing red.

ARMING SILENT

Press Button 1 twice quickly
Lights will Flash once
LED starts flashing red.

DISARMING W/CHIRP

Press Button 1 once:
Lights will Flash Once, then stay on solid
Siren will chirp Twice,
LED stops flashing.

DISARMING SILENT

Press Button 1 twice quickly
Lights will Flash Once, then stay on solid
LED stops flashing

REMOTE VALET

With system DISARMED, Press buttons 1&2 at the same time
LED will light solid Green. Press both buttons again to exit
Valet mode.

EMERGENCY DISARM

With system Armed and/or triggered, Turn Ignition ON
Before 10 seconds, Press Brake 5 times, system will disarm.

PASSIVE/ACTIVE SELECT

With system DISARMED, Press buttons 1&2 at the same time
and continue holding until LED goes Red or Orange
If LED was flashing Orange when Valet was entered, LED will
turn ORANGE to indicate ACTIVE mode
If LED was OFF when Valet was entered, LED will turn RED
to indicate PASSIVE mode.
Press 1&2 again to exit Valet Mode.

PRE-WARN ON/OFF

When system is ARMED, LED flashing RED, Press buttons 1&2.
LED will start flashing RED/ORANGE - Pre-Warning is ON
When pre-warning is ON, Press buttons 1&2, LED will return
to RED ONLY - Pre-Warning is OFF

PROGRAMMING A NEW REMOTE

With system Disarmed, Remove main power
Turn Ignition to ON
Replace Main Alarm Power
Press Brake 3 times, LED will flash GREEN.
Press Button 1 of new remote, LED will stop flashing when
new code has been learned.

IGNITION DISABLE

The Ignition Disable circuit becomes active only once the
alarm is triggered. The reason for Ignition Disable vs.
Starter Disable, is Motorcycles are easily roll-started.