



Wireless Driveway Alert System with Indoor/Outdoor Sensor

DRIVEWAY ALERT



* Patent Pending

INSTRUCTION MANUAL V1.0

PRODUCT WARRANTY INFORMATION

Please visit our website at www.SVAT.com
for information about your product's warranty

We take quality very seriously. This is why all of our products come with a one year warranty from the original purchase date against defects in workmanship and materials. If you have warranty or support issues please contact us using any of the following methods:

Phone: 1.866.946.7828
Fax: 1.888.771.1701
Email: support@SVAT.com
Website: www.SVAT.com

SVAT Canada
4080 Montrose Road
Niagara Falls, ON
Canada, L2H 1J9

SVAT USA
60 Industrial Parkway #Z64
Cheektowaga, NY 14227
USA, 14305

Warranty Terms

1. SVAT products are guaranteed for a period of one year from the date of purchase against defects in workmanship and materials. This warranty is limited to the repair, replacement or refund of the purchase price at SVAT's option.
2. This warranty becomes void if the product shows evidence of having been misused, mishandled or tampered with contrary to the applicable instruction manual.
3. Routine cleaning, normal cosmetic and mechanical wear and tear are not covered under the terms of this warranty.
4. The warranty expressly provided for herein is the sole warranty provided in connection with the product itself and no other warranty, expressed or implied is provided. SVAT assumes no responsibilities for any other claims not specifically mentioned in this warranty.
5. This warranty does not cover the shipping cost, insurance or any other incidental charges.
6. You **MUST** call SVAT before sending any product back for repair. You will be sent a Return Authorization form with return instructions. When returning the product for warranty service, please pack it carefully in the original box with all supplied accessories, and enclose your original receipt or copy, and a brief explanation of the problem (include RA #).
7. This warranty is valid only in Canada and the continental U.S.
8. This warranty cannot be re-issued.

Congratulations on your purchase of the VIS101! Always be aware when invited guests or unwanted trespassers visit your property or enter a restricted area. This motion sensor notifies you when motion is detected up to 30ft away, so you never have to worry about people sneaking around your property without you knowing. As soon as your motion sensor detects motion, it sends a signal to the receiver which will sound an alarm and give you immediate notification that someone has entered your property. This system has the ability to expand, up to three motion detectors connected to one receiver so you can easily protect more areas of your property. With the VIS101, you can feel comforted knowing when your children come home at night or when someone enters a private or restricted area within your business. Ensure your safety and peace of mind with this advanced motion alert system.

TABLE OF CONTENTS

PRODUCT WARRANTY INFORMATION	1
INTRODUCTION	2
WHAT'S INCLUDED	2
OPTIONAL ACCESSORIES	2
FEATURES	3
BUTTONS AND CONNECTIONS	4
OPERATION	6
INSTALLATION	8
TROUBLESHOOTING	10
SPECIFICATIONS	10

WHAT'S INCLUDED



**Indoor/Outdoor
Motion Sensor**



Receiver

- **Sensor Hanging Clip**
- **4 AA Batteries**
- **Mounting Hardware**
- **Pairing Tool**
- **1 Year Warranty**
- **24/7 Live Customer Support**

OPTIONAL ACCESSORIES

**Additional Indoor/Outdoor Motion Sensor (Up to 2)
(VIS101-TX)**



30ft Detection Zone Notification

The adjustable sensor can detect movement close up and even as far as 30ft away. With no wires involved, set up is simple and you can rest assured that the signal between your receiver and motion sensor will remain strong up to 300ft away.¹

Weather Resistant for Outdoor Use

Feel free to place the motion sensor outside in your driveway or in a restricted parking lot all year round as the motion sensor is made out of weather resistant material that can withstand wind, rain and even snow.²

Go Completely Wireless with Batteries

Conveniently, this wireless driveway alert was designed to conserve battery life—in some cases you won't have to replace batteries for over 6 months.³ When the motion sensor battery is low, the hand held receiver will alert you so you will always be protected. The receiver can also be powered with the included AC power adapter.

Expandable Up to 3 Sensors

Ensure that all areas of your property are secure by adding additional motion sensors. The receiver will notify you when motion is detected for up to three entrances or areas, and indicates which sensor is in alarm.⁴

Adjustable Sensitivity

Select your sensitivity level based on where your motion sensor is located. Choose to be alerted only by approaching automobiles or increase the sensitivity to include approaching pedestrians.

External Alarm Connections

You have the ability to connect an external alarm to the alarm unit. So feel free to connect other alarms, motion detectors or light detectors to go off when motion is detected.

Connect to your Security System

Connect the receiver to any security system that has a three wire alarm input so that an additional alarm will go off when motion is detected by your sensors.

Zone Control

From the hand held alarm unit, you have the ability to turn motion detection on and off for each particular zone. This allows you to adjust whether you want motion detected for particular traffic you are receiving.

24/7 Lifetime Live Customer Support

Our customer support team can be reached by phone 24/7 or by email and live web chat services, so you always have access to an expert.

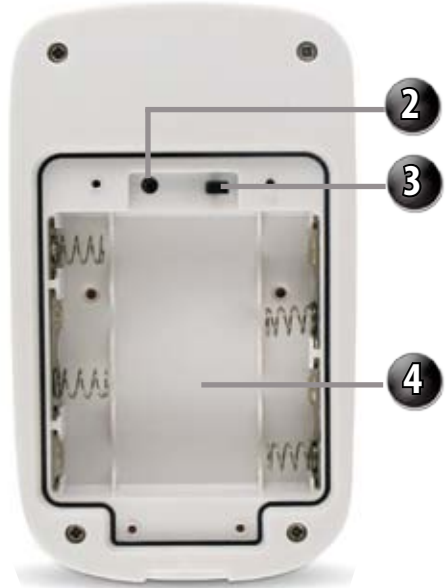
Disclaimers

1. Optimum range is 250ft when signal is passing through walls or floors. Microwave ovens (when in use) may cause signal disruption at close range. Buildings with metal frames may also cause signal disruption. Maximum transmission range is 300ft. Motion sensor has multiple detection settings that affect the maximum distance and sensitivity of the unit.
2. Although the motion sensor is weather resistant, please note that it is not weather proof – Do not install in areas that receive a lot of direct rain and/or snow.
3. Battery life of motion sensor is 6-12 months based on tests of daily moderate use (10 times/day). Battery life may vary depending on usage.
4. Extra motion sensors are not included and can be purchased separately

Front of Motion Sensor



Inside Battery Compartment



Front of Motion Sensor

1. Motion Sensor: This area detects motion in front of the sensor

Inside Battery Compartment

2. Pair Button: Press this button to connect the motion sensor with the receiver
3. Sensitivity Switch: The Sensor has two sensitivity levels, 15ft and 30ft
4. Battery Compartment: Install 4 AA batteries in the battery compartment

Side of Motion Sensor

5. Hanging Clip: Use the adjustable hanging clip to fasten the motion sensor to a wall or surface

Side of Motion Sensor



Front of Receiver



Front of Receiver

- | | |
|---|---|
| <p>1. 3 Wire Connection: Use this wire connection to attach an external alarm</p> <p>2. Pair Button: Use this hidden pair button to connect the receiver with the motion sensor</p> | <p>3. Power Button: Use this button to power on the receiver</p> <p>4. Zone Buttons/LEDs: Use the zone buttons to turn a zone on or off</p> |
|---|---|

Side of Receiver



Side of Receiver

5. 9V DC Input: Connect the AC adapter here
6. LED ON/OFF Switch: Use the LED on/off switch to turn the LEDs on or off
7. Alarm Volume Toggle: Use this wheel to toggle the alarm volume

Back of Receiver



Back of Receiver

8. Speaker: Hear the alarms from this speaker
9. Battery Compartment: Install 4 AA batteries in this compartment
10. Wall Hangers: Use these hangers to hang the sensor on a wall

Powering On the Motion Sensor

The motion sensor requires 4 AA batteries to operate. Please see instructions below on how to install batteries and mount your motion sensor properly.

- Once you have successfully installed the batteries in the motion sensor, the sensor will start up automatically, please allow 60 seconds for the unit to initialize before it will begin sensing motion and sending signals
- It will be necessary to pair the motion sensor and the receiver before any alarms are received (see Pairing the Devices below)

Installing Batteries in the Motion Sensor

This unit requires 4 AA batteries to operate. The unit is designed to operate on batteries for 6 months or longer before they will need to be replaced. (Based on 10 alarms a day)

1. Remove the battery compartment cover on the back of the sensor unit using a small phillips head screwdriver.
2. Install 4 AA batteries.
3. While you have the compartment cover off, you should adjust the sensitivity to your needs (see Setting the Sensor Sensitivity on Page 7) and pair the sensor to the proper zone, if you have not already done so. (see Pairing the Devices on below) Replace the battery compartment cover.

Powering On the Receiver

The receiver unit can be powered using either the included power adapter, or by 4 AA batteries (not included).

Using the Adapter

1. Plug the end of the adapter cable into any available wall outlet.
2. Plug the other end into the 9V DC input jack on the left side of the receiver unit.
3. Press the power button on the front of the receiver unit.
4. When the unit is powered ON, a blue LED light will illuminate behind the power button.

Power Button



Using 4 AA Batteries

1. Remove the battery compartment cover on the back of the receiver by placing your finger in the slot and pulling the cover off.
2. Place 4 AA batteries in the battery compartment.
3. Replace the battery compartment cover.
4. Press the power button on the front of the receiver unit.
5. When the unit is powered ON, a blue LED light will illuminate behind the power button.

Pairing the Devices

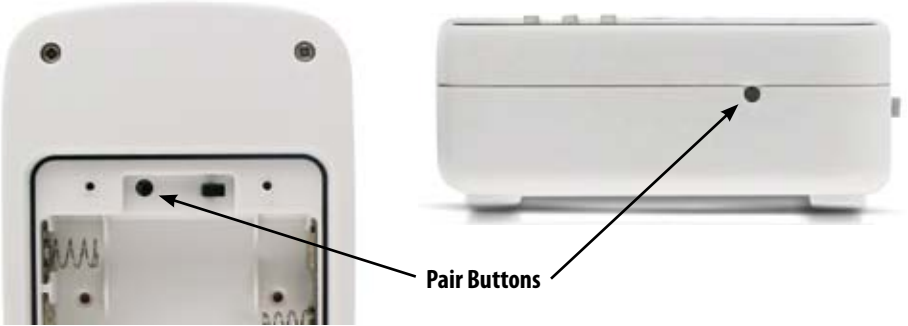
The devices must be paired before the system will receive alerts.

1. Power on both units, press the pair button on the right side of the receiver.
2. The receiver will beep once and the first zone LED will blink. Choose which sensor you would like to monitor zone 1, and press the pair button inside the battery compartment of that sensor unit.
3. The receiver unit will beep twice and the chosen zone LED will stop flashing when the units have been paired.
4. To connect additional sensors, press the pair button on the receiver and choose a zone by pressing one of the zone buttons. The zone button will begin blinking. Press the pair button inside the battery compartment of the sensor you wish to pair.

5. The receiver unit will beep twice and the chosen zone LED will stop flashing when the units have been paired.
6. If you are finished pairing the devices you can press the power button on the receiver to exit pair mode.
7. Always test that the system will receive alerts before installing the sensor unit by waving your hand or walking past it until you receive an alert.

Sensor

Receiver



Setting the Sensor Sensitivity

Adjusting the sensor's sensitivity will be necessary depending on how far you are mounting the unit from the area being monitored. You will also need to adjust the sensitivity if you are getting false alarms, or missing alarms.

1. Remove the battery compartment cover. The sensitivity control is the black switch on the top right side of the inside of the compartment.
2. Flip the switch to the left to adjust the sensitivity to the low (15ft) setting.
3. Flip the switch to the right to adjust the sensitivity to the high (30ft) setting.
4. Replace the battery compartment cover.

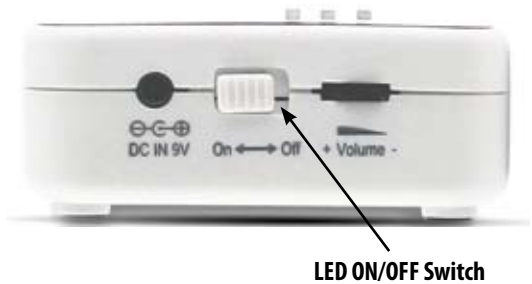
Alarms

Upon detection of movement, the motion sensor unit will send a signal to the receiver unit. When the receiver gets this signal, it will alert you with an audible alarm, and a flashing LED.

Turning the LEDs On/Off

The LED for each zone lights up when that zone is active and alarms are being transmitted. You have the option of switching off all the LEDs while the system is running to save battery power. To turn off all of the LEDs:

1. Slide the LED ON/OFF switch down to turn the LEDs OFF, to switch the LEDs ON again, slide the switch up.



Turning a Zone On/Off

You can turn any zone off if you do not wish to have alarms from that area go off for a period of time. To turn a zone on or off:

1. Press any zone LED button once to turn that zone off, you will hear two beeps and the LED will go out when the zone is off.
2. Press any zone button again to turn that zone back on, you will hear a single beep and the LED will light up again.



Note: If there is no change in the LEDs (they stay off even when pressed) you may have the LED On/Off switch on the side of the receiver set to Off.

Adjusting the Alarm Volume

1. To adjust the volume of the alarm that sounds, turn the volume wheel left or right. Setting the volume to the lowest setting will turn the alarm volume completely off.

Connecting an External Alarm

This system is capable of having a 3 wire connected external alarm. By connecting another alarm you can expand your security system with a louder sounding alarm, or any other 3 wire connected system you choose. To connect an external alarm:

1. Connect the three wires to the connections of your external alarm according to the instruction manual.
2. Using a small screwdriver or pin, push down one of the connection buttons on the top of the receiver, doing this will allow you to place a wire in the connection; release pressure on the button to secure the wire.
3. Repeat this process for all three wires, once finished, power on the system and test.



3 Wire External Alarm Connection

INSTALLATION

Installation Recommendations

Before installing the sensor unit there are several things you should consider:

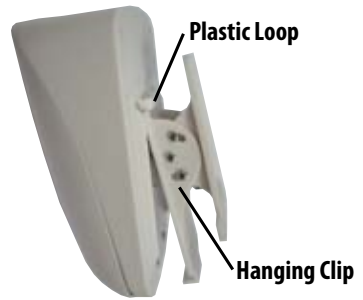
- This system is water resistant, not waterproof. Installing it in an area where it is under an awning or covering is recommended
- Choosing the sensitivity level, either 15 feet or 30 feet, depending on where the sensor will be mounted, the sensor will detect objects within a 30° angle
- Where the sensor will be placed, must be within a 300 foot line of sight range from the receiver

Hanging the Sensor Unit

You will need an object such as a post or tree to screw the hanging clip to.

1. Screw the hanging clip to the post using 3 screws.

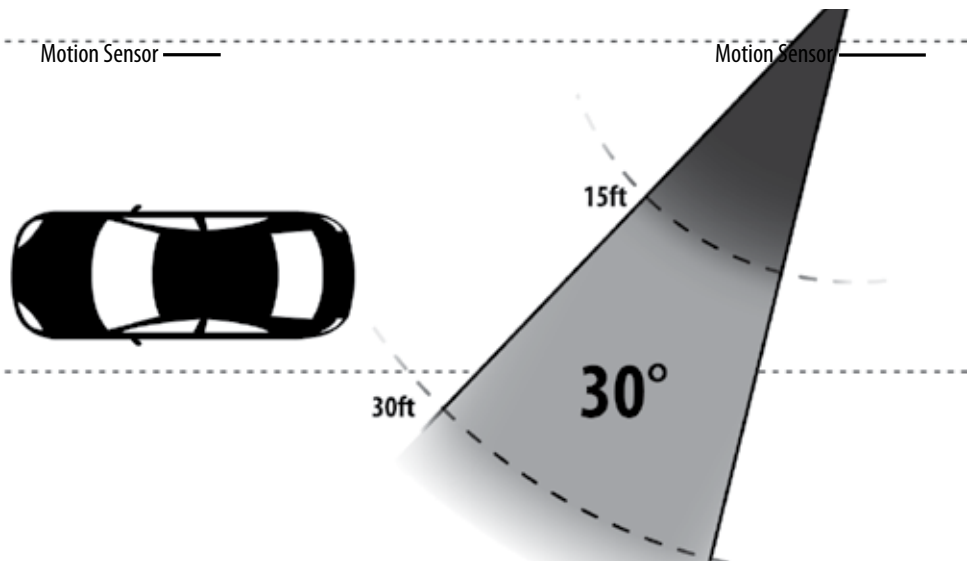
- Once you have the hanging clip secured to the post, hang the sensor unit by first placing the flat edge under the plastic loop on the battery compartment cover. Then clip the bottom of the hanging clip around the bottom of the sensor unit.
- Fasten the sensor to the bottom of the hanging clip using the included screw and a phillips head screwdriver.
- Once you have hung the sensor it is important to test its location to ensure you have the proper sensitivity set.



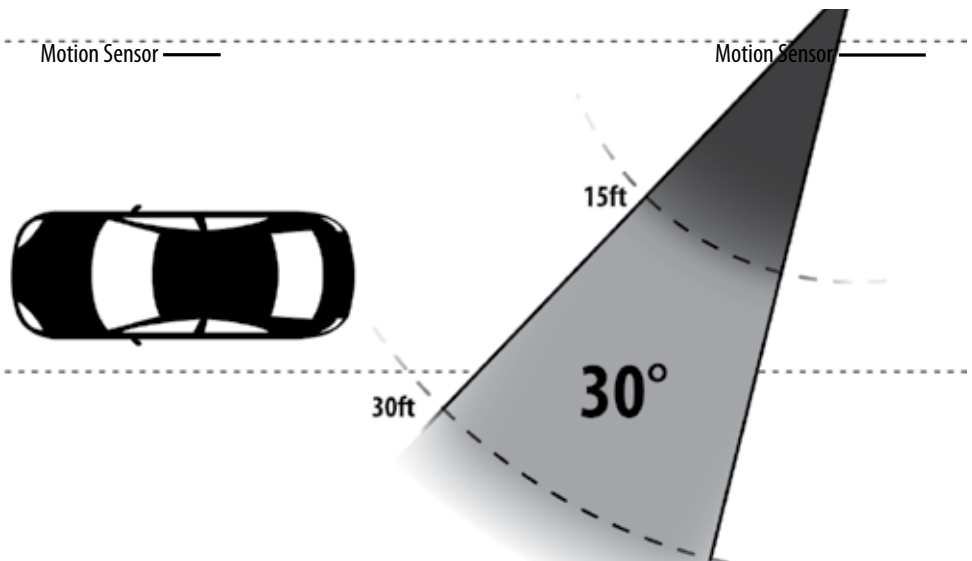
Mounting Recommendation

- To maximize vehicle detection, the sensor should be installed approximately 4 feet off the ground, pointing on an angle so that it will view the vehicle from behind as it passes

INCORRECT ANGLE



CORRECT ANGLE



This device complies with Part 15 of the FCC Rules.

Operation is subject to the following two conditions:

- (1) this device may not cause harmful interference, and
- (2) this device must accept any interference received, including interference that may cause undesired operation.

FCC NOTE: THE MANUFACTURER IS NOT RESPONSIBLE FOR ANY RADIO OR TV INTERFERENCE CAUSED BY UNAUTHORIZED MODIFICATIONS TO THIS EQUIPMENT. SUCH MODIFICATIONS COULD VOID THE USER'S AUTHORITY TO OPERATE THE EQUIPMENT.

IC NOTE: LOW POWER DEVICES_RF

CLASS B OR A PRODUCTION

This Class [B] digital apparatus complies with Canadian ICES-003.

Problem	Possible Cause
Receiver is powered on but no alarms are sounding	<ul style="list-style-type: none"> • Motion sensor or receiver are located too close to large metal objects • Motion sensor and receiver are not paired • The zone that the motion sensor is paired to is turned off • Batteries on motion sensor are dead • Motion sensor may need to be repositioned
The receiver is getting false alarms	<ul style="list-style-type: none"> • The motion sensor is too close to the area being monitored • The sensitivity of the motion sensor is set too high • There are large trees or moving objects in the area being monitored • Motion sensor may need to be repositioned
The motion sensor is missing alarms	<ul style="list-style-type: none"> • Motion sensor is too far away from area being monitored • The sensitivity of the motion sensor is too low • The batteries in the motion sensor are low • Motion sensor may need to be repositioned
There is no audible alarm	<ul style="list-style-type: none"> • Alarm on receiver is muted
The motion sensor will not pair with the receiver	<ul style="list-style-type: none"> • Batteries in motion sensor are dead • The motion sensor is too far from the receiver to make a connection
External alarms are not working	<ul style="list-style-type: none"> • Check that you have wired the external alarm properly, check the user manual that came with your external alarm

SPECIFICATIONS

Motion Sensor	
Input Voltage	4 AA Batteries (6V)
Standby Current	104 uA
Transmitting Current	17.5 mA
Transmit Range (Open Air)	300 feet
Sensitivity Selections	(low) 15 feet / (high) 30 feet
Battery Life	More than 6 months
Dimensions	2.65" x 4.5" x 1.65" (without mount)
Weight	0.25 lbs (without batteries)
Receiver	
Input Voltage	9V Adapter or 4 AA Batteries (6V)
Standby Current (with power LEDs on)	2 mA
Working Current	108 mA (with batteries) / 128 mA (with adapter)
Battery Life	Less than 24 hours (AC Adapter recommended)
Dimensions	4.3" x 2.75" x 1"
Weight	0.25 lbs (without batteries)



SVAT ELECTRONICS
now you can see

VISIT US ON THE WEB!

- ▶ Product Information
- ▶ User Manuals
- ▶ Specification Sheets
- ▶ Technical Support

www.svat.com

Disclaimer

SVAT does not endorse any of SVAT products for any illegal activities. SVAT is not responsible or liable in any way, shape or form for any damage, vandalism, theft or any other action that may occur while a SVAT product is in use by the purchaser.

www.svat.com

VIS101

AVERTISSEMENT
 SVAT n'approuve aucune utilisation illégale des produits SVAT. SVAT n'est pas responsable en aucune manière en cas de dommage, de vandalisme, de vol ou toute autre action qui pourrait se dérouler durant l'utilisation d'un produit SVAT par le consommateur.

AVERTISSEMENT

www.svat.com

Support technique



manuels d'utilisateurs



Fiches techniques



Informations sur le produit



VISITEZ-NOUS SUR LE WEB!

Capteur de mouvement	
Tension d'entrée	4 piles AA (6V)
Courant de veille	104 uA
Courant de transmission	17,5 mA
Portée de transmission (en plein air)	300 pieds
Sélections de sensibilité	(basse) 15 pieds / (haute) 30 pieds
Autonomie des piles	Plus de 6 mois
Dimensions	2.65po x 4.5po x 1.65po (sans montage)
Poids	0,25 lbs (sans piles)
Récepteur	
Tension d'entrée	Adaptateur 9V ou 4 piles AA (6V)
Courant de veille (avec voyants d'alimentation DEL)	28 mA (piles) / 36mA (adaptateur)
Courant de fonctionnement	108 mA (avec piles) / 128 mA (avec adaptateur)
Autonomie des piles	Moins de 24 heures (adaptateur recommandé)
Dimensions	4.3po x 2.75po x 1po
Poids	0,25 lbs (sans piles)

SPÉCIFICATIONS

Problème	Cause possible
Le récepteur est alimenté, mais aucune alarme ne sonne	<ul style="list-style-type: none"> Capteur de mouvement est trop loin du récepteur Capteur et récepteur ne sont pas jumelés La zone avec lequel le capteur de mouvement est associé à est éteint Les piles dans le capteur de mouvement sont épuisées Le capteur de mouvement peut avoir besoin d'être repositionné
Le récepteur obtient des fausses alarmes	<ul style="list-style-type: none"> Le capteur de mouvement est trop proche de la zone surveillée La sensibilité du capteur de mouvement est trop élevée Il ya de grands arbres ou des objets en mouvement dans la zone surveillée Le capteur de mouvement peut avoir besoin d'être repositionné
Le capteur de mouvement manque des alarmes	<ul style="list-style-type: none"> Le capteur de mouvement est trop loin de la zone surveillée La sensibilité du capteur de mouvement est trop basse Les piles dans le capteur de mouvement sont basses Le capteur de mouvement peut avoir besoin d'être repositionné
Il n'y a pas d'alarme sonore	<ul style="list-style-type: none"> L'alarme sur le récepteur est assourdi
Le capteur de mouvement ne se jumèle pas avec le récepteur	<ul style="list-style-type: none"> Les piles dans le capteur de mouvement sont épuisées Le capteur de mouvement est trop loin du récepteur pour établir une connexion
Les alarmes externes ne fonctionnent pas	<ul style="list-style-type: none"> Assurez-vous que vous avez connecté l'alarme externe correctement, Vérifiez le guide d'utilisation fourni avec votre alarme externe

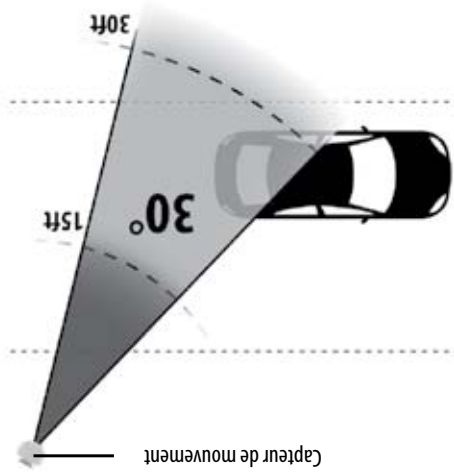
Cet appareil est conforme à la Partie 15 des règlements de la FCC.
 Son fonctionnement est soumis aux deux conditions suivantes:
 (1) cet appareil ne doit pas causer d'interférences nuisibles et
 (2) cet appareil doit accepter toute interférence reçue, y compris les interférences pouvant provoquer un fonctionnement indésirable.

NOTE FCC: LE FABRICANT N'EST PAS RESPONSABLE DE TOUT INTERFÉRENCES RADIO OU TÉLÉVISION CAUSÉ PAR DES MODIFICATIONS NON AUTORISÉES À CET ÉQUIPEMENT. CES MODIFICATIONS POURRAIENT ANNULER LAUTORITÉ DE L'UTILISATEUR À UTILISER CET ÉQUIPEMENT.

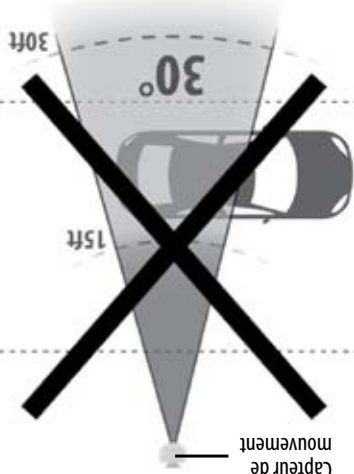
NOTE IC: APPAREILS DE FAIBLE PUISSANCE FR

PRODUCTION CLASSE B OU A

Cet appareil de classe [B] est conforme à la norme canadienne NMB-003.



ANGLE CORRECT

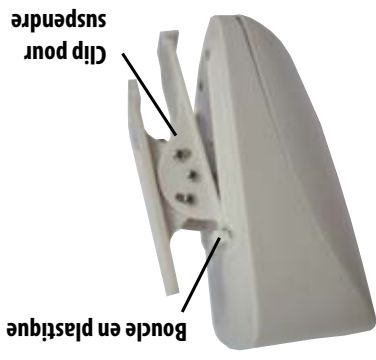


ANGLE INEXACT

Recommandation de montage

- Afin d'optimiser la détection des véhicules, le capteur doit être installé à environ 2-3 pieds du sol, pointant à un angle qui lui permettra de voir le derrière de la voiture lorsqu'il passe

1. Une fois que vous avez le clip suspendus au poteau, accrocher le capteur en le plaçant d'abord sur le côté plat sous la boucle en plastique qui se trouve sur le couvercle du compartiment. Ensuite, accroche la base du clip à la base du capteur.
3. Fixer le capteur à la base du clip suspendu par la vis fournie et un tournevis cruciforme.
4. Une fois que vous avez accroché le capteur, il est important de tester son emplacement pour vous assurer d'avoir le bon réglage de la sensibilité.



Activer/désactiver une zone

Vous pouvez désactiver une zone si vous ne souhaitez pas avoir d'alarmes activées dans ce secteur pour une période de temps. Pour activer ou désactiver une zone :

1. Appuyez sur n'importe quelle touche de zone DEL une fois pour éteindre cette zone, vous entendrez deux bips et le voyant correspondant s'éteindra lorsque la zone est désactivée.
2. Appuyez sur n'importe quelle touche de zone encore une fois pour réactiver cette zone, vous entendrez un bip et le voyant correspondant s'allumera.



Note: *S'il n'y a pas de changement dans les DEL (ils restent éteints même quand appuyé) il se peut que vous avez la touche DEL On/Off situé sur le côté du récepteur réglé à la position OFF; (désactivé)*

Réglage du volume de l'alarme

1. Pour régler le volume de l'alarme, tournez la molette de volume vers la gauche ou la droite. Régler le volume au plus bas réglage éteint le volume de l'alarme complètement.

Raccordement d'une alarme externe

Ce système est capable d'avoir un alarme à trois fils externe de connecté. En connectant une autre alarme vous pouvez augmenter votre système de sécurité avec une alarme plus bruyante, ou à un autre alarme à trois fils que vous choisissez. Pour connecter une alarme externe :

1. Connectez les trois fils aux connexions de votre alarme externe selon le manuel d'utilisation.
2. Avec un petit tournevis ou une épingle, poussez l'un des boutons de connexion sur le dessus du récepteur vers le bas, ceci vous permettra de placer un fil dans la connexion; relâcher la pression sur le bouton pour fixer le fil.
3. Répéter ce processus pour tous les trois fils, une fois terminé, alimentez le système et tester.

**Connexion d'alarme externe à trois fils****Recommandations pour l'installation**

Avant d'installer le capteur il y a plusieurs choses que vous devrez considérer :

- Ce système est résistant à l'eau, pas étanche. L'installation dans une zone où il est sous un auvent ou un recouvrement est recommandé
- Choisir le niveau de sensibilité, soit 15 pieds ou 30 pieds, selon l'endroit où le capteur sera monté, le capteur permet de détecter des objets dans un angle de 30°
- Le capteur doit être placé dans une ligne de 300 pieds de portée de vue du récepteur

Suspendre le capteur

1. Vissez le le clip pour suspendre au poteau avec trois vis.
- Vous aurez besoin d'un objet tel qu'un poteau ou un arbre pour suspendre le clip.

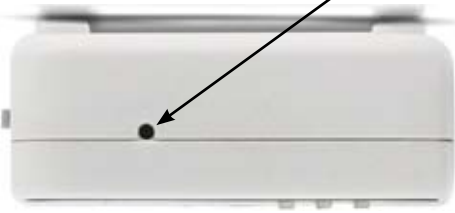
4. Pour connecter des capteurs supplémentaires, appuyez sur la touche de jumelage sur le récepteur et choisissez une zone en appuyant sur une des touches de sélection de zone. La touche de la zone correspondante clignotera. Appuyez sur la touche de jumelage à l'intérieur du compartiment du capteur de mouvement que vous voulez jumeler.
5. Le récepteur sonnera deux fois et le DEL de la zone choisie arrêtera de clignoter lorsque les unités ont été jumelées.
6. Si vous avez terminé le jumelage des appareils que vous voulez, appuyez sur la touche d'alimentation sur le récepteur pour quitter le mode de jumelage.
7. Vérifiez toujours que le système reçoit les alertes avant d'installer le capteur en agitant la main ou en marchant devant le capteur.

Capteur



Touche de jumelage

Récepteur



Réglage de la sensibilité du capteur

Régler la sensibilité du capteur sera nécessaire d'après la distance que vous installez le capteur de la zone surveillée. Vous aurez aussi besoin d'ajuster la sensibilité si vous obtenez des fausses alertes, ou manquez des alarmes.

1. Retirez le couvercle du compartiment. La touche de sensibilité est le commutateur noir en haut à droite à l'intérieur du compartiment.
2. Basculer le commutateur vers la gauche pour ajuster la sensibilité au réglage plus bas (15 pi).
3. Basculer le commutateur vers la droite pour ajuster la sensibilité au réglage plus haut (30 pi).
4. Remplacer le couvercle du compartiment.

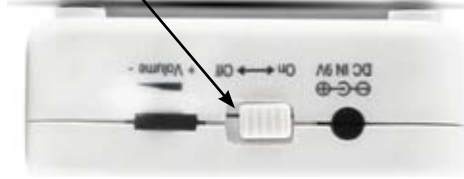
Alarmes

En cas de détection de mouvement, le capteur de mouvement envoie un signal au récepteur. Quand le récepteur obtient ce signal, il vous alertera avec une alarme audible, et une DEL clignotante.

Activer/désactiver les DEL

La DEL pour chaque zone s'allume quand cette zone est active et les alarmes sont transmises. Vous pouvez éteindre tous les voyants lorsque le système fonctionne. Pour éteindre tous les voyants DEL: 1. Glissez la touche DEL ON/OFF vers le bas pour éteindre les DEL, pour allumer les DEL, glissez la touche vers le haut.

Touche DEL ON/OFF



1. Allumer les deux unités, appuyez sur la touche de jumelage sur le côté droit du récepteur.
2. Le récepteur sonnera une fois et la première DEL de zone clignotera. Choisir quel capteur que vous voulez surveiller la zone 1, et appuyez sur la touche de jumelage à l'intérieur du compartiment de ce capteur.
3. Le récepteur sonnera deux fois et la DEL de la zone choisie arrêtera de clignoter lorsque les unités ont été jumelées.

Jumeler les appareils

Les dispositifs doivent être jumelés avant que le système recevra des alertes.

1. Retirez le couvercle du compartiment à l'arrière du récepteur en plaçant votre doigt dans la fente et en tirant le couvercle.
2. Placez 4 piles AA dans le compartiment à piles.
3. Remplacer le couvercle du compartiment.
4. Appuyez sur la touche d'alimentation sur le devant du récepteur.
5. Lorsque l'appareil est allumé, une lumière DEL bleue s'allume derrière la touche d'alimentation.

L'utilisation de 4 piles AA

1. Branchez le bout de l'adaptateur dans une prise murale.
2. Branchez l'autre bout dans l'entée 9V DC sur le côté gauche du récepteur.
3. Appuyez sur la touche d'alimentation sur le devant du récepteur.
4. Lorsque l'appareil est allumé, une lumière DEL bleue s'allume derrière la touche d'alimentation.



Touche d'alimentation

Utiliser l'adaptateur

Le récepteur peut être alimenté en utilisant soit l'adaptateur fourni ou par 4 piles AA (non incluses).

Allumer le récepteur

1. Installez 4 piles AA.
2. Pendant qu'il n'y a pas de couvercle, vous devriez régler la sensibilité à vos besoins (voir "Réglage de la sensibilité du capteur" à la page 7) et jumeler le capteur à la zone correcte, si vous ne l'avez pas déjà fait. (voir "Jumeler les appareils" ci-dessous). Remplacer le couvercle du compartiment.

Installation des piles dans le capteur de mouvement

- Le capteur de mouvement exige 4 piles AA pour fonctionner. S'il vous plaît voir les instructions ci-dessous pour la façon d'installer les piles et pour monter votre capteur de mouvement correctement.
- Une fois que vous avez installé les piles dans le capteur de mouvement, le capteur démarrera automatiquement, et vous plaît permettre 60 secondes pour que l'unité initialise avant qu'il recommence à détecter le mouvement et envoi des signaux.
- Il sera nécessaire de jumeler le capteur de mouvement et le récepteur avant que les alarmes soient reçues (voir "Jumeler les appareils" ci-dessous).

Allumer le capteur de mouvement

TOUCHES ET CONNEXIONS

SVAT ELECTRONICS
voies la différence

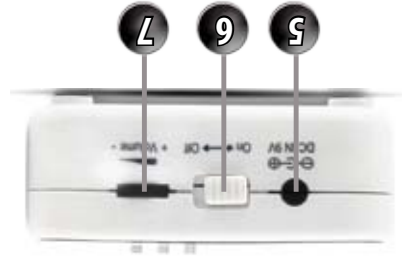
Devant du Récepteur



Devant du Récepteur

- 1. Connexion à 3 fils :** Utilisez ce fil de connexion pour fixer une alarme externe
- 2. Touche de jumelage :** Utilisez cette touche de jumelage cachée pour connecter le récepteur et le capteur de mouvement

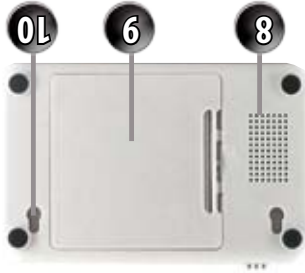
Côté du récepteur



Côté du récepteur

- 5. Entrée 9V DC :** Connecte l'adaptateur AC ici
- 6. Touche DEL ON/OFF :** Utilisez la touche DEL on/off (marche/arrêt) pour allumer ou éteindre les DEL
- 7. Molette de volume :** Utilisez cette molette pour ajuster le volume de l'alarme

Derrière du récepteur



Derrière du récepteur

- 8. Haut-parleur :** Entendez les alarmes de ce haut-parleur
- 9. Compartiment à piles :** Installer 4 piles AA dans le compartiment à piles
- 10. Supports muraux :** Utilisez ces supports pour accrocher le récepteur au mur

Devant du capteur de mouvement



1. **Capteur de mouvement:** Cette zone détecte le mouvement devant le capteur

Devant du capteur de mouvement

Intérieur du compartiment à piles

2. **Touche de jumelage:**

Appuyer sur cette touche pour connecter le capteur de mouvement avec le récepteur

3. **Bouton de sensibilité:**

Le capteur a 2 niveaux de sensibilité, 15pi and 30pi

4. **Compartiment à piles:**

Installer 4 piles AA dans le compartiment à piles

Côté du capteur de mouvement

5. **Clip pour suspendre:**

Utilisez le clip pour suspendre réglable pour fixer le capteur de mouvement à un mur ou à une surface

Côté du capteur de mouvement



Intérieur du compartiment à piles



1. La portée optimale est 250ft lorsque le signal passe à travers les murs ou les planchers. Les foyers à micro-ondes (en cours d'utilisation) peuvent causer l'interruption de signal à une proche portée. Les bâtiments avec des cadres en métal peuvent aussi causer l'interruption de signal. La portée maximale est de 300 pieds. Le capteur de mouvement à plusieurs paramètres de détection qui affectent la distance et la sensibilité maximum de l'unité.
2. Bien que le capteur de mouvement est résistant aux intempéries, s'il vous plaît noter qu'il n'est pas étanche - N'installer pas dans des endroits qui reçoivent beaucoup de pluie et / ou de la neige directe.
3. L'autonomie des piles du capteur de mouvement est de 6-12 mois fondés sur des tests quotidiens qui modèrent l'usage (10 fois/jour). L'autonomie des piles peut varier selon l'utilisation.
4. Les capteurs de mouvement supplémentaires ne sont pas inclus et peuvent être achetés séparément.

aurez toujours accès à un expert.

Notre équipe de service à la clientèle est joignable 24/7 par téléphone, par courriel ou par clavardage, de sorte que vous

Service de soutien technique en direct 24/7 pour la vie

Ceci vous permet de régler la détection de mouvement pour le trafic particulier que vous recevez.

De l'unité d'alarme portatif, vous pouvez activer ou désactiver la détection de mouvement pour chaque zone particulière.

Contrôle de zones

Supplémentaire s'étend lorsque un mouvement est détecté par vos capteurs.

Connecter le récepteur à n'importe quel système de sécurité qui a une entrée d'alarme à trois fils pour que l'alarme

Connectez-vous à votre système de sécurité

Vous pouvez connecter des alarmes externes au récepteur. N'hésitez pas à connecter d'autres alarmes, capteurs de

mouvement ou capteurs de lumière pour qu'ils déclenchent lorsque un mouvement est détecté.

Connexions externes d'alarme

Choisissez votre niveau de sensibilité selon l'endroit où votre capteur de mouvement se trouve. Choisissez d'être averti

Sensibilité réglable

Assurez-vous que tous les secteurs de votre propriété sont bien protégés en ajoutant des capteurs de mouvement supplémentaires. Le récepteur vous informera lorsque un mouvement est détecté pour un maximum de trois entrées ou secteurs et indique quel capteur est en alarme ;

Extensible jusqu'à 3 capteurs

Idéalement, ce système d'alarme sans fil a été conçu pour économiser l'autonomie des piles—dans certains cas, vous n'aurez pas à remplacer les piles pour plus de 6 mois. Lorsque la pile du capteur de mouvement est faible, le récepteur portable vous averti pour toujours être protégé. Le récepteur peut également être alimenté par l'adaptateur inclus.

Soyez complètement sans fil utilisant des piles

N'hésitez pas à placer le capteur de mouvement dehors, dans votre allée ou dans un stationnement limité toute l'année puisque le capteur de mouvement est fait de matériaux résistants aux intempéries qui peuvent résister au vent, la pluie et même la neige.²

Résistant aux intempéries pour usage extérieur

Le capteur réglable peut détecter le mouvement de près et même jusqu'à 30pi de loin. Puisqu'il n'y a pas de fils à installer, la mise en place est simple et vous pouvez être assuré que le signal entre le récepteur et le capteur de mouvement restera fort jusqu'à 300pi de loin.¹

Zone de détection de 30 pieds



Capteurs de mouvement intérieur/extérieur supplémentaires (jusqu'à 2) (VIS101-TX)

ACCESSOIRES FACULTATIFS

Capteur de mouvement intérieur/extérieur



Récepteur



- Clip pour capteur de mouvement
- 4 piles AA
- Matériel de montage
- Outil de jumelage
- Garantie d'un an
- Service de soutien technique en direct 24/7

CE QUI EST INCLUS

1	INFORMATIONS DE LA GARANTIE DU PRODUIT
2	INTRODUCTION
2	CE QUI EST INCLUS
2	ACCESSOIRES FACULTATIFS
2	DISPOSITIFS
3	TOUCHES ET CONNEXIONS
4	FONCTIONNEMENT
5	INSTALLATION
6	DÉPANNAGE
8	SPÉCIFICATIONS
9	

TABLE DES MATIÈRES

Félicitations pour votre achat du VIS101! Soyez toujours au courant quand les invités ou des intrus indésirables visitent votre propriété ou entrent dans une zone d'accès limitée. Ce capteur de mouvement vous avertit lorsqu'un mouvement est détecté jusqu'à 30pi de loin, donc vous n'avez jamais à vous soucier de gens qui vont sur votre propriété à votre insu. Dès que le capteur de mouvement détecte du mouvement, il envoie un signal au récepteur qui déclenchera une alarme et vous donne la notification immédiate que quelque chose se passe dans votre propriété. Ce système a la capacité de développer et supporter jusqu'à trois capteurs de mouvement reliés à un récepteur à la fois pour pouvoir facilement protéger plus de secteurs de votre propriété. Avec le VIS101, vous pouvez vous sentir rassuré de savoir quand vos enfants rentrent le soir ou quand quelqu'un entre dans une zone privée ou une zone d'accès limitée à votre entreprise. Assurez votre sécurité et tranquillité d'esprit avec ce système de détection de mouvement avancé.

INFORMATIONS DE LA GARANTIE DU PRODUIT

S'il vous plaît visitez notre site web à www.SVAT.com pour des informations sur la garantie de votre produit.

Nous prenons la qualité très sérieusement. C'est pourquoi tous nos produits sont livrés avec un an de garantie de la date d'achat originale contre les défauts de fabrication et de matériaux. Si vous avez des questions de garantie ou de soutien, contactez-nous en utilisant l'une des méthodes suivantes:

Téléphone: 1.866.946.7828
 Courriel: support@SVAT-usa.com
 Site web: www.SVAT-usa.com
 SVAT USA 60 Industrial Parkway #Z64 Cheektowaga, NY USA 14227
 SVAT CANADA 4080 Montrose Road Niagara Falls, ON Canada L2H 1J9

Conditions de garantie

1. Les produits de SVAT sont garantis pour une période d'un an de la date d'achat originale contre les défauts de fabrication et de matériaux. Cette garantie est limitée à la réparation, le remplacement ou le remboursement du prix d'achat à l'option de SVAT.
2. Cette garantie est nulle si le produit présente des signes de mauvais usage, d'avoir été malmené ou altéré contraire au manuel d'instruction applicable.
3. Le nettoyage de routine, l'usure normale, cosmétique et mécanique n'est pas couverte sous les termes de cette garantie.
4. La garantie est expressément prévu par le présent contrat est la seule garantie fournie à propos du produit lui-même et aucune autre garantie, exprimée ou implicite est fournie. SVAT n'assume aucune responsabilité pour toute réclamation qui n'est pas spécifiquement mentionné dans cette garantie.
5. Cette garantie ne couvre pas les frais de livraison, d'assurance, ou toutes autres charges.
6. Vous DEVEZ appeler SVAT avant d'envoyer un produit en réparation. Vous recevrez un numéro d'autorisation de retour avec les instructions de retour. Lors du retour du produit pour le service de garantie, s'il vous plaît emballer le produit soigneusement dans la boîte originale avec tous les accessoires fournis, inclure votre reçu original ou une copie, une brève explication du problème et le numéro d'autorisation de retour.
7. Cette garantie est valable uniquement au Canada et aux États-Unis continentaux.
8. Cette garantie ne peut être transférée.

MANUEL D'INSTRUCTIONS

V1.0

* Brevet en instance



ALERTE POUR ALLÉES

avec capteur intérieur/extérieur

Système d'alerte sans fil pour allées

