



**PARTS
CATALOGUE
CATALOGUE
DE PIÈCES DÉTACHÉES**

F2.5AMH Y12 (69MB)



1L69M-300FA

()

F2.5AMH
PARTS CATALOGUE
©2012 by Yamaha Motor Co., Ltd.
1st edition, March 2012
All rights reserved.
Any reprinting or unauthorized use
without the written permission of
Yamaha Motor Co., Ltd.
is expressly prohibited.
Printed in Japan.

F2.5AMH
CATALOGUE DE PIECES DETACHEES
©2012 par Yamaha Motor Co., Ltd.
1^{re} édition, mars 2012
Tous droits réservés
Toute réimpression ou utilisation
non autorisée sans la permission écrite
de la Yamaha Motor Co., Ltd.
est formellement interdite.
Imprimé au Japon

FOREWORD

This Parts Catalogue is related to the parts for the model(s) on the cover page. When you are ordering replacement parts, please refer to this Parts Catalogue and quote both part numbers and part names correctly.

1. Modifications or additions which have been made after the issue of the Parts Catalogue will be announced in the Parts News.
It is advisable that you make the necessary corrections to the Parts Catalogue according to the Parts News.

2. Abbreviations

The following abbreviations are used in this Parts Catalogue.

“UR” Use specified parts number.

“UN” Use as many as needed.

“AP” Alternate Parts

“LM” Locally Made (Parts need to be ordered locally)

“F#” Frame No. (Applicable machine No.)

“O/S” Over Size

3. The number of components for assembly

- Parts, which are to be supplied in an assembly, are listed with a dot (.) in front of the part name as shown below.
- The numeral appearing to the right of each component part indicates the quantity of parts for each assembly unit.

| PART NO. | DESCRIPTION | Q'TY | REMARKS |
|--------------|--------------------------|------|---------|
| 2F5-83310-60 | FRONT FLASHER LIGHT ASSY | 2 | |
| 115-83311-60 | .BULB (6V-18W) | 1 | |

4. Applicable colours of graphics are represented in the “REMARKS” as shown below.

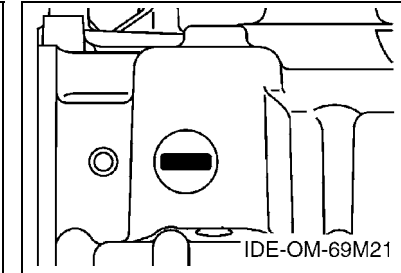
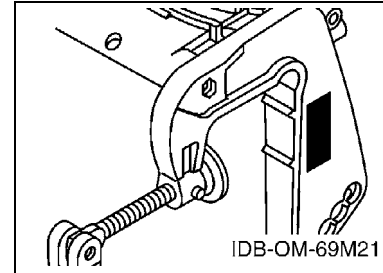
| PART NO. | DESCRIPTION | Q'TY | REMARKS |
|-----------------|---------------------|------|---------|
| 2N4-24110-00-X5 | FUEL TANK COMP. | 2 | MXR |
| 3J1-24240-10 | .GRAPHIC, FUEL TANK | 1 | FOR MXR |

5. Note that the illustrations for reference in finding parts numbers are not to be used for assembling. When assembling, please use the applicable service manual.

6. The asterisk (*) before a reference number indicates modified items after the first edition.

7. Applicable Serial No.

Engine Serial No.



8. Applicable Engine Starting Serial No.

| Model | Serial No. | Model | Serial No. |
|-------|-------------|-------|------------|
| F2.5A | 69M-1078264 | | |
| | | | |
| | | | |
| | | | |

9. Applicable Colour Code

| Abbreviation | Colour Name | Colour Code |
|--------------|-----------------------------|-------------|
| DBNM2 | DARK BLUISH GRAY METALLIC 2 | 004D |

10. Quantity Column Information

| Column No. | Name Of Q'ty Column | Applicable Model |
|------------|---------------------|------------------|
| 1 | 69MB | F2.5AMH |
| | | |
| | | |
| | | |

AVANT-PROPOS

Ce catalogue de pièces détachées concerne les pièces pour le(s) modèle(s) indiqué(s) sur la page de couverture. Lorsque vous commandez des pièces de rechange, veuillez vous référer à ce catalogue de pièces détachées et indiquer clairement les numéros et les noms des pièces détachées.

1. Les modifications ou ajouts ayant été effectués après la parution du catalogue de pièces détachées seront décrits dans les Bulletins d'information concernant les pièces détachées.

Il est recommandé que vous apportiez les corrections nécessaires au catalogue des pièces détachées en vous référant aux Bulletins d'information.

2. Abréviations

Dans ce catalogue, les abréviations suivantes sont utilisées:

“UR” Utiliser le numéro de pièces spécifié.

“UN” Utiliser autant que nécessaire.

“AP” Pièces de substitution

“LM” Fabrication locale (les pièces doivent être commandées localement.)

“F#” N° de cadre (applicable au N° de série)

“O/S” Surdimensionné

3. Nombre de pièces d'un assemblage

- Les pièces fournies comme composants d'un assemblage sont précédées d'un point (.) de la manière indiquée ci-dessous.
- Le chiffre apparaissant à la droite de chaque composant indique la quantité de pièces pour chaque unité d'assemblage.

| N° PIÈCES | DESCRIPTION | QTE | REMARQUES |
|--------------|-----------------------|-----|-----------|
| 2F5-83310-60 | ENS. CLIGNOTANT AVANT | 2 | |
| 115-83311-60 | .AMPOULE (6V-18W) | 1 | |

4. Les couleurs concernant les graphiques sont indiquées dans la colonne “REMARQUES”, comme indiqué ci-dessous.

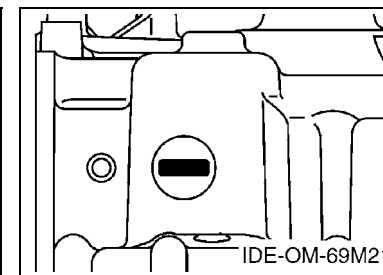
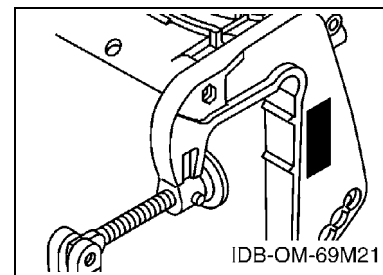
| N° PIÈCES | DESCRIPTION | QTE | REMARQUES |
|-----------------|----------------------|-----|-----------|
| 2N4-24110-00-X5 | RESERVOIR A ESSENCE. | 2 | MXR |
| 3J1-24240-10 | .GRAPHIQUE | 1 | POUR MXR |

5. Veuillez noter que les illustrations sont indiquées à titre de référence pour trouver les numéros de pièces, non pour être utilisées lors de l'assemblage. Lors de l'assemblage, veuillez utiliser le manuel d'entretien adéquat.

6. L'astérisque (*) placé devant un numéro de référence indique des éléments qui ont été modifiés après la première édition.

7. N° de série applicable

N° de Série du moteur



8. N° de série initial du moteur applicable

| Modèle | N° de série | Modèle | N° de série |
|--------|-------------|--------|-------------|
| F2.5A | 69M-1078264 | | |
| | | | |
| | | | |
| | | | |

9. Code couleur applicable

| Abréviation | Nom de la couleur | Code couleur |
|-------------|-----------------------------|--------------|
| DBNM2 | DARK BLUISH GRAY METALLIC 2 | 004D |

10. Informations relatives à la colonne Quantité

| N° de la colonne | Nom de la colonne Qté | Modèle applicable |
|------------------|-----------------------|-------------------|
| 1 | 69MB | F2.5AMH |
| | | |
| | | |
| | | |

CONTENTS

| | |
|------------------------------|----|
| TOP COWLING | 1 |
| CYLINDER & CRANKCASE 1 | 2 |
| CRANKSHAFT & PISTON | 3 |
| CYLINDER & CRANKCASE 2 | 4 |
| VALVE | 6 |
| INTAKE | 7 |
| CARBURETOR | 8 |
| FUEL | 9 |
| STARTER | 11 |
| GENERATOR | 12 |
| BOTTOM COWLING | 13 |
| STEERING | 14 |
| CONTROL | 15 |
| BRACKET | 16 |
| UPPER CASING | 18 |
| LOWER CASING & DRIVE 1 | 19 |
| LOWER CASING & DRIVE 2 | 21 |
| REPAIR KIT 1 | 22 |
| REPAIR KIT 2 | 23 |
| REPAIR KIT 3 | 24 |

INDEX

| | |
|-----------------------|----|
| NUMERICAL INDEX | 25 |
|-----------------------|----|

TABLE DES MATIERES

| | |
|--------------------------------------|----|
| CAPOT SUPERIEUR | 1 |
| CYLINDRE & CARTER 1 | 2 |
| VILEBREQUIN & PISTON | 3 |
| CYLINDRE & CARTER 2 | 4 |
| SOUPAPE | 6 |
| ADMISSION | 7 |
| CARBURATEUR | 8 |
| CARBURANT | 9 |
| DEMARREUR | 11 |
| GENERATRICE | 12 |
| CAPOT INFERIEUR | 13 |
| DIRECTION | 14 |
| COMMANDE | 15 |
| SUPPORT | 16 |
| FOURREAU | 18 |
| BOITIER D'HELICE TRANSMISSION1 | 19 |
| BOITIER D'HELICE TRANSMISSION2 | 21 |
| KITS DE REPARATION 1 | 22 |
| KITS DE REPARATION 2 | 23 |
| KITS DE REPARATION 3 | 24 |

INDEX

| | |
|-----------------------|----|
| INDEX NUMERIQUE | 25 |
|-----------------------|----|

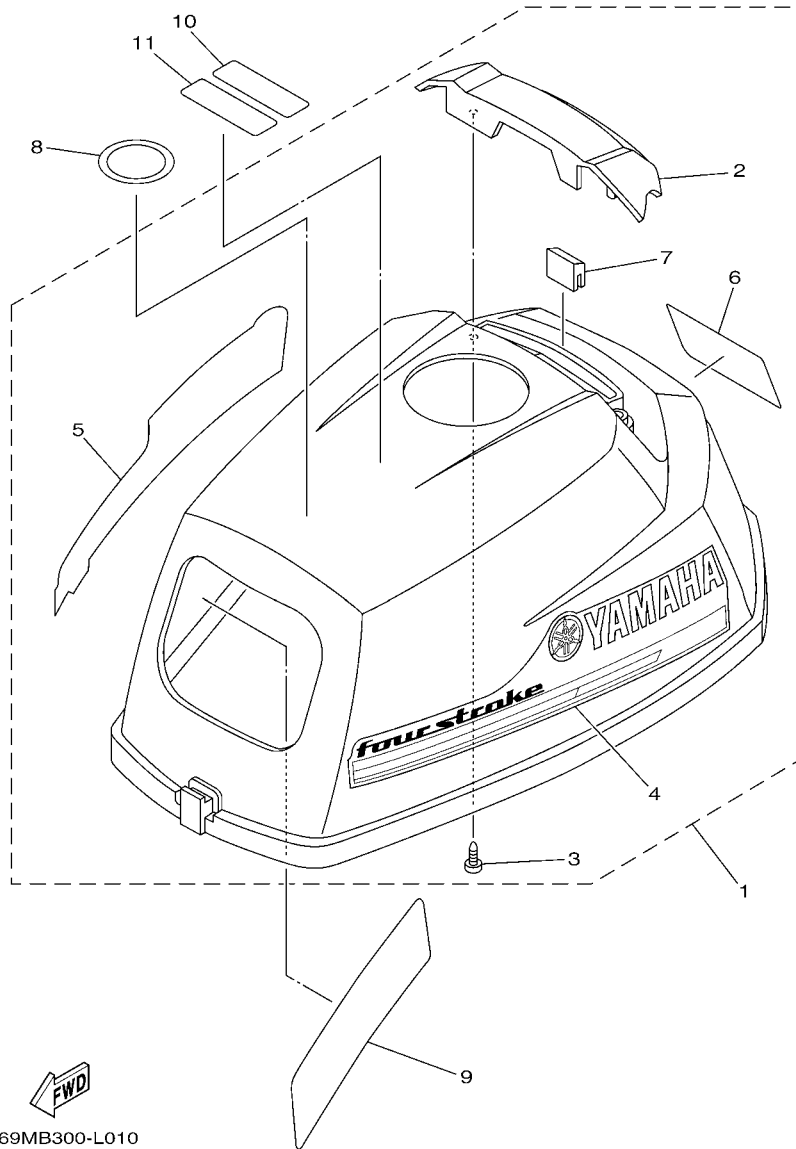


FIG. 1 TOP COWLING

CAPOT SUPERIEUR

| REF. NO. | PART NO. N° PIECES | DESCRIPTION DESCRIPTION | 69MB | | | | REMARKS REMARQUES |
|----------|--------------------|---|------|--|--|--|-------------------|
| 1 | 69M-G2610-30 | TOP COWLING ASSY CAPOT (ENS.) | 1 | | | | |
| 2 | 69M-G2613-00 | .MOLDING, AIR DUCT .MANCHON A AIR | 1 | | | | |
| 3 | 97780-40012 | .SCREW, TAPPING .VIS, TETE BOMBEE | 2 | | | | |
| 4 | 6S7-42675-00 | .GRAPHIC, SIDE 1 .EMBLEME | 1 | | | | |
| 5 | 6S7-42676-00 | .GRAPHIC, SIDE 2 .EMBLEME | 1 | | | | |
| 6 | 69M-42678-30 | .GRAPHIC, REAR .ADHESIF, ARRIERE | 1 | | | | |
| 7 | 69M-42662-00 | .DAMPER .AMORTISSEUR | 1 | | | | |
| 8 | 60R-E3434-00 | LABEL, CAUTION ETIQUETTE, ATTENTION | 1 | | | | |
| 9 | 69M-E4427-60 | LABEL, INSTRUCTION ETIQUETTE, INSTRUCTION | 1 | | | | |
| 10 | 6S7-42698-40 | LABEL, WARNING (FUEL) ETIQUETTE, AVERTISSEMENT | 1 | | | | |
| 11 | 6S7-42698-50 | LABEL, WARNING (FUEL) ETIQUETTE, AVERTISSEMENT | 1 | | | | |

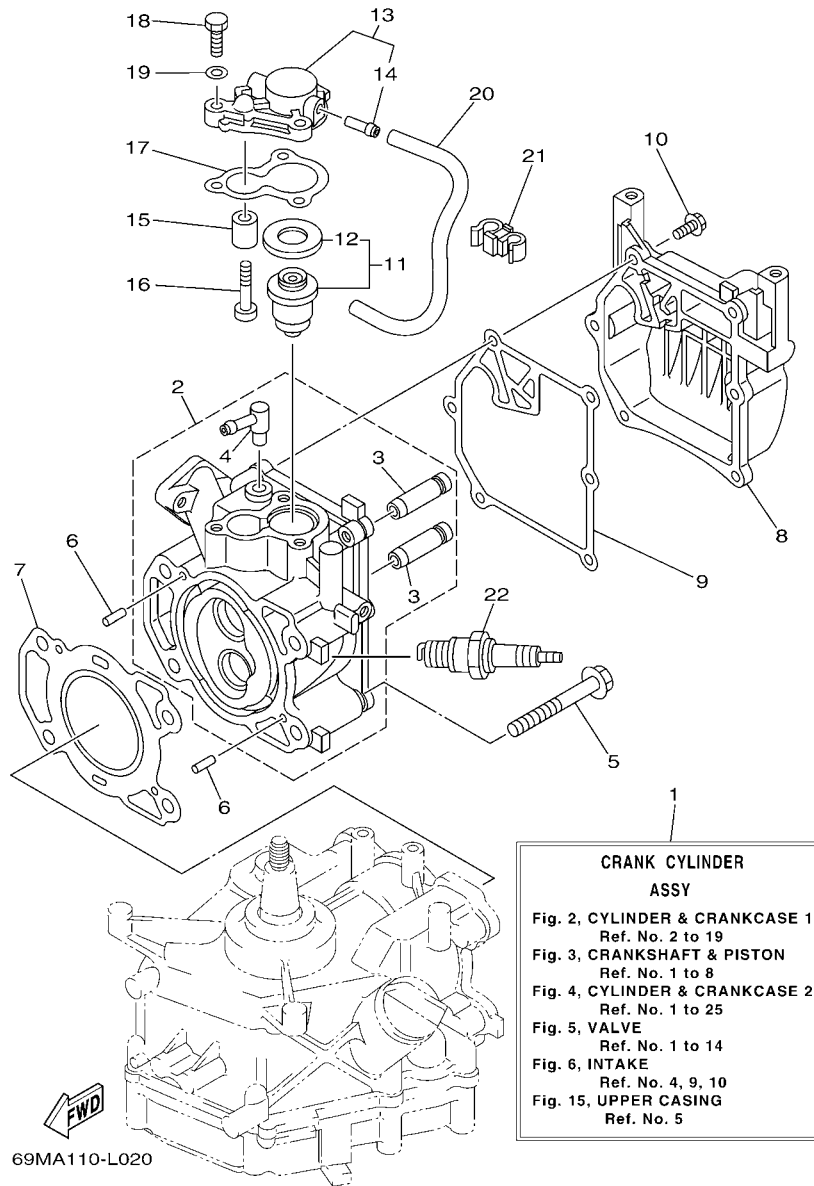
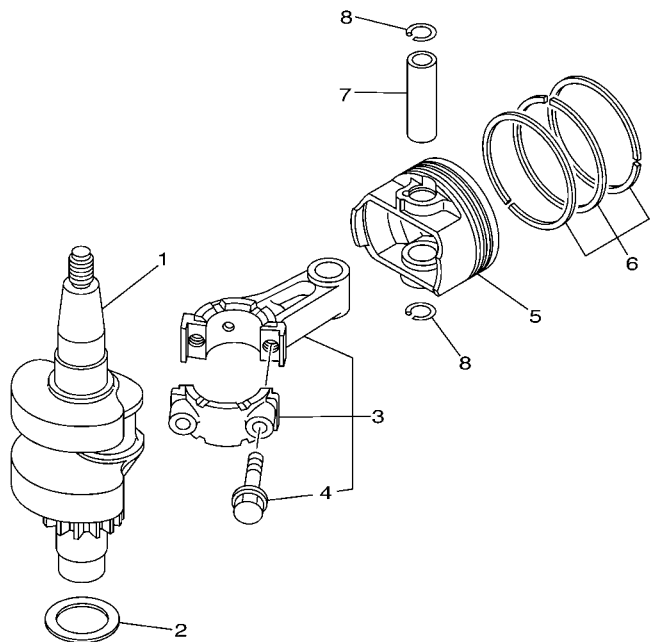


FIG. 2 CYLINDER & CRANKCASE 1 CYLINDRE & CARTER 1

| REF. NO. | PART NO. N° PIECES | DESCRIPTION DESCRIPTION | 69MB | | | | REMARKS REMARQUES |
|----------|--------------------|--|------|--|--|--|-------------------|
| 1 | 69M-WE090-01-1S | CRANK CYLINDER ASSY EMBIELLAGE CYLINDRE (ENS.) | 1 | | | | |
| 2 | 69M-E1111-01-1S | HEAD, CYLINDER 1 CULASSE | 1 | | | | |
| 3 | 67D-11133-10 | .GUIDE, VALVE 1 .GUIDE, SOUPAPE 1 | 2 | | | | |
| 4 | 676-11372-00 | .NIPPLE, HOSE .RACCORD, TUYAU | 1 | | | | |
| 5 | 90105-08M36 | BOLT, FLANGE BOULON | 4 | | | | |
| 6 | 93604-12M07 | PIN, DOWEL CLAVETTE | 2 | | | | |
| 7 | 69M-11181-00 | GASKET, CYLINDER HEAD 1 JOINT, DE CULASSE 1 | 1 | | | | |
| 8 | 69M-E1191-00-1S | COVER, CYLINDER HEAD 1 COUVERCLE, CULASSE 1 | 1 | | | | |
| 9 | 69M-11193-A0 | GASKET, HEAD COVER 1 JOINT, COUVERCLE DE CULASSE 1 | 1 | | | | |
| 10 | 90105-06039 | BOLT, FLANGE BOULON | 6 | | | | |
| 11 | 69M-12411-01 | THERMOSTAT THERMOSTAT | 1 | | | | |
| 12 | 688-12412-00 | .SEAL, THERMOSTAT .JOINT, THERMOSTAT | 1 | | | | |
| 13 | 69M-E2413-00-1S | COVER, THERMOSTAT COUVERCLE, THERMOSTAT | 1 | | | | |
| 14 | 650-24378-00 | .PIPE, JOINT 4 .DURITE RACCORDEMENT 3 | 1 | | | | |
| 15 | 68D-E1325-00 | ANODE ANODE | 1 | | | | |
| 16 | 97880-05025 | SCREW, PAN HEAD VIS, TETE TRONCONIQUE | 1 | | | | |
| 17 | 68D-E2414-A0 | GASKET, COVER JOINT, COUVERCLE | 1 | | | | |
| 18 | 97095-06020 | BOLT BOULON | 3 | | | | |
| 19 | 92995-06600 | WASHER RONDELLE | 3 | | | | |
| 20 | 90445-09808 | HOSE (L240) DURITE (L240) | 1 | | | | |
| 21 | 90464-09013 | CLAMP BRIDE | 1 | | | | |
| 22 | 94702-00248 | PLUG, SPARK (NGK BR6HS) BOUGIE D,ALLUMAGE (NGK BR6HS) | 1 | | | | |

FIG. 3 CRANKSHAFT & PISTON

VILEBREQUIN & PISTON

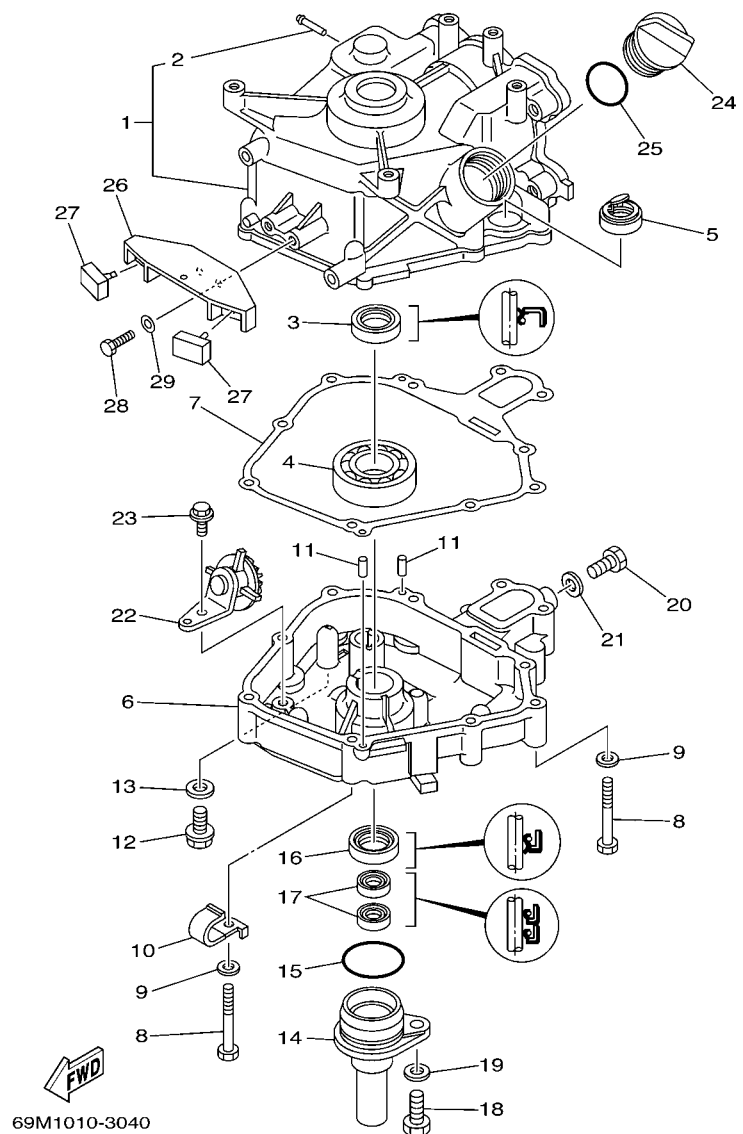


| REF. NO. | PART NO. N° PIECES | DESCRIPTION DESCRIPTION | 69MB | | | | REMARKS REMARQUES |
|----------|--------------------|--|------|--|--|--|-------------------|
| 1 | 69M-11400-00 | CRANKSHAFT ASSY VILEBREQUIN COMPLET | 1 | | | | |
| 2 | 90201-23008 | WASHER, PLATE RONDELLE, PLATE | 1 | | | | |
| 3 | 69M-11650-00 | CONNECTING ROD ASSY BIELLE COMPLETE | 1 | | | | |
| 4 | 7FK-11654-00 | .BOLT, CONNECTING ROD .BOULON, BIELLE | 2 | | | | |
| 5 | 69M-E1631-01-96 | PISTON (STD) PISTON (STD) | 1 | | | | |
| | 69M-E1635-01 | PISTON (0.25MM O/S) PISTON (0.25MM O/S) | 1 | | | | AP |
| | 69M-E1636-01 | PISTON (0.50MM O/S) PISTON (0.50MM O/S) | 1 | | | | AP |
| 6 | 69M-E1603-01 | PISTON RING SET (STD) JEU DE SEGMENTS (STD) | 1 | | | | |
| | 69M-E1604-01 | PISTON RING SET (0.25MM O/S) JEU DE SEGMENTS (0.25MM O/S) | 1 | | | | AP |
| | 69M-E1605-01 | PISTON RING SET (0.50MM O/S) JEU DE SEGMENTS (0.50MM O/S) | 1 | | | | AP |
| 7 | 69M-E1633-00 | PIN, PISTON AXE, PISTON | 1 | | | | |
| 8 | 93450-13130 | CIRCLIP CIRCLIP, TYPE S | 2 | | | | |



69M1010-3030

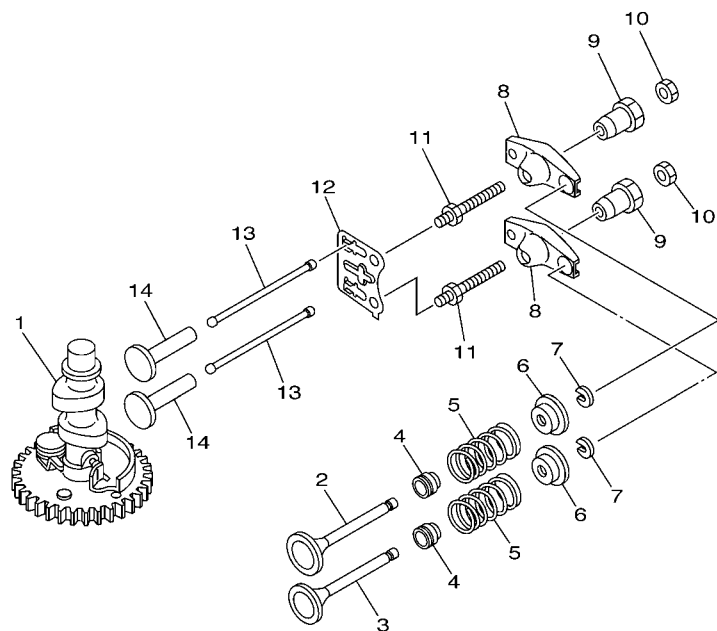
FIG. 4 CYLINDER & CRANKCASE 2 CYLINDRE & CARTER 2



| REF. NO. | PART NO. N° PIECES | DESCRIPTION DESCRIPTION | 69MB | | | | REMARKS REMARQUES |
|----------|--------------------|--|------|--|--|--|-------------------|
| 1 | 69M-E1311-00-1S | CYLINDER 1 CYLINDRE 1 | 1 | | | | |
| 2 | 6H1-14485-00 | .PIPE, JOINT .DURITE | 1 | | | | |
| 3 | 93102-20108 | OIL SEAL JOINT SPY | 1 | | | | |
| 4 | 93306-272Y2 | BEARING ROULEMENT | 1 | | | | |
| 5 | 69M-15361-00 | GAUGE, LEVEL JAUGE A HUILE | 1 | | | | |
| 6 | 69M-E5111-00-1S | CRANKCASE 1 CARTER DE MOTEUR | 1 | | | | |
| 7 | 69M-11351-A0 | GASKET, CYLINDER JOINT, D'EMBASE | 1 | | | | |
| 8 | 97013-06045 | BOLT BOULON | 10 | | | | |
| 9 | 92903-06600 | WASHER, PLATE RONDELLE, PLATE | 10 | | | | |
| 10 | 90465-08M99 | CLAMP BRIDE | 1 | | | | |
| 11 | 93604-12M07 | PIN, DOWEL CLAVETTE | 2 | | | | |
| 12 | 90105-08M76 | BOLT, FLANGE BOULON | 1 | | | | |
| 13 | 90201-08818 | WASHER, PLATE RONDELLE, PLATE | 1 | | | | |
| 14 | 69M-E5396-00-5B | HOUSING, OIL SEAL LOGEMENT DE JOINT SPY | 1 | | | | |
| 15 | 93210-35537 | O-RING JOINT TORIQUE | 1 | | | | |
| 16 | 93102-20108 | OIL SEAL JOINT SPY | 1 | | | | |
| 17 | 93102-09004 | OIL SEAL JOINT SPY | 2 | | | | |
| 18 | 97095-08020 | BOLT BOULON | 1 | | | | |
| 19 | 92995-08600 | WASHER RONDELLE | 1 | | | | |
| 20 | 97095-08014 | BOLT BOULON | 1 | | | | |
| 21 | 90430-08800 | GASKET JOINT | 1 | | | | |
| 22 | 69M-E3102-00 | GEAR UNIT ASSY PIGNON | 1 | | | | |
| 23 | 95817-06012 | BOLT, FLANGE BOULON, A COLLERETTE | 1 | | | | |
| 24 | 69M-E5363-00 | PLUG, OIL PLOT, HUILE | 1 | | | | |
| 25 | 93210-24M79 | O-RING JOINT TORIQUE | 1 | | | | |
| 26 | 69M-G2743-00 | BRACKET SUPPORT | 1 | | | | |
| 27 | 6G8-44532-00 | STOPPER, UPPER MOUNT PLAQUETTE | 2 | | | | |

FIG. 5 VALVE

SOUPAPE



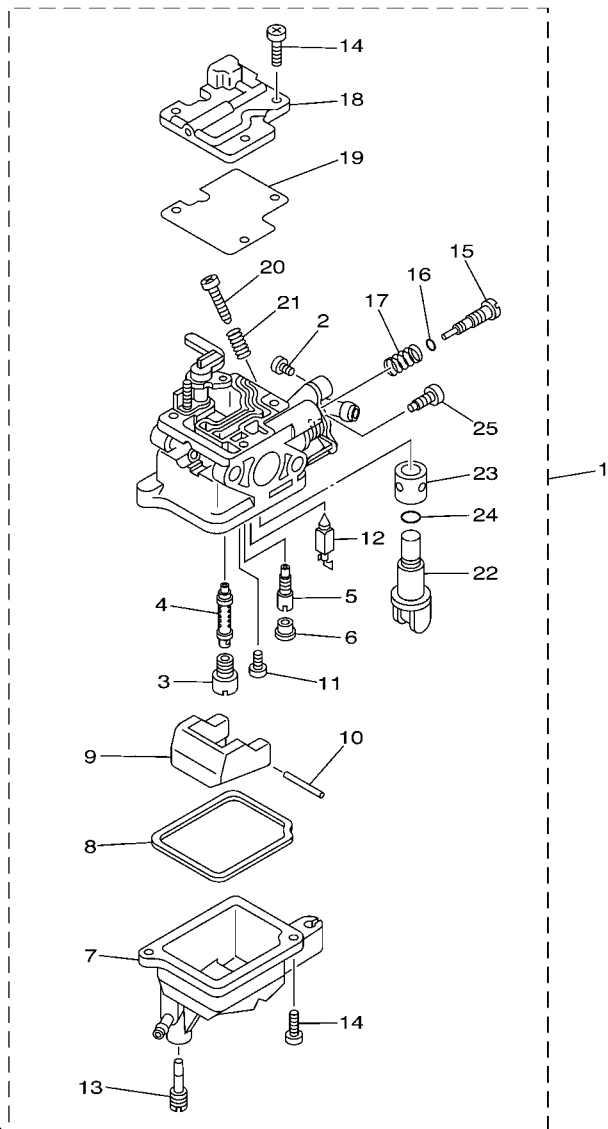
| REF. NO. | PART NO. N° PIECES | DESCRIPTION DESCRIPTION | 69MB | | | | REMARKS REMARQUES |
|----------|--------------------|---|------|--|--|--|-------------------|
| 1 | 69M-12170-01 | CAMSHAFT ASSY 1 ENS ARBRE A CAMES 1 | 1 | | | | |
| 2 | 6AU-12111-00 | VALVE, INTAKE SOUPAPE, ADMISSION | 1 | | | | |
| 3 | 6AU-12121-00 | VALVE, EXHAUST SOUPAPE, ECHAPPEMENT | 1 | | | | |
| 4 | 51Y-12119-00 | SEAL, VALVE STEM JOINT, QUEUE DE SOUPAPE | 2 | | | | |
| 5 | 68D-E2113-00 | SPRING, VALVE INNER RESSORT DE SOUPAPE, INTERNE | 2 | | | | |
| 6 | 7NJ-12117-00 | RETAINER, VALVE SPRING BUTEE DE RESSORT DE SOUPAPE | 2 | | | | |
| 7 | 7NJ-12118-00 | COTTER, VALVE FRAISE, SOUPAPE | 2 | | | | |
| 8 | 67D-12151-00 | ARM, VALVE ROCKER CULBUTEUR | 2 | | | | |
| 9 | 7FK-12165-00 | PIVOT, ROCKER ARM PIVOT, CULBUTEUR | 2 | | | | |
| 10 | 7FK-12158-00 | NUT, LOCK CONTRE-ECROU | 2 | | | | |
| 11 | 67D-12157-00 | BOLT BOULON | 2 | | | | |
| 12 | 69M-E2155-00 | GUIDE, PUSH ROD GUIDE, TIGE-POUSSOIR | 1 | | | | |
| 13 | 69M-12154-00 | ROD, VALVE PUSH TIGE DE LEVE-SOUPAPE | 2 | | | | |
| 14 | JA9-12153-00 | LIFTER, VALVE LEVE-SOUPAPE | 2 | | | | |
| | | | | | | | |
| | | | | | | | |
| | | | | | | | |
| | | | | | | | |



69M1010-3050

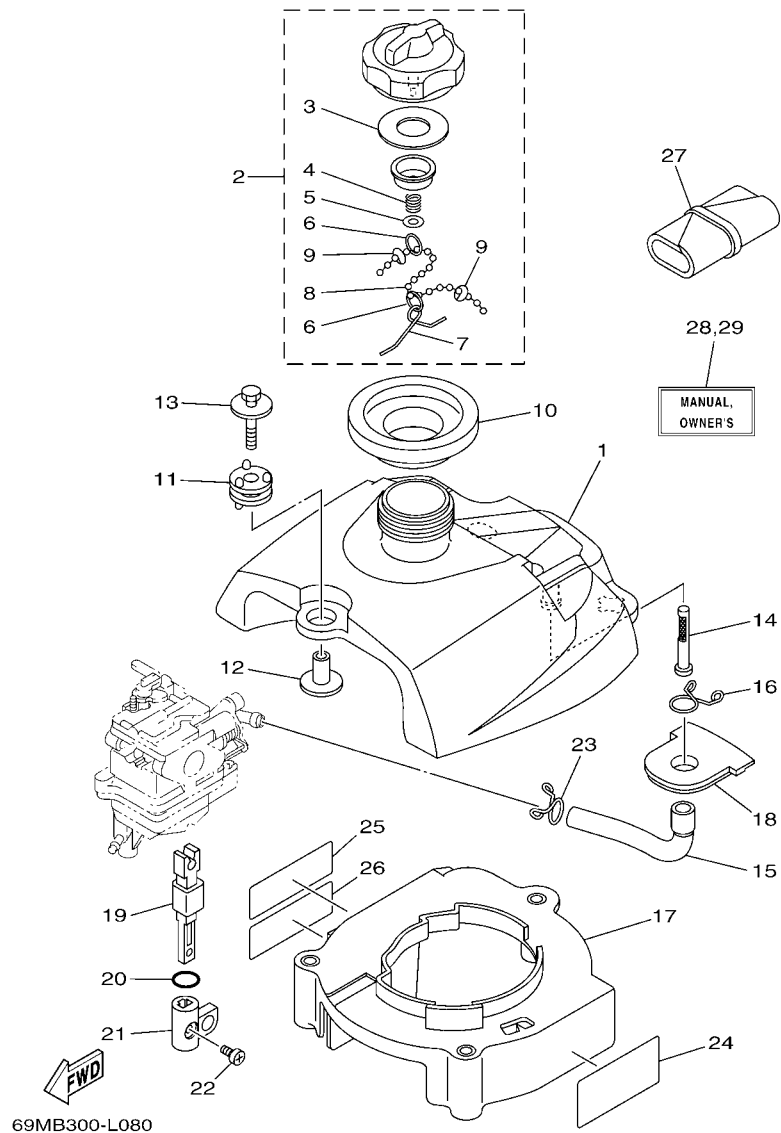
FIG. 7 CARBURETOR

CARBURATEUR



69M1010-3070

| REF. NO. | PART NO. N° PIECES | DESCRIPTION DESCRIPTION | 69MB | | | | REMARKS REMARQUES |
|----------|--------------------|---|------|--|--|--|-------------------|
| 1 | 69M-14301-21 | CARBURETOR ASSY 1 CARBURATEUR COMPLET 1 | 1 | | | | |
| 2 | 97890-04007 | .SCREW, PAN HEAD .VIS, CRUCIFORME | 2 | | | | |
| 3 | 69M-14343-31 | .JET, MAIN (# 62) .GICLEUR, PRINCIPAL (# 62) | 1 | | | | |
| 4 | 69M-14341-00 | .NOZZLE, MAIN .PUITS D'AIGUILLE | 1 | | | | |
| 5 | 69M-14342-68 | .JET, PILOT (#37) .GICLEUR, RALENTI (#37) | 1 | | | | |
| 6 | 69M-14966-00 | .BUSH .BAGUE | 1 | | | | |
| 7 | 69M-14381-00 | .BODY, FLOAT CHAMBER .CORPS, CUVE DE FLOTTEUR | 1 | | | | |
| 8 | 69M-14984-00 | .GASKET, FLOAT CHAMBER .JOINT, CUVE DE FLOTTEUR | 1 | | | | |
| 9 | 69M-14385-00 | .FLOAT .FLOTTEUR | 1 | | | | |
| 10 | 6A1-14386-00 | .PIN, FLOAT .AXE, FLOTTEUR | 1 | | | | |
| 11 | 98580-03005 | .SCREW, PAN HEAD .VIS | 1 | | | | |
| 12 | 62Y-14392-00 | .VALVE, NEEDLE .POINTEAU | 1 | | | | |
| 13 | 69M-14991-00 | .SCREW .VIS | 1 | | | | |
| 14 | 98580-04010 | .SCREW, PAN HEAD .VIS | 5 | | | | |
| 15 | 69M-14323-20 | .SCREW, AIR ADJUSTING .VIS DE DOSEUR D'AIR | 1 | | | | |
| 16 | 2T4-14397-00 | .O-RING .JOINT TORIQUE | 1 | | | | |
| 17 | 62Y-14334-00 | .SPRING, AIR ADJUSTING .RESSORT, VIS DE DOSEUR D'AIR | 1 | | | | |
| 18 | 69M-14527-00 | .PLATE .PLAQUE | 1 | | | | |
| 19 | 69M-14536-00 | .GASKET .JOINT | 1 | | | | |
| 20 | 69W-14321-00 | .SCREW, THROTTLE .VIS, ACCELERATEUR | 1 | | | | |
| 21 | 62Y-14212-00 | .SPRING, PILOT ADJUSTING .RESSORT, VIS DE RALENTI | 1 | | | | |
| 22 | 69M-24524-00 | .LEVER, COCK .LEVIER, ROBINET | 1 | | | | |
| 23 | 69M-24523-00 | .VALVE .SOUPAPE | 1 | | | | |
| 24 | 69M-24533-00 | .O-RING .JOINT TORIQUE | 1 | | | | |
| 25 | 69M-24535-00 | .SCREW, LEVER FITTING .VIS, FIXATION DE LEVIER | 1 | | | | |



69MB300-L080

FIG. 8 FUEL

CARBURANT

| REF. NO. | PART NO. N° PIECES | DESCRIPTION DESCRIPTION | 69MB | | | | REMARKS REMARQUES |
|----------|--------------------|---|------|--|--|--|-------------------|
| 1 | 69M-F4111-01 | TANK, FUEL RESERVOIR, A ESSENCE | 1 | | | | |
| 2 | 68D-24610-10 | CAP ASSY BOUCHON | 1 | | | | |
| 3 | 68D-24612-00 | .PACKING, CAP .JOINT, BOUCHON | 1 | | | | |
| 4 | 90501-100A5 | .SPRING, COMPRESSION .RESSORT, COMPRESSION | 1 | | | | |
| 5 | 92990-04200 | .WASHER, PLAIN .RONDELLE, PLATE | 1 | | | | |
| 6 | 90468-100A0 | .CLIP .JONC | 2 | | | | |
| 7 | 624-24634-00 | .HOOK, CHAIN BALL .ATTACHE | 1 | | | | |
| 8 | 69M-24633-00 | .CHAIN, BALL .CHANE DE BALLE | 1 | | | | |
| 9 | 67D-21757-00 | .WASHER, SPECIAL 1 .RONDELLE, SPECIALE 1 | 2 | | | | |
| 10 | 69M-24641-01 | GASKET, CAP 1 JOINT 1, BOUCHON | 1 | | | | |
| 11 | 69M-F4375-00 | GROMMET OEILLET CAOUTCHOUC | 3 | | | | |
| 12 | 90387-06176 | COLLAR COLLERETTE | 3 | | | | |
| 13 | 90119-06098 | BOLT, WITH WASHER BOULON, AVEC RONDELLE | 3 | | | | |
| 14 | 6L5-24251-00 | STRAINER 1 FILTRE 1 | 1 | | | | |
| 15 | 69M-F4311-00 | PIPE, FUEL 1 DURITE A ESSENCE | 1 | | | | |
| 16 | 90467-13M13 | .CLIP .JONC | 1 | | | | |
| 17 | 69M-F4191-00 | BRACKET, FUEL TANK 1 SUPPORT 1, RESERVOIR A ESSENCE | 1 | | | | |
| 18 | 69M-F4181-00 | DAMPER, LOCATING 1 SILENT-BLOC 1 | 1 | | | | |
| 19 | 69M-24554-00 | SHAFT, COCK AXE, MANETTE DU ROBINET | 1 | | | | |
| 20 | 93210-13M43 | O-RING JOINT TORIQUE | 1 | | | | |
| 21 | 69M-24575-00 | LEVER, FUEL CHANGE LEVIER, D'ESSENCE | 1 | | | | |
| 22 | 90159-05M12 | SCREW, WITH WASHER VIS, AVEC RONDELLE | 1 | | | | |
| 23 | 90467-11M08 | .CLIP .JONC | 1 | | | | |
| 24 | 69M-E3437-60 | MARK, CAUTION MAKER | 1 | | | | |
| 25 | 6AH-81994-40 | LABEL, SAFETY ETIQUETTE, SECURITE | 1 | | | | |
| 26 | 6AH-81994-50 | LABEL, SAFETY ETIQUETTE, SECURITE | 1 | | | | |
| 27 | 69M-F8100-00 | TOOL KIT TROUSSE A OUTILS | 1 | | | | AP AP |

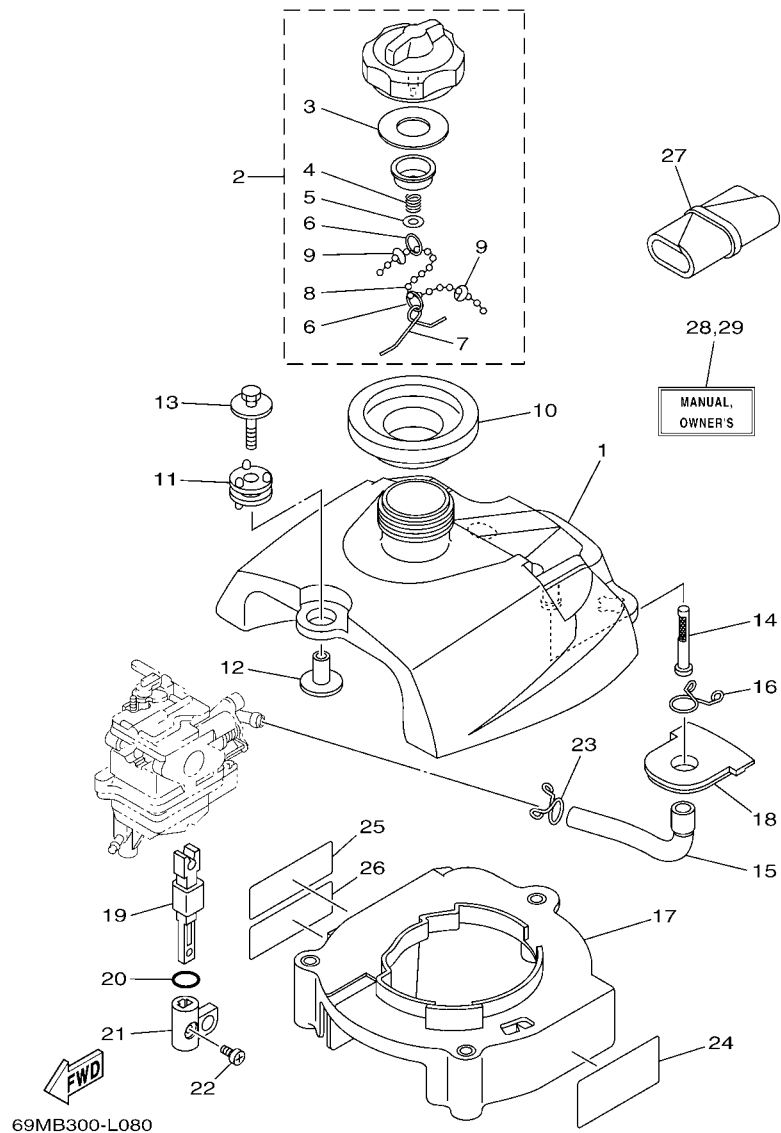
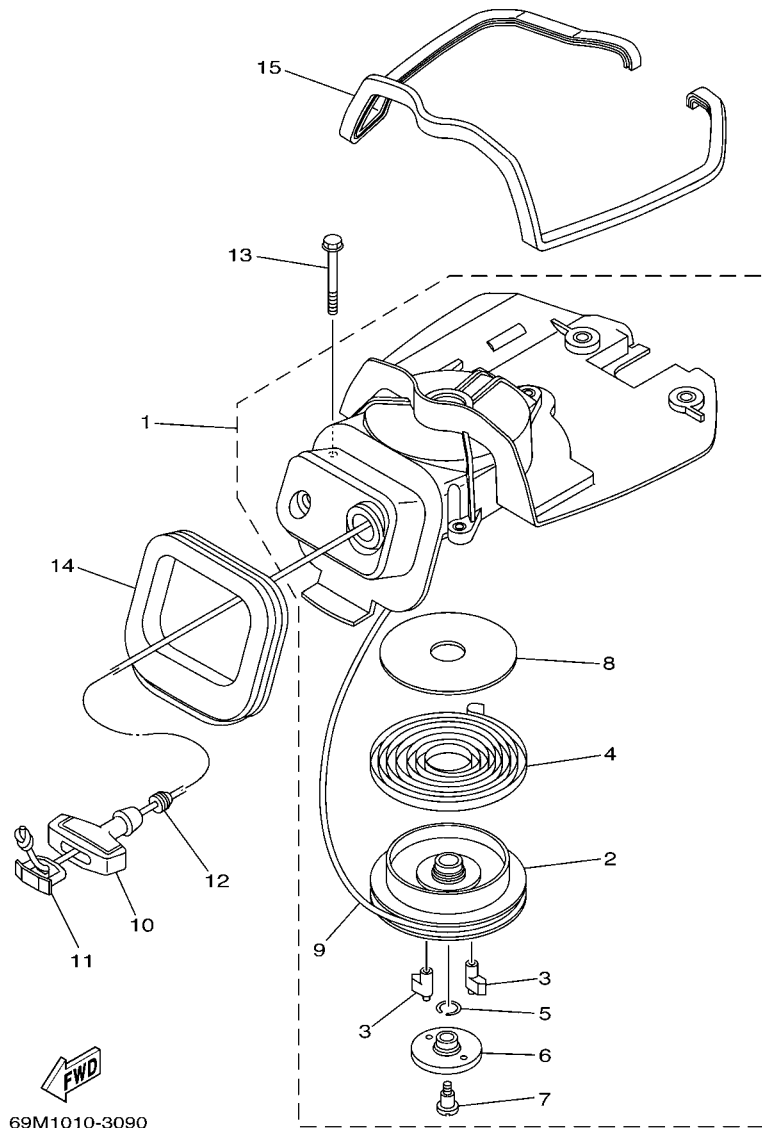


FIG. 8 FUEL

CARBURANT

| REF. NO. | PART NO. N° PIECES | DESCRIPTION DESCRIPTION | 69MB | | | REMARKS REMARQUES |
|----------|--------------------|--|------|--|--|--------------------|
| 28 | 6BV-F8199-72-E0 | MANUAL,OWNER'S MANUEL D'UTILISATION | 1 | | | UR (E) UR (E) |
| | 6BV-F8199-72-F0 | MANUAL,OWNER'S MANUEL D'UTILISATION | 1 | | | UR (F) UR (F) |
| | 6BV-F8199-72-S0 | MANUAL,OWNER'S MANUEL D'UTILISATION | 1 | | | UR (ES) UR (ES) |
| | 6BV-F8199-72-G0 | MANUAL,OWNER'S MANUEL D'UTILISATION | 1 | | | UR (D) UR (D) |
| | 6BV-F8199-72-D0 | MANUAL,OWNER'S MANUEL D'UTILISATION | 1 | | | UR (NL) UR (NL) |
| | 6BV-F8199-72-H0 | MANUAL,OWNER'S MANUEL D'UTILISATION | 1 | | | UR (I) UR (I) |
| 29 | 6BV-F8199-82-K0 | MANUAL,OWNER'S MANUEL D'UTILISATION | 1 | | | UR (DK) UR (DK) |
| | 6BV-F8199-82-R0 | MANUAL,OWNER'S MANUEL D'UTILISATION | 1 | | | UR (GR) UR (GR) |
| | 6BV-F8199-82-P0 | MANUAL,OWNER'S MANUEL D'UTILISATION | 1 | | | UR (P) UR (P) |
| | 6BV-F8199-82-N0 | MANUAL,OWNER'S MANUEL D'UTILISATION | 1 | | | UR (N) UR (N) |
| | 6BV-F8199-82-M0 | MANUAL,OWNER'S MANUEL D'UTILISATION | 1 | | | UR (S) UR (S) |
| | 6BV-F8199-82-L0 | MANUAL,OWNER'S MANUEL D'UTILISATION | 1 | | | UR (SF) UR (SF) |



69M1010-3090

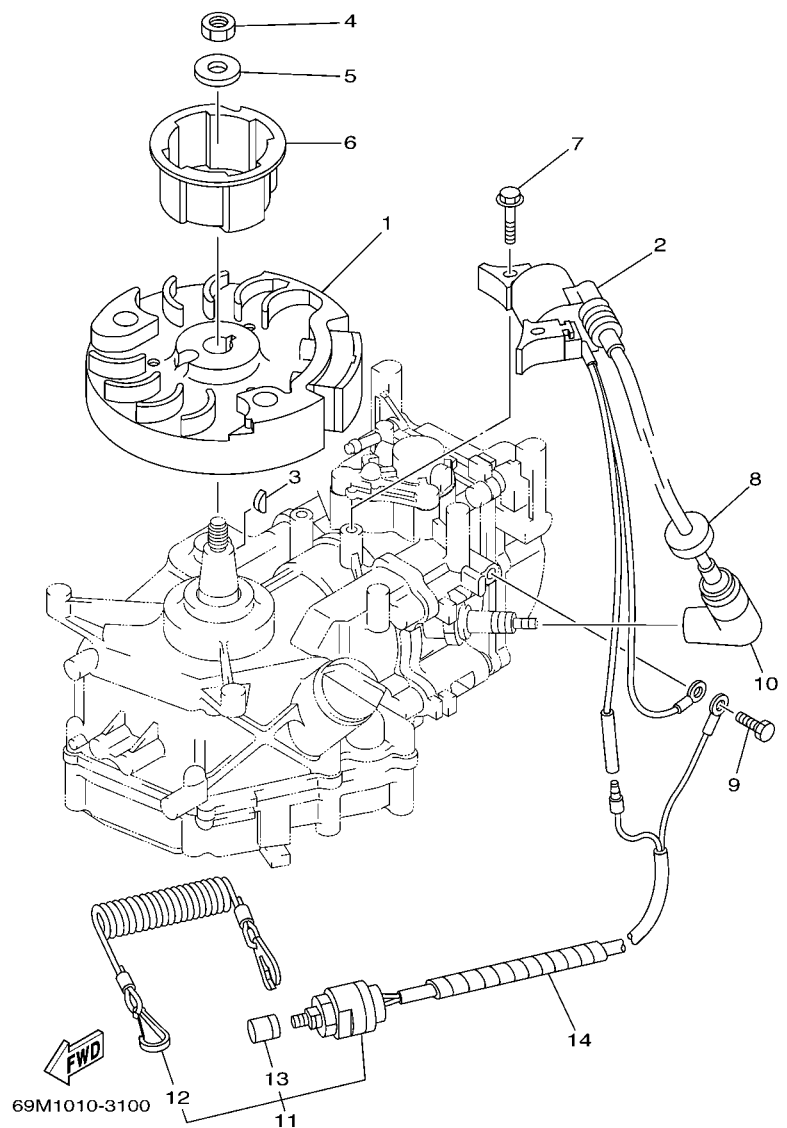
FIG. 9 STARTER

DEMARREUR

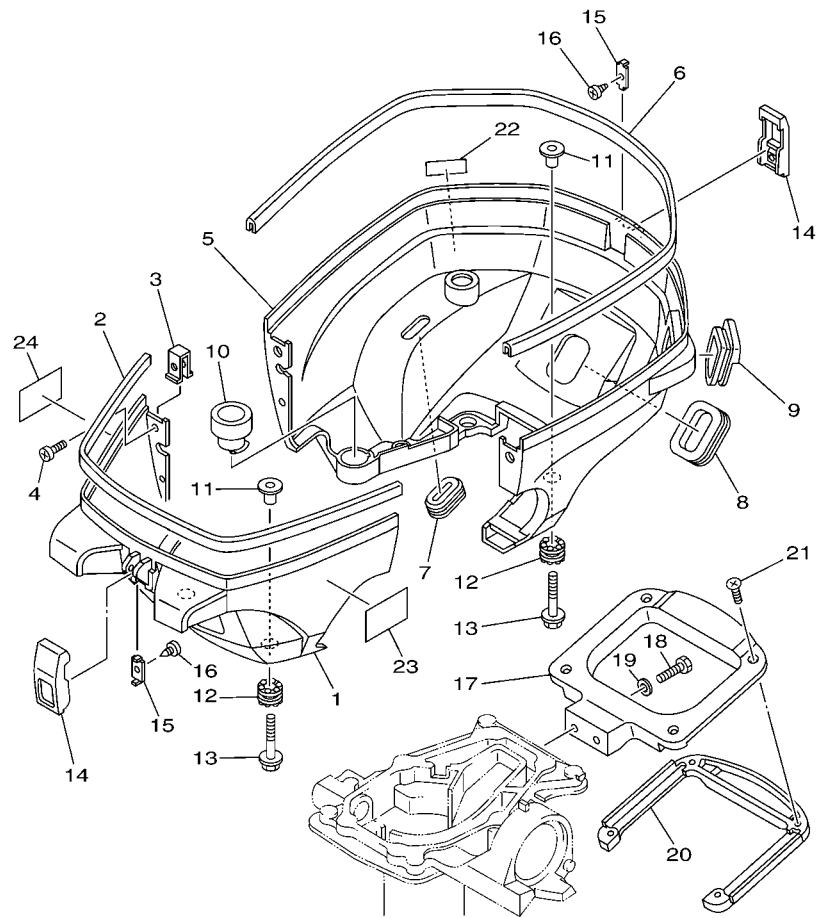
| REF. NO. | PART NO. N° PIECES | DESCRIPTION DESCRIPTION | 69MB | | | | REMARKS REMARQUES |
|----------|--------------------|---|------|--|--|--|-------------------|
| 1 | 69M-15710-00 | STARTER ASSY DEMARREUR COMPLET | 1 | | | | |
| 2 | 69M-15714-00 | .DRUM, SHEAVE .TAMBOUR, POULIE | 1 | | | | |
| 3 | 69M-15741-00 | .PAWL, DRIVE .CLIQUET, ENTRAINEMENT | 2 | | | | |
| 4 | 67D-15713-00 | .SPRING, STARTER .RESSORT DE DEMARREUR | 1 | | | | |
| 5 | 67D-15705-00 | .SPRING, DRIVE PAWL .RESSORT DE CLIQUET | 1 | | | | |
| 6 | 69M-15735-00 | .GUIDE, CAM .COULISSEAU | 1 | | | | |
| 7 | 69M-15793-00 | .SCREW .VIS | 1 | | | | |
| 8 | 69M-15739-00 | .WASHER, THRUST .RONDELLE, DE BUTEE | 1 | | | | |
| 9 | 69M-15751-00 | .WIRE, STARTER (L:1500MM) .CABLE DE DEMARREUR (L:1500MM) | 1 | | | | |
| 10 | 6G1-15755-00 | HANDLE, STARTER POIGNEE, DE DEMARREUR | 1 | | | | |
| 11 | 6G1-15779-00 | COVER COUVERCLE | 1 | | | | |
| 12 | 69M-E5789-00 | DAMPER AMORTISSEUR | 1 | | | | |
| 13 | 97595-06560 | BOLT, WITH WASHER VIS HEXAGONAL AVEC RONDELLE | 3 | | | | |
| 14 | 69M-15762-00 | SEAL, RUBBER 2 JOINT CAOUTCHOUC 2 | 1 | | | | |
| 15 | 69M-24182-00 | DAMPER, LOCATING 2 SILENT-BLOC | 1 | | | | |

FIG. 10 GENERATOR

GENERATRICE



| REF. NO. | PART NO. N° PIECES | DESCRIPTION DESCRIPTION | 69MB | | | | REMARKS REMARQUES |
|----------|--------------------|---|------|--|--|--|-------------------|
| 1 | 69M-85650-00 | ROTOR ASSY ROTOR COMPLET | 1 | | | | |
| 2 | 69M-85640-00 | T.C.I. UNIT ASSY ENS. BLOC T.C.I. | 1 | | | | |
| 3 | 90280-04M06 | KEY, WOODRUFF CLAVETTE, DEMI-LUNE | 1 | | | | |
| 4 | 90170-10M33 | NUT ECROU | 1 | | | | |
| 5 | 90201-105A2 | WASHER, PLATE RONDELLE, PLATE | 1 | | | | |
| 6 | 69M-15723-00 | PULLEY, STARTER POULIE DE DEMARREUR | 1 | | | | |
| 7 | 90105-06M24 | BOLT, FLANGE BOULON | 2 | | | | |
| 8 | 90480-25161 | GROMMET PASSE-FIL | 1 | | | | |
| 9 | 97095-06012 | BOLT BOULON | 1 | | | | |
| 10 | 6E3-82370-21 | PLUG CAP ASSY ANTIPARASITE | 1 | | | | |
| 11 | 65W-82575-01 | ENGINE STOP SWITCH ASSY COUPE CIRCUIT CPLT | 1 | | | | |
| 12 | 682-82556-00 | .LANYARD, STOP SWITCH .CORDON DU COUPE CIRCUIT | 1 | | | | |
| 13 | 689-8257Y-00 | .CAP .COUVERCLE | 1 | | | | |
| 14 | 90446-06M90 | HOSE (L120) DURITE (L120) | 1 | | | | |
| ----- | | | | | | | |
| ----- | | | | | | | |
| ----- | | | | | | | |
| ----- | | | | | | | |
| ----- | | | | | | | |
| ----- | | | | | | | |

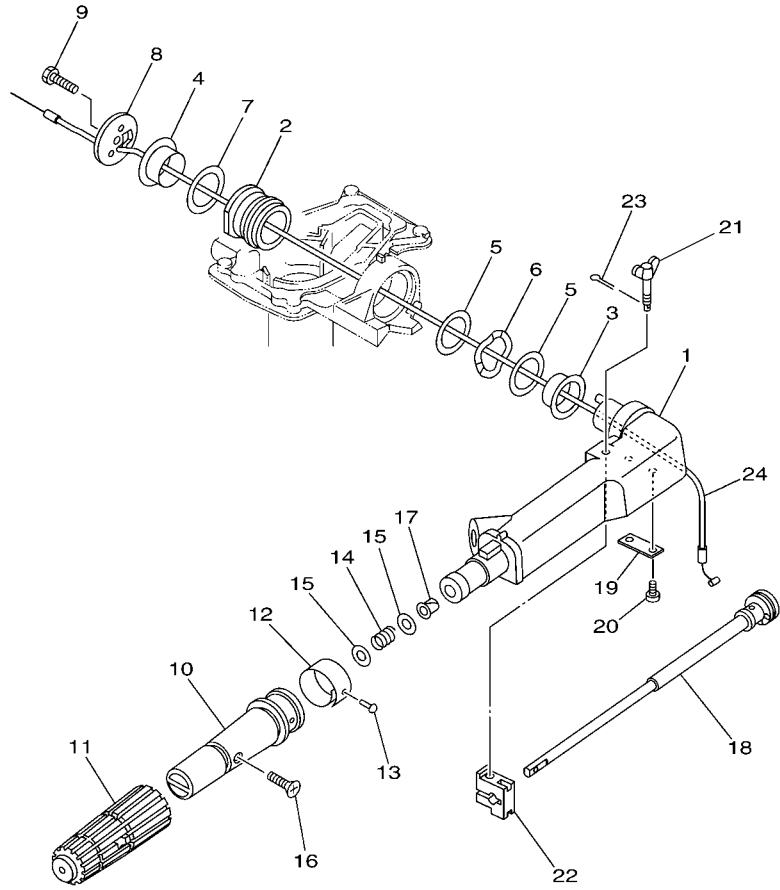



69M6100-G110

FIG. 11 BOTTOM COWLING

CAPOT INFERIEUR

| REF. NO. | PART NO. N° PIECES | DESCRIPTION DESCRIPTION | 69MB | | | | REMARKS REMARQUES |
|----------|--------------------|--|------|--|--|--|-------------------|
| 1 | 69M-G2711-00-4D | COWLING, BOTTOM 1 CUVETTE 1 | 1 | | | | |
| 2 | 69M-42628-00 | SEAL JOINT | 1 | | | | |
| 3 | 6L5-42774-00 | STAY, APRON 1 COUSSINET | 2 | | | | |
| 4 | 90157-05013 | SCREW, PAN HEAD VIS, TETE TRONCONIQUE | 2 | | | | |
| 5 | 69M-G2712-00 | COWLING, BOTTOM 2 CUVETTE 2 | 1 | | | | |
| 6 | 69M-42629-00 | SEAL JOINT | 1 | | | | |
| 7 | 69M-G2727-00 | GROMMET PASSE-FIL | 1 | | | | |
| 8 | 69M-G2724-00 | GROMMET PASSE-FIL | 1 | | | | |
| 9 | 69M-G2725-00 | GROMMET PASSE-FIL | 1 | | | | |
| 10 | 69M-E5316-00 | DAMPER 1 AMORTISSEUR 1 | 1 | | | | |
| 11 | 69M-42758-01 | COLLAR ENTRETOISE | 4 | | | | |
| 12 | 69M-G2768-00 | DAMPER AMORTISSEUR | 4 | | | | |
| 13 | 90119-06M17 | BOLT, WITH WASHER BOULON, AVEC RONDELLE | 4 | | | | |
| 14 | 6L5-42647-00 | HOLDER, CLAMP BAND SUPPORT, SANDOW DE SERRAGE | 2 | | | | |
| 15 | 6L5-42823-00 | PLATE, STOP PLAQUE | 2 | | | | |
| 16 | 90167-03M02 | SCREW, TAPPING VIS, TETE FRAISEE | 2 | | | | |
| 17 | 69M-G2731-00-4D | CARRYING HANDLE POIGNEE DE PORTAGE | 1 | | | | |
| 18 | 97095-06020 | BOLT BOULON | 2 | | | | |
| 19 | 92995-06600 | WASHER RONDELLE | 2 | | | | |
| 20 | 69M-G2735-00 | PROTECTOR PROTECTEUR | 1 | | | | |
| 21 | 90161-04003 | SCREW, TAPPING VIS, TETE FRAISEE | 4 | | | | |
| 22 | 69M-F4591-00 | EMBLEM, FUEL COCK ADHESIF | 1 | | | | |
| 23 | 6S7-42794-40 | LABEL, WARNING (GENERAL) ETIQUETTE, AVERTISSEMENT | 1 | | | | |
| 24 | 6S7-42794-50 | LABEL, WARNING (GENERAL) ETIQUETTE, AVERTISSEMENT | 1 | | | | |




 69M5100-F120

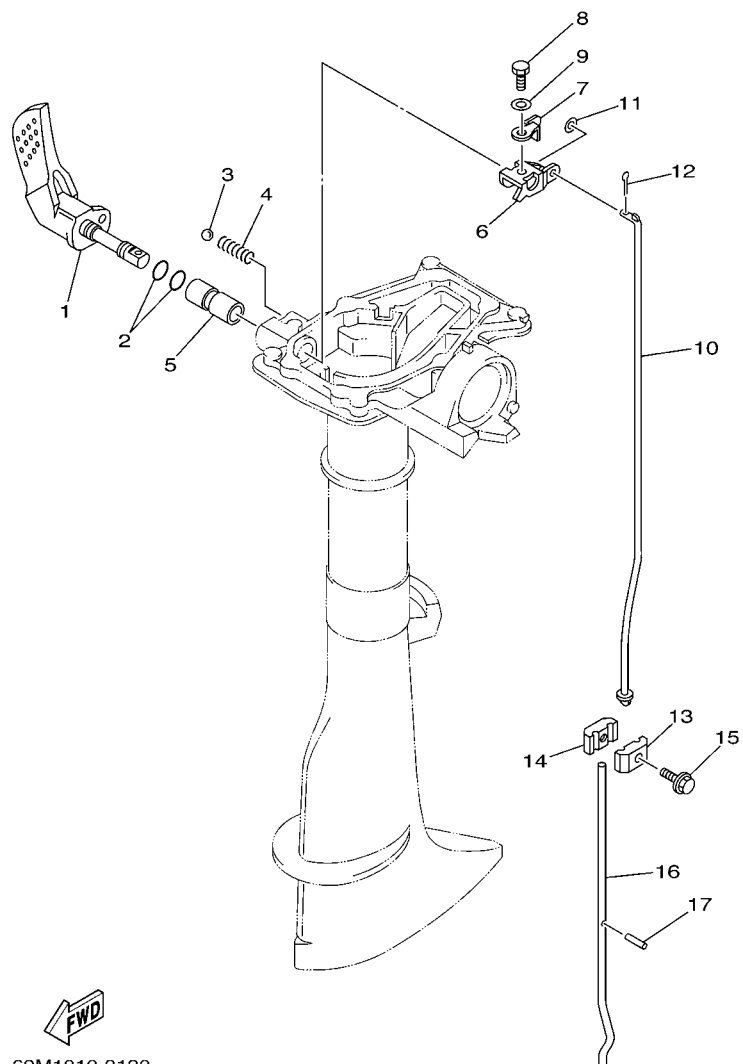
FIG. 12 STEERING

DIRECTION

| REF. NO. | PART NO. N° PIECES | DESCRIPTION DESCRIPTION | 69MB | | | | REMARKS REMARQUES |
|----------|--------------------|---|------|--|--|--|-------------------|
| 1 | 69M-G2111-00-4D | HANDLE, STEERING POIGNEE | 1 | | | | |
| 2 | 67D-42129-00 | BUSHING, RUBBER DOUILLE, CAOUTCHOUC | 1 | | | | |
| 3 | 68D-G2171-00 | BUSHING COUSSINET | 1 | | | | |
| 4 | 68D-G2172-00 | BUSHING 2 DOUILLE 2 | 1 | | | | |
| 5 | 68D-G2181-00 | WASHER RONDELLE | 2 | | | | |
| 6 | 69M-G2188-00 | WASHER, WAVE RONDELLE, ONDULEE | 1 | | | | |
| 7 | 68D-G2182-00 | WASHER 2 RONDELLE 2 | 1 | | | | |
| 8 | 68D-G2131-01 | COVER, HANDLE STEERING COUVERCLE | 1 | | | | |
| 9 | 97075-08025 | BOLT BOULON | 1 | | | | |
| 10 | 69M-G2119-10 | GRIP, STEERING HANDLE POIGNEE, BARRE FRANCHE | 1 | | | | |
| 11 | 6N0-G2177-00 | RUBBER, HANDLE CAOUTCHOUC, POIGNEE | 1 | | | | |
| 12 | 69M-G2137-00 | INDICATOR, THROTTLE INDICATEUR, ACCELERATION | 1 | | | | |
| 13 | 90269-02M09 | RIVET RIVET | 1 | | | | |
| 14 | 90501-23800 | SPRING, COMPRESSION RESSORT, COMPRESSION | 1 | | | | |
| 15 | 90201-10M02 | WASHER, PLATE RONDELLE, PLATE | 2 | | | | |
| 16 | 90152-05011 | SCREW, COUNTERSUNK VIS, TETE NOYEE | 1 | | | | |
| 17 | 90386-08032 | BUSH DOUILLE | 1 | | | | |
| 18 | 6G1-42138-01 | LEVER, THROTTLE LEVIER, ACCELERATEUR | 1 | | | | |
| 19 | 68D-G2159-00 | STAY SUPPORT | 1 | | | | |
| 20 | 97885-05012 | SCREW, PAN HEAD VIS, A ENCOCHE | 2 | | | | |
| 21 | 6G1-42125-01 | BOLT, FRICTION ADJUSTING BOULON | 1 | | | | |
| 22 | 6G1-42126-00 | FRICTION, STEERING HANDLE GRIP CUVETTE, POIGNEE DE DIRECTION | 1 | | | | |
| 23 | 91490-16010 | PIN. COTTER GOUPILLE | 1 | | | | |
| 24 | 69M-F6301-10 | THROTTLE CABLE ASSY CABLE D'ACCELERATEUR | 1 | | | | |

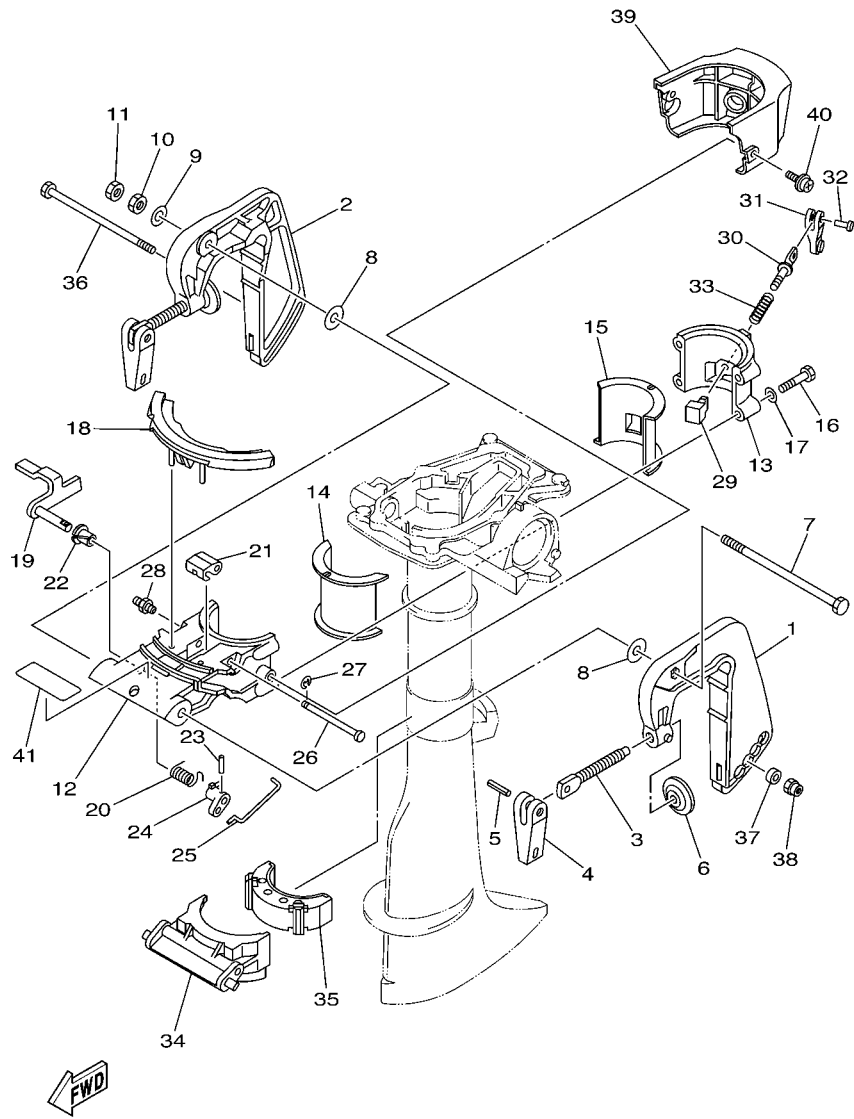
FIG. 13 CONTROL

COMMANDE



69M1010-3130

| REF. NO. | PART NO. N° PIECES | DESCRIPTION DESCRIPTION | 69MB | | | | REMARKS REMARQUES |
|----------|--------------------|---|------|--|--|--|----------------------|
| 1 | 69M-G4111-00 | HANDLE, GEAR SHIFT POIGNEE, LEVIER D'EMBRAYAGE | 1 | | | | |
| 2 | 93210-09350 | O-RING JOINT TORIQUE | 2 | | | | |
| 3 | 93505-16024 | BALL BILLE | 1 | | | | |
| 4 | 90501-12802 | SPRING, COMPRESSION RESSORT, COMPRESSION | 1 | | | | |
| 5 | 68D-G4122-01 | BUSHING, SHIFT ROD LEVER DOUILLE, LEVIER D'EMBRAYAGE | 1 | | | | |
| 6 | 69M-G4121-00 | LEVER, SHIFT ROD LEVIER, TIGE D'INVERSION | 1 | | | | |
| 7 | 69M-44126-00 | WASHER, SHIFT ROD LEVER RONDELLE, TIGE D'INVERSION LEV | 1 | | | | |
| 8 | 97095-05012 | BOLT BOULON | 1 | | | | |
| 9 | 92995-05600 | WASHER RONDELLE | 1 | | | | |
| 10 | 69M-44143-00 | ROD, SHIFT TIGE D'EMBRAYAGE | 1 | | | | |
| 11 | 92990-05600 | WASHER, PLATE RONDELLE, PLATE | 1 | | | | |
| 12 | 91490-16010 | PIN, COTTER GOUPILLE | 1 | | | | |
| 13 | 6N0-G4145-10 | CONNECTOR, SHIFT ROD CONNECTEUR, TIGE D'INVERSION | 1 | | | | |
| 14 | 6N0-G4146-10 | CONNECTOR, SHIFT ROD CONNECTEUR, TIGE D'INVERSION | 1 | | | | |
| 15 | 90119-06ME0 | BOLT, WITH WASHER BOULON, AVEC RONDELLE | 1 | | | | |
| 16 | 6L5-44144-00 | ROD, SHIFT TIGE D'EMBRAYAGE | 1 | | | | S(17.0") S(17.0") |
| | 6L5-44144-10 | ROD, SHIFT TIGE D'EMBRAYAGE | 1 | | | | L(22.0") L(22.0") |
| 17 | 91609-25014 | PIN, SPRING AXE DE RESSORT | 1 | | | | |

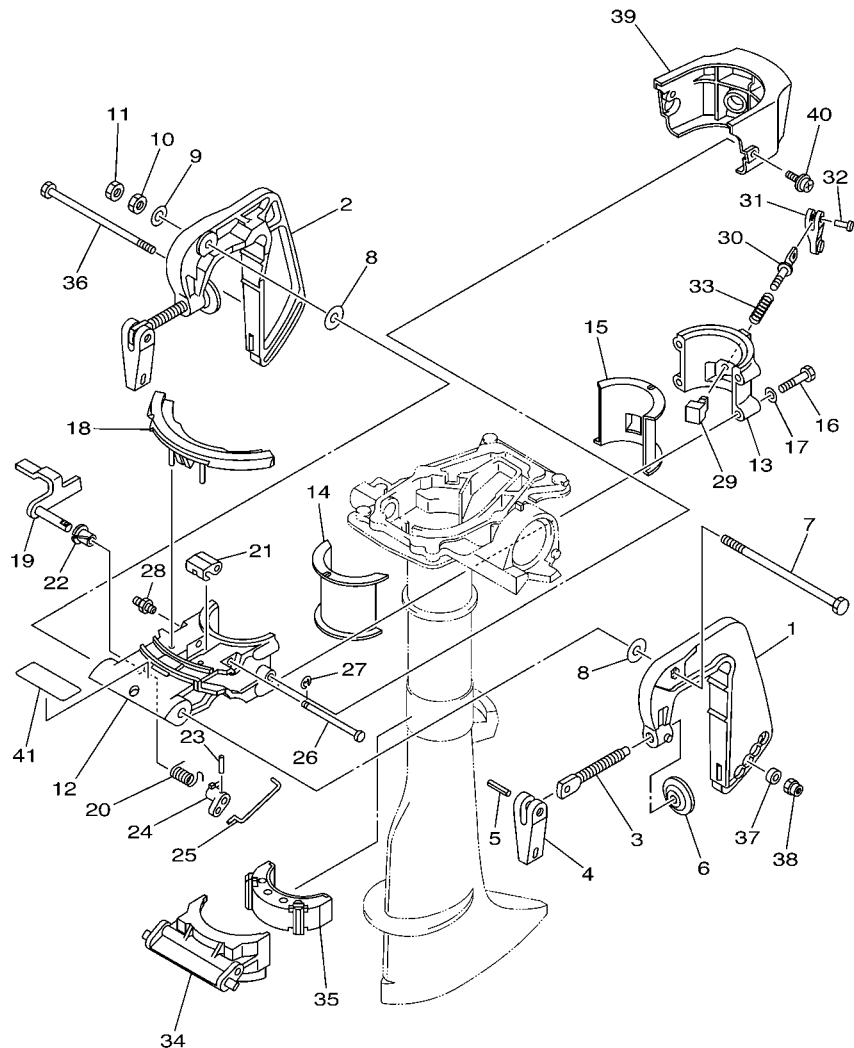


69M1010-3140

FIG. 14 BRACKET

SUPPORT

| REF. NO. | PART NO. N° PIECES | DESCRIPTION DESCRIPTION | 69MB | | | | REMARKS REMARQUES |
|----------|--------------------|--|------|--|--|--|-------------------|
| 1 | 69M-G3111-00-4D | BRACKET, CLAMP 1 PRESSE 1 | 1 | | | | |
| 2 | 69M-G3112-00-4D | BRACKET, CLAMP 2 PRESSE 2 | 1 | | | | |
| 3 | 6E0-43116-01 | SCREW, TRANSOM CLAMP VIS DE PRESSE | 2 | | | | |
| 4 | 69M-G3118-00 | HANDLE, TRANSOM CLAMP POIGNEE DE VIS DE PRESSE | 2 | | | | |
| 5 | 90243-04M01 | PIN GOUPILLE | 2 | | | | |
| 6 | 620-43114-00 | PAD, TRANSOM CLAMP RONDELLE D'APPUI | 2 | | | | |
| 7 | 90101-08M07 | BOLT BOULON | 1 | | | | |
| 8 | 90202-08022 | WASHER, PLATE RONDELLE, PLATE | 2 | | | | |
| 9 | 92990-08200 | WASHER, PLAIN RONDELLE, PLATE | 1 | | | | |
| 10 | 95380-08600 | NUT ECROU | 1 | | | | |
| 11 | 95380-08700 | NUT ECROU | 1 | | | | |
| 12 | 69M-G3311-01-4D | BRACKET, SWIVEL 1 SUPPORT, PIVOT 1 | 1 | | | | |
| 13 | 69M-G3312-00-4D | BRACKET, SWIVEL 2 SUPPORT, PIVOT 2 | 1 | | | | |
| 14 | 69M-G2537-00 | BUSHING, PIVOT SHAFT COUSSINET | 1 | | | | |
| 15 | 69M-G2538-00 | BUSHING, PIVOT SHAFT COUSSINET | 1 | | | | |
| 16 | 97075-06030 | BOLT BOULON | 4 | | | | |
| 17 | 92995-06600 | WASHER RONDELLE | 4 | | | | |
| 18 | 69M-43679-00 | STOPPER, HOOK BUTEE | 1 | | | | |
| 19 | 69M-43180-00 | TILT STOP LEVER ASSY LEVIER, VERROUILLAGE RELEVAGE | 1 | | | | |
| 20 | 69M-G3188-00 | SPRING RESSORT | 1 | | | | |
| 21 | 69M-G3186-00 | LEVER LEVIER | 1 | | | | |
| 22 | 90386-08032 | BUSH DOUILLE | 1 | | | | |
| 23 | 91690-20010 | PIN, SPRING AGRAFFE | 1 | | | | |
| 24 | 69M-G3185-00 | LEVER, TILT STOP 2 LEVIER VERROUILLAGE RELEVAGE 2 | 1 | | | | |
| 25 | 69M-G3164-00 | ROD, TILT LOCK TIGE | 1 | | | | |
| 26 | 69M-G3166-00 | PIN GOUPILLE | 1 | | | | |
| 27 | 99080-04600 | CIRCLIP CIRCLIP | 1 | | | | |

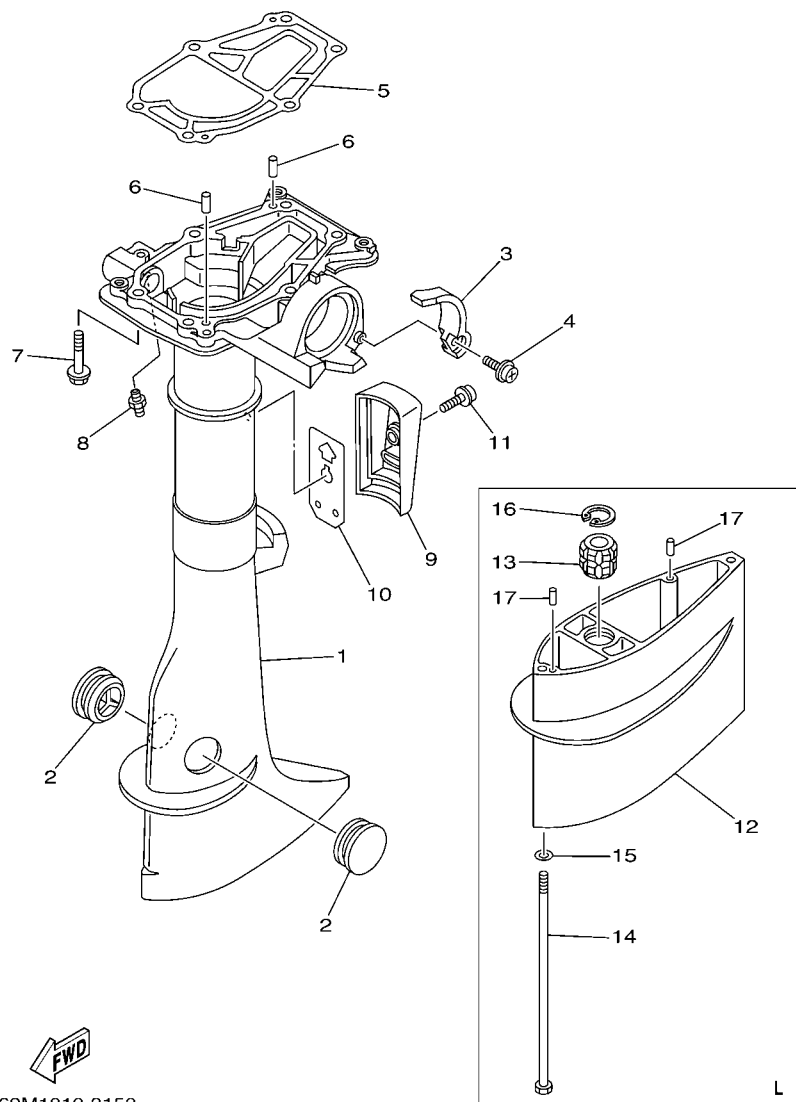


69M1010-3140

FIG. 14 BRACKET

SUPPORT

| REF. NO. | PART NO. N° PIECES | DESCRIPTION DESCRIPTION | 69MB | | | | REMARKS REMARQUES |
|----------|--------------------|--|------|--|--|--|-------------------|
| 28 | 93700-06M03 | NIPPLE, GREASE PION | 1 | | | | |
| 29 | 69M-42528-00 | PLATE, FRICTION PLAQUE, FRICTION | 1 | | | | |
| 30 | 69M-42529-00 | SCREW, FRICTION PIECE VIS, PIECE DE FRICTION | 1 | | | | |
| 31 | 68D-G2561-01 | KNOB, STEERING LOCK BOUTON | 1 | | | | |
| 32 | 90266-04M05 | RIVET RIVET | 1 | | | | |
| 33 | 90501-12803 | SPRING, COMPRESSION RESSORT, COMPRESSION | 1 | | | | |
| 34 | 69M-G3351-00 | RECEIVER, THRUST SILENT-BLOC, BUTEE | 1 | | | | |
| 35 | 69M-44557-00 | MOUNT DAMPER, LOWER FRONT SILENT-BLOC, INFERIEUR AVANT | 1 | | | | |
| 36 | 90101-06030 | BOLT BOULON | 1 | | | | |
| 37 | 90201-06040 | WASHER, PLATE RONDELLE, PLATE | 1 | | | | |
| 38 | 95780-06300 | NUT, FLANGE ECROU | 1 | | | | |
| 39 | 69M-G3318-00 | COVER CAPUCHON | 1 | | | | |
| 40 | 90159-06M11 | SCREW, WITH WASHER VIS, AVEC RONDELLE | 2 | | | | |
| 41 | 69M-G3691-00 | INDICATOR, TILT ETIQUETTE, RELEVAGE | 1 | | | | |
| | | | | | | | |
| | | | | | | | |
| | | | | | | | |
| | | | | | | | |
| | | | | | | | |



69M1010-3150

FIG. 15 UPPER CASING

FOURREAU

| REF. NO. | PART NO. N° PIECES | DESCRIPTION DESCRIPTION | 69MB | | | REMARKS REMARQUES |
|----------|--------------------|--|------|--|--|-------------------|
| 1 | 69M-G5111-00-4D | CASING, UPPER FOURREAU | 1 | | | |
| 2 | 647-45151-01 | COVER, UPPER CASING CAPUCHON, FOURREAU | 2 | | | |
| 3 | 69M-G5152-00 | COVER, UPPER CASING 2 CAPUCHON FOURREAU | 1 | | | |
| 4 | 90159-05M12 | SCREW, WITH WASHER VIS, AVEC RONDELLE | 1 | | | |
| 5 | 69M-45113-A0 | GASKET, UPPER CASING JOINT, TUBE D'ARBRE | 1 | | | |
| 6 | 93604-12M07 | PIN, DOWEL CLAVETTE | 2 | | | |
| 7 | 97575-06535 | BOLT, WITH WASHER VIS HEXAGONAL AVC RONDELLE | 6 | | | |
| 8 | 93700-06M03 | NIPPLE, GREASE PION | 1 | | | |
| 9 | 69M-G5151-00 | COVER, UPPER CASING CAPUCHON, FOURREAU | 1 | | | |
| 10 | 69M-G5115-00 | GASKET, UPPER CASING JOINT, TUBE D'ARBRE | 1 | | | |
| 11 | 90159-06M11 | SCREW, WITH WASHER VIS, AVEC RONDELLE | 1 | | | |
| 12 | 69M-G5211-00-4D | EXTENSION EXTENSION | 1 | | | L(22.0") |
| 13 | 6L5-45318-00 | BUSHING, DRIVE SHAFT DOUILLE, ARBRE MOTEUR | 1 | | | L(22.0") |
| 14 | 90101-06M18 | BOLT BOULON | 3 | | | L(22.0") |
| 15 | 92990-06600 | WASHER, PLATE RONDELLE, PLATE | 3 | | | L(22.0") |
| 16 | 93420-22M03 | CIRCLIP CIRCLIP, TYPE S | 1 | | | L(22.0") |
| 17 | 93604-12M07 | PIN, DOWEL CLAVETTE | 2 | | | L(22.0") |

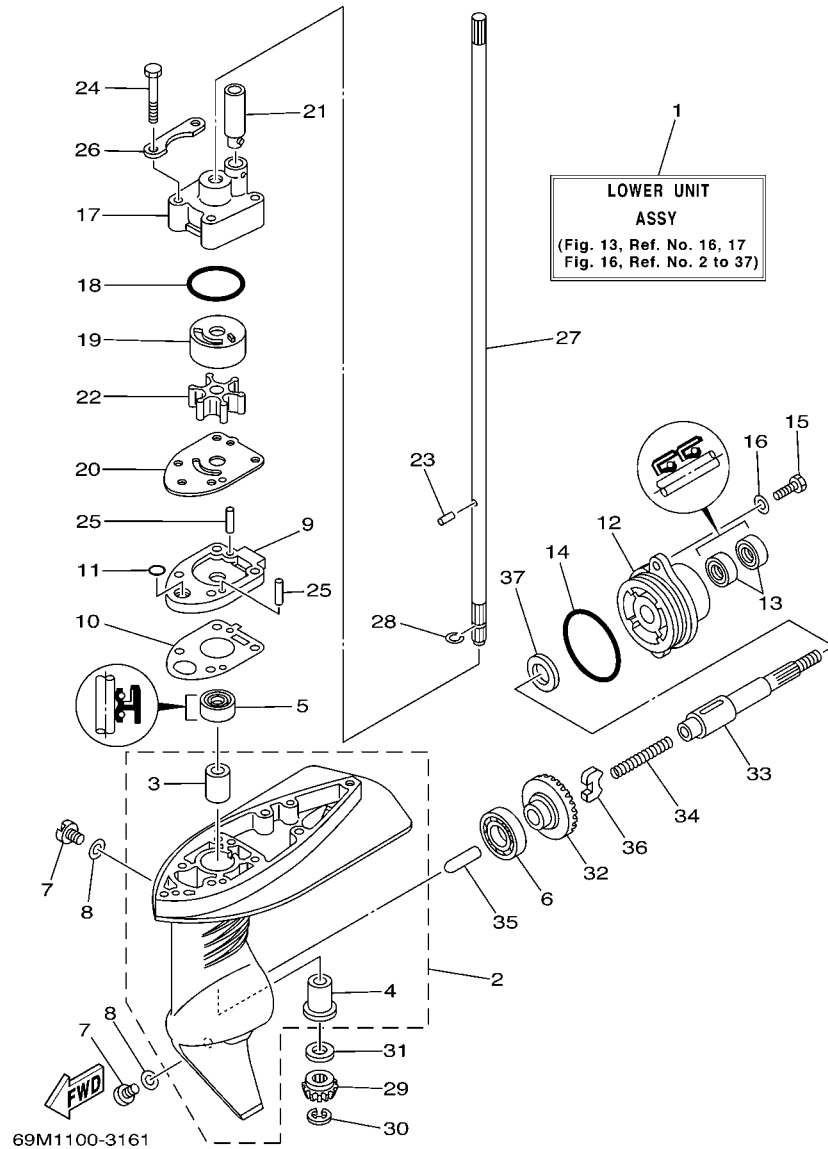


FIG. 16 LOWER CASING & DRIVE 1

BOITIER D'HELICE TRANSMISSION1

| REF. NO. | PART NO. N° PIECES | DESCRIPTION DESCRIPTION | 69MB | | | REMARKS REMARQUES |
|----------|--------------------|--|------|--|--|----------------------|
| 1 | 69M-G5300-02-4D | LOWER UNIT ASSY UNITE INFERIEURE (ENS.) | 1 | | | S(17.0") S(17.0") |
| | 69M-G5300-12-4D | LOWER UNIT ASSY UNITE INFERIEURE (ENS.) | 1 | | | L(22.0") L(22.0") |
| 2 | 69M-G5311-00-4D | CASING, LOWER BOITIER D'HELICE | 1 | | | |
| 3 | 6L5-45316-09 | .BUSHING, DRIVE SHAFT .DOUILLE, ARBRE MOTEUR | 1 | | | |
| 4 | 6L5-45317-09 | .BUSHING, DRIVE SHAFT .DOUILLE, ARBRE MOTEUR | 1 | | | |
| 5 | 93103-09M41 | OIL SEAL JOINT SPY | 1 | | | |
| 6 | 93316-003Y0 | BEARING ROULEMENT | 1 | | | |
| 7 | 90340-08002 | PLUG, STRAIGHT SCREW PLOT, FILETE DROIT | 2 | | | |
| 8 | 90430-08020 | GASKET JOINT | 2 | | | |
| 9 | 69M-G5321-00-94 | PLATE PLAQUETTE | 1 | | | |
| 10 | 69M-G5315-A0 | PACKING, LOWER CASING JOINT, BOITIER D'HELICE | 1 | | | |
| 11 | 93210-05001 | O-RING JOINT TORIQUE | 1 | | | |
| 12 | 69M-G5361-00-4D | CAP, LOWER CASING COUVERCLE, BOITIER D'HELICE | 1 | | | |
| 13 | 93101-13M12 | OIL SEAL JOINT SPY | 2 | | | |
| 14 | 93210-48214 | O-RING JOINT TORIQUE | 1 | | | |
| 15 | 97095-06016 | BOLT BOULON | 2 | | | |
| 16 | 92995-06600 | WASHER RONDELLE | 2 | | | |
| 17 | 69M-G4311-00 | HOUSING, WATER PUMP CORPS, POMPE A EAU | 1 | | | |
| 18 | 93210-33M85 | O-RING JOINT TORIQUE | 1 | | | |
| 19 | 6L5-44322-00 | INSERT, CARTRIDGE CUVETTE | 1 | | | |
| 20 | 69M-G4323-00 | OUTER PLATE, CARTRIDGE PLAQUE EXTERIEURE | 1 | | | |
| 21 | 6E0-44366-00 | DAMPER, WATER SEAL 2 JOINT, TUBE D'EAU 2 | 1 | | | |
| 22 | 6L5-44352-00 | IMPELLER TURBINE | 1 | | | |
| 23 | 93604-07M13 | PIN, DOWEL CLAVETTE | 1 | | | |
| 24 | 97095-06040 | BOLT BOULON | 4 | | | |
| 25 | 93604-18080 | PIN, DOWEL CLAVETTE | 2 | | | |
| 26 | 69M-G4328-00 | PLATE PLAQUETTE | 2 | | | |

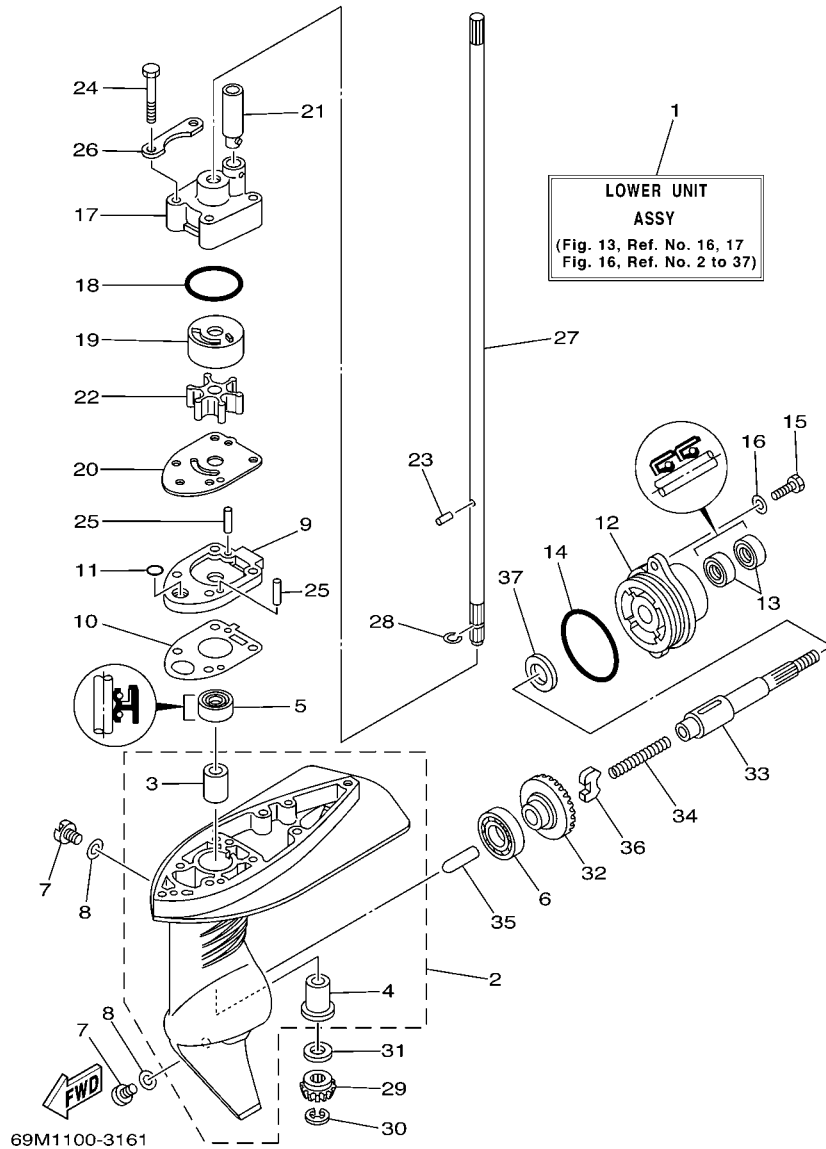


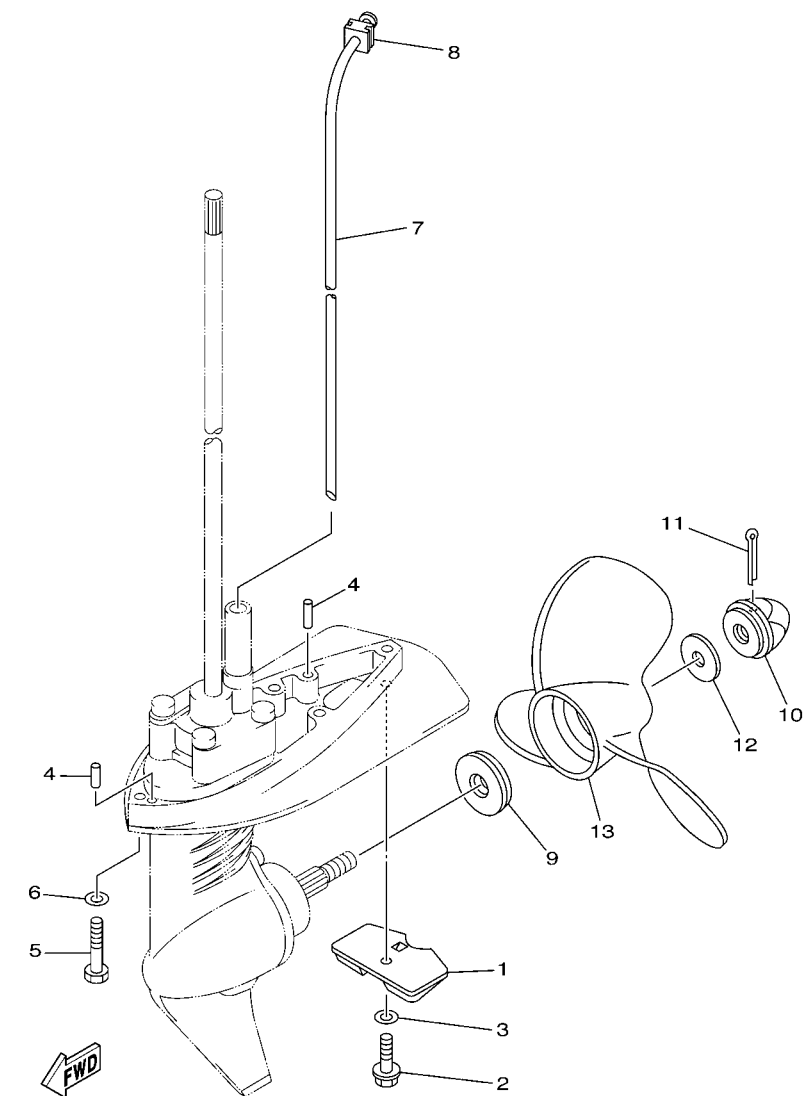
FIG. 16 LOWER CASING & DRIVE 1

BOITIER D'HELICE TRANSMISSION1

| REF. NO. | PART NO. N° PIECES | DESCRIPTION DESCRIPTION | 69MB | | | REMARKS REMARQUES |
|----------|--------------------|---|------|--|--|----------------------|
| 27 | 69M-G5511-00 | SHAFT, DRIVE ARBRE, MOTEUR | 1 | | | S(17.0") S(17.0") |
| | 69M-G5511-10 | SHAFT, DRIVE ARBRE, MOTEUR | 1 | | | L(22.0") L(22.0") |
| 28 | 93440-08819 | CIRCLIP CIRCLIP | 1 | | | |
| 29 | 69M-G5551-00 | PINION (13T) PIGNON D'ATTAQUE (13D) | 1 | | | |
| 30 | 99001-06600 | CIRCLIP CIRCLIP | 1 | | | |
| 31 | 6L5-45533-00-20 | SHIM (T:2.0MM) CALE (T:2.0MM) | 1 | | | UR UR |
| | 6L5-45533-00-21 | SHIM (T:2.1MM) CALE (T:2.1MM) | 1 | | | UR UR |
| | 6L5-45533-00-22 | SHIM (T:2.2MM) CALE (T:2.2MM) | 1 | | | UR UR |
| | 6L5-45533-00-23 | SHIM (T:2.3MM) CALE (T:2.3MM) | 1 | | | UR UR |
| 32 | 69M-G5560-00 | GEAR 1 (27T) PIGNON 1 (27T) | 1 | | | |
| 33 | 69M-G5611-00 | SHAFT, PROPELLER ARBRE, HELICE | 1 | | | |
| 34 | 90501-10064 | SPRING, COMPRESSION RESSORT, COMPRESSION | 1 | | | |
| 35 | 69M-G5635-00 | PLUNGER, SHIFT POUSSOIR D'EMBAYAGE | 1 | | | |
| 36 | 6L5-45631-00 | CLUTCH, DOG CRABOT | 1 | | | |
| 37 | 90201-13198 | WASHER, PLATE RONDELLE, PLATE | 1 | | | |

FIG. 17 LOWER CASING & DRIVE 2

BOITIER D'HELICE TRANSMISSION2

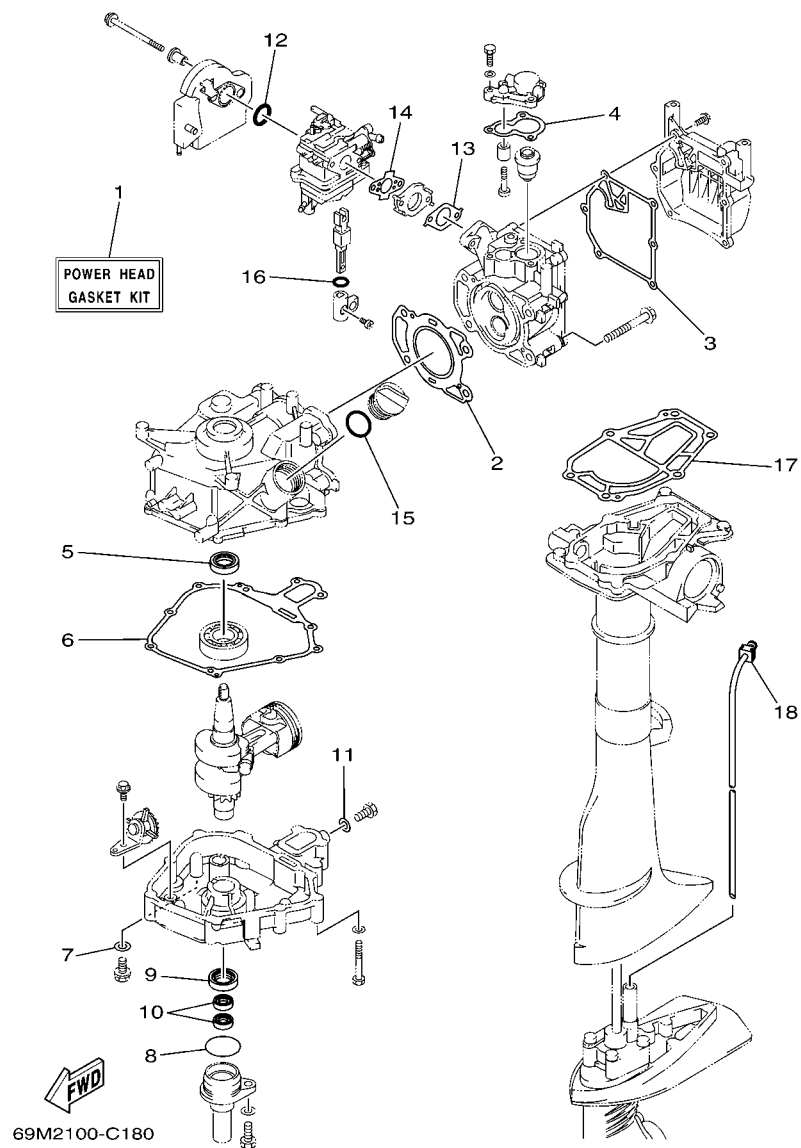


69M1010-3170

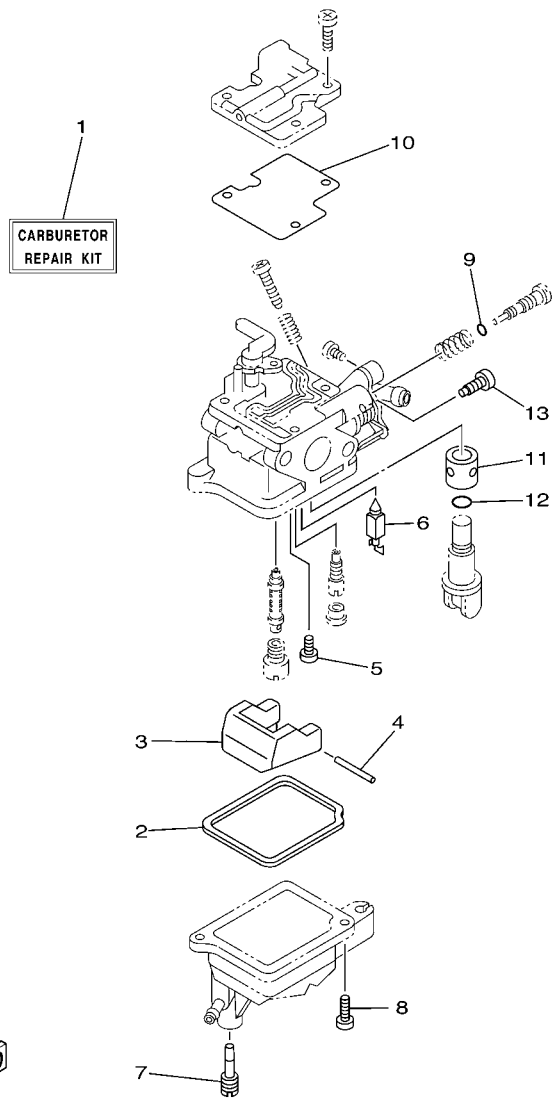
| REF. NO. | PART NO. N° PIECES | DESCRIPTION DESCRIPTION | 69MB | | | | REMARKS REMARQUES |
|----------|--------------------|---|------|--|--|--|----------------------|
| 1 | 68D-G5251-00 | ANODE ANODE | 1 | | | | |
| 2 | 95895-06020 | BOLT, FLANGE BOULON | 1 | | | | |
| 3 | 92990-06300 | WASHER, INTERNAL TOOTH RONDELLE, DENTURE INTERNE | 1 | | | | |
| 4 | 93604-12M07 | PIN, DOWEL CLAVETTE | 2 | | | | |
| 5 | 97095-06030 | BOLT BOULON | 3 | | | | S(17.0") S(17.0") |
| 6 | 92995-06600 | WASHER RONDELLE | 3 | | | | S(17.0") S(17.0") |
| 7 | 69M-44361-00 | TUBE, WATER 1 TUBE D'EAU 1 | 1 | | | | S(17.0") S(17.0") |
| | 69M-44361-10 | TUBE, WATER 1 TUBE D'EAU 1 | 1 | | | | L(22.0") L(22.0") |
| 8 | 68D-G4365-00 | DAMPER, WATER SEAL 1 JOINT, TUBE D'EAU 1 | 1 | | | | |
| 9 | 68D-G5987-00 | SPACER 1 ENTRETOISE 1 | 1 | | | | |
| 10 | 6L5-45616-00 | NUT, PROPELLER CONE, HELICE | 1 | | | | |
| 11 | 91490-25030 | PIN, COTTER GOUPILLE | 1 | | | | |
| 12 | 90201-08M54 | WASHER, PLATE RONDELLE, PLATE | 1 | | | | |
| 13 | 6L5-45943-00 | PROPELLER (3X7-1/4"X6"-BS) HELICE (3X7-1/4"X6"-BS) | 1 | | | | UR UR |
| | 6L5-45945-00 | PROPELLER (3X7-1/4"X7-1/4"-BS) HELICE (3X7-1/4"X7-1/4"-BS) | 1 | | | | UR UR |
| | 6L5-45947-00 | PROPELLER (3X7-1/4"X8-1/4"-BS) HELICE (3X7-1/4"X8-1/4"-BS) | 1 | | | | UR UR |
| | 6L5-45949-00 | PROPELLER (3X7-1/4"X5"-BS) HELICE (3X7-1/4"X5"-BS) | 1 | | | | UR UR |
| | 6L5-45952-00 | PROPELLER (3X7-1/4"X5-1/2"-BS) HELICE (3X7-1/4"X5-1/2"-BS) | 1 | | | | UR UR |

FIG. 18 REPAIR KIT 1

KITS DE REPARATION 1



| REF. NO. | PART NO. N° PIECES | DESCRIPTION DESCRIPTION | 69MB | | | REMARKS REMARQUES |
|----------|--------------------|---|------|--|--|-------------------|
| 1 | 69M-WE001-00 | POWER HEAD GASKET KIT POCHETTE DE JINTS TETE MOTRICE | 1 | | | |
| 2 | 69M-11181-00 | .GASKET, CYLINDER HEAD 1 .JOINT, DE CULASSE 1 | 1 | | | |
| 3 | 69M-11193-A0 | .GASKET, HEAD COVER 1 .JOINT, COUVERCLE DE CULASSE 1 | 1 | | | |
| 4 | 68D-E2414-A0 | .GASKET, COVER .JOINT, COUVERCLE | 1 | | | |
| 5 | 93102-20108 | .OIL SEAL .JOINT SPY | 1 | | | |
| 6 | 69M-11351-A0 | .GASKET, CYLINDER .JOINT, D'EMBASE | 1 | | | |
| 7 | 90201-08818 | .WASHER, PLATE .RONDELLE, PLATE | 1 | | | |
| 8 | 93210-35537 | .O-RING .JOINT TORIQUE | 1 | | | |
| 9 | 93102-20108 | .OIL SEAL .JOINT SPY | 1 | | | |
| 10 | 93102-09004 | .OIL SEAL .JOINT SPY | 2 | | | |
| 11 | 90430-08800 | .GASKET .JOINT | 1 | | | |
| 12 | 93210-20M65 | .O-RING .JOINT TORIQUE | 1 | | | |
| 13 | 69M-E3645-A0 | .GASKET, MANIFOLD 1 .JOINT, TUBULURE 1 | 1 | | | |
| 14 | 69M-E3646-A0 | .GASKET, MANIFOLD 2 .JOINT, TUBULURE 2 | 1 | | | |
| 15 | 93210-24M79 | .O-RING .JOINT TORIQUE | 1 | | | |
| 16 | 93210-13M43 | .O-RING .JOINT TORIQUE | 1 | | | |
| 17 | 69M-45113-A0 | .GASKET, UPPER CASING .JOINT, TUBE D'ARBRE | 1 | | | |
| 18 | 68D-G4365-00 | .DAMPER, WATER SEAL 1 .JOINT, TUBE D'EAU 1 | 1 | | | |
| | | | | | | |
| | | | | | | |
| | | | | | | |
| | | | | | | |



69M1100-3190



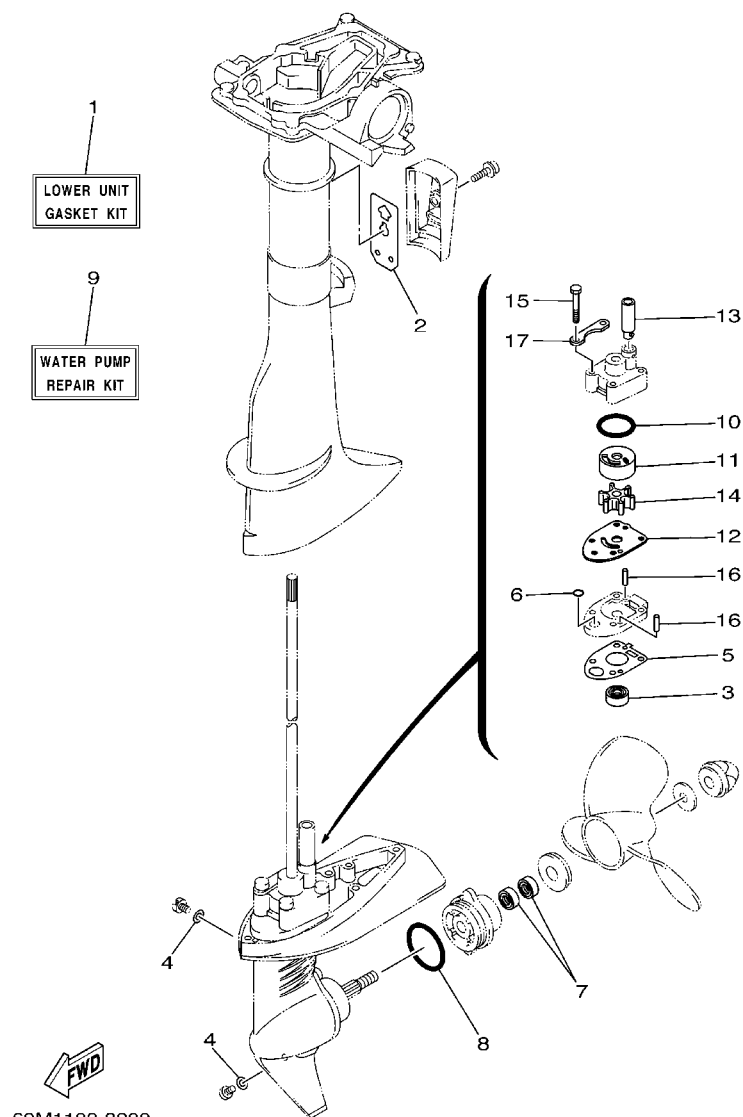
FIG. 19 REPAIR KIT 2

KITS DE REPARATION 2

| REF. NO. | PART NO. N° PIECES | DESCRIPTION DESCRIPTION | 69MB | | | | REMARKS REMARQUES |
|----------|--------------------|--|------|--|--|--|-------------------|
| 1 | 69M-W0093-00 | CARBURETOR REPAIR KIT KIT DE REPARATION CARBURATEUR | 1 | | | | |
| 2 | 69M-14984-00 | .GASKET, FLOAT CHAMBER .JOINT, CUVE DE FLOTTEUR | 1 | | | | |
| 3 | 69M-14385-00 | .FLOAT .FLOTTEUR | 1 | | | | |
| 4 | 6A1-14386-00 | .PIN, FLOAT .AXE, FLOTTEUR | 1 | | | | |
| 5 | 98580-03005 | .SCREW, PAN HEAD .VIS | 1 | | | | |
| 6 | 62Y-14392-00 | .VALVE, NEEDLE .POINTEAU | 1 | | | | |
| 7 | 69M-14991-00 | .SCREW .VIS | 1 | | | | |
| 8 | 98580-04010 | .SCREW, PAN HEAD .VIS | 2 | | | | |
| 9 | 2T4-14397-00 | .O-RING .JOINT TORIQUE | 1 | | | | |
| 10 | 69M-14536-00 | .GASKET .JOINT | 1 | | | | |
| 11 | 69M-24523-00 | .VALVE .SOUPAPE | 1 | | | | |
| 12 | 69M-24533-00 | .O-RING .JOINT TORIQUE | 1 | | | | |
| 13 | 69M-24535-00 | .SCREW, LEVER FITTING .VIS, FIXATION DE LEVIER | 1 | | | | |
| | | | | | | | |
| | | | | | | | |
| | | | | | | | |
| | | | | | | | |

FIG. 20 REPAIR KIT 3

KITS DE REPARATION 3



| REF. NO. | PART NO. N° PIECES | DESCRIPTION DESCRIPTION | 69MB | | | | REMARKS REMARQUES |
|----------|--------------------|--|------|--|--|--|-------------------|
| 1 | 69M-WG001-20 | LOWER UNIT GASKET KIT POCHETTE DE JOINTS EMBASE | 1 | | | | |
| 2 | 69M-G5115-00 | .GASKET, UPPER CASING .JOINT, TUBE D'ARBRE | 1 | | | | |
| 3 | 93103-09M41 | .OIL SEAL .JOINT SPY | 1 | | | | |
| 4 | 90430-08020 | .GASKET .JOINT | 2 | | | | |
| 5 | 69M-G5315-A0 | .PACKING, LOWER CASING .JOINT, BOITIER D'HELICE | 1 | | | | |
| 6 | 93210-05001 | .O-RING .JOINT TORIQUE | 1 | | | | |
| 7 | 93101-13M12 | .OIL SEAL .JOINT SPY | 2 | | | | |
| 8 | 93210-48214 | .O-RING .JOINT TORIQUE | 1 | | | | |
| 9 | 69M-WG078-00 | WATER PUMP REPAIR KIT KIT DE REPARATION DE LA POMPE | 1 | | | | |
| 10 | 93210-33M85 | .O-RING .JOINT TORIQUE | 1 | | | | |
| 11 | 6L5-44322-00 | .INSERT, CARTRIDGE .CUVETTE | 1 | | | | |
| 12 | 69M-G4323-00 | .OUTER PLATE, CARTRIDGE .PLAQUE EXTERIEURE | 1 | | | | |
| 13 | 6E0-44366-00 | .DAMPER, WATER SEAL 2 .JOINT, TUBE D'EAU 2 | 1 | | | | |
| 14 | 6L5-44352-00 | .IMPELLER .TURBINE | 1 | | | | |
| 15 | 97095-06040 | .BOLT .BOULON | 4 | | | | |
| 16 | 93604-18080 | .PIN, DOWEL .CLAVETTE | 2 | | | | |
| 17 | 69M-G4328-00 | .PLATE .PLAQUETTE | 2 | | | | |
| | | | | | | | |
| | | | | | | | |
| | | | | | | | |
| | | | | | | | |

NUMERICAL INDEX
INDEX NUMERIQUE

| PART NO. N° PIECES | REF. NO. | PART NO. N° PIECES | REF. NO. | PART NO. N° PIECES | REF. NO. | PART NO. N° PIECES | REF. NO. | PART NO. N° PIECES | REF. NO. | PART NO. N° PIECES | REF. NO. |
|-----------------------|-------------|-----------------------|-------------|-----------------------|-------------|-----------------------|-------------|-----------------------|-------------|-----------------------|-------------|
| 67D-11133-10 | 2 - 3 | 69M-14984-00 | 7 - 8 | 69M-42678-30 | 1 - 6 | 689-8257Y-00 | 10 - 13 | 6BV-F8199-72-H0 | 8 - 28 | 68D-G4122-01 | 13 - 5 |
| 69M-11181-00 | 2 - 7 | | 19 - 2 | 6S7-42698-40 | 1 - 10 | 69M-85640-00 | 10 - 2 | 6BV-F8199-72-S0 | 8 - 28 | 6N0-G4145-10 | 13 - 13 |
| | 18 - 2 | 69M-14991-00 | 7 - 13 | 6S7-42698-50 | 1 - 11 | 69M-85650-00 | 10 - 1 | 6BV-F8199-82-K0 | 8 - 29 | 6N0-G4146-10 | 13 - 14 |
| 69M-11193-A0 | 2 - 9 | | 19 - 7 | 69M-42758-01 | 11 - 11 | 69M-E1111-01-1S | 2 - 2 | 6BV-F8199-82-L0 | 8 - 29 | 69M-G4311-00 | 16 - 17 |
| | 18 - 3 | 69M-15361-00 | 4 - 5 | 6L5-42774-00 | 11 - 3 | 69M-E1191-00-1S | 2 - 8 | 6BV-F8199-82-M0 | 8 - 29 | 69M-G4323-00 | 16 - 20 |
| 69M-11351-A0 | 4 - 7 | 67D-15705-00 | 9 - 5 | 6S7-42794-40 | 11 - 23 | 69M-E1311-00-1S | 4 - 1 | 6BV-F8199-82-N0 | 8 - 29 | | 20 - 12 |
| | 18 - 6 | 69M-15710-00 | 9 - 1 | 6S7-42794-50 | 11 - 24 | 68D-E1325-00 | 2 - 15 | 6BV-F8199-82-P0 | 8 - 29 | 69M-G4328-00 | 16 - 26 |
| 676-11372-00 | 2 - 4 | 67D-15713-00 | 9 - 4 | 6L5-42823-00 | 11 - 15 | 69M-E1603-01 | 3 - 6 | 6BV-F8199-82-R0 | 8 - 29 | | 20 - 17 |
| 69M-11400-00 | 3 - 1 | 69M-15714-00 | 9 - 2 | 620-43114-00 | 14 - 6 | 69M-E1604-01 | 3 - 6 | 69M-G2111-00-4D | 12 - 1 | 68D-G4365-00 | 17 - 8 |
| 69M-11650-00 | 3 - 3 | 69M-15723-00 | 10 - 6 | 6E0-43116-01 | 14 - 3 | 69M-E1605-01 | 3 - 6 | 69M-G2119-10 | 12 - 10 | | 18 - 18 |
| 7FK-11654-00 | 3 - 4 | 69M-15735-00 | 9 - 6 | 69M-43180-00 | 14 - 19 | 69M-E1631-01-96 | 3 - 5 | 68D-G2131-01 | 12 - 8 | 69M-G5111-00-4D | 15 - 1 |
| 6AU-12111-00 | 5 - 2 | 69M-15739-00 | 9 - 8 | 69M-43679-00 | 14 - 18 | 69M-E1633-00 | 3 - 7 | 69M-G2137-00 | 12 - 12 | 69M-G5115-00 | 15 - 10 |
| 7NJ-12117-00 | 5 - 6 | 69M-15741-00 | 9 - 3 | 69M-44126-00 | 13 - 7 | 69M-E1635-01 | 3 - 5 | 68D-G2159-00 | 12 - 19 | | 20 - 2 |
| 7NJ-12118-00 | 5 - 7 | 69M-15751-00 | 9 - 9 | 69M-44143-00 | 13 - 10 | 69M-E1636-01 | 3 - 5 | 68D-G2171-00 | 12 - 3 | 69M-G5151-00 | 15 - 9 |
| 51Y-12119-00 | 5 - 4 | 6G1-15755-00 | 9 - 10 | 6L5-44144-00 | 13 - 16 | 68D-E2113-00 | 5 - 5 | 68D-G2172-00 | 12 - 4 | 69M-G5152-00 | 15 - 3 |
| 6AU-12121-00 | 5 - 3 | 69M-15762-00 | 9 - 14 | 6L5-44144-10 | 13 - 16 | 69M-E2155-00 | 5 - 12 | 6N0-G2177-00 | 12 - 11 | 69M-G5211-00-4D | 15 - 12 |
| 67D-12151-00 | 5 - 8 | 6G1-15779-00 | 9 - 11 | 6L5-44322-00 | 16 - 19 | 69M-E2413-00-1S | 2 - 13 | 68D-G2181-00 | 12 - 5 | 68D-G5251-00 | 17 - 1 |
| JA9-12153-00 | 5 - 14 | 69M-15793-00 | 9 - 7 | | 20 - 11 | 68D-E2414-A0 | 2 - 17 | 68D-G2182-00 | 12 - 7 | 69M-G5300-02-4D | 16 - 1 |
| 69M-12154-00 | 5 - 13 | 67D-21757-00 | 8 - 9 | 6L5-44352-00 | 16 - 22 | | 18 - 4 | 69M-G2188-00 | 12 - 6 | 69M-G5300-12-4D | 16 - 1 |
| 67D-12157-00 | 5 - 11 | 69M-24182-00 | 9 - 15 | | 20 - 14 | 69M-E2483-00 | 6 - 7 | 69M-G2537-00 | 14 - 14 | 69M-G5311-00-4D | 16 - 2 |
| 7FK-12158-00 | 5 - 10 | 6L5-24251-00 | 8 - 14 | 69M-44361-00 | 17 - 7 | 69M-E3102-00 | 4 - 22 | 69M-G2538-00 | 14 - 15 | 69M-G5315-A0 | 16 - 10 |
| 7FK-12165-00 | 5 - 9 | 650-24378-00 | 2 - 14 | 69M-44361-10 | 17 - 7 | 60R-E3434-00 | 1 - 8 | 68D-G2561-01 | 14 - 31 | | 20 - 5 |
| 69M-12170-01 | 5 - 1 | 69M-24523-00 | 7 - 23 | 6E0-44366-00 | 16 - 21 | 69M-E3437-60 | 8 - 24 | 69M-G2610-30 | 1 - 1 | 69M-G5321-00-94 | 16 - 9 |
| 69M-12411-01 | 2 - 11 | | 19 - 11 | | 20 - 13 | 69M-E3645-A0 | 6 - 9 | 69M-G2613-00 | 1 - 2 | 69M-G5361-00-4D | 16 - 12 |
| 688-12412-00 | 2 - 12 | 69M-24524-00 | 7 - 22 | 6G8-44532-00 | 4 - 27 | | 18 - 13 | 69M-G2711-00-4D | 11 - 1 | 69M-G5511-00 | 16 - 27 |
| 62Y-14212-00 | 7 - 21 | 69M-24533-00 | 7 - 24 | 69M-44557-00 | 14 - 35 | 69M-E3646-A0 | 6 - 10 | 69M-G2712-00 | 11 - 5 | 69M-G5511-10 | 16 - 27 |
| 69M-14301-21 | 7 - 1 | | 19 - 12 | 69M-45113-A0 | 15 - 5 | | 18 - 14 | 69M-G2724-00 | 11 - 8 | 69M-G5551-00 | 16 - 29 |
| 69W-14321-00 | 7 - 20 | 69M-24535-00 | 7 - 25 | | 18 - 17 | 69M-E3647-00 | 6 - 11 | 69M-G2725-00 | 11 - 9 | 69M-G5560-00 | 16 - 32 |
| 69M-14323-20 | 7 - 15 | | 19 - 13 | 647-45151-01 | 15 - 2 | 69M-E4148-00 | 6 - 1 | 69M-G2727-00 | 11 - 7 | 69M-G5611-00 | 16 - 33 |
| 62Y-14334-00 | 7 - 17 | 69M-24554-00 | 8 - 19 | 6L5-45316-09 | 16 - 3 | 69M-E4427-60 | 1 - 9 | 69M-G2731-00-4D | 11 - 17 | 69M-G5635-00 | 16 - 35 |
| 69M-14341-00 | 7 - 4 | 69M-24575-00 | 8 - 21 | 6L5-45317-09 | 16 - 4 | 69M-E5111-00-1S | 4 - 6 | 69M-G2735-00 | 11 - 20 | 68D-G5987-00 | 17 - 9 |
| 69M-14342-68 | 7 - 5 | 68D-24610-10 | 8 - 2 | 6L5-45318-00 | 15 - 13 | 69M-E5316-00 | 11 - 10 | 69M-G2743-00 | 4 - 26 | 69M-W0093-00 | 19 - 1 |
| 69M-14343-31 | 7 - 3 | 68D-24612-00 | 8 - 3 | 6L5-45533-00-20 | 16 - 31 | 69M-E5363-00 | 4 - 24 | 69M-G2768-00 | 11 - 12 | 69M-WE001-00 | 18 - 1 |
| 69M-14381-00 | 7 - 7 | 69M-24633-00 | 8 - 8 | 6L5-45533-00-21 | 16 - 31 | 69M-E5396-00-5B | 4 - 14 | 69M-G3111-00-4D | 14 - 1 | 69M-WE090-01-1S | 2 - 1 |
| 69M-14385-00 | 7 - 9 | 624-24634-00 | 8 - 7 | 6L5-45533-00-22 | 16 - 31 | 69M-E5789-00 | 9 - 12 | 69M-G3112-00-4D | 14 - 2 | 69M-WG001-20 | 20 - 1 |
| | 19 - 3 | 69M-24641-01 | 8 - 10 | 6L5-45533-00-23 | 16 - 31 | 69M-F4111-01 | 8 - 1 | 69M-G3118-00 | 14 - 4 | 69M-WG078-00 | 20 - 9 |
| 6A1-14386-00 | 7 - 10 | 6G1-42125-01 | 12 - 21 | 6L5-45616-00 | 17 - 10 | 69M-F4181-00 | 8 - 18 | 69M-G3164-00 | 14 - 25 | 90101-06030 | 14 - 36 |
| | 19 - 4 | 6G1-42126-00 | 12 - 22 | 6L5-45631-00 | 16 - 36 | 69M-F4191-00 | 8 - 17 | 69M-G3166-00 | 14 - 26 | 90101-06M18 | 15 - 14 |
| 62Y-14392-00 | 7 - 12 | 67D-42129-00 | 12 - 2 | 6L5-45943-00 | 17 - 13 | 69M-F4311-00 | 8 - 15 | 69M-G3185-00 | 14 - 24 | 90101-08M07 | 14 - 7 |
| | 19 - 6 | 6G1-42138-01 | 12 - 18 | 6L5-45945-00 | 17 - 13 | 69M-F4375-00 | 8 - 11 | 69M-G3186-00 | 14 - 21 | 90105-06039 | 2 - 10 |
| 2T4-14397-00 | 7 - 16 | 69M-42528-00 | 14 - 29 | 6L5-45947-00 | 17 - 13 | 69M-F4591-00 | 11 - 22 | 69M-G3188-00 | 14 - 20 | 90105-06M24 | 10 - 7 |
| | 19 - 9 | 69M-42529-00 | 14 - 30 | 6L5-45949-00 | 17 - 13 | 69M-F6301-10 | 12 - 24 | 69M-G3311-01-4D | 14 - 12 | 90105-08M36 | 2 - 5 |
| 69M-14440-01 | 6 - 3 | 69M-42628-00 | 11 - 2 | 6L5-45952-00 | 17 - 13 | 69M-F6330-02 | 6 - 12 | 69M-G3312-00-4D | 14 - 13 | 90105-08M76 | 4 - 12 |
| 6H1-14485-00 | 4 - 2 | 69M-42629-00 | 11 - 6 | 6AH-81994-40 | 8 - 25 | 69M-F8100-00 | 8 - 27 | 69M-G3318-00 | 14 - 39 | 90119-06098 | 8 - 13 |
| 69M-14527-00 | 7 - 18 | 6L5-42647-00 | 11 - 14 | 6AH-81994-50 | 8 - 26 | 6BV-F8199-72-D0 | 8 - 28 | 69M-G3351-00 | 14 - 34 | 90119-06M17 | 11 - 13 |
| 69M-14536-00 | 7 - 19 | 69M-42662-00 | 1 - 7 | E3-82370-21 | 10 - 10 | 6BV-F8199-72-E0 | 8 - 28 | 69M-G3691-00 | 14 - 41 | 90119-06ME0 | 13 - 15 |
| | 19 - 10 | 6S7-42675-00 | 1 - 4 | 682-82556-00 | 10 - 12 | 6BV-F8199-72-F0 | 8 - 28 | 69M-G4111-00 | 13 - 1 | 90152-05011 | 12 - 16 |
| 69M-14966-00 | 7 - 6 | 6S7-42676-00 | 1 - 5 | 65W-82575-01 | 10 - 11 | 6BV-F8199-72-G0 | 8 - 28 | 69M-G4121-00 | 13 - 6 | 90157-05013 | 11 - 4 |

NUMERICAL INDEX
INDEX NUMERIQUE

| PART NO. N° PIECES | REF. NO. | PART NO. N° PIECES | REF. NO. | PART NO. N° PIECES | REF. NO. | PART NO. N° PIECES | REF. NO. | PART NO. N° PIECES | REF. NO. | PART NO. N° PIECES | REF. NO. |
|-----------------------|-------------|-----------------------|-------------|-----------------------|-------------|-----------------------|-------------|-----------------------|-------------|-----------------------|-------------|
| 90159-05M12 | 8 - 22 | 91690-20010 | 14 - 23 | 93604-12M07 | 4 - 11 | | | | | | |
| | 15 - 4 | 92903-06600 | 4 - 9 | | 15 - 6 | | | | | | |
| 90159-06M11 | 14 - 40 | 92990-04200 | 8 - 5 | | 15 - 17 | | | | | | |
| | 15 - 11 | 92990-05600 | 13 - 11 | | 17 - 4 | | | | | | |
| 90161-04003 | 11 - 21 | 92990-06300 | 17 - 3 | 93604-18080 | 16 - 25 | | | | | | |
| 90167-03M02 | 11 - 16 | 92990-06600 | 15 - 15 | | 20 - 16 | | | | | | |
| 90170-10M33 | 10 - 4 | 92990-08200 | 14 - 9 | 93700-06M03 | 14 - 28 | | | | | | |
| 90201-06040 | 14 - 37 | 92995-05600 | 13 - 9 | | 15 - 8 | | | | | | |
| 90201-08818 | 4 - 13 | 92995-06600 | 2 - 19 | 94702-00248 | 2 - 22 | | | | | | |
| | 18 - 7 | | 4 - 29 | 95380-08600 | 14 - 10 | | | | | | |
| 90201-08M54 | 17 - 12 | | 11 - 19 | 95380-08700 | 14 - 11 | | | | | | |
| 90201-105A2 | 10 - 5 | | 14 - 17 | 95780-06300 | 14 - 38 | | | | | | |
| 90201-10M02 | 12 - 15 | | 16 - 16 | 95817-06012 | 4 - 23 | | | | | | |
| 90201-13198 | 16 - 37 | | 17 - 6 | 95895-06020 | 17 - 2 | | | | | | |
| 90201-23008 | 3 - 2 | 92995-08600 | 4 - 19 | 97013-06045 | 4 - 8 | | | | | | |
| 90202-08022 | 14 - 8 | 93101-13M12 | 16 - 13 | 97075-06030 | 14 - 16 | | | | | | |
| 90243-04M01 | 14 - 5 | | 20 - 7 | 97075-08025 | 12 - 9 | | | | | | |
| 90266-04M05 | 14 - 32 | 93102-09004 | 4 - 17 | 97095-05012 | 13 - 8 | | | | | | |
| 90269-02M09 | 12 - 13 | | 18 - 10 | 97095-06012 | 10 - 9 | | | | | | |
| 90280-04M06 | 10 - 3 | 93102-20108 | 4 - 3 | 97095-06016 | 16 - 15 | | | | | | |
| 90340-08002 | 16 - 7 | | 4 - 16 | 97095-06020 | 2 - 18 | | | | | | |
| 90386-08032 | 12 - 17 | | 18 - 5 | | 4 - 28 | | | | | | |
| | 14 - 22 | | 18 - 9 | | 11 - 18 | | | | | | |
| 90387-06076 | 6 - 6 | 93103-09M41 | 16 - 5 | 97095-06030 | 17 - 5 | | | | | | |
| 90387-06176 | 8 - 12 | | 20 - 3 | 97095-06040 | 16 - 24 | | | | | | |
| 90430-08020 | 16 - 8 | 93210-05001 | 16 - 11 | | 20 - 15 | | | | | | |
| | 20 - 4 | | 20 - 6 | 97095-08014 | 4 - 20 | | | | | | |
| 90430-08800 | 4 - 21 | 93210-09350 | 13 - 2 | 97095-08020 | 4 - 18 | | | | | | |
| | 18 - 11 | 93210-13M43 | 8 - 20 | 97575-06535 | 15 - 7 | | | | | | |
| 90445-07805 | 6 - 8 | | 18 - 16 | 97595-06560 | 9 - 13 | | | | | | |
| 90445-09808 | 2 - 20 | 93210-20M65 | 6 - 4 | 97595-06575 | 6 - 5 | | | | | | |
| 90446-06M90 | 10 - 14 | | 18 - 12 | 97780-40012 | 1 - 3 | | | | | | |
| 90464-09013 | 2 - 21 | 93210-24M79 | 4 - 25 | 97880-05025 | 2 - 16 | | | | | | |
| 90465-08M99 | 4 - 10 | | 18 - 15 | 97885-05012 | 12 - 20 | | | | | | |
| 90465-11M10 | 6 - 2 | 93210-33M85 | 16 - 18 | 97890-04007 | 7 - 2 | | | | | | |
| 90467-11M08 | 8 - 23 | | 20 - 10 | 98580-03005 | 7 - 11 | | | | | | |
| 90467-13M13 | 8 - 16 | 93210-35537 | 4 - 15 | | 19 - 5 | | | | | | |
| 90468-100A0 | 8 - 6 | | 18 - 8 | 98580-04010 | 7 - 14 | | | | | | |
| 90480-25161 | 10 - 8 | 93210-48214 | 16 - 14 | | 19 - 8 | | | | | | |
| 90501-10064 | 16 - 34 | | 20 - 8 | 99001-06600 | 16 - 30 | | | | | | |
| 90501-100A5 | 8 - 4 | 93306-272Y2 | 4 - 4 | 99080-04600 | 14 - 27 | | | | | | |
| 90501-12802 | 13 - 4 | 93316-003Y0 | 16 - 6 | | | | | | | | |
| 90501-12803 | 14 - 33 | 93420-22M03 | 15 - 16 | | | | | | | | |
| 90501-23800 | 12 - 14 | 93440-08819 | 16 - 28 | | | | | | | | |
| 91490-16010 | 12 - 23 | 93450-13130 | 3 - 8 | | | | | | | | |
| | 13 - 12 | 93505-16024 | 13 - 3 | | | | | | | | |
| 91490-25030 | 17 - 11 | 93604-07M13 | 16 - 23 | | | | | | | | |
| 91609-25014 | 13 - 17 | 93604-12M07 | 2 - 6 | | | | | | | | |