



- Owner's Use and Care Guide
- Guide d'utilisation et soins de Propriétaire

**PORTABLE AIR CONDITIONER
CLIMATISEUR PORTATIF**

Model • Modèle · DPAC8011S



Contents

PORTABLE AIR CONDITIONER

Owner's Use and Care Guide

• Welcome	2
• Important safety information	3-6
• Operating Instructions	7-8
• Operation of wireless remote control	9-11
• Installation instructions	12-15
• Care and Maintenance	16
• Troubleshooting	17
• Safety notes	18
• Warranty	19

CLIMATISEUR PORTATIF

Guide d'utilisation et d'entretien

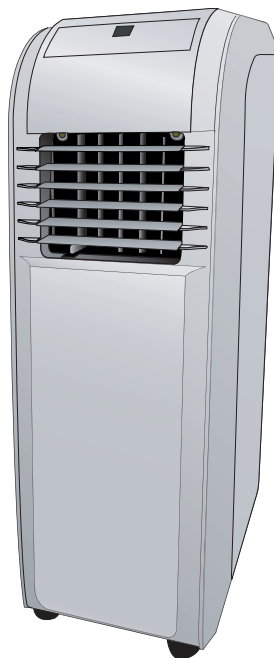
• Bienvenue.....	20
• Consignes de sécurité important	21-24
• Consignes d'utilisation	25-26
• Fonctionnement de la télécommande sans fil	27-29
• Installation	30-33
• Soins et entretien	34
• Dépannage	35
• Notes relatives à la sécurité	36
• Garantie	37

CAUTION:

Read and follow all safety rules and operating instructions before first use of this product.

PRECAUTION:

Veillez lire attentivement les consignes de sécurité et les instructions d'utilisation avant l'utilisation initiale de ce produit.



Model • Modèle DPAC8011S

Welcome

Thank you for choosing a Danby appliance to provide you and your family with all of the “Home Comfort” requirements of your home, cottage, or office. This Owner’s Use and Care Guide will provide you with valuable information necessary for the proper care and maintenance of your new appliance. If properly maintained, your Danby appliance will give you many years of trouble free operation. Please take a few moments to read the instructions thoroughly and familiarize yourself with all of the operational aspects of this appliance.

Your Danby Portable Air-Conditioner is a multi-functional room air-exchanging, air-processing appliance, designed to offer you the functions of; Air Conditioning, Dehumidifying, and Independent Fan. Each individual mode is featured with “oscillating” air swing capabilities. This unit can be conveniently moved from room to room within your home and set up in just minutes. Imagine the convenience of 4 Season Home Comfort at your fingertips, anywhere, anytime.

For easy reference, may we suggest you attach a copy of your sales slip/receipt to this page, along with the following information, located on the manufacturers nameplate on the rear panel of the unit.

Model Number:	_____
Serial Number:	_____
Date of Purchase:	_____

This information will be necessary if your unit requires servicing and/or for general inquiries. To contact a Customer Service Representative, call Danby **TOLL FREE: 1-800-263-2629**



Important Safety Information

READ AND FOLLOW ALL SAFETY INSTRUCTIONS

FOR YOUR SAFETY: Read these instructions carefully before operating and keep them for consultation.

ELECTRICAL SPECIFICATIONS

- Check the available power supply and resolve any wiring problems BEFORE installation and operation of this unit. All wiring must comply with local and national electrical codes and be installed by a qualified electrician. If you have any questions regarding the following instructions, contact a qualified electrician.
- For your safety and protection, this unit is grounded through the power cord when plugged into a matching wall outlet. If you are not sure whether the wall outlets in your home are properly grounded, please consult a qualified electrician.

WARNING

Improper connection of the grounding plug can result in risk of Fire, Electric Shock and/or injury to Persons associated with the appliance. Check with a qualified service representative if in doubt that the appliance is properly grounded.

- **DO NOT USE PLUG ADAPTERS OR EXTENSION CORDS WITH THIS UNIT.** If it is necessary to use an extension cord with this unit, use an approved “air conditioner” extension cord only. (available at most local hardware stores).
- To avoid the possibility of personal injury, always disconnect the power supply to the unit before installing and/or servicing.

CAUTION

Do not leave this unit unattended in a space where people or animals cannot react to a failed unit. A failed unit can cause extreme overheating or death in such an enclosed, unattended space.

POWER SUPPLY CORD

The power cord supplied with this air conditioner contains a device that senses damage to the power cord. To test if your power cord is working properly, you must do the following:

- 1) Connect the power supply cord to an electrical outlet.
- 2) The power supply cord has two buttons located on the head of the plug. One button is marked “TEST”, and the other is marked “RESET”. Press the “TEST” button; you will hear a click as the “RESET” button pops out.
- 3) Press the “RESET” button; you will hear a click as the button engages.
- 4) The power supply cord is now energized and supplying electricity to the air conditioner (on some products this is also indicated by a light on the plug head).

NOTE: The power cord supplied with this air conditioner contains a current leakage detection device designed to reduce the risk of fire. In the event the power supply cord is damaged, it cannot be repaired and must be replaced with a new cord from the product manufacturer.

- Under no circumstances should this device be used to turn the unit on or off.
- The “RESET” button must always be pushed in (engaged) for correct operation.
- The power supply cord must be replaced if it fails to reset when the “TEST” button is pushed in.



Important Safety Information

READ AND FOLLOW ALL SAFETY INSTRUCTIONS

FOR YOUR SAFETY: Read these instructions carefully before operating and keep them for consultation.

ENERGY SAVING TIPS

Your Danby appliance is designed to be highly efficient in energy savings. Follow these recommendations for greater efficiency.

- 1) Select a thermostat setting that suits your comfort needs and leave at that chosen setting.
- 2) The air filter is very efficient in removing airborne particles. Keep the air filter clean at all times.
- 3) Use drapes, curtains or shades to keep direct sunlight from penetrating and heating the room, but do not allow drapes or curtains to obstruct the air flow around the unit.
- 4) Start your air conditioner before the outdoor air becomes hot and uncomfortable, to avoid an initial period of discomfort while the unit is cooling off the room. Use of the automatic start/stop programmable TIMER feature can be a major asset in this regard if utilized to the fullest extent.
- 5) When outdoor temperatures are cool enough, turn the air conditioner off and use the FAN MODE. This circulates indoor air, providing some cooling comfort while utilizing less electricity.

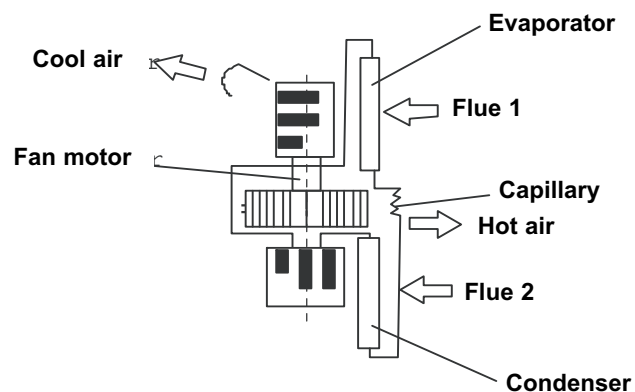
SUMMARY

A Mobile Air Conditioner is a type of small multifunctional and movable air conditioner that contains functions of COOLING and DRYING the air and it can be moved freely to different locations. It is suitable for office and houses especially those with many rooms. This product also contains the advantages of compact configuration, excellent process, elegant appearance, convenient moving, low cost and low noise.

Note: Please read this instruction manual carefully before operating the unit. This manual is only for reference the specification parameters are subject to change without notice.

WORKING PRINCIPLE

Under the function of fan motor, indoor airflow changes into cooled air through the evaporator then blows the air out, while the indoor airflow changes into heated air through the condenser then blows it out. There are 2 flues designed on the unit: heated air is discharged from the rear air outlet vent while cool air is discharged from the front air outlet vent. Gentle and steady cool air flows through the louver to reach the needed temperature.





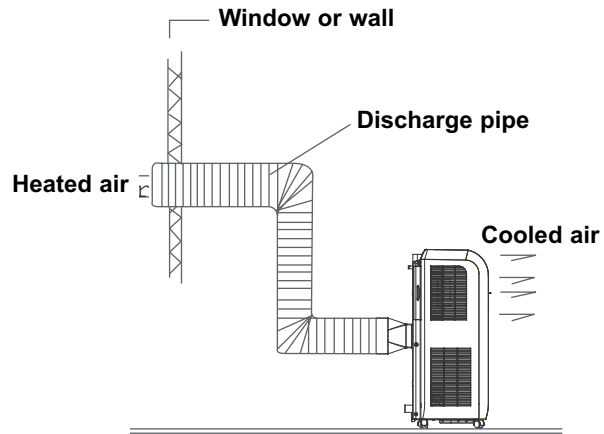
Important Safety Information

READ AND FOLLOW ALL SAFETY INSTRUCTIONS

FOR YOUR SAFETY: Read these instructions carefully before operating and keep them for consultation.

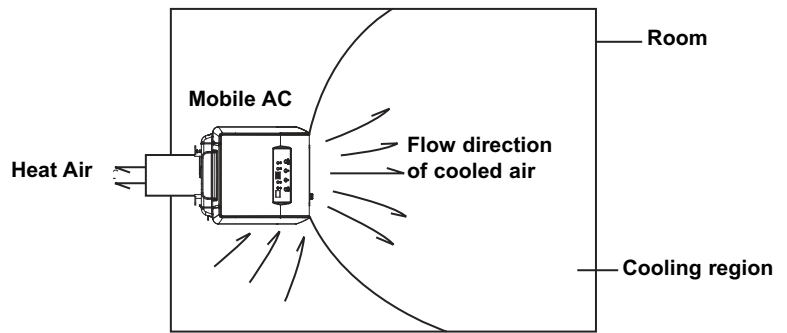
WORKING PRINCIPLE (cont)

When the unit is operating as a dehumidifier, remember to take off the heat discharge pipe and reinstall it on the unit when it is being used as an air conditioner. Since partial indoor air will be heated and will be discharged outside by the discharge pipe the outdoor air will enter to maintain balance of the air pressure. The air conditioner will only lower the temperature of a particular region of air in a indoor room instead of turning the entire indoor air to a lower temperature.

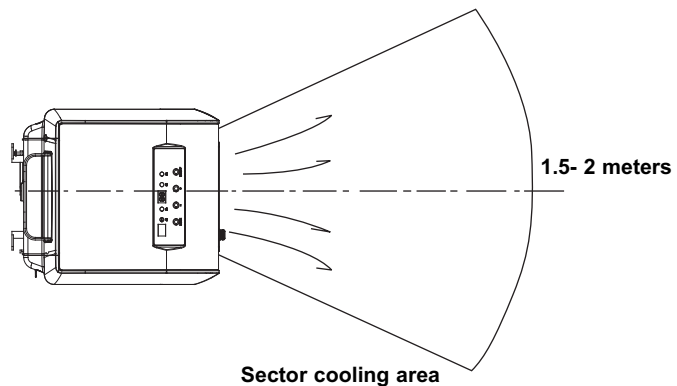


LOCATION AND USAGE

1. If the room area is smaller than 15m and the walls or building has good heat insulation, place the unit in the following location (see below) for best cooling effect.



2. If the room area is larger than 20m , for example workshops or factories, the unit can only cool partial area (as shown in following figure) people in this area can enjoy better cooling.





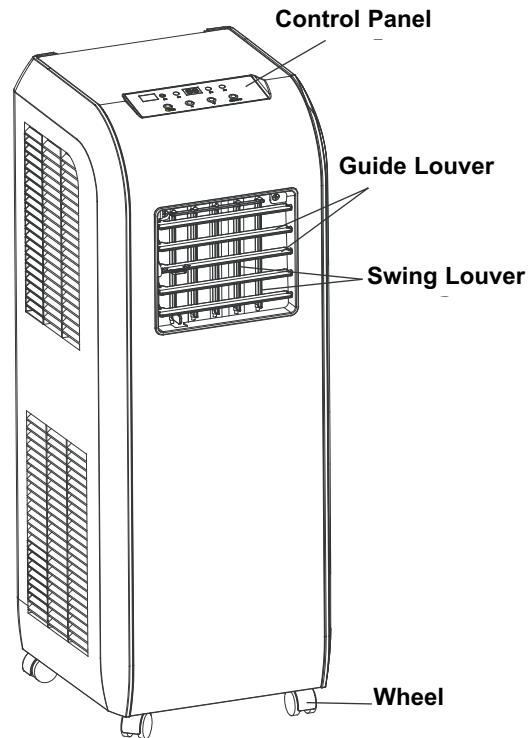
Important Safety Information

READ AND FOLLOW ALL SAFETY INSTRUCTIONS

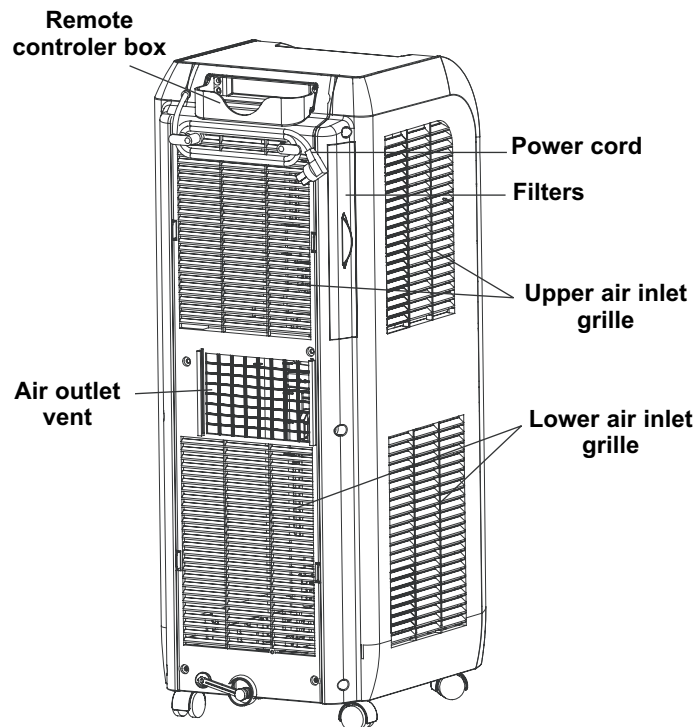
FOR YOUR SAFETY: Read these instructions carefully before operating and keep them for consultation.

STRUCTURE

FRONT



REAR





Operating Instructions

OPERATING METHODS

Applying the range for COOLING and DRYING.

The temperature range for this unit is from 16°C - 35°C (60.8°F - 95°F) for cooling and ranges from 16°C - 35°C (60.8°F - 95°F) for dehumidifying.

Location

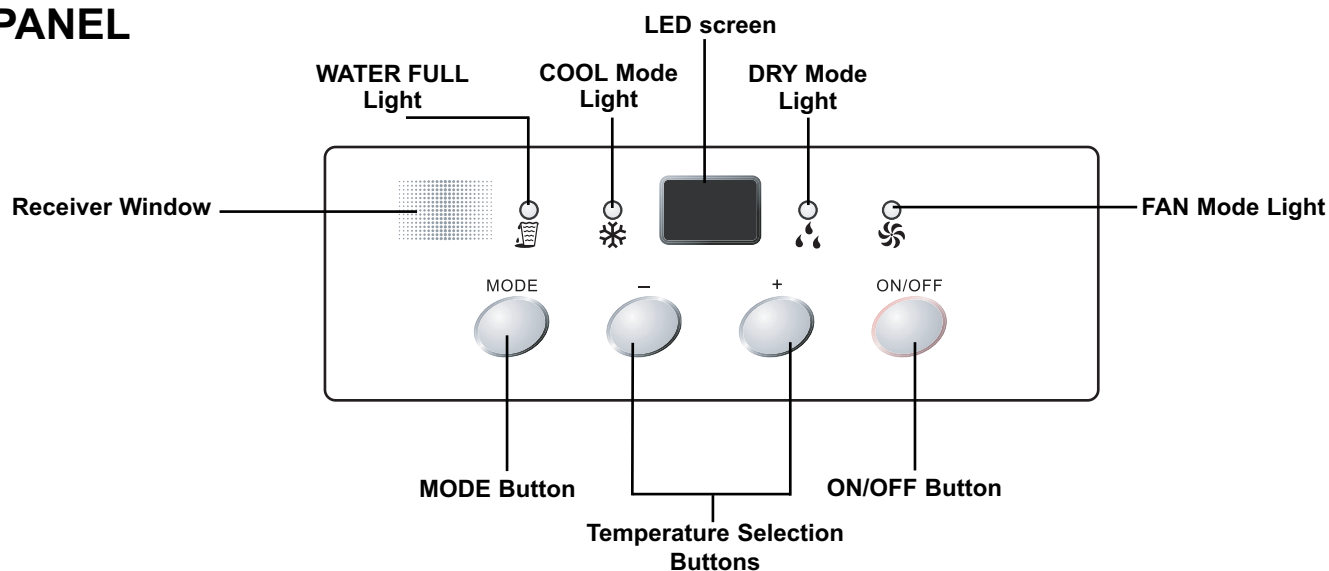
Place the unit on a horizontal floor when using, and maintain a distance of 50cm from the walls, surfaces, flammable objects or other obstructions.

Power (Check before connecting the power)

The normal running fluctuation range of voltage for this unit is ±10 value listed on the nameplate. Too high or too low of voltage will influence the unit. It is better to adopt a power lead and pickup current above 10A to prevent sudden drop of voltage when the unit is running. It is necessary to exchange a broken power cord for a special quality power cord.

When it is time to change the power cord or repair it, please contact the seller and have them repair it by a professional personnel. Grounding must be conducted and the unit should be connected to special grounding equipment in the building to ensure it's well grounded.

CONTROL PANEL



When pressing a valid key/button a beeps will sound to indicate a button was pressed and a light will turn on for that particular button.

1. ON/OFF

Turn on or turn off the unit (press once to turn on unit and repress to turn off).

2. "+" "-" key

In COOL mode, press "-" once, the set temperature will decrease by 1 (1°C), press "+" once, the set temperature will increase by 1 (1°C). The set temperature can be selected from 16°C -30°C (61°F -86°F).

3. MODE

While the unit is operating, press the key to enter the mode menu. FAN, COOL or DEHUME mode.

4. Fan speed

When working in FAN or COOL mode, the air conditioner can select 3 speeds. The initial speed is high when running in DRY the initial speed is low when running FAN mode.

5. Dry Mode

When the unit is operating in the dry mode, it decreases the humidity of the room.

6. Cool Mode

When the unit is operating in the cool mode, it decreases the temperature of the room.

7. Water Full

When the button is blinking the water in the tank is full, proceed to drain out the water.



Operating Instructions

ENVIRONMENTAL TEMPERATURE

Environmental temperature of this unit (range of the unit) is 16°C - 35°C (60.8°F - 95°F).

COMPRESSOR DELAY PROTECTION

When the unit is powered on for the first time there will be a 2-5 minute delay in compressor start. If power is interrupted while the unit is still running there may also be a 2-5 minute delay.

COOL MODE

1. Install the heat discharge pipe firmly, select a location near a door and window, connect the heat discharge pipe to the outside and remember to leave an air return vent in the window or door to guarantee the indoor air returns to normal.
2. After pressing the ON/OFF button to turn on the unit press MODE to select the cool option mode, the cool mode indicator light will turn on and the unit will run in cooling mode.
3. Press SPEED to select desired fan speed (High/Medium/Low).
4. Turn on the unit (initial start) first, make sure unit is running in COOL mode, the initial fan speed is set to high.

NOTE:

While COOL mode is running, in order to raise cooling effect, please:

- Close the curtains to prevent sunshine from shining into the air conditioning room:
- Prevent setting other heat source in the room.

DRY MODE

Close doors and windows to get the best results. Press ON/OFF to turn on the unit and press MODE then select DRY. Cool and dry indicator lights turn on and the unit will run in dry mode.

NOTE:

When in dry mode, the fan motor runs in low speed the compressor and external fan motor will run continuously. Set temperature will not be displayed and will not be adjustable. The Discharge pipe will be unnecessary to install.

FAN

Press ON/OFF to turn on the unit and select FAN by SPEED. The internal fan motor can run in 3 speeds of High, Medium or low, set temperature will not be displayed and will not be adjustable. High, Medium or low symbols will be displayed in the display window according to the speed selected of the internal fan.



Operation of wireless remote control

REMOTE CONTROL FUNCTIONS

Names and functions on the remote control.

NOTE: Be sure that there are no obstructions between receiver and remote controller; Don't drop or throw the remote control, Don't get the remote control wet, do not put the remote control directly under the sunlight or any place where it is very hot.



Remote Control

ON/OFF

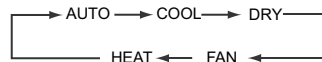
ON/OFF Button

- Press this button, the unit will be turned on, press it once more, the unit will be turned off. When turning on or turning off the unit, the Timer Sleep function will be canceled, but the presetting time will still remain.

MODE

MODE Button

- Press this button, Auto, Cool, Dry, Fan and Heat mode can be selected. Auto mode is default while the power is on. Under Auto mode, the temperature will not be displayed; Under Heat mode, the initial value is 28°C (82°F) under other modes, the initial value is 25°C (77°F).



- AUTO ◀
- COOL ◀
- DRY ◀
- FAN ◀
- HEAT ◀ Only on some units. (optional)

SLEEP

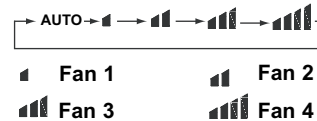
SLEEP Button

- Press this button, Sleep On and Sleep Off can be selected. Once the unit is powered on, Sleep Off is the default setting. When the unit is turned off, the Sleep function is canceled. After the Sleep function set up, the symbol of Sleep will display. In this mode the timer can be adjusted. Under Fan and Auto modes this function is not available.

FAN

FAN Button

- By pressing this key, you may select AUTO, FAN 1, FAN 2, FAN 3 or FAN 4 and may also cycle between them. FAN 4 is only available in cool mode. After being energized AUTO is the default setting. Only the LOW fan can be set under DRY mode, pressing this key can not adjust the fan speed but can send the signal.



SWING

SWING Button

- Press this key to activate or deactivate the swing. Moving of the louvers allow cooled air to change direction.




Operation of wireless remote control

REMOTE CONTROL FUNCTIONS

Names and functions on the remote control.

NOTE: Be sure that there are no obstructions between receiver and remote controller; Don't drop or throw the remote control, Don't get the remote control wet, do not put the remote control directly under the sunlight or any place where it is very hot.



Remote Control

+ Button

- Press for temperature increase. Pressing this button can set the temperature when unit is on. Continuously pressing this button or holding this button for more than 2 seconds will change the settings rapidly. Once the button is released and not pressed the °C (°F) will be displayed. Once the unit is in auto mode the temperature can not be altered or set. The celsius setting range from 16°C-30°C . The fahrenheit scale setting range from 61°F - 86°F.

- Button

- By pressing this button the temperature can be decreased. Pressing this button allows the user to set the desired temperature. Continuously pressing this button or holding the button for 2 seconds, settings can quickly change. Once button is released the °C (°F) signal will be displayed. The temperature adjustment is unavailable under the auto mode, but can be set by pressing this button.

TIMER

TIMER Button

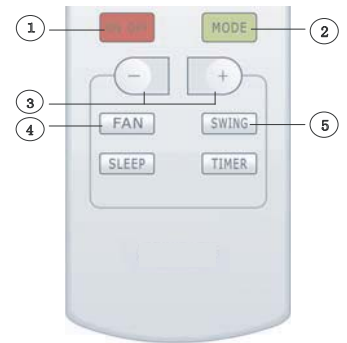
- By pressing this button while the unit is off you can set the time for auto switch on (when unit should turn on). The range of setting is 0.5-24 hours. Letters "T-ON" and "H" will flash for 5 seconds. Within 5 seconds you may press this key to complete the set up. If the setting is valid the set time will be displayed for 2 seconds before the temperature display message. During flashing you may press "+" key to increase the value and press "-" key to decrease the value. The time will increase or decrease by 0.5 hours with each press of these keys. If pressing "+" or "-" key continuously the time value will change rapidly. The remote controller can increase the set time by 0.5 hours every 0.25 seconds. After being energized the default is no timer setting and there is no display of "T-ON" or "H". Press ON/OFF key to switch the unit on and cancel the auto switch-on. When the temperature display becomes constant, you may press this key again to display the remaining set time. The time value, "T-ON" and "H" will display constantly for 2 seconds. After 2 seconds the preset temperature will be displayed. Within these 2 seconds, you may press this key again to cancel the auto switch-on. By pressing this key under the switch-on state, you may set the time for auto switch-off. (when the unit should turn off). This procedure is the same as for auto switch-on.



Operation of wireless remote control

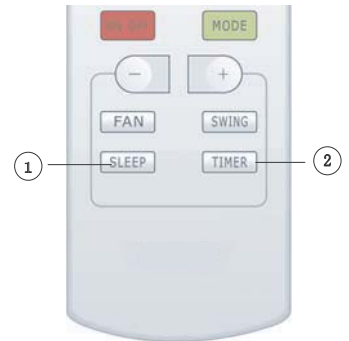
GENERAL OPERATION

1. After the unit is powered on (press ON/OFF button) the unit will start to run. (Note: When it is powered off, the guide louver of main unit will close automatically.)
2. Press MODE button, select desired running mode, or press COOL or HEAT mode to enter into their corresponding operation directly.
3. Press + or - buttons, to set the desired temperature. (It is unnecessary to set the temp. at AUTO mode.)
4. Pressing FAN button, set fan speed, can select AUTO, FAN 1, FAN 2, FAN 3 or FAN 4.
5. Press SWING button to select the swing.




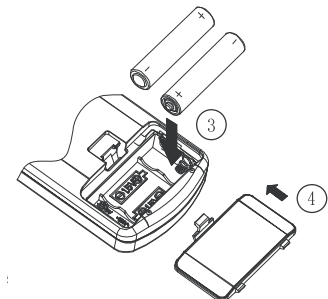
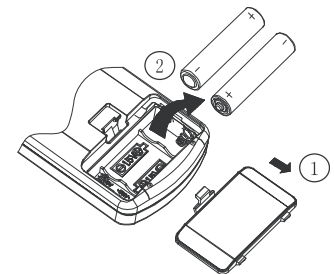
OPTIONAL OPERATION

1. Press SLEEP button to set sleep timer.
2. Press TIMER button to set the scheduled timer on or timer off.



CHANGING THE BATTERIES

1. Press slightly  to take off the back cover of the remote control.
2. Take out the old batteries as shown.
3. Insert two new AAA1.5V dry batteries, and pay attention to the polarity. (As shown in figure)
4. Attach the back cover of remote control. (As show in figure)



NOTE:

- When changing the batteries do not use old or different batteries, otherwise, it can cause a malfunction to the wireless remote control.
- If the wireless remote control will not be used for a long time, please take them out, and don't let the leaking liquid damage the wireless remote control.
- The operation should be in its receiving range.
- It should be placed 1m away from the TV set or stereo sound system sets.
- If the wireless remote control can not operate normally, please take the batteries out and wait 30 seconds then reinsert them. If the remote still cant function properly please change the batteries.



Installation Instructions

DRAINAGE METHOD

When the unit is running in cool or dry mode the condensation will drain to the water tank. When the water tank is full a beeper will sound 8 times for warning. When the water tank is full a green indicator light will flash on the panel displaying "H8" in the display window and the unit will stop running. Plug in the drainage hose and take off the hose from the fixing clamp, then drain out the water in the tank. After that plug in the plug pipe onto the pipe to prevent leakage of condensed content and fix the drainage pipe fixing clamp as shown in the following figure. The unit will resume running once the tank is empty and the compressor stops for 3 minutes.

INSTALLATION OF DRAINAGE HOSE

Note: Drainage hose must be installed before using otherwise blockage of the drain may occur that will effect the normal operation of the unit.

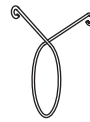
Accessories Included:



Drainage Pipe



Clamp



Pipe hoop



Rubber plug

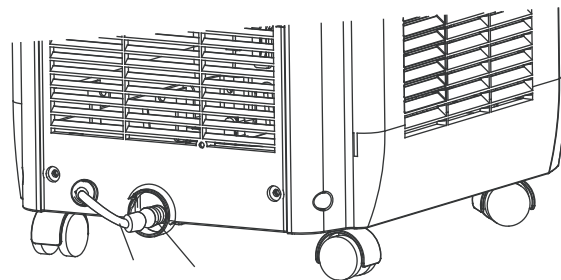


Screw

• Installing Drain Hose:

1. Remove drain cap from drain port.

Drain Cap



C. Drain port

D. Drain cap

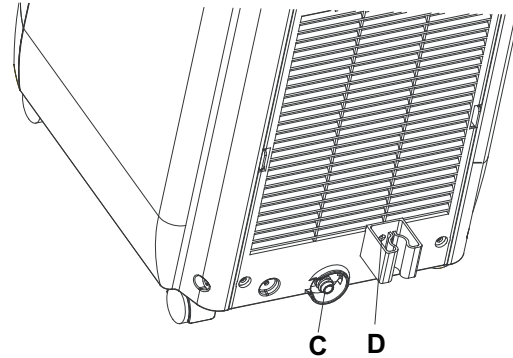
2. Attach one end of the drain hose to the drain port with the clamp. See Drain Hose graphic.
3. Insert the drain plug into the other end of the drain hose and secure with clamp. See Drain Hose graphic.
4. Attach the drain hose clip to the back panel of the air conditioner near the drain port with the screw provided.



Installation Instructions

INSTALLATION OF DRAINAGE HOSE

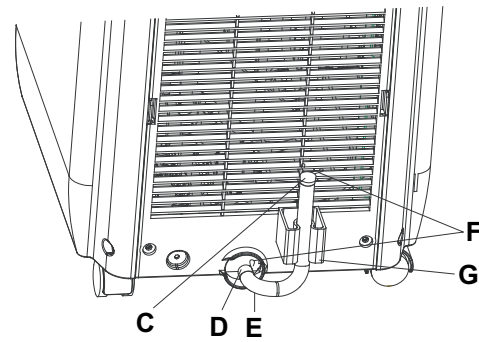
Drain Hose Clip



- C. Drain Port
- D. Attach drain hose clip with screw provided.

5. Snap the free end of the drain hose into the drain hose clip.

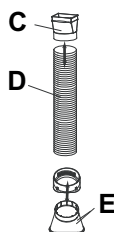
Drain Hose



- C. Drain hose
- D. Drain port
- E. Drain plug
- F. Clamps
- G. Drain hose clip

INSTALLING THE EXHAUST HOSE AND ADAPTER

1. Roll air conditioner to its selected location. See “Location Requirements.”
2. Insert one end of the flexible exhaust hose into the exhaust adapter.
3. Twist clockwise to lock hose into place.
4. Insert the other end of the flexible exhaust hose into the window exhaust adapter.
5. Twist clockwise to lock hose into place.



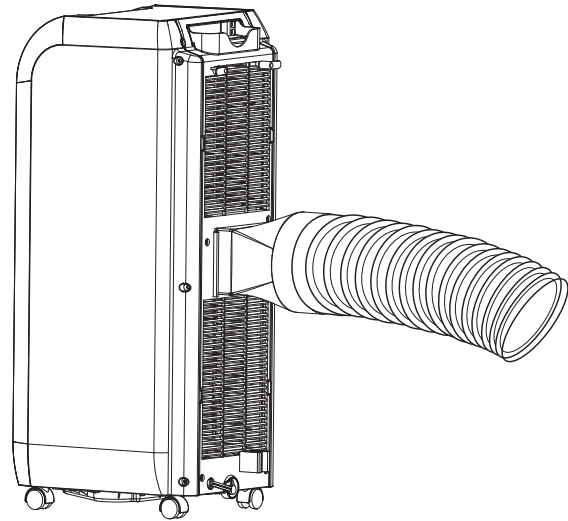
- C. Window exhaust adapter
- D. Flexible exhaust hose
- E. Exhaust adapter



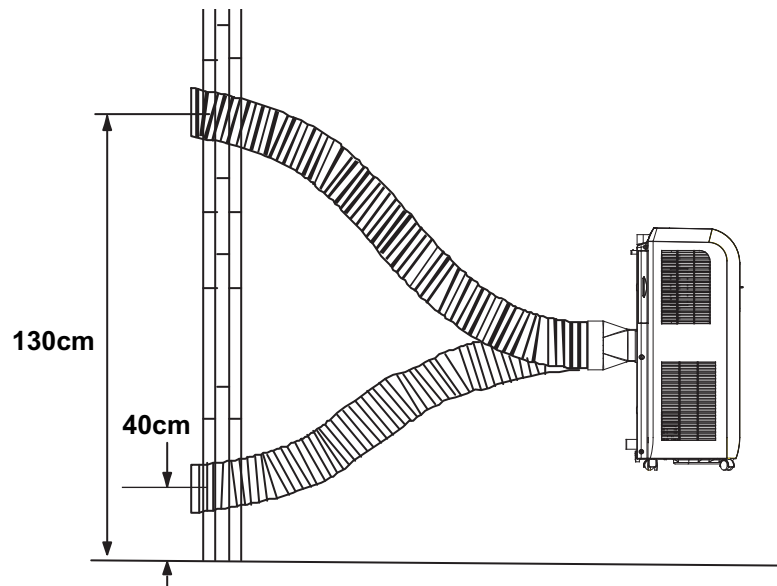
Installation Instructions

INSTALLATION OF HEAT EXHAUST HOSE

- The length range of the exhaust pipe should be 500mm-1500mm. It is recommended to use a pipe with shortest length.
- When installing, exhaust pipe should be as flat as possible. Don't prolong the pipe or connect it with other exhaust pipes.



Correct installation is as shown (see figure) (When installing it on a wall, height of pipes should be about 40cm-130cm from floor).

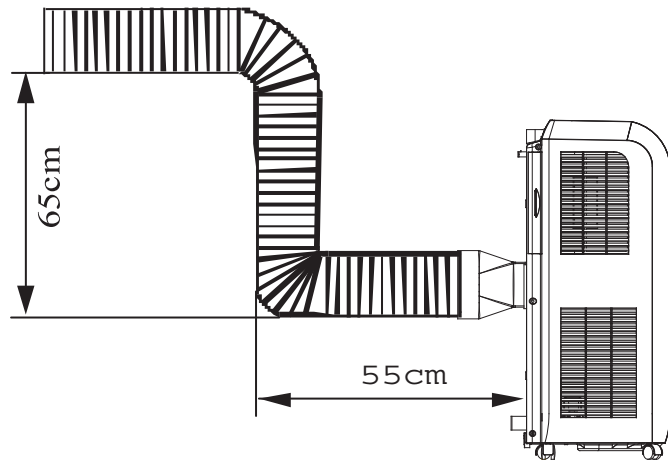
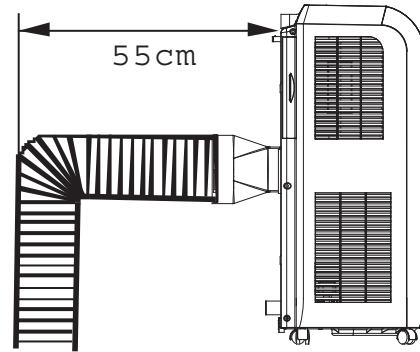




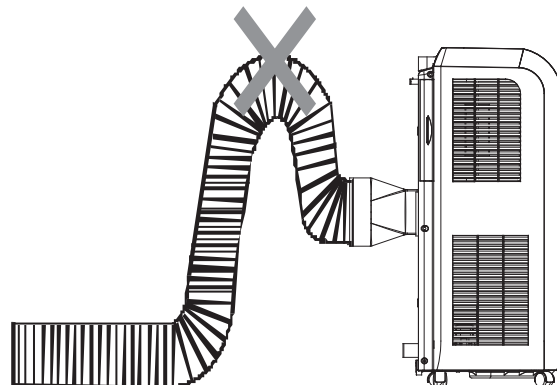
Installation Instructions

INSTALLATION OF HEAT EXHAUST HOSE (con't)

If the pipe is to be bent, please install it by following these dimension.



Wrong installation is shown in the following figure (If the pipe is bent too much, it would easily cause malfunction.)





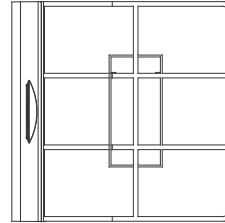
Care and Maintenance

MOVING THE UNIT

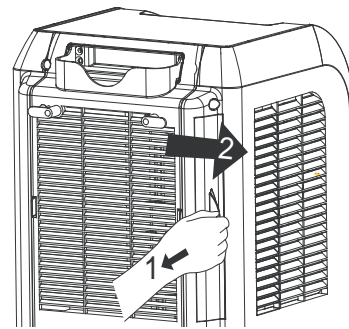
There are wheels at bottom of the unit that enable the unit to be moved among rooms conveniently according to need. Unplug the power cord from the socket to disable the power of the unit before any maintenance is done to the unit.

CLEANING THE AIR FILTER

If too much duct deposit is on the filter, performance of air conditioner will reduce, thus it is better to clean the filter at least once every 2 weeks. (more often if you have pets due to pet hair)



- Take out filter from these 2 directions. (see below)

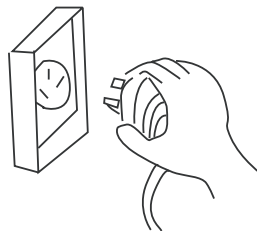


- Clean filter individually, when cleaning wash it in luke warm water with no harsh detergents.

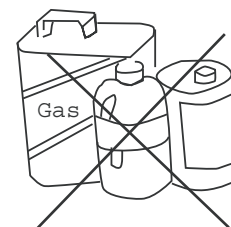
CLEANING THE UNIT

Please soak a cloth in warm water whose temperature is lower than 40°C (104°F) (soap water or water with proper cleaner) and wipe the dirty part of the unit slightly. Don't clean the unit by gasoline, diesel oil or similar substances. Pull out the power plug before cleaning to disable the power.

Unplug the power cord before cleaning the unit



Do not use gasoline, diesel, oil or similar substances to clean the unit





Troubleshooting

Occasionally a problem may arise that is minor in nature, and a service call may not be necessary. Use this troubleshooting guide for a possible solution. If the unit continues to operate improperly, call an authorized service depot or Danby's Toll Free Number **1-800-263-2629** for assistance.

PROBLEM	POSSIBLE CAUSE	SOLUTION
The air conditioner doesn't start.	<ul style="list-style-type: none"> • The power supply is incorrect. • The power plug is incorrect. • There is a malfunction with the power plug or socket. • The fuse is blown. 	<ul style="list-style-type: none"> • Insert the power plug tightly. • Replace the power plug or socket. • Call the service depot.
The LCD displays the number of time, but it doesn't work.	<ul style="list-style-type: none"> • Is the TIMER ON in operation? 	<ul style="list-style-type: none"> • Cancel the "SET TIMER" operation or wait for the unit to run in "AUTO".
Although it was set to COOL mode, there is no cool air.	<ul style="list-style-type: none"> • The room temperature is lower than the set temperature. • The evaporator is frosted up. 	<ul style="list-style-type: none"> • This is the normal phenomenon. • Unit is running in defrosting operation, it will resume running in normal operation after defrosting.
Although it was set to DRY mode, there is no cool air.	<ul style="list-style-type: none"> • The evaporator is frosted up. 	<ul style="list-style-type: none"> • Unit is running in defrosting operation, it will resume running in normal operation after defrosting.
The LCD displays E5	<ul style="list-style-type: none"> • Low voltage over current protection. 	<ul style="list-style-type: none"> • Turn off the unit and unplug the unit from the power, after 10 minutes turn on the unit. If the display is still the same please call the service depot.
The LCD displays H8	<ul style="list-style-type: none"> • The water tank gets full. 	<ul style="list-style-type: none"> • Drain the tank. • If the malfunction still exists, please call the service dept.



Safety Notes

LOCATION

- Don't place the unit where there is direct sunlight
- The unit should be at least 50cm away anything flammable.
Don't place the unit or operate it in a place where it will get wet to prevent electrical malfunctions.
- Don't operate the unit in the following locations:
*Gas place *Fire *Oil

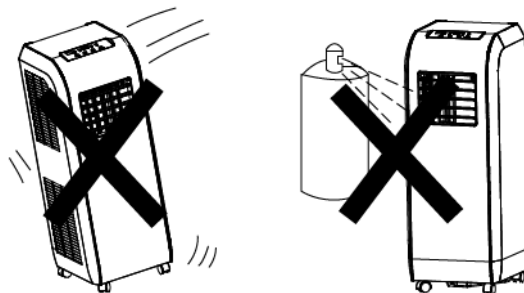
OTHERS

- Don't climb on the unit or place something on it, unit may fall down and malfunctions may occur.
- Don't let the air from the unit blow directly towards you for long periods of time (health hazard).
- The unit should be at least 1m from a television to prevent disturbance of electromagnetic waves.
- Don't block air inlet or outlet vent because it will lead to malfunction.
- Don't insert finger or stick anything into the air outlet vent; take special care of children to prevent accidents.
- It is forbidden to slope or turn down the air conditioner. Unplug the unit from the power immediately if abnormal circumstances occur and contact the authorized seller to check and repair the unit.
- Don't sprinkle and shower the unit by insecticide for it will lead to deformation or breakage.
- If your air conditioner has problems on quality or others, please contact local seller.

DISPOSAL

For disposal there are several possibilities:

- a) The municipality has established a collection system, where electronic waste can be disposed at no charge to the user.
- b) As old products contain valuable resources, they can be sold to scrap metal dealers. Wild disposal of waste in forests and landscapes endangers your health when hazardous substances leak into the ground-water and find their way into the food chain.



DISPOSAL: Do not dispose this product as unsorted municipal waste. Collection of such waste separately is necessary for special treatment.



LIMITED IN-HOME APPLIANCE WARRANTY

This quality product is warranted to be free from manufacturer's defects in material and workmanship, provided that the unit is used under the normal operating conditions intended by the manufacturer.

This warranty is available only to the person to whom the unit was originally sold by Danby Products Limited (Canada) or Danby Products Inc. (U.S.A.) (hereafter "Danby") or by an authorized distributor of Danby, and is non-transferable.

TERMS OF WARRANTY

Plastic parts, are warranted for thirty (30) days only from purchase date, with no extensions provided.

First Year During the first twelve (12) months, any functional parts of this product found to be defective, will be repaired or replaced, at warrantor's option, at no charge to the ORIGINAL purchaser.

To obtain Service Danby reserves the right to limit the boundaries of "In Home Service" to the proximity of an Authorized Service Depot. Any appliance requiring service outside the limited boundaries of "In Home Service", it will be the consumer's responsibility to transport the appliance (at their own expense) to the original retailer (point of purchase) or a service depot for repair. See "Boundaries of In Home Service" below. Contact your dealer from whom your unit was purchased, or contact your nearest authorized Danby service depot, where service must be performed by a qualified service technician.

If service is performed on the units by anyone other than an authorized service depot, or the unit is used for commercial application, all obligations of Danby under this warranty shall be void.

Boundaries of In Home Service If the appliance is installed in a location that is 100 kilometers (62 miles) or more from the nearest service center your unit must be delivered to the nearest authorized Danby Service Depot, as service must only be performed by a technician qualified and certified for warranty service by Danby. Transportation charges to and from the service location are not protected by this warranty and are the responsibility of the purchaser.

Nothing within this warranty shall imply that Danby will be responsible or liable for any spoilage or damage to food or other contents of this appliance, whether due to any defect of the appliance, or its use, whether proper or improper.

EXCLUSIONS

Save as herein provided, Danby, there are no other warranties, conditions, representations or guarantees, express or implied, made or intended by Danby or its authorized distributors and all other warranties, conditions, representations or guarantees, including any warranties, conditions, representations or guarantees under any Sale of Goods Act or like legislation or statute is hereby expressly excluded. Save as herein provided, Danby shall not be responsible for any damages to persons or property, including the unit itself, howsoever caused or any consequential damages arising from the malfunction of the unit and by the purchase of the unit, the purchaser does hereby agree to indemnify and hold harmless Danby from any claim for damages to persons or property caused by the unit.

GENERAL PROVISIONS

No warranty or insurance herein contained or set out shall apply when damage or repair is caused by any of the following:

- 1) Power failure.
- 2) Damage in transit or when moving the appliance.
- 3) Improper power supply such as low voltage, defective house wiring or inadequate fuses.
- 4) Accident, alteration, abuse or misuse of the appliance such as inadequate air circulation in the room or abnormal operating conditions (extremely high or low room temperature).
- 5) Use for commercial or industrial purposes (ie. If the appliance is not installed in a domestic residence).
- 6) Fire, water damage, theft, war, riot, hostility, acts of God such as hurricanes, floods etc.
- 7) Service calls resulting in customer education.
- 8) Improper Installation (ie. Building-in of a free standing appliance or using an appliance outdoors that is not approved for outdoor application).

Proof of purchase date will be required for warranty claims; so, please retain bills of sale. In the event warranty service is required, present this document to our AUTHORIZED SERVICE DEPOT.

Warranty Service
In-home

Danby Products Limited
PO Box 1778, Guelph, Ontario, Canada N1H 6Z9
Telephone: (519) 837-0920 FAX: (519) 837-0449

1-800-263-2629

Danby Products Inc.
PO Box 669, Findlay, Ohio, U.S.A. 45840
Telephone: (419) 425-8627 FAX: (419) 425-8629

Bienvenue

Merci d'avoir choisi un appareil Danby qui vous fournira ainsi qu'à votre famille, le confort au foyer, à la maison, au chalet ou au bureau. Ce manuel d'utilisation vous offre des renseignements pratiques pour le soin et l'entretien de votre nouvel appareil. Un appareil Danby bien entretenu vous fournira plusieurs années de service sans ennui.

Veuillez prendre quelques moments pour lire attentivement toutes les directives pour vous renseigner et vous familiariser avec tous les aspects du fonctionnement de votre appareil.

Votre climatiseur portable Danby est un appareil d'échange et de traitement de l'air à fonctions multiples. Sa conception vous offre les fonctions suivantes: la climatisation, la déshumidification et la ventilation indépendante. Chacun des modes est équipé d'une capacité de balayage de l'air par oscillation. Cet appareil peut être aisément déplacé d'une pièce à l'autre de la maison et il est installé en quelques minutes seulement. Imaginez la commodité du confort au foyer 3 saisons à portée de la main, en tout temps, en tout lieu.

Pour la référence aisée, nous vous suggérons de joindre une copie de votre reçu de caisse et/ou facture d'achat à cette page, et d'inscrire les renseignements suivants qui sont trouvés sur la plaque d'identification du fabricant. Celle-ci est située sur le panneau arrière de l'appareil.

Numéro de modèle: _____
Numéro de série: _____
Date d'achat : _____

Ces renseignements seront requis si le service est demandé et/ou si vous désirez obtenir des renseignements supplémentaires. Pour consulter un Représentant du service à la clientèle, composez le NUMÉRO D'APPEL SANS FRAIS suivant: **1-800-263-2629**



Consignes de sécurité important

LISEZ TOUTE L'INFORMATION DE SÉCURITÉ AVANT UTILISATION

POUR VOTRE SÉCURITÉ : Lisez ces instructions attentivement avant d'utiliser l'appareil et conservez-les afin de pouvoir vous y référer ultérieurement.

SPÉCIFICATIONS ÉLECTRIQUES

- Vérifiez l'alimentation disponible et réglez tout problème relatif au câblage AVANT d'installer et d'utiliser cet appareil. La totalité du câblage doit respecter les codes de l'électricité locaux et nationaux et être installée par un électricien qualifié. Si vous avez des questions concernant les instructions suivantes, communiquez avec un électricien qualifié.
- Pour assurer votre sécurité et votre protection, cet appareil est mis à la terre par l'entremise du cordon d'alimentation lorsqu'il est branché dans une prise murale correspondante. Si vous n'êtes pas certain que les prises murales de votre maison sont correctement mises à la terre, veuillez consulter un électricien qualifié.

AVERTISSEMENT

Une fiche de mise à la terre mal branchée peut entraîner un risque d'incendie, de choc électrique ou de blessures aux personnes qui utilisent l'appareil. Si vous n'êtes pas certain que l'appareil est correctement mis à la terre, consultez un préposé du service qualifié.

- **N'UTILISEZ PAS D'ADAPTATEURS DE FICHE OU DE RALLONGES AVEC CET APPAREIL.** S'il est nécessaire d'utiliser une rallonge avec cet appareil, n'utilisez qu'une rallonge approuvée pour « climatiseurs » (disponible dans la plupart des quincailleries).
- Pour éviter les blessures, débranchez toujours l'appareil avant de l'installer ou de procéder à son entretien ou à sa réparation.

MISE EN GARDE

Ne laissez pas cet appareil sans surveillance à un endroit où des individus ou des animaux ne peuvent pas réagir en cas de défaillance. Une défaillance de l'appareil dans un endroit clos sans surveillance peut causer une surchauffe extrême ou même la mort.

CORDON D'ALIMENTATION

Le cordon d'alimentation fourni avec ce climatiseur contient un dispositif qui détecte les dommages au cordon. Pour vérifier si votre cordon d'alimentation fonctionne correctement, voici la marche à suivre :

- 1) Branchez le cordon d'alimentation sur une prise électrique.
- 2) Vous trouverez deux boutons sur la fiche du cordon d'alimentation. Un bouton est marqué « TEST » et l'autre « RESET ». Appuyez sur le bouton « TEST »; vous entendrez un déclic et le bouton « RESET » ressortira.
- 3) Appuyez sur le bouton « RESET »; vous entendrez un déclic lorsque le bouton s'engagera.
- 4) Le cordon d'alimentation est maintenant sous tension et alimente le climatiseur (sur certains produits, cela est également indiqué par un témoin lumineux sur la fiche).

REMARQUE : Le cordon d'alimentation fourni avec ce climatiseur contient un dispositif de détection des fuites de courant, conçu pour réduire les risques d'incendie. Si un cordon d'alimentation est endommagé, il ne peut pas être réparé et doit être remplacé par un nouveau cordon fourni par le fabricant du produit.

- Ce dispositif ne doit jamais être utilisé pour allumer ou éteindre l'appareil.
- Pour assurer le bon fonctionnement, le bouton « RESET » doit toujours être enfoncé.
- Le cordon d'alimentation doit être remplacé s'il ne se réinitialise pas lorsque l'on appuie sur le bouton « TEST ».



Consignes de sécurité important

LISEZ TOUTE L'INFORMATION DE SÉCURITÉ AVANT UTILISATION

POUR VOTRE SÉCURITÉ : Lisez ces instructions attentivement avant d'utiliser l'appareil et conservez-les afin de pouvoir vous y référer ultérieurement.

CONSEILS RELATIFS AUX ÉCONOMIES D'ÉNERGIE

Votre appareil Danby est conçu pour être très économe en matière de consommation d'énergie. Pour une plus grande efficacité, suivez ces recommandations.

- 1) Sélectionnez un réglage du thermostat que vous trouvez confortable, et ne le modifiez plus.
- 2) Le filtre à air enlève les particules aériennes de façon très efficace. Le filtre doit toujours rester propre.
- 3) Utilisez des rideaux ou des stores pour éviter que la lumière directe du soleil pénètre dans la pièce et la réchauffe, mais ne les laissez pas bloquer la circulation de l'air autour de l'appareil.
- 4) Mettez votre climatiseur en marche avant que l'air extérieur devienne chaud et inconfortable pour éviter la période d'inconfort initiale, pendant que l'appareil refroidit la pièce. L'utilisation de la fonction de minuterie programmable de mise en marche et d'arrêt automatique peut être un atout important si elle est utilisée au maximum.
- 5) Lorsque les températures extérieures sont assez fraîches, éteignez le climatiseur et utilisez le mode ventilation. Cela permet de faire circuler l'air intérieur, ce qui procure un certain rafraîchissement tout en consommant moins d'électricité.

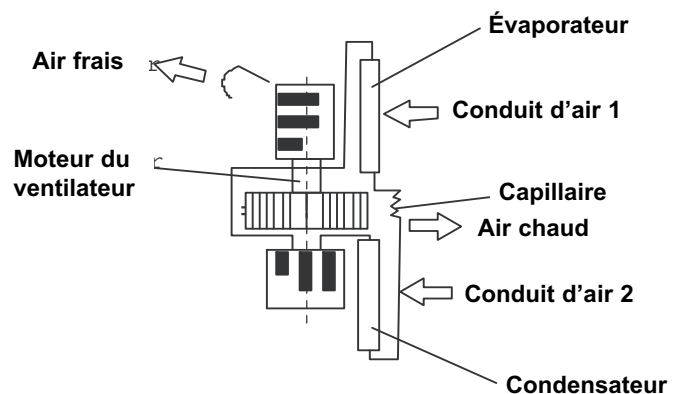
RÉSUMÉ

Un climatiseur mobile est un petit climatiseur déplaçable et multifonction, qui permet de refroidir et d'assécher l'air et qui peut être déplacé librement à différents endroits. Il convient aux bureaux et aux maisons, surtout à celles qui possèdent plusieurs pièces. Ce produit possède également d'autres avantages : configuration compacte, excellent processus, aspect élégant, déplacement commode, coût peu élevé et fonctionnement peu bruyant.

Remarque : Veuillez lire ce manuel attentivement avant d'utiliser l'appareil. Ce manuel ne doit servir que de référence; les paramètres de la spécification sont modifiables sans préavis.

PRINCIPES DE FONCTIONNEMENT

Lorsque le moteur du ventilateur fonctionne, l'air intérieur qui entre dans l'appareil passe dans l'évaporateur où il est refroidi puis soufflé à l'extérieur; et l'air extérieur qui entre dans l'appareil passe dans le condensateur où il est réchauffé puis soufflé à l'intérieur. Deux conduits d'air se trouvent sur l'appareil : l'air chaud est évacué par l'évent de sortie situé à l'arrière de l'appareil, tandis que l'air froid est évacué par l'évent de sortie situé à l'avant. Un courant d'air frais doux et régulier sort par la grille d'aération afin d'atteindre la température requise.





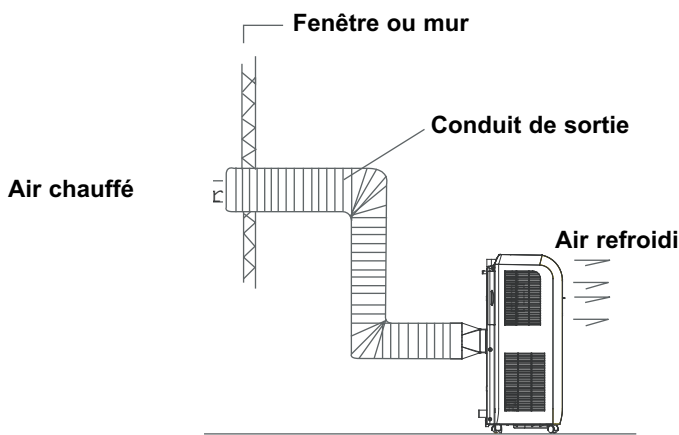
Consignes de sécurité important

LISEZ TOUTE L'INFORMATION DE SÉCURITÉ AVANT UTILISATION

POUR VOTRE SÉCURITÉ : Lisez ces instructions attentivement avant d'utiliser l'appareil et conservez-les afin de pouvoir vous y référer ultérieurement.

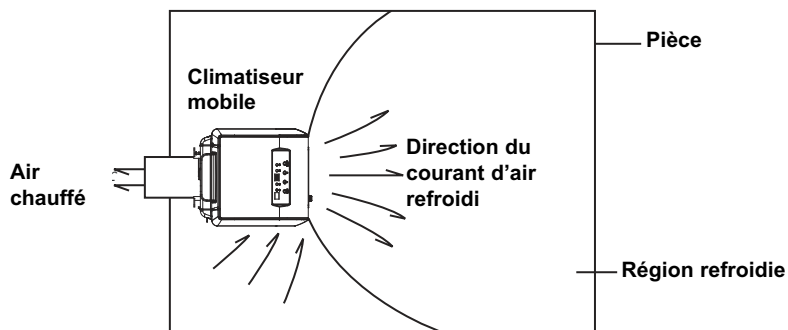
PRINCIPES DE FONCTIONNEMENT (suite)

Lorsque l'appareil fonctionne comme déshumidificateur, n'oubliez pas de retirer le tuyau de sortie de l'air chaud et de le réinstaller sur l'appareil lorsque celui-ci est utilisé comme climatiseur. Puisqu'une partie de l'air intérieur chauffé sera rejeté à l'extérieur par le conduit de sortie, de l'air extérieur entrera pour assurer une pression d'air équilibrée. Le climatiseur baisse uniquement la température d'une région particulière d'une pièce intérieure au lieu de baisser la température de tout l'air dans la pièce.

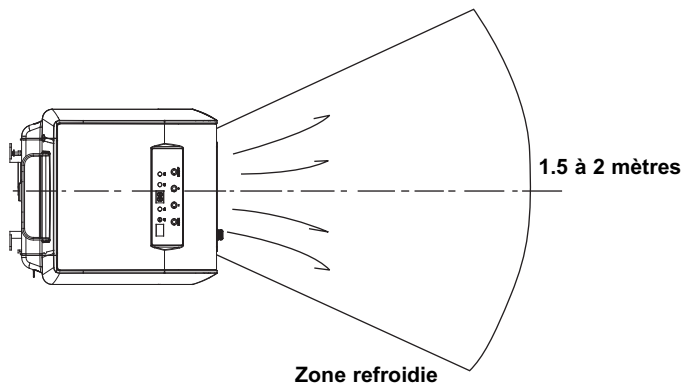


EMPLACEMENT ET UTILISATION

1. Si la surface de la pièce est inférieure à 15 m et que les murs ou l'immeuble sont bien isolés, placez l'appareil à l'endroit suivant (voir ci-dessous) pour obtenir un refroidissement optimal.



2. Si la surface de la pièce est supérieure à 20 m (p. ex., ateliers ou usines), l'appareil ne peut en refroidir qu'une partie (voir l'illustration ci-dessous). Les individus dans cette zone bénéficieront d'un meilleur refroidissement.



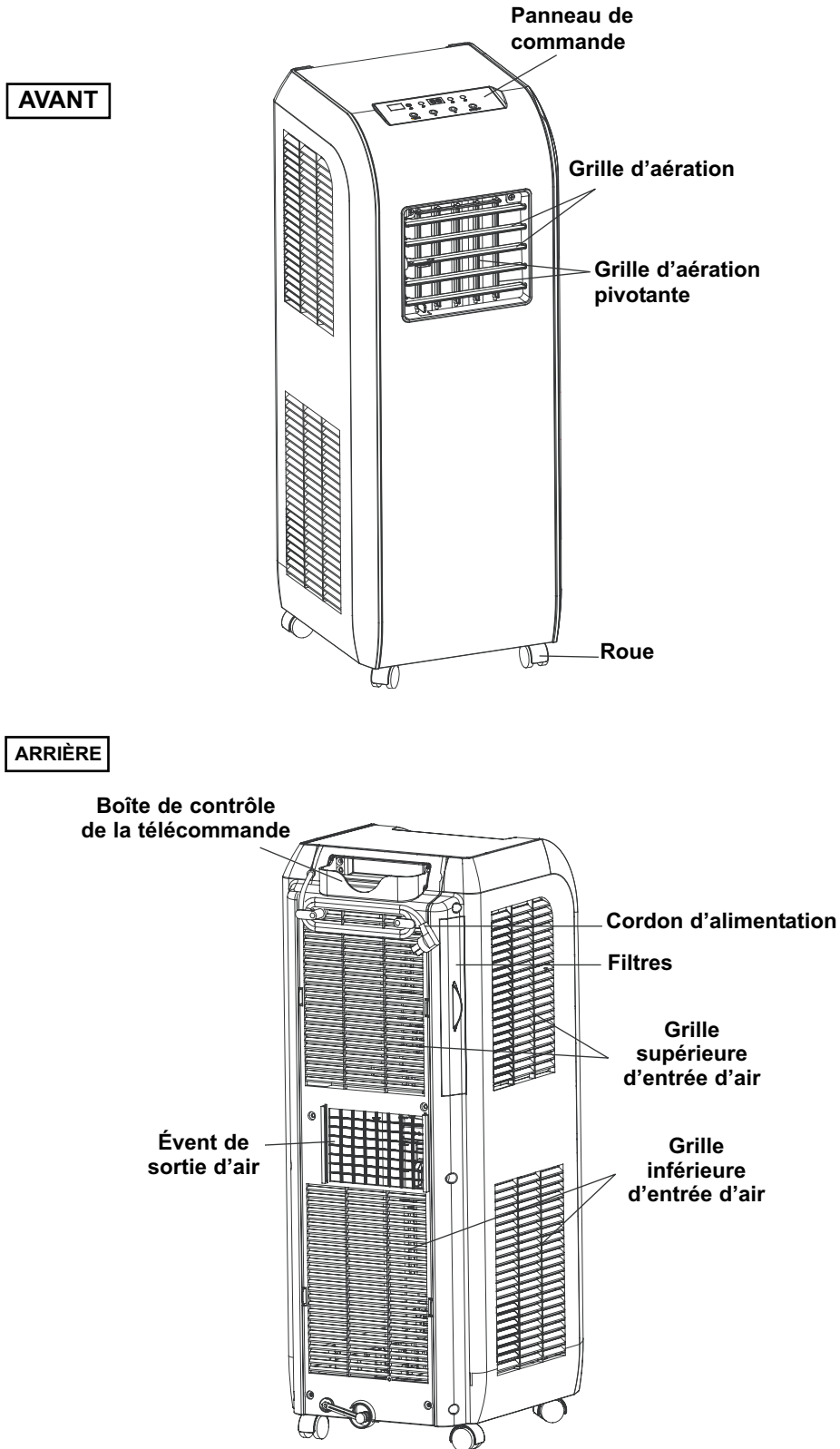


Consignes de sécurité important

LISEZ TOUTE L'INFORMATION DE SÉCURITÉ AVANT UTILISATION

POUR VOTRE SÉCURITÉ : Lisez ces instructions attentivement avant d'utiliser l'appareil et conservez-les afin de pouvoir vous y référer ultérieurement.

STRUCTURE





Consignes d'utilisation

MÉTHODES DE FONCTIONNEMENT

Application des gammes de température pour le REFROIDISSEMENT et la DÉSHUMIDIFICATION.

La gamme de température de cet appareil va de 16 °C à 35 °C (60,8 °F à 95 °F) pour le refroidissement et de 16 °C à 35 °C (60,8 °F à 95 °F) pour la déshumidification.

Emplacement

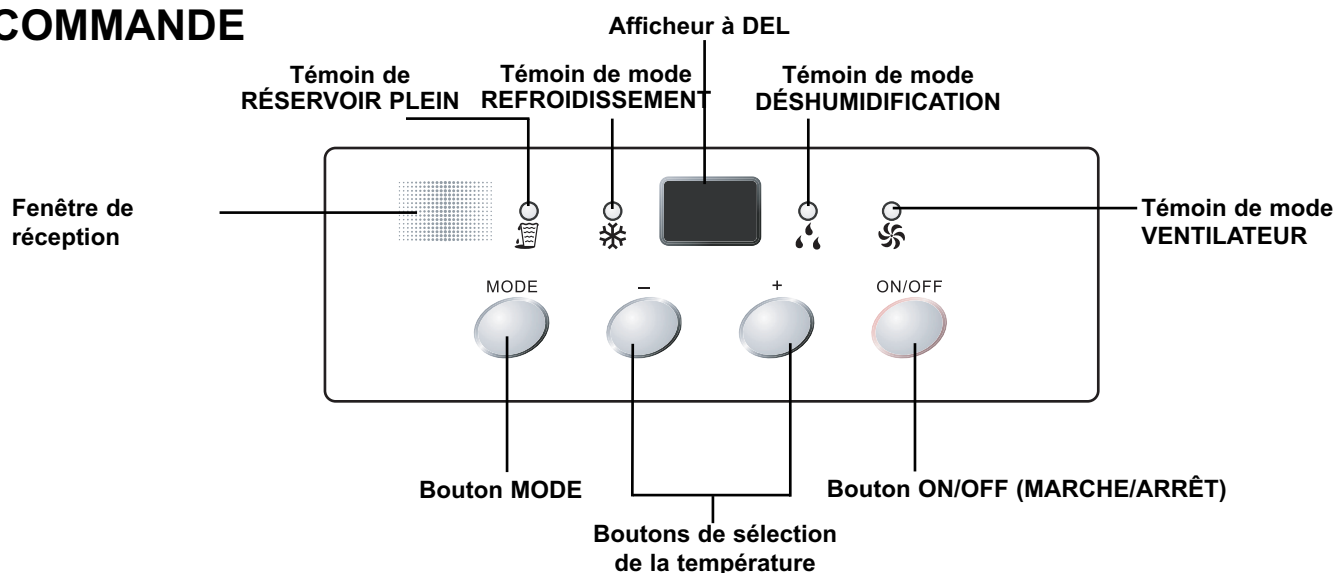
Posez l'appareil sur un sol horizontal lors de l'utilisation, et maintenez une distance de 50 cm entre l'appareil et les murs, les surfaces, les objets inflammables et les autres obstructions.

Alimentation (Vérifiez avant de brancher l'alimentation)

La fluctuation normale de tension de cet appareil en marche est de ± 10 par rapport à la valeur indiquée sur la plaque signalétique. Une tension trop élevée ou trop basse causera des dommages à l'appareil. Il est préférable d'adopter un câble et une intensité minimale supérieure à 10 ampères pour éviter une chute de tension soudaine lorsque l'appareil fonctionne. Il est nécessaire d'échanger un cordon d'alimentation brisé contre un cordon d'alimentation de qualité particulière.

Lorsqu'il faut remplacer le cordon d'alimentation ou le réparer, veuillez communiquer avec le vendeur et lui demander de le faire réparer par un professionnel. La mise à la terre doit être effectuée et l'appareil doit être branché à un équipement de mise à la terre spécial dans l'immeuble afin de s'assurer qu'il est mis à la terre correctement.

PANNEAU DE COMMANDE



Lorsque vous appuyez sur une touche ou un bouton valide, un bip sonore est émis pour indiquer que l'on a appuyé sur un bouton, et un témoin lumineux correspondant au bouton s'allume.

1. ON/OFF

Pour allumer ou éteindre l'appareil (appuyez une fois sur le bouton pour allumer l'appareil et une deuxième fois pour l'éteindre).

2. Touches « + », « - »

En mode REFROIDISSEMENT, appuyez une fois sur « - » et la température réglée diminue de 1 (1 °C); appuyez une fois sur « + » et la température réglée augmente de 1 (1 °C). La température réglée peut se situer entre 16 °C et 30 °C (61 °F à 86 °F).

3. MODE

Pendant que l'appareil fonctionne, appuyez sur la touche pour accéder au menu Mode. Modes VENTILATEUR, REFROIDISSEMENT ou

DÉSHUMIDIFICATION.

4. Vitesse du ventilateur

En mode VENTILATEUR ou REFROIDISSEMENT, le climatiseur peut sélectionner l'une de 3 vitesses. La vitesse initiale est Élevée en mode DÉSHUMIDIFICATION et Basse en mode VENTILATEUR.

5. Mode Déshumidification

Lorsque l'appareil fonctionne en mode Déshumidification, il réduit l'humidité dans la pièce.

6. Mode Refroidissement

Lorsque l'appareil fonctionne en mode Refroidissement, il baisse la température de la pièce.

7. Réservoir plein

Lorsque ce bouton clignote, le réservoir est plein d'eau et doit être vidé.



Consignes d'utilisation

TEMPÉRATURE DE L'ENVIRONNEMENT

La température de l'environnement de cet appareil (plage de l'appareil) se situe entre 16 °C et 35 °C (60,8 °F à 95 °F).

DÉLAI DE PROTECTION DU COMPRESSEUR

Lorsque l'appareil est allumé pour la première fois, il faut attendre 2 à 5 minutes pour que le compresseur se mette en marche. En cas d'interruption de l'alimentation pendant que l'appareil fonctionne, un délai de 2 à 5 minutes est également possible.

MODE REFROIDISSEMENT

1. Installez solidement le conduit de sortie de la chaleur; choisissez un emplacement proche d'une porte ou d'une fenêtre, raccordez le conduit de sortie de la chaleur à l'extérieur et n'oubliez pas de laisser un évent de retour d'air dans la fenêtre ou la porte pour s'assurer que l'air intérieur revient à la normale.
2. Après avoir appuyé sur le bouton ON/OFF pour allumer l'appareil, appuyez sur MODE pour sélectionner le mode Refroidissement; le témoin indicateur du mode Refroidissement s'allume et l'appareil fonctionne en mode Refroidissement.
3. Appuyez sur SPEED pour sélectionner la vitesse du ventilateur (élevée, moyenne ou basse).
4. Allumez l'appareil d'abord (pour la première fois). Assurez-vous que l'appareil fonctionne en mode Refroidissement; le ventilateur fonctionne initialement à vitesse élevée.

REMARQUE :

En mode Refroidissement, pour augmenter l'effet de refroidissement, veuillez suivre les conseils suivants :

- Tirez les rideaux pour que la lumière du soleil ne pénètre pas dans la pièce à refroidir.
- Ne mettez pas en marche d'autres sources de chaleur dans la pièce.

MODE DÉSHUMIDIFICATION

Pour obtenir des résultats optimaux, fermez les portes et les fenêtres. Appuyez sur ON/OFF pour allumer l'appareil, puis sur MODE, puis sélectionnez DÉSHUMIDIFICATION. Les témoins de refroidissement et de déshumidification d'allume, et l'appareil fonctionne en mode Déshumidification.

REMARQUE :

En mode Déshumidification, le moteur du ventilateur fonctionne à basse vitesse et le compresseur et le moteur du ventilateur externe fonctionnent sans arrêt. La température réglée ne sera ni affichée, ni réglable. Il n'est pas nécessaire d'installer le conduit de sortie.

VENTILATEUR

Appuyez sur ON/OFF pour allumer l'appareil et sélectionnez la vitesse du ventilateur. Le moteur du ventilateur interne peut fonctionner à 3 vitesses (élevée, moyenne ou basse); la température réglée ne sera ni affichée, ni réglable. Le symbole Élevé, Moyen ou Bas s'affiche dans l'afficheur, selon la vitesse sélectionnée pour le ventilateur interne.



Fonctionnement de la télécommande sans fil

FONCTIONS DE LA TÉLÉCOMMANDE

Noms et fonctions de la télécommande

REMARQUE : Assurez-vous qu'il n'y a aucune obstruction entre le récepteur et la télécommande. Ne laissez pas tomber la télécommande et ne la lancez pas. La télécommande ne doit pas être mouillée. Ne laissez pas la télécommande sous la lumière directe du soleil ou à un endroit très chaud.



Télécommande

ON/OFF

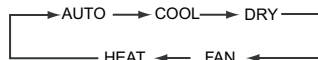
Bouton ON/OFF (MARCHE/ARRÊT)

- Appuyez une fois sur ce bouton pour allumer l'appareil et appuyez dessus à nouveau pour l'éteindre. Lorsque vous allumez ou éteignez l'appareil, la fonction de Veille est annulée, mais l'heure pré-réglée reste.

MODE

Bouton MODE

- Appuyez sur ce bouton pour sélectionner le mode Auto, Refroidissement, Déshumidification et Chauffage. Le mode Auto est le mode par défaut lorsque l'appareil est allumé. En mode Auto, la température ne s'affiche pas. En mode Chauffage, la valeur initiale est 28 °C (82 °F) et dans les autres modes, la valeur initiale est 25 °C (77 °F).



- AUTO ◀
- COOL ◀
- DRY ◀
- FAN ◀
- HEAT ◀ Sur certains modèles seulement (facultatif)

SLEEP

Bouton SLEEP (VEILLE)

- Appuyez sur ce bouton pour activer ou désactiver la fonction Veille. Lorsque l'appareil est allumé, la fonction Veille désactivée est le réglage par défaut. Lorsque l'appareil est éteint, la fonction Veille est annulée. Lorsque la fonction Veille est activée, le symbole de Veille s'affiche. Dans ce mode, la minuterie peut être réglée. Cette fonction n'est pas disponible en mode Ventilateur ou Auto.

FAN

Bouton FAN (VENTILATEUR)

- En appuyant sur ce bouton, vous pouvez sélectionner AUTO, FAN 1, FAN 2, FAN 3 ou FAN 4 ou passer de l'un à l'autre en séquence. FAN 4 n'est disponible qu'en mode Refroidissement. Lorsque l'appareil est sous tension, AUTO est le réglage par défaut. Seule la basse vitesse peut être sélectionnée en mode DÉSHUMIDIFICATION; une pression sur cette touche ne fait que transmettre le signal, elle ne change pas la vitesse du ventilateur.



SWING

Bouton SWING (ROTATION)

- Appuyez sur cette touche pour activer ou désactiver la rotation. Le déplacement des grilles d'aération change la direction du courant d'air refroidi.



Fonctionnement de la télécommande sans fil

FONCTIONS DE LA TÉLÉCOMMANDE

Noms et fonctions de la télécommande

REMARQUE : Assurez-vous qu'il n'y a aucune obstruction entre le récepteur et la télécommande. Ne laissez pas tomber la télécommande et ne la lancez pas. La télécommande ne doit pas être mouillée. Ne laissez pas la télécommande sous la lumière directe du soleil ou à un endroit très chaud.



Télécommande

+

Bouton +

- Appuyez sur ce bouton pour augmenter la température. Appuyez sur ce bouton pour régler la température lorsque l'appareil est allumé. Maintenez ce bouton enfoncé pendant plus de 2 secondes pour changer les réglages rapidement. Lorsque le bouton est relâché, l'indicateur °C ou °F s'affiche. Lorsque l'appareil est en mode Auto, la température ne peut être ni réglée, ni changée. La gamme de température en degrés Celsius se situe entre 16 °C et 30 °C. La gamme de température en degrés Fahrenheit se situe entre 61 °F et 85 °F.

-

Bouton -

- Appuyez sur ce bouton pour baisser la température. En appuyant sur ce bouton, l'utilisateur peut régler la température à la valeur désirée. Maintenez ce bouton enfoncé pendant plus de 2 secondes pour changer les réglages rapidement. Lorsque le bouton est relâché, l'indicateur °C ou °F s'affiche. En mode Auto, la température ne peut pas être réglée; toutefois, il est possible de le faire en appuyant sur ce bouton.

TIMER

Bouton TIMER (MINUTEUR)

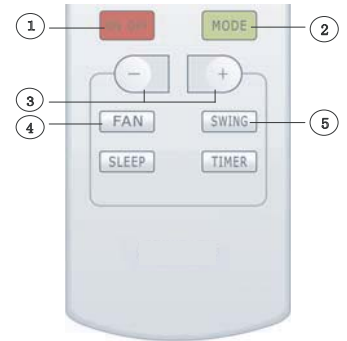
- En appuyant sur ce bouton lorsque l'appareil est éteint, vous pouvez régler l'heure de la mise en marche automatique (l'heure où l'appareil doit s'allumer). Les valeurs réglées peuvent se situer entre 0,5 et 24 heures. Les lettres « T-ON » et « H » clignoteront pendant 5 secondes. Pendant ces 5 secondes, vous pouvez appuyer sur cette touche pour achever la configuration. Si le réglage est valide, l'heure réglée s'affichera pendant 2 secondes avant l'affichage de la température réglée. Pendant le clignotement, vous pouvez appuyer sur la touche « + » pour augmenter la valeur ou sur « - » pour réduire la valeur. L'heure augmentera ou diminuera d'une demi-heure lors de chaque pression de ces touches. Si vous maintenez les touches « + » ou « - » enfoncées, l'heure changera rapidement. La télécommande peut augmenter l'heure réglée d'une demi-heure toutes les 0,25 secondes. Lorsque l'appareil est sous tension, la minuterie n'est pas réglée par défaut et les valeurs « T-ON » et « H » ne s'affichent pas. Appuyez sur ON/OFF pour mettre l'appareil en marche et annuler la fonction de mise en marche automatique. Lorsque l'affichage de la température redevient constant, vous pouvez appuyer à nouveau sur cette touche pour afficher la durée réglée restante. La durée, « T-ON » et « H » restent affichés pendant 2 secondes. Au bout de 2 secondes, la température pré-réglée s'affiche. Pendant ces 2 secondes, vous pouvez appuyer à nouveau sur cette touche pour annuler la mise en marche automatique. En appuyant sur cette touche pendant que la fonction de mise en marche automatique est activée, vous pouvez régler l'heure de l'arrêt automatique (l'heure à laquelle l'appareil doit s'éteindre). La marche à suivre est la même que pour la mise en marche automatique.



Fonctionnement de la télécommande sans fil

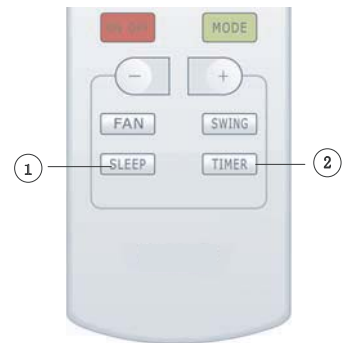
FONCTIONNEMENT GÉNÉRAL

1. Après que l'appareil est allumé (en appuyant sur le bouton ON/OFF), il commence à fonctionner. (Remarque : lorsqu'il est éteint, la grille d'aération de l'unité principale se ferme automatiquement.)
2. Appuyez sur le bouton MODE, sélectionnez le mode de fonctionnement désiré, ou appuyez sur le mode REFROIDISSEMENT ou CHAUFFAGE pour accéder directement à son fonctionnement.
3. Appuyez sur les boutons + ou - pour régler la température désirée. (Il est inutile de régler la température en mode AUTO.)
4. En appuyant sur le bouton FAN, vous pouvez régler la vitesse du ventilateur aux valeurs suivantes : AUTO, FAN 1, FAN 2, FAN 3 ou FAN 4.
5. Appuyez sur le bouton SWING pour sélectionner le mouvement de va-et-vient.




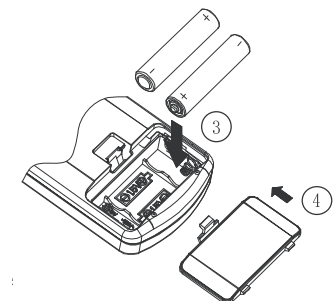
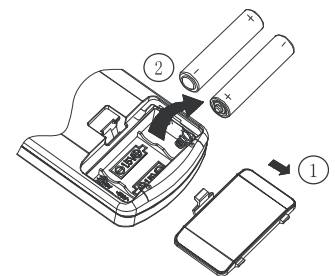
FONCTIONNEMENT FACULTATIF

1. Appuyez sur le bouton SLEEP pour régler la minuterie de veille.
2. Appuyez sur le bouton TIMER pour régler l'heure de mise en marche et l'heure d'arrêt de la minuterie.



CHANGEMENT DES PILES

1. Appuyez doucement  pour enlever le couvercle arrière de la télécommande.
2. Retirez les vieilles piles, tel qu'illustré.
3. Insérez deux piles sèches AAA 1,5 V, en surveillant la polarité (tel qu'illustré).
4. Remettez le couvercle arrière de la télécommande (tel qu'illustré).



REMARQUE :

- Lorsque vous changez les piles, n'utilisez pas de vieilles piles ou des piles différentes; cela pourrait faire en sorte que la télécommande ait un défaut de fonctionnement.
- Si la télécommande sans fil ne servira pas pendant une longue période, veuillez retirer les piles afin qu'il n'y ait aucune fuite de fluide pouvant endommager la télécommande.
- La télécommande doit être utilisée à l'intérieur de sa portée de réception.
- Elle doit être placée à au moins 1 m des téléviseurs ou des systèmes stéréophoniques.
- Si la télécommande sans fil ne fonctionne pas normalement, retirez les piles, attendez 30 secondes, puis réinsérez-les. Si la télécommande ne fonctionne toujours pas correctement, changez les piles.



MÉTHODE DE DRAINAGE

Lorsque l'appareil fonctionne en mode REFROIDISSEMENT ou DÉSHUMIDIFICATION, la condensation est drainée dans le réservoir d'eau. Lorsque le réservoir d'eau est plein, un bip sonore est émis 8 fois en guise d'avertissement. Lorsque le réservoir d'eau est plein, un témoin lumineux vert clignote sur le panneau, « H8 » s'affiche sur l'afficheur et l'appareil cesse de fonctionner. Raccordez le tuyau de drainage et retirez-le de l'agrafe, puis videz l'eau du réservoir. Après cela, mettez le bouchon de drainage sur le tuyau pour éviter toute fuite de la condensation, et agrafez le tuyau de drainage sur l'agrafe, tel qu'illustré. L'appareil recommence à fonctionner lorsque le réservoir est vide; le compresseur s'arrête alors pendant 3 minutes.

INSTALLATION DU TUYAU DE DRAINAGE

Remarque : Le tuyau de drainage doit être installé avant d'utiliser l'appareil; autrement, il est possible que le drain devienne bloqué, ce qui pourrait nuire au fonctionnement normal de l'appareil.

Accessoires fournis :



Tuyau de drainage



Bride de serrage



Anneau pour le tuyau



Bouchon en caoutchouc

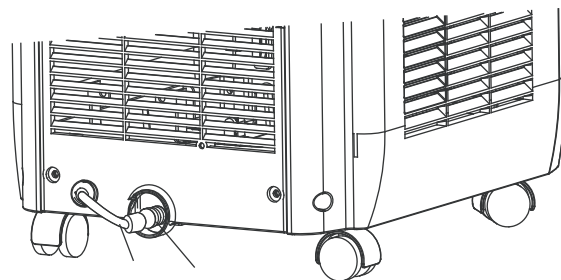


Vis

• Installation du tuyau de drainage :

1. Enlevez le bouchon de drainage de l'orifice de drainage.

Bouchon de drainage

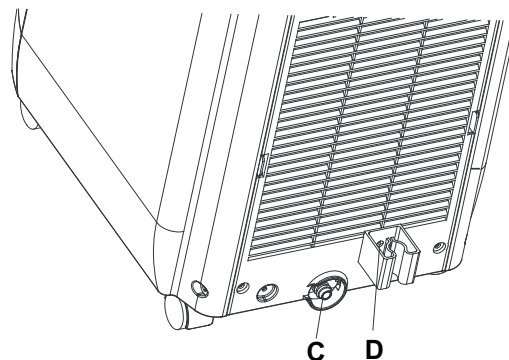


C. Orifice de drainage
D. Bouchon de drainage

2. Fixez une extrémité du tuyau de drainage à l'orifice de drainage au moyen de la bride de serrage. Voir l'illustration représentant le tuyau de drainage.
3. Insérez le bouchon de drainage dans l'autre extrémité du tuyau de drainage, et fixez-le au moyen de la bride de serrage. Voir l'illustration représentant le tuyau de drainage.
4. Fixez le tuyau de drainage au panneau arrière du climatiseur, près de l'orifice de drainage, au moyen de la vis fournie.

INSTALLATION DU TUYAU DE DRAINAGE

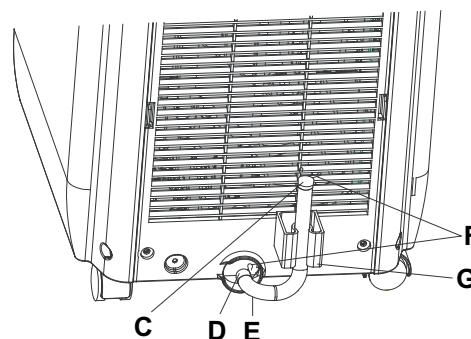
Agrafe du tuyau de drainage



- C.** Orifice de drainage
D. Fixez l'agrafe du tuyau de drainage au moyen de la vis fournie.

5. Enclenchez l'extrémité libre du tuyau de drainage dans l'agrafe.

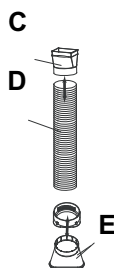
Tuyau de drainage



- C.** Tuyau de drainage
D. Orifice de drainage
E. Bouchon de drainage
F. Brides de serrage
G. Agrafe du tuyau de drainage

INSTALLATION DU TUYAU DE SORTIE ET DE L'ADAPTATEUR

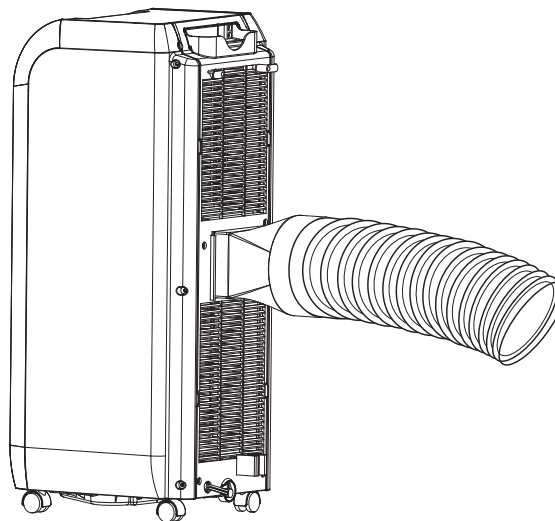
1. Faites rouler le climatiseur jusqu'à l'emplacement désiré. Voir « Exigences relatives à l'emplacement ».
2. Insérez une extrémité du tuyau de sortie flexible dans l'adaptateur de sortie.
3. Faites-la tourner dans le sens des aiguilles d'une montre pour verrouiller le tuyau en place.
4. Insérez l'autre extrémité du tuyau de sortie flexible dans l'adaptateur de sortie de la fenêtre.
5. Faites-la tourner dans le sens des aiguilles d'une montre pour verrouiller le tuyau en place.



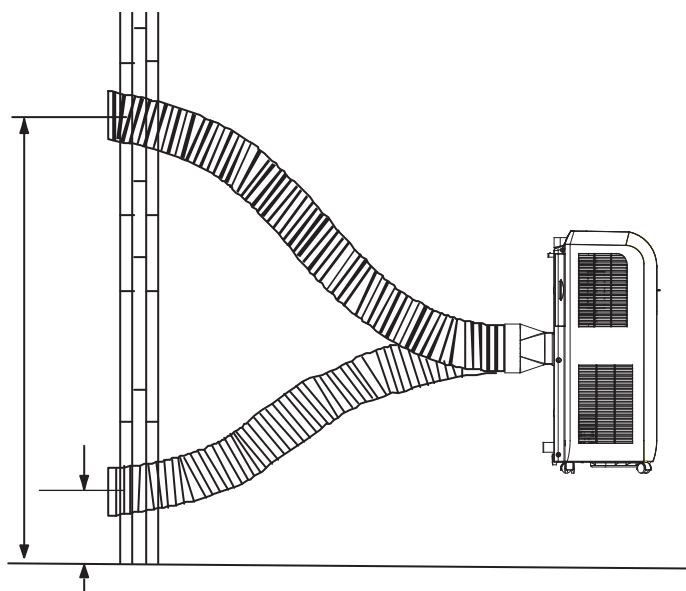
- C.** Adaptateur de sortie de la fenêtre
D. Tuyau flexible de sortie
E. Adaptateur de sortie

INSTALLATION DU TUYAU FLEXIBLE DE SORTIE

- Le tuyau de sortie doit avoir une longueur se situant entre 500 mm et 1 500 mm. L'utilisation du tuyau le plus court possible est recommandée.
- Lors de l'installation, le tuyau de sortie doit être aussi plat que possible. Ne prolongez pas le tuyau et ne le raccordez pas à d'autres tuyaux de sortie.



Installation correcte illustrée (voir l'illustration). (Lors de l'installation murale, les tuyaux doivent se situer à environ 40 cm à 130 cm du sol.)

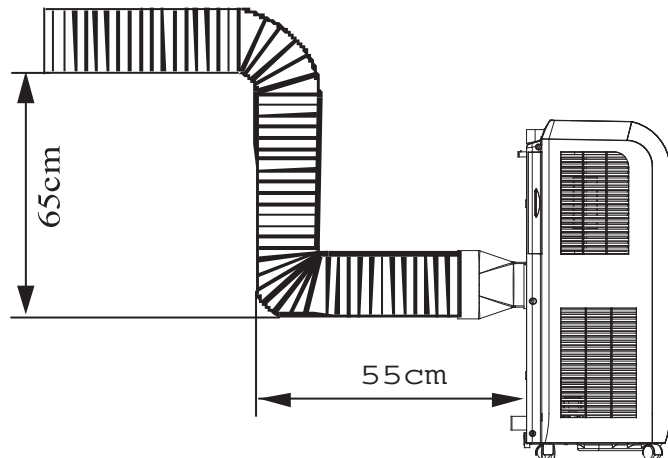
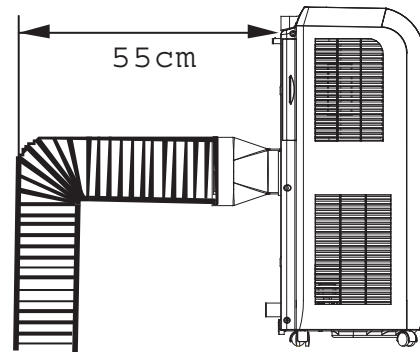




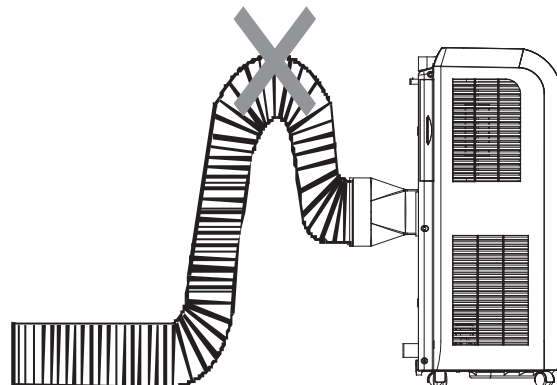
Installation

INSTALLATION DU TUYAU FLEXIBLE DE SORTIE (suite)

Si le tuyau doit être coudé, suivez ces instructions d'installation :



Installation incorrecte illustrée (voir l'illustration). (Si le tuyau est trop coudé, un défaut de fonctionnement pourrait facilement se produire.)





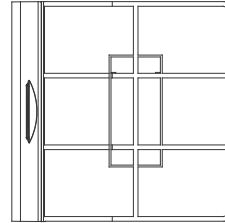
Soins et entretien

DÉPLACEMENT DE L'APPAREIL

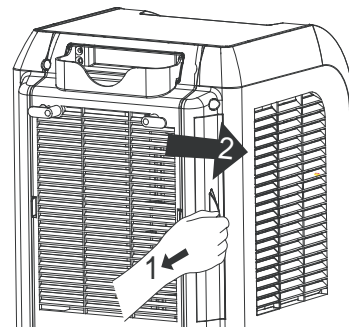
L'appareil est équipé de roulettes afin qu'il puisse être déplacé d'une pièce à l'autre commodément, selon les besoins. Débranchez l'appareil afin de le mettre hors tension avant de procéder à l'entretien.

NETTOYAGE DU FILTRE À AIR

Si la quantité de dépôts sur le filtre est excessive, la performance du climatiseur sera réduite; il est donc préférable de nettoyer le filtre au moins toutes les deux semaines (plus souvent si vous avez des animaux, en raison des poils).



- Retirez le filtre par l'une de ces 2 directions (voir ci-dessous).

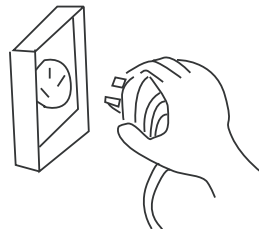


- Nettoyez les filtres individuellement; lavez-les dans l'eau tiède, sans détergents puissants.

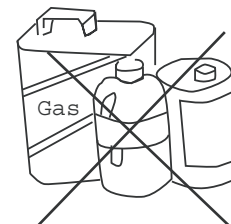
NETTOYAGE DE L'APPAREIL

Trempez un chiffon dans l'eau tiède (température inférieure à 40 °C [104 °F]) savonneuse ou contenant un produit de nettoyage approprié, et essuyez doucement la partie sale de l'appareil. N'utilisez pas d'essence, d'huile diesel ou de substances similaires pour nettoyer l'appareil. Débranchez l'appareil avant de le nettoyer.

Débranchez le cordon d'alimentation avant de nettoyer l'appareil



N'utilisez pas d'essence, d'huile diesel ou de substances similaires pour nettoyer l'appareil.



Dépannage

Il peut arriver qu'un problème mineur se produise qui ne nécessite pas d'appel de service. Consultez ce guide de dépannage pour trouver une solution possible. Si l'appareil continue de mal fonctionner, appelez un atelier de réparation autorisé ou le numéro sans frais de Danby, au **1-800-263-2629**, pour obtenir de l'assistance.

PROBLÈME	CAUSE POSSIBLE	SOLUTION
Le climatiseur ne se met pas en marche.	<ul style="list-style-type: none"> • Mauvaise alimentation. • Mauvaise fiche d'alimentation. • Défaut de fonctionnement de la fiche ou de la prise. • Fusible grillé. 	<ul style="list-style-type: none"> • Insérez bien la fiche dans la prise. • Remplacez la fiche ou la prise. • Appelez l'atelier de réparations.
L'afficheur ACL affiche l'heure, mais ne fonctionne pas.	<ul style="list-style-type: none"> • La fonction TIMER ON est-elle activée? 	<ul style="list-style-type: none"> • Annulez la fonction « SET TIMER » ou attendez que l'appareil se mette à fonctionner en mode « AUTO ».
Bien que l'appareil soit réglé en mode refroidissement, il n'émet pas d'air froid.	<ul style="list-style-type: none"> • La température de la pièce est inférieure à la température réglée. • L'évaporateur est recouvert de givre. 	<ul style="list-style-type: none"> • C'est un phénomène normal. • L'appareil fonctionne en mode dégivrage, il reprendra son fonctionnement normal lorsque le dégivrage sera terminé.
Bien que l'appareil soit réglé en mode déshumidification, il n'émet pas d'air froid.	<ul style="list-style-type: none"> • L'évaporateur est recouvert de givre. 	<ul style="list-style-type: none"> • L'appareil fonctionne en mode dégivrage, il reprendra son fonctionnement normal lorsque le dégivrage sera terminé.
L'afficheur ACL affiche E5	<ul style="list-style-type: none"> • Protection pour tension faible et courant. 	<ul style="list-style-type: none"> • Éteignez l'appareil et débranchez-le, puis rebranchez-le au bout de 10 minutes. Si ce même message apparaît toujours, veuillez appeler l'atelier de réparation.
L'afficheur ACL affiche H8	<ul style="list-style-type: none"> • Le réservoir d'eau est plein. 	<ul style="list-style-type: none"> • Videz le réservoir. • Si le défaut de fonctionnement persiste, veuillez appeler l'atelier de réparation.



Notes relatives à la sécurité

EMPLACEMENT

- N'installez pas l'appareil à un endroit où il est exposé à la lumière directe du soleil.
- L'appareil doit être situé à au moins 50 cm de tout article inflammable. Pour éviter les défauts de fonctionnement électriques, n'installez pas l'appareil et ne le faites pas fonctionner à un endroit où il est susceptible d'être mouillé.
- N'utilisez pas l'appareil aux endroits suivants :
*Près d'un foyer au gaz, d'un foyer ou d'une fournaise au mazout

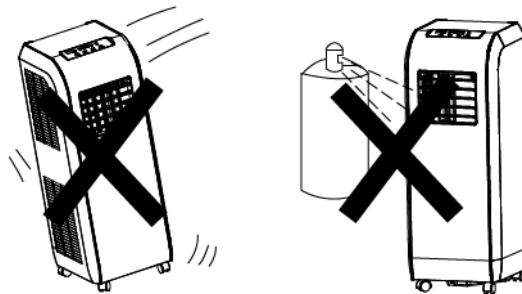
AUTRES

- Ne grimpez pas sur l'appareil et ne mettez pas quelque chose dessus : l'appareil pourrait tomber ou des défauts de fonctionnement pourraient apparaître.
- Ne laissez pas l'appareil souffler de l'air directement dans votre direction pendant de longues périodes (danger pour la santé).
- L'appareil doit être situé à au moins 1 m des téléviseurs pour éviter toute interférence électromagnétique.
- N'obstruez pas l'entrée d'air ou l'évent de sortie, car cela entraînera des défauts de fonctionnement.
- N'insérez ni votre doigt ni aucun autre objet dans l'évent de sortie; surveillez particulièrement les enfants pour éviter les accidents.
- Il est interdit d'incliner le climatiseur ou de le mettre face en bas. Débranchez immédiatement l'appareil en cas de circonstances anormales, et communiquez avec le revendeur autorisé afin de faire vérifier et réparer l'appareil.
- N'aspergez pas d'insecticide sur l'appareil, car cela entraînera des déformations ou des fissures.
- Si votre climatiseur a des problèmes relatifs à la qualité ou autres, veuillez communiquer avec votre revendeur local.

ÉLIMINATION

Plusieurs possibilités s'appliquent à l'élimination :

- a) La municipalité a mis en place un système de collecte, dans le cadre duquel les utilisateurs peuvent mettre au rebut les déchets électroniques gratuitement.
- b) Comme les vieux produits contiennent des ressources précieuses, ils peuvent être revendus à des commerçants en ferraille. L'élimination incontrôlée de déchets dans les forêts et les paysages met la santé en danger, lorsque des matières dangereuses s'écoulent dans l'eau souterraine et entrent dans la chaîne alimentaire.



ÉLIMINATION : Ne jetez pas ce produit dans les déchets municipaux non triés. La collecte séparée de tels déchets pour un traitement particulier est nécessaire.



GARANTIE LIMITÉE SUR APPAREIL ÉLECTROMÉNAGER À DOMICILE

Cet appareil de qualité est garanti exempt de tout vice de matière première et de fabrication, s'il est utilisé dans les conditions normales recommandées par le fabricant.

Cette garantie n'est offerte qu'à l'acheteur initial de l'appareil vendu par Danby Products Limited (Canada) ou Danby Products Inc. (E.-U. d'A) (ci-après "Danby") ou par l'un des ses distributeurs agréés et elle ne peut être transférée.

CONDITIONS

Les pièces en plastique sont garanties pour trente (30) jours seulement à partir de la date de l'achat, sans aucune prolongation prévue.

Première 12 mois Pendant les douze (12) mois, toutes pièces fonctionnelles de ce produit s'avèrent défectueuses, seront réparées ou remplacées, selon le choix du garant, sans frais à l'acheteur INITIAL.

Pour bénéficier du Service Le client sera responsable pour le transport et tous les frais d'expédition de tout appareil exigeant le service au dépôt de service autorisé le plus proche. S'adresser au détaillant qui a vendu l'appareil, ou à la station technique agréée de service la plus proche, où les réparations doivent être effectuées par un technicien qualifié. Si les réparations sont effectuées par quiconque autre que la station de service agréée ou à des fins commerciales, toutes les obligations de Danby en vertu de cette garantie seront annulées.

Limites de l'entretien à domicile Si l'appareil est installé à plus de 100 kilomètres (62 milles) du centre de service le plus proche, il doit être livré à l'atelier de réparation autorisé par Danby le plus proche, car l'entretien doit uniquement être réalisé par un technicien qualifié et certifié pour effectuer un entretien couvert par la garantie de Danby. Les frais de transport entre votre domicile et le lieu de l'entretien ne sont pas couverts par la présente garantie et doivent être acquittés par l'acheteur.

Cette garantie indique en aucun temps la responsabilité de Danby de l'avarie ou dommage de la vin ou autre contenu, soit par les vices de l'appareil, ou soit par l'utilisation convenable ou inexacte.

EXCLUSIONS

En vertu de la présente, il n'existe aucune autre garantie, condition ou représentation, qu'elle soit exprimée ou tacite, de façon manifeste ou intentionnelle, par Danby ou ses distributeurs agréés. De même, sont exclues toutes les autres garanties, conditions ou représentations, y compris les garanties, conditions ou représentations en vertu de toute loi régissant la vente de produits ou de toute autre législation ou règlement semblables.

En vertu de la présente, Danby ne peut être tenue responsable en cas de blessures corporelles ou des dégâts matériels, y compris à l'appareil, quelle qu'en soit les causes. Danby ne peut pas être tenue responsable des dommages indirects dus au fonctionnement défectueux de l'appareil. En achetant l'appareil, l'acheteur accepte de mettre à couvert et de dégager Danby de toute responsabilité en cas de réclamation pour toute blessure corporelle ou tout dégât matériel causé par cet appareil.

CONDITIONS GÉNÉRALES

La garantie ou assurance ci-dessus ne s'applique pas si les dégâts ou réparations sont dus aux cas suivants:

- 1) Panne de courant.
- 2) Dommages subis pendant le transport ou le déplacement de l'appareil.
- 3) Alimentation électrique incorrecte (tension faible, câblage défectueux, fusibles incorrects).
- 4) Accident, modification, emploi abusif ou incorrect de l'appareil tel qu'une circulation d'air inadéquate dans la pièce ou des conditions de fonctionnement anormales (température extrêmement élevée ou basse).
- 5) Utilisation dans un but commercial ou industriel (à savoir, si l'appareil n'est pas installé dans un domicile résidentiel).
- 6) Incendie, dommages causés par l'eau, vol, guerre, émeute, hostilités, cas de force majeure (ouragan, inondation, etc.).
- 7) Visites d'un technicien pour expliquer le fonctionnement de l'appareil au propriétaire.
- 8) Installation inappropriée (par exemple, encastrement d'un appareil autoportant, ou utilisation extérieure d'un appareil non conçu à cet effet).

Une preuve d'achat doit être présentée pour toute demande de réparation sous garantie. Prière de garder le reçu. Pour faire honorer la garantie, présenter ce document à la station technique agréée ou s'adresser à:

Service sous-garantie
Service au domicile

Danby Products Limited
PO Box 1778, Guelph, Ontario, Canada N1H 6Z9
Telephone: (519) 837-0920 FAX: (519) 837-0449

1-800-263-2629

Danby Products Inc.
PO Box 669, Findlay, Ohio, U.S.A. 45840
Telephone: (419) 425-8627 FAX: (419) 425-8629



PORTABLE AIR CONDITIONER

The model number can be found on the serial plate located on the back panel of the unit.

All repair parts are available for purchase or special order when you visit your nearest service depot. To request service and/or the location of the service depot nearest you, call the TOLL FREE NUMBER.

When requesting service or ordering parts, always provide the following information:

- **Product Type**
- **Model Number**
- **Part Number**
- **Part Description**

CLIMATISEUR PORTATIF

Le numéro de modèle se trouve sur la plaque d'information sur le panneau arrière de l'appareil.

Toutes les pièces de rechange ou commandes spéciales sont disponibles à votre centre de service régional autorisé. Pour obtenir le service et/ou la localité de votre centre de service régional, signalez le NUMÉRO D'APPEL SANS FRAIS.

Ayez les renseignements suivants à la portée de la main lors de la commande de pièce ou service:

- **Type de produit**
- **Numéro de modèle**
- **Numéro de pièce**
- **Description de la pièce**



Model • Modèle
DPAC8011S