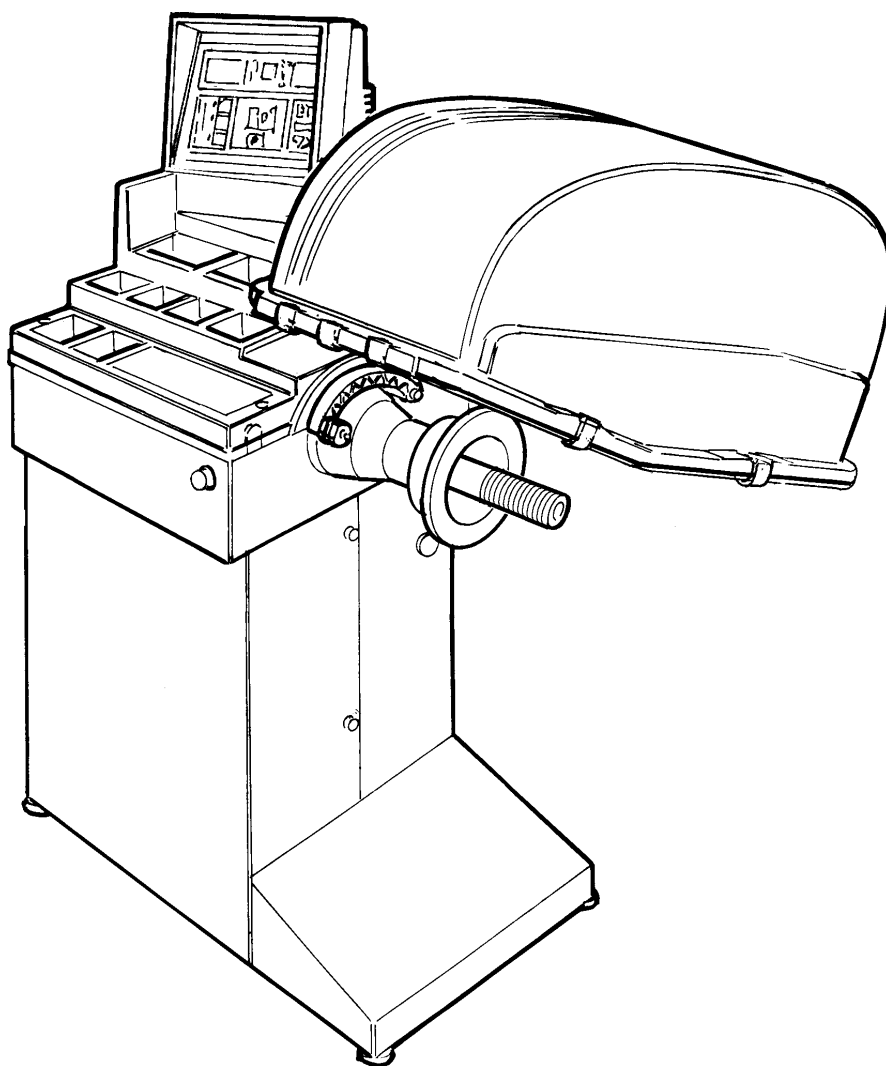


Questo libretto non autorizza l'utente ad intervenire sulle macchine ad esclusione di quanto esplicitamente descritto nel Manuale d'uso, ma consente all'utente di fornire informazioni precise all'Assistenza tecnica, al fine di ridurre i tempi di intervento.

# A704

The "Spare parts" booklet does not authorize the user to carry out work on the machine unless expressly specified in the instruction manual, but does enable him to provide accurate information to the assistance service in order to reduce downtime.

## PEZZI DI RICAMBIO SPARE PARTS LIST ERSATZTEILLISTE PIECES DE RECHANGE



In produzione da  
Production from  
Herstellung ab  
Production

**10 / 02**

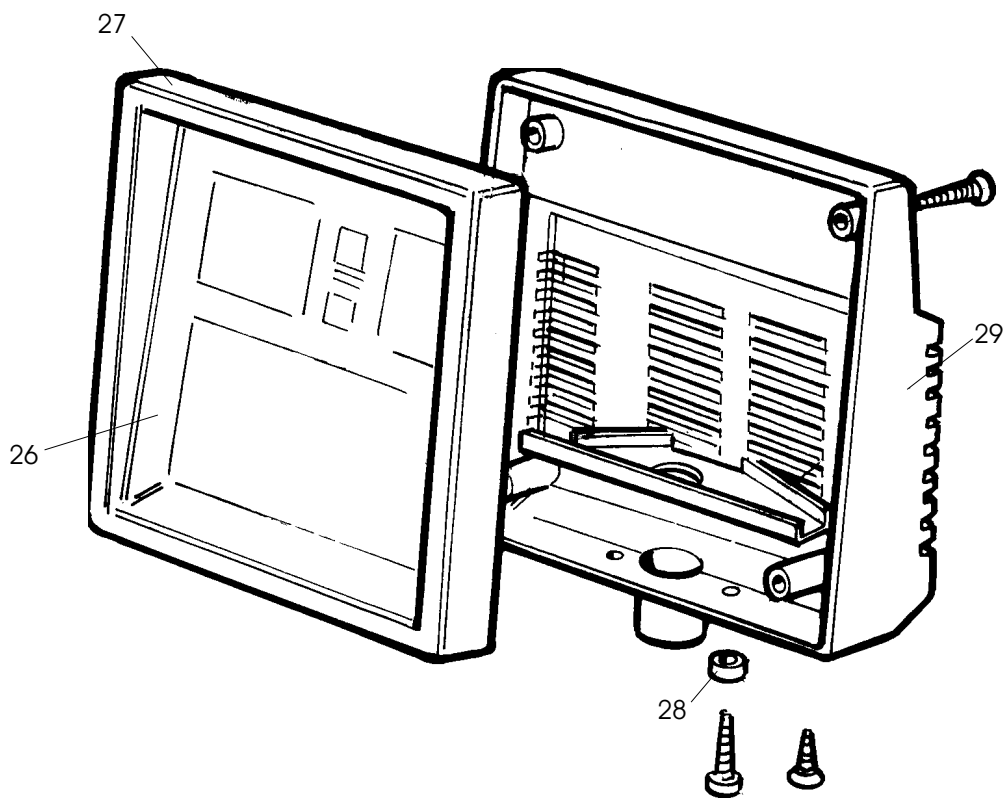
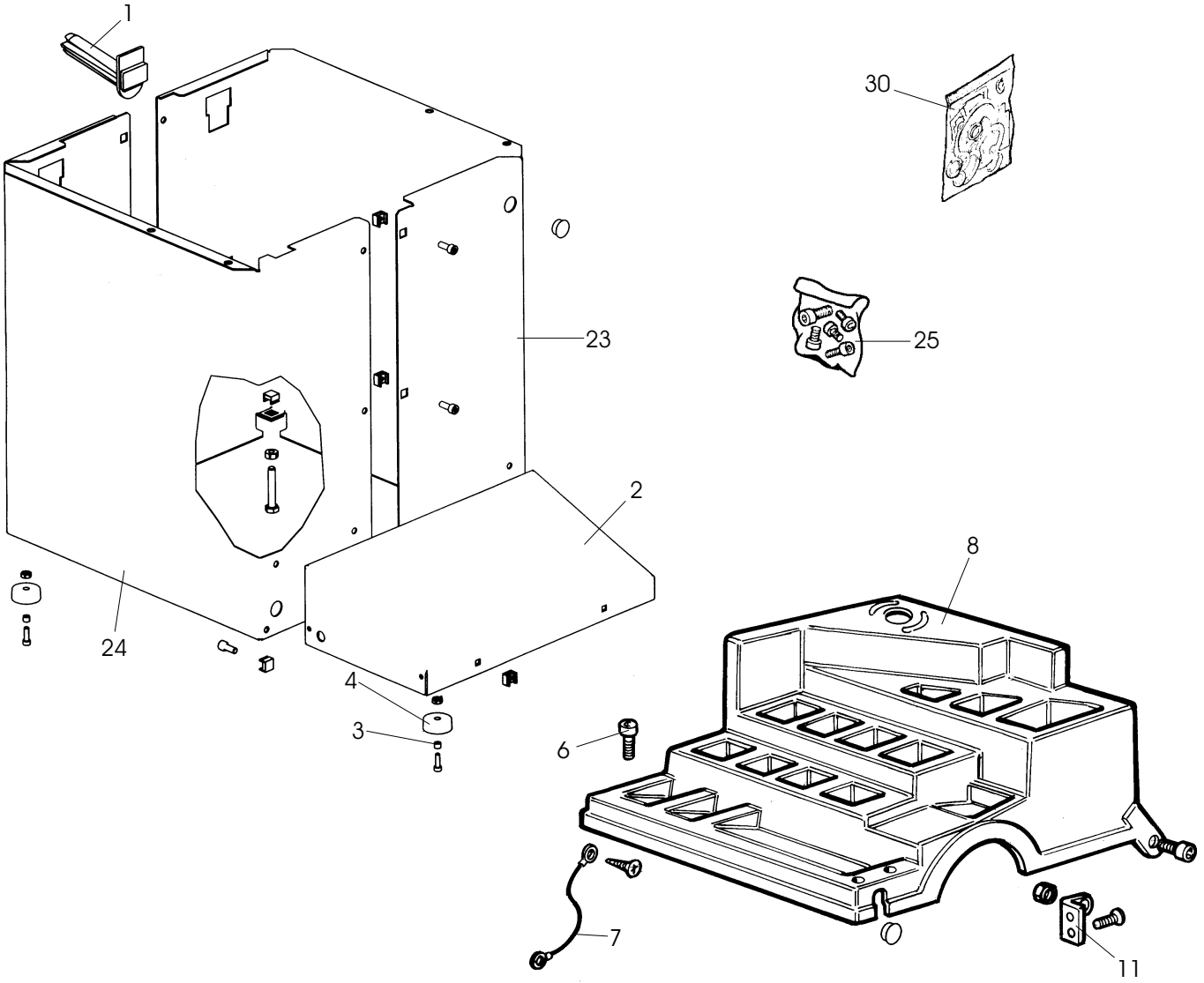
Versione


**1.0**

Der Katalog Ersatzteile stellt keine Genehmigung zu eigenmächtigen Eingriffen dar (mit Ausnahme jener im Handbuch beschriebenen), sondern er soll den Anwender in die Lage versetzen, dem technischen Service präzise Informationen zu liefern, um die Reparaturzeiten zu verkürzen.

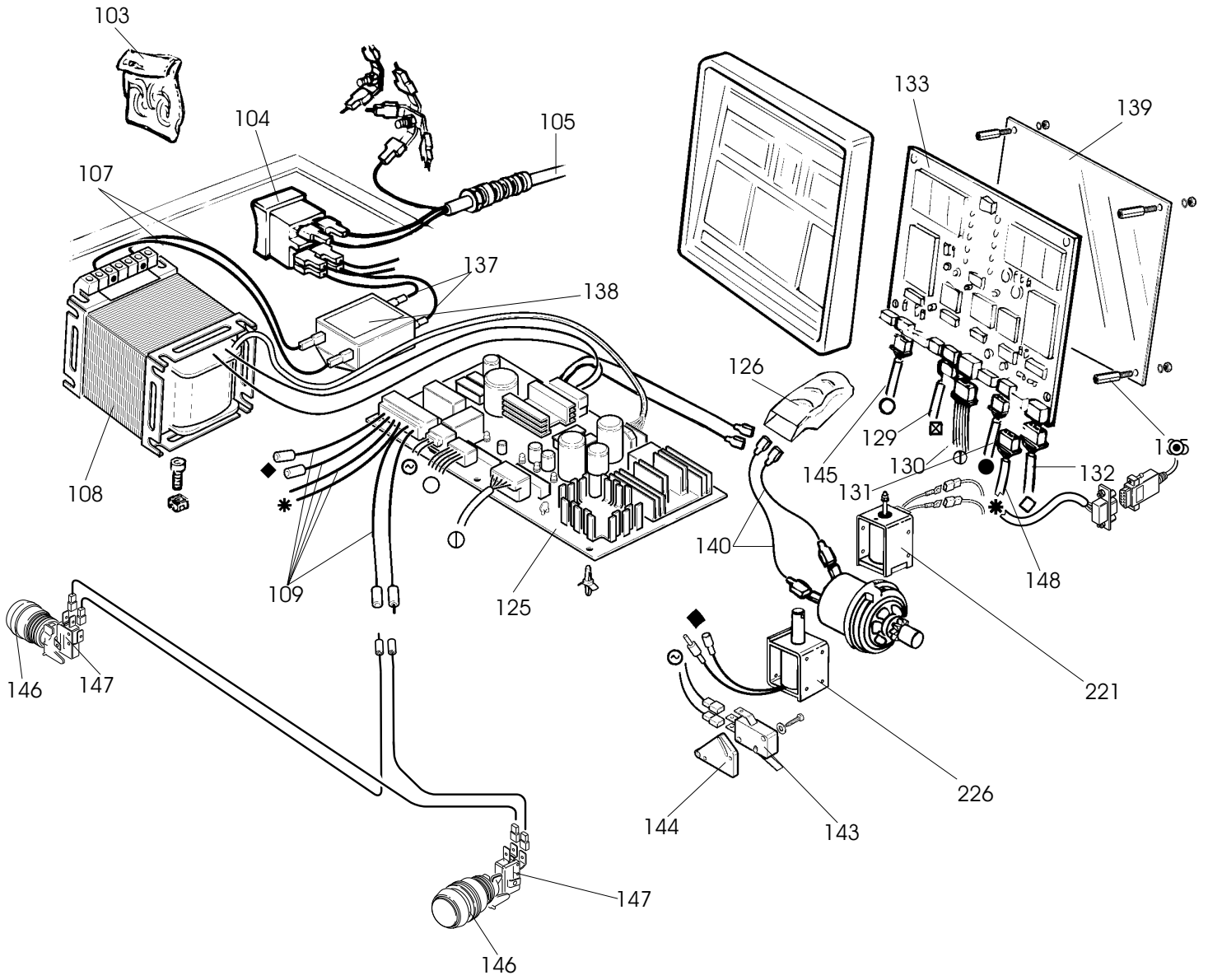


Le livret "Pièces de rechange", n'autorise pas l'utilisateur à intervenir sur les machines, sauf pour tout ce qui est clairement décrit dans le manuel d'utilisation, mais lui permet de fournir des informations précises à l'assistance technique, afin de diminuer les délais d'intervention.

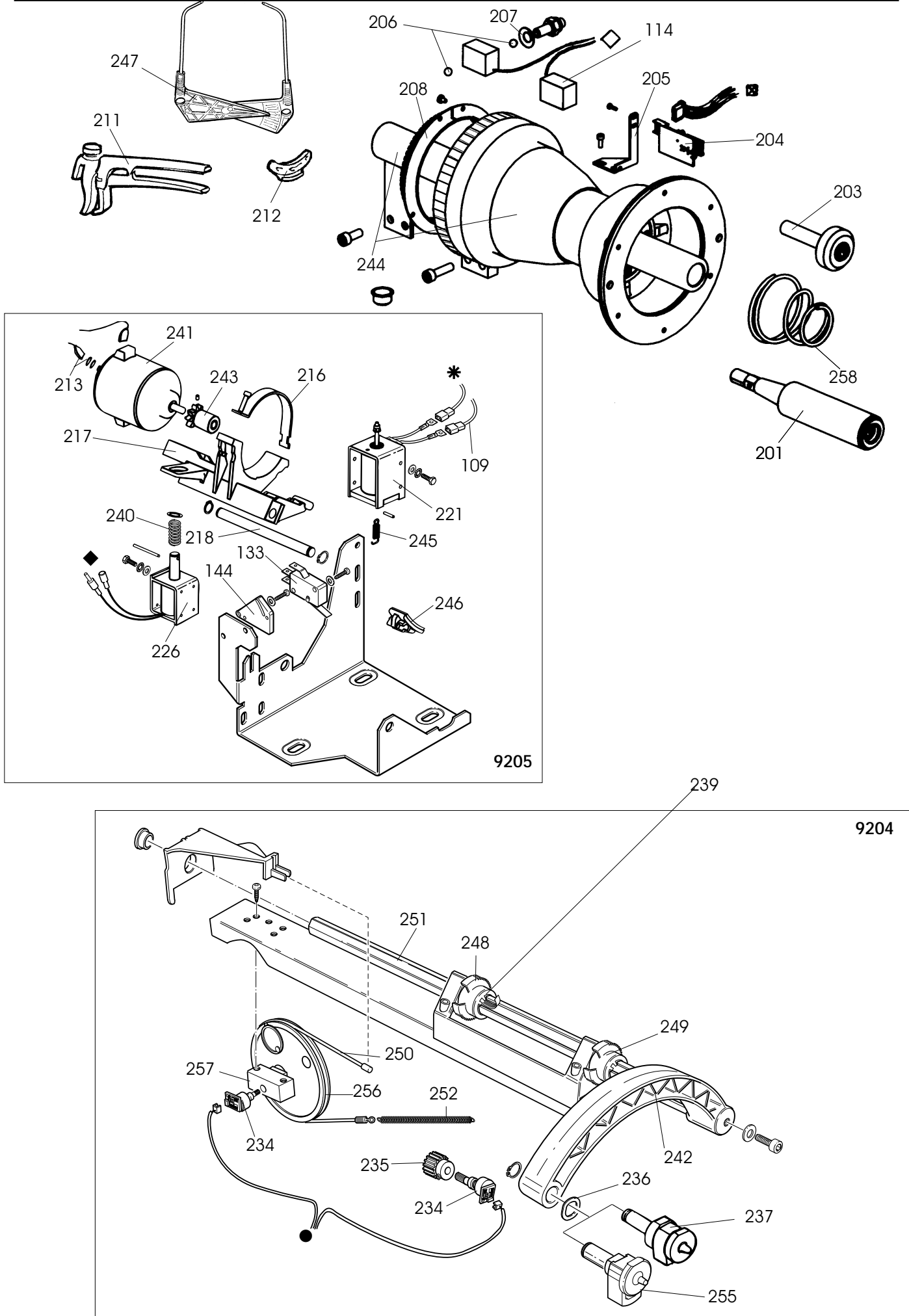


	A704	Fig. A	10 / 02	Comlessivo
--	------	--------	---------	------------

0001	900438319	SUPPORTO	SUPPORT	LAGER	SUPPORT
0002	900349311	PIEDE	FOOT	FUSS	PIED
0003	900344039	DISTANZIALE	SPACER	ABSTANDSSTUECK	ENTRETOISE
0004	900427291	PIEDE	FOOT	FUSS	PIED
0006	900339012	VITE	SCREW	SCHRAUBE	VIS
0007	900449840	FASCETTA	STRAP	SCHLAUCHSCHELLE	COLLIER
0008	900438261	COPERCHIO	LID	DECKEL	COUVERCLE
0011	900338729	SUPPORTO DX	SUPPORT DX	LAGER DX	SUPPORT DX
0011	900338716	SUPPORTO SX	SUPPORT SX	LAGER SX	SUPPORT SX
0023	900349308	COFANO post.	Rear HOOD	HAUBE	COFFRE
0024	900349307	COFANO ant.	Front HOOD	HAUBE	COFFRE
0025	900249083	Kit fissaggio COFANO	HOOD fixing kit	HAUBE befestigung kit	Kit fixation COFFRE
0026	900449841	TARGHETTA	DATA PLATE	TYPENSCHILD	PLAQUETTE
0027	900438262	FRONTALE	FRONT PANEL	STIRNBAND	FRONTAL
0028	900438353	RONDELLA	WASHER	UNTERLEGSCHIEBE	RONDELLE
0029	900438263	COPERCHIO	LID	DECKEL	COUVERCLE
0030	900249922	KIT TRASFORMAZ.	TRANSFORM. KIT	VERWANDLUNGSATZ	KIT TRANSFORMATION



0103	900218079	SACCHETTO 3.15A	BAG 3.15A	BEUTEL 3.15A	SACHET 3.15A
0103	950229690	SACCHETTO 0.5A	BAG 0.5A	BEUTEL 0.5A	SACHET 0.5A
0103	950232942	SACCHETTO 3.15A T	BAG 3.15A T	BEUTEL 3.15A T	SACHET 3.15A T
0103	900254977	SACCHETTO T20A	BAG T20A	BEUTEL T20A	SACHET T20A
0104	950433848	INTERRUTTORE	SWITCH	SCHALTER	INTERRUPTEUR
0105	900235392	CAVO	CABLE	KABEL	CABLE
0106	900241450	CAVO 220V	CABLE 220V	KABEL 220V	CABLE 220V
0106	900241674	CAVO 110V	CABLE 110V	KABEL 110V	CABLE 110V
0107	900250323	CAVO	CABLE	KABEL	CABLE
0108	900238727	TRASFORMATORE 100/115/230V.		TRANSFORMATOR 100/115/230V.	
0108	900457961	TRASFORMATORE 100/200V.		TRANSFORMATOR 100/200 V.	
0109	900249314	CAVO	CABLE	KABEL	CABLE
0122	900452044	RESISTENZA	RESISTANCE	WIDERSTAND	RESISTANCE
0125	900454218	SCHEDA ELETTR.	P.C. BOARD	ELEKTR. PLATINE	FICHE ELECTR.
0126	900454272	FILTRO RC	RC FILTER	FILTER RC	FILTRE RC
0127	900453434	MICROINTERRUTT.	MICROSWITCH	MIKROSCHALTER	MICROINTERRUPTEUR
0129	900449319	CAVO FLAT	FLAT CABLE	FLACHER KABEL	CABLE FLAT
0130	900238726	CAVO	CABLE	KABEL	CABLE
0131	900449320	CAVO FLAT	FLAT CABLE	FLACHER KABEL	CABLE FLAT
0132	900239586	CAVO	CABLE	KABEL	CABLE
0133	900254453	SCHEDA ELETTR.	P.C. BOARD	ELEKTR. PLATINE	FICHE ELECTR.
0133	900254454	SK ELETTR. "no split"	P.C. B. "no split"	ELEKTR. PLATINE "no split"	FICHE ELECTR. "no split"
0135	900449005	COLONNETTA	STUD	SCHRAUBENBOLZEN	COLONNETTE
0137	900455684	CAVO	CABLE	KABEL	CABLE
0138	900448914	FILTRO	FILTER	FILTER	FILTRE
0139	900355724	PROTEZIONE	SHIELD	ABDECKUNG	PROTECTION
0140	900454657	CAVO	CABLE	KABEL	CABLE
0140	900454508	CAVO	CABLE	KABEL	CABLE
0141	900454121	CAVO	CABLE	KABEL	CABLE
0143	900443611	MICROINTERR.	MICROSWITCH	MIKROSCHALTER	MICROINTERRUPTEUR
0144	900435898	SUPPORTO	SUPPORT	LAGER	SUPPORT
0145	900453018	CAVO FLAT	FLAT CABLE	FLACHER KABEL	CABLE FLAT
0146	900454407	PULSANTE	BUTTON	DRUCKKNOPF	BOUTON
0147	900454405	MICROINTERR.	MICROSWITCH	MIKROSCHALTER	MICROINTERRUPTEUR
0148	900457054	CAVO	CABLE	KABEL	CABLE
0221	900249670	ELETTROMAGNETE	ELECTOMAGNET	ELEKTROMAGNET	ELECTRO-AIMANT
0226	900250171	ELETTROMAGNETE	ELECTOMAGNET	ELEKTROMAGNET	ELECTRO-AIMANT

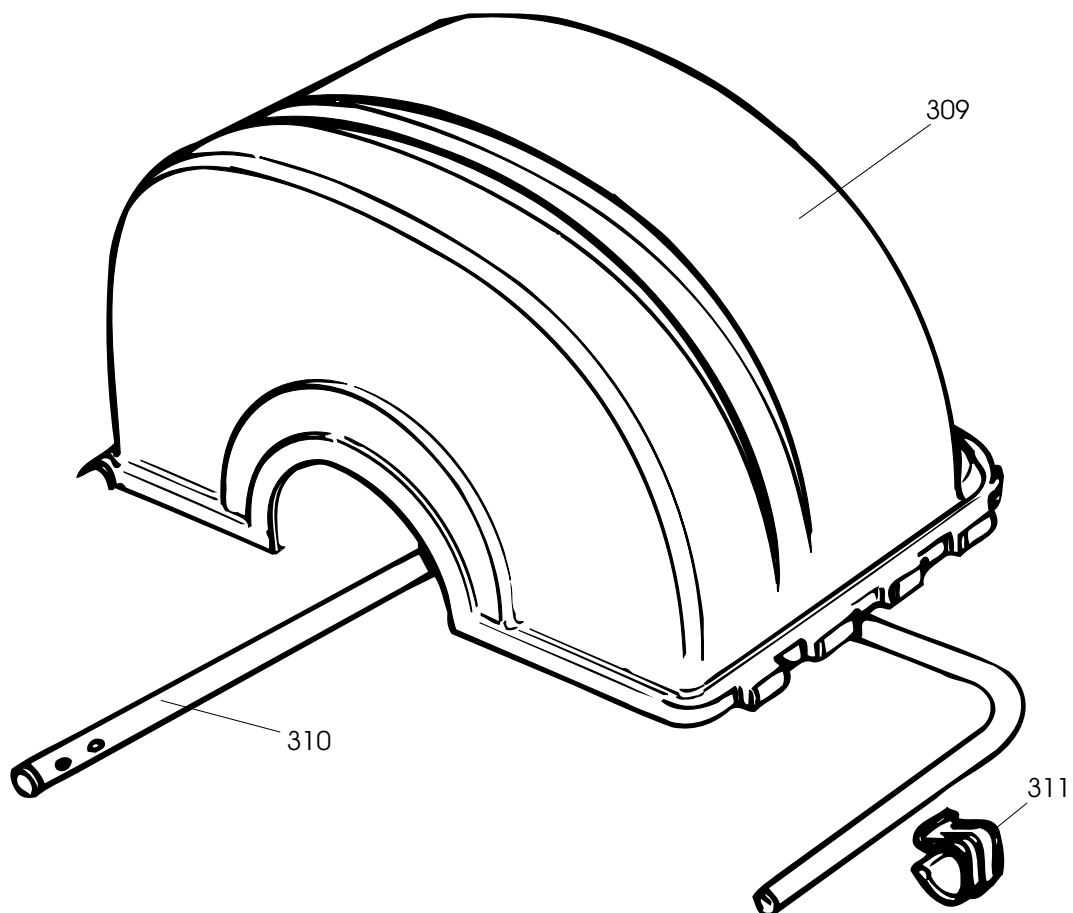
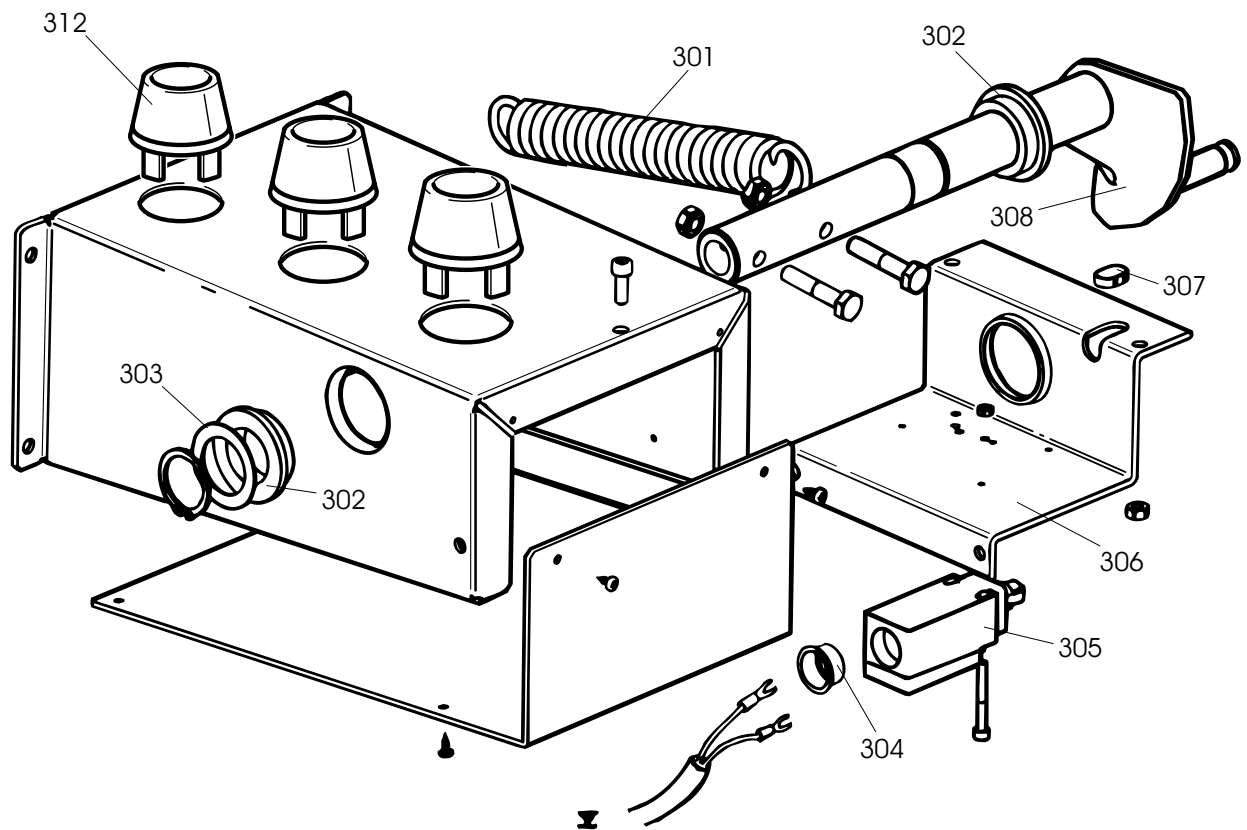


0114	900243591	PICK-UP	PICK-UP	PICK-UP	PICK-UP
0201	900222099	MOZZO	HUB	NABE	MOYEU
0203	900222101	VITE	SCREW	SCHRAUBE	VIS
0204	900249280	GRUPPO	ASSEMBLY	GRUPPE	GROUPE
0205	900349284	SUPPORTO	SUPPORT	LAGER	SUPPORT
0206	900600243	SFERA	BALL	KUGEL	BILLE
0207	900424993	MOLLA	SPRING	FEDER	RESSORT
0208	900449310	DISCO	DISK	SCHEIBE	DISQUE
0211	900203841	PINZA	PLIERS	ZANGE	PINCE
0212	900430573	PESO	WEIGHT	GEWICHT	POIDS

<b>9205</b>	<b>900256906</b>	<b>DISP. DI LANCIO</b>	<b>SPINNING ASS.</b>	<b>MASCHINENWELLE</b>	<b>DISPOSITIF DE LANC.</b>
0109	900249314	CAVO	CABLE	KABEL	CABLE
0132	900435898	SUPPORTO	SUPPORT	LAGER	SUPPORT
0133	900443611	MICROINTERRUTT.	MICROSWITCH	MIKROSCHALTER	MICROINTERRUPT.
0213	900417759	GUARNIZIONE	SEAL	DICHTUNG	JOINT
0216	900349358	FASCETTA	BAND	BAND	BANDE
0217	900349354	SUPPORTO	SUPPORT	LAGER	SUPPORT
0218	900349355	PERNO	PIN	ZAPFEN	PIVOT
0221	900249670	ELETTROMAGNETE	ELECTROMAGNETE	ELEKTROMAGNET	ELECTRO-AIMANT
0226	900250171	ELETTROMAGNETE	ELECTROMAGNETE	ELEKTROMAGNET	ELECTRO-AIMANT
0240	900451833	MOLLA	SPRING	FEDER	RESSORT
0241	900450995	MOTORE	MOTOR	MOTOR	MOTEUR
0243	900453430	PIGNONE	PINION	RITZEL	PIGNON
0245	900454327	MOLLA	SPRING	FEDER	RESSORT
0246	900254040	PATTINO	PAD	GLEITSTCHUH	PATIN

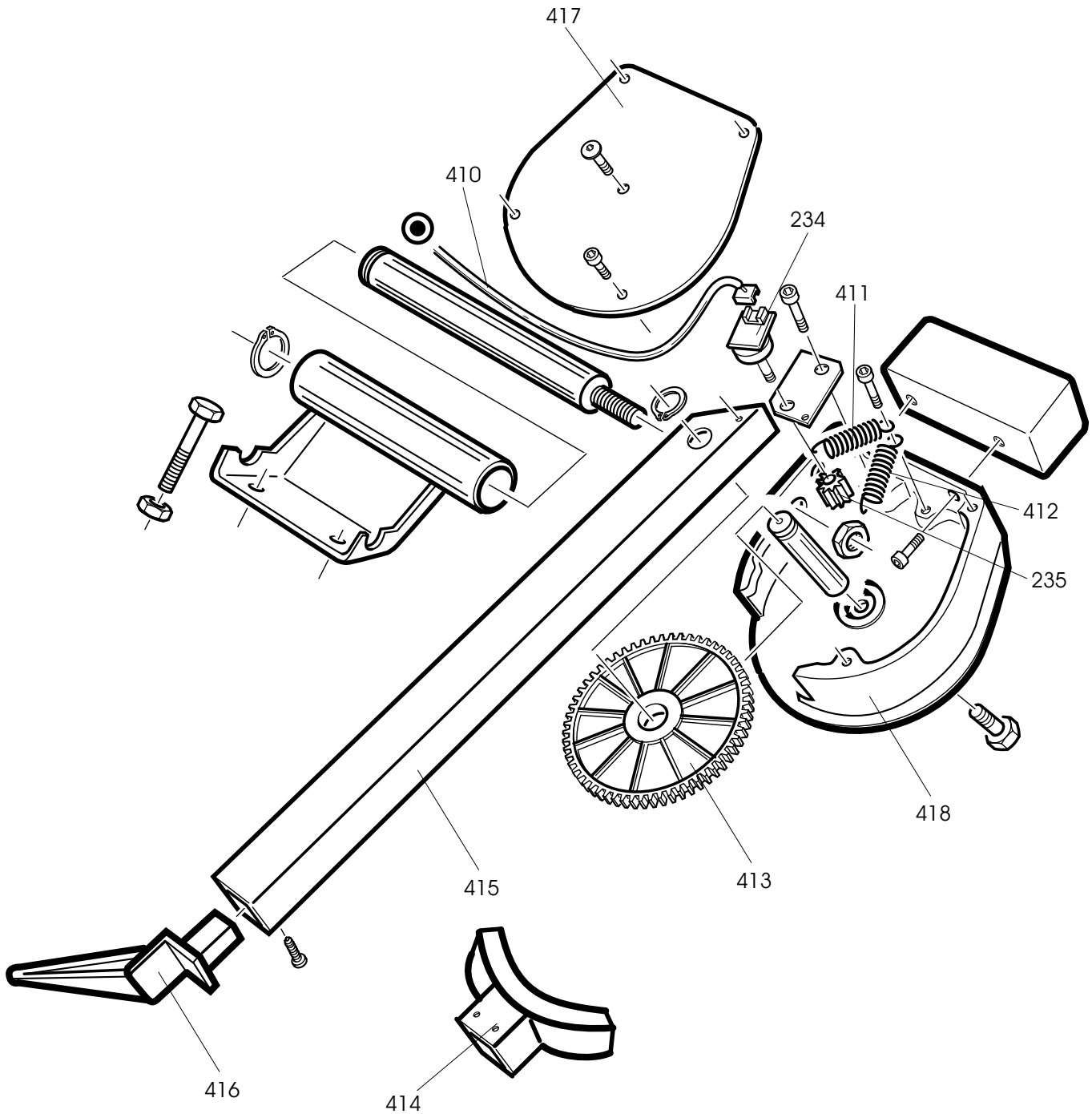
<b>9204</b>	<b>900257401</b>	<b>GRUP. RILEVATORE</b>	<b>SIGNAL TR. ASS.</b>	<b>AUFNEHMER GRUPPE</b>	<b>GROUPE MESUREUR</b>
<b>9204</b>	<b>900257400</b>	<b>GRUP. RILEVATORE GERMANIA</b>		<b>AUFNEHMER GRUPPE GERMAN VERSION</b>	
0234	900248387	POTENZIOMETRO	POTENTIOMETER	POTENTIOMETER	POTENTIOMETRE
0235	900449326	PIGNONE	PINION	RITZEL	PIGNON
0236	900450073	ANELLO	RING	RING	ANNEAU
0237	900249339	TERMINALE	TERMINAL	ENDVERSCHLUSS	COSSE
0242	900449322	BRACCIO	ARM	ARM	BRAS
0248	900449321	BOCCOLA	BUSHING	LAGER	DOUILLE
0249	900454000	BOCCOLA	BUSHING	LAGER	DOUILLE
0250	900457130	FUNE	CABLE	SEIL	CABLE
0251	900357405	ASTA	SHAFT	STANGE	BARRE
0252	900455317	MOLLA	SPRING	FEDER	RESSORT
0255	900255046	TERMINALE <b>GERMANIA</b>		ENDVERSCHLUSS <b>GERMAN</b>	
0256	900257481	PULEGGIA+PERNO	PULLEY+PIN	RIEMENSCHLEIBE	POULIE
0257	900457404	SUPPORTO	SUPPORT	LAGER	SUPPORT

0239	900449370	TARGHETTA	DATA PLATE	TYPENSCHILD	PLAQUETTE
0244	900254043	GRUPPO	ASSEMBLY	GRUPPE	GROUPE
0247	900453144	CALIBRO	CALIPER	LEHRE	CALIBRE
0258	900460966	MOLLA	SPRING	FEDER	RESSORT

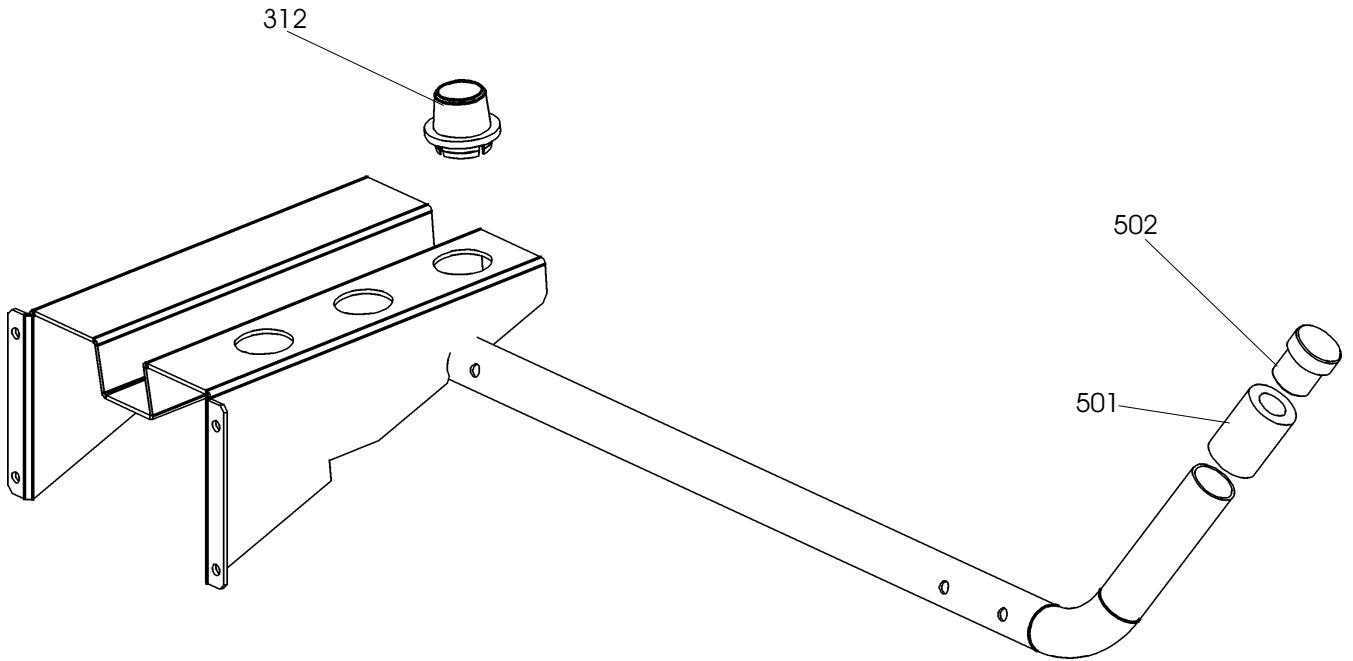




0301	900449270	MOLLA	SPRING	FEDER	RESSORT
0302	900433637	BOCCOLA	BUSHING	LAGER	DOUILLE
0303	900436721	RONDELLA	WASHER	UNTERLEGSCHIEBE	RONDELLE
0304	900431972	TAPPO	PLUG	STOPFEN	BOUCHON
0305	900441494	MICROINTERR.	MICROSWITCH	MIKROSCHALTER	MICROINTERRUPTEUR
0306	900338723	SUPPORTO	SUPPORT	LAGER	SUPPORT
0307	900413163	TASSELLO	BLOCK	EINSATZSTUECK	TAMPON
0308	900249267	FERMO	RETAINER	ANSCHLAG	ARRET
0309	900449271	PROTEZIONE	SHIELD	ABDECKUNG	PROTECTION
0310	900349272	TUBO	PIPE	ROHR	TUYAU
0311	900449273	MOLLA	SPRING	FEDER	RESSORT
0312	900441224	SUPPORTO	SUPPORT	LAGER	SUPPORT



0234	900248387	POTENZIOMETRO	POTENTIOMETER	POTENTIOMETER	POTENTIOMETRE
0235	900449326	PIGNONE	PINION	RITZEL	PIGNON
0410	900453493	CAVO FLAT	FLAT CABLE	FLACHER KABEL	CABLE FLAT
0411	900454239	MOLLA	SPRING	FEDER	RESSORT
0412	900455120	MOLLA	SPRING	FEDER	RESSORT
0413	900453579	INGRANAGGIO	GEAR	ZAHNRADGETRIEBE	ENGRENAGE
0414	900454458	PROTEZIONE	SHIELD	ABDECKUNG	PROTECTION
0415	900353559	BRACCIO	ARM	ARM	BRAS
0416	900453572	TASTATORE	FEELER PIN	FUEHLER	PALPEUR
0417	900353578	COPERCHIO	LID	DECKEL	COUVERCLE
0418	900454457	CORPO	BODY	KOERPER	CORPS



0312	900441224	SUPPORTO	SUPPORT	LAGER	SUPPORT
0501	900462236	AMMORTIZZATORE	SHOCK ABSORBER	STOSSDAEMPFER	AMORTISSEUR
0502	900418332	TAPPO	PLUG	STOPFEN	BOUCHON

Il disegno è realizzato con tutti i particolari ma solo quelli codificati sono forniti come ricambi. L'Azienda si riserva la facoltà di apportare modifiche senza preavviso.



S.S. 468 n°9 - 42015 Correggio (RE) ITALY  
Tel. ++39 0522 639111 - Fax ++39 0522 639150  
[www.corghi.com](http://www.corghi.com) - [info@corghi.com](mailto:info@corghi.com)

The drawing shows all parts but only the coded parts are supplied as spares. The Company reserves the right to make modifications without prior notice.