

Please read and save these instructions. Read carefully before attempting to assemble, install, operate or maintain the product described. Protect yourself and others by observing all safety information. Failure to comply with instructions could result in personal injury and/or property damage! Retain instructions for future reference.

Dayton® Utility Shutter-Mounted Exhaust Fans

Description

Dayton utility exhaust fans are designed for general purpose exhaust applications and may be used in stores, offices, factories, shops, farm buildings, greenhouses, etc. Efficient, easy-to-install exhaust fans with automatic shutters. Model 1HKL9, 7" Shutter fan fits in half of an 8 x 16" concrete block. Shutter flanges have eight pre-punched 1/4 x 1/2" slotted mounting holes for ease of installation. 7 to 36" diameter deep pitched propeller. Fan guards have charcoal grey metallic polyester finish to resist corrosion. Wire guards comply with OSHA Federal 1/2" max. opening requirement. Shipped completely assembled.

Optional Speed controllers available, see table below.

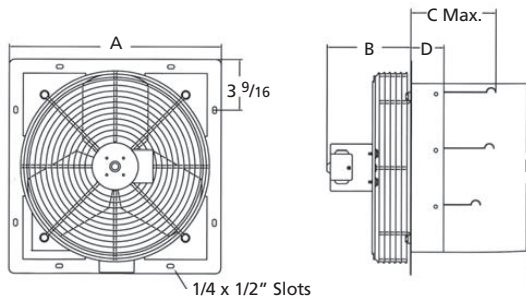


Figure 1 - Dimensions

Dimensions

Model	Prop. Dia.	A Square	B	C	D	E
1HKL9A	7"	11 1/8"	4 15/16"	6"	2 3/8"	8"
1HLA1A	10	13 1/8	5 9/16	5 1/8	2 3/8	10
1HLA2A	12	15 1/8	6	6 1/8	2 3/8	12
1HLA3A	16	19 1/8	8 3/4	6 1/8	2 3/8	16
1HLA4	18	21 1/8	8 3/4	6 1/8	2 3/8	18
1HLA5	18	21 1/8	12 1/2	5 3/4	3	18
1HLA6	20	23 1/8	12 1/8	5 3/4	3	20
1HLA7	20	23 1/8	12 1/8	5 3/4	3	20
1HLA8	20	23 1/8	11 9/16	5 3/4	3	20
1HLA9A	20	23 1/8	12 1/8	5 3/4	3	20
1HLB1	24	27 1/8	12 5/16	5 3/4	3	24
1HLB2	24	27 1/8	12 5/16	5 3/4	3	24
1HLB3	24	27 1/8	13 5/8	5 3/4	3	24
1HLB4	24	27 1/8	11 13/16	5 3/4	3	24
1HLB5	30	33 1/8	13 1/8	5 3/4	3	30
1HLB6	36	39 1/8	13 1/8	5 3/4	3	36

Unpacking

1. Inspect for any damage that may have occurred during shipment.
2. Shipping damage claim must be filed with carrier.
3. Check all bolts, screws, setscrews, etc. for looseness that may have occurred during transit. Retighten as required.
4. Before installing, rotate the propeller to be sure there are no obstructions which would interfere with proper operation. Adjust as required.



Performance

Model	Prop. Dia.	CFM @ 0.0" SP	CFM @ 0.125" SP	CFM @ 0.250" SP	Sones @ 0.0" SP @ 5'	Nom. HP	Amps	Nom. RPM	Recommended Speed Control
1HKL9A	7"	140	N/A	N/A	4.8	1/25	1.5	1550	1DGV1
1HLA1A	10	585	285	N/A	6.6	1/25	1.5	1550	1DGV1
1HLA2A	12	800	470	N/A	7.6	1/25	1.5	1550	1DGV1
1HLA3A	16	1095	720	N/A	8.0	1/20	1.0	1550	1DGV1
1HLA4	18	1860	850	N/A	8.4	1/15	1.3	1075	1DGV1
1HLA5	18	2590	2190	1705	14.3	1/4	4.5	1725	
1HLA9A	20	2830	2255	1235	11.3	1/4	5.0	1075	1DGV2
1HLA8	20	2955	2450	1960	14.4	1/4	4.5	1725	
1HLA7	20	3635	3115	2760	16.9	1/3	4.8	1725	
1HLA6	20	2985	2445	1965	14.3	1/4	4.3	1725	
1HLB3	24	3240	2485	1110	11.7	1/4	4.0	1075	1DGV2
1HLB2	24	3270	2515	1205	10.7	1/4	4.1	1075	
1HLB4	24	3970	3240	1900	12.1	1/3	5.3	1075	
1HLB1	24	3985/3760	3255/2995	1950/1563	11.8/11.3	1/3	5.3	1075	
1HLB5	30	6075	4195	2150	13.5	1/3	4.5	825	
1HLB6	36	8225	6480	2935	14.7	1/2	6.4	825	

Dayton® Utility Shutter-Mounted Exhaust Fans

ENGLISH

General Safety Information

⚠ WARNING *Do not depend on any switch as sole means of disconnecting power when installing or servicing the fan. If the power disconnect is out-of-sight, lock it in the open position and tag to prevent application of power. Failure to do so may result in fatal electrical shock. Employ proper lock-out procedures during maintenance and installation.*

⚠ CAUTION *All electrical connections should be made by a qualified electrician.*

1. Follow all local electrical and safety codes in the United States and Canada, as well as the National Electrical Code (NEC) and the Occupational Safety and Health Act (OSHA) in the United States, and the Canadian Electric Code (CEC) in Canada.
2. Always disconnect power source before working on or near a motor or its connected load.

⚠ WARNING *Motor will restart without warning after protector trips.*

⚠ CAUTION *In United States to reduce the risk of injury to persons, OSHA complying guards are required when fan is installed within 7 feet of floor or working level.*

⚠ CAUTION *In Canada to reduce the risk of injury to persons, CSA complying guards are required when fan is installed below 2.5 meters (8.2 feet) above floor or grade level.*

3. Protect the power cable from coming in contact with sharp objects.
4. Do not kink power cable and never allow the cable to come in contact with oil, grease, hot surfaces, or chemicals.

⚠ CAUTION *Do not use in explosive atmospheres.*

5. Make certain that the power source conforms to the requirements of your

equipment.

6. The fan frame and motor must be electrically grounded to a suitable electrical ground, such as a grounded water pipe or ground wire system.

Installation

1. The unit should be securely mounted in a rigid framework.

NOTE: Allowing the fan frame to flex or move will result in undue vibrations and possible premature motor, propeller, or shutter failure.

2. Install any auxiliary components.
3. Connect power to the motor, using an approved wiring method.

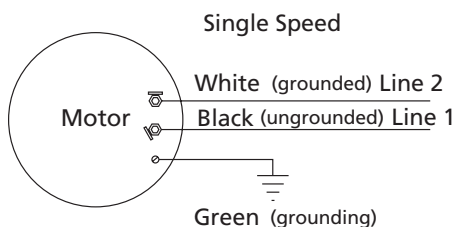


Figure 2 - Wiring Diagram: 115 Volt Connection

⚠ CAUTION *Fan frame and motor must be securely and adequately grounded to a suitable electrical ground, such as a ground water pipe or ground wiring system.*

4. Before activating the fan, check to ensure that there are no obstructions (framing, stud, shutter, etc.) which would interfere with proper fan operation by turning the propeller by hand. Also verify that there are no obstructions interfering with the full opening and closing of the shutter.

Operation

1. Keep the area free of objects that could impede air flow on both the intake and exhaust side of fan.
2. For proper exhaust operation, a window, door, or louver should be opened on the opposite side of the area to be ventilated.

3. Turn the fan on, the shutter will open automatically. When the unit is turned OFF, the shutter will close.
4. Speed controllable units are designed to operate at a minimum of fifty percent line voltage.

Maintenance

⚠ WARNING *Do not depend on any switch as sole means of disconnecting power when installing or servicing the fan. If the power disconnect is out-of-sight, lock it in the open position and tag to prevent application of power. Failure to do so may result in fatal electrical shock. Employ proper lock-out procedures when performing maintenance.*

MINOR AND ROUTINE

1. Disconnect power source before servicing.
2. Lubricate the motor sleeve bearings every six months using S.A.E. 20 non-detergent oil as per instructions (see motor label).
3. Periodically clean the propeller, guard, motor, and shutter of any accumulated dirt.

PARTS REPAIR

1. Refer to illustration of parts placement (Figure 3).
2. Disconnect power before servicing.
3. Remove the four screws holding the guard to the venturi panel. Remove the guard/motor/propeller assembly.
4. Loosen the setscrew on propeller hub and remove the propeller.

⚠ CAUTION *Do not repair damaged propeller. Replace with a properly balanced unit (see Figure 3 Reference No. 3).*

5. Loosen the nuts holding motor on guard and remove motor.
6. Reassemble the unit in reverse order of disassembly.

⚠ CAUTION *Propeller is installed hub first on motor shaft, flush with end, and setscrew located over the flat area.*

For Repair Parts, call 1-800-323-0620

24 hours a day - 365 days a year

Please provide following information:

- Model number
- Serial number (if any)
- Part description and number as shown in par

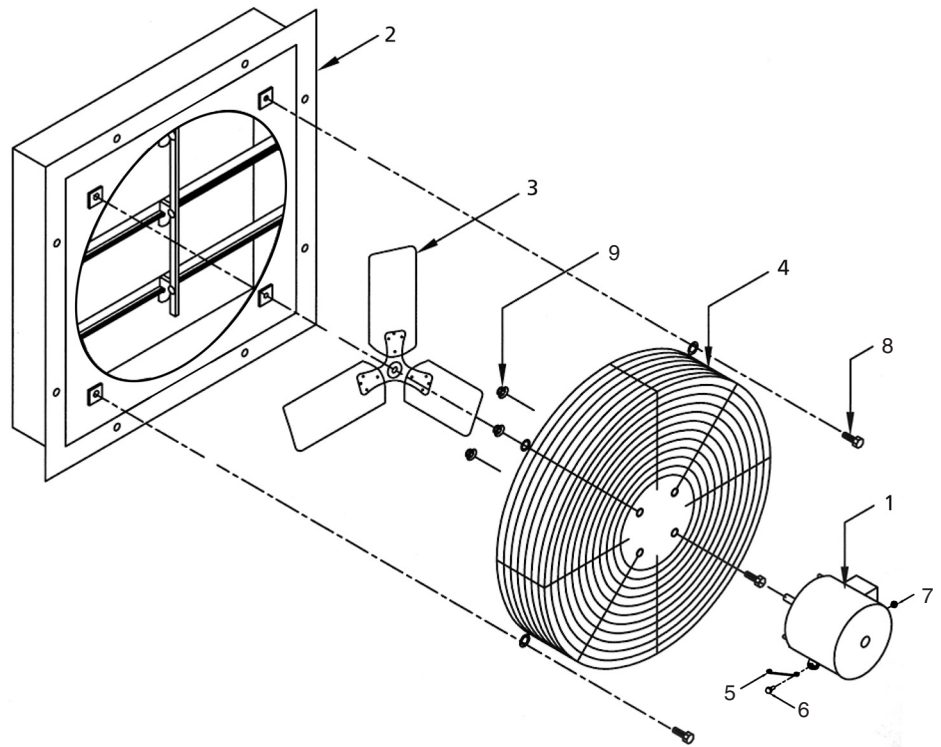


Figure 3 — Repair Parts Illustration

Repair Parts List

Ref. No.	Description	Part Number for Models:						Qty.
		1HKL9A	1HLA1A	1HLA2A	1HLA3A	1HLA4	1HLA5	
1.	Motor	XXMT-MTA402	XXMT-MTA402	XXMT-MTA402	XXMTFW4306	XXMTHX3835	XXMTKZ6804	1
2.	Shutter assembly	502G-08	502G-10	502G-12	502G-16	502G-18	502G-18	1
3.	Propeller	XXPR07A	XXPR10A	XXPR12A	XXPR16A	XXPR18B	XXPR18A	1
4.	Intake guard	XXWG07A	XXWG10A	XXWG12A	XXWG16A	XXWG18B	XXWG18A	1
5.	Yolk Brace	NA	NA	NA	NA	NA	XXSS494PC	1
6.	3/8-24 X 1" Screw	*	*	*	*	*	*	1
7.	3/8-24 Locknut	*	*	*	*	*	*	1
8.	#10-16 x 5/8" SM Screw	*	*	*	*	*	*	4
9.	#8-32 Spinlock Nut	*	*	*	*	*	*	4

Ref. No.	Description	Part Number for Models:					Qty.
		1HLA6	1HLA7	1HLA8	1HLA9A	1HLB1	
1.	Motor	XXMTKZ6805	XXMTKZ6805	XXMTKZ6804	XXMTHZ8242	XXMTHX6065	1
2.	Shutter assembly	502G-20	502G-20	502G-20	502G-20	502G-24	1
3.	Propeller	XXPR20A	XXPR20B	XXPR20A	XXPR20C	XXPR24B	1
4.	Intake guard	XXWG20A	XXWG20A	XXWG20A	XXWG20A	XXWG24A	1
5.	Yolk Brace	XXSS680PC	XXSS680PC	XXSS680PC	XXSS4680PC	XXSS930PC	1
6.	3/8-24 X 1" Screw	*	*	*	*	*	1
7.	3/8-24 Locknut	*	*	*	*	*	1
8.	#10-16 x 5/8" SM Screw	*	*	*	*	*	4
9.	#8-32 Spinlock Nut	*	*	*	*	*	4

Ref. No.	Description	Part Number for Models:					Qty.
		1HLB2	1HLB3	1HLB4	1HLB5	1HLB6	
1.	Motor	XXMTHX6082	XXMTHX6804	XXMTHX6083	XXMTHX7341	XXMTHX7278	1
2.	Shutter assembly	502G-24	502G-24	502G-24	556G-30	556G-36	1
3.	Propeller	XXPR24A	XXPR24A	XXPR24B	XXPR30A	XXPR36A	1
4.	Intake guard	XXWG24A	XXWG24A	XXWG24A	XXWG30A	XXWG36A	1
5.	Yolk Brace	XXSS930PC	XXSS930PC	XXSS930PC	XXSS930PC	XXSS1350PC	1
6.	3/8-24 X 1" Screw	*	*	*	*	*	1
7.	3/8-24 Locknut	*	*	*	*	*	1
8.	#10-16 x 5/8" SM Screw	*	*	*	*	*	4
9.	#8-32 Spinlock Nut	*	*	*	*	*	4

(*) Standard hardware items, available locally.

ENGLISH

Dayton® Utility Shutter-Mounted Exhaust Fans

Troubleshooting Chart

Symptom	Possible Cause(s)	Corrective Action
Excessive noise	<ol style="list-style-type: none"> 1. Dry motor bearings 2. Loose propeller 3. Crooked or damaged propeller 	<ol style="list-style-type: none"> 1. Relubricate motor bearings as per instructions or replace motor. 2. Tighten setscrews in hub 3. Replace propeller
Fan inoperative	<ol style="list-style-type: none"> 1. Blown fuse or open circuit breaker 2. Defective motor 3. Speed control off or too low 	<ol style="list-style-type: none"> 1. Replace fuse or reset circuit breaker 2. Repair or replace motor (see Figure 3) 3. Turn controller on
Insufficient air flow	<ol style="list-style-type: none"> 1. Blocked intake or exhaust opening 2. Low voltage 3. Speed control set too low 	<ol style="list-style-type: none"> 1. Clear opening of obstruction or increase size of opening, clean guard/shutter 2. Determine cause and correct 3. Increase speed with controller

LIMITED WARRANTY

DAYTON ONE-YEAR LIMITED WARRANTY. DAYTON® UTILITY SHUTTER-MOUNTED EXHAUST FANS, MODELS COVERED IN THIS MANUAL, ARE WARRANTED BY DAYTON ELECTRIC MFG. CO. (DAYTON) TO THE ORIGINAL USER AGAINST DEFECTS IN WORKMANSHIP OR MATERIALS UNDER NORMAL USE FOR ONE YEAR AFTER DATE OF PURCHASE. ANY PART WHICH IS DETERMINED TO BE DEFECTIVE IN MATERIAL OR WORKMANSHIP AND RETURNED TO AN AUTHORIZED SERVICE LOCATION, AS DAYTON DESIGNATES, SHIPPING COSTS PREPAID, WILL BE, AS THE EXCLUSIVE REMEDY, REPAIRED OR REPLACED AT DAYTON'S OPTION. FOR LIMITED WARRANTY CLAIM PROCEDURES, SEE "PROMPT DISPOSITION" BELOW. THIS LIMITED WARRANTY GIVES PURCHASERS SPECIFIC LEGAL RIGHTS WHICH VARY FROM JURISDICTION TO JURISDICTION.

LIMITATION OF LIABILITY. TO THE EXTENT ALLOWABLE UNDER APPLICABLE LAW, DAYTON'S LIABILITY FOR CONSEQUENTIAL AND INCIDENTAL DAMAGES IS EXPRESSLY DISCLAIMED. DAYTON'S LIABILITY IN ALL EVENTS IS LIMITED TO AND SHALL NOT EXCEED THE PURCHASE PRICE PAID.

WARRANTY DISCLAIMER. A DILIGENT EFFORT HAS BEEN MADE TO PROVIDE PRODUCT INFORMATION AND ILLUSTRATE THE PRODUCTS IN THIS LITERATURE ACCURATELY; HOWEVER, SUCH INFORMATION AND ILLUSTRATIONS ARE FOR THE SOLE PURPOSE OF IDENTIFICATION, AND DO NOT EXPRESS OR IMPLY A WARRANTY THAT THE PRODUCTS ARE MERCHANTABLE, OR FIT FOR A PARTICULAR PURPOSE, OR THAT THE PRODUCTS WILL NECESSARILY CONFORM TO THE ILLUSTRATIONS OR DESCRIPTIONS. EXCEPT AS PROVIDED BELOW, NO WARRANTY OR AFFIRMATION OF FACT, EXPRESSED OR IMPLIED, OTHER THAN AS STATED IN THE "LIMITED WARRANTY" ABOVE IS MADE OR AUTHORIZED BY DAYTON.

Technical Advice and Recommendations, Disclaimer. Notwithstanding any past practice or dealings or trade custom, sales shall not include the furnishing of technical advice or assistance or system design. Dayton assumes no obligations or liability on account of any unauthorized recommendations, opinions or advice as to the choice, installation or use of products.

Product Suitability. Many jurisdictions have codes and regulations governing sales, construction, installation, and/or use of products for certain purposes, which may vary from those in neighboring areas. While attempts are made to assure that Dayton products comply with such codes, Dayton cannot guarantee compliance, and cannot be responsible for how the product is installed or used. Before purchase and use of a product, review the product applications, and all applicable national and local codes and regulations, and be sure that the product, installation, and use will comply with them.

Certain aspects of disclaimers are not applicable to consumer products; e.g., (a) some jurisdictions do not allow the exclusion or limitation of incidental or consequential damages, so the above limitation or exclusion may not apply to you; (b) also, some jurisdictions do not allow a limitation on how long an implied warranty lasts, consequently the above limitation may not apply to you; and (c) by law, during the period of this Limited Warranty, any implied warranties of implied merchantability or fitness for a particular purpose applicable to consumer products purchased by consumers, may not be excluded or otherwise disclaimed.

Prompt Disposition. A good faith effort will be made for prompt correction or other adjustment with respect to any product which proves to be defective within limited warranty. For any product believed to be defective within limited warranty, first write or call dealer from whom the product was purchased. Dealer will give additional directions. If unable to resolve satisfactorily, write to Dayton at address below, giving dealer's name, address, date, and number of dealer's invoice, and describing the nature of the defect. Title and risk of loss pass to buyer on delivery to common carrier. If product was damaged in transit to you, file claim with carrier.

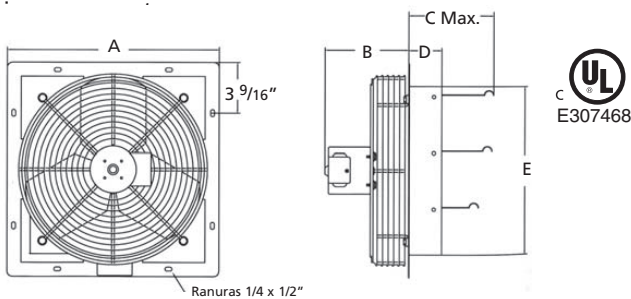
Manufactured for Dayton Electric Mfg. Co., 5959 W. Howard St., Niles, Illinois 60714-4014 U.S.A.

Por favor, lea y guarde las siguientes instrucciones. Lea detenidamente las instrucciones antes de armar, instalar, hacer funcionar o dar mantenimiento al producto descrito. Para su protección personal y la de otros, le recomendamos observar toda la información de seguridad. ¡El incumplimiento de las instrucciones podría causar lesiones personales y/o daños a la propiedad! Conserve las instrucciones para futuras consultas.

Ventiladores de extracción Dayton® con registro de aire integrado para uso general

Descripción

Los ventiladores de extracción Dayton han sido diseñados para trabajos de ventilación general y pueden utilizarse en recintos como tiendas, oficinas, fábricas, talleres, instalaciones agrícolas, viveros, etc. Los ventiladores de extracción con registros de aire automáticos son eficaces y fáciles de instalar. El ventilador de extracción de 7", modelo 1HKL9, cabe en la mitad de un bloque de concreto de 8 X 16". Las faldillas del registro tienen ocho agujeros ranurados de montaje preperforados de 1/4 x 1/2" para facilitar la instalación. Una hélice articulada de 7 a 36" de diámetro. El dispositivo protector tiene un acabado gris de poliéster secado al horno resistente a la corrosión. Los protectores metálicos están conformes con las regulaciones de la Ley de Seguridad Ocupacional e Higiene (OSHA, por sus siglas en inglés), que es máxima de 1/2". Se entregan totalmente armados. Controles de velocidad opcionales disponibles, ver cuadro de más abajo.



Al desempaquetar

1. Inspeccione detenidamente la unidad al recibirla, para asegurarse de que no haya sufrido daños durante el traslado.
2. Los reclamos por daños ocasionados durante el traslado deben remitirse al agente transportista.
3. Inspeccione los pernos, tornillos, tornillos de fijación, etc. puesto que pudieran haberse aflojado durante el traslado. Haga los ajustes necesarios.
4. Antes de instalar, haga rotar la hélice para asegurarse de que no haya obstrucciones que impidiesen el funcionamiento satisfactorio de la unidad. Haga los ajustes necesarios.

Ilustración 1- Dimensiones

Dimensions

Modelo	Diám. Helicoidal	Diám A	B	C	D	E
1HKL9A	7"	11 1/8"	4 15/16"	6"	2 3/8"	8"
1HLA1A	10	13 1/8	5 9/16	5 1/8	2 3/8	10
1HLA2A	12	15 1/8	6	6 1/8	2 3/8	12
1HLA3A	16	19 1/8	8 3/4	6 1/8	2 3/8	16
1HLA4	18	21 1/8	8 3/4	6 1/8	2 3/8	18
1HLA5	18	21 1/8	12 1/2	5 3/4	3	18
1HLA6	20	23 1/8	12 1/8	5 3/4	3	20
1HLA7	20	23 1/8	12 1/8	5 3/4	3	20
1HLA8	20	23 1/8	11 9/16	5 3/4	3	20
1HLA9A	20	23 1/8	12 1/8	5 3/4	3	20
1HLB1	24	27 1/8	12 5/16	5 3/4	3	24
1HLB2	24	27 1/8	12 5/16	5 3/4	3	24
1HLB3	24	27 1/8	13 5/8	5 3/4	3	24
1HLB4	24	27 1/8	11 13/16	5 3/4	3	24
1HLB5	30	33 1/8	13 1/8	5 3/4	3	30
1HLB6	36	39 1/8	13 1/8	5 3/4	3	36

Funcionamiento

Modelo	Diám. Helicoidal	CFM @ 0.0" SP	CFM @ 0.125" SP	CFM @ 0.250" SP	Sones @ 0.0" SP @ 5'	HP nominal	Amps	RPM Nominal	Control de velocidad recomendado
1HKL9A	7"	140	N/A	N/A	4.8	1/25	1.5	1550	1DGV1
1HLA1A	10	585	285	N/A	6.6	1/25	1.5	1550	1DGV1
1HLA2A	12	800	470	N/A	7.6	1/25	1.5	1550	1DGV1
1HLA3A	16	1095	720	N/A	8.0	1/20	1.0	1550	1DGV1
1HLA4	18	1860	850	N/A	8.4	1/15	1.3	1075	1DGV1
1HLA5	18	2590	2190	1705	14.3	1/4	4.5	1725	
1HLA9A	20	2830	2255	1235	11.3	1/4	5.0	1075	1DGV2
1HLA8	20	2955	2450	1960	14.4	1/4	4.5	1725	
1HLA7	20	3635	3115	2760	16.9	1/3	4.8	1725	
1HLA6	20	2985	2445	1965	14.3	1/4	4.3	1725	
1HLB3	24	3240	2485	1110	11.7	1/4	4.0	1075	1DGV2
1HLB2	24	3270	2515	1205	10.7	1/4	4.1	1075	
1HLB4	24	3970	3240	1900	12.1	1/3	5.3	1075	
1HLB1	24	3985/3760	3255/2995	1950/1563	11.8/11.3	1/3	5.3	1075	
1HLB5	30	6075	4195	2150	13.5	1/3	4.5	825	
1HLB6	36	8225	6480	2935	14.7	1/2	6.4	825	

Ventiladores de extracción Dayton® con registro de aire integrado para uso general

Información general sobre seguridad

ADVERTENCIA *No dependa de ningún interruptor como el único medio para desconectar la energía cuando está instalando o reparando el ventilador. Si el dispositivo de desconexión no estuviera a la vista, engánchelo en posición abierta y márkelo para prevenir que se alimente corriente eléctrica. De lo contrario, podría recibir una carga eléctrica mortal. Aplique los procedimientos de bloqueo adecuados durante la instalación y el mantenimiento.*

PRECAUCIÓN *Todas las conexiones eléctricas deben realizarse por un electricista calificado.*

1. Observe todos los códigos de electricidad y seguridad aplicables en los Estados Unidos y Canadá, al igual que el Código Eléctrico Nacional (NEC) y la Ley de Seguridad Ocupacional e Higiene (OSHA) en los Estados Unidos y el Código Eléctrico Canadiense (CEC) cuando en Canadá.
2. Siempre desconecte la fuente de corriente eléctrica cuando trabaja en un motor o cerca a éste o su carga conectada.

ADVERTENCIA *El motor entrará en marcha sin aviso al desengancharse el protector.*

PRECAUCIÓN *A fin de minimizar el riesgo de lesiones personales, en los Estados Unidos, OSHA exige la instalación de protectores si el ventilador será instalado a siete pies del piso o de la superficie de trabajo.*

PRECAUCIÓN *A fin de minimizar el riesgo de lesiones personales, en Canadá, la CSA exige la instalación de protectores si el ventilador será instalado a menos de 2.5 metros (8.2 pies) sobre el piso o del rasante del suelo.*

3. Evite que el cable de alimentación entre en contacto con objetos punzantes.
4. No doble el cable de alimentación ni permita que entre en contacto con aceite, grasa, superficies calientes o agentes químicos.

PRECAUCIÓN *No usar en atmósferas explosivas.*

5. Asegúrese de que la fuente de energía cumpla los requisitos del equipo.
6. El marco y el motor del ventilador deben

conectarse a una toma de tierra eléctrica adecuada tal como un tubería de agua puesta a tierra o un sistema de conductor de tierra.

Instalación

1. La unidad debe montarse de manera segura en un marco rígido.

NOTA: Si el marco del ventilador es flexible o se mueve, podrían producirse vibraciones excesivas, lo que podría causar la avería prematura del motor, la hélice o el registro de aire.

2. Instale todos los componentes auxiliares.
3. Conecte el motor a una fuente de energía, usando un método de cableado autorizado.

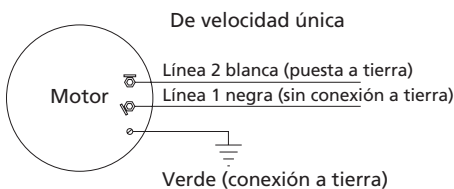


Ilustración 2- Diagrama de cableado: Conexión de 115 voltios

PRECAUCIÓN *El marco y el motor del ventilador deben conectarse debidamente a una toma de tierra eléctrica adecuada tal como una tubería de agua puesta a tierra o un sistema de conductor de tierra.*

4. Antes de activar el ventilador, gire manualmente la hélice para asegurarse de que no haya ningún tipo de obstrucción (marco, pernos, registro, etc.) que pudiera interferir con el funcionamiento satisfactorio del ventilador. Verifique también que no haya obstrucciones que impidan que el registro se abra y cierre completamente.

Funcionamiento

1. Mantenga el área libre de objetos que pudieran impedir la circulación de aire tanto en la entrada como el lado de extracción del ventilador.
2. Para que el extractor funcione debidamente, deberá mantenerse abierta una ventana, puerta o rejilla en el lado opuesto al área a ser ventilada.
3. Al encender el ventilador, el registro de aire se abrirá automáticamente. Al apagar la unidad, el registro se cerrará.
4. Las unidades con velocidad controlable han sido diseñadas para funcionar con una tensión de línea mínima de cincuenta

por ciento.

Mantenimiento

ADVERTENCIA *No dependa de ningún interruptor como el único medio para desconectar la energía cuando está instalando o reparando el ventilador. Si el dispositivo de desconexión no estuviera a la vista, engánchelo en posición abierta y márkelo para prevenir que se alimente corriente eléctrica. De lo contrario, podría recibir una carga eléctrica mortal. Aplique los procedimientos de bloqueo adecuados durante todo trabajo de mantenimiento.*

MANTENIMIENTO MENOR Y RUTINARIO

1. Desconecte la fuente de corriente antes de empezar su labor de servicio.
2. Lubrique los cojinetes de manguito del motor cada seis meses con aceite sin detergente S.A.E. 20, siguiendo las instrucciones provistas (ver etiqueta del motor).
3. Limpie periódicamente la hélice, el protector y el motor para eliminar cualquier acumulación excesiva de suciedad.

PIEZAS DE RECAMBIO

1. Remítase a la ilustración de las piezas de repuesto (Ilustración 3).
2. Desconecte la fuente de corriente antes de empezar su labor de servicio.
3. Retire los cuatro tornillos que sostienen el dispositivo protector en el panel de venturi. Retire el conjunto del protector/motor/hélice.
4. Afloje los tornillos de fijación en el cubo de la hélice y retire la hélice.

PRECAUCIÓN *Si se daña la hélice, no intente repararla. Reemplácela con una pieza debidamente equilibrada (ver Ilustración 3 Referencia No. 3).*

5. Afloje las tuercas que sostienen el motor en el protector y retírelo.
6. Arme nuevamente la unidad invirtiendo el orden del desmontaje.

PRECAUCIÓN *Instale primero el cubo de la hélice en el eje del motor, nivelándolo con el extremo y los tornillos de fijación ubicados sobre el área plana.*

Para solicitar repuestos, llame al 1-800-323-0620

24 horas al día, 365 días al año

Sírvase proporcionar la siguiente información:

- Número del modelo
- Número de serie (si corresponde)
- Descripción y número de la pieza según figur

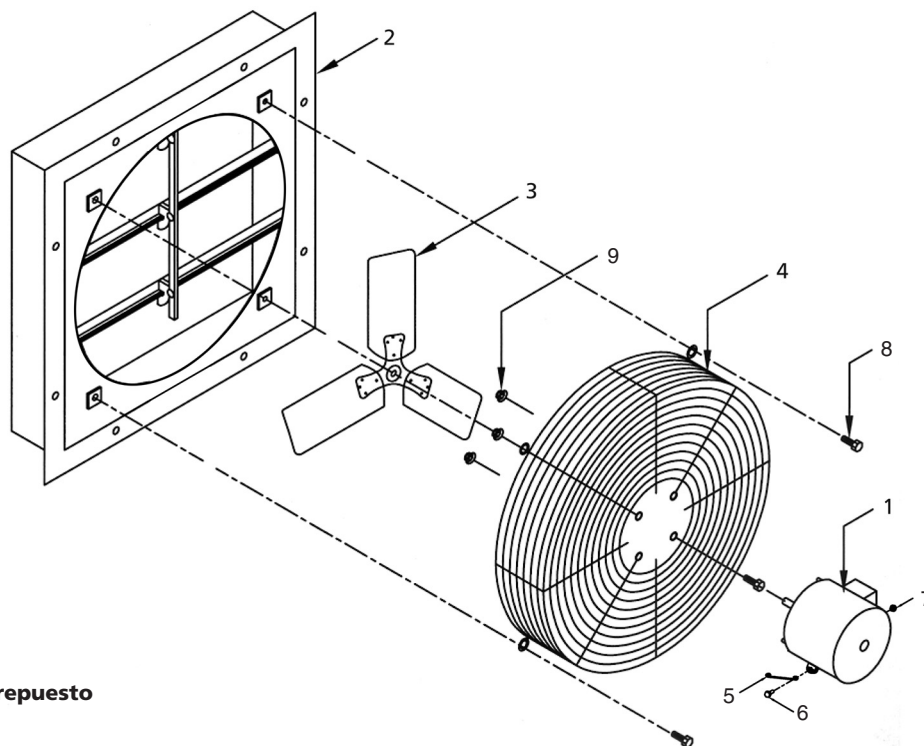


Ilustración 3 - Diagrama de las piezas de repuesto

Lista de las piezas de repuesto

No. de referencia	Descripción	Número de pieza para modelos:						Cant.
		1HKL9A	1HLA1A	1HLA2A	1HLA3A	1HLA4	1HLA5	
1	Motor	XXMT-MTA402	XXMT-MTA402	XXMT-MTA402	XXMTFW4306	XXMTHX3835	XXMTKZ6804	1
2	Conjunto del registro	502G-08	502G-10	502G-12	502G-16	502G-18	502G-18	1
3	Hélice	XXPR07A	XXPR10A	XXPR12A	XXPR16A	XXPR18B	XXPR18A	1
4	Protector de entrada	XXWG07A	XXWG10A	XXWG12A	XXWG16A	XXWG18B	XXWG18A	1
5	Abrazadera de brida	NC	NC	NC	NC	NC	XXSS494PC	1
6	Tornillo de 3/8-24 X 1"	*	*	*	*	*	*	1
7	Contratuerca de 3/8-24	*	*	*	*	*	*	1
8	Tornillo SM #10/-16 X 5/8"	*	*	*	*	*	*	4
9	Tuerca de fijación #8-32	*	*	*	*	*	*	4

No. de referencia	Descripción	Número de pieza para modelos:					Cant.
		1HLA6	1HLA7	1HLA8	1HLA9A	1HLB1	
1	Motor	XXMTKZ6805	XXMTKZ6805	XXMTKZ6804	XXMTHZ8242	XXMTHX6065	1
2	Conjunto del registro	502G-20	502G-20	502G-20	502G-20	502G-24	1
3	Hélice	XXPR20A	XXPR20B	XXPR20A	XXPR20C	XXPR24B	1
4	Protector de entrada	XXWG20A	XXWG20A	XXWG20A	XXWG20A	XXWG24A	1
5	Abrazadera de brida	XXSS680PC	XXSS680PC	XXSS680PC	XXSS4680PC	XXSS930PC	1
6	Tornillo de 3/8-24 X 1"	*	*	*	*	*	1
7	Contratuerca de 3/8-24	*	*	*	*	*	1
8	Tornillo SM #10/-16 X 5/8"	*	*	*	*	*	4
9	Tuerca de fijación #8-32	*	*	*	*	*	4

No. de referencia	Descripción	Número de pieza para modelos:					Cant.
		1HLB2	1HLB3	1HLB4	1HLB5	1HLB6	
1	Motor	XXMTHX6082	XXMTHX6804	XXMTHX6083	XXMTHX7341	XXMTHX7278	1
2	Conjunto del registro	502G-24	502G-24	502G-24	556G-30	556G-36	1
3	Hélice	XXPR24A	XXPR24A	XXPR24B	XXPR30A	XXPR36A	1
4	Protector de entrada	XXWG24A	XXWG24A	XXWG24A	XXWG30A	XXWG36A	1
5	Abrazadera de brida	XXSS930PC	XXSS930PC	XXSS930PC	XXSS930PC	XXSS1350PC	1
6	Tornillo de 3/8-24 X 1"	*	*	*	*	*	1
7	Contratuerca de 3/8-24	*	*	*	*	*	1
8	Tornillo SM #10/-16 X 5/8"	*	*	*	*	*	4
9	Tuerca de fijación #8-32	*	*	*	*	*	4

(*) Artículos regulares de quincallería disponibles en su localidad.

E
S
P
A
Ñ
O
L

Ventiladores de extracción Dayton® con registro de aire integrado para uso general

Tabla para la detección de averías

Síntoma	Causa(s) posible(s)	Medida correctiva
Ruido excesivo	1. Cojinetes del motor resecos 2. Hélice floja 3. Hélice torcida o dañada	1. Lubricar los cojinetes del motor siguiendo las instrucciones provistas o reemplazar el motor. 2. Ajustar los tornillos de fijación del cubo. 3. Reemplazar la hélice
El ventilador no funciona.	1. Fusible quemado o disyuntor abierto 2. Motor defectuoso 3. Control de velocidad apagado o muy bajo	1. Reemplazar fusible quemado o reposicionar el disyuntor 2. Reparar o cambiar el motor (ver Ilustración) 3. Prender el controlador

GARANTIA LIMITADA

GARANTIA LIMITADA DE DAYTON POR UN AÑO. DAYTON ELECTRIC MFG. CO. (DAYTON) LE GARANTIZA AL USUARIO ORIGINAL QUE LOS MODELOS TRATADOS EN ESTE MANUAL DEL VENTILADORES DE EXTRACCIÓN DAYTON® ESTAN LIBRES DE DEFECTOS EN LA MANO DE OBRA O EL MATERIAL, CUANDO SE LES SOMETE A USO NORMAL, POR UN AÑO A PARTIR DE LA FECHA DE COMPRA. CUALQUIER PARTE QUE SE HALLE DEFECTUOSA, YA SEA EN EL MATERIAL O EN LA MANO DE OBRA, Y SEA DEVUELTA (CON LOS COSTOS DE ENVÍO PAGADOS POR ADELANTADO) A UN CENTRO DE SERVICIO AUTORIZADO DESIGNADO POR DAYTON, SERÁ REPARADA O REEMPLAZADA (NO EXISTE OTRA POSIBILIDAD) SEGUN LO DETERMINE DAYTON. PARA OBTENER INFORMACION SOBRE LOS PROCEDIMIENTOS DE RECLAMO CUBIERTOS EN LA GARANTIA LIMITADA, VEA LA SECCION "ATENCION OPORTUNA" QUE APARECE MAS ADELANTE. ESTA GARANTIA LIMITADA CONFIERE AL COMPRADOR DERECHOS LEGALES ESPECIFICOS QUE VARIAN DE JURISDICCION A JURISDICCION.

LIMITES DE RESPONSABILIDAD. EN LA MEDIDA EN QUE LAS LEYES APLICABLES LO PERMITAN, LA RESPONSABILIDAD DE DAYTON POR LOS DAÑOS EMERGENTES O INCIDENTALES ESTA EXPRESAMENTE EXCLUIDA. LA RESPONSABILIDAD DE DAYTON EXPRESAMENTE ESTA LIMITADA Y NO PUEDE EXCEDER EL PRECIO DE COMPRA PAGADO POR EL ARTICULO.

EXCLUSION DE RESPONSABILIDAD DE LA GARANTIA. SE HAN HECHO ESFUERZOS DILIGENTES PARA PROPORCIONAR INFORMACION E ILUSTRACIONES APROPIADAS SOBRE EL PRODUCTO EN ESTE MANUAL; SIN EMBARGO, ESTA INFORMACION Y LAS ILUSTRACIONES TIENEN COMO UNICO PROPOSITO LA IDENTIFICACION DEL PRODUCTO Y NO EXPRESAN NI IMPLICAN GARANTIA DE QUE LOS PRODUCTOS SEAN VENDIBLES O ADECUADOS PARA UN PROPOSITO EN PARTICULAR NI QUE SE AJUSTAN NECESARIAMENTE A LAS ILUSTRACIONES O DESCRIPCIONES. CON EXCEPCION DE LO QUE SE ESTABLECE A CONTINUACION, DAYTON NO HACE NI AUTORIZA NINGUNA GARANTIA O AFIRMACION DE HECHO, EXPRESA O IMPLICITA, QUE NO SEA ESTIPULADA EN LA "GARANTIA LIMITADA" ANTERIOR.

Consejo Técnico y Recomendaciones, Exclusiones de Responsabilidad. A pesar de las prácticas, negociaciones o usos comerciales realizados previamente, las ventas no deberán incluir el suministro de consejo técnico o asistencia o diseño del sistema. Dayton no asume ninguna obligación o responsabilidad por recomendaciones, opiniones o consejos no autorizados sobre la elección, instalación o uso de los productos.

Adaptación del Producto. Muchas jurisdicciones tienen códigos o regulaciones que rigen la venta, la construcción, la instalación y/o el uso de productos para ciertos propósitos que pueden variar con respecto a los aplicables a las zonas vecinas. Si bien se trata de que los productos Dayton cumplan con dichos códigos, no se puede garantizar su conformidad y no se puede hacer responsable por la forma en que se instale o use su producto. Antes de comprar y usar el producto, revise su aplicación y todos los códigos y regulaciones nacionales y locales aplicables y asegúrese de que el producto, la instalación y el uso los cumplan.

Ciertos aspectos de limitación de responsabilidad no se aplican a productos al consumidor; es decir (a) algunas jurisdicciones no permiten la exclusión ni limitación de daños incidentales o consecuentes, de modo que las limitaciones o exclusiones anteriores quizás no apliquen en su caso; (b) asimismo, algunas jurisdicciones no permiten limitar el plazo de una garantía implícita, por lo tanto, la limitación anterior quizás no aplique en su caso; y (c) por ley, mientras la Garantía Limitada esté vigente no podrán excluirse ni limitarse en modo alguno ninguna garantía implícita de comercialización o idoneidad para un propósito en particular aplicables a los productos al consumidor adquiridos por éste.

Atención Oportuna. Se hará un esfuerzo de buena fe para corregir puntualmente, o hacer otros ajustes, con respecto a cualquier producto que resulte defectuoso dentro de los términos de esta garantía limitada. En el caso de que encuentre un producto defectuoso y que esté cubierto dentro de los límites de esta garantía haga el favor de escribir primero, o llame, al distribuidor a quien le compró el producto. El distribuidor le dará las instrucciones adicionales. Si no puede resolver el problema en forma satisfactoria, escriba a Dayton a la dirección a continuación, dando el nombre del distribuidor, su dirección, la fecha y el número de la factura del distribuidor y describa la naturaleza del defecto. La propiedad del artículo y el riesgo de pérdida pasan al comprador en el momento de la entrega del artículo a la compañía de transporte. Si el producto se daña durante el transporte, debe presentar su reclamo a la compañía transportista.

Fabricado para Dayton Electric Mfg. Co., 5959 W. Howard St., Niles, Illinois 60714-4014 EE.UU.

Prrière de lire et conserver ces instructions. Lire attentivement avant de commencer à monter, installer, utiliser ou entretenir l'appareil décrit. Protégez-vous et les autres en respectant toutes les instructions de sécurité. Le non-respect de ces instructions peut causer des blessures corporelles et/ou des dommages matériels. Veuillez conserver ces instructions pour référence ultérieure.

Ventilateurs d'extraction utilitaires à claire-voie Dayton®

Description

Les ventilateurs utilitaires Dayton sont conçus pour des applications d'extraction générale efficace et peuvent être utilisés dans les magasins, bureaux, usines, ateliers, bâtiments de ferme, serres, etc... Ces ventilateurs ont des volets automatiques et sont efficaces et faciles à installer. Le ventilateur à claire-voie de 7", modèle 1HKL9, s'intègre dans la moitié d'un bloc de béton de 8 X 16". Les brides de volet ont huit trous de montage rainurés pré-perforés de 1/4 à 1/2" pour faciliter l'installation. L'hélice à forte inclinaison va de 7" à 36" de diamètre. Les grilles de ventilateur ont une finition polyester anti-corrosion gris anthracite métallisé. Les grilles sont conformes aux exigences d'ouverture max. de 1/2 po de la Loi sur la Santé et la Sécurité au Travail (OSHA). Ils sont expédiés complètement assemblés. Des contrôleurs de vitesse sont disponibles en option, voir tableau ci-dessous.

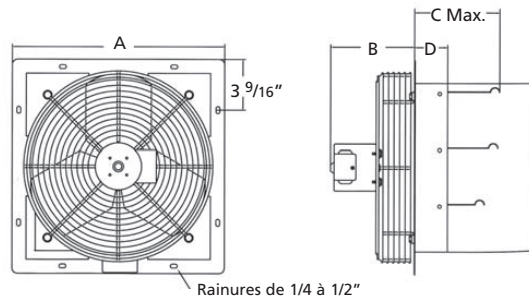


Figure 1 - Dimensions

Dimensions

Modèle	Dia. Hélic.	A Carré	B	C	D	E
1HKL9A	7"	11 1/8"	4 15/16"	6"	2 3/8"	8"
1HLA1A	10	13 1/8	5 9/16	5 1/8	2 3/8	10
1HLA2A	12	15 1/8	6	6 1/8	2 3/8	12
1HLA3A	16	19 1/8	8 3/4	6 1/8	2 3/8	16
1HLA4	18	21 1/8	8 3/4	6 1/8	2 3/8	18
1HLA5	18	21 1/8	12 1/2	5 3/4	3	18
1HLA6	20	23 1/8	12 1/8	5 3/4	3	20
1HLA7	20	23 1/8	12 1/8	5 3/4	3	20
1HLA8	20	23 1/8	11 9/16	5 3/4	3	20
1HLA9A	20	23 1/8	12 1/8	5 3/4	3	20
1HLB1	24	27 1/8	12 5/16	5 3/4	3	24
1HLB2	24	27 1/8	12 5/16	5 3/4	3	24
1HLB3	24	27 1/8	13 5/8	5 3/4	3	24
1HLB4	24	27 1/8	11 13/16	5 3/4	3	24
1HLB5	30	33 1/8	13 1/8	5 3/4	3	30
1HLB6	36	39 1/8	13 1/8	5 3/4	3	36

Fonctionamiento

Modèle	Dia. Hélic.	Débit d'air pi3/min PS 0,0 po	Débit d'air pi3/min 0,125 po	Débit d'air pi3/min 0,250 po	Sones à PS 0,0 po à 5'	CV nom.	Intensité pleine charge	TR/min nom.	Contrôle vitesse recom.
1HKL9A	7"	140	N/A	N/A	4.8	1/25	1.5	1550	1DGV1
1HLA1A	10	585	285	N/A	6.6	1/25	1.5	1550	1DGV1
1HLA2A	12	800	470	N/A	7.6	1/25	1.5	1550	1DGV1
1HLA3A	16	1095	720	N/A	8.0	1/20	1.0	1550	1DGV1
1HLA4	18	1860	850	N/A	8.4	1/15	1.3	1075	1DGV1
1HLA5	18	2590	2190	1705	14.3	1/4	4.5	1725	
1HLA9A	20	2830	2255	1235	11.3	1/4	5.0	1075	1DGV2
1HLA8	20	2955	2450	1960	14.4	1/4	4.5	1725	
1HLA7	20	3635	3115	2760	16.9	1/3	4.8	1725	
1HLA6	20	2985	2445	1965	14.3	1/4	4.3	1725	
1HLB3	24	3240	2485	1110	11.7	1/4	4.0	1075	1DGV2
1HLB2	24	3270	2515	1205	10.7	1/4	4.1	1075	
1HLB4	24	3970	3240	1900	12.1	1/3	5.3	1075	
1HLB1	24	3985/3760	3255/2995	1950/1563	11.8/11.3	1/3	5.3	1075	
1HLB5	30	6075	4195	2150	13.5	1/3	4.5	825	
1HLB6	36	8225	6480	2935	14.7	1/2	6.4	825	

Déballage

1. Vérifiez si l'appareil n'a pas été endommagé pendant le transport.
2. Toute réclamation pour dégâts dus au transport doit être adressée au transporteur.
3. Vérifiez si les écrous, vis, vis de pression, etc... ne se sont pas desserrés pendant le transport. Resserrez si nécessaire.
4. Avant le montage, faites tourner l'hélice pour vous assurer qu'il n'y a pas d'obstacle. Réglez si nécessaire.



Ventilateurs d'extraction utilitaires à claire-voie Dayton®

Consignes générales de sécurité

AVERTISSEMENT *Il ne faut pas seulement se contenter d'éteindre l'interrupteur pendant l'installation ou l'entretien du ventilateur. Si le dispositif de débranchement n'est pas visible, il faut le bloquer en position ouverte et le signaler pour éviter le rétablissement du courant. Le non-respect de cette consigne risque d'entraîner une décharge électrique fatale. Il faut suivre les procédures adéquates de blocage pendant l'entretien et l'installation.*

ATTENTION *Tous les branchements électriques doivent être effectués par un électricien qualifié.*

1. Respecter tous les codes locaux d'électricité et de sécurité aux Etats-Unis et au Canada, ainsi que le Code Electrique National (CEN) et la Loi sur la Santé et la Sécurité au Travail (OSHA) aux Etats-Unis, et le Code Electrique Canadien (CEC) au Canada.
2. Toujours débrancher la source d'alimentation de courant avant de travailler sur ou près d'un moteur ou de sa charge connectée.

AVERTISSEMENT *Le moteur redémarre sans prévenir quand la protection se déclenche.*

ATTENTION *Aux Etats-Unis, pour réduire les risques d'accidents personnels, des protections conformes à OSHA doivent être installées quand un ventilateur est monté à 2,10m (7 pi.) du sol ou au niveau de la surface de travail.*

ATTENTION *Au Canada, pour réduire les risques d'accidents personnels, des protections conformes au CSA doivent être installées quand un ventilateur est monté à moins de 2,50m (8,2 pi.) du sol ou de la surface.*

3. Protéger le cordon d'alimentation des objets tranchants.
4. Il faut éviter de tordre le cordon d'alimentation et l'empêcher d'entrer en contact avec l'huile, la graisse, les surfaces chaudes ou les produits chimiques.

ATTENTION *Ne pas utiliser dans des atmosphères explosives.*

5. Vérifier si la source d'alimentation électrique correspond aux exigences de votre matériel.
6. Le cadre et le moteur du ventilateur doivent être reliés à une masse adéquate, comme un tuyau d'eau ou un système de câbles mis à la terre.

Installation

1. L'appareil doit être solidement monté dans un cadre rigide.
- NOTE** : tout mouvement ou flexion du cadre du ventilateur peut causer des vibrations indésirables et une panne du moteur, de l'hélice ou du registre.
 2. Installer les éléments auxiliaires.
 3. Brancher le moteur sur le courant suivant une méthode de câblage approuvée.

Vitesse unique

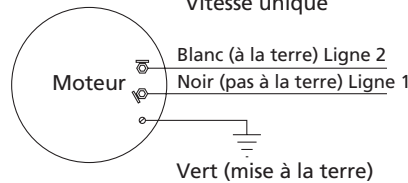


Figure 2 - Diagramme de connexions : 115 V

ATTENTION *Le cadre et le moteur du ventilateur doivent être reliés de façon sûre et adéquate à une masse électrique appropriée, comme un tuyau d'eau ou un système de câbles mis à la terre.*

4. Avant de mettre en marche le ventilateur, faire tourner l'hélice à la main pour s'assurer qu'il n'y a pas d'obstacle (cadrage, planche, volet, etc...) qui pourrait empêcher le bon fonctionnement du ventilateur. Vérifier aussi s'il n'y a pas d'obstruction à l'ouverture et la fermeture totales des volets.

Fonctionnement

1. Débarrasser tout objet qui pourrait gêner la circulation d'air des côtés entrée et sortie d'air du ventilateur.
2. Pour une bonne extraction, une porte, fenêtre ou lucarne devrait être ouverte du côté opposé de la zone à ventiler.
3. En allumant le ventilateur, les volets

s'ouvrent automatiquement. En l'éteignant, les volets se ferment.

4. Les appareils à vitesse variable sont conçus pour fonctionner à un minimum de 50 % de tension de la ligne.

Entretien

AVERTISSEMENT *Il ne faut pas seulement se contenter d'éteindre l'interrupteur pendant l'installation ou l'entretien du ventilateur. Si le dispositif de débranchement n'est pas visible, il faut le bloquer en position ouverte et le signaler pour éviter le rétablissement du courant. Le non-respect de cette consigne peut causer une décharge électrique fatale. Suivre les procédures adéquates de blocage pendant l'entretien et l'installation.*

ENTRETIEN REGULIER ET MINEUR

1. Débrancher la source de courant avant l'entretien.
2. Lubrifier les coussinets de douille du moteur tous les six mois avec une huile non-détergente SAE 20 suivant les instructions (voir étiquette du moteur).
3. Nettoyer périodiquement l'hélice, la grille, le moteur et les volets de toute poussière excessive.

REPARATION DES PIECES

1. Consulter l'illustration du placement des pièces (Figure 3).
2. Débrancher la source d'alimentation avant l'entretien.
3. Retirer les 4 vis qui relient la grille au panneau Venturi. Retirer l'assemblage grille/moteur/hélice.
4. Dévisser la vis de pression au centre de l'hélice et retirer l'hélice.

ATTENTION *Eviter de réparer une hélice endommagée. Remplacer par une hélice bien équilibrée (voir Figure 3, référence no. 3).*

5. Dévisser les boulons qui maintiennent le moteur sur la grille et retirer le moteur.
6. Remonter l'appareil dans l'ordre inverse du démontage.

ATTENTION *Le centre de l'hélice est installé en premier sur l'axe du moteur, à niveau avec l'extrémité, et la vis de pression est placée sur la surface plate.*

Pour les pièces de rechange, appeler le 1-800-323-0620

24 heures sur 24, 365 jours par an

Prière de fournir les informations suivantes:

- Numéro du modèle
- Numéro de série (s'il y en a un)
- Numéro et description de la pièce tels qu'ind

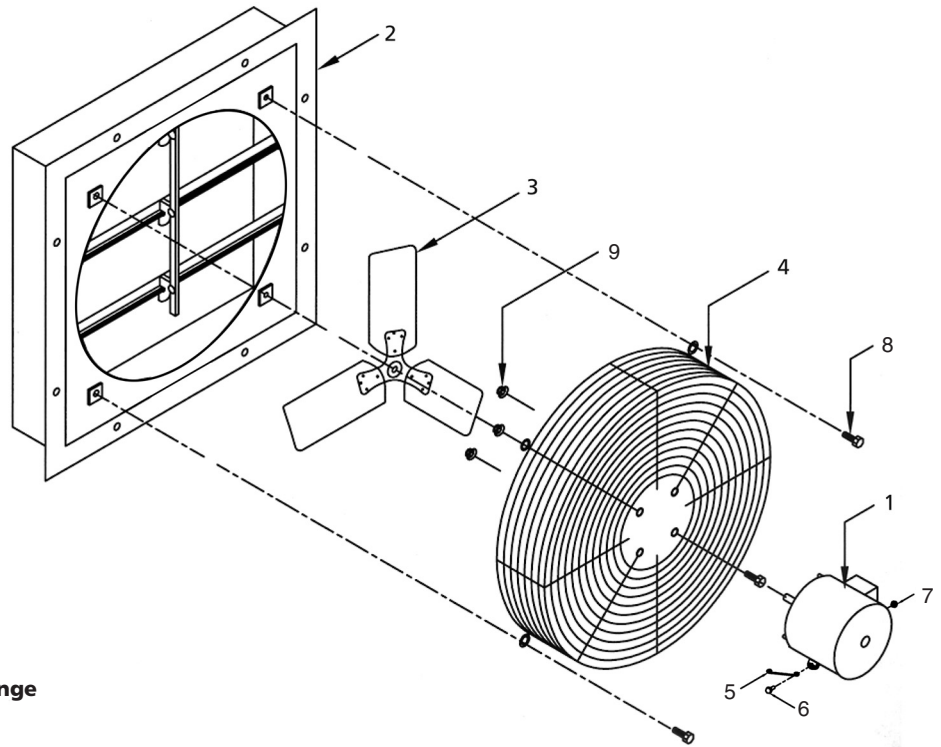


Figure 3 : Illustration des pièces de rechange

Liste des pièces de rechange

No. de ref.	Description	Numéro de pièce pour les modèles						Qté.
		1HKL9A	1HLA1A	1HLA2A	1HLA3A	1HLA4	1HLA5	
1	Moteur	XXMT-MTA402	XXMT-MTA402	XXMT-MTA402	XXMTFW4306	XXMTHX3835	XXMTKZ6804	1
2	Assemblage claire-voie	502G-08	502G-10	502G-12	502G-16	502G-18	502G-18	1
3	Hélice	XXPR07A	XXPR10A	XXPR12A	XXPR16A	XXPR18B	XXPR18A	1
4	Grille d'entrée	XXWG07A	XXWG10A	XXWG12A	XXWG16A	XXWG18B	XXWG18A	1
5	Bride de fixation	NC	NC	NC	NC	NC	XXSS494PC	1
6	Vis 3/8-24 X 1"	*	*	*	*	*	*	1
7	Ecrou bloquant 3/8-24	*	*	*	*	*	*	1
8	Vis SM no. 10-16 x 5/8"	*	*	*	*	*	*	4
9	Ecrou verrouillage cranté no. 8-32	*	*	*	*	*	*	4

No. de ref.	Description	Numéro de pièce pour les modèles					Qté.
		1HLA6	1HLA7	1HLA8	1HLA9A	1HLB1	
1	Moteur	XXMTKZ6805	XXMTKZ6805	XXMTKZ6804	XXMTHZ8242	XXMTHX6065	1
2	Assemblage claire-voie	502G-20	502G-20	502G-20	502G-20	502G-24	1
3	Hélice	XXPR20A	XXPR20B	XXPR20A	XXPR20C	XXPR24B	1
4	Grille d'entrée	XXWG20A	XXWG20A	XXWG20A	XXWG20A	XXWG24A	1
5	Bride de fixation	XXSS680PC	XXSS680PC	XXSS680PC	XXSS4680PC	XXSS930PC	1
6	Vis 3/8-24 X 1"	*	*	*	*	*	1
7	Ecrou bloquant 3/8-24	*	*	*	*	*	1
8	Vis SM no. 10-16 x 5/8"	*	*	*	*	*	4
9	Ecrou verrouillage cranté no. 8-32	*	*	*	*	*	4

No. de ref.	Description	Numéro de pièce pour les modèles					Qté.
		1HLB2	1HLB3	1HLB4	1HLB5	1HLB6	
1	Moteur	XXMTHX6082	XXMTHX6804	XXMTHX6083	XXMTHX7341	XXMTHX7278	1
2	Assemblage claire-voie	502G-24	502G-24	502G-24	556G-30	556G-36	1
3	Hélice	XXPR24A	XXPR24A	XXPR24B	XXPR30A	XXPR36A	1
4	Grille d'entrée	XXWG24A	XXWG24A	XXWG24A	XXWG30A	XXWG36A	1
5	Bride de fixation	XXSS930PC	XXSS930PC	XXSS930PC	XXSS930PC	XXSS1350PC	1
6	Vis 3/8-24 X 1"	*	*	*	*	*	1
7	Ecrou bloquant 3/8-24	*	*	*	*	*	1
8	Vis SM no. 10-16 x 5/8"	*	*	*	*	*	4
9	Ecrou verrouillage cranté no. 8-32	*	*	*	*	*	4

(*) Quincaillerie standard, disponible sur place

Ventilateurs d'extraction utilitaires à claire-voie Dayton®

Tableau de dépannage

Symptôme	Cause(s) possible(s)	Mesure corrective
Fonctionnement trop bruyant	1. Coussinets de moteur secs 2. Hélice desserrée 3. Hélice tordue ou endommagée	1. Relubrifier coussinets moteur suivant instructions ou remplacer moteur. 2. Serrer la vis de pression au centre 3. Remplacer hélice
Ventilateur ne fonctionne pas	1. Fusible grillé ou disjoncteur ouvert 2. Moteur défectueux 3. Contrôleur de vitesse éteint ou trop bas	1. Remplacer fusible ou rétablir disjoncteur 2. Réparer ou remplacer moteur (voir Figure 3) 3. Augmenter la vitesse à l'aide du contrôleur

GARANTIE LIMITÉE

Ventilateurs d'extraction utilitaires à claire-voie

GARANTIE LIMITÉE DE UN AN DE DAYTON. LES MODÈLES VENTILATEURS D'EXTRACTION UTILITAIRES À CLAIRE-VOIE DE DAYTON® COUVERTS DANS CE MANUEL SONT GARANTIS À L'UTILISATEUR D'ORIGINE PAR DAYTON ELECTRIC MFG. CO. (DAYTON), CONTRE TOUT DÉFAUT DE FABRICATION OU DE MATÉRIAUX, LORS D'UNE UTILISATION NORMALE, ET CELA PENDANT UN AN APRÈS LA DATE D'ACHAT. TOUTE PIÈCE, DONT LES MATÉRIAUX OU LA MAIN D'OUVRE SERONT JUGÉS DÉFECTUEUX, ET QUI SERA RENVOYÉE PORT PAYÉ, À UN CENTRE DE RÉPARATION AUTORISÉ PAR DAYTON, SERA, À TITRE DE SOLUTION EXCLUSIVE, SOIT RÉPARÉE, SOIT REMPLACÉE PAR DAYTON. POUR LE PROCÉDÉ DE RÉCLAMATION SOUS GARANTIE LIMITÉE, REPORTEZ-VOUS À LA CLAUSE DE "DISPOSITION PROMPTE" CI-DESSOUS. CETTE GARANTIE LIMITÉE DONNE AUX ACHETEURS DES DROITS LÉGAUX SPÉCIFIQUES QUI VARIENT DE JURIDICTION À JURIDICTION.

LIMITES DE RESPONSABILITÉ. LA RESPONSABILITÉ DE DAYTON, DANS LES LIMITES PERMISES PAR LA LOI, POUR LES DOMMAGES INDIRECTS OU FORTUITS EST EXPRESSEMENT DÉNIÉE. DANS TOUS LES CAS LA RESPONSABILITÉ DE DAYTON EST LIMITÉE ET NE DÉPASSERA PAS LA VALEUR DU PRIX D'ACHAT PAYÉ.

DÉSISTEMENT DE GARANTIE. DE DILIGENTS EFFORTS SONT FAITS POUR FOURNIR AVEC PRÉCISION LES INFORMATIONS ET ILLUSTRATIONS DES PRODUITS DÉCRITS DANS CETTE BROCHURE; CEPENDANT, DE TELLES INFORMATIONS ET ILLUSTRATIONS SONT POUR LA SEULE RAISON D'IDENTIFICATION, ET N'EXPRIMENT NI N'IMPLIQUENT QUE LES PRODUITS SONT COMMERCIALISABLES, OU ADAPTABLES À UN BESOIN PARTICULIER, NI QUE CES PRODUITS SONT NÉCESSAIREMENT CONFORMES AUX ILLUSTRATIONS OU DESCRIPTIONS. SAUF POUR CE QUI SUIV, AUCUNE GARANTIE OU AFFIRMATION DE FAIT, ÉNONCÉE OU IMPLICITE, AUTRE QUE CE QUI EST ÉNONCÉ DANS LA « GARANTIE LIMITÉE » CI-DESSUS N'EST FAITE OU AUTORISÉE PAR DAYTON.

Désistement sur les conseils techniques et les recommandations. Peu importe les pratiques ou négociations antérieures ou les usages commerciaux, les ventes n'incluent pas l'offre de conseils techniques ou d'assistance ou encore de conception de système. Dayton n'a aucune obligation ou responsabilité quant aux recommandations non autorisées, aux opinions et aux suggestions relatives au choix, à l'installation ou à l'utilisation des produits.

Conformité du produit. De nombreuses juridictions ont des codes et règlements qui gouvernent les ventes, constructions, installations et/ou utilisations de produits pour certains usages qui peuvent varier par rapport à ceux d'une zone voisine. Bien que Dayton essaie de s'assurer que ses produits s'accordent avec ces codes, Dayton ne peut garantir cet accord, et ne peut être jugée responsable pour la façon dont le produit est installé ou utilisé. Avant l'achat et l'usage d'un produit, revoir les applications de ce produit, ainsi que tous les codes et règlements nationaux et locaux applicables, et s'assurer que le produit, son installation et son usage sont en accord avec eux.

Certains aspects de désistement ne sont pas applicables aux produits pour consommateur; ex : (a) certaines juridictions ne permettent pas l'exclusion ou la limitation des dommages indirects ou fortuits et donc la limitation ou exclusion ci-dessus peut ne pas s'appliquer dans le cas présent; (b) également, certaines juridictions n'autorisent pas de limitations de durée de la garantie implicite, en conséquence, la limitation ci-dessus peut ne pas s'appliquer dans le cas présent; et (c) par force de loi, pendant la période de cette Garantie Limitée, toutes garanties impliquées de commerciabilité ou d'adaptabilité à un besoin particulier applicables aux produits de consommateurs achetés par des consommateurs, peuvent ne pas être exclues ni autrement désistées.

Disposition prompte. Un effort de bonne foi sera fait pour corriger ou ajuster rapidement tout produit prouvé défectueux pendant la période de la garantie limitée. Pour tout produit considéré défectueux pendant la période de garantie limitée, contacter tout d'abord le concessionnaire où l'appareil a été acheté. Le concessionnaire doit donner des instructions supplémentaires. S'il est impossible de résoudre le problème de façon satisfaisante, écrire à Dayton à l'adresse ci-dessous, en indiquant le nom et l'adresse du concessionnaire, la date et le numéro de la facture du concessionnaire, et en décrivant la nature du défaut. Le titre et le risque de perte passent à l'acheteur au moment de la livraison par le transporteur. Si le produit a été endommagé pendant le transport, une réclamation doit être faite auprès du transporteur.

Fabriqué pour Dayton Electric Mfg. Co., 5959 W. Howard St., Niles, Illinois 60714-4014 États-Unis