

Parts Manual

Floor Type Gas Convection Steamer



Series: SteamCraft Model 24CGP10

1333 East 179th Street
Cleveland, Ohio 44110

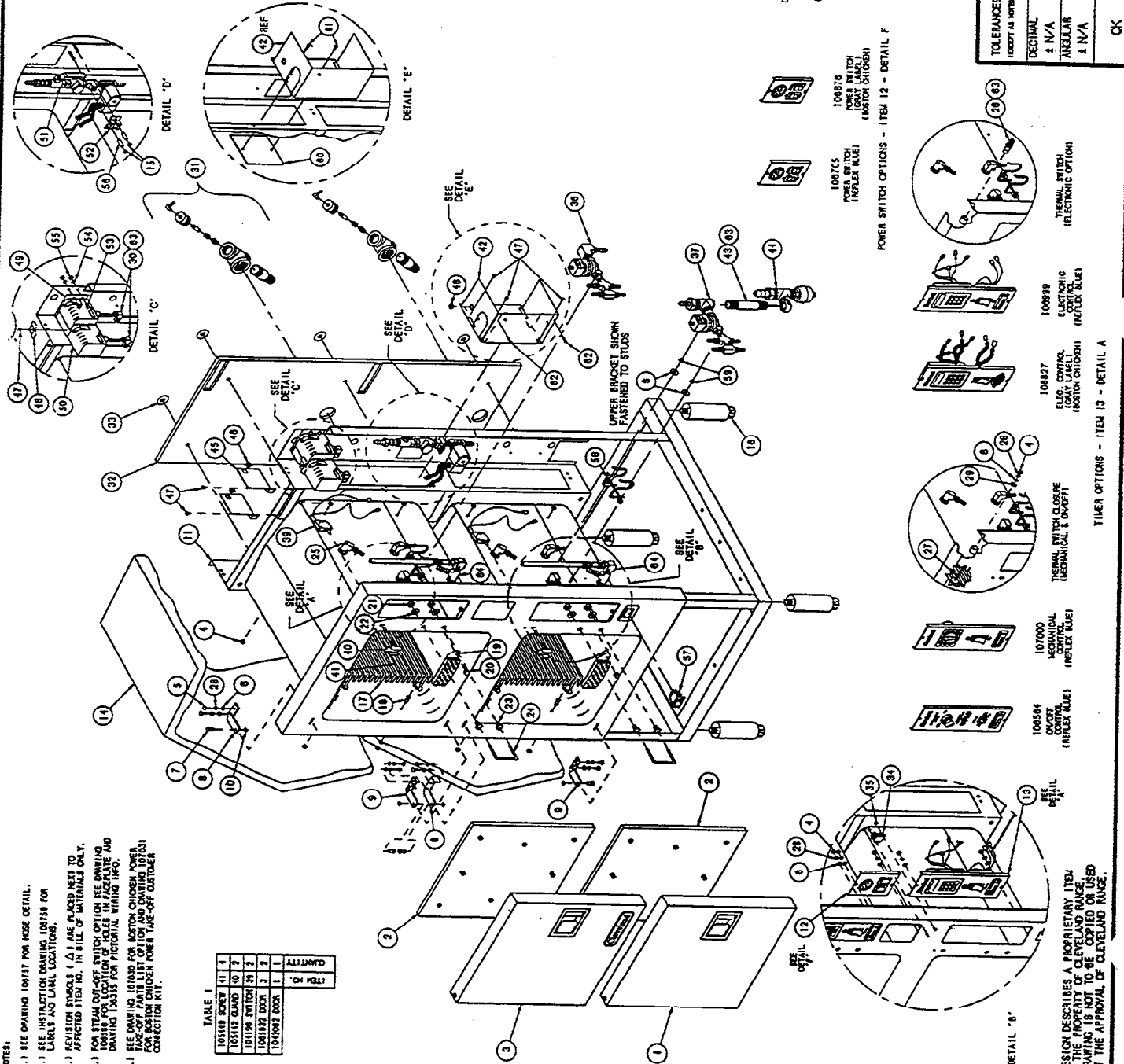
Phone: (216) 481-4900
1-800-338-2204

Fax: (216) 481-3782
www.clevelandrange.com

 Cleveland

LET.	REVISIONS	E	BT
A	ADDED PARTS PER E.O. 12819	05-09-94 PJD	
B	SEE E.O. 14-2889	07-05-94 PJD	
C	SEE E.O. 14-2892	12-05-94 PJD	

41	2	107639	BREATHER/KNIFE HOIST ASST. 12" X 13" HOSE
42	2	108124	BEAMANT, RECTANGULAR
43	2	108126	BERRY, TORX HEAD, 1/4"
44	2	108170	BERRY, TORX HD. 1/4" X 28 X .135, 1/8"
45	2	108817	PLATE ASST'Y, FRONT ROUSSEAU SUPPORT
46	2	108817	PLATE ASST'Y, FRONT ROUSSEAU SUPPORT
47	2	108772	NUT, LOCK ELASTIC
48	2	108772	NUT, LOCK ELASTIC
49	2	108772	NUT, LOCK ELASTIC
50	2	108772	NUT, LOCK ELASTIC
51	2	108772	NUT, LOCK ELASTIC
52	2	108772	NUT, LOCK ELASTIC
53	2	108772	NUT, LOCK ELASTIC
54	2	108772	NUT, LOCK ELASTIC
55	2	108772	NUT, LOCK ELASTIC
56	2	108772	NUT, LOCK ELASTIC
57	2	108772	NUT, LOCK ELASTIC
58	2	108772	NUT, LOCK ELASTIC
59	2	108772	NUT, LOCK ELASTIC
60	2	108772	NUT, LOCK ELASTIC
61	2	108772	NUT, LOCK ELASTIC
62	2	108772	NUT, LOCK ELASTIC
63	2	108772	NUT, LOCK ELASTIC
64	2	108772	NUT, LOCK ELASTIC
65	2	108772	NUT, LOCK ELASTIC
66	2	108772	NUT, LOCK ELASTIC
67	2	108772	NUT, LOCK ELASTIC
68	2	108772	NUT, LOCK ELASTIC
69	2	108772	NUT, LOCK ELASTIC
70	2	108772	NUT, LOCK ELASTIC
71	2	108772	NUT, LOCK ELASTIC
72	2	108772	NUT, LOCK ELASTIC
73	2	108772	NUT, LOCK ELASTIC
74	2	108772	NUT, LOCK ELASTIC
75	2	108772	NUT, LOCK ELASTIC
76	2	108772	NUT, LOCK ELASTIC
77	2	108772	NUT, LOCK ELASTIC
78	2	108772	NUT, LOCK ELASTIC
79	2	108772	NUT, LOCK ELASTIC
80	2	108772	NUT, LOCK ELASTIC
81	2	108772	NUT, LOCK ELASTIC
82	2	108772	NUT, LOCK ELASTIC
83	2	108772	NUT, LOCK ELASTIC
84	2	108772	NUT, LOCK ELASTIC
85	2	108772	NUT, LOCK ELASTIC
86	2	108772	NUT, LOCK ELASTIC
87	2	108772	NUT, LOCK ELASTIC
88	2	108772	NUT, LOCK ELASTIC
89	2	108772	NUT, LOCK ELASTIC
90	2	108772	NUT, LOCK ELASTIC
91	2	108772	NUT, LOCK ELASTIC
92	2	108772	NUT, LOCK ELASTIC
93	2	108772	NUT, LOCK ELASTIC
94	2	108772	NUT, LOCK ELASTIC
95	2	108772	NUT, LOCK ELASTIC
96	2	108772	NUT, LOCK ELASTIC
97	2	108772	NUT, LOCK ELASTIC
98	2	108772	NUT, LOCK ELASTIC
99	2	108772	NUT, LOCK ELASTIC
100	2	108772	NUT, LOCK ELASTIC



- NOTES:
- 1.) SEE DRAWING 10157 FOR HOSE DETAIL.
 - 2.) SEE INSTRUCTION DRAWING 100188 FOR LABELS AND LABEL LOCATIONS.
 - 3.) REVISIONS (A) ARE PLACED NEXT TO AFFECTED ITEM NO. IN BILL OF MATERIALS ONLY.
 - 4.) FOR RETAIL OPTION SWITCH OPTION SEE DRAWING 100188 FOR PICTORIAL WIRING INFO AND DRAWING 100135 FOR PICTORIAL WIRING INFO.
 - 5.) SEE DRAWING 100130 FOR MOTOR CHUCKER PUMP. FOR BOSTON CHOSEN POWER TAKE-OFF OUTLINE CONNECTION KIT.

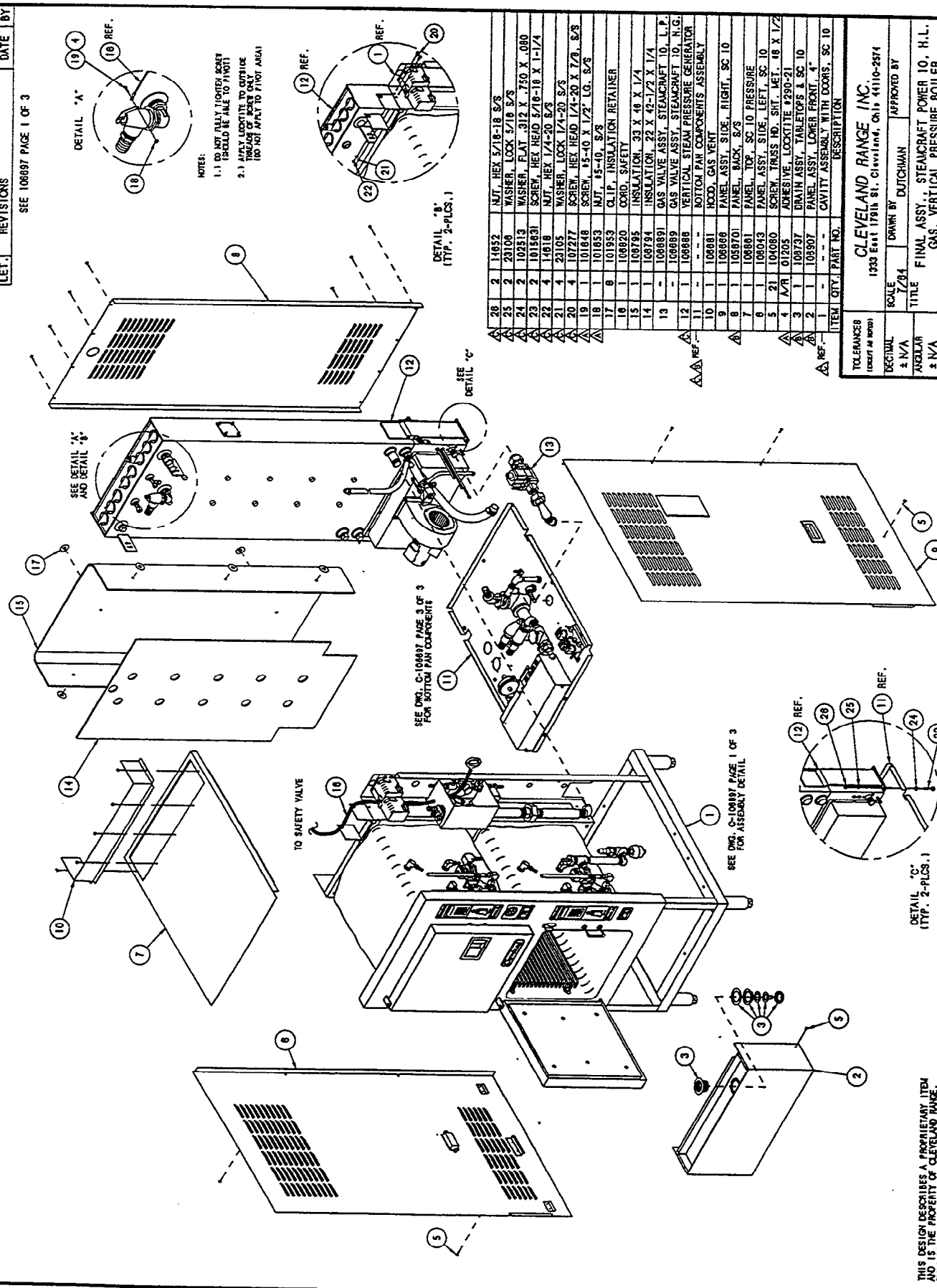
ITEM NO.	DESCRIPTION
108119	DOOR
108120	GUARD
108121	SWITCH
108122	DOOR
108123	DOOR
108124	DOOR

TOLEANCES (EXCEPT AS NOTED)	
DECIMAL	± N/A
ANGULAR	± N/A
DATE	03-01-94
DRAWING NO.	C - 106697
PAGE	1 REV.
APPROVED BY	DUTCHMAN
DRAWN BY	
SCALE	1/8"
TITLE	FINAL ASSY., STEAMCRAFT POWER 10, H.L. GAS, VERTICAL PRESSURE BOILER

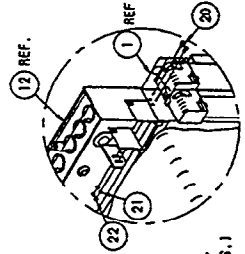
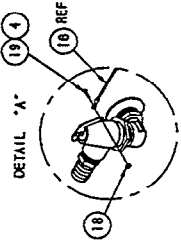
DESCRIPTION	108705	100876	100899	100827	107000	100584	100584	100584
	POWER SWITCH	POWER SWITCH	ELECTRONIC CONTROL	ELEC. CONTROL	TERMINAL ENTRY	CONTROL	CONTROL	CONTROL
	(MAY BE MAINLY)	(MAY BE MAINLY)	(MAY BE MAINLY)	(MAY BE MAINLY)	(MAY BE MAINLY)	(MAY BE MAINLY)	(MAY BE MAINLY)	(MAY BE MAINLY)
	(MAY BE MAINLY)	(MAY BE MAINLY)	(MAY BE MAINLY)	(MAY BE MAINLY)	(MAY BE MAINLY)	(MAY BE MAINLY)	(MAY BE MAINLY)	(MAY BE MAINLY)
	(MAY BE MAINLY)	(MAY BE MAINLY)	(MAY BE MAINLY)	(MAY BE MAINLY)	(MAY BE MAINLY)	(MAY BE MAINLY)	(MAY BE MAINLY)	(MAY BE MAINLY)
	(MAY BE MAINLY)	(MAY BE MAINLY)	(MAY BE MAINLY)	(MAY BE MAINLY)	(MAY BE MAINLY)	(MAY BE MAINLY)	(MAY BE MAINLY)	(MAY BE MAINLY)

THIS DESIGN DESCRIBES A PROPRIETARY ITEM THE PROPERTY OF CLEVELAND RANGE. THIS DRAWING IS NOT TO BE COPIED OR USED WITHOUT THE APPROVAL OF CLEVELAND RANGE.

SEE 106697 PAGE 1 OF 3



NOTES:
 1. DO NOT BURY TIGHTENING
 SHOULD BE MADE TO MATCH
 2. ALL LOCKWIRE TO OUTSIDE
 (DO NOT APPLY TO PIVOT AREA)



SEE DETAIL "C"
 (TYP. 2-PLCS.)

SEE ENG. C-106697, PAGE 3 OF 3
 FOR BOTTOM PAN COMPONENTS

SEE ENG. C-106697, PAGE 1 OF 3
 FOR ASSEMBLY DETAIL

DETAIL "C"
 (TYP. 2-PLCS.)
 REF. 11, 12, 13, 14, 15, 16, 17, 18, 19, 20, 21, 22, 23, 24, 25

THIS DESIGN DESCRIBES A PROPRIETARY ITEM
 AND IS THE PROPERTY OF CLEVELAND RANGE.
 THIS DRAWING IS NOT TO BE COPIED OR USED
 WITHOUT THE APPROVAL OF CLEVELAND RANGE.

ITEM	QTY.	PART NO.	DESCRIPTION
28	2	14852	NUT, HEX 5/16-18 S/S
25	2	23106	WASHER, LOCK 5/16 S/S
24	2	102513	WASHER, FLAT .312 X .750 X .080
23	2	1015030	SCREW, HEX HEAD 5/16-18 X 1-1/4
22	4	14818	NUT, HEX 1/4-20 S/S
21	4	23105	WASHER, LOCK 1/4-20 S/S
20	4	102177	SCREW, HEX HEAD 1/4-20 X 7/8 S/S
19	1	101848	SCREW, 1/2-40 X 1/2 LG. S/S
18	1	101853	NUT, 1/2-40 S/S
17	8	101953	CLIP, INSULATION RETAINER
16	1	106920	CORD, SAFETY
15	1	106795	INSULATION, 33 X 46 X 1/4
14	1	106794	INSULATION, 22 X 42-1/2 X 1/4
13	-	106899	GAS VALVE ASSY, STEAMCRAFT 10, I.P.
12	-	106899	GAS VALVE ASSY, STEAMCRAFT 10, N.G.
11	-	106898	VERTICAL STEAM PRESSURE GENERATOR
10	-	106898	BOTTOM PAN COMPONENTS ASSEMBLY
9	1	106881	HOOD, GAS VENT
8	1	106899	PANEL, ASSY, SIDE, RIGHT, SC 10
7	1	1069701	PANEL, BACK, S/S
6	1	106881	PANEL, TOP, SC 10 PRESSURE
5	1	106043	PANEL, ASSY, SIDE, LEFT, SC 10
4	1	104080	SCREW, TRUSS HD, SHIT, MET, 1/8 X 1/2
3	1	106737	ADHESIVE, LOCKTITE #250-21
2	1	106807	DRAIN ASSY, TABLETOPS & SC 10
1	1	106807	PANEL ASSY, LOWER FRONT, 4"
REF.	1	-	CAVITY ASSEMBLY WITH DOORS, SC 10

CLEVELAND RANGE INC.
 1933 East 179th St., Cleveland, Ohio 44110-2574

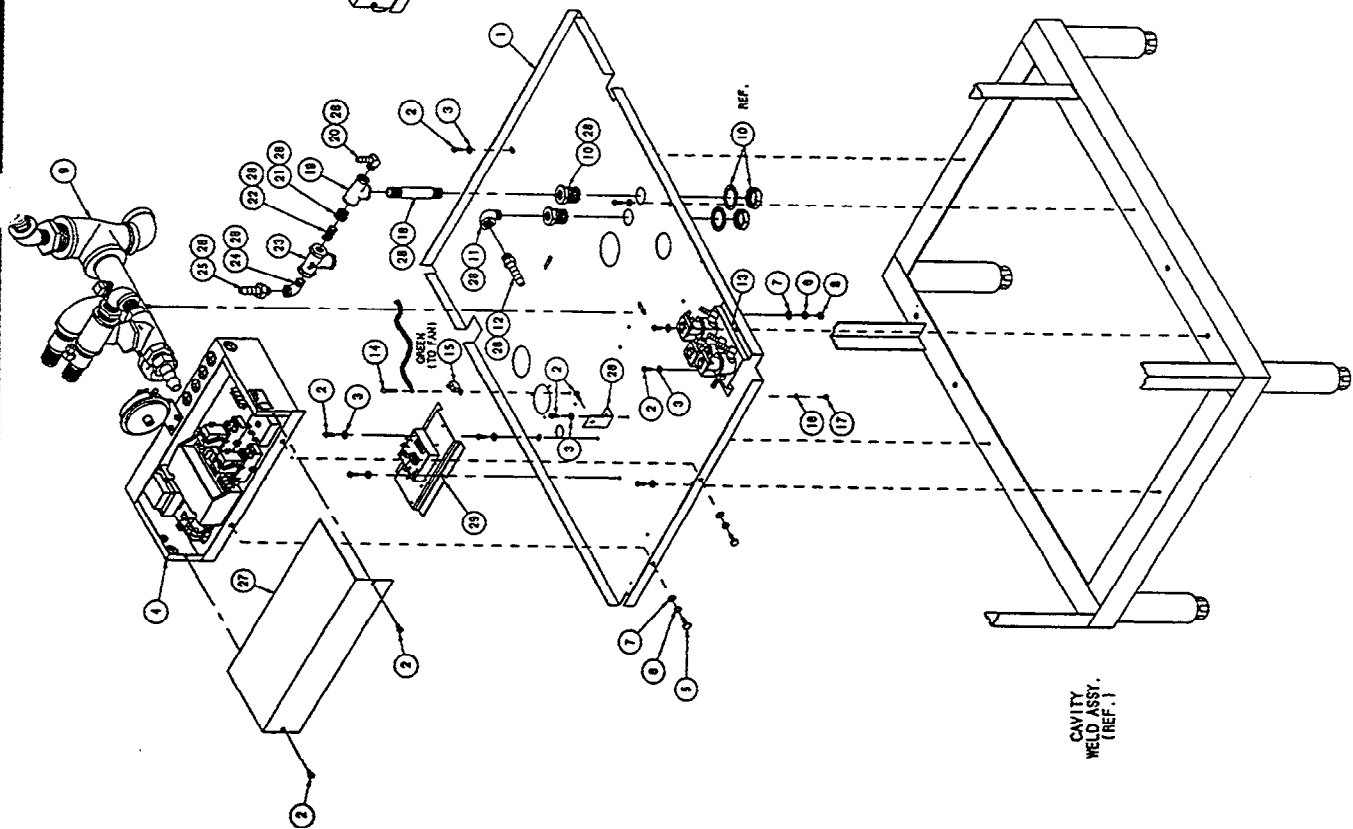
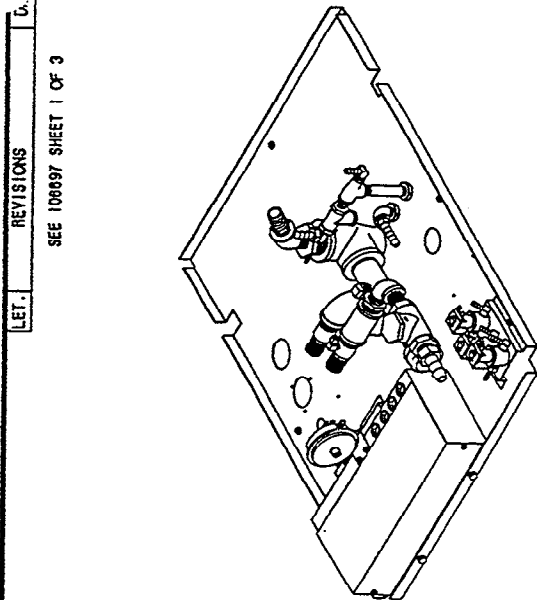
SCALE: 7/8" = 1"
 DRAWN BY: DUTCHMAN
 APPROVED BY: [Signature]

TITLE: FINAL ASSY., STEAMCRAFT POWER 10, H.L.
 GAS, VERTICAL PRESSURE BOILER

DATE: 02-21-94
 DRAWING NO.: C-106697
 PAGE 2 OF 3

TOLERANCES (UNLESS AS NOTED):
 DECIMAL ± .015
 ANGULAR ± N/A

CK



CAVITY WELD ASSY. (REF. 1)

ITEM	QTY.	PART NO.	DESCRIPTION
29	1	107072	CLEAN LIGHT TIMER PLATE, SC POWER 10
28	A/R	00934	ADHESIVE, RECTORSEAL
27	1	108809	COVER, ELECTRIC BOX
26	1	105955	BRACKET, CONTROL MOUNT, GAS
25	1	104048	FITTING, HOSE 1/4 NPT X 1/2 H. STR.
24	1	05229	ELBOW, STREET 1/4 X 90°
23	1	19870	STRAINER, 1/4
22	1	14304	NIPPLE, 1/4 X CLOSE
21	1	02594	BUSHING, 3/8 X 1/4
20	1	105786	FITTING, HOSE 1/4 NPT X 1/4 H. 90°
19	1	100527	TEE, 3/8 X 1/4 X 3/8, BRASS
18	1	14320	NIPPLE, 3/8 X 1, BRASS
17	1	14659	NUT, HEX 10-24, S/S
16	1	23114	WASHER, LOCK, INT. TOOTH #10
15	1	20304	LUG, GROUND, SOLDERLESS
14	1	19287	SCREW, RD HD SLTD, #10-24 X 1/2
13	1	105381	WATER INLET ASSY.
12	1	100746	FITTING, HOSE, 3/8 NPT X 1/2 H. STR.
11	1	05280	ELBOW, STREET, 3/8 X 90°, BRASS
10	2	105764	FITTING, BULKHEAD, 3/8 NPT, BRASS
9	1	106668	DRAIN MANIFOLD ASSY., SC10, GAS, VP8
8	1	14818	NUT, HEX, 1/4-20, S/S
7	3	23116	WASHER, FLAT, 1/4, S/S
6	3	23105	WASHER, SPLIT LOCK, 1/4, S/S
5	2	19170	SCREW, HEX HD, 1/4-20 X 5/8, S/S
4	1	108785	ELECTRIC BOX ASSY., SC 10, PRESSURE
3	9	101655	WASHER, FLAT #10, S/S
2	12	108123	SCREW, TORX/SLOT 10-32 X 1/2
1	1	105687	PAN, BOTTOM, STEAMCRAFT 10

CLEVELAND RANGE INC.
 1333 East 178th St., Cleveland, Ohio 44110-2374

SCALE: 3/16" = 1"
 DRAWN BY: DUTCHMAN
 APPROVED BY:

TITLE: FINAL ASSY., STEAMCRAFT POWER 10, H.L. GAS, VERTICAL PRESSURE BOILER

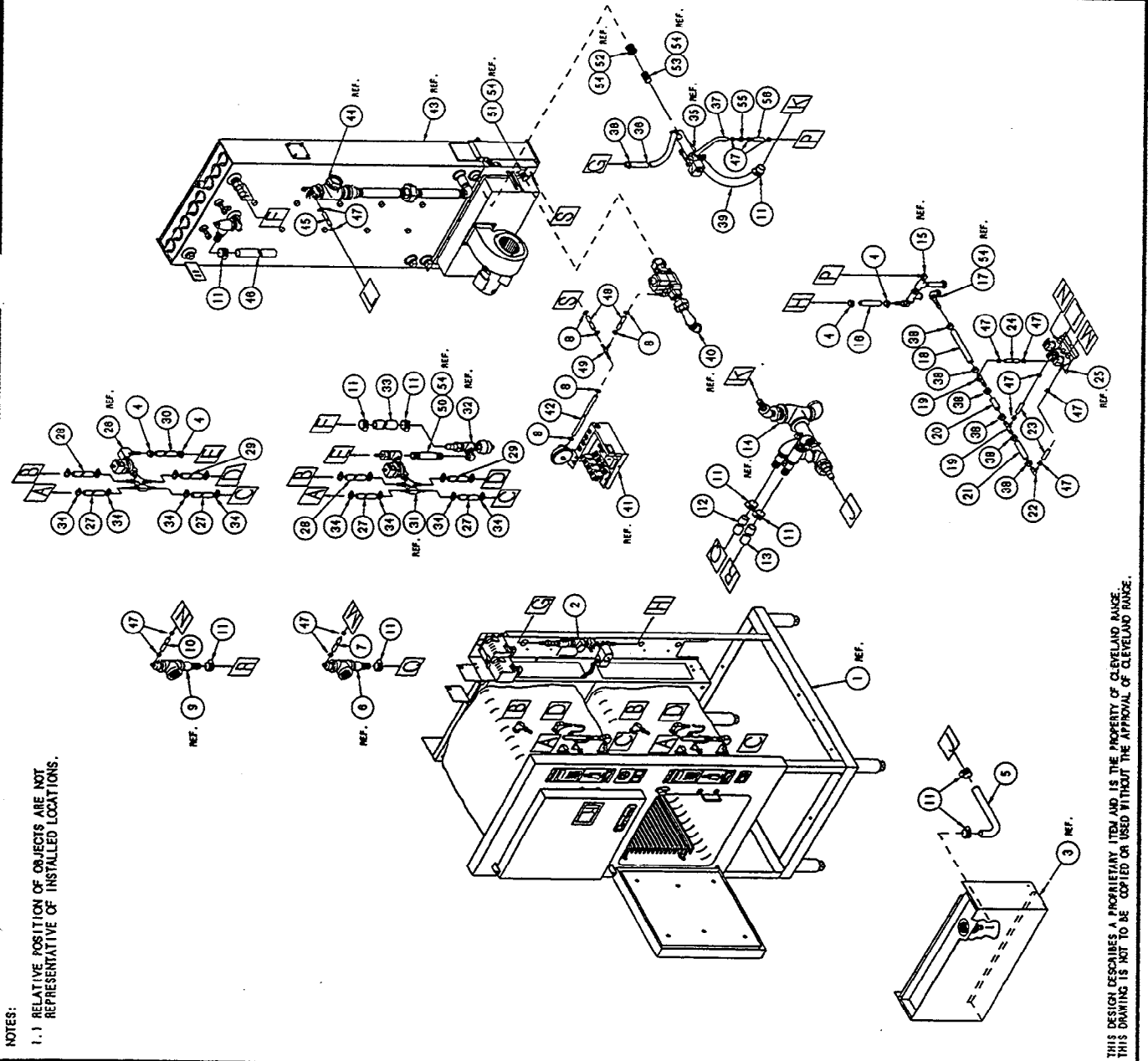
DATE: 02-21-94
 DRAWING NO.: C - 106697
 REV. PAGE 3 OF 3

THIS DESIGN DESCRIBES A PROPRIETARY ITEM AND IS THE PROPERTY OF CLEVELAND RANGE. THIS DRAWING IS NOT TO BE COPIED OR USED WITHOUT THE APPROVAL OF CLEVELAND RANGE.

LET.	REVISIONS	BY
A	SEE E.O. 10-2868	07-05-9 (PJC)
B	SEE E.O. 10-2882	12-05-9 (PJC)

ITEM	QTY	PART NO.	DESCRIPTION
38	1	1058500200	HOSE, NT-80, 1/4" I.D. X 1/2" O.D. X 2' LG.
39	1	107032	CHECK VALVE, PLASTIC DIAPHRAGM
40	1	00984	SEALANT, RECTOPRENE
41	1	14343	RIPPLE, 3/4" X CLOSE, BLACK
42	1	02598	BUSHING, HEK, 1" X 3/4"
43	1	104840	MANIFOLD ASSY, GAS 250,000 BTD BOILER
44	1	14358	RIPPLE, 3/4" X 8' LG.
45	1	105781	FITTING, HOSE, TEE, 1/4"
46	1	1043791000	HOSE, SILICONE 1/4" ID X 1/2" OD X 10' LG
47	1	1044690000	HOSE, EPDM, BLACK, 1" ID X 80" LG.
48	1	1048504800	HOSE, NT-80, 1/4" ID X 1/2" OD X 48" LG
49	1	106950	FLOAT ASSEMBLY
50	1	103728200	GENERATOR ASSEMBLY, SC 10 GAS PRESSURE
51	1	105902	ELECTRIC BOX ASSEMBLY
52	1	1054890500	HOSE, EPDM, BLACK, 1" ID X 8.5' LG.
53	1	1049219	CLAMP, WORK DRIVE 1/4" TO 3/2" DIA.
54	1	1048500000	HOSE, NT-80, 1/4" ID X 1/2" OD X 8' LG
55	1	1054844000	HOSE, NT-80, 1/2" ID X 3/4" OD X 41" LG
56	1	106687	VALVE ASSY, DRAIN
57	1	107093	CLAMP, HOSE, METAL TENSION BAND 3/4"
58	1	085055150	HOSE, DARIPTREEN 3/4" ID X 51.500" LG.
59	1	106693	STEAM OUTLET ASSY.
60	1	106692	STEAM INLET ASSY, LOWER COMPARTMENT
61	1	1040419510	HOSE, DARIPTREEN 1/2" ID X 3/4" OD X 19.500
62	1	1052761050	HOSE, SILICONE 3/8" ID X 10.000" LG
63	1	1052761000	HOSE, SILICONE 3/8" ID X 12' LG
64	1	105276073	HOSE, SILICONE 3/8" ID X 4.750" LG
65	1	106091	WATER INLET ASSY, UPPER COMPARTMENT
66	1	105981	WATER INLET ASSY TO FLOAT & COMPTS.
67	1	1058501100	HOSE, NT-80, 1/4" ID X 1/2" OD X 11' LG
68	1	1058500500	HOSE, NT-80, 1/4" ID X 1/2" OD X 2' LG
69	1	105792	FITTING, ELKOW 90°, 1/4" H X 1/2" H
70	1	1058490300	HOSE, NT-80, 1/2" ID X 3/4" OD X 3.000 LG
71	1	1058490200	HOSE, NT-80, 1/2" ID X 3/4" OD X 2.000 LG
72	1	1058490800	HOSE, NT-80, 1/2" ID X 3/4" OD X 8.500 LG
73	1	1051492800	WATER INLET ASSY.
74	1	1051492800	HOSE, NT-80, 1/2" ID X 3/4" OD X 78" LG.
75	1	104688	DRAIN MANIFOLD ASSY, SC10 GAS PRESSURE
76	1	1051492800	WATER INLET TO DRAIN VALVE & WATER TREE
77	1	1051492800	HOSE, NT-80, 1/2" ID X 3/4" OD X 41" LG.
78	1	1051492800	HOSE, EPDM, BLACK, 1" ID X 21' LG.
79	1	1051492800	CLAMP, WORK DRIVE 8/19" TO 1.500" DIA.
80	1	1058504800	HOSE, NT-80, 1/4" ID X 1/2" OD X 48" LG.
81	1	1043791000	HOSE, SILICONE 1/4" ID X 1/2" OD X 10' LG
82	1	1044690000	HOSE, EPDM, BLACK, 1" ID X 80" LG.
83	1	107010	HOSE, TRAY DRAIN, 3/4" I.D. BLACK EPDM
84	1	03208	CLAMP, WORK DRIVE, 1/2"-28/32" DIA.
85	1	106687	VALVE ASSY, LOWER FRONT, SC 10
86	1	106702	WATER FEED ASSY.
87	1	106687	VALVE ASSY, LOWER FRONT, SC 10
88	1	106687	VALVE ASSY, LOWER FRONT, SC 10
89	1	106687	VALVE ASSY, LOWER FRONT, SC 10
90	1	106687	VALVE ASSY, LOWER FRONT, SC 10
91	1	106687	VALVE ASSY, LOWER FRONT, SC 10
92	1	106687	VALVE ASSY, LOWER FRONT, SC 10
93	1	106687	VALVE ASSY, LOWER FRONT, SC 10
94	1	106687	VALVE ASSY, LOWER FRONT, SC 10
95	1	106687	VALVE ASSY, LOWER FRONT, SC 10
96	1	106687	VALVE ASSY, LOWER FRONT, SC 10
97	1	106687	VALVE ASSY, LOWER FRONT, SC 10
98	1	106687	VALVE ASSY, LOWER FRONT, SC 10
99	1	106687	VALVE ASSY, LOWER FRONT, SC 10
100	1	106687	VALVE ASSY, LOWER FRONT, SC 10

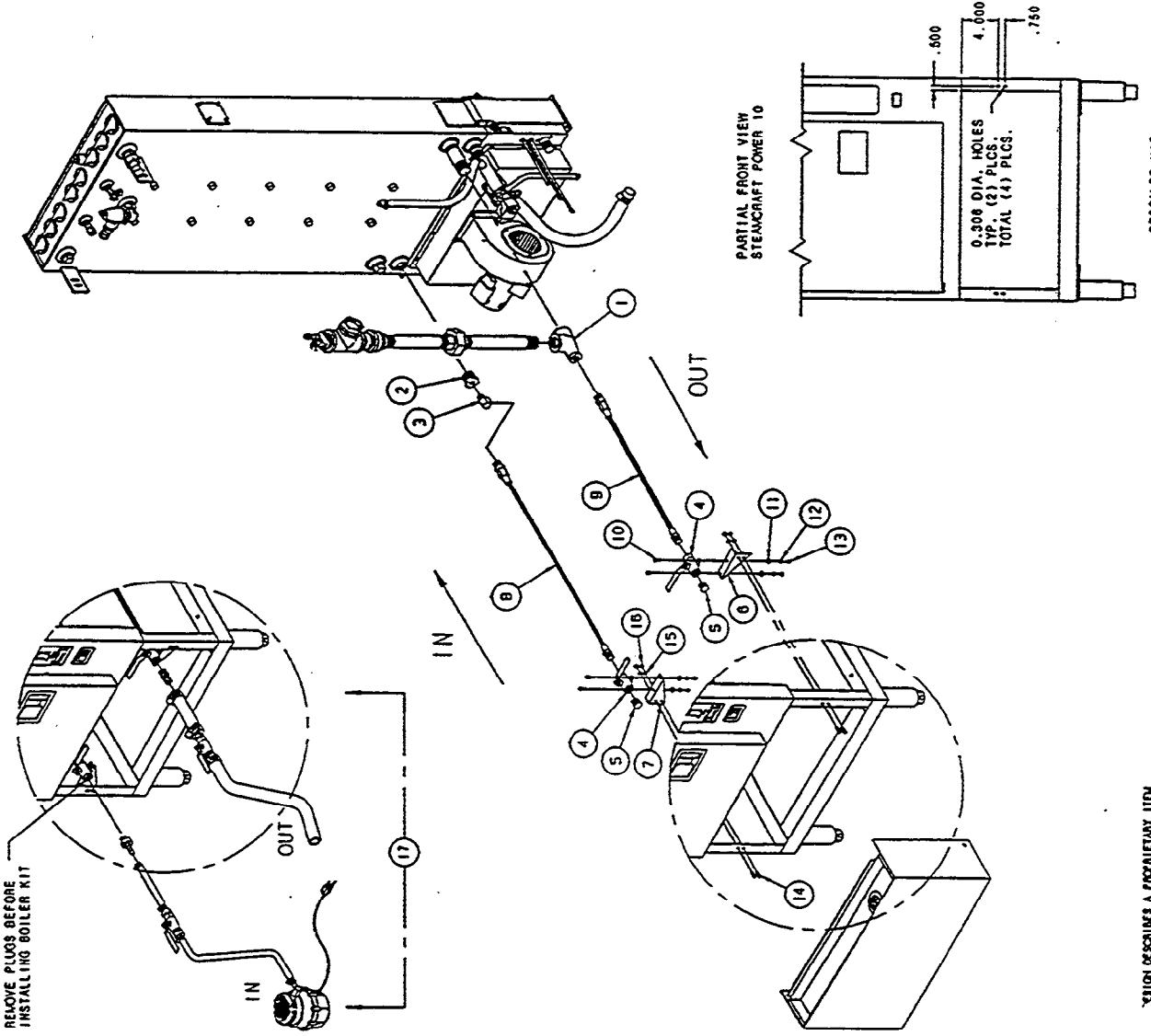
TOLERANCES (UNLESS OTHERWISE SPECIFIED)	CLEVELAND RANGE INC. 1333 East 179th St., Cleveland, Ohio 44110-2374	
DECIMAL	SCALE	DRAWN BY
± N/A	1/16"	DUTCHMAN
ANGULAR	TITLE	APPROVED BY
± N/A	HOSE DETAIL, STEAMCRAFT POWER 10, H.L. GAS, VERTICAL PRESSURE BOILER	
CK	DATE	DRAWING NO.
	02-28-94	C - 106757
		REV. B



NOTES:
1.1 RELATIVE POSITION OF OBJECTS ARE NOT REPRESENTATIVE OF INSTALLED LOCATIONS.

THIS DESIGN DESCRIBES A PROPRIETARY ITEM AND IS THE PROPERTY OF CLEVELAND RANGE. THIS DRAWING IS NOT TO BE COPIED OR USED WITHOUT THE APPROVAL OF CLEVELAND RANGE.

LET.	REVISIONS	DATE BY
-	NEW RELEASE PER E.O. 12812	12-08-84/PJD

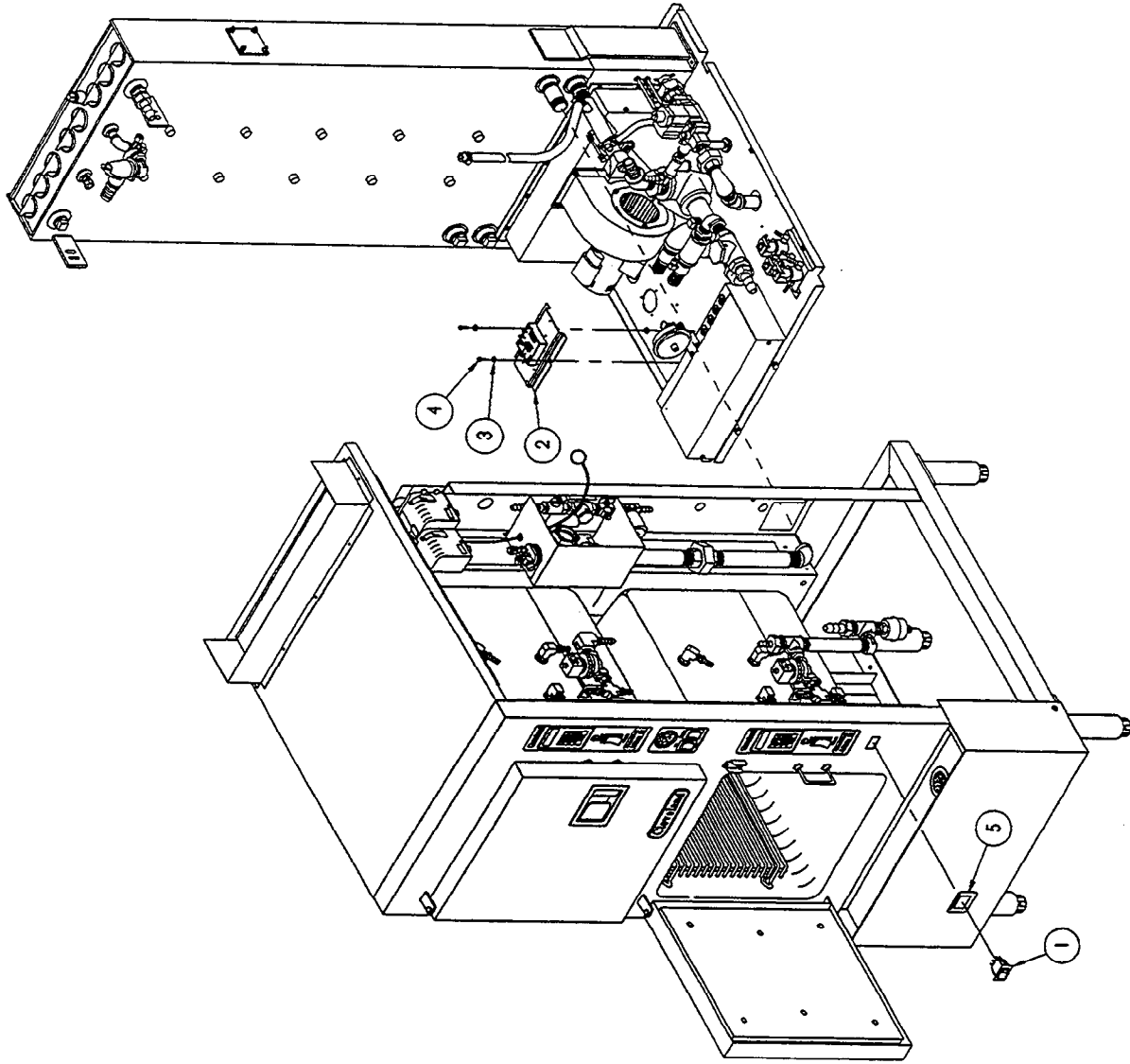


ITEM	QTY.	PART NO.	DESCRIPTION
17	1	107142	NUT, BOILER, DESCALER, PORTABLE
16	4	14818	NUT, HEX 1/4-20
15	4	23105	WASHER, LOCK 1/4"
14	4	18170	SCREW, HEX HEAD 1/4-20 X .825" LG.
13	4	14815	NUT, HEX #10-32
12	4	23113	WASHER, LOCK #10
11	4	101866	WASHER, FLAT #10
10	4	108124	SCREW, PAN HEAD #10-32 X 1" LG.
9	1	107223	HOSE ASSY, TEFLON, 5/8 BRAIDED 1/2"
8	1	107222	HOSE ASSY, TEFLON, 5/8 BRAIDED 1/2"
7	1	1072131	BRACKET, BALL VALVE MOUNTING, L.H.
6	1	1072130	BRACKET, BALL VALVE MOUNTING, R.H.
5	2	16809	PLUG, HEX HEAD 1/2" PIPE
4	2	107221	BALL VALVE W/ MOUNTING TABS
3	1	05260	ELBOW, STREET 3/8" BRASS
2	1	02826	BUSHING, REDUCER 1" X 3/8" BRASS
1	1	100223	TEE, 1" X 1/2" X 1", BLACK

CLEVELAND RANGE, INC.		1333 East 171st St., Cleveland, Ohio 44110-3371
SCALE	1/2"	APPROVED BY
TITLE	DESCALER KIT	DRAWN BY
DATE	10-17-84	STEAMCRAFT POWER
CK	DATE	DRWING NO. C - 10114

THIS DRAWING IS A PROPRIETARY ITEM OF CLEVELAND RANGE, INC. IT IS NOT TO BE COPIED OR USED WITHOUT THE WRITTEN PERMISSION OF CLEVELAND RANGE, INC.

LET. REVISIONS DATE BY



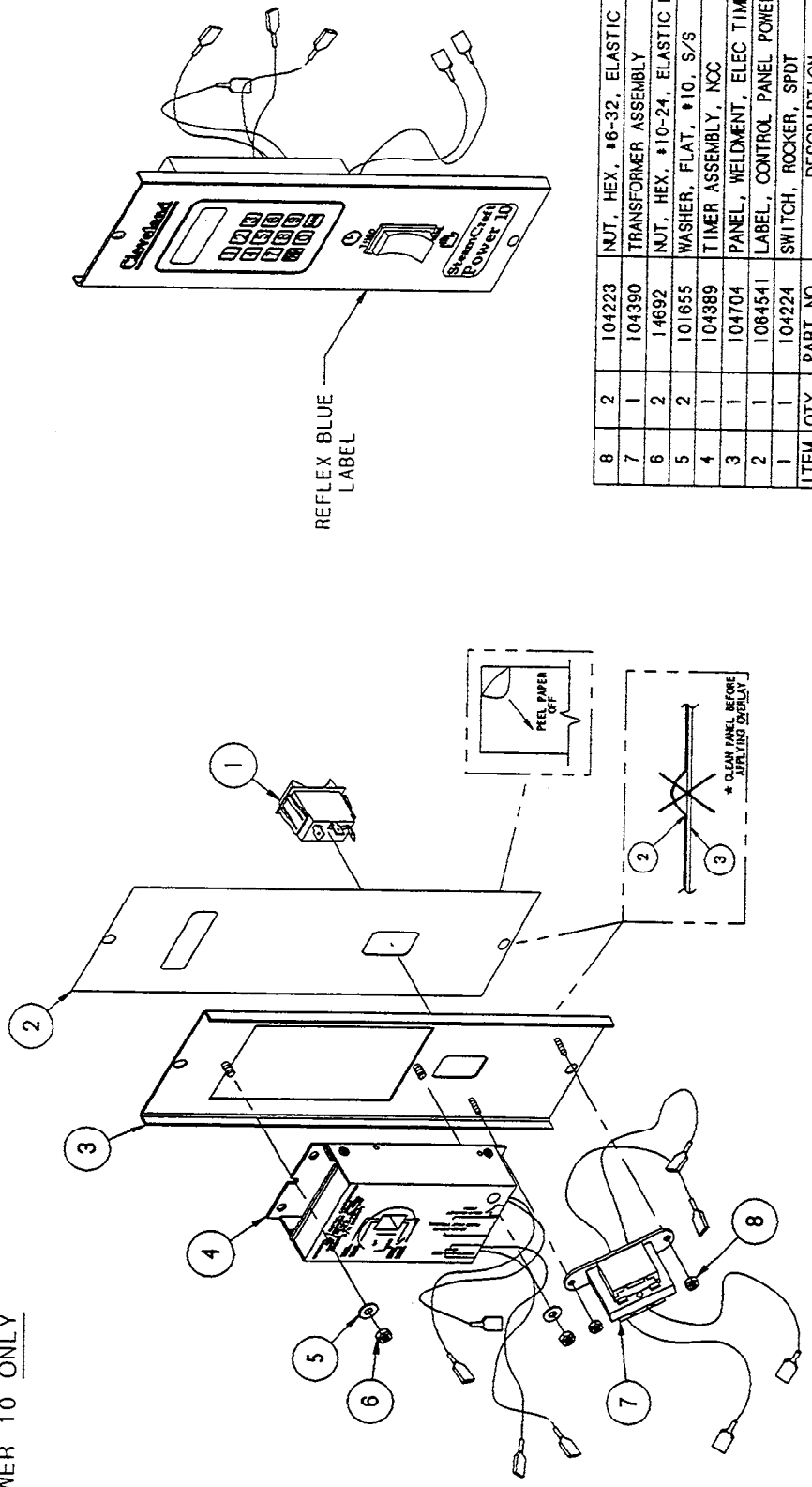
ITEM	QTY.	PART NO.	DESCRIPTION
5	1	107011	LABEL, CLEAN LIGHT
4	2	108123	SCREEN, TORX/SLOT 10-32 X 1/2
3	2	101655	WASHER, FLAT #10 S/S
2	1	107072	CLEAN LIGHT TIMER PLATE, SC POWER 10
1	1	19994	SWITCH, ROCKER, SPST

TOLERANCES (UNLESS OTHERWISE SPECIFIED)	CLEVELAND RANGE, INC. 1333 East 179th St., Cleveland, Ohio 44110-2574	
DECIMAL ± N/A	SCALE 3/32"=1	DRAWN BY DUTCHMAN
FRACTIONAL ± N/A	APPROVED BY	
TITLES ± N/A	INSTRUCTION, INSTALLATION POWER 10 GAS CLEAN LIGHT AND TIMER PLATE	
CK	DATE 09-15-94	DRAWING NO. C - 260ALE
		REV. -

THIS DESIGN DESCRIBES A PROPRIETARY ITEM AND IS THE PROPERTY OF CLEVELAND RANGE, INC. IT IS TO BE KEPT IN CONFIDENTIALITY AND NOT REPRODUCED OR USED WITHOUT THE APPROVAL OF CLEVELAND RANGE.

STEAMCRAFT
POWER 10 ONLY

LET.	REVISIONS	DATE	BY
------	-----------	------	----



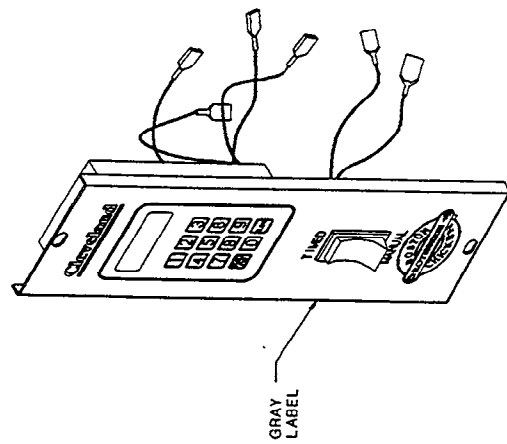
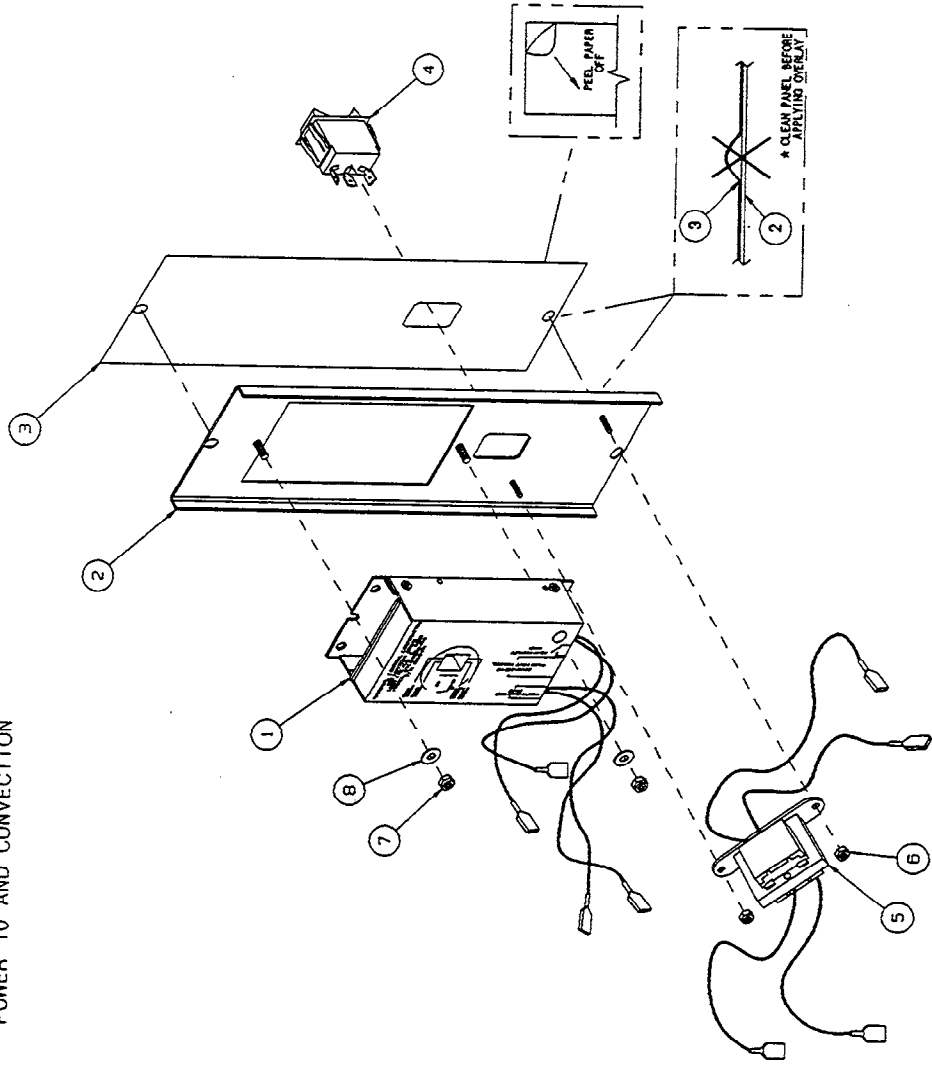
ITEM	QTY.	PART NO.	DESCRIPTION
8	2	104223	NUT, HEX, #6-32, ELASTIC LOCK
7	1	104390	TRANSFORMER ASSEMBLY
6	2	14692	NUT, HEX, #10-24, ELASTIC LOCK
5	2	101655	WASHER, FLAT, #10, S/S
4	1	104389	TIMER ASSEMBLY, NCC
3	1	104704	PANEL, WELDMENT, ELEC TIMER
2	1	1084541	LABEL, CONTROL PANEL POWER 10
1	1	104224	SWITCH, ROCKER, SPDT

CLEVELAND RANGE INC. 1333 East 179th St. Cleveland, Ohio 44110-2574	
SCALE	3/8"=1
DRAWN BY	DUTCHMAN
APPROVED BY	
TITLE	CONTROL PANEL, NCC TIMER STEAMCRAFT POWER 10
DATE	05-06-94
CK	B - 106999
REV.	-

THIS DESIGN DESCRIBES A PROPRIETARY ITEM AND IS THE PROPERTY OF CLEVELAND RANGE. THIS DRAWING IS NOT TO BE COPIED OR USED WITHOUT THE APPROVAL OF CLEVELAND RANGE.

LET. REVISIONS DATE BY

BOSTON CHICKEN ONLY
POWER 10 AND CONVECTION



8	2	101855	WASHER, FLAT #10
7	2	14692	NUT, HEX 10-24 ELASTIC LOCK
6	2	104223	NUT, HEX 6-32 ELASTIC LOCK
5	1	104390	TRANSFORMER ASSEMBLY
4	1	104224	SWITCH, ROCKER, SPOT MATTE FINISH
3	1	108738	LABEL, CONTRL. PANEL NCC (GRAY COLOR)
2	1	104704	PANEL, WELDMENT, NCC
1	1	104389	TIMER ASSEMBLY, NCC
ITEM QTY.		PART NO.	
DESCRIPTION			

TOLERANCES
(EXCEPT AS NOTED)

CLEVELAND RANGE INC.
1333 East 179th St. Cleveland, Ohio 44110-2574

DECIMAL SCALE 3/8=1

DRAWN BY DUTCHMAN

APPROVED BY

TITLE TIMER ASSEMBLY, NCC
BOSTON CHICKEN

DATE 05-06-94

CK

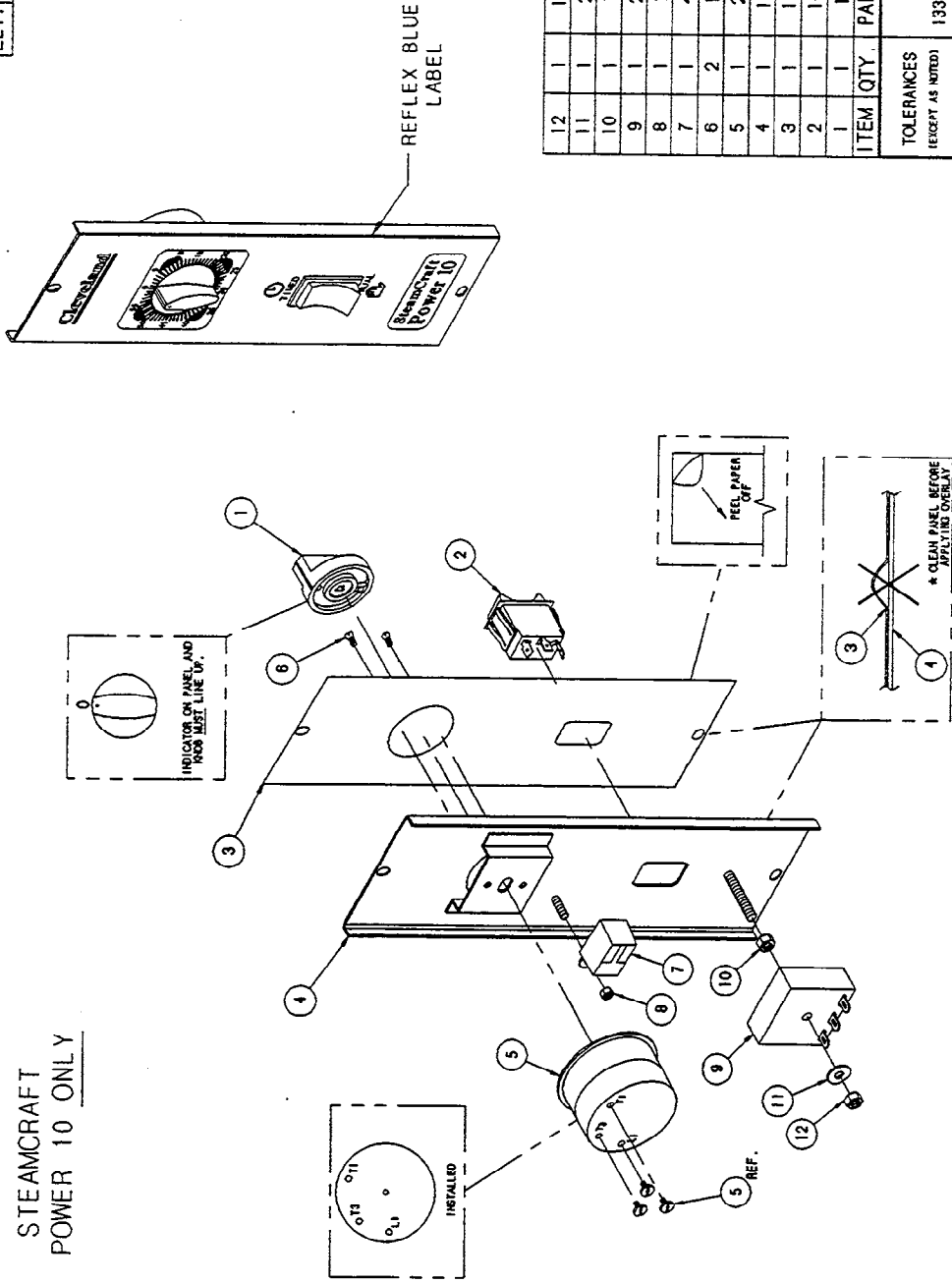
DRAWING NO. B - 106827

REV. -

THIS DESIGN DESCRIBES A PROPRIETARY ITEM AND IS THE PROPERTY OF CLEVELAND RANGE. THIS DRAWING IS NOT TO BE COPIED OR USED WITHOUT THE APPROVAL OF CLEVELAND RANGE.

LET. REVISIONS DATE BY

STEAMCRAFT
POWER 10 ONLY



ITEM	QTY.	PART NO.	DESCRIPTION
12	1	101873	NUT, HEX, 1/4-20, ELASTIC LOCK
11	1	23116	WASHER, FLAT, 1/4, S/S
10	1	14817	NUT, HEX, 1/4-20, BLACK OXIDE
9	1	20477	TIMER, SOLID STATE, 3 SEC
8	1	14892	NUT, HEX, 10-24, ELASTIC LOCK
7	1	41350	BUZZER ASSY, w/ TERMINALS
6	2	19201	SCREW, PAN HD, 5-40 x .250
5	1	20476	TIMER, 60 MIN, MECH. SWITCH
4	1	104958	PANEL, WELDMENT, MECH. TIMER
3	1	1065371	LABEL, CONTROL PANEL, MECH.
2	1	104224	SWITCH, ROCKER, SPDT
1	1	11307	KNOB, TIMER

TOLERANCES
(EXCEPT AS NOTED)

DECIMAL
± N/A

ANGULAR
± N/A

CK

DATE
05-08-94

DRAWING NO.
B - 107000

REV.
-

CLEVELAND RANGE INC.
1333 East 179th St. Cleveland, Ohio 44110-2574

SCALE
3/8"=1

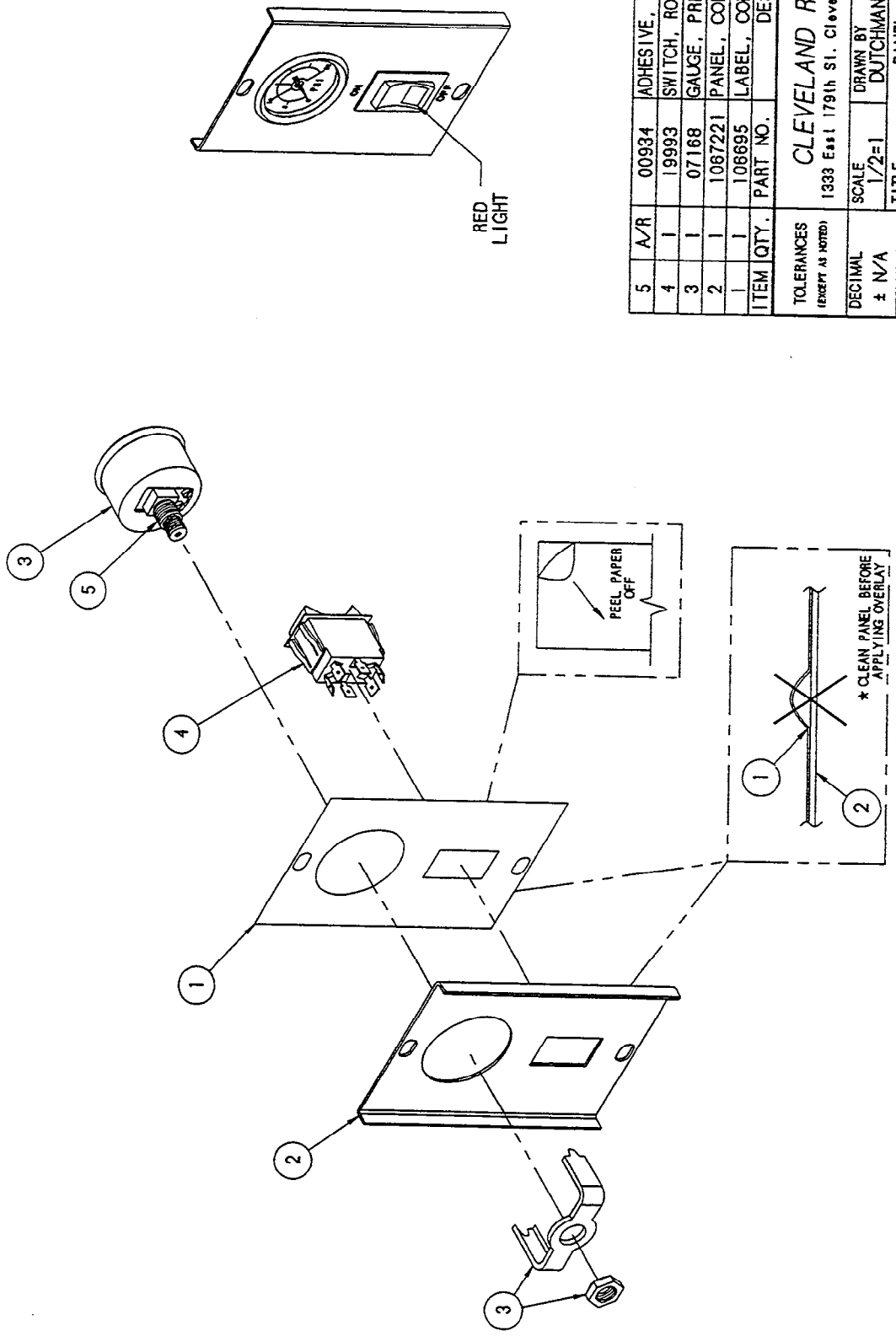
DRAWN BY
DUTCHMAN

APPROVED BY

TITLE
CONTROL PANEL, MECHANICAL TIMER
STEAMCRAFT POWER 10

THIS DESIGN DESCRIBES A PROPRIETARY ITEM AND IS THE PROPERTY OF CLEVELAND RANGE. THIS DRAWING IS NOT TO BE COPIED OR USED WITHOUT THE APPROVAL OF CLEVELAND RANGE.

LET. REVISIONS DATE BY

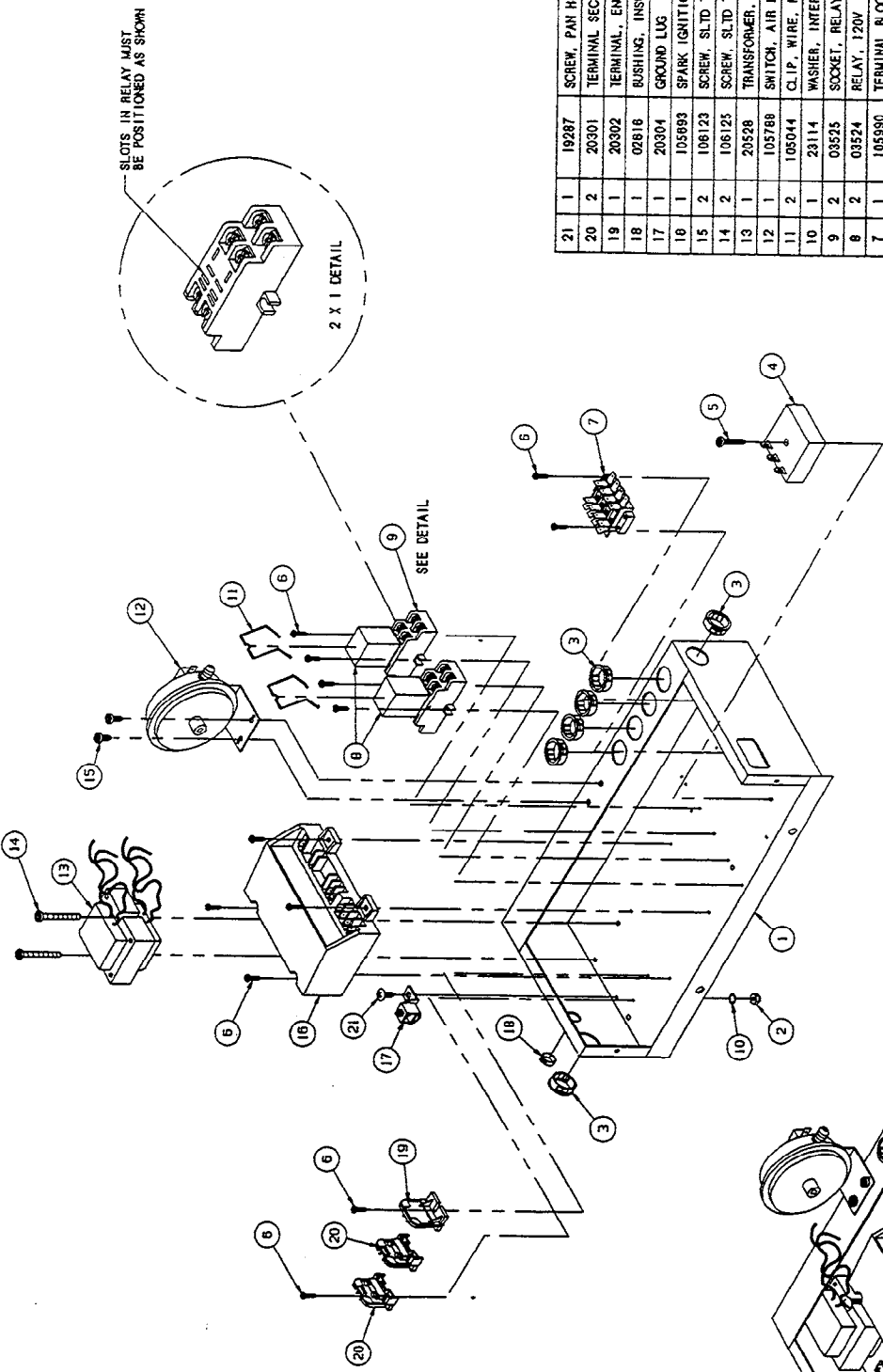


5	A/R	00934	ADHESIVE, RECTORSEAL
4		19993	SWITCH, ROCKER, DPDT, ON/OFF
3		07168	GAUGE, PRESSURE, 10 PSI
2		1087221	PANEL, CONTROL, WELD ASSY
1		108695	LABEL, CONTROL PANEL, POWER
ITEM QTY.		PART NO.	
TOLERANCES (EXCEPT AS NOTED)			
DECIMAL	±	N/A	
ANGULAR	±	N/A	
CK		10-15-93	
SCALE		1/2"=1"	
DRAWN BY		DUTCHMAN	
APPROVED BY			
TITLE			
PANEL ASSEMBLY			
POWER SWITCH			
SC 10, DIRECT CONNECT			
DRAWING NO.		B - 1c - 74	
REV.		-	

CLEVELAND RANGE INC.
1333 East 179th St., Cleveland, Ohio 44110-2574

THIS DESIGN DESCRIBES A PROPRIETARY ITEM AND IS THE PROPERTY OF CLEVELAND RANGE. THIS DRAWING IS NOT TO BE COPIED OR USED WITHOUT THE APPROVAL OF CLEVELAND RANGE.

LET	REVISONS	DATE	BY
A	ADDED DETAIL PER E.O. 10-2702	08-09-94	PJD



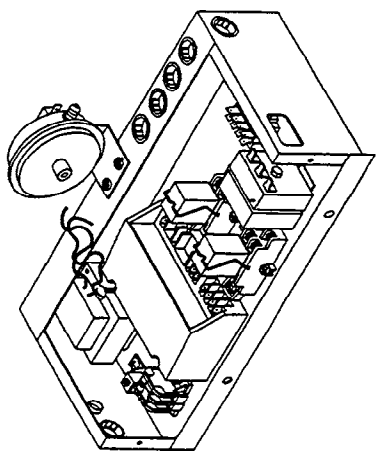
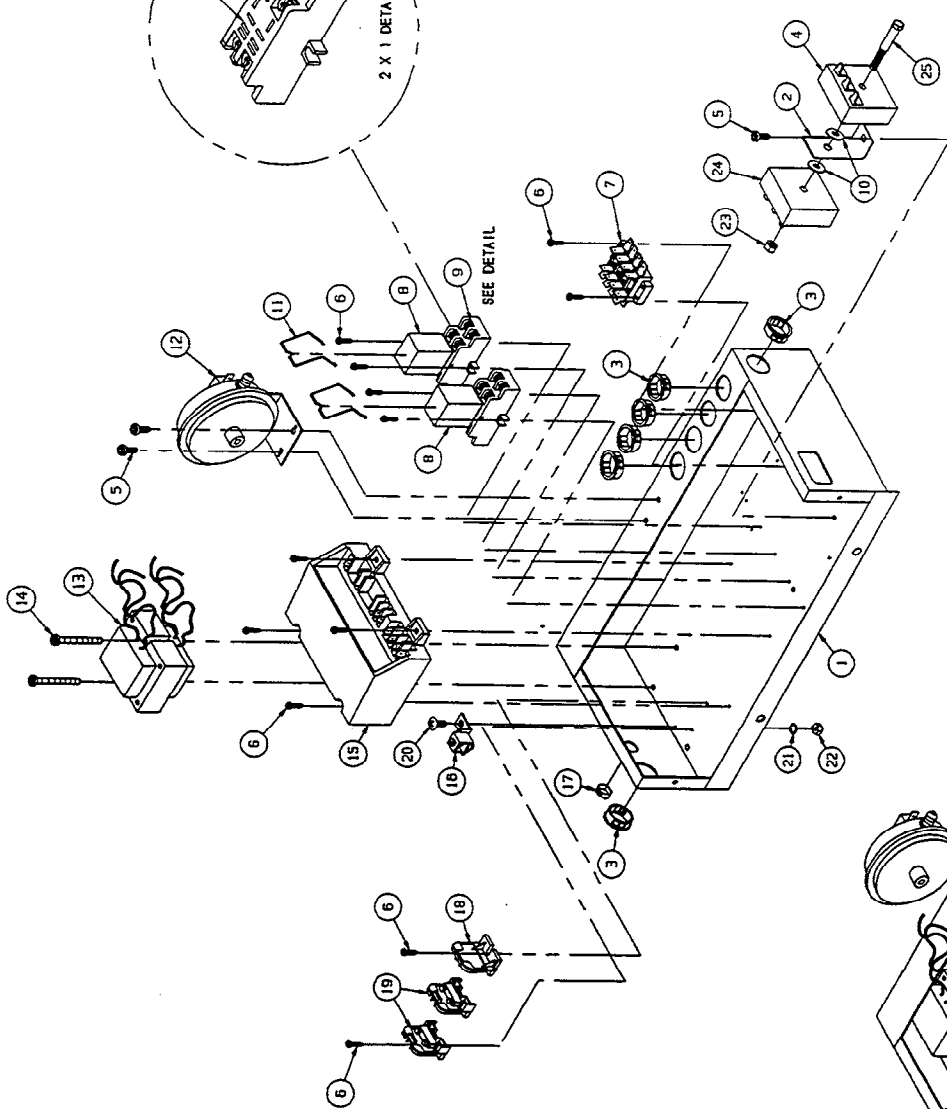
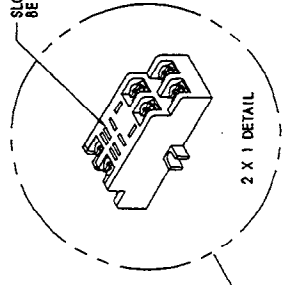
21	1	19287	SCREW, PAN HEAD, 10-24 X 1/2
20	2	20301	TERMINAL SECTION, MARATHON
19	1	20302	TERMINAL, END SECTION, MARATHON
18	1	02818	BUSHING, INSULATOR, HEYCO
17	1	20304	GROUND LUG
16	1	105693	SPARK IGNITION CONTROL MODULE
15	2	106123	SCREW, SLTD TORX, #10-32 X 1/2
14	2	106125	SCREW, SLTD TORX, #10-32 X 1.75
13	1	20528	TRANSFORMER, 24 VOLT
12	1	105788	SWITCH, AIR PROVER
11	2	105044	CLIP, WIRE, RELAY
10	1	23114	WASHER, INTERNAL TOOTH, 10-32
9	2	03525	SOCKET, RELAY
8	2	03524	RELAY, 120V
7	1	105990	TERMINAL BLOCK ASSY, 4 POLE
6	12	106127	SCREW, SLTD TORX, #6-32 X 1/2
5	1	106124	SCREW, SLTD TORX, #10-32 X 1
4	1	20478	INTERVAL TIMER, 180 SEC.
3	6	02800	BUSHING, INSULATOR, HEYCO
2	1	14849	NUT, HEX
1	1	105517	BOX, ELECTRIC, WELDMENT
NO.	QTY.	PART NO.	DESCRIPTION

TOLERANCES (EXCEPT AS NOTED)		CLEVELAND RANGE INC. 1039 East 171st St, Cleveland, Ohio 44116-2374	
DECIMAL	± N/A	DRAWN BY	D. DOSSOR
ANGULAR	± N/A	APPROVED BY	
±	N/A	TITLE	ELECTRIC BOX ASSEMBLY STEAMCRAFT 10, PRESSURE
DATE	02-10-94	DRAWING NO.	C - 106785
REV.	A		

THIS DESIGN DESCRIBES A PROPRIETARY ITEM
 AND IS THE PROPERTY OF CLEVELAND RANGE.
 THIS DRAWING IS NOT TO BE REPRODUCED
 OR COPIED IN ANY MANNER WITHOUT THE APPROVAL OF CLEVELAND RANGE.

LET REVISIONS DATE BY

SLOTS IN RELAY MUST BE POSITIONED AS SHOWN



25	1	108118	BOLT, 1/4-20 X 2-1/4, ZINC PLTD
24	1	104716	TIMER, RECYCLING
23	1	14818	NUT, HEX., 1/4-20, FULL FINISH
22	1	14849	NUT, HEX.
21	1	23114	WASHER, INTERNAL TOOTH, 10-32
20	1	19287	SCREW, PAN HD, 10-24 X 1/2
19	2	20301	TERMINAL SECTION, MIRATHON
18	1	20302	TERMINAL, END SECTION, MIRATHON
17	1	02816	BUSHING, INSULATOR, HEYCO
16	1	20304	GROUND LUG
15	1	103693	SPARK IGNITION CONTROL MODULE
14	2	108125	SCREW, SLTD TORX, #10-32 X 1.75
13	1	20528	TRANSFORMER, 24 VOLT
12	1	105788	SWITCH, AIR PROVER
11	2	105044	CLIP, WIRE, RELAY
10	2	23116	WASHER, FLAT, 1/4-20, 5/8
9	2	03525	SOCKET, RELAY
8	2	03524	RELAY, 120V
7	1	105950	TERMINAL BLOCK ASSY, 4 POLE
6	12	108127	SCREW, SLTD TORX, #6-32 X 1/2
5	3	108123	SCREW, SLTD TORX, #10-32 X 1/2
4	1	20478	INTERVAL TIMER, 160 SEC.
3	6	02800	BUSHING, INSULATOR, HEYCO
2	1	105955	BRACKET, DUAL TIMER MOUNTING
1	1	105517	BOX, ELECTRIC, WELDMENT
			DESCRIPTION
			NO. QTY. PART NO.

TOLERANCES (UNLESS OTHERWISE SPECIFIED)

DECIMAL ± .001

ANGULAR ± .001

SCALE 3/8"=1

DRAWN BY D. COXSON

APPROVED BY

CLEVELAND RANGE INC.
1333 East 179th St. Cleveland, Ohio 44110-2074

TITLE ELECTRIC BOX ASSEMBLY

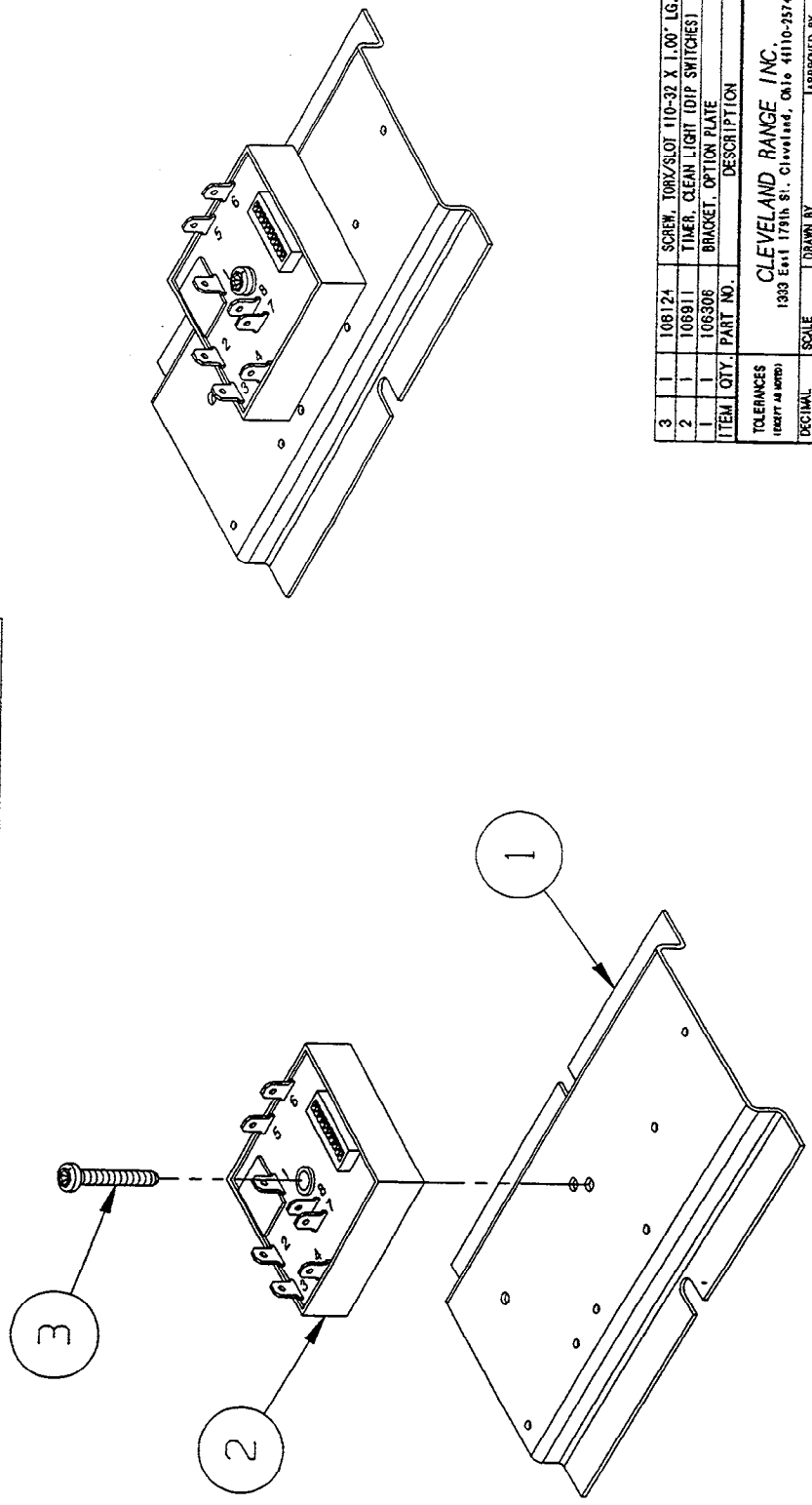
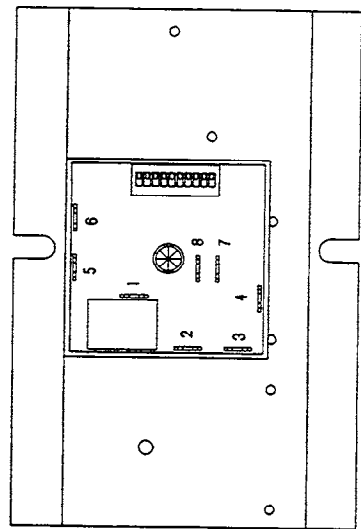
S/C 10 PRESSURE, INTERMITTENT BLOWDOWN

DATE 02-10-94

CK C - 10878

THIS DESIGN DESCRIBES A PROPRIETARY ITEM AND IS THE PROPERTY OF CLEVELAND RANGE. THIS DRAWING IS NOT TO BE COPIED OR USED WITHOUT THE WRITTEN CONSENT OF CLEVELAND RANGE.

LET. REVISIONS DATE BY



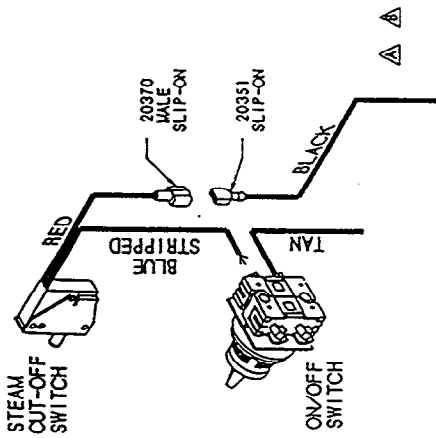
ITEM	QTY.	PART NO.	DESCRIPTION
3	1	108124	SCREW, TORX/SLOT 110-32 X 1.00" LG.
2	1	108911	TIMER, CLEAN LIGHT (DIP SWITCHES)
1	1	106306	BRACKET, OPTION PLATE

CLEVELAND RANGE INC. 1333 East 178th St., Cleveland, OH 44110-2574	
SCALE	DRAWN BY
1:1	DUTCHMAN
TITLE	APPROVED BY
CLEAN LIGHT TIMER PLATE	
STEAMCRAFT POWER 10	
DATE	DRAWING NO.
09-15-94	C - 107072

THIS DESIGN DESCRIBES A PROPRIETARY ITEM AND IS THE PROPERTY OF CLEVELAND RANGE. THIS DRAWING IS NOT TO BE COPIED OR USED WITHOUT THE APPROVAL OF CLEVELAND RANGE.

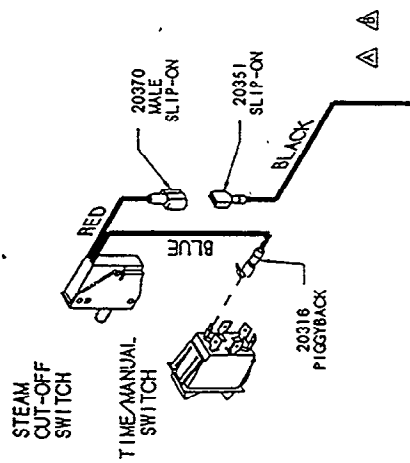
LET.	REVISIONS	DATE	BY
A	WAS: HIGH LIMIT PER E.O. IC-2381 R1	03-01-93	PJD
B	20351 BLACK WAS FROM FLOAT ONLY PER EO IC-2381 R2	04-14-93	PJD

FOR ON/OFF SWITCH TIMER

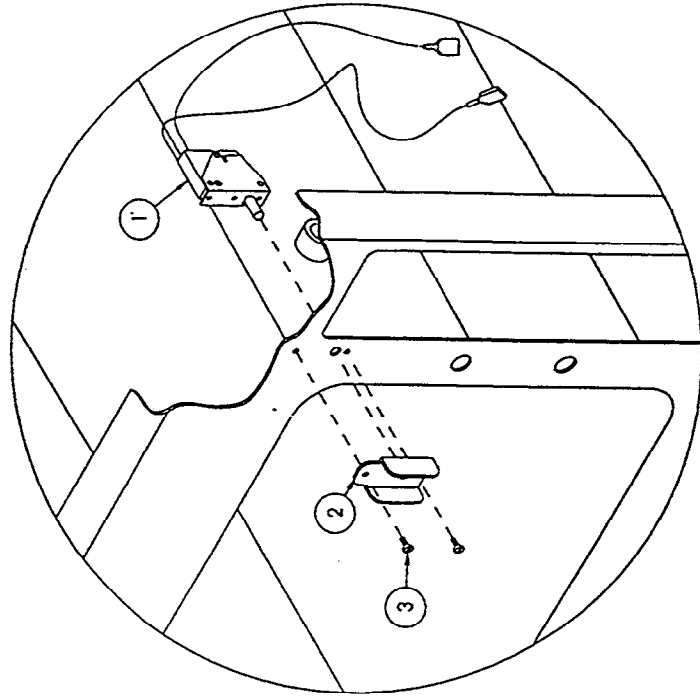


FROM: FLOAT (STANDARD)
GEN. STAND-BY TIMER (SBY OPTION)
BELL TERMINAL (TDS AND SBY OPTIONS TOGETHER)

FOR ELECTRICAL & 60 MINUTE MECHANICAL TIMERS



FROM: FLOAT (STANDARD)
GEN. STAND-BY TIMER (SBY OPTION)
BELL TERMINAL (TDS AND SBY OPTIONS TOGETHER)



ITEM	QTY.	PART NO.	DESCRIPTION
3	2	105449	SCREW, TRUSS HD. 6-32 X .312, S/S
2	1	105442	GUARD, SWITCH PROTECTION
1	1	104702	SWITCH, CAPT. STEAM SHUT-OFF

TOLERANCES	UNLESS OTHERWISE SPECIFIED
DECIMAL	± .030
ANGULAR	± 1°

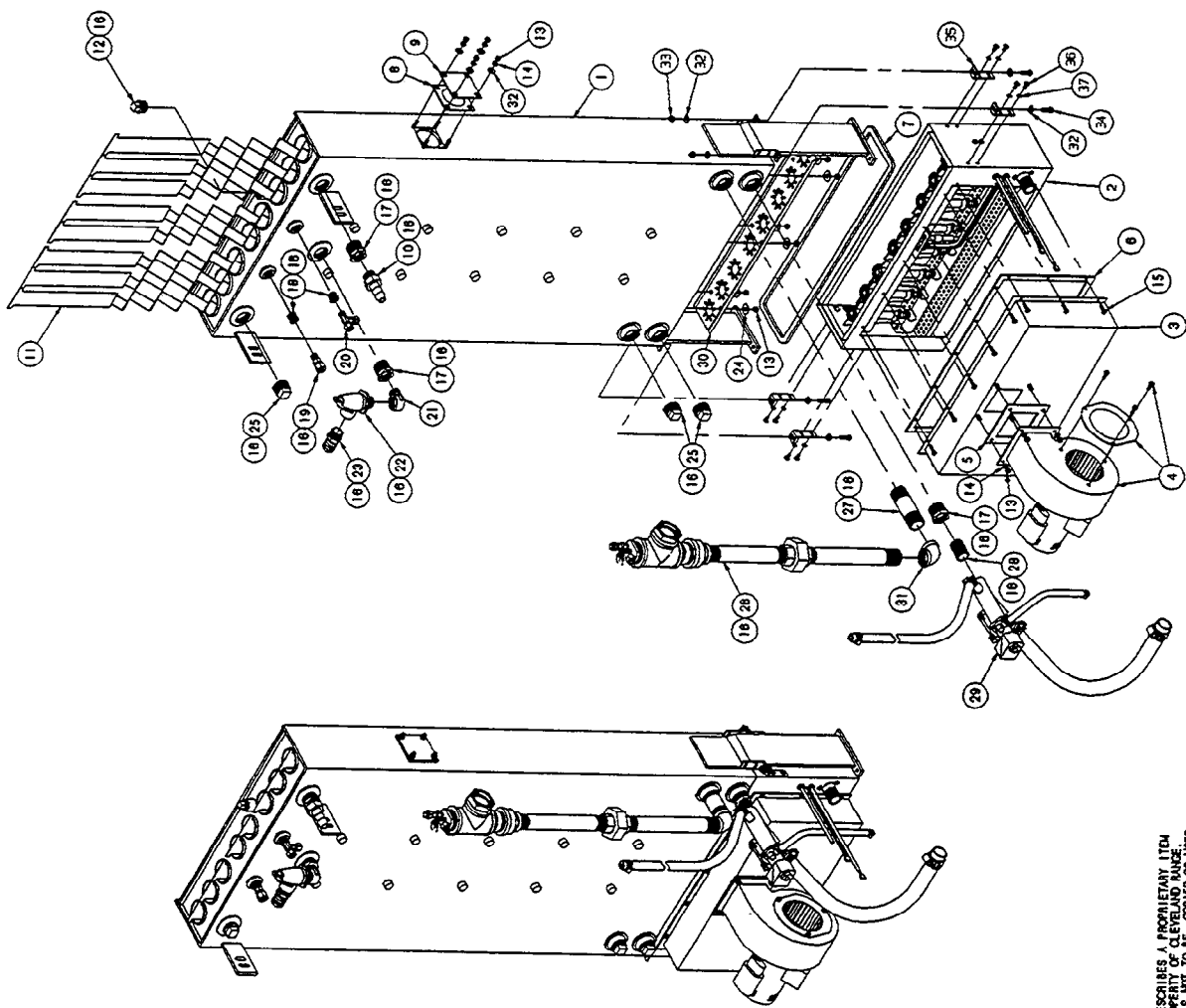
SCALE	HTS	TITLE	APPROVED BY
AS SHOWN		STEAM CUT-OFF OPTION STEAMCRAFT 3.1 AND 5.1	DUTCHMAN

DATE	DRAWING NO.	REV.
02-03-93	C - 1	5

THIS DESIGN DESCRIBES A PROPRIETARY ITEM
AND IS THE PROPERTY OF CLEVELAND RANGE.
THIS DESIGN IS NOT TO BE COPIED OR USED
WITHOUT THE APPROVAL OF CLEVELAND RANGE.

CLEVELAND RANGE INC.
1333 East 179th St. Cleveland, Ohio 44110-2371

LET.	REVISIONS	DATE	BY
A	ADDED 23118 (QTY 4), AND 106764 WAS QTY 1, IS QTY 6, IC-2881	07-08-94	PJD
B	ADDED BRACKETS TO 106187, ADDED QTY 8 OF 23118, ADDED 14465, 15288, 106941, 101231, 23114, ED IC-2758.	09-27-94	PJD

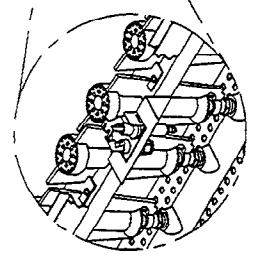
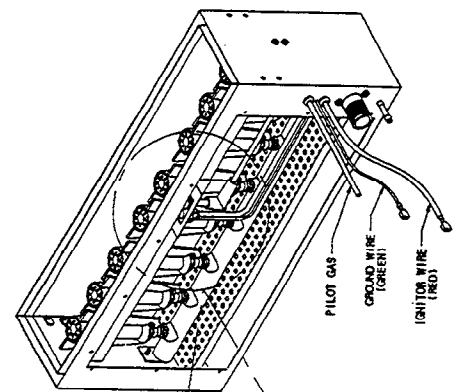
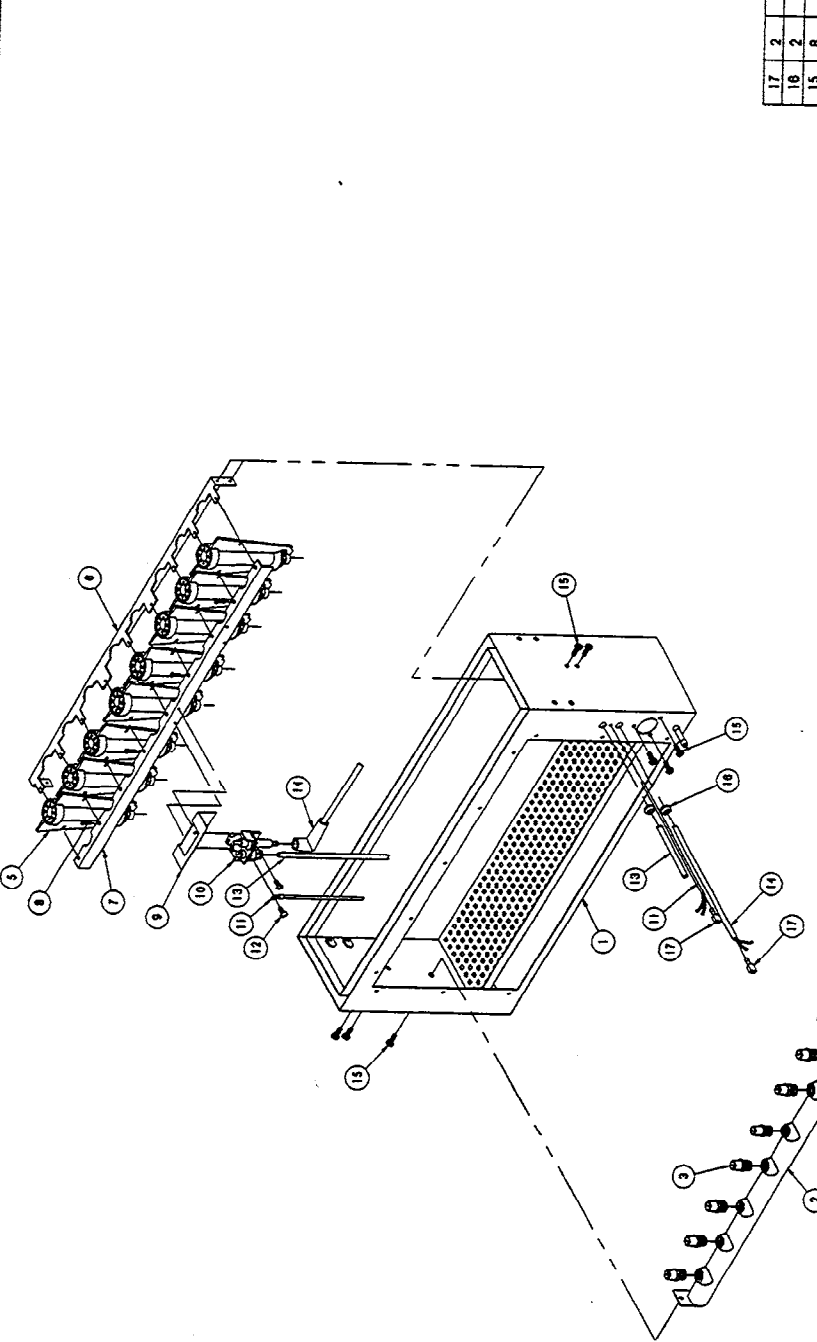


ITEM	QTY.	PART NO.	DESCRIPTION
37	8	23114	WASHER, LOCK, INT. TOTH., #10
36	8	101231	SCREW, TRUSS HEAD 10-24 X 1/2 LG., S/S
35	4	106941	BRACKET, AIR BOX SUPPORT, PRESSURE 10
34	4	19288	SCREW, HEX HEAD 1/4-20 X 3/4 LG.
33	4	14685	NUT, HEX ELASTIC 1/4-20
32	12	23116	WASHER, FLAT 1/4 X 5/8
31	1	05265	ELBOW, 1" X 90°, BLACK
30	1	106732	PLATE, TURBULATOR
29	1	106887	VALVE ASSY., DRAIN, SC 10 PRESSURE
28	1	14343	NIPPLE, 3/4" X CLOSE, BLACK
27	1	14375	NIPPLE, 1" X 4" LG, BLACK
26	1	106890	FLOAT ASSY., SC 10, PRESSURE
25	3	16837	PLUG, SO. HEAD, 1" MPT
24	6	23136	WASHER, FLAT 3/8 X 7/8 X 1/16, S/S
23	1	06185	FITTING, ROSE BARR 3/4 MPT X 1" H, BRASS
22	1	22131	VALVE, SAFETY, 3/4", 15 PSI
21	1	05231	ELBOW, STREET 3/4"
20	1	106883	FITTING, COMP. TEE 3/8 T X 1/4 MPT X 3/8 T
19	1	06185	FITTING, COMP. 3/8 T X 1/4 MPT, STR.
18	2	02594	BUSHING, HEX 3/8 X 1/4, BRASS
17	3	02598	BUSHING, HEX 1 X 3/4
16	A/R	00934	SEALANT, REGIOSEAL
15	11	106126	SCREW, TORX-SLOT PAN HD., #32 X 1/2
14	8	14618	NUT, HEX, 1/4-20, S/S
13	14	16802	PLUG, SO. HEAD, 1/2 PIPE, BLACK
12	1	106884	FITTING, ROSE BARR, 3/4 T X 3/4 MPT
11	8	06240	PLATE, BLOCCOFF
10	1	104814	GASKET, HEAT/BLKOFF FLATE
9	1	07178	GASKET, BOILER MOUNT
8	1	106724	GASKET, BURNER MOUNT
7	1	105928	GASKET, FAN MOUNT
6	1	105895	FAN, CENTRIFUGAL, 200 CFM
5	1	106837	CHANGER, AIR DISTRIBUTION ASSEMBLY
4	1	106885	BURNER BOX ASSEMBLY, NATURAL GAS
3	1	106167	STEAM GENERATOR ASSEMBLY, WELDMENT
2	1		
1	1		

CLEVELAND RANGE INC. 1330 East 179th St., Cleveland, Ohio 44110-2374	
SCALE 5/32E	DRAWN BY DUTCHMAN
APPROVED BY	
TITLE VERTICAL STEAM GENERATOR ASSEMBLY 250,000 BTU, STEAKCRAFT 10	
DATE 02-14-94	DRAWING NO. C - 106886
CHK	REV. B

THIS DESIGN DESCRIBES A PROPRIETARY ITEM AND IS THE PROPERTY OF CLEVELAND RANGE. THIS DRAWING IS NOT TO BE COPIED OR USED WITHOUT THE APPROVAL OF CLEVELAND RANGE.

LET.	REVISIONS	DATE	BY
A	106896000 REPLACED 1061416000 PER E.O. 10-2816	05-03-94	P.J.D
B	PAN 106846 CORRECTED PICTORIALLY PER E.O. 10-2702	08-09-94	P.J.D
C	ADDED HOLES AND WELDNUTS TO BURNER AIR BOX - SEE E.O. 10-2882	09-27-94	P.J.D



PILOT AND BURNER DETAIL
SCALE = 1-1/2 X SIZE

ITEM	QTY	PART NO.	DESCRIPTION
17	2	20358	TERMINAL, SILICON, DALL. INSL.
18	2	106129	GROMMET, RUBBER, 1/4" OD
15	8	106123	SCREW, TORX/SLOT PAN HD. #10-32 x 1/2"
14	1	106896000	WIRE ASSY, IGNITION, 80" LG. (RED)
13	1	106721	TUBE FORMED, PILOT TO GAS, ALUMINUM
12	2	106114	SCREW, PAN HEAD, PHILLIPS, #8-32 x .375
11	1	1061451700	WIRE ASSY, 18 GA., 17" LG. (GREEN)
10	-	105784	PILOT ASSY, NATURAL GAS, INTERMITTENT PILOT
9	1	106412	BAFFLE, AIR, PILOT
8	4	101879	SCREW, HEX WASH HEAD, #8-32 x 1/2"
7	1	106644	BRACKET, BURNER CLAMPING
6	1	106643	BURNER, INSHT, 30,000 BTU
5	8	105781	BRACKET, BURNER SUPPORT
4	1	106720	CASKET, GAS MANIFOLD
3	-	1067821	ORIFICE, LP GAS, VERTICAL BOILER
2	1	106640	MANIFOLD ASSY, GAS, NATURAL, VERTICAL BOILER
1	1	106846	BURNER AIR BOX, WELD ASSEMBLY

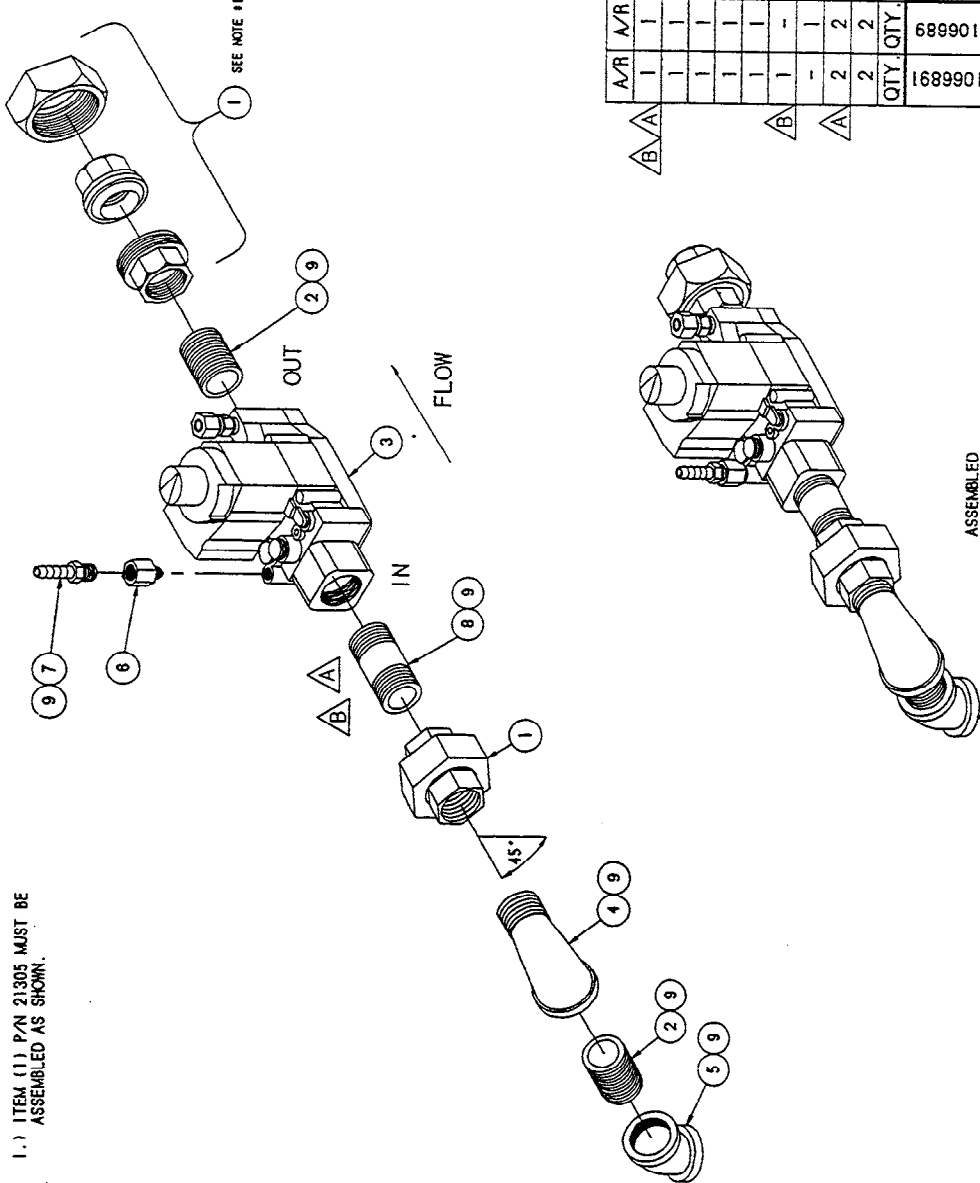
TOLERANCES	DECIMAL	SCALE	APPROVED BY
(EXCEPT AS NOTED)		1/2±1"	Dutchman
± N/A			
ANGULAR			
± N/A			
CK	02-14-94	DRAWING NO. C - 106685	REV. C

CLEVELAND RANGE INC.
1933 East 178th St. Cleveland, Ohio 44110-2574

TITLE: BURNER BOX ASSEMBLY
250,000 BTU VERTICAL BOILER
NATURAL GAS / LP GAS

THIS DESIGN DESCRIBES A PROPRIETARY ITEM AND IS THE PROPERTY OF CLEVELAND RANGE. NO DRAWING IS NOT TO BE COPIED OR USED WITHOUT THE APPROVAL OF CLEVELAND RANGE.

LET.	REVISIONS	DATE	BY
A	REPLACED ONE OF 14313 WITH 14315 SEE FO.C-2816.	4/28/94	DLD
B	REPLACED 14345 WITH 14344, AND 1067191 WITH 1067192, C-2708.	8/23/94	DLD

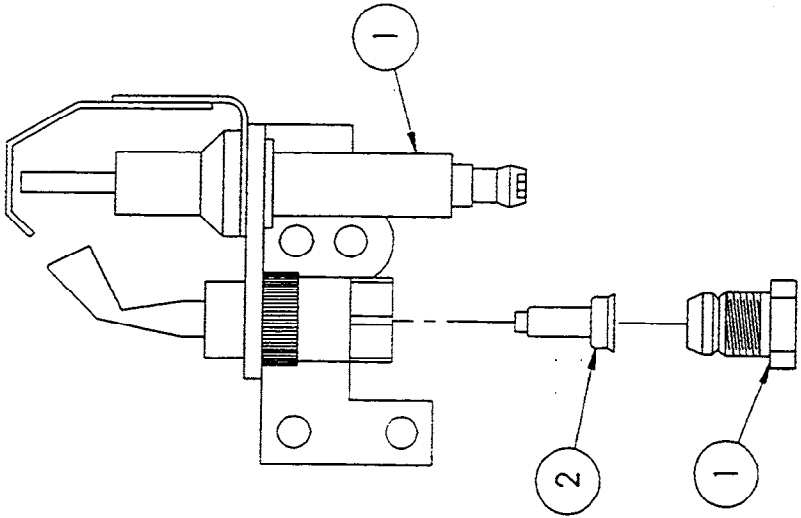


NOTES:
1.) ITEM (1), P/N 21305 MUST BE
ASSEMBLED AS SHOWN.

THIS DESIGN DESCRIBES A PROPRIETARY ITEM
AND IS THE PROPERTY OF CLEVELAND RANGE.
THIS DRAWING IS NOT TO BE COPIED OR USED
WITHOUT THE APPROVAL OF CLEVELAND RANGE.

A/R	A/R	QTY	ITEM	DESCRIPTION
	9	1068901	9	SEALANT, RECTORSEAL
	8	14344	8	NIPPLE, 3/4 X 2", BLACK
	7	104380	7	FITTING, HOSE BARB 1/4 H X 1/8 MPT
	6	106803	6	FITTING, ADAPTER 1/8 T X 1/8 MPT
	5	05262	5	ELBOW, 3/4" X 45°, BLACK
	4	05259	4	ELBOW, STREET, 90°, 3/4, BLACK
	3	1067192	3	VALVE, GAS REGULATOR, LIQUID PROPANE
	2	106719	2	VALVE, GAS REGULATOR, NATURAL GAS
	2	14343	2	NIPPLE, 3/4 x CLOSE, BLACK
	2	21305	2	UNION, 3/4, BLACK
				PART NO.
				DESCRIPTION
CLEVELAND RANGE INC. 1333 East 179th St. Cleveland, Ohio 44110-2574				
TOLERANCES (EXCEPT AS NOTED)		SCALE		
DECIMAL	± N/A	1/4=1	DRAWN BY DUTCHMAN APPROVED BY	
ANGULAR	± N/A	TITLE		
		GAS VALVE ASSEMBLY		
		SC 10, VERTICAL PRESSURE		
DATE	02-21-94	DRAWING NO.	B - 106689	REV. B
CK				

LET. REVISIONS DATE BY



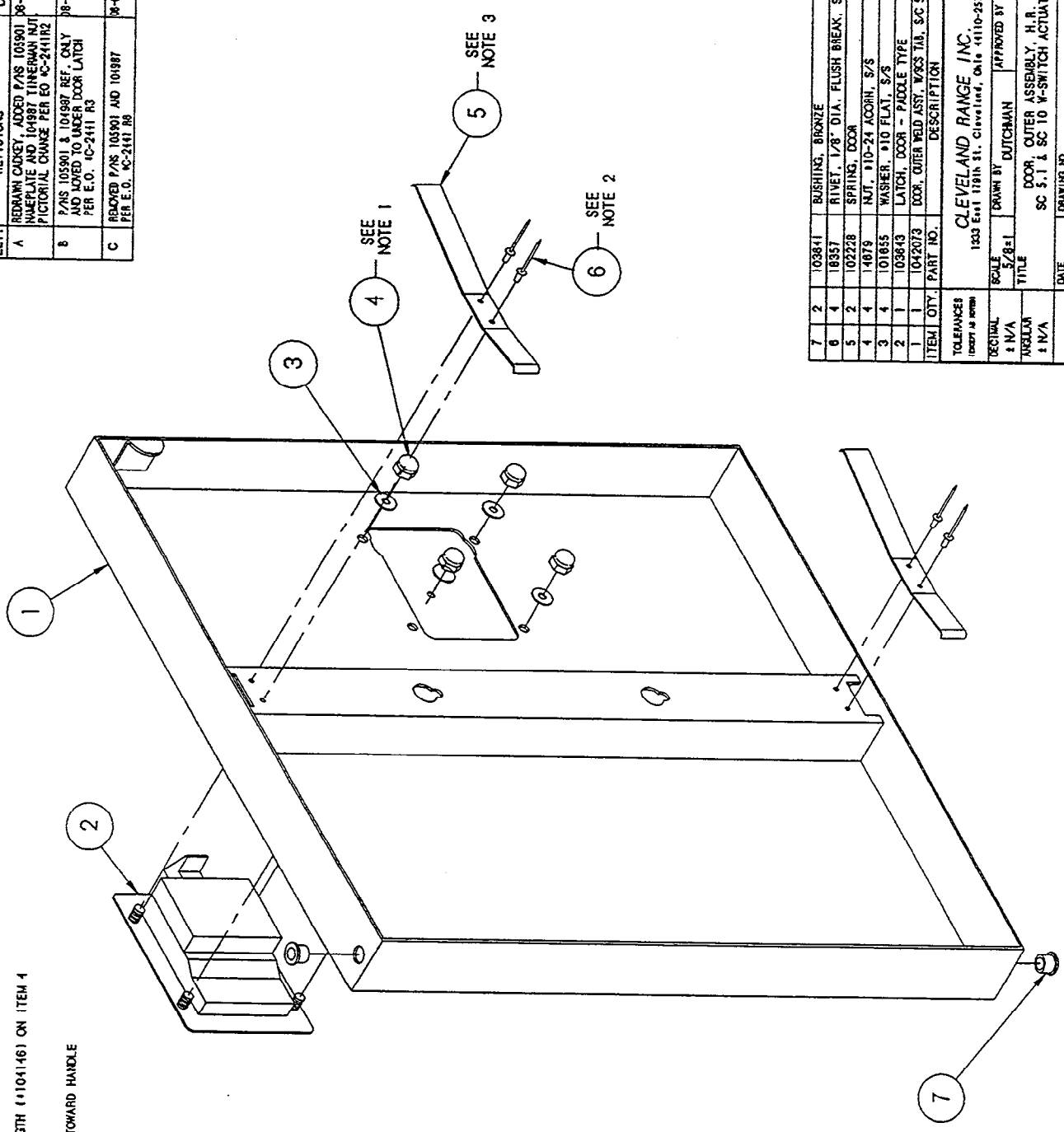
NOTE:
 1.) REMOVE ORIFACE FROM P/N 105784 AND DISCARD.
 2.) INSTALL P/N 106375.

2	1	106375	ORIFICE, PILOT, 0.012"
1	1	105784	PILOT
ITEM	QTY.	PART NO.	DESCRIPTION
CLEVELAND RANGE INC. 1333 East 179th St. Cleveland, Ohio 44110-2574			
TOLERANCES (EXCEPT AS NOTED)	SCALE	DRAWN BY	APPROVED BY
± N/A	1=1	DUTCHMAN	-
ANGULAR ± N/A	TITLE PILOT ASSEMBLY, L.P. STEAMCRAFT 10		
CK	DATE	DRAWING NO.	REV.
	02-22-93	A - 1057841	-

THIS DESIGN DESCRIBES A PROPRIETARY ITEM AND IS THE PROPERTY OF CLEVELAND RANGE. THIS DRAWING IS NOT TO BE COPIED OR USED WITHOUT THE APPROVAL OF CLEVELAND RANGE.

LET.	REVISIONS	DATE	BY
A	REDRAWN CADDKEY, ADDED P/AS 103901 HANDLE PLATE AND 104987 TINKERMAN NUT PICTORIAL CHANGE PER EO KC-2411R2	06-28-93	PJD
B	P/AS 103901 & 104987 REF. ONLY AND ADDED TO UNDER DOOR LATCH PER E.O. KC-2411 R3	08-05-93	PJD
C	REMOVED P/AS 103901 AND 104987 PER E.O. KC-2411 R8	08-07-91	PJD

- NOTES:
- 1.1 USE LOCKTITE #222 - LOW STRENGTH (#104146) ON ITEM 4
 - 2.1 USE RTV (#00933) ON ITEM 6
 - 3.1 ORIENT LONGER SIDE OF ITEM 5 TOWARD HANDLE



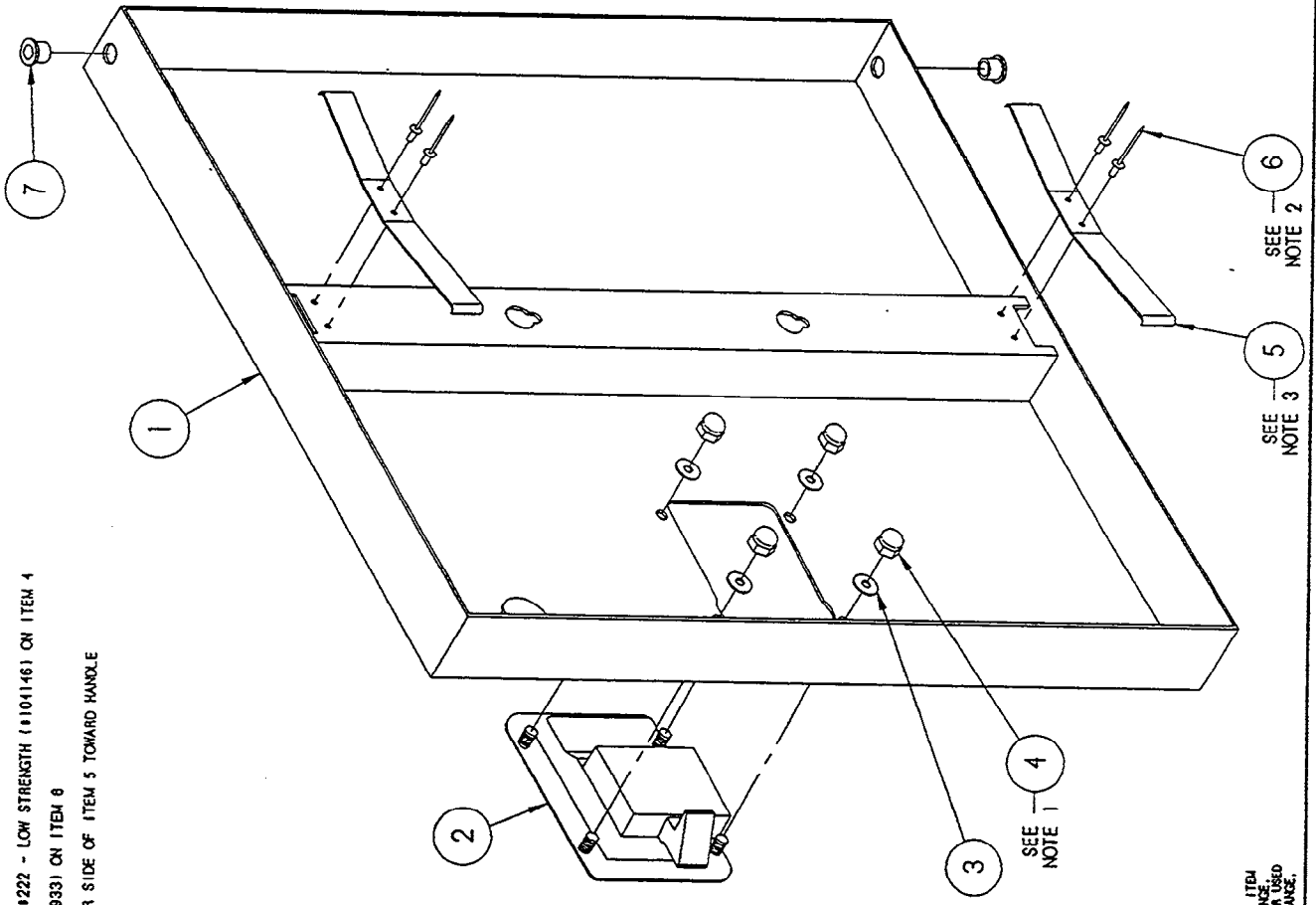
ITEM	QTY	PART NO.	DESCRIPTION
7	2	103841	BUSHING, BRONZE
6	4	18957	RIVET, 1/8" DIA. FLUSH BREAK, S/S
5	2	102228	SPRING, DOOR
4	4	14879	NUT, #10-24 ACORN, S/S
3	4	01855	WASHER, #10 FLAT, S/S
2	1	103643	LATCH, DOOR - PADLOCK TYPE
1	1	1042073	DOOR, OUTER WELD ASSY, W/ASS TIA, SC S.1, H.R.

TOLERANCES UNLESS OTHERWISE SPECIFIED	
DECIMAL	FRACTIONAL
± .005	± 1/32"
DRAWN BY: DUTCHMAN	
APPROVED BY:	
TITLE: DOOR, OUTER ASSEMBLY, H.R.	
SCALE: 5/8"=1"	
PART NO. SC S.1 & SC 10 V-SWITCH ACTUATOR	
DATE: 08-30-93	REV. C
OK	DRAWING NO. C - 1042063

THIS DESIGN DESCRIBES A PROPRIETARY ITEM AND IS THE PROPERTY OF CLEVELAND RANGE. IT IS TO BE KEPT CONFIDENTIAL AND NOT REPRODUCED OR USED WITHOUT THE APPROVAL OF CLEVELAND RANGE.

LET.	REVISIONS	DATE	BY
A	REDRAW COVER, ADDED P/AS 105901, W/AS PLATE AND 104987 TINKERMAN NUT, FUNCTIONAL CHANGE PER EO 10-2141N2	06-03-93	J.D
B	P/AS 105901 & 104987 REF. ONLY PER E.O. 10-2141 N3	04-01-93	J.D
C	REMOVED P/AS 105901 AND 104987 PER E.O. 10-2141 N5	06-07-91	J.D

- NOTES : 1.1 USE LOCTITE #222 - LOW STRENGTH (10101146) ON ITEM 4
 2.1 USE RTV (1009933) ON ITEM 6
 3.1 ORIENT LONGER SIDE OF ITEM 5 TOWARD HANDLE



ITEM	QTY.	PART NO.	DESCRIPTION
7	2	103841	BUSHING, BRONZE
6	4	18357	RIVET, 1/8" DIA. FLUSH BREAK, S/S
5	2	102228	SPRING DOOR
4	4	14879	NUT, #10-24 ACORN, S/S
3	4	101855	WASHER, #10 FLAT, S/S
2	1	103843	LATCH, DOOR - PADLOCK TYPE
1	1	1042072	DOOR, OUTER WLD. ASSY. W/SS TAB, SC 5.1, H.L.

TOLEANCES (EXCEPT AS NOTED)	DECIMAL ± 1/4	ANGULAR ± 1/4	CK
SCALE	5/8"=1	TITLE	
DRAWN BY		APPROVED BY	
JTV			
CLEVELAND RANGE INC. 1333 East 179th St., Cleveland, Ohio 44110-2374			
DATE		REV.	
02-04-93		C	

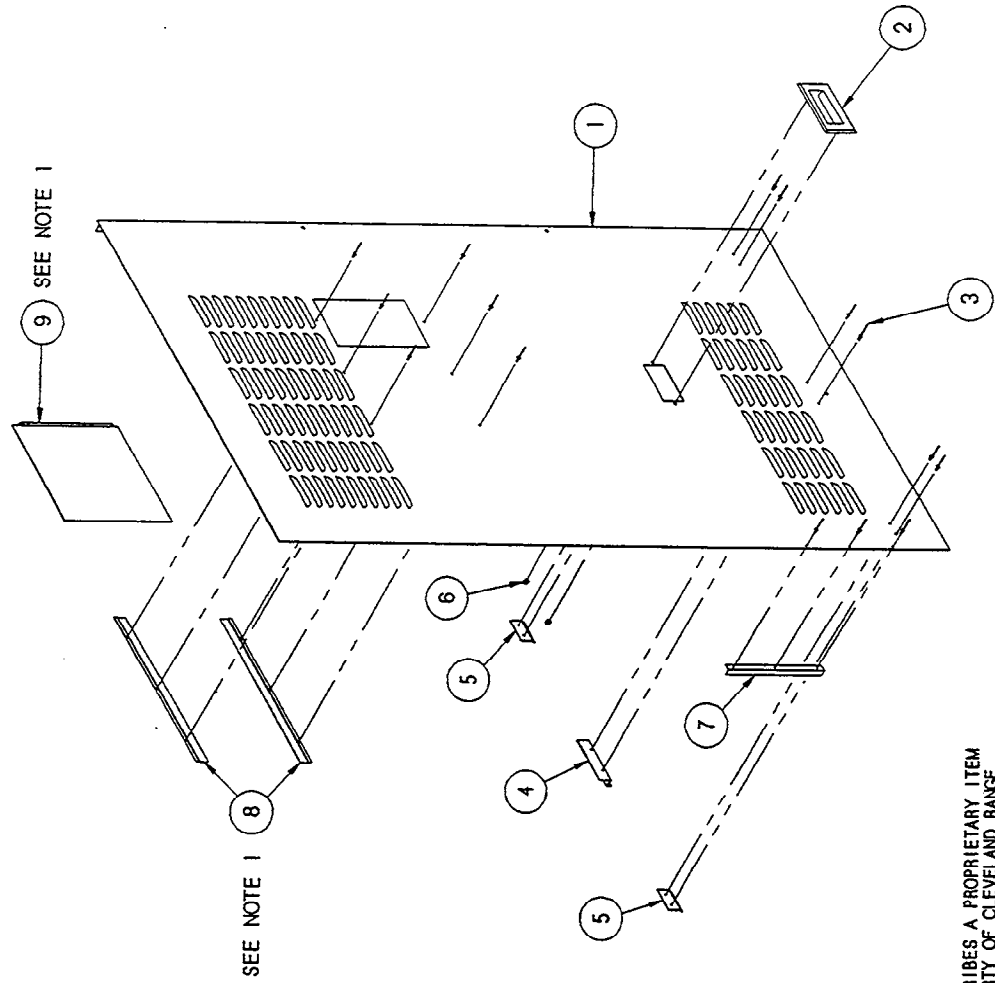
THIS DESIGN DESCRIBES A PROPRIETARY ITEM AND IS THE PROPERTY OF CLEVELAND RANGE. THIS DRAWING IS NOT TO BE COPIED OR USED WITHOUT THE APPROVAL OF CLEVELAND RANGE.

SEE NOTE 1
 SEE NOTE 3
 SEE NOTE 2

LET.	REVISIONS	DATE	BY
------	-----------	------	----

NOTES:

1) FIRST ATTACH BOTTOM ANGLE (P/N 106844)
 NEXT ASSEMBLE DOOR (P/N 106845) INTO PLACE
 THEN ATTACH TOP ANGLE ON TO SIDE PANEL



SEE NOTE 1

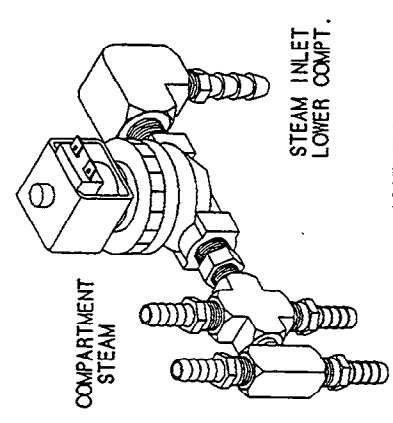
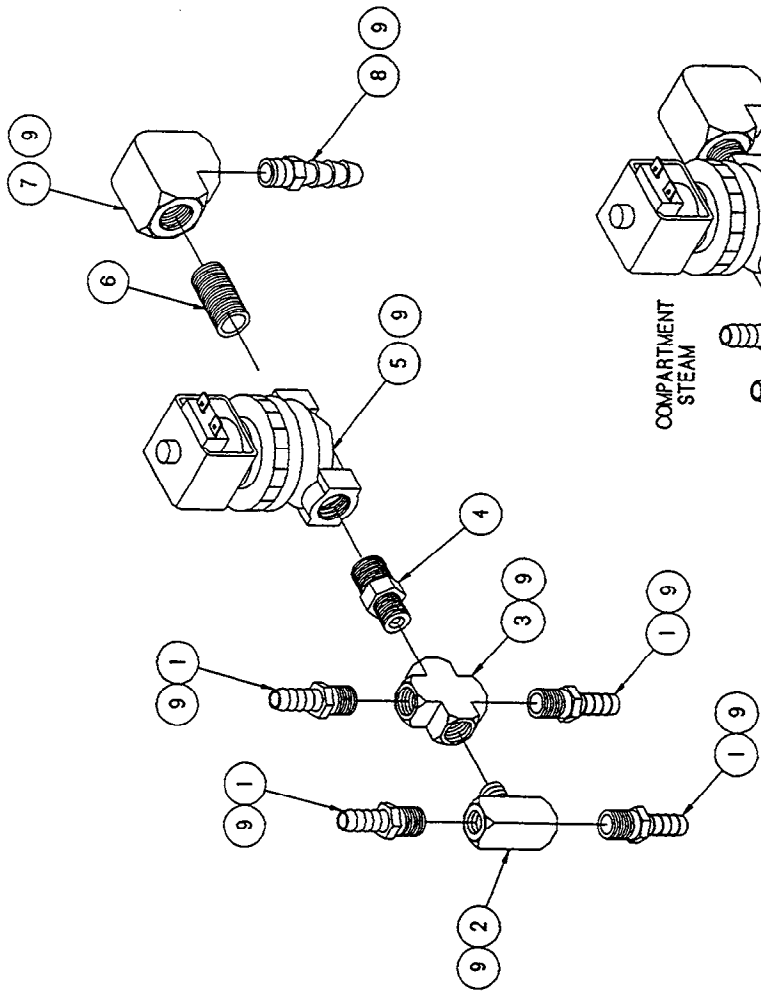
9 SEE NOTE 1

ITEM	QTY.	PART NO.	DESCRIPTION
9	1	106845	DOOR, PANEL, RIGHT, SC 10
8	2	106844	ANGLE, DOOR, PANEL, SC 10
7	1	106143	ANGLE, REINFORCEMENT
6	2	14676	NUT, ACORN 10-32 S/S
5	2	106045	BRACKET, SIDE SUPPORT, SHT.
4	1	106044	BRACKET, SIDE SUPPORT, LG.
3	15	18357	RIVET, FLUSH 1/8 S/S
2	1	08108	HANDLE, DOOR, S/S
1	1	106682	PANEL, SIDE, RIGHT, SC 10

TOLERANCES (EXCEPT AS NOTED)		CLEVELAND RANGE INC. 1333 East 1791th St., Cleveland, Ohio 44110-2574	
DECIMAL ± N/A	SCALE 1/8 = 1	DRAWN BY DUTCHMAN	APPROVED BY BEDFORD
ANGULAR ± N/A	TITLE PANEL, SIDE, RIGHT, ASSY. STEAMCRAFT POWER 10		
CK	DATE 03-01-94	DRAWING NO. B - 106666	REV. -

THIS DESIGN DESCRIBES A PROPRIETARY ITEM
 AND IS THE PROPERTY OF CLEVELAND RANGE.
 THIS DRAWING IS NOT TO BE COPIED OR USED
 WITHOUT THE APPROVAL OF CLEVELAND RANGE.

LET.	REVISIONS	DATE	BY
------	-----------	------	----

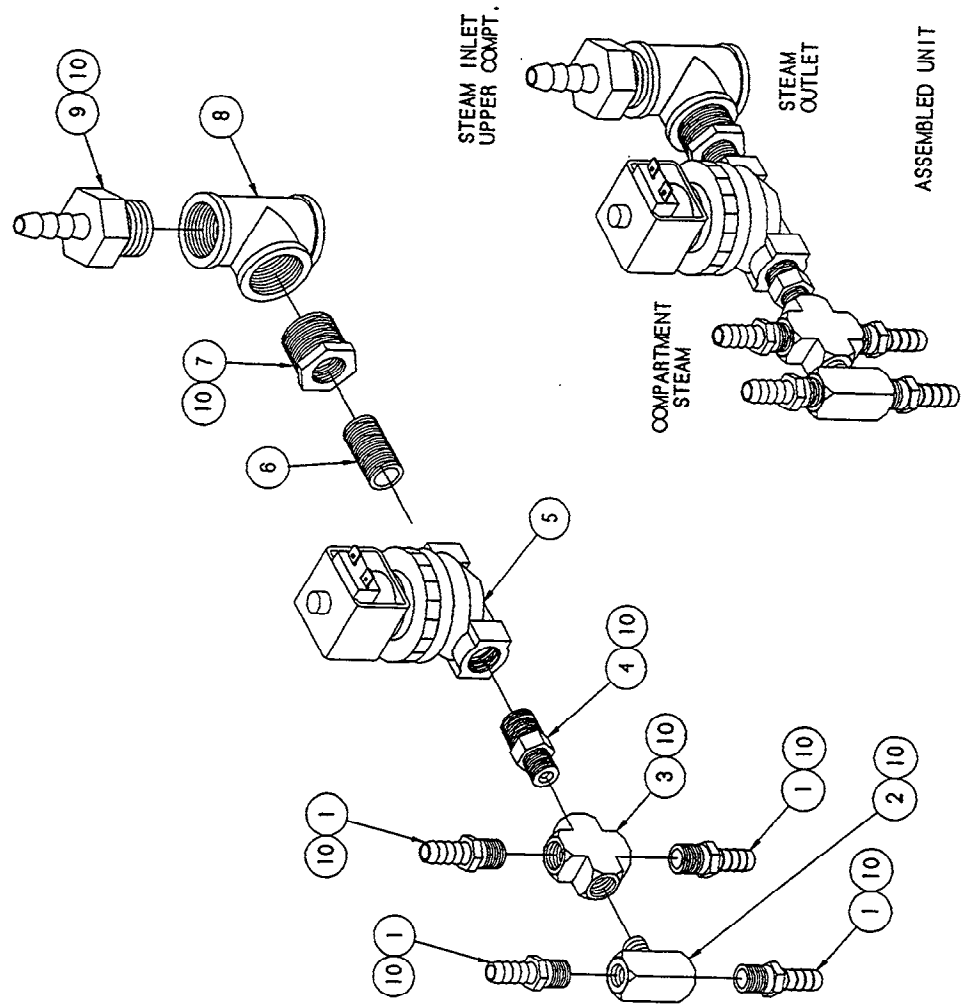


A/R	DESCRIPTION
9	00934 SEALANT, RECTORSEAL
8	100746 FITTING, HOSE BARB, 1/2 H X 3/8 MPT
7	05244 ELBOW, 3/8 X 90°, BRASS
6	14427 NIPPLE, 3/8 X CLOSE, BRASS
5	22224 STEAM VALVE, SOLENOID 3/8 X 3/8
4	106791 FLOW RESTRICTOR
3	03729 CROSS, 4-WAY, 1/4", BRASS
2	20245 TEE, MALE BRANCH, 1/4", BRASS
1	105277 FITTING, HOSE BARB, 3/8 H X 1/4 MPT
ITEM QTY.	PART NO.

CLEVELAND RANGE INC.	
1333 East 179th St., Cleveland, Ohio 44110-2574	
SCALE	DRAWN BY
1/2" = 1"	P. DUTCHMAN
APPROVED BY	
J.B.	
TITLE	STEAM INLET ASSY, UPPER COMPT.
	STEAMCRAFT 10, GAS, PRESSURE
DATE	DRAWING NO.
02-21-94	B - 106691
REV.	-

THIS DESIGN DESCRIBES A PROPRIETARY ITEM AND IS THE PROPERTY OF CLEVELAND RANGE. THIS DRAWING IS NOT TO BE COPIED OR USED WITHOUT THE APPROVAL OF CLEVELAND RANGE.

LET.	REVISIONS	DATE	BY

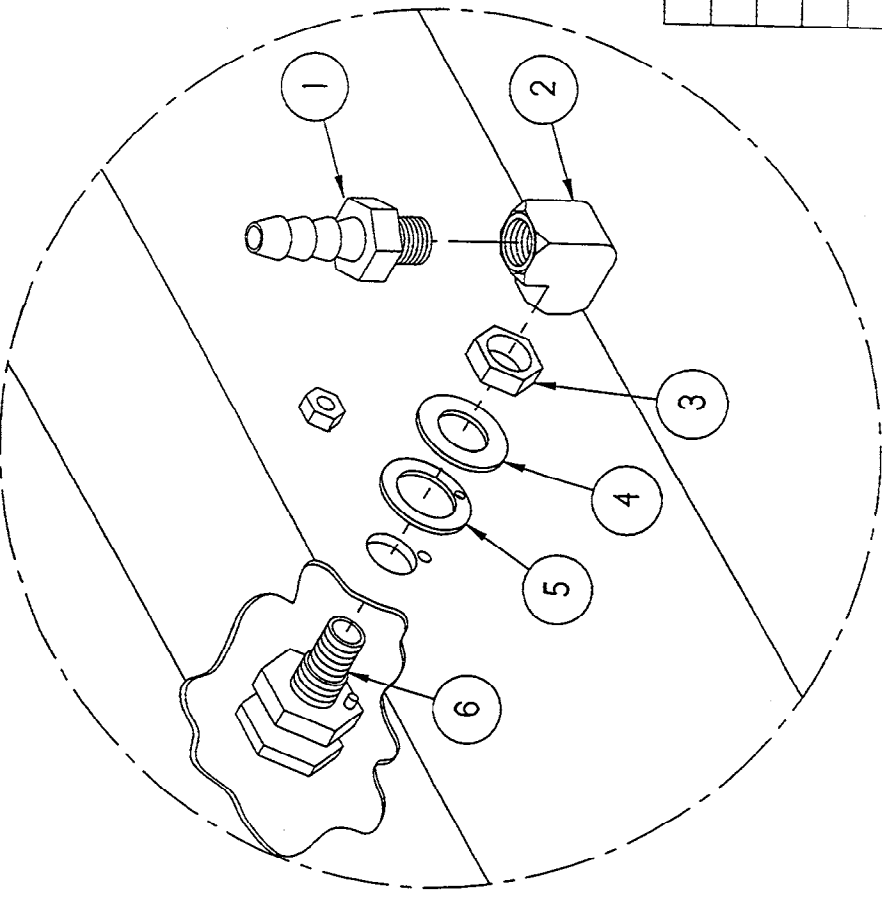


ITEM	QTY.	PART NO.	DESCRIPTION
10	A/R	00934	SEALANT, RECTORSEAL
9	1	06235	FITTING, HOSE BARB, 1/2 H X 3/4 IPT
8	1	20206	TEE, 3/4", BRASS
7	1	02575	BUSHING, HEX 3/4 X 3/8, BRASS
6	1	14427	NIPPLE, 3/8 X CLOSE, BRASS
5	1	22224	STEAM VALVE, SOLENOID 3/8 X 3/8
4	1	106791	FLOW RESTRICTOR
3	1	03729	CROSS, 4-WAY, 1/4", BRASS
2	1	20245	TEE, MALE BRANCH, 1/4", BRASS
1	4	105277	FITTING, HOSE BARB, 3/8 H X 1/4 IPT

TOLERANCES (EXCEPT AS NOTED)		CLEVELAND RANGE INC.	
DECIMAL ± .030		1333 East 179th St. Cleveland, Ohio 44110-2374	
ANGULAR ± 1°		SCALE 1/2" = 1"	APPROVED BY P. DUTCHMAN J.B.
CK		DRAWING NO. B - 106692	
DATE 02-14-94		REV. -	
TITLE		STEAM INLET ASSY, LOWER COMPT. STEAMCRAFT 10, GAS, PRESSURE	

THIS DESIGN DESCRIBES A PROPRIETARY ITEM AND IS THE PROPERTY OF CLEVELAND RANGE. THIS DRAWING IS NOT TO BE COPIED OR USED WITHOUT THE APPROVAL OF CLEVELAND RANGE.

LET. REVISIONS DATE BY



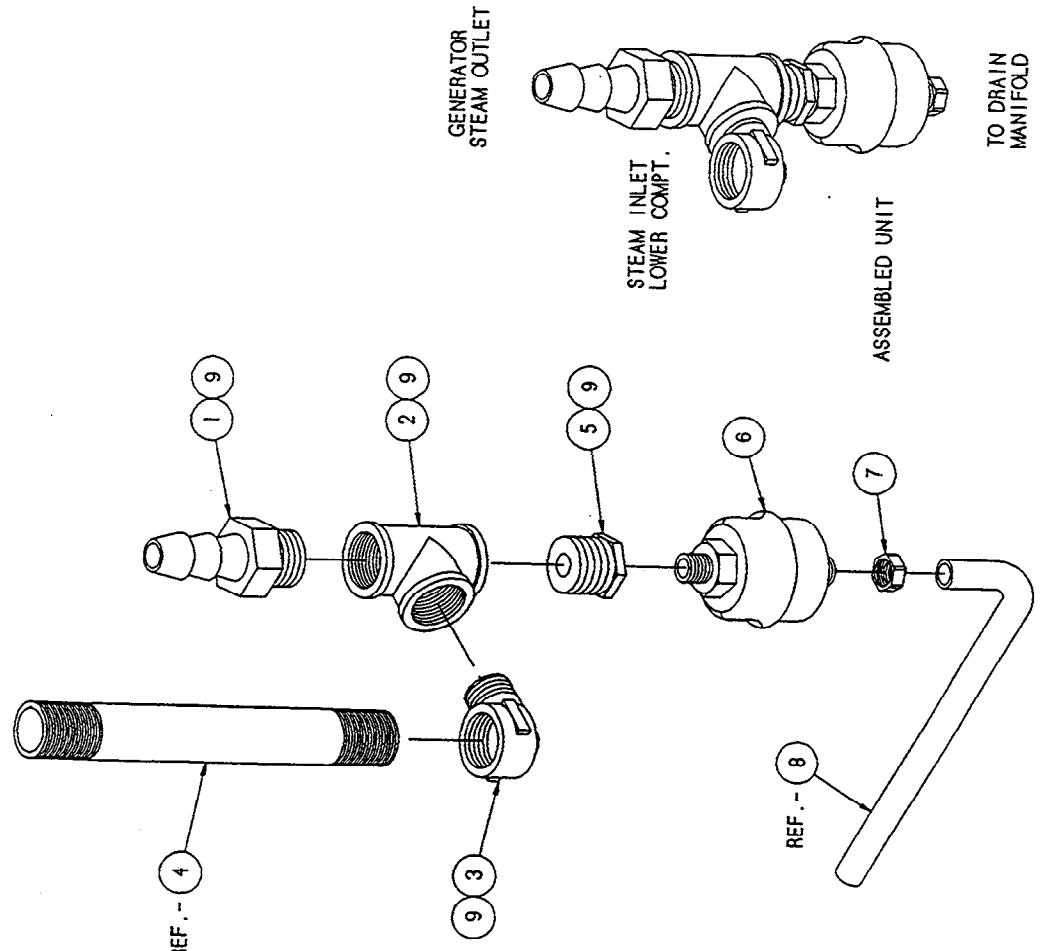
TYPICAL APPLICATION

THIS DESIGN DESCRIBES A PROPRIETARY ITEM AND IS THE PROPERTY OF CLEVELAND RANGE. THIS DRAWING IS NOT TO BE COPIED OR USED WITHOUT THE APPROVAL OF CLEVELAND RANGE.

ITEM	QTY.	PART NO.	DESCRIPTION
6	1	104009	FITTING, ASSY, STEAM SUPPLY.
5	1	104082	GASKET, STEAM INJECTOR
4	1	104232	WASHER, FLAT S/S
3	1	104081	NUT, JAM 5/8-18, BRASS
2	1	05236	ELBOW, 1/4" X 90°, BRASS
1	1	104048	FITTING, HOSE 1/2 H X 1/4 MPT

CLEVELAND RANGE INC. 1333 East 179th St. Cleveland, Ohio 44110-2574	
TOLERANCES (EXCEPT AS NOTED)	SCALE 1/2"
DECIMAL ± .030	DRAWN BY DUTCHMAN
ANGULAR ± 1°	APPROVED BY THOMPSON
TITLE SPRAY NOZZLE ASSEMBLY STEAMCRAFT 3.1, 5.1 AND 10	
DATE 02-12-93	DRAWING NO. A - 1062301
CK	REV. -

LET.	REVISIONS	DATE	BY
------	-----------	------	----

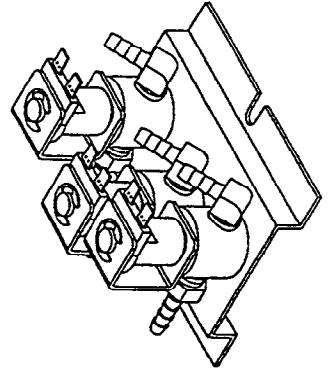
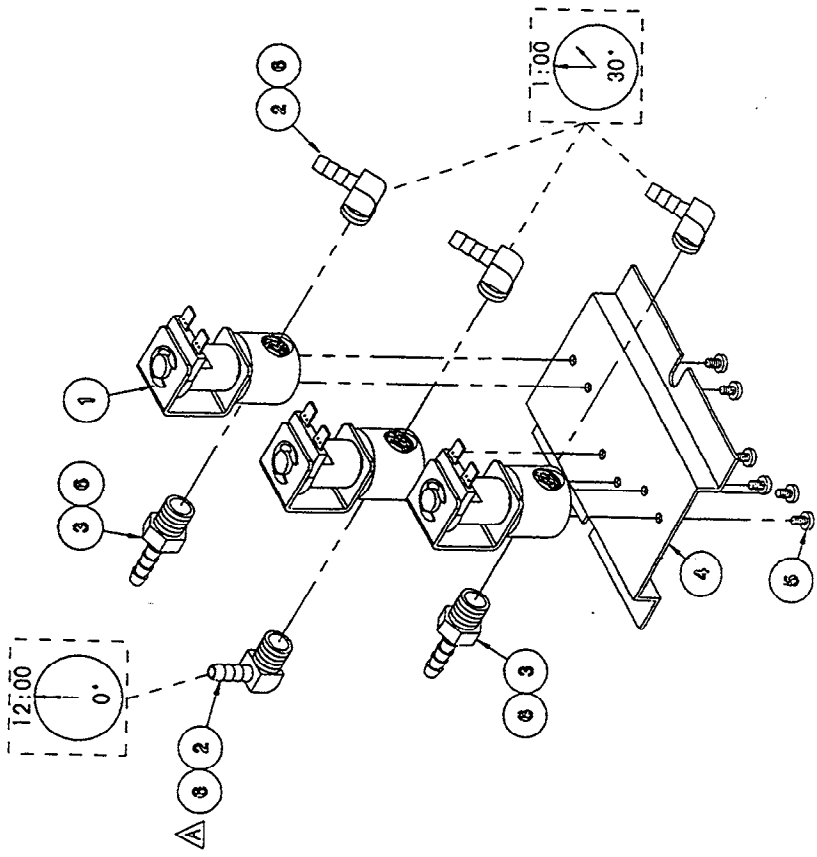


ITEM	QTY.	PART NO.	DESCRIPTION
9	A/R	00934	SEALANT, RECTORSEAL
8	-	108808	TUBE, FORMED, 1/4" COPPER
7	1	14661	NUT, COMPRESSION, 1/4 X 1/4
6	1	101207	TRAP, THERMOSTATIC, 1/4"
5	1	02563	BUSHING, HEX 3/4 X 1/4, BRASS
4	-	14466	NIPPLE, 3/4" X 8" LG.
3	1	05231	ELBOW, STREET, 3/4", BRASS
2	1	20208	TEE, 3/4", BRASS
1	1	06240	FITTING, HOSE BARB, 3/4 NPT X 3/4 H

TOLERANCES (EXCEPT AS NOTED)		CLEVELAND RANGE INC.	
DECIMAL	SCALE	DRAWN BY	APPROVED BY
± .030	1/2" = 1"	P. DUTCHMAN	J.B.
ANGULAR	TITLE	STEAM OUTLET ASSEMBLY	
± 1°		STEAMCRAFT 10, GAS. PRESSURE	
CK	DATE	DRAWING NO.	REV.
	02-14-94	B - 106693	-

THIS DESIGN DESCRIBES A PROPRIETARY ITEM AND IS THE PROPERTY OF CLEVELAND RANGE. THIS DRAWING IS NOT TO BE COPIED OR USED WITHOUT THE APPROVAL OF CLEVELAND RANGE.

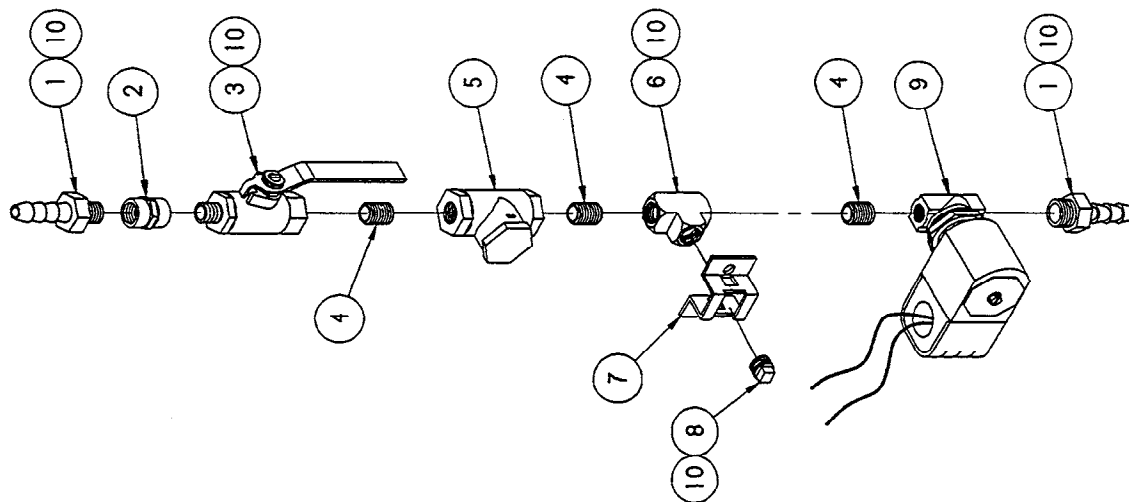
LET.	REVISIONS	DATE	BY
A	P/N 105786 MOVED TO MIDDLE SOLENOID IN PICTORIAL PER EO #C-2304	10-28-92	PD
B	NEW VALVE REPLACING P/N 22218 (PICTORIAL ONLY) PER E.O.#C-2221 RI	01-28-93	PJD



ITEM	QTY.	PART NO.	DESCRIPTION
6	A/R	00934	SEALANT, RECTORSEAL
5	6	101872	SCREW, THREAD CUTTING, #8-32 x .25
4	1	104284	BRACKET, MOUNTING, SOLENOID
3	2	104381	FITTING, HOSE BARB, 1/4 H x 1/4, ST.
2	4	105786	FITTING, HOSE BARB, 1/4 H x 1/4, 90°
1	3	22218	VALVE, SOLENOID, 1/4", N.C., 120 V

TOLERANCES (EXCEPT AS NOTED)		CLEVELAND RANGE INC. 1333 East 179th St. Cleveland, Ohio 44110-2574	
DECIMAL	± N/A	SCALE	1/2"=1
ANGULAR	± N/A	DRAWN BY	S. MILEWSKI
CK		TITLE	VALVE ASSEMBLY, WATER INLET STEAMCRAFT 10, ELECTRIC
		DATE	7-16-92
		DRAWING NO.	B - 105981
		REV.	B

THIS DESIGN DESCRIBES A PROPRIETARY ITEM AND IS THE PROPERTY OF CLEVELAND RANGE. THIS DRAWING IS NOT TO BE COPIED OR USED WITHOUT THE APPROVAL OF CLEVELAND RANGE.



PARKER
DRAIN
VALVE

ASSEMBLED
UNIT

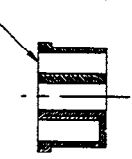
WATER
INLET

ITEM	QTY.	PART NO.	DESCRIPTION
10	A/R	00934	SEALANT, RECTORSEAL
9	1	22223	VALVE, SOLENOID, 1/4"
8	1	16619	PLUG, SQUARE HEAD, 1/4"
7	1	100084	BRACKET, MOUNTING CLAMP
6	1	20199	TEE, 1/4" BRASS
5	1	22102	VALVE, CHECK, 1/4"
4	3	14304	NIPPLE, 1/4 X CLOSE, BRASS
3	1	03276	VALVE, BALL, 1/4"
2	1	03873	COUPLING, 1/4"
1	2	104048	HOSE BARB, 1/4 MPT X 1/2 H

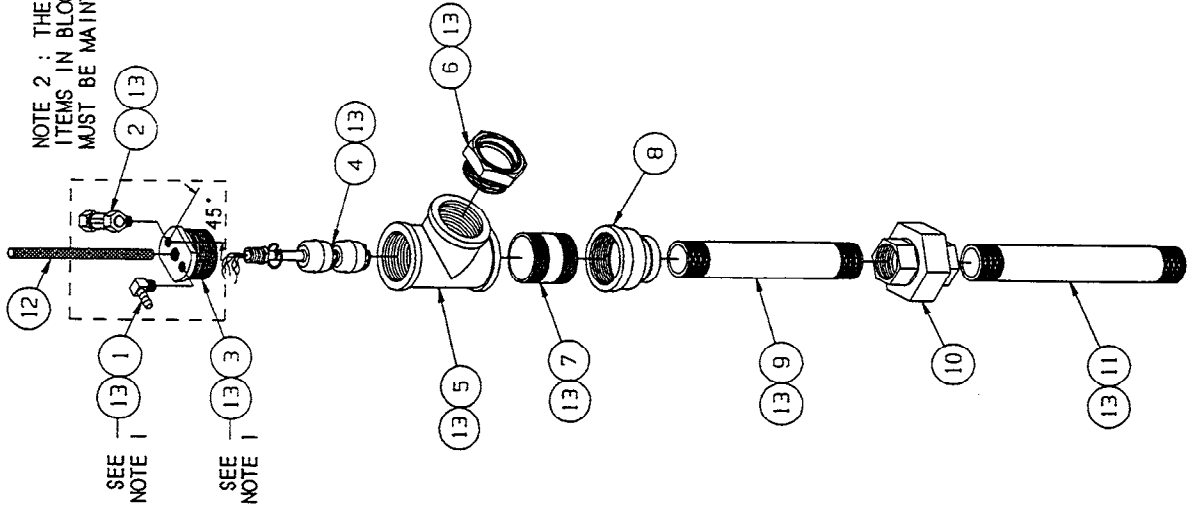
TOLERANCES (UNLESS OTHERWISE SPECIFIED)		CLEVELAND RANGE / INC. 1333 East 179th St., Cleveland, Ohio 44110-2574	
DECIMAL	± N/A	SCALE	1/2"=1"
ANGULAR	± N/A	TITLE	PIPING ASSY, WATER FEED, SC 10 GAS, VERTICAL, PRESSURE BOILER
CK		DATE	02-14-94
		DRAWING NO.	C - 106702
		REV.	-

THIS DESIGN DESCRIBES A PROPRIETARY ITEM
AND IS THE PROPERTY OF CLEVELAND RANGE.
THIS DRAWING IS NOT TO BE COPIED OR USED
WITHOUT THE APPROVAL OF CLEVELAND RANGE.

NOTE 1:
COMPRESSION TEE FITTING MUST BE
POSITIONED INTO THE STRAIGHT
THRU HOLE OF THE FLOAT ADAPTER



NOTE 2: THE POSITIONS OF
ITEMS IN BLOCK AT LEFT
MUST BE MAINTAINED AS SHOWN



AS ASSEMBLED
ON STEAMCRAFT 10
PRESSURE GENERATOR

THIS DESIGN DESCRIBES A PROPRIETARY ITEM
AND IS THE PROPERTY OF CLEVELAND RANGE.
THIS DRAWING IS NOT TO BE COPIED OR USED
WITHOUT THE APPROVAL OF CLEVELAND RANGE.

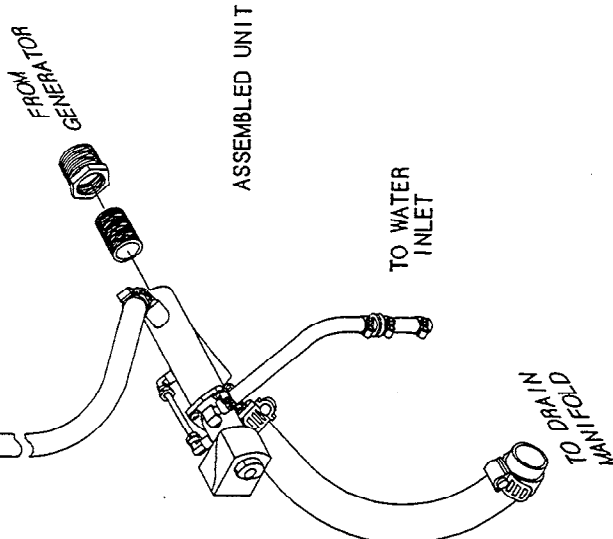
LET.	REVISIONS	DATE	BY
A	ADDED 14409, 14409 AND 21306 TO ASSEMBLY. REVISED PRICE TO RELEASE.	4/7/94	DLD
B	CHANGED NOTE 1 (COMPRESSION TEE FITTING WAS HOSE BARB FITTING), ED C-2818.	5/18/94	DLD
C	ADDED 1070540800 PER EO C-2688	7/05/94	PJD
D	REPLACED 20253 WITH 20253 AND REPLACED 143821 WITH 14281. PER ED 4C-2718.	8/26/94	DLD

A/R	DESCRIPTION
13	00934 SEALANT, RECTORSEAL
12	1070540800 SLEEVING, FIBERGLASS BRAID .330" ID X 8' LG
11	14409 NIPPLE, 1 X 10, BLACK
10	21306 UNION, 1", BLACK
9	14408 NIPPLE, 1 X 9, BLACK
8	105763 COUPLING, REDUCER, 1-1/2" X 1", BLACK
7	14294 NIPPLE, 1-1/2" X CLOSE, BRASS
6	105227 SIGHT WINDOW, 1-1/2" NPT, BRASS
5	20253 TEE, 1-1/2" NPT, BRASS
4	105225 SWITCH, FLOAT, 3 SW, S/S
3	105224 FITTING, FLOAT ADAPTER 1-1/2 BRASS
2	06184 FITTING, COMP. TEE 3/8 T X 3/8 T X 1/8 NPT
1	105787 FITTING, HOSE BARB 1/4 H X 1/8 NPT, 90°
ITEM	QTY. PART NO. DESCRIPTION

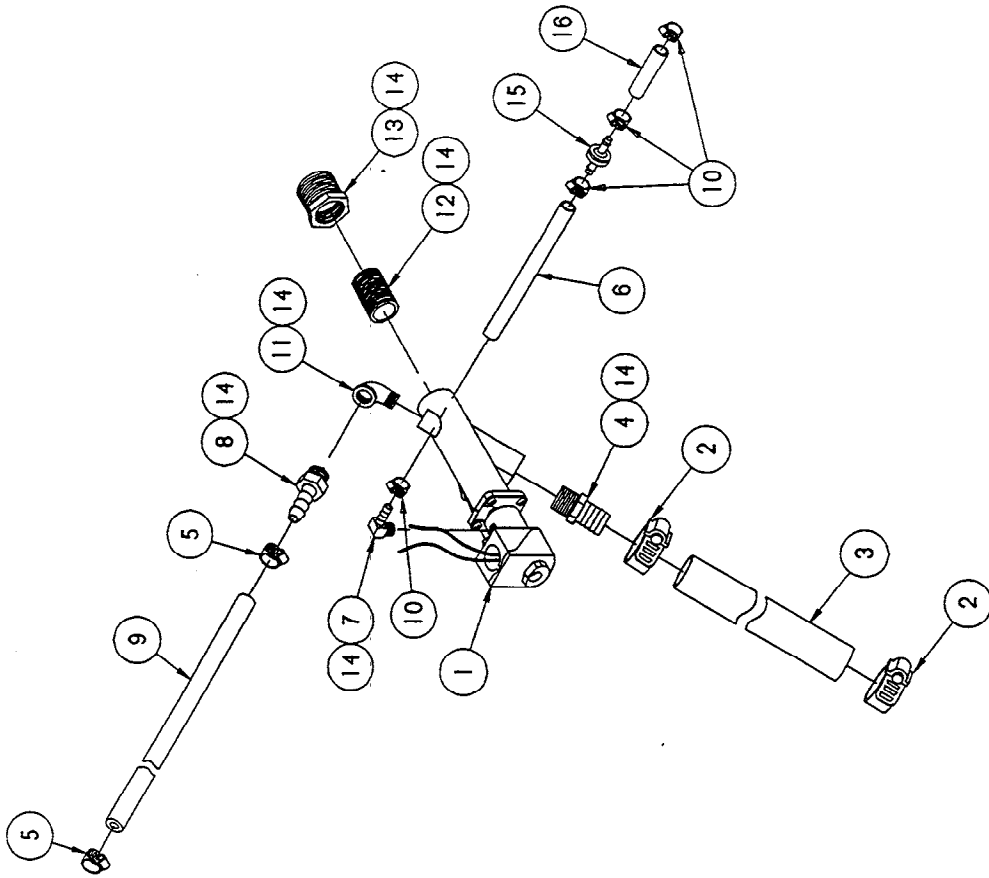
CLEVELAND RANGE INC. 1333 East 179th St. Cleveland, Ohio 44110-2574	
SCALE 1/4	DRAWN BY DUTCHMAN APPROVED BY -
TITLE FLOAT ASSY., SC10 250,000 BTU	
DATE 02-14-94	ENG. NO. B - 106690
CK	REV. D

LET.	REVISIONS	DATE	BY
A	SEE E.O. 10-2688	07-05-94	JD

TO WATER TREE



NOTE:
1.) FOR INSTALLATION OF CHECK VALVE
SEE INSTRUCTION DRAWING 260AKR

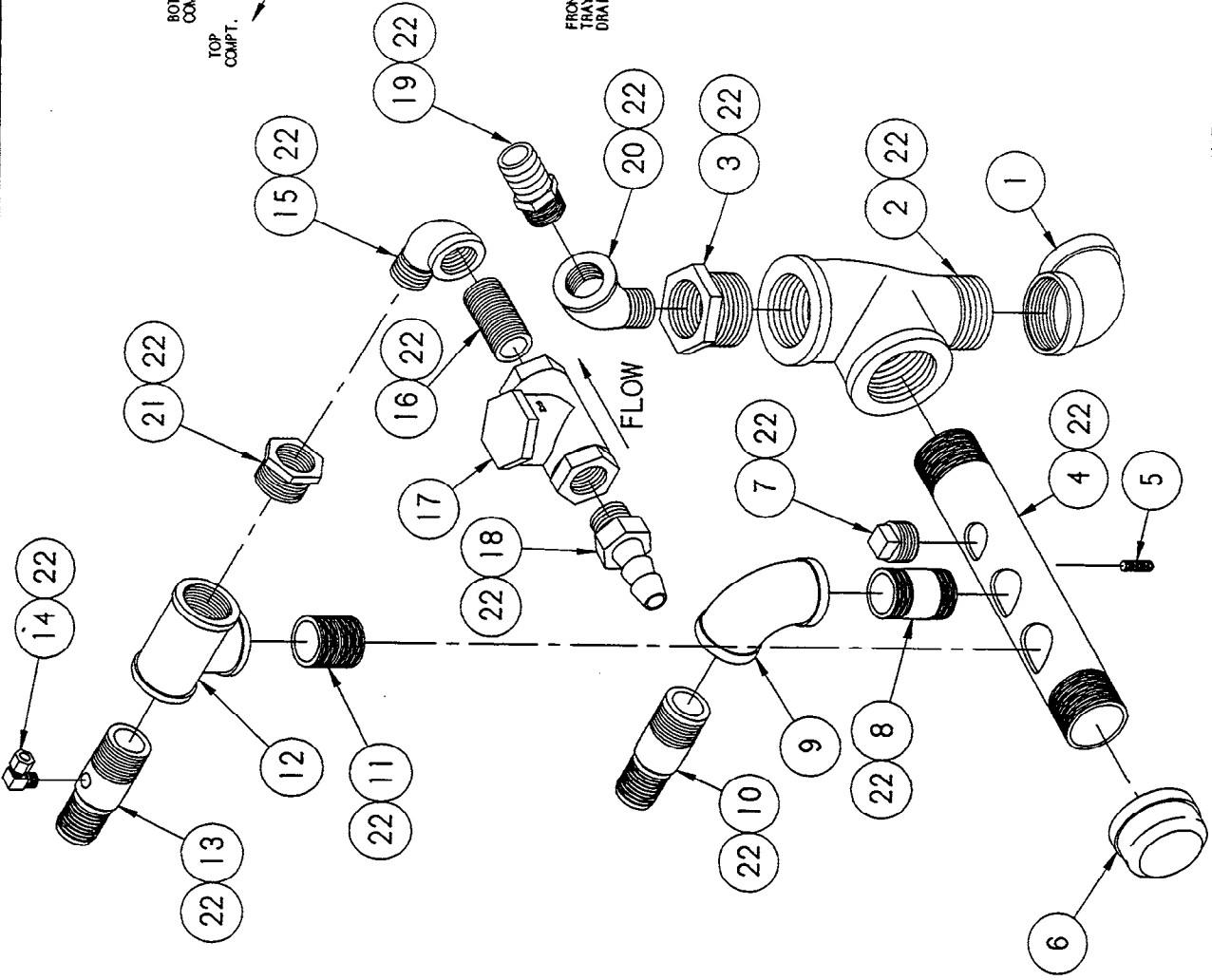
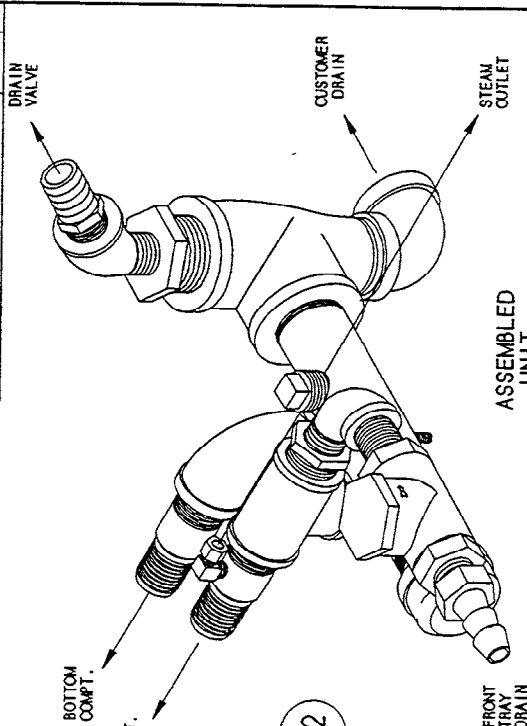


ITEM	QTY.	PART NO.	DESCRIPTION
16	1	1058500200	HOSE, NT-80 1/4 X 1/2 X 2' LG.
15	1	107032	CHECK VALVE, PLASTIC DIAPHRAGM
14	A/A	00934	SEALANT, RECTORSSEAL
13	-	02398	BUSHING, HEX. 1 X 3/4
12	-	14313	NIPPLE, 3/4 X CLOSE, BLACK
11	1	05235	ELBOW, STREET, 90° X 1/4", BRASS
10	4	108528	CLAMP, METAL, WORM DRIVE, 3/16 X 5/16
9	1	1058494100	HOSE, NT-80, 1/2 X 3/4 X 44" LG.
8	1	104048	FITTING, HOSE 1/2 H X 1/4 NPT, STR.
7	1	105787	FITTING, HOSE 1/4 H X 1/8 NPT, 90°
6	1	1058500600	HOSE, NT-80, 1/4 X 1/2 X 6" LG.
5	2	106219	CLAMP, METAL, WORM DRIVE, 1/4 X 25/32
4	1	06185	FITTING, HOSE BARB 3/4 NPT X 1" H, STR.
3	1	1054690950	HOSE, EPDM, BLACK 1" ID X 6.5" LG.
2	2	03204	CLAMP, METAL, WORM DRIVE - 812 X 1.500
1	1	22244	VALVE, DRAIN, PARKER

CLEVELAND RANGE INC.		APPROVED BY	
1333 East 179th St. Cleveland, Ohio 44110-2574		DUTCHMAN	
SCALE	3/8"-1	VALVE ASSEMBLY, DRAIN	
TITLE		STEAMCRAFT 10, GAS, PRESSURE	
DATE	02-14-94	DRAWING NO.	C - 106687
CK		REV.	A

THIS DESIGN DESCRIBES A PROPRIETARY ITEM AND IS THE PROPERTY OF CLEVELAND RANGE. THIS DRAWING IS NOT TO BE COPIED OR USED WITHOUT THE APPROVAL OF CLEVELAND RANGE.

LET.	REVISIONS	DATE	BY
A	REPLACED 06231 WITH 06192 AND ADDED 02337. SEE E.O. C-2818.	4/28/94	DLD
B	REPLACED 06237 WITH 06240, 22149 WITH 06241 AND 06242 WITH 06253 WITH 06248. AND 06232, 06211, ADDED 02338. SEE E.O. C-2810.	8/6/94	DLD



QTY.	ITEM	DESCRIPTION
22	A/R	00934 SEALANT, RECTORSEAL
1	21	BUSHING, HEX, 1" X 3/4", BLACK
1	20	ELBOW, 45°, STREET, 3/4", BLACK
1	19	FITTING, HOSE 3/4" X 1" HOSE, BRASS
1	18	FITTING, HOSE BARB 3/4" X 3/4" NPT
1	17	VALVE, CHECK, 3/4"
1	16	NIPPLE, 3/4" X CLOSE, BLACK
1	15	ELBOW, STREET, 3/4" X 90°, BLACK
1	14	FITTING, COMP. 1/4" X 1/8" NPT, 90°
1	13	FITTING, HOSE-DRAIN MANIFOLD W/ 1/8" HOLE
1	12	TEE, 1", BLACK
1	11	NIPPLE, 1" X CLOSE, BLACK
1	10	FITTING, HOSE BARB TO NPT 1" X 1"
1	9	ELBOW, 1" X 90°
1	8	NIPPLE, 1" X 2-1/2" LG.
1	7	PLUG, SQUARE HEAD, 3/4", BLACK
1	6	CAP, PIPE, 1-1/2" MALLEABLE IRON
1	5	STUD, WELD 1/4"-20 X 7/8, S/S
1	4	MANIFOLD, DRAIN 1-1/2" NPT, BLACK
1	3	BUSHING, REDUCING, 1-1/2" X 3/4"
1	2	TEE, MALE RUN, 1-1/2", BLACK
1	1	ELBOW, 1-1/2" NPT X 90°, BLACK

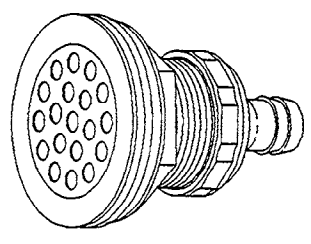
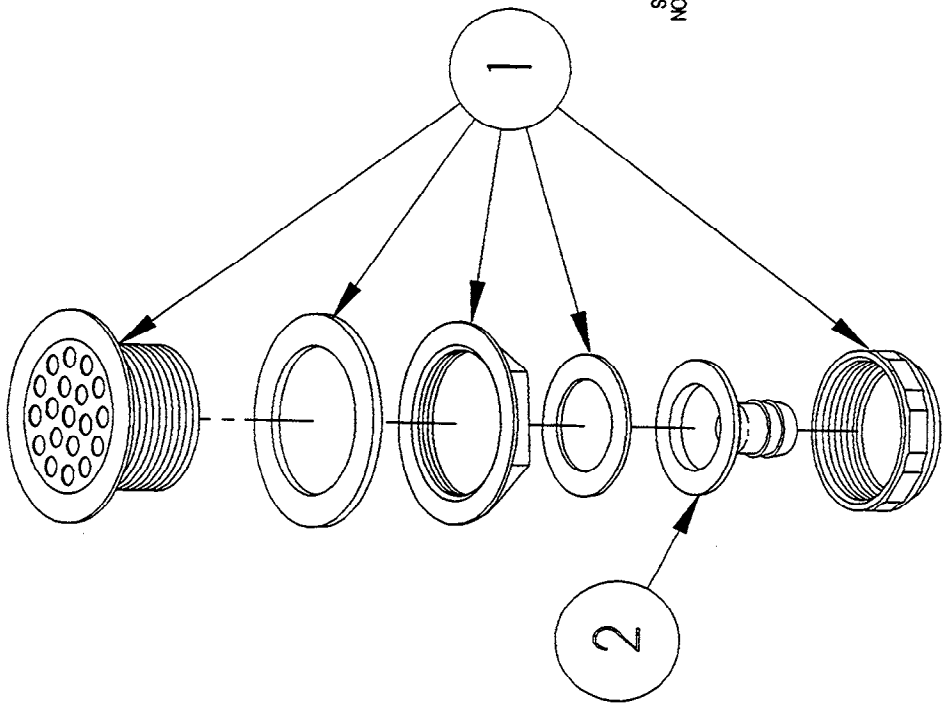
TOLERANCES	UNLESS OTHERWISE SPECIFIED
DECIMAL	± 0.005
FRACTIONAL	± 1/32"
ANGLE	± 1/2°
WELD	± 0.005
ITEM QTY.	PART NO.
DESCRIPTION	
CLEVELAND RANGE INC	
1333 East 179th St., Cleveland, Ohio 44110-2574	
SCALE	1/2" = 1"
DRAWN BY	DUTCHMAN
APPROVED BY	
TITLE	DRAIN, MANIFOLD, ASSEMBLY
	STEAMCRAFT 10, GAS, PRESSURE
DATE	10-13-93
CK	DRAWING NO. C - 106f
REV.	B

NOTE:
SEE DRAWING 260AHV FOR STUD LOCATION INSTRUCTIONS

THIS DESIGN DESCRIBES A PROPRIETARY ITEM AND IS THE PROPERTY OF CLEVELAND RANGE. THIS DRAWING IS NOT TO BE COPIED OR USED WITHOUT APPROVAL OF CLEVELAND RANGE.

LET.	REVISIONS	DATE	BY
------	-----------	------	----

NOTE:
 REMOVE AND DISCARD PLASTIC TAIL PIECE;
 REPLACE WITH ITEM 2

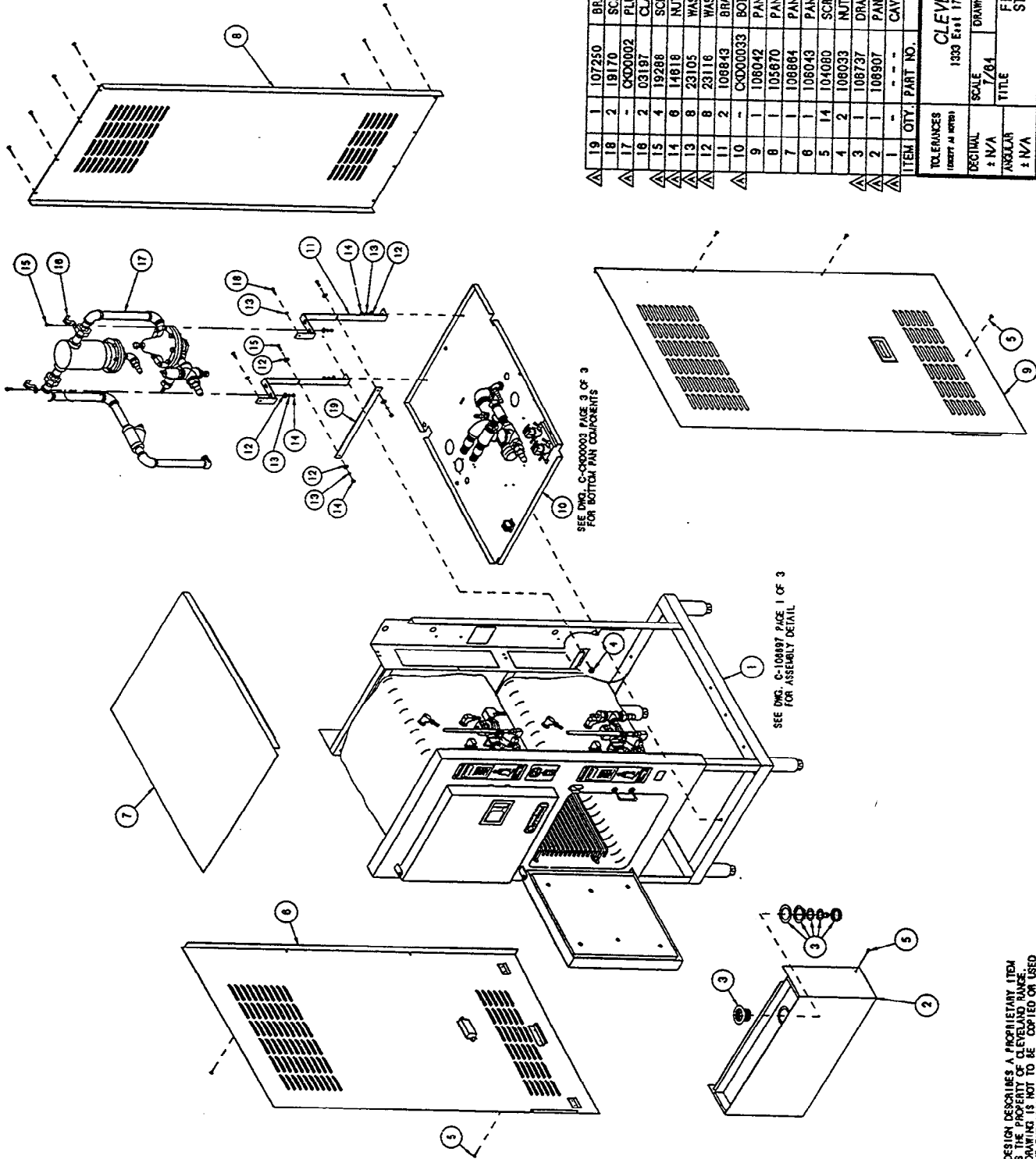


SEE NOTE

2	1	106736	TAIL PIECE, DRAIN
1	1	105280	DRAIN, FITTING HOSE ADAPTER
ITEM	QTY.	PART NO.	DESCRIPTION
TOLERANCES (EXCEPT AS NOTED)			
DECIMAL	SCALE 1/2"		
: N/A	DRAWN BY ATHERTON APPROVED BY		
ANGULAR	TITLE		
: N/A	DRAIN ASSEMBLY		
TABLETOPS AND STEAMCRAFT 10			
DATE	DRAWING NO.	REV.	
01-06-92	A-106737	-	

CLEVELAND RANGE INC.
 1333 East 179th St., Cleveland, Ohio 44110-2574

THIS DESIGN DESCRIBES A PROPRIETARY ITEM
 AND IS THE PROPERTY OF CLEVELAND RANGE.
 THIS DRAWING IS NOT TO BE COPIED OR USED
 WITHOUT THE APPROVAL OF CLEVELAND RANGE.



SEE DWG. C-000003 PAGE 3 OF 3 FOR BOTTOM PAN COMPONENTS

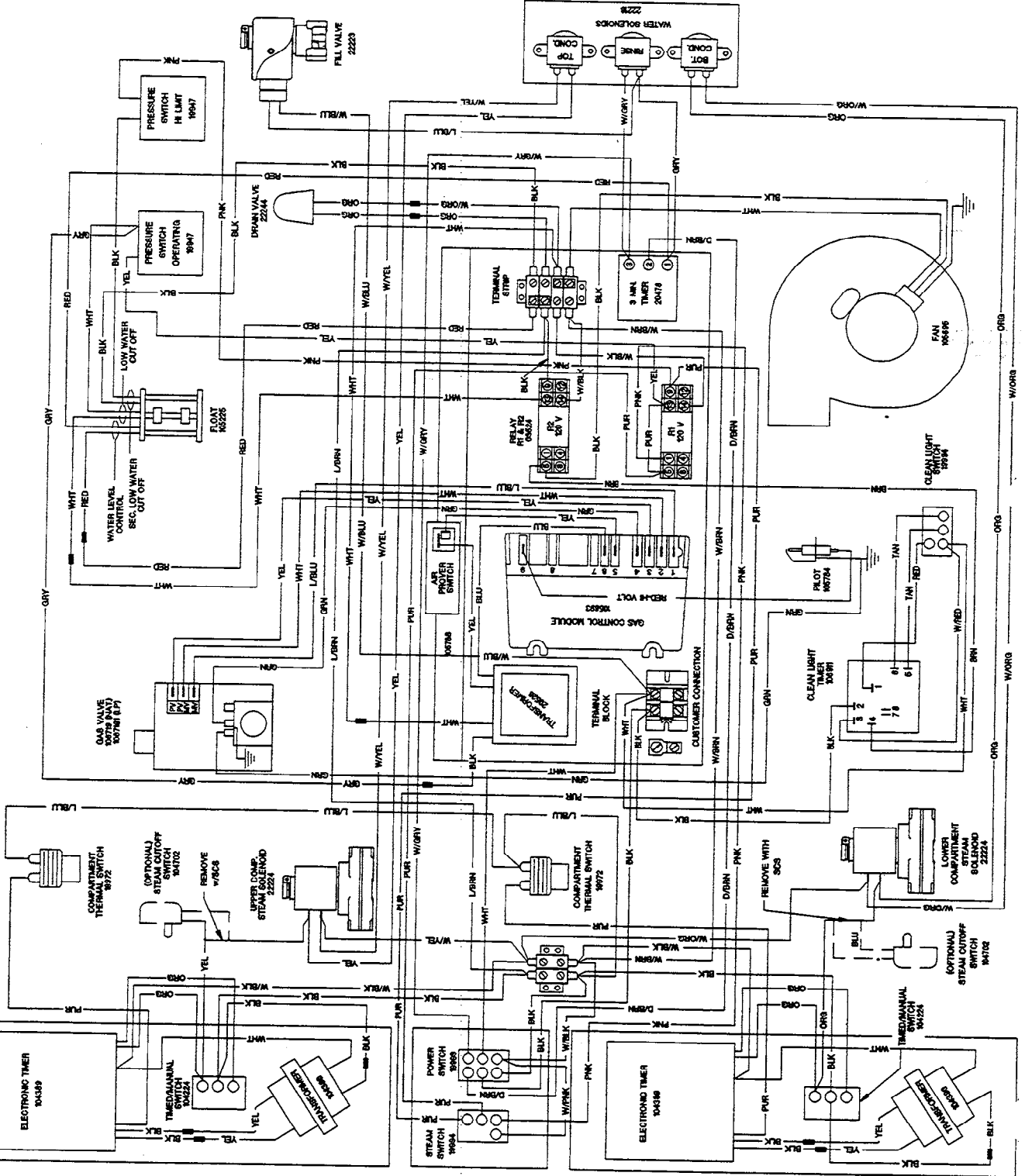
SEE DWG. C-10897 PAGE 1 OF 3 FOR ASSEMBLY DETAIL

ITEM	QTY	PART NO.	DESCRIPTION
19	1	107250	BRACKET, SUPPORT, PLUMBING
18	2	19170	SCREW, HEX, 1/4-20 X 5/8
17	-	CX000002	PLUMBING, SC 10, DIRECT CONNECT
16	2	03197	CLAMP, RIGID 3/4" HOLE
15	4	19288	SCREW, HEX, 1/4-20 X 3/4
14	6	14818	NUT, HEX 1/4-20
13	8	23105	WASHER, LOCK, 1/4"
12	8	23116	WASHER, FLAT 1/4 X 5/8 X .085
11	2	108843	BRACKET, SUPPORT, SC 10 DC
10	-	CX000033	BOTTOM PAN COMPONENTS ASSEMBLY
9	1	106042	PANEL ASSY, SIDE, RIGHT, SC 10
8	1	105670	PANEL, BACK, SC 10
7	1	108884	PANEL, TOP, SC 10 ELECTRIC
6	1	106043	PANEL ASSY, SIDE, LEFT, SC 10
5	14	104080	SCREW, TRUSS HD, SHT, MET, #8 X 1/2
4	2	108033	NUT, TINNED
3	1	108737	DRAIN ASSY, TABLETOPS AND SC 10
2	1	108907	PANEL ASSY, LOWER FRONT, 4"
1	-	-	CAVITY ASSEMBLY WITH DOORS, SC 10

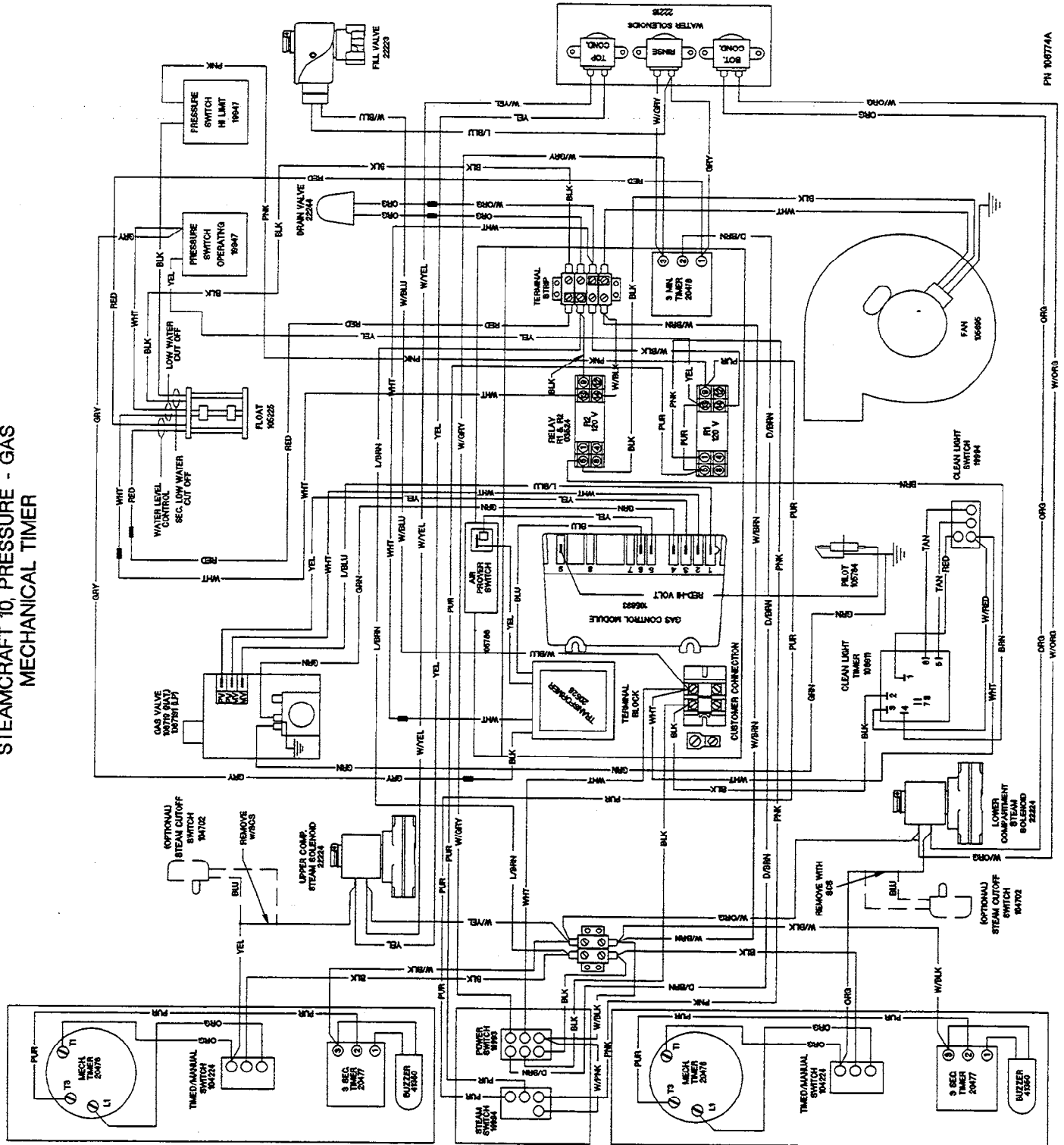
CLEVELAND RANGE, INC.
 1333 East 179th St. Cleveland, Ohio 44110-2374
 SCALE: 7/84
 DRAWN BY: DUTORMAN
 APPROVED BY:
 TITLE: FINAL ASSEMBLY H.L. STEAMCRAFT POWER 10 DIRECT CONNECT
 DATE: 03-17-94
 DRAWING NO.: C - C-000003
 REV. PAGE 2 OF 3
 CK

THIS DESIGN DESCRIBES A PROPRIETARY ITEM AND IS THE PROPERTY OF CLEVELAND RANGE. THIS DRAWING IS NOT TO BE COPIED OR USED WITHOUT THE APPROVAL OF CLEVELAND RANGE.

STEAMCRAFT 10, PRESSURE - GAS ELECTRONIC TIMER



STEAMCRAFT 10, PRESSURE - GAS MECHANICAL TIMER



PN 181774A

W/O ORG

ORG

W/O ORG

ORG

W/O ORG

STEAMCRAFT 10, PRESSURE - GAS ON/OFF SWITCH

