

# Patio® BISTRO

---

Small Grill Size, **BIG** Grill Features™

## assembly guide

Model Numbers:

08601559-16  
10601578-16  
10601578-A1  
10601514-16  
10601610  
10601611



Estimated time required for assembly: 1 Hour



# ELECTRIC

(English)

42804564 • 1/12/10

**CAUTION:** For your safety, before operating, Read Product Guide & Outdoor Cooking Guide provided with this grill.

**\*SAFETY First.....**Grill components may have sharp edges. Be careful when handling grill parts during assembly. We suggest that you wear a sturdy pair of leather gloves while handling the grill parts.

### BEFORE You begin assembly of your grill....

1. Carefully remove all components from the carton.
2. Familiarize yourself with the components and hardware used for assembly.
3. Please note that hardware used for assembly may not be shown actual size..
4. After removing components from the carton, split the carton open and use it as a soft, scratch-free work pad to assemble your grill.

### BEFORE You Grill....

1. Read Product Guide & Outdoor Cooking Guide
2. Position Grill Safely away from walls & structures.
3. Pre- Heat Grill—15 minutes on **5**, High to season grill.

### TIPS & Tricks.....

First - Go to [charbroil.com](http://charbroil.com) to register your grill.

Take a moment to record the serial number here: \_\_\_\_\_

When grilling, preheat your grill for 10 to 15 minutes with the lid down.

After grilling—the Bistro can be turned on **5**, **High** for cleaning and burning off the grates. - Use a wire brush to brush off the grates.

A light coat of oil on the grate will help prevent foods like fish and vegetables from sticking to the grate.

### NOTE....

Installer: Leave instructions with the grill.

Consumer: Retain instructions for reference.  
Grill must be installed in accordance with local codes....

Designed for outdoor use only..

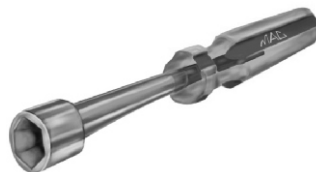
Read all instructions before operating...

### TOOLS REQUIRED FOR ASSEMBLY

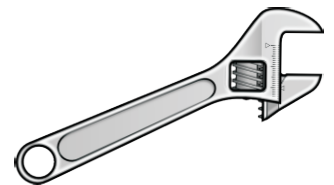
(Not Supplied)



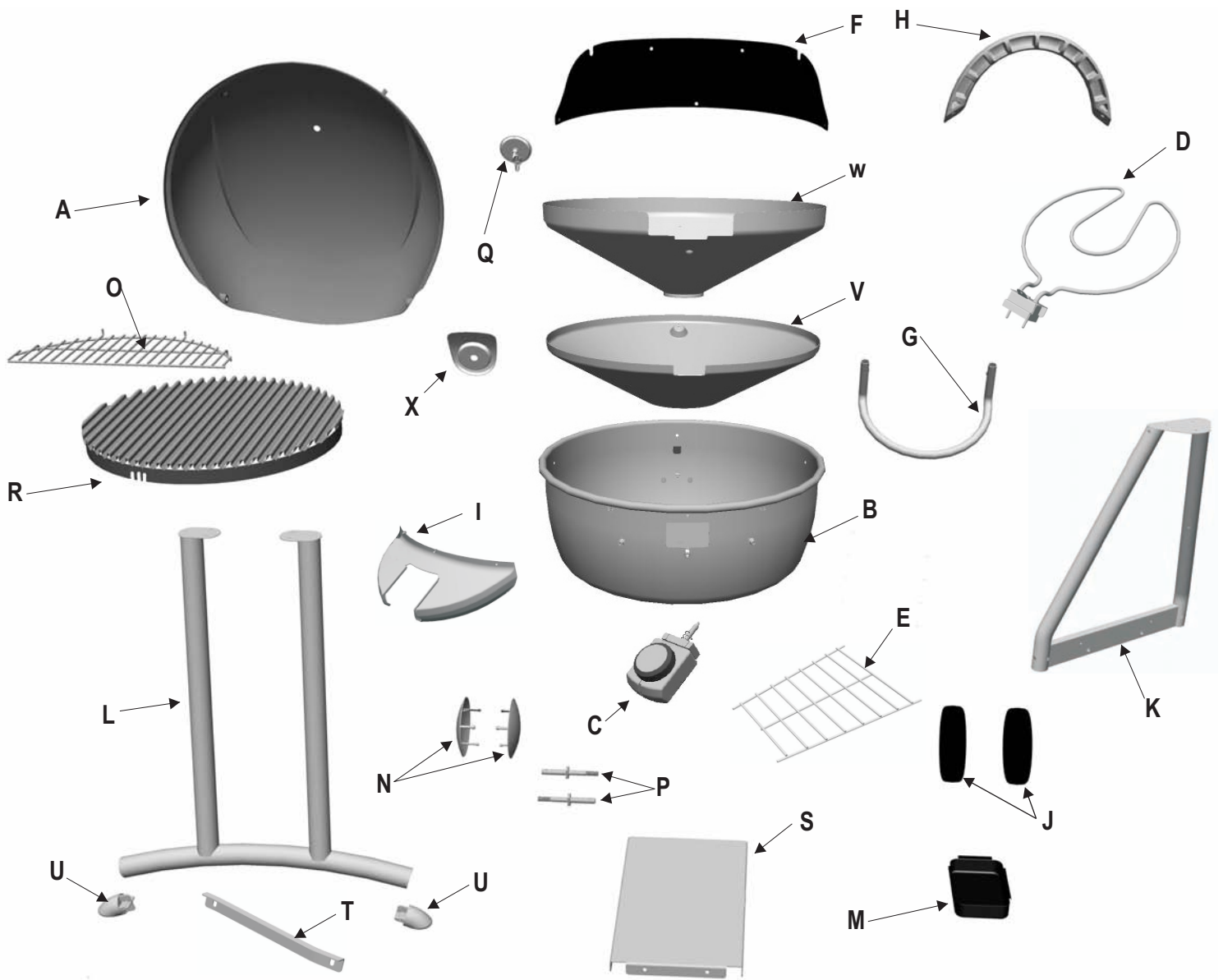
Phillips Head  
Screwdriver



3/8" Nut Driver



Small Adjustable  
Wrench



Key	Qty	Description
A	1	Grill Lid
B	1	Lower Body
C	1	Controller
D	1	Element Assembly
E	1	Wire Shelf
F	1	Wind Shield
G	1	Towel Bar
H	1	Lid Handle
I	1	Control Panel
J	2	Wheel
K	1	Rear Leg Set
L	1	Front Leg Set

Key	Qty	Description
M	1	Grease Tray
N	2	Hubcap
O	1	Warming Rack
P	2	Axle
Q	1	Heat Indicator
R	1	Cooking Grate
S	1	Cart Base
T	1	Cart Bracket
U	2	Leg Caps
V	1	Heat Shield
W	1	Inner Reflector
X	1	Bezel

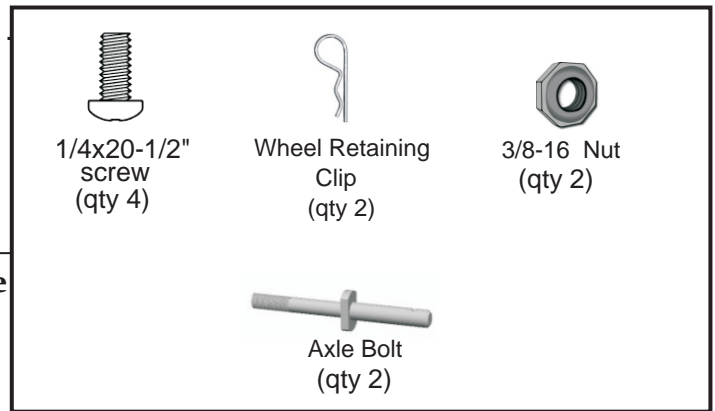
Key	Qty	Description
---	1	Hardware Pack
---	1	Assembly Guide, English
—	1	Assembly Guide, Spanish, optional
—	1	Assembly Guide, French, optional
—	1	Product Guide, English
—	1	Product Guide, Spanish, optional
—	1	Product Guide, French, optional
—	1	Grilling Guide

NOTE: Some grill parts shown in the parts list may differ slightly in appearance from those on your particular model.

# A

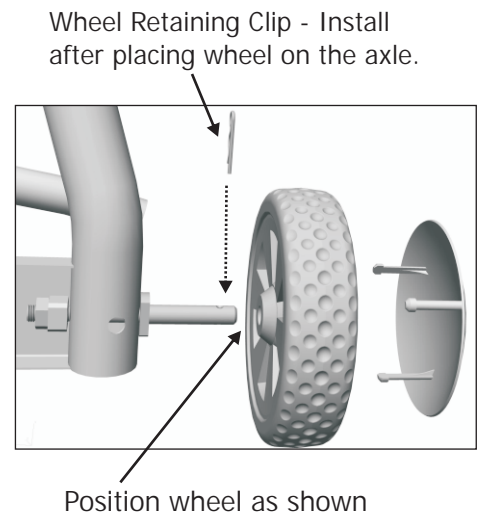
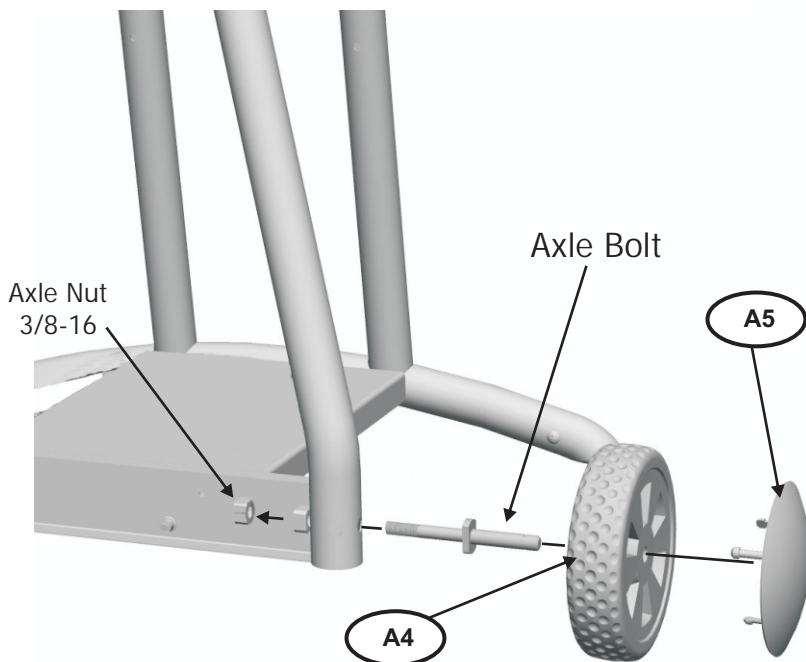
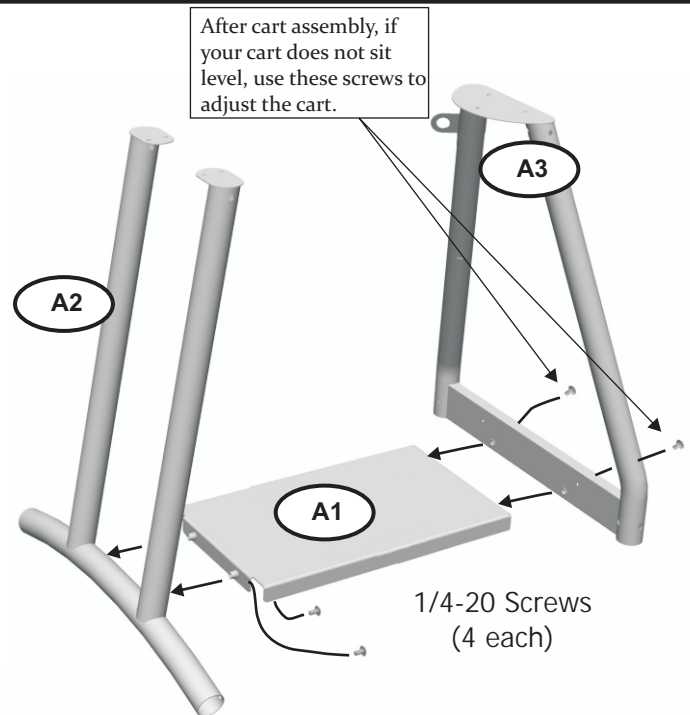
Part	Qty
A1- Cart Base	1
A2- Front Leg Set	1
A3- Rear Leg Set	1
A4- Wheels	2
A5- Hubcap	2

Fasteners



**Step 1-** Attach **Front Leg Set (A2)** to the **Cart Base (A1)** using 2 **1/4-20 screws**. Attach **Rear Leg Set (A3)** to the **Cart Base (A1)** in the same manner, using 2 **1/4-20 screws**.

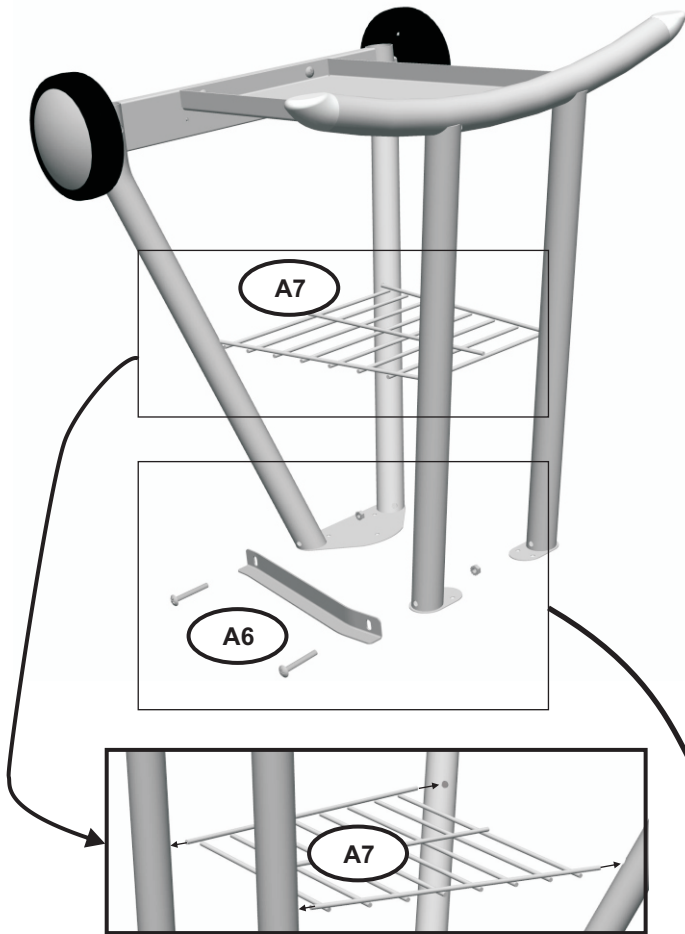
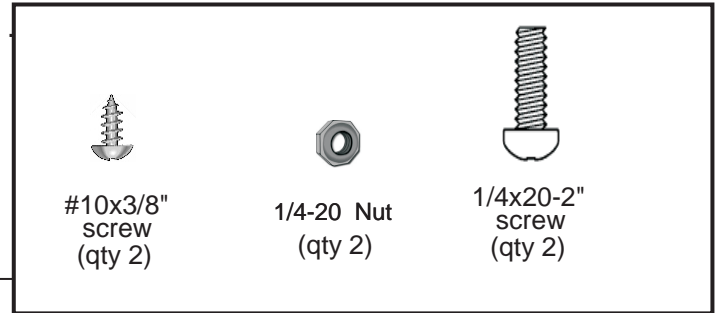
**Step 2-** Attach 2 **Axle Bolts** to the **Rear Leg Set (A3)**, thread a **3/8-16 nut** as shown and tighten securely using a small adjustable wrench. Slide a **Wheel (A4)** over an **Axle Bolt** and secure using a **Wheel Retaining Clip**. Repeat for other side. Position and Snap into place the **Wheel Hubcaps (A5)**.



# A

Part	Qty
A6- Cart Bracket	1
A7- Wire Shelf	1
A8- Leg End Cap	2

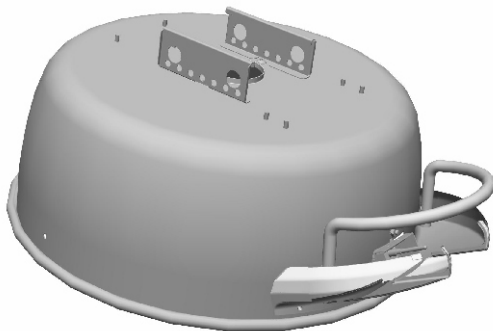
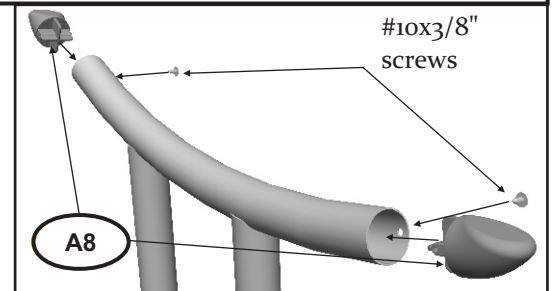
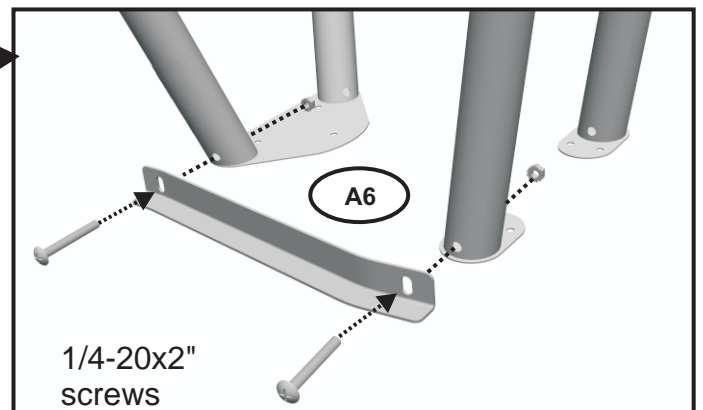
Fasteners



**Step 3** - Carefully turn the **Cart Assembly** over and allow it to rest on the tops of the leg assemblies. Spread the leg assemblies apart just far enough to allow the insertion of the **Wire Shelf (A7)** into the 4 leg holes. Assemble the **Cart Bracket (A6)** to the **Cart Assembly** by inserting 2 each **1/4-20x2"** screws into into corresponding holes as shown. Allow the **Cart Bracket** to rest on the floor, this will help with alignment. Secure with 2 each, **1/4-20 nuts** using a small adjustable wrench, not supplied. **DO NOT TIGHTEN AT THIS POINT.** The bracket will be tightened in step B2.

Be sure to install **Cart Bracket (A6)** on the side shown. Once complete -leave the cart in the upside down position.

Lastly, insert the **Leg End Caps (A8)** into the front legs and secure with 1 each **#10x3/8"** screw.


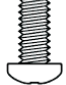





Place the Grill Bottom on the carton pad upside down in preparation for the next step.

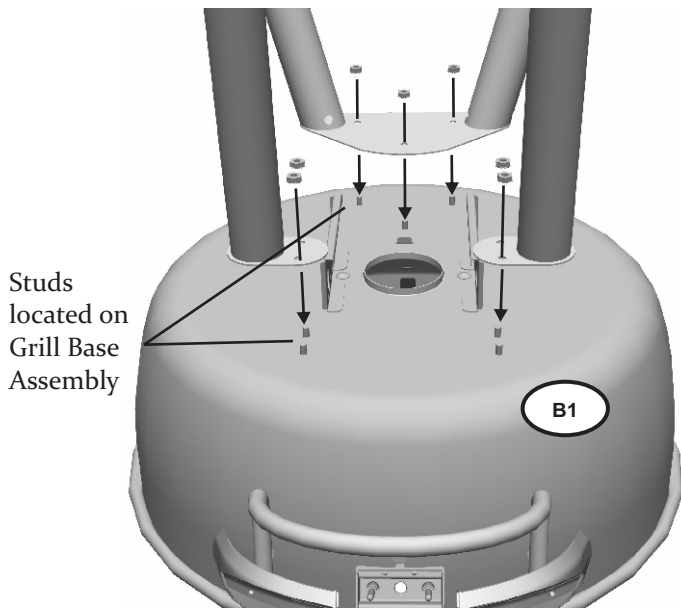
# B

Part	Qty.
<b>B1</b> – Grill Base	1
<b>B2</b> – Wind Shield	1
<b>B3</b> – Grill Lid	1

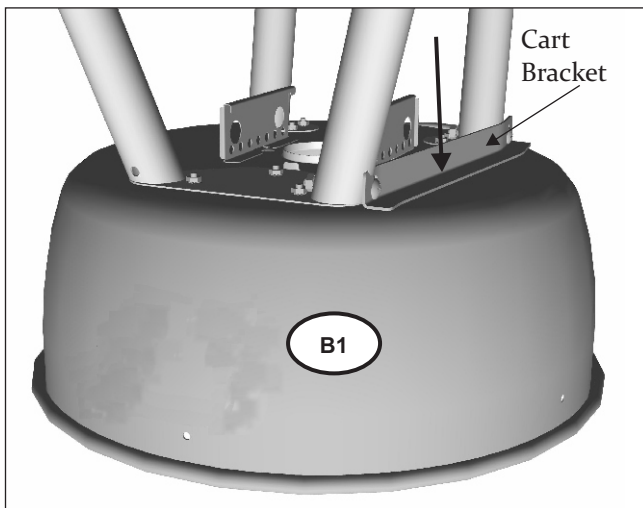
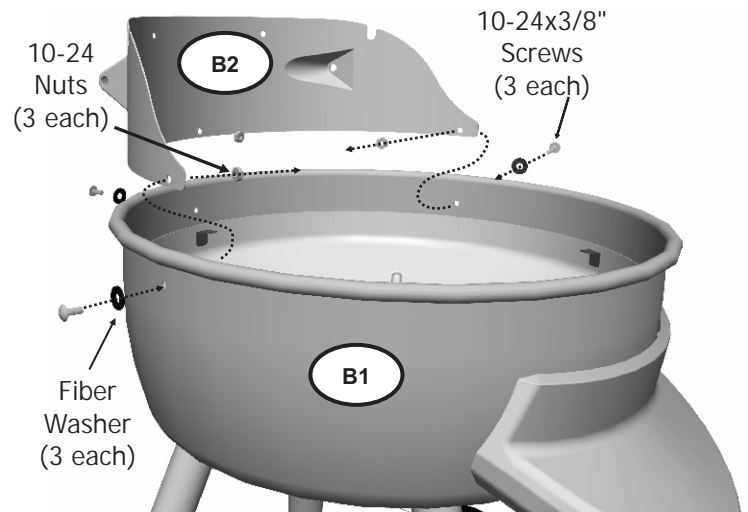
Fasteners

				
10-24x3/8" screw (qty 3)	1/4-20x3/4" Hinge screw (qty 2)	Fiber Washer (qty 5)	1/4-20 Nut (qty 2)	10-24 Nut (qty 10)

**Step 1** - Attach the **Grill Base Assembly (B1)** to the **Cart Assembly** by aligning the studs on the bottom of the grill with the corresponding holes in the tops of the leg assemblies. Secure with 7 each **10-24 nuts**. A 3/8" Nut Driver (not supplied) will work nicely for this step.

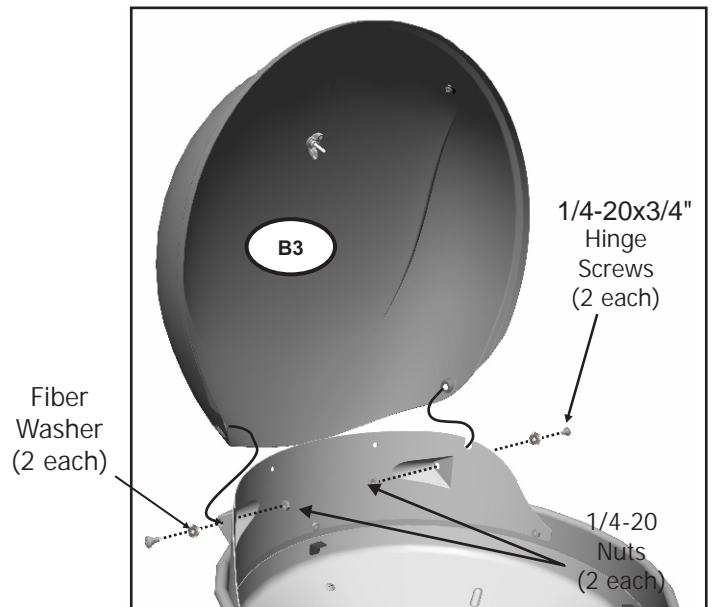


**Step 3** - Attach the **Windshield (B2)** to the **Grill Base (B1)** by aligning the holes in the panels with the corresponding holes in the **Grill Base**. Secure with 3 **10-24 nuts**, 3 **10-24x3/8" screws**, and 3 **fiber washers**. The **Windshield** will rest inside the **Grill Base**.



**Step 2** - Press the **Cart Bracket** tightly against the **Grill Base (B1)** and tighten the screws. Once complete, turn the grill over to the upright position.

**Step 4** - Attach the **Grill Lid (B3)** by aligning the hinge holes in the lid to the matching holes in the **Windshield (B2)**. Insert 2 **Hinge Screws** into the holes and secure with 2 **1/4-20 nuts** and two **Fiber washers** from the inside of the grill.

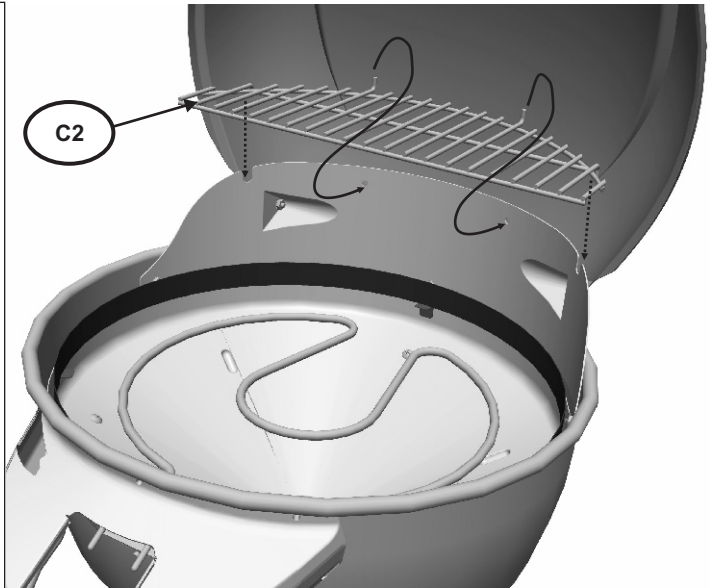
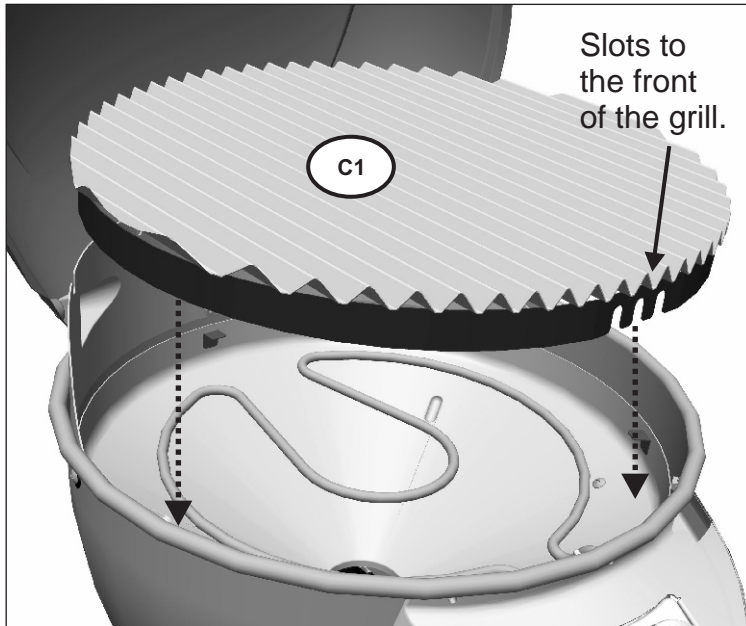


C

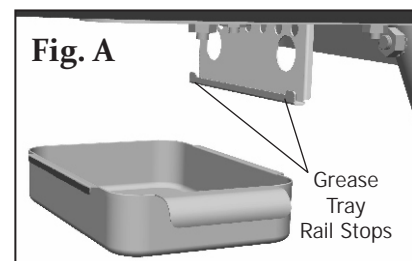
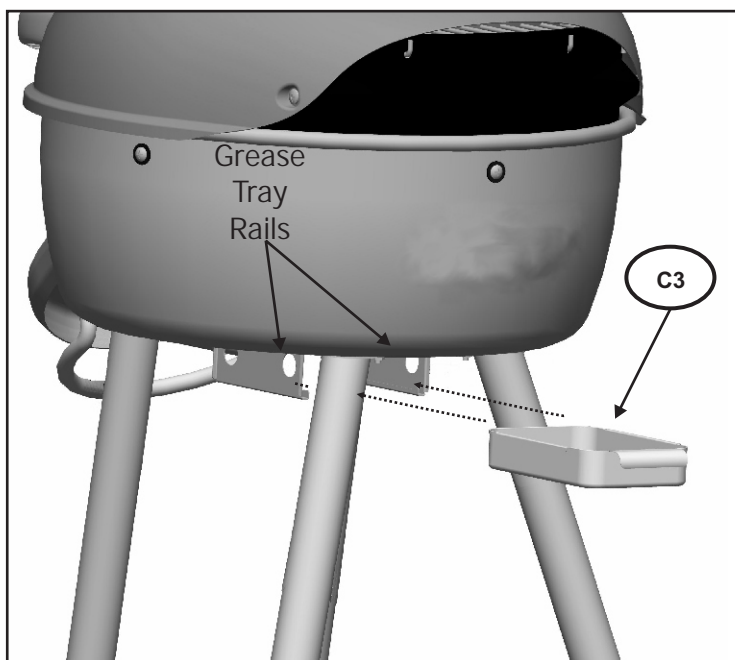
Part	Qty.
C1 – Cooking Grate	1
C2 – Warming Rack	1
C3 – Grease tray	1

**NOTE:** The **Cooking Grate** may have sharp edges. Be very careful when handling the **Cooking Grate**. You should wear gloves when handling the **Cooking Grate**.

**Step 1** - With the **Grill Lid** open, place the **Cooking Grate (C1)** into the **Grill Base**, allowing it to rest on the three brackets spaced around the **Grill Base**. Be sure the slots in the **Cooking Grate** are facing the front of the grill. Place the **Warming Rack (C2)** into position by first hooking the center pins into the windshield, then rotate the warming rack down into position.



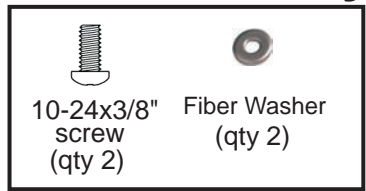
**Step 2** - Install the **Grease Tray (C3)** by sliding the tray onto the **Grease Tray Rails** from the rear of the grill. **Note:** The grease tray rests between the grease tray rail stops. See detail shown in **Figure A**.



# C

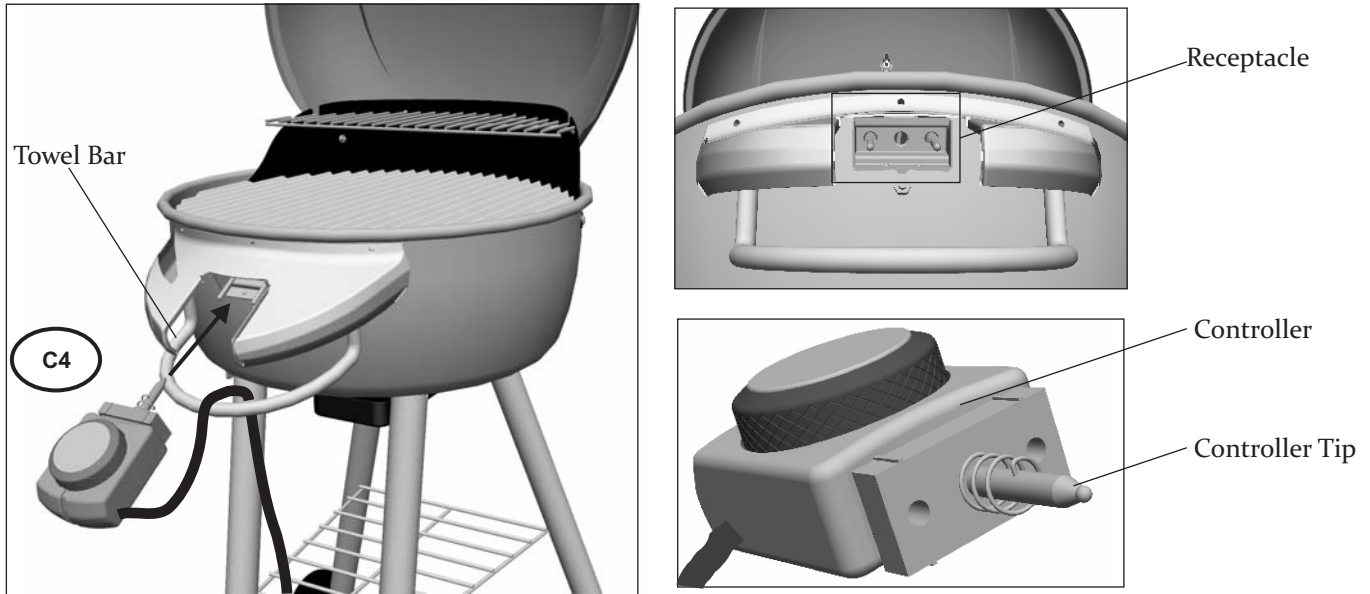
Part	Qty.
C4 – Controller	1
C5 – Lid Handle	1

**Fasteners**

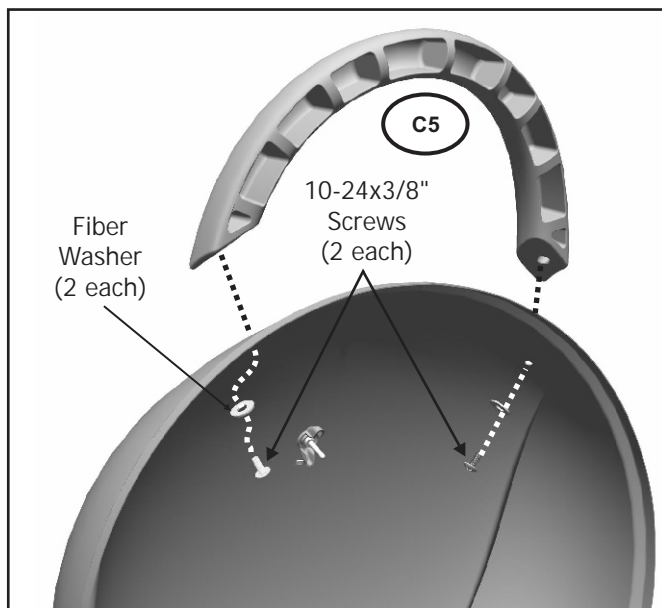


**NOTE:** Be sure to press the controller into the receptacle as far as it will go. Route the controller cord **BEHIND** the towel bar as shown.

**Step 1** - Install the **Controller (C4)** into the receptacle. Be sure to route the controller cord behind the towel bar when installing the controller. The control knob should be facing up as you engage the tip of the controller into the receptacle.



**Step 2** - Install the **Lid Handle (C5)** with 2 10-24x3/8" screws and 2 fiber washers as shown.



**Ground Fault Interrupter**

- Since 1971 the National Electric Code (NEC) has required Ground Fault Interrupter devices on all outdoor circuits.
- If your residence was built before 1971, check with a qualified electrician to determine if a Ground Fault Interrupter protector exists.
- Do not use this appliance if the circuit does not have GFI protection.
- Do not plug this appliance into an indoor circuit.

**Congratulations!** You have successfully completed the assembly of your grill.

