

CAPPUCCINO DISPENSERS

GB4M-5.5-LD-U
GB5-LD-U

GB6M-10-LD-U
GB8M-10-LD-U



GB4M-5.5-LD-U

GB8M-10-LD-U



Cecilware sells value... Worldwide

Cecilware Corporation

43-05 20th Avenue, Long Island City, NY 11105

Tel: 718-932-1414

Fax: 718-932-7860

800-935-2211

E-Mail: customer.service@cecilware.com



Website: www.cecilware.com

Operation Manual
NL48A July 2005

CONTENTS

Important Owner Information	1
Introduction	1
Important Safety Instructions	2
Model Description	3
Specifications	3
Plug Configurations	3
Installation	4
Start-up Procedure	5
Troubleshooting Guide	6
Recommended Cleaning and Sanitizing	7
Dual Probe Liquid Level Controller	8
Components Tests	9
Hopper Assembly	10
Whipper Chambers	11
Body Frame	12
Electrical Chassis	21
Upper Door	22
Lower Door	23
Hot Water Tanks	24
Electrical diagram	26

IMPORTANT OWNER INFORMATION

Record the model number, serial number (identification plate is located behind front door), voltage and purchase date of your Cecilware Cappuccino Dispenser in the spaces below. Please have the information available when calling Cecilware for assistance.

Model #: _____

Serial #: _____

Voltage: _____

Date of Purchase: _____

Business Hours: 8:30 a.m. to 5:00 p.m.
Eastern Standard Time

Telephone: 800-935-2211; 718-932-1414

Fax: 718-932-7860




Additional information can be found by visiting our web site at www.cecilware.com

INTRODUCTION

The Cecilware 5, 6, & 8 head instant Cappuccino Dispenser is designed to meet the exact needs of the Convenience Store atmosphere.

Cecilware has led the way in the highly profitable and growing market of Cappuccino with its GB series of Automatic Cappuccino Dispensers. Having set the standard for reliability, Cecilware also leads the way in variety with over 50 different models to choose from.

With the introduction of Cecilware GB4M-5.5-10-LD-U, GB5-LD-U, GB6M-10-LD-U & GB8M-10-LD-U designed exclusively to fit the increasing demand for Cappuccino sales, the hot beverage area has become to be known as “Destination Cappuccino.”


This manual provides the installation, safety and operating instructions for the “Destination Cappuccino” Dispensers. We recommend all installation, operating and safety instructions appearing in this manual be read prior to installation or operation of your Cecilware Cappuccino Dispenser. Safety instructions that appear in this manual after a warning symbol  and the words **WARNING** or **CAUTION** printed in bold face are very important.  **WARNING** means that there is the possibility of serious injury or death to yourself or others.  **CAUTION** means there is the possibility of minor or moderate injury. CAUTION without the symbol signifies the possibility of equipment or property damage only.


Cecilware products are made with extensive research and field-testing. Every unit is thoroughly inspected and tested prior to shipment.


IMPORTANT SAFETY INSTRUCTIONS


IMPORTANT! Read the following important safety instructions to avoid personal injury or death, and to avoid damage to the equipment or property.


WARNINGS

 The GB8M-10-LD-U (**only**) is equipped with two (2) power switches and two (2) 120 volt grounded power cords. To avoid any injury, turn both power switches OFF. Or, unplug both power cords and allow unit to cool completely before performing any maintenance or cleaning.


 The GB4M-5.5-LD-U, GB5LD-U, and GB6M-10-LD-U, are equipped with one (1) power switch and one (1) 120 volt grounded power cord.


 Plug units into properly grounded electrical outlets of the correct voltage, size, and plug configuration. The GB8M-10-LD-U (only) requires two (2) separate dedicated outlets. If the plug and receptacle do not match, contact a qualified electrician to determine the proper voltage and size and install the proper electrical outlets.


 These units have no “user” serviceable parts. To avoid damage to the unit or injury to personnel, use only Authorized Cecilware Service Agents and Genuine Cecilware Parts when service is required.

 Genuine Cecilware Replacement Parts are specified to operate safely in the environment in which they are used. Some aftermarket or generic replacement parts do not have the characteristics that will allow them to operate safely in Cecilware equipment. It is essential to use Cecilware Replacement Parts when repairing Cecilware equipment. Failure to use Cecilware Replacement Parts may subject operators of the equipment to hazardous electrical voltage, resulting in electrical shock or burn.

CAUTIONS

 Place the unit at the proper counter height in an area that is convenient for use. The location should be level to prevent the unit or its contents from accidentally falling, and strong enough to support the weight of the unit and its contents.

 To avoid any injury or damage to the unit do not move or relocate the unit for cleaning.

 Abrasive cleaners could scratch the finish of your unit. Use only mild, non abrasive cleaners.

MODEL DESCRIPTION



GB8M-10-LD-U (shown) GB6M-10-LD-U (typical)

These High Volume Cappuccino Dispensers will hold double the amount of your most popular flavor along with up to seven other flavors as well.

With these Dispensers you will not waste valuable time refilling product Hoppers or lose profits during peak sales periods. With the hot water dispense button, you can increase sales by offering the ability to add packet items to your menu as well.

Only Cecilware brings you this type of versatility. With its top hinged and bottom hinged door design, its 27 inch footprint (left to right) allows maximum utilization of counter space.

SPECIFICATIONS

ELECTRICAL RATING CHART

Model *	Voltage	Watts	Amps	Circuit Breaker	Shipping Weight
GB4M-5.5-LD-U	1 x 120 V	1 x 1800 W	1 x 15 A	1 x 15 A	130 lbs
GB5-LD-U	1 x 120 V	1 x 1800 W	1 x 15 A	1 x 15 A	130 lbs
GB6M-10-LD-U	1 x 120 V	1 x 1800 W	1 x 15 A	1 x 15 A	160 lbs
GB8M-10-LD-U	2 x 120 V	2 x 1800 W	2 x 15 A	2 x 15 A	180 lbs

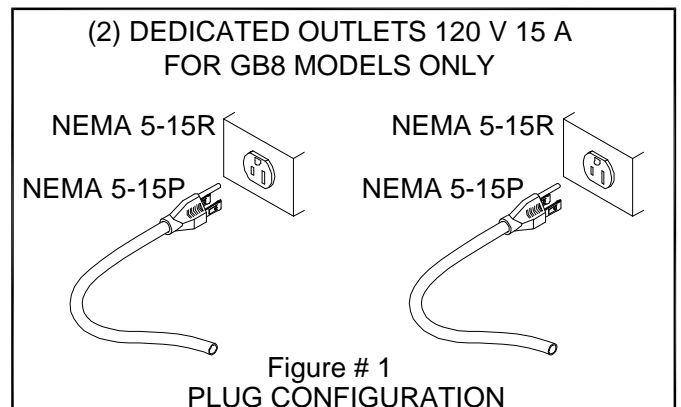
*HOT WATER IS OPTIONAL, ADD "W" TO MODEL NUMBER

PLUG CONFIGURATIONS

The GB8 MODEL is supplied from the factory with two (2) 120 volt electrical cords and plugs installed. Plugs are supplied according to the application as shown in figure # 1.

WARNING

Plug unit into two (2) properly grounded electrical outlets of the correct voltage, size and plug configuration. If the plugs and receptacles do not match, contact a qualified electrician to determine the proper voltage and size and install the proper electrical outlets.



UNPACKING INSTRUCTIONS

Carefully unpack the Cappuccino Dispenser Unit and inspect immediately for shipping damage. Your Cappuccino Dispenser Unit was shipped in a carton designed to give it maximum protection in normal handling. It was thoroughly inspected before leaving the factory. In case of damage, contact the shipper.

DESCRIPTION AND LOCATION OF COMPONENTS

Note: Refer to Illustrations for description and location of COMPONENTS and CONTROLS.

- 1. HOPPERS.** To remove the hoppers simply swing the top compartment door open and lift out. To reposition the canisters in the compartment, slide the canister base back until the ¼" pin at the bottom of the base falls into the positioning hole of the compartment base.
- 2. RINSE SWITCHES.**
See diagrams inside this manual for the location of rinse switches for each individual model. In the **RINSE** position they **disengage the hopper motors** and **allow only water to be dispensed**. They are used for flushing out the Whipper Chambers and to adjust the water dispense valves for proper flow rates.
- 3. HEATER SWITCHES.**
See diagrams inside this manual for the location of heater switches for each individual model. Their primary function is to shut off the heating elements during the initial priming, start up operation of the machine, or whenever the tank is being drained for service.
- 4. POWER SWITCHES.**
See diagrams inside this manual for the location of power switches for each individual model. They control all power to the unit including the heater elements.
Note: The Power and Heater Switches are independent of each other. Both switches must be OFF in order for the unit to be completely shut down.
Note: The Power Switches and Heater Switches must be ON in order for the elements to operate.

INSTALLATION INSTRUCTIONS

WATER INLET CONNECTION:

This equipment is to be installed to comply with the applicable Federal, State, or Local plumbing codes having jurisdiction. In addition:

WATER CONNECTION:

GB8M-10-LD-U: There are two (2) Water Connections. (2) ¼ inch Flare Water Inlet Fittings are located on the left and right side in the back of unit.

GB4M-5.5-LD-U, GB5-LD-U, & GB6M-10-LD-U: There is one (1) Water Connection, (1) ¼ inch Flare Water Inlet Fitting located on the back of unit.

An approved back flow prevention device, such as a Double Check Valve should be installed between the unit and the water supply.

HIGHLY RECOMMENDED:

A WATER SHUT-OFF VALVE and A WATER FILTER, preferably a combination Charcoal/Phosphate Filter, to remove odors and inhibit lime and scale build up in the machine.

Note: In areas with extremely hard water, a water softener must be installed in order to prevent malfunctioning of the equipment and in order not to void the warranty.

START-UP PROCEDURE

Caution: Make sure that the Heater Switches, are in the OFF position.

1. Connect the ¼ inch copper waterlines to the ¼ inch flare water inlet fittings of the valves.
2. Plug the power cords into dedicated receptacles.
3. Activate the **Power Switch** (Toggle Up). The door display panel, the red power indicator lights and the green dispense buttons will light up and the tanks will start filling. Allow approximately 4-5 minutes for the tanks to fill.
4. Activate the **Heater Switch**. Allow approximately 10-30 minutes for the water to reach the proper dispensing temperature of 190° F. The heat up time will depend on the water inlet temperature, the input voltage and the wattage of the elements in the water tanks.
5. Place a cup under the dispense nozzle, press and hold the dispense switch for 6 seconds. The unit will dispense water at the rate of 1 oz. per second. Repeat it several times to check for consistent output. Repeat same for the other dispense switches. This procedure checks that the dispense valves are not “air-locked.”
6. While the water tanks are heating up, the **heater light** comes on. Remove the hoppers, load them with product and reposition them back in place. When the **heater light** turns off, the water tanks have reached their proper temperature and are ready to dispense the first cup of Cappuccino.

TO DISPENSE A CUP OF CAPPUCCINO:

Place a cup under the selected drink dispense nozzle.

Push and hold dispense button until cup is 2/3 full, then release button.



Hot Water Optional
GB6M-10W-LD-U
GB8M-10W-LD-U

TROUBLESHOOTING GUIDE

WARNING: To reduce the risk of electrical shock, DISCONNECT POWER CORDS before repairing or replacing any internal components of the unit. Before any attempt to replace a component be sure to check all electrical connections for *proper connection*.

PROBLEM		PROBABLE CAUSE	REMEDY
1 Light display not lit.	A	Dispensing unit unplugged.	Reconnect dispensing unit.
	B	No power from Terminal Block.	Check the Terminal Block for loose wire.
	C	Defective Bulb.	Replace Bulb.
	D	Defective Ballast.	Replace Ballast.
	E	Loose Bulb in socket.	Make sure bulb is seated properly in socket.
2 No water when Rinse Switch is ON.	A	Water supply OFF.	Turn water ON.
	B	Clogged inlet screen (Water Inlet Valve).	Disconnect water line and clean inlet screen.
	C	Inoperative Water Inlet Valve.	Check connection, if needed replace Valve.
	D	Loose electrical connection.	Check all electrical connections.
3 No product when Dispense Button is pressed	A	No product in Canister.	Add product.
	B	Auger not working.	Engage Hopper/Nut to Motor Gear.
	C	Damaged, loose, or missing Agitator Gear.	Replace Agitator Gear.
	D	Inoperative Auger Motor or Relay.	Check connections of Motor, Relay and/or Switch, if needed replace components.
	E	Canister outlet clogged.	Clean Hopper.
	F	Faulty Coupling.	Replace damaged Coupling components.
4 Water does not shut off. Water keeps dispensing.	A	Leaking Water Inlet Valve.	Clean/check Water Inlet Valve fittings. Replace Water Inlet Valve if needed.
	B	Inoperative Dispense Switch.	Check Switch connections. Replace Dispense Switch if needed.
	C	Inoperative Rinse Switch.	Check Rinse Switch connections. Replace Rinse Switch if inoperative.
	D	Clogged/stuck Water Dispense Valve.	Clean or unclog Water Dispense Valve. Replace Dispense Valve if inoperative.
5 No water is going into tank at all.	A	Water Inlet Valve malfunction.	Check Solenoid. Replace if necessary.
	B	Dual Probe malfunction.	Check Probe. Replace if necessary.
	C	Dual Probe Liquid Level Controller malfunction.	Check Controller. Replace if necessary.
6 Water will not stop flowing into water tank.	A	Dual Probe malfunction.	Check Probe. Replace if necessary.
	B	Solenoid (Water Inlet Valve) malfunction.	Check Solenoid. Replace if necessary.
	C	Dual Probe Liquid Level Controller malfunction.	Check Controller. Replace if necessary.
7 Water is not heating up in water tank.	A	Heater Switch is OFF.	Turn Heater Switch ON.
	B	Thermostat is OFF.	Turn Thermostat ON.
	C	Loose connection on Thermostat.	Make sure all wires and terminals on Thermostat are tight.
	D	Hi-Limit Temperature Switch is defective	Replace the Hi-limit switch.
	E	Heater is burned out or defective.	Replace the Heater.

Model L690A (Rev. B) Dual Probe Liquid Level Controller

Overview - The L690A is a Dual Probe Liquid Level Controller designed to maintain a specific level of water in the tank. This device utilizes two level probes for increased reliability. Independent maximum fill timers are incorporated in the controller for overflow protection.

Operation - When a fill problem occurs, the Dual Probe Liquid Level Controller turns OFF power to the fill valves and remains OFF until the power input is reset (i.e. turn power switch off then back on).

Low Level Probe - When the Low Level Probe detects the absence of water for two seconds, the Controller immediately opens the Fill Valve. When the Low Level Probe detects the presence of water the Controller immediately closes the Fill Valve.

High Level Probe - When the High Level Probe detects the absence of water the Controller immediately turns ON and the Low Level Probe is allowed to control the Fill Valve. When the High Level Probe detects the presence of water for 1.5 seconds the Controller turns OFF power, which closes the Fill Valve.

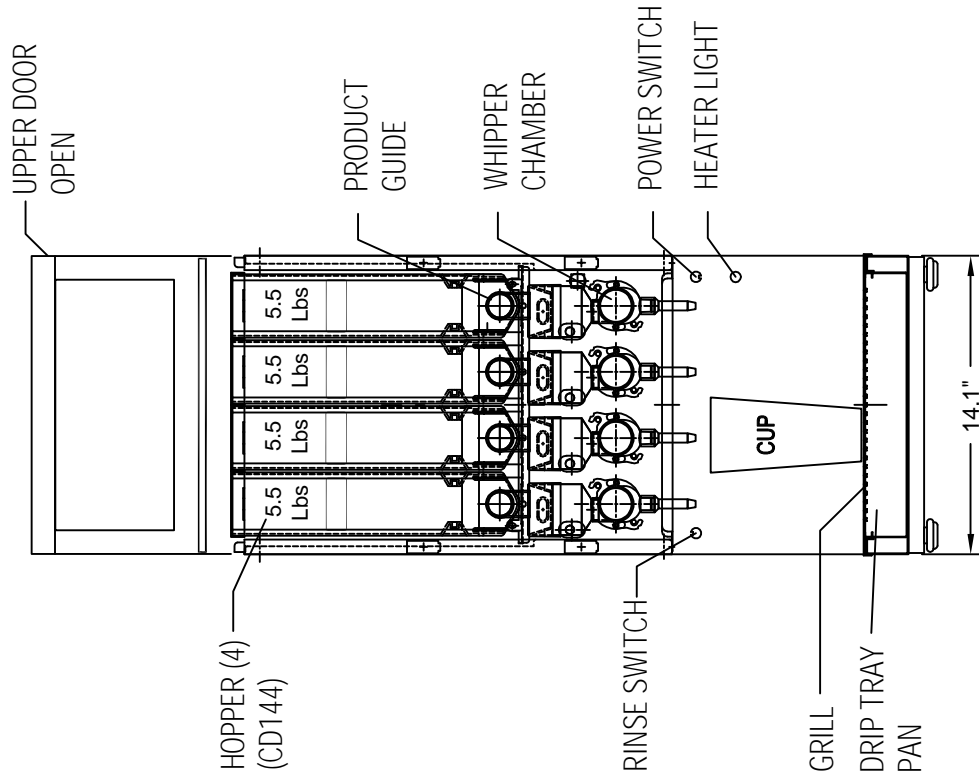
Maximum Fill Timers – On the first fill, the unit will only allow 15 minutes of continuous filling if neither of the Level Probes has detected the presence of water since power has been applied (i.e. first fill). Once the presence of water has been detected the unit will only allow 10 minutes of continuous filling to prevent flooding. If the duration of continuous filling exceeds the allotted time then a Fatal Error is generated, which closes the inlet valve.

Status LED – Located on the Controller, this indicator is turned ON for one second after power is applied to indicate a functioning unit. The indicator will blink when the High Level Probe detects water to signify a warning. During a Fatal Error the indicator will be ON continuously.

GB4M-5.5-LD-U

4 Flavor Cappuccino Dispenser

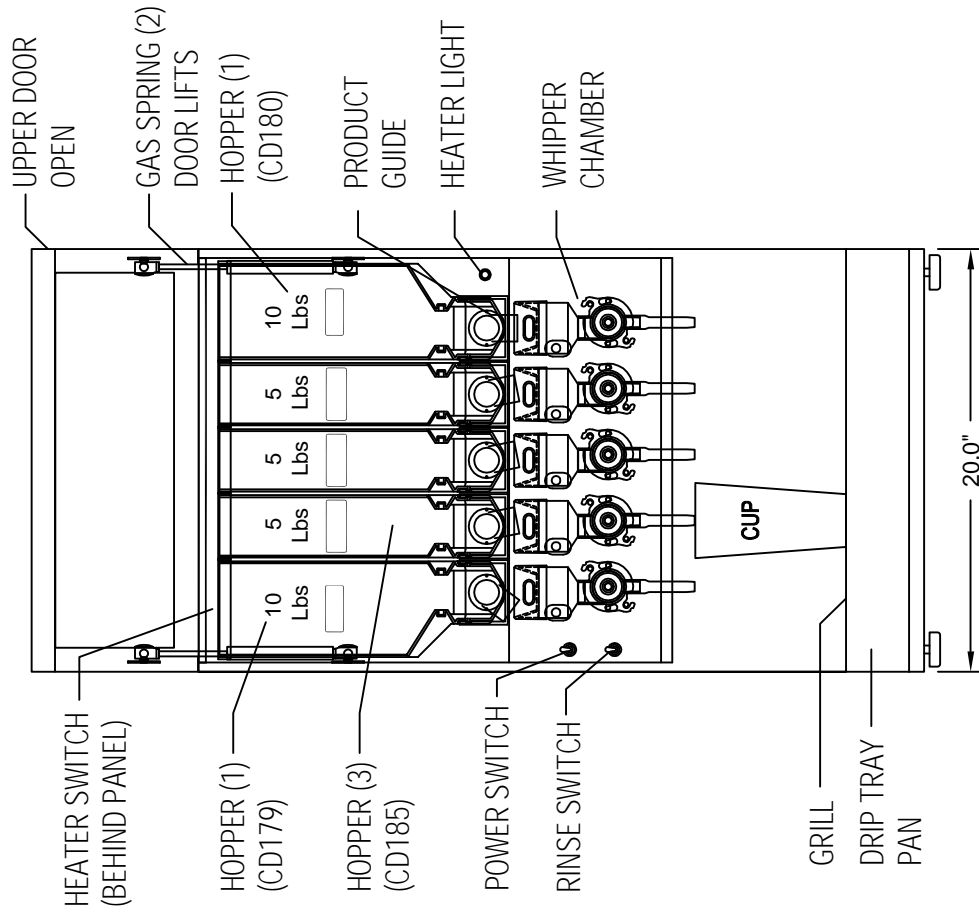
Upper Door open, Lower Door not shown.



GB5-LD-U

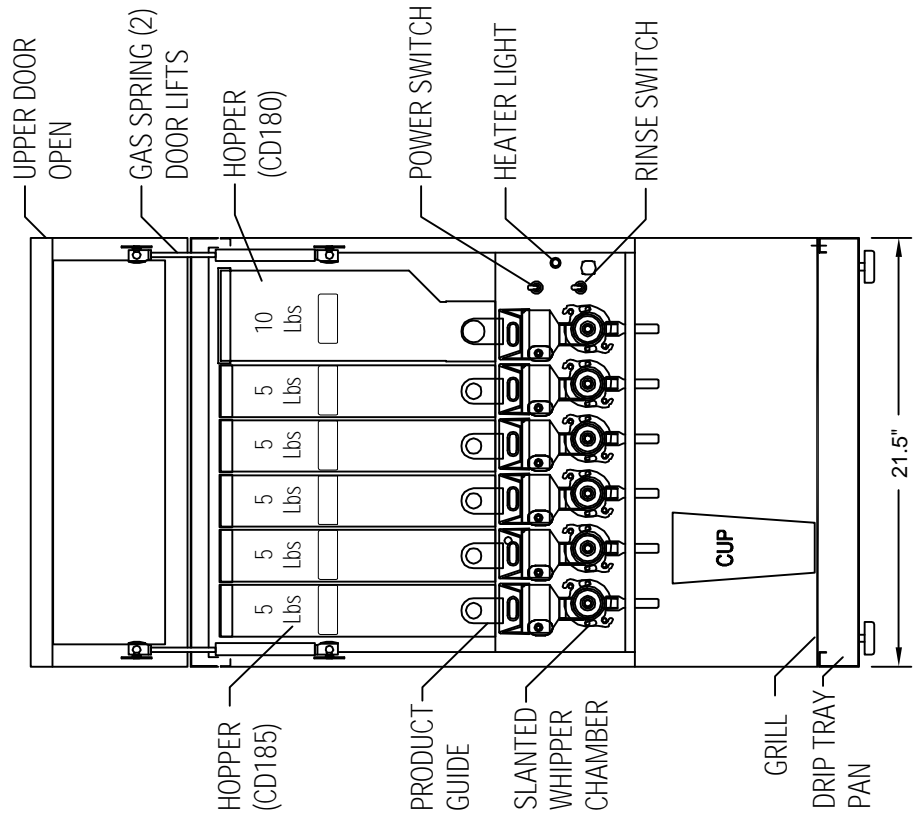
5 Flavor Cappuccino Dispenser

Upper Door open, Lower Door not shown.



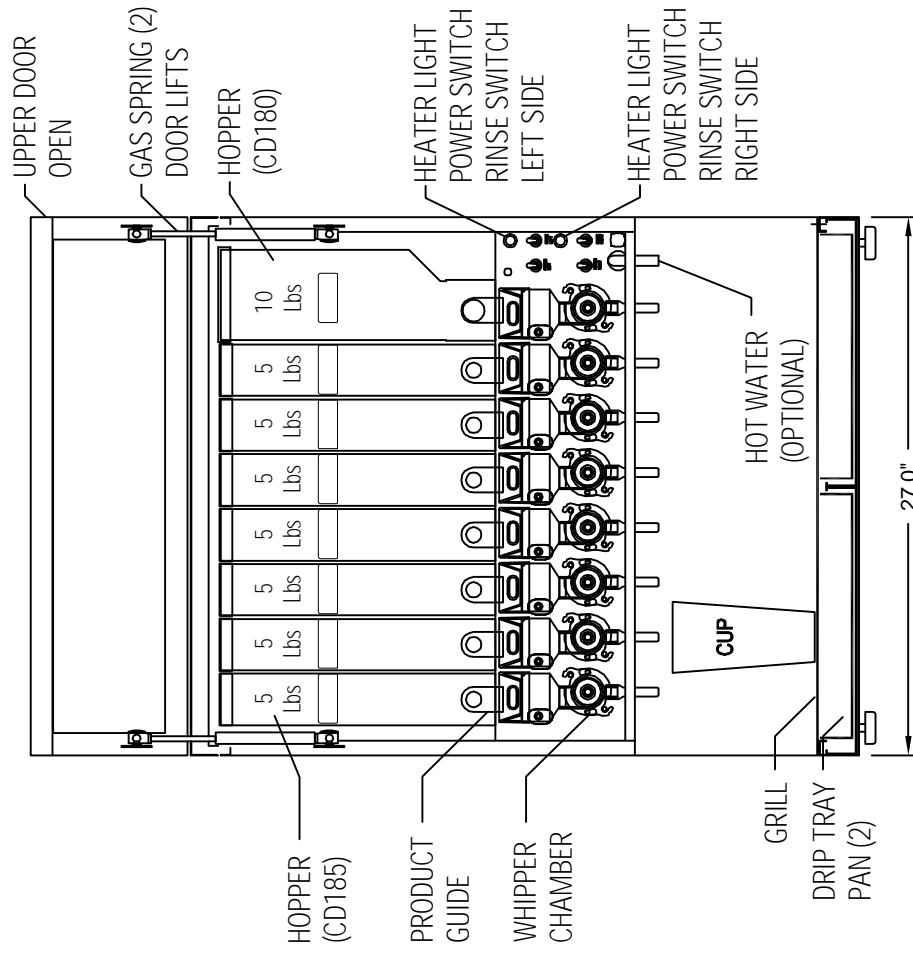
GB6M-10-LD-U
GB6MP-10-LD-U

6 Flavor Cappuccino Dispenser
 Upper Door open, Lower Door not shown.



GB8M-10-LD-U
GB8MP-10-LD-U

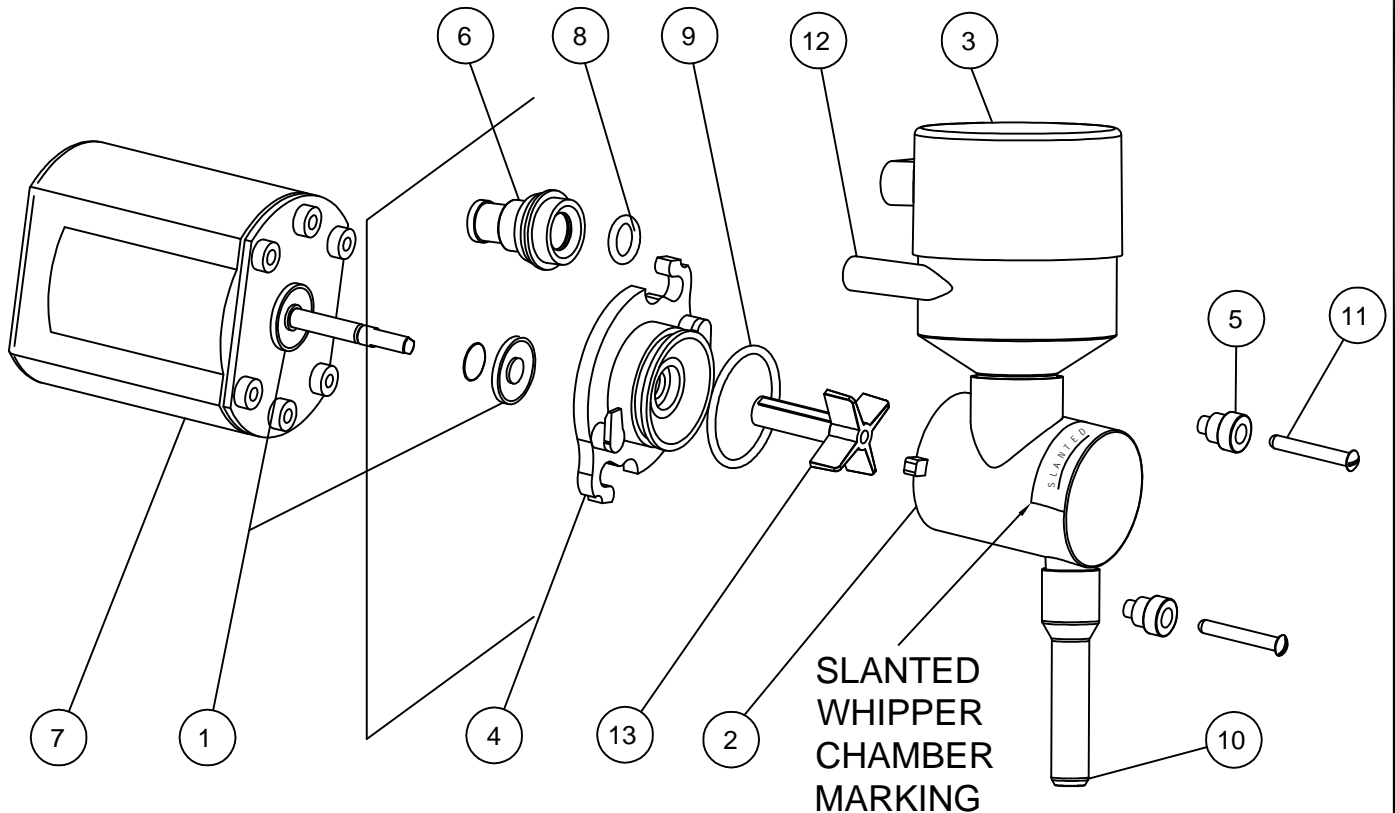
8 Flavor Cappuccino Dispenser
 Upper Door open, Lower Door not shown.



WHIPPER CHAMBER

IMPORTANT:

SLANTED WHIPPER CHAMBERS (SEE BELOW) ARE **NOT** INTERCHANGEABLE WITH STANDARD **STRAIGHT** WHIPPER CHAMBERS. BE SURE TO ORDER USING THE CORRECT PART NUMBERS.

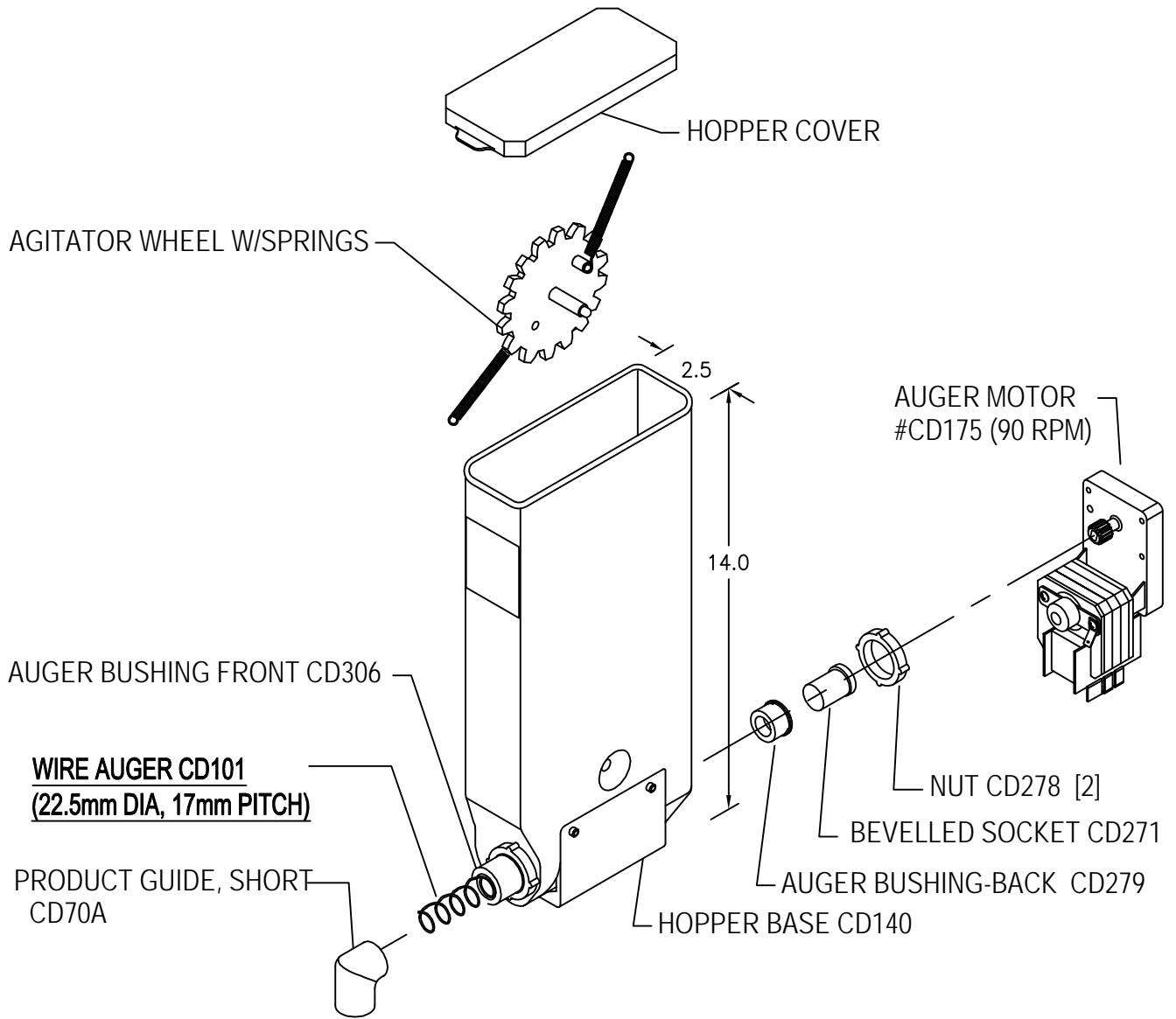


Parts List

ITEM	DESCRIPTION	PART #	QTY
1	SLINGER DISK	CD124	2
2	WHIPPER CHAMBER - STANDARD (STRAIGHT)	CD63A	1
2	WHIPPER CHAMBER - SLANTED (NEW)	CD362	1
3	DISPENSE CUP	CD61A	1
4	CHAMBER MOUNT	CD65A	1
5	GROMMET, MTG.PLATE	CD66A	2
6	SOCKET, MIXING BOWL	CD67A	1
7	WHIPPER MOTOR (OLD) 1 FLAT	CD75A	1
7	WHIPPER MOTOR (NEW) 2 FLATS (REPLACES CD75A)	CD350	1
8	"O" RING	M378A	1
9	"O" RING	M379A	1
10	EXTENSION TUBE, NYLON, 2 5/8" LONG	M467A	1
11	MACH. SCREW 8-32 X 1.25" SL TR HEAD ST. STEEL	P619A	2
12	MIXING CHAMBER	CD137	1
13	IMPELLER (1 FLAT) USE W/ CD75A)	CD64A	1
13	IMPELLER (2 FLATS) USE W/ CD75A OR CD350	CD353	1

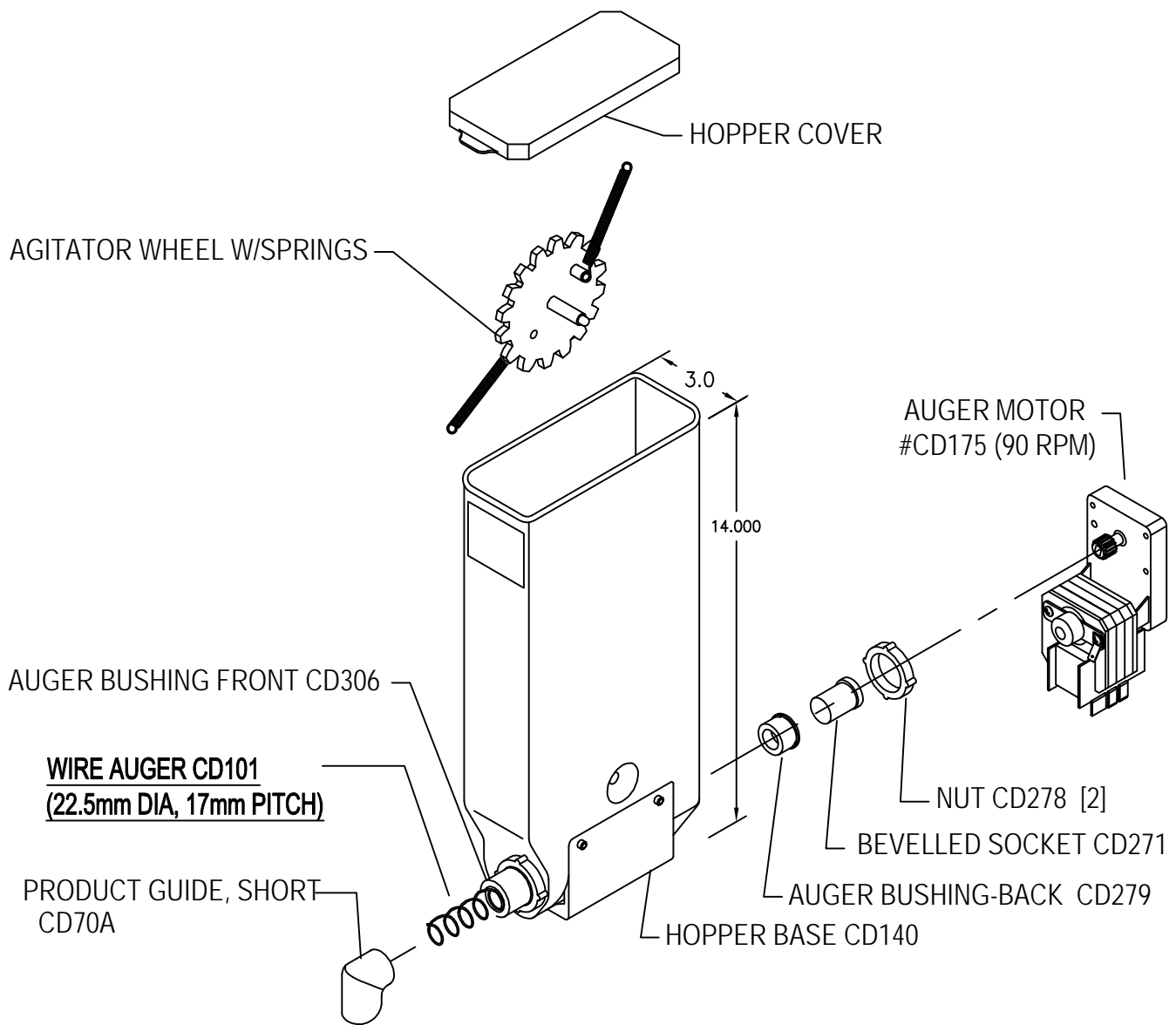
HOPPER ASS'Y CD185

5 LB, 14"HIGH x 2.5"WIDE, W/ WIRE AUGER

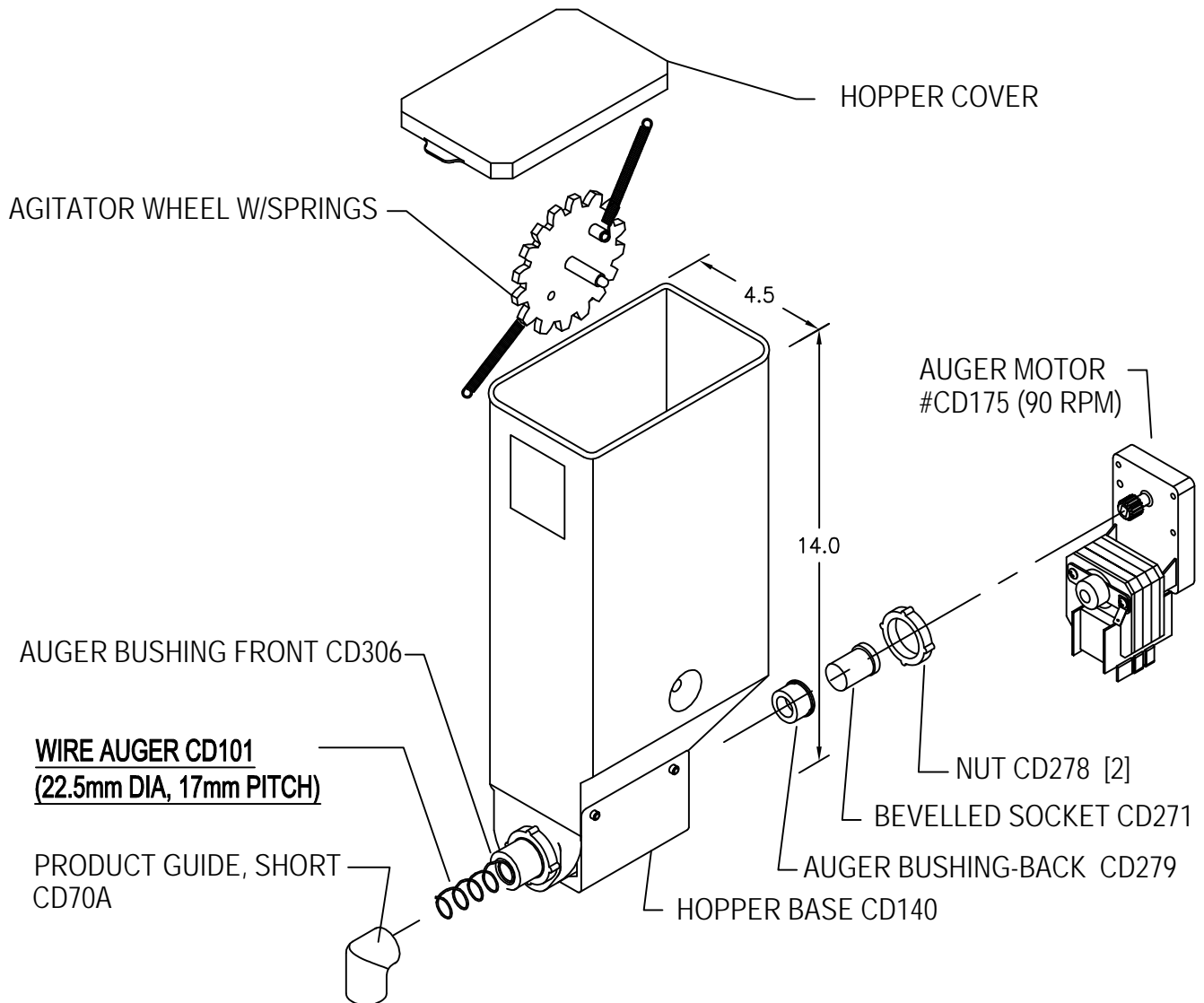


HOPPER ASS'Y CD144

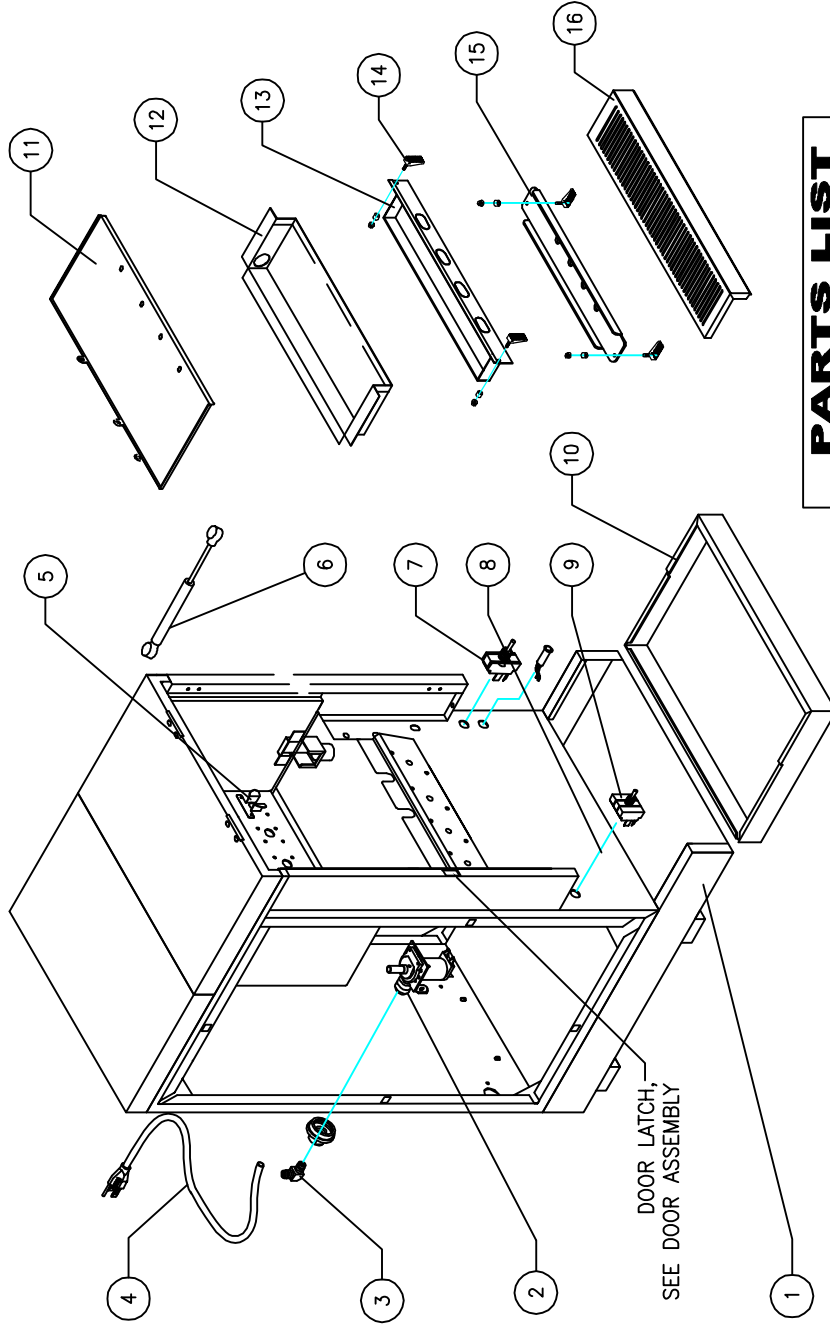
5.5 LB, 14"HIGH x 3.0"WIDE, W/ WIRE AUGER



HOPPER ASS'Y CD180 - RIGHT (SHOWN BELOW)
HOPPER ASS'Y CD179 - LEFT (OPPOSITE)
10 LB, 14"HIGH x 4.5"WIDE, W/ WIRE AUGER



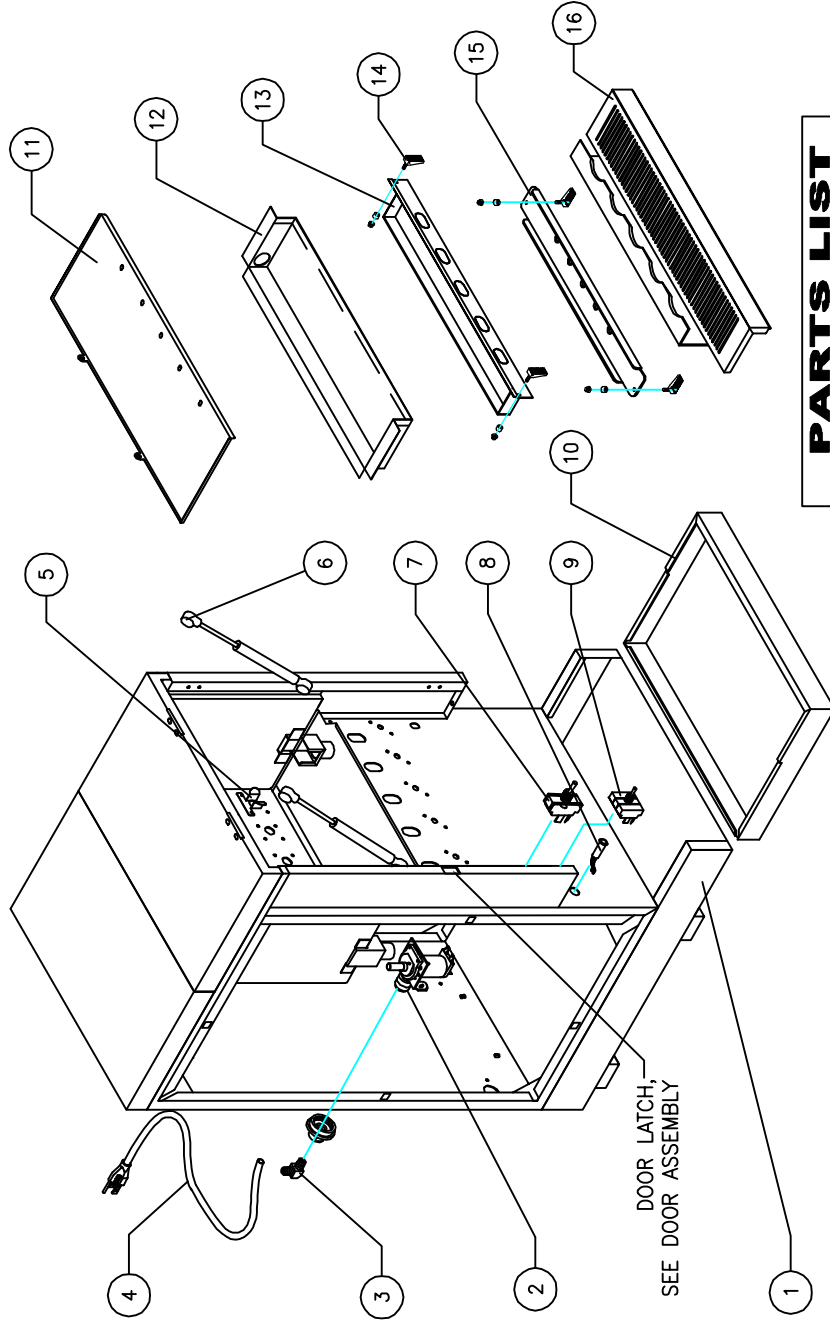
BODY FRAME SUB-ASSEMBLY - GB4M-5.5-LD-U



PARTS LIST

ITEM	DESCRIPTION	P/N	QTY
1	BODY FRAME SUB-ASSEMBLY (REFERENCE)		
2	WATER INLET VALVE	CD257	1
3	HOSE NUT ASSEMBLY	K491B	1
4	POWER CORD	C032S	1
5	HOPPER GUIDE	SL31Q	4
6	GAS SPRING	P607A	2
7	POWER SWITCH / HEATER SWITCH	L069A	2
8	RINSE SWITCH, 4 POLE	L470A	1
9	HEATER INDICATOR LIGHT	C002A	1
10	DRIP TRAY PAN	RT64A	1
11	HOPPER TRAY	SV75A	1
12	TROUGH	SV76A	1
13	TROUGH DRAWER	SV77A	1
14	SWELL LATCH	M650A	4
15	FACIA BOTTOM CAP	SV62A	1
16	DRIP TRAY GRILL	RT73A	1

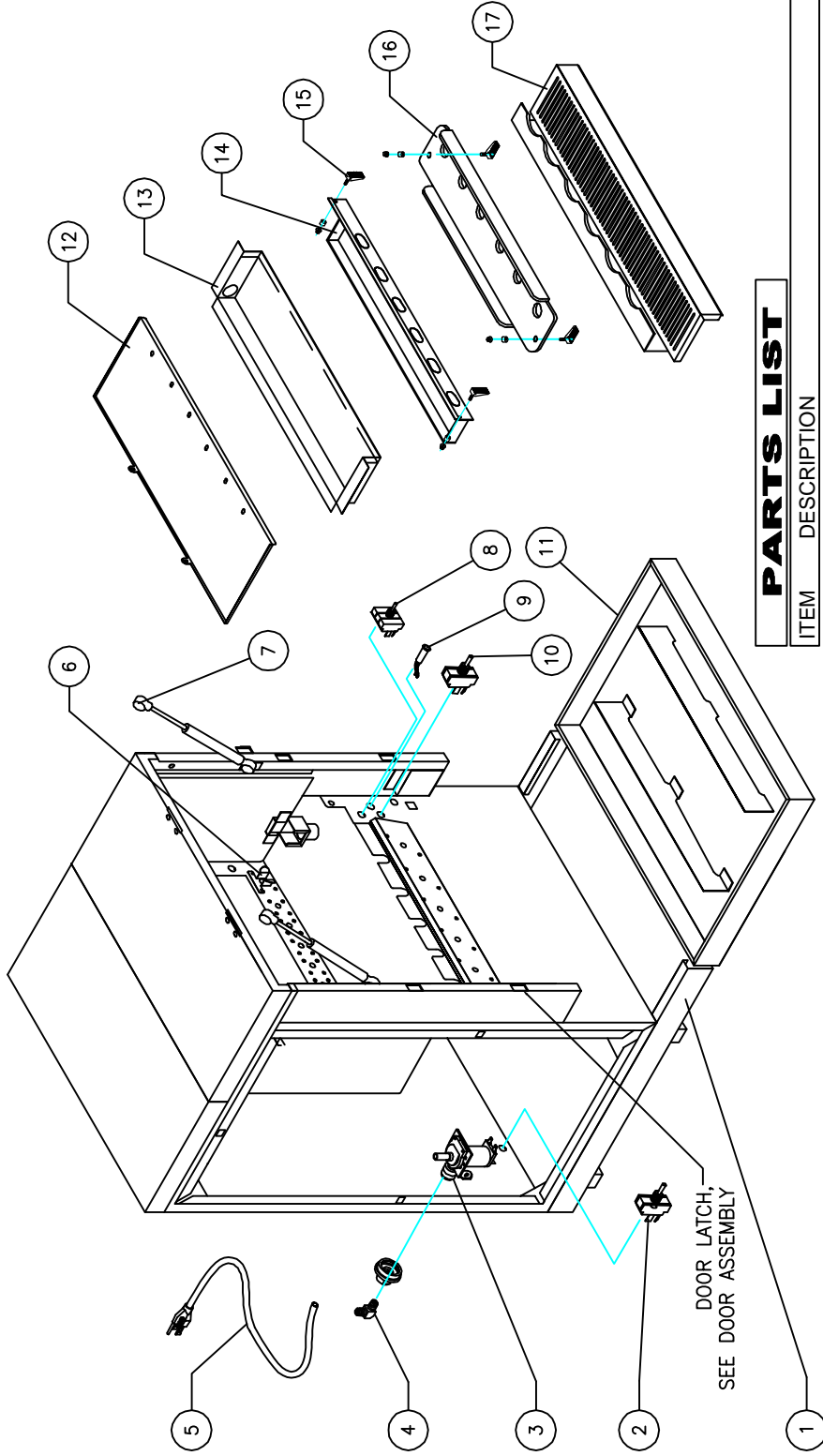
BODY FRAME SUB-ASSEMBLY - GB5-LD-U



PARTS LIST

ITEM	DESCRIPTION	P/N	QTY
1	BODY FRAME SUB-ASSEMBLY (REFERENCE)		
2	WATER INLET VALVE	CD257	1
3	HOSE NUT ASSEMBLY	K491B	1
4	POWER CORD	C032S	1
5	HOPPER GUIDE	SL31Q	5
6	GAS SPRING	P607A	2
7	POWER SWITCH / HEATER SWITCH	L069A	2
8	RINSE SWITCH, 4 POLE	L470A	1
9	HEATER INDICATOR LIGHT	C002A	1
10	DRIP TRAY PAN	SP49A	1
11	HOPPER TRAY	SP46A	1
12	TROUGH	SP58A	1
13	TROUGH DRAWER	SP30A	1
14	SWELL LATCH	M650A	4
15	FACIA BOTTOM CAP	SP51A	1
16	DRIP TRAY GRILL	SP85A	1

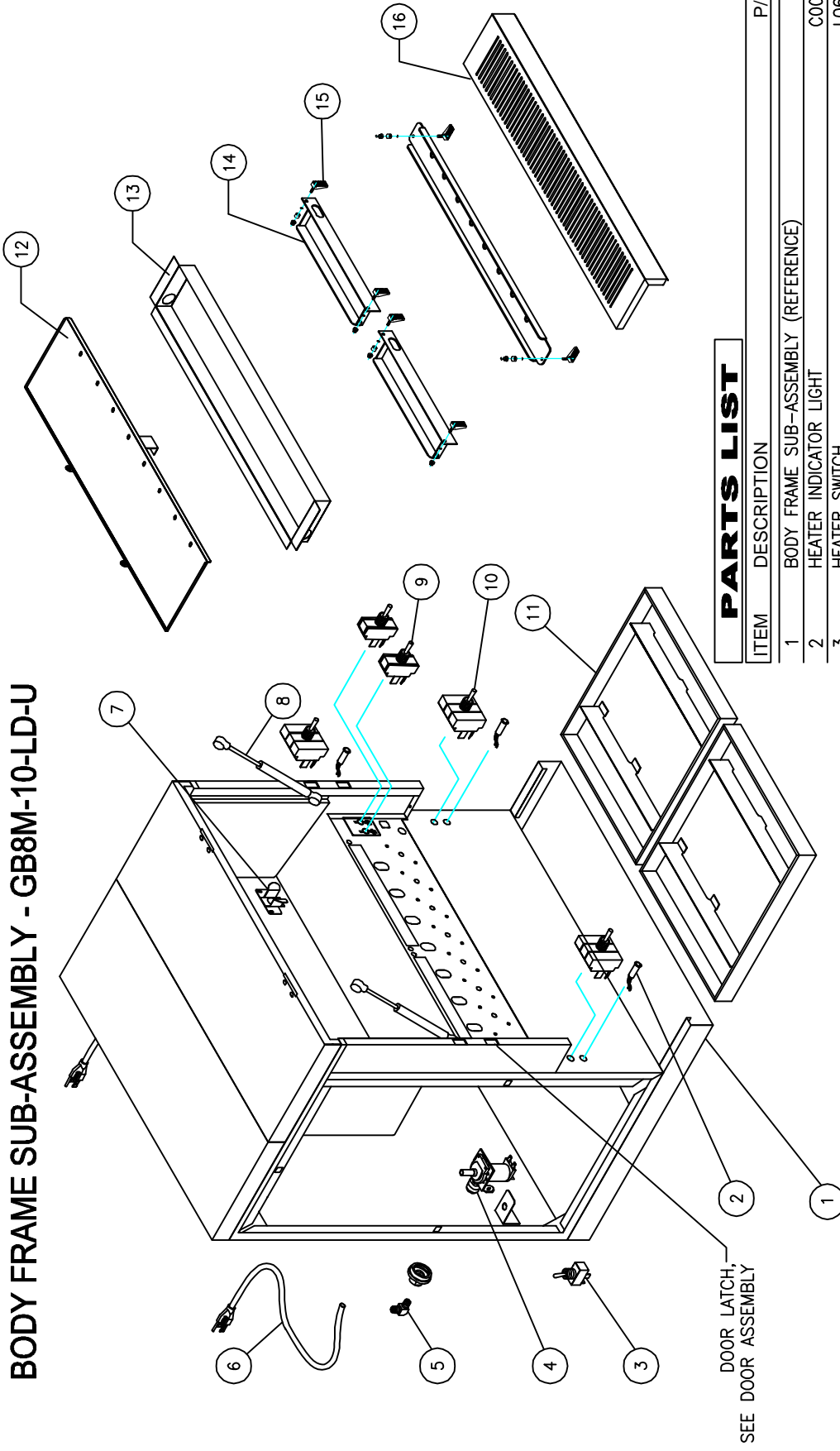
BODY FRAME SUB-ASSEMBLY - GB6M-10-LD-U



PARTS LIST

ITEM	DESCRIPTION	P/N	QTY
1	BODY FRAME SUB-ASSEMBLY (REFERENCE)		
2	HEATER SWITCH	L069A	2
3	WATER INLET VALVE	CD257	1
4	HOSE NUT ASSEMBLY	K491B	1
5	POWER CORD	C032S	1
6	HOPPER GUIDE	SL31Q	6
7	GAS SPRING	P607A	2
8	RINSE SWITCH, 4 POLE	L470A	2
9	HEATER INDICATOR LIGHT	C002A	1
10	POWER SWITCH	L069A	1
11	DRIP TRAY PAN	SM13A	1
12	HOPPER TRAY	SQ78A	1
13	TROUGH	SQ79A	1
14	TROUGH DRAWER	SQ80A	1
15	SWELL LATCH	M650A	4
16	FACIA BOTTOM CAP	SM48A	1
17	DRIP TRAY GRILL	SM14A	1

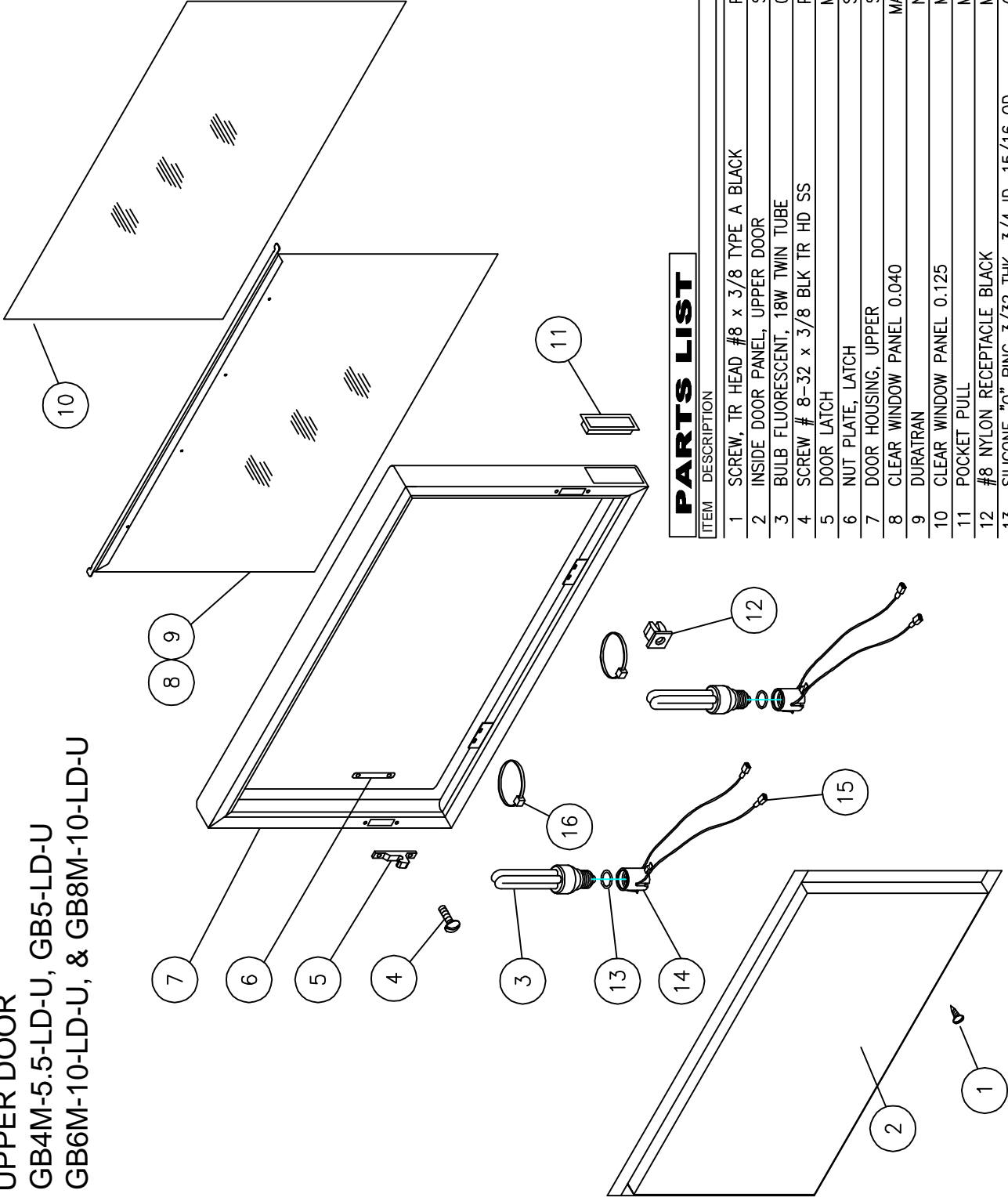
BODY FRAME SUB-ASSEMBLY - GB8M-10-LD-U



PARTS LIST

ITEM	DESCRIPTION	P/N	QTY
1	BODY FRAME SUB-ASSEMBLY (REFERENCE)		
2	HEATER INDICATOR LIGHT	C002A	2
3	HEATER SWITCH	L069A	2
4	WATER INLET VALVE	CD257	2
5	HOSE NUT ASSEMBLY	K491B	2
6	POWER CORD	C032S	2
7	HOPPER GUIDE	SL31Q	8
8	GAS SPRING	P607A	2
9	POWER SWITCH	L069A	2
10	RINSE SWITCH, 4 POLE	L470A	2
11	DRIP TRAY PAN	SL84A	2
12	HOPPER TRAY	SQ67A	1
13	TROUGH	SQ68A	1
14	TROUGH DRAWER	SM21A	2
15	SWELL LATCH	M650A	6
16	DRIP TRAY GRILL	SL85A	1

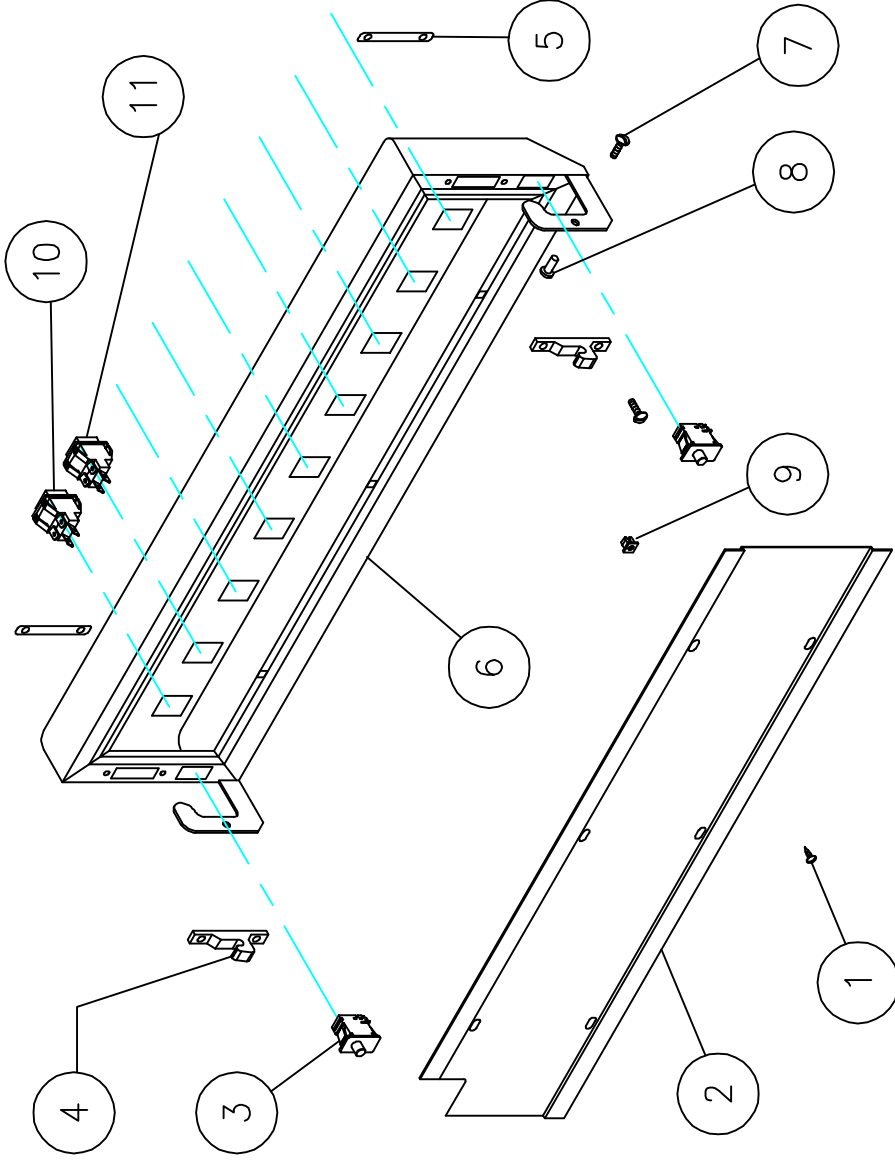
UPPER DOOR
GB4M-5.5-LD-U, GB5-LD-U
GB6M-10-LD-U, & GB8M-10-LD-U



PARTS LIST

ITEM	DESCRIPTION	GB4	GB5	GB6	GB8
1	SCREW, TR HEAD #8 x 3/8 TYPE A BLACK	P415A	P415A	P415A	P415A
2	INSIDE DOOR PANEL, UPPER DOOR	SV73A	SP83A	SM39A	SL73A
3	BULB FLUORESCENT, 18W TWIN TUBE	CE82A	CE82A	CE82A	CE82A
4	SCREW # 8-32 x 3/8 BLK TR HD SS	P411A	P411A	P411A	P411A
5	DOOR LATCH	M705A	M705A	M705A	M705A
6	NUT PLATE, LATCH	SD08A	SD08A	SD08A	SD08A
7	DOOR HOUSING, UPPER	SV63A	SP79A	SM11A	SL72A
8	CLEAR WINDOW PANEL 0.040	MA28A/M	M704A	M892A	M890A
9	DURATRAN	NK77A	NK77A	NK77A	NK77A
10	CLEAR WINDOW PANEL 0.125	MA29A	M703A	M893A	M891A
11	POCKET PULL	M899A	M899A	M899A	M899A
12	#8 NYLON RECEPTACLE BLACK	M408A	M408A	M408A	M408A
13	SILICONE "O" RING 3/32 THK, 3/4 ID, 15/16 OD	CB04A	CB04A	CB04A	CB04A
14	LAMP HOLDER	B216A	B216A	B216A	B216A
15	1/4" MALE PUSH ON TERMINAL	B102A	B102A	B102A	B102A
16	TY-WRAP	M981A	M981A	M981A	M981A

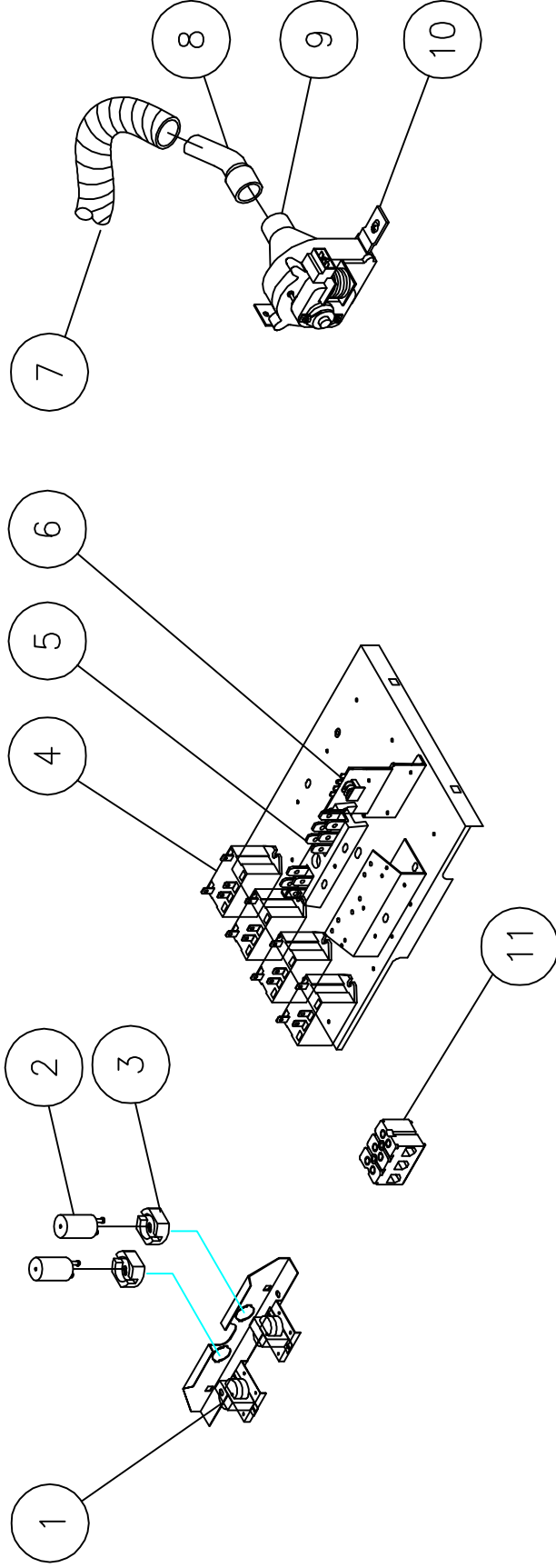
LOWER DOOR
GB4M-5.5-LD-U, GB5-LD-U
GB6M-10-LD-U, & GB8M-10-LD-U



PARTS LIST

ITEM	DESCRIPTION	GB4	GB5	GB6	GB8
1	SCREW	P415A	P415A	P415A	P415A
2	INSIDE DOOR PANEL, LOWER DOOR	SV79A	SP84A	SM40	SL75A
3	DOOR SWITCH ASSEMBLY	CH139	CH139	CH139	CH139
4	DOOR LATCH	M705A	M705A	M705A	M705A
5	NUT PLATE, LATCH	SD08A	SD08A	SD08A	SD08A
6	DOOR HOUSING, LOWER	SV64A	SP82A	SM12A	SL74A
7	SCREW	P411A	P411A	P411A	P411A
8	SEX BARREL	P598A	P598A	P598A	P598A
9	#8 NYLON RECEPTACLE, BLACK	M408A	M408A	M408A	M408A
10	SWITCH, PUSH BUTTON RED SQUARE LENS	L574A	L574A	L574A	L574A
11	SWITCH, PUSH BUTTON GREEN SQUARE LENS	L455A	L455A	L455A	L455A

ELECTRICAL CHASSIS AND CONTROL



PARTS LIST

ITEM	DESCRIPTION	P/N	QTY
1	BALLAST	CE221	4
2	STARTER TYPE FS-5	L396A	4
3	STARTER BASE	B128A	4
4	RELAY 120V	B129A	8
5	TERMINAL BLOCK	60112	2
6	DUAL PROBE LIQUID LEVEL CONTROLLER	L690A	2
7	DUCT HOSE 1" x 16"	CD214	2
8	ELBOW INSERT	CD108	2
9	FAN CUP	CD57A	2
10	FAN	CD56A	2
11	TERMINAL BLOCK	B000A	2

HOT WATER TANK RL72C (R)

USED ON: GB5-LD-U & GB8M-10-LD-U (RIGHT SIDE)

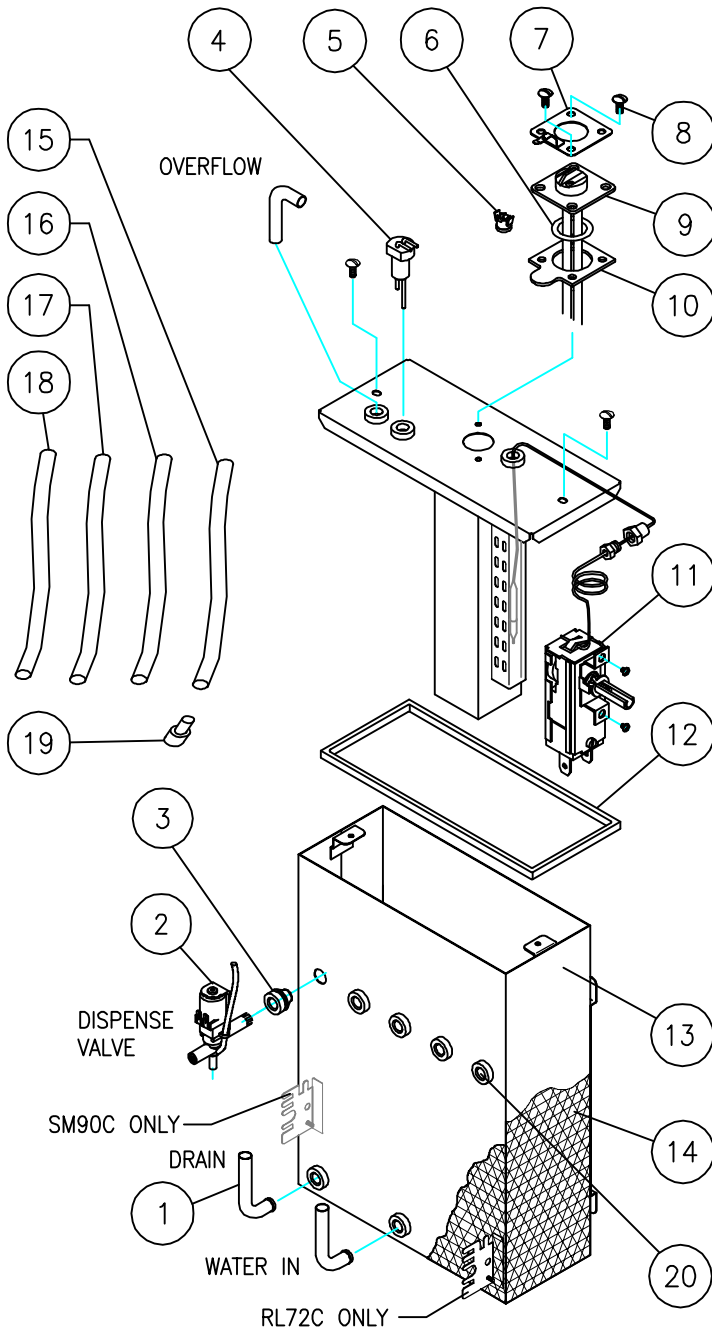
HOT WATER TANK SM90C (L)

USED ON: GB8M-10-LD-U (LEFT SIDE)

TANK DIMENSIONS:

12" WIDE, 4.8" DEEP, 16.5" HIGH.

APPROX. 3.7 GAL.



PARTS LIST

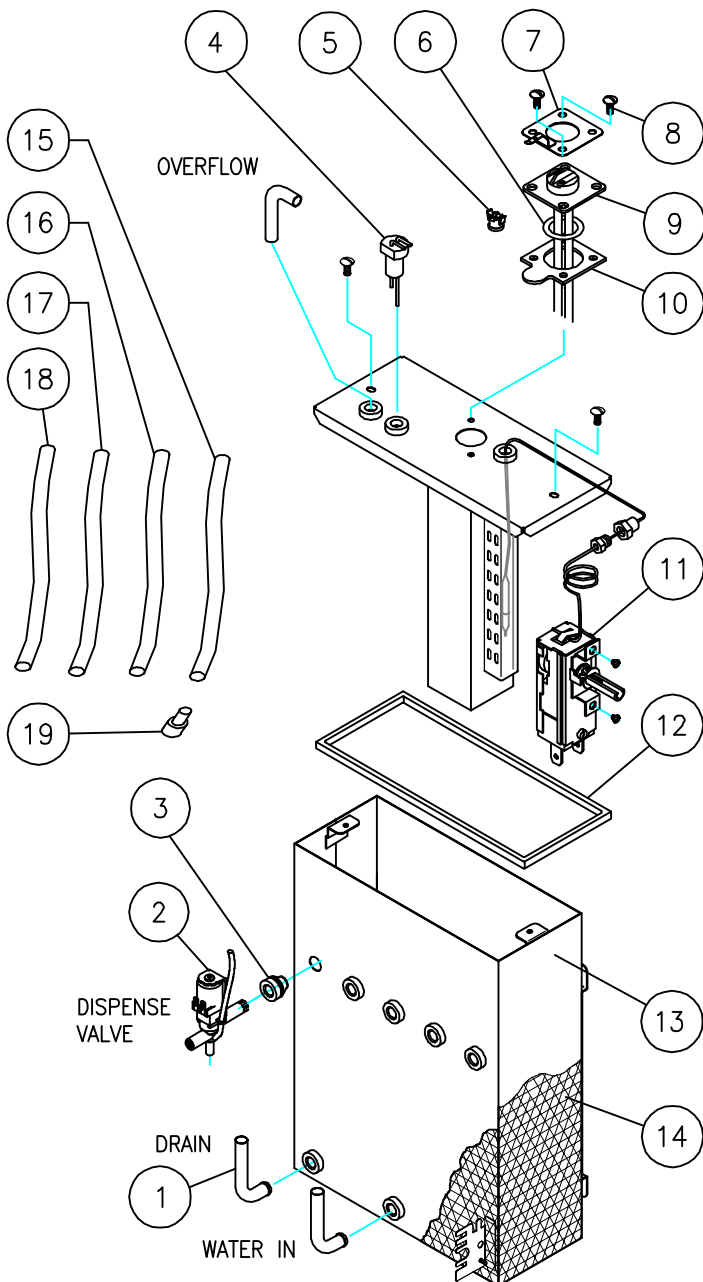
ITEM	DESCRIPTION	P/N	QTY
1	ELBOW 90°	K525A	3
2	DISPENSE VALVE	L467A	5
3	SILICONE SEAL (0.466 ID)	M461A	10
4	DUAL PROBE	K695Q	1
5	HI-LIMIT 200° CUTOUT, 5/8" TRIG, #T500	L656A	1
6	O-RING 1 1/4 ID x 1 5/8 OD	M773A	1
7	HEATSINK SHIM ASSEMBLY	K667Q	1
8	SCREW, 1/4-20x5/8, SST, TRUSS HD, SLTD	P465A	4
9	HEATER, 120V 1700W	G267A	1
10	HEATSINK, 1/8" ALUMINUM #1100	K661A	1
11	THERMOSTAT	L681A	1
12	SILICONE BUTT SPLICED GASKET	M500A	1
13	TANK, 3.7 GAL RIGHT SIDE	RL72Q	1
13	TANK, 3.7 GAL LEFT SIDE	SM90Q	1
14	TANK INSULATION	M671A	1
15	TUBE, DRAIN	M622A	1
16	TUBE, OVERFLOW	M622A	1
17	TUBE, DISPENSE	M619A	5
18	TUBE, WATER INLET	M483A	1
19	DRAIN PLUG	M391A	1
20	SILICONE PLUG	M494A	1

HOT WATER TANK SJ61C

USED ON:

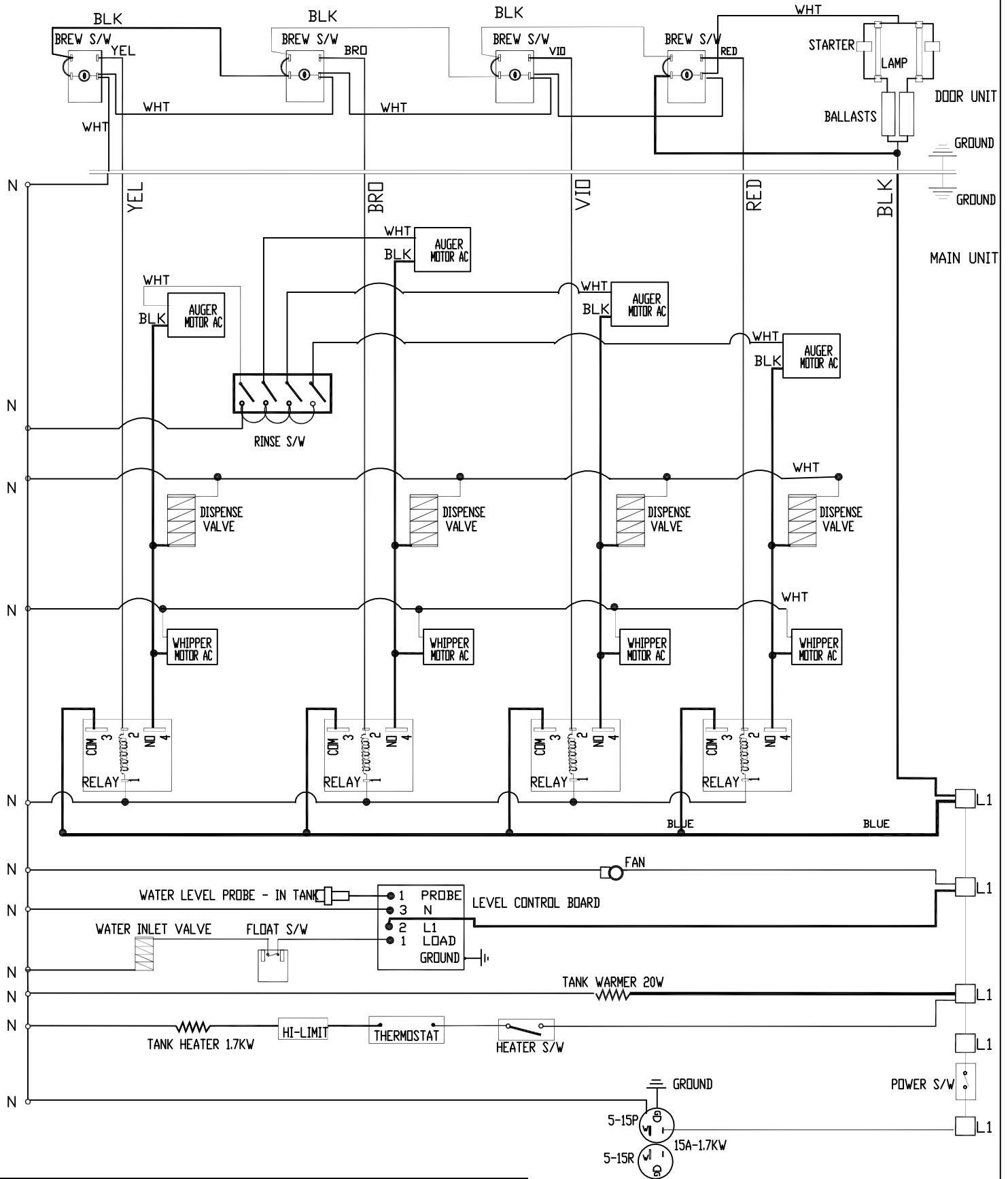
GB6M-10-LD-U

TANK DIMENSIONS:
15" WIDE, 6" DEEP, 18" HIGH.
APPROX. 6 GAL.



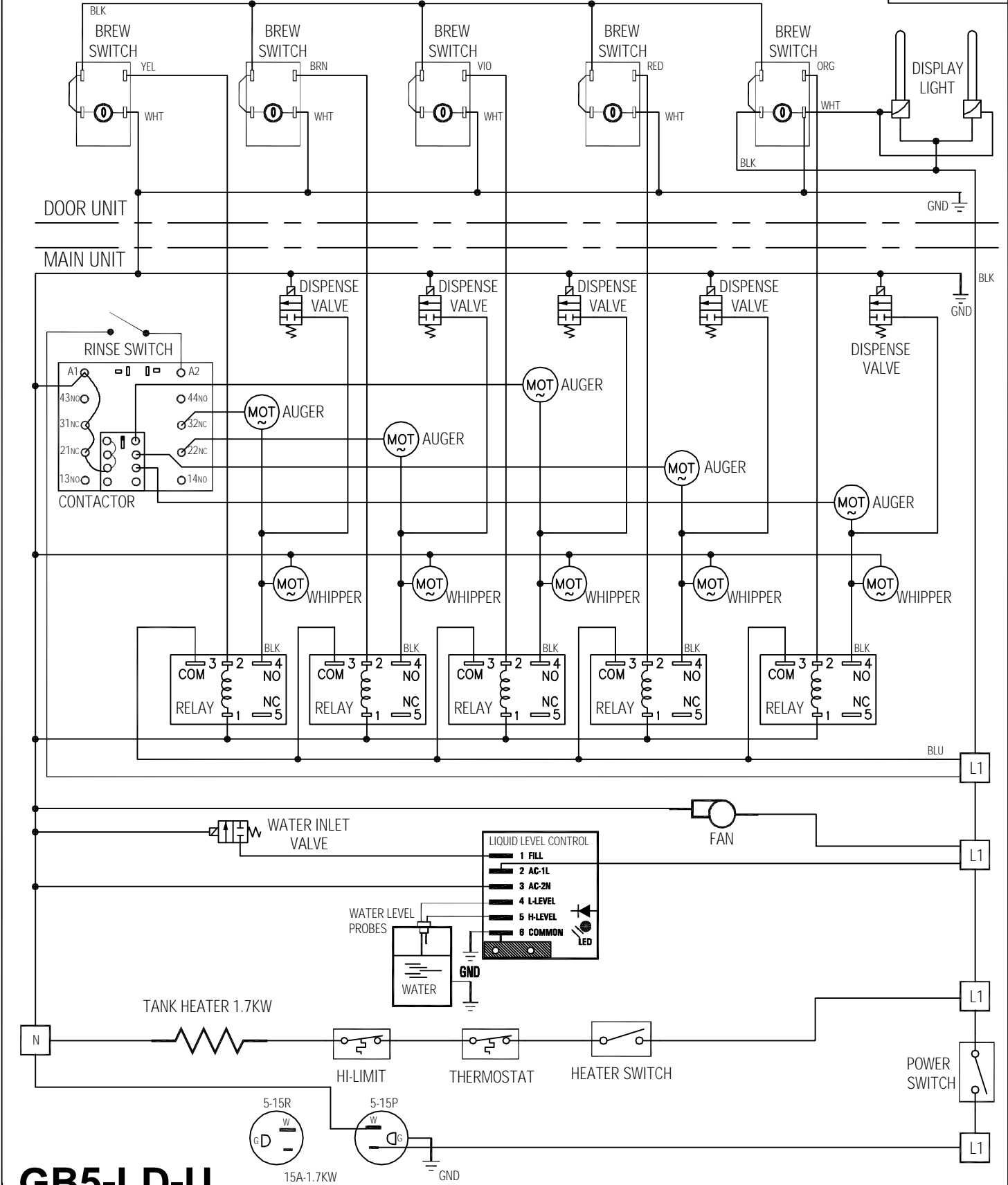
PARTS LIST

ITEM	DESCRIPTION	P/N	QTY
1	ELBOW 90°	K525A	2
2	DISPENSE VALVE	L467A	6
3	SILICONE SEAL (0.466 ID)	M461A	10
4	DUAL PROBE	K695Q	1
5	HI-LIMIT 200° CUTOUT, 5/8" TRIG, #T500	L656A	1
6	O-RING 1 1/4 ID x 1 5/8 OD	M773A	1
7	HEATSINK SHIM ASSEMBLY	K667Q	1
8	SCREW, 1/4-20x5/8, SST, TRUSS HD, SLTD	P465A	4
9	HEATER, 120V 1700W	G267A	1
10	HEATSINK, 1/8" ALUMINUM #1100	K661A	1
11	THERMOSTAT	L681A	1
12	SILICONE BUTT SPLICED GASKET	M879A	1
13	TANK WELDMENT, 3.7 GAL	SJ61Q	1
14	TANK INSULATION	M881A	1
15	TUBE, DRAIN	M622A	1
16	TUBE, OVERFLOW	M622A	1
17	TUBE, DISPENSE	M619A	5
18	TUBE, WATER INLET	M483A	1
19	DRAIN PLUG	M391A	1

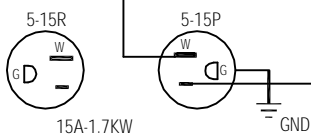


REV	BY	DATE	DESCRIPTION	APPROVED BY	DATE	PART NO. NE37A	
MATERIAL:	N/A			DRAWN BY	C.G.	DATE 6/12/97	SCALE N T S
<h1>CECILWARE CORPORATION</h1>				43-05 20 AVE. L.I.C. NY 11105			
TITLE: ELECTRICAL DIAGRAM GB4, 4M, 4M-8, 4MD [120V, 1.7KW, 1 PH, 2 WIRES + GROUND] W/ RELAYS							
						REV. -	

NE220

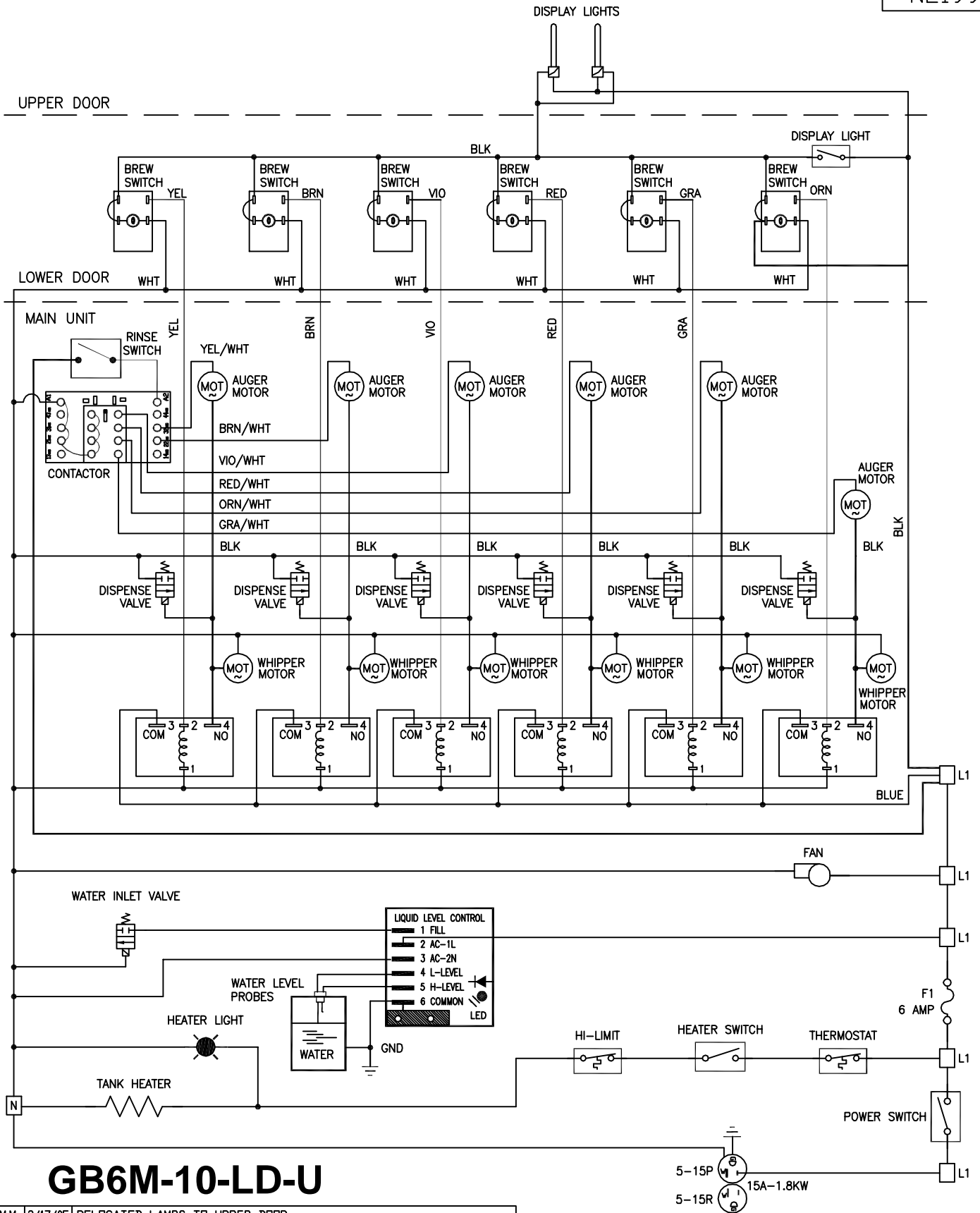


GB5-LD-U



REV		BY	DATE	DESCRIPTION	APP'D BY	DATE	PART NO NE220
					DRAWN BY JR	DATE 11/07/2003	SCALE NONE
CECILWARE CORPORATION							43-05 20 AVE. L.I.C. NY 11105
TITLE: ELECTRICAL DIAGRAM (1.7KW, 120V, 2 WIRES, + GND), W/ RELAYS CONTACTOR							REV.

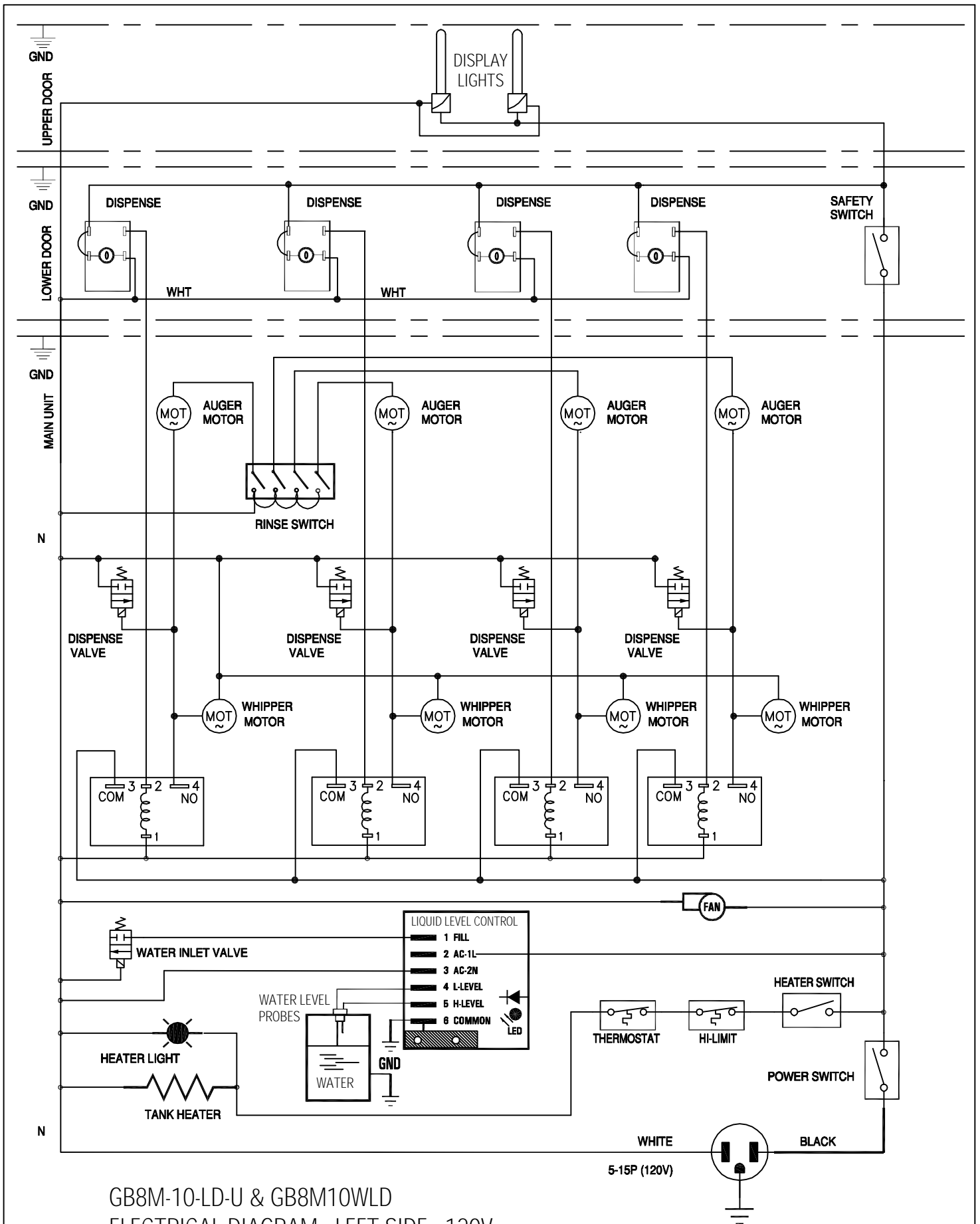
NE220



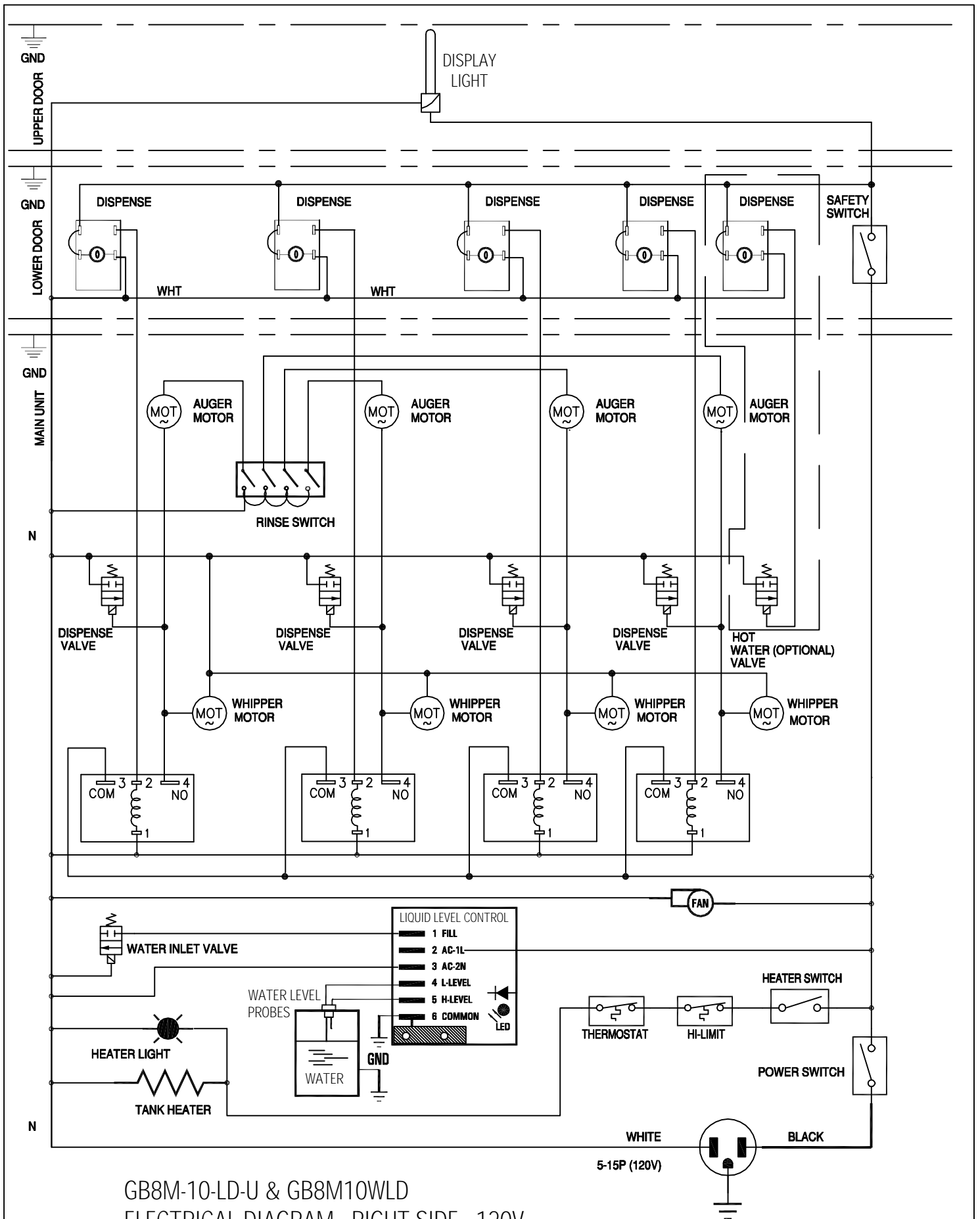
GB6M-10-LD-U

C	M.M.	3/17/05	RELOCATED LAMPS TO UPPER DOOR
B		03/14/05	CHANGED LIGHTS AND SWITCH
A	CG	3/22/03	ADDED SAFETY SWITCH TO DIAGRAM
REV	BY	DATE	DESCRIPTION

APPROVED BY	DATE	PART NO. NE199
DRAWN BY M.M.	DATE 11/15/2002	SCALE N T S



GB8M-10-LD-U & GB8M10WLD
ELECTRICAL DIAGRAM - LEFT SIDE - 120V



GB8M-10-LD-U & GB8M10WLD
ELECTRICAL DIAGRAM - RIGHT SIDE - 120V