

# CONTENTS

INTRODUCTION .....	1
MOUNTING RECOMMENDATIONS .....	2
FAN INSTALLATION .....	3
OPTIONAL EXCLUSIVE LIGHT FIXTURE INSTALLATION .....	9
CONTROL FEATURES:	
VERSA•TOUCH 2 .....	11
TROUBLESHOOTING .....	13

## READ AND SAVE THESE INSTRUCTIONS

## SAFETY FIRST

Safety and the proper operation of your Casablanca fan both require a thorough knowledge of the product and proper installation; therefore, before attempting to install and operate your Casablanca fan, read this owner's manual completely and carefully. Retain this manual for future reference.

**CAUTION:** To avoid possible electrical shock, make certain that electricity is turned off at the circuit breaker or fuse box before attempting any installation procedure.

## BEFORE YOU START

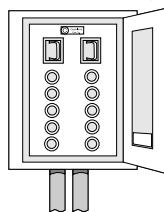
- **CAUTION: RISK OF ELECTRICAL SHOCK!** All wiring must be performed in accordance with national and local electrical codes. If you are unfamiliar with the wiring codes, you should use a qualified electrician. To avoid overheating and possible damage to other equipment, do not install control to a receptacle, fluorescent light fixture, motor operated appliance, or transformer-supplied appliance.
- This fan is designed to be installed on an existing electrical outlet box. The outlet box must be UL Listed for ceiling fan installations, if it is not, a new box must be installed. Casablanca extension poles are available for sloped or high ceiling installations.
- This ceiling fan requires a grounded electrical supply of 120 VAC, 60 Hz and a minimum 15 amp circuit. The maximum current requirement for the fan with light fixture is 3.8 amps. The fan uses about 1 amp or 100 watts. Maximum light current is 2.8 amps or 340 watts of lighting.
- Where wire nuts are employed, be sure all bare wires are within the connectors. When installing the canopy hatch, make sure all wires are within the canopy and that no wires are being pinched.

**For best performance and for your warranty to be valid, use only genuine Casablanca blades, light fixtures, and accessories.**

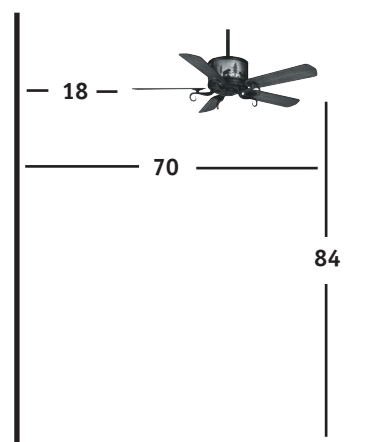
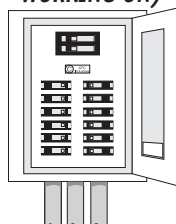
## NOTES

- The blades in each pack are matched for equal weight to assure smooth fan operation. If more than one fan is being installed, be careful not to mix blades from different cartons.
- Inspect the contents of your carton for possible shipping or handling damage and report any such damage directly to your authorized Casablanca dealer.
- It is always a good idea to have an assistant to help with the installation.
- When cleaning, painting, or working near your fan, be very careful of the fan and blades. Always turn the power OFF to the ceiling fan before servicing it, working on it, or replacing light bulbs.
- Never insert anything into the path of the fan blades while the fan is in operation.
- Never install a fan over a pool or spa.
- Never operate a fan that has been damaged in any way. Contact Casablanca Fan Company by calling 1-888-335-5247, or contact your local authorized Casablanca dealer for assistance in obtaining service.

**FUSE BOX  
(REMOVE FUSE FOR THE  
CIRCUIT YOU WILL BE  
WORKING ON)**



**CIRCUIT BREAKER  
(TRIP BREAKER FOR THE  
CIRCUIT YOU WILL BE  
WORKING ON)**



## MOUNTING RECOMMENDATIONS

Before mounting your Casablanca fan, read the following helpful recommendations. The location of the fan, air circulation, and fan size are all important factors to consider before installation.

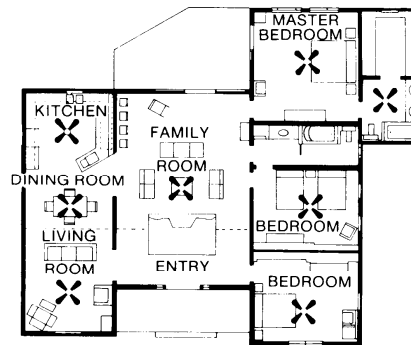
### Location

Ceiling fans have practical uses in almost every room in your home. We suggest you follow these mounting recommendations as you decide where to install your Casablanca fan.

- For safety reasons, the fan blades must be a minimum of 7' above the floor.
- Do not locate the fan in a doorway or above a swinging door.
- In any installation, the tips of the blades must be at least 18" from the wall in order to provide sufficient clearance for the blades.
- In bedrooms, fans work best when mounted above the foot of the bed.
- In low ceiling locations, our optional Low Ceiling Adaptor (LCA—available at extra cost) can be used to gain 3½" on certain fan models.
- Over pool tables, be sure to provide plenty of clearance to avoid damage from pool cues.
- In kitchens be sure to allow for open cupboard doors to clear the fan blades.
- Do not install a fan close to, or over, a pool or spa. High humidity combined with corrosive gases will destroy the finish and warp the blades.

### Fan Size

Variable fan speed capability permits the use of a full-size 52" fan even in smaller rooms. For very large rooms, two fans may be needed.



## SLOPED CEILING INSTALLATIONS

Suggested Extension Pole Lengths	
Ceiling Height	Pole Length
8'	Standard
8' 6"	Standard
9'	6"
9' 6"	12"
10'	12"
11'	18"
12'	24"
13'	36"
14'	48"

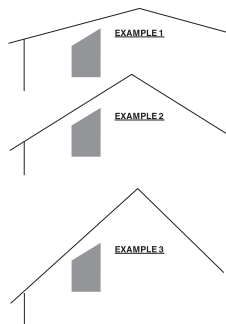
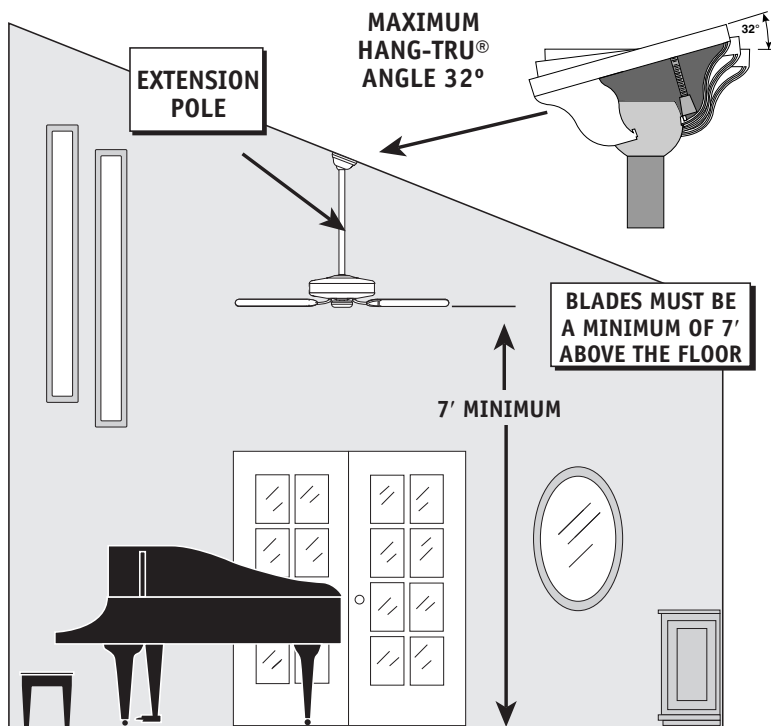
### When to Use Extension Poles

For best performance and best appearance, an extension pole should be used with your Casablanca fan when installing on high (cathedral) ceilings or sloped ceilings. Casablanca offers standard poles in increments of 6" up to 5'. Custom poles are available in lengths up to 9' 9". See your Authorized Casablanca Dealer for details.

*NOTE: Fan may wobble or vibrate if pole length is not long enough and inside blade is too close to downslope or side wall. Extending pole length will usually solve problem.*

### Calculation of Ceiling Angle

Use the tear-off Ceiling Angle Template card inserted in the back of this manual, it provides you with a simple 'go' or 'no-go' for installing your fan on a sloped ceiling.



This slope is less than 32°. It is OK to install your fan.

This slope is 32°. This is the maximum slope that will allow the fan to hang straight down. It is OK to install your fan.

This slope is more than 32°. Your fan will not hang straight down, an adaptor is necessary. Contact your local Authorized Casablanca Dealer in regards to purchasing a "Slope Ceiling Adaptor."



## INSTALLATION INSTRUCTIONS

**Unpacking:** Before assembling and installing your ceiling fan, remove all parts from the shipping cartons and check them against the parts listed here. Before discarding packaging material, be certain that all parts have been removed.

## PERMA•LOCK™ HARDWARE



**ALLEN SET SCREW**  
1/4-20 x 1/4"  
(PRE-INSTALLED)



**3mm  
ALLEN WRENCH**



**MOTOR COVER**



**6 - 3/8" SCREW  
(3)**



**6" DOWNROD  
& BALL ASSEMBLY**

## FAN PREPARATION

### IMPORTANT SAFETY INFORMATION!

BEFORE STARTING THE INSTALLATION OF YOUR CEILING FAN, INSTALL THE THREADED DOWNROD INTO THE MOTOR COUPLING AND LOCK THE ASSEMBLY

**Prepare for fan installation as follows:**

**Step A.** Place the motor cover on the downrod as shown.

**Step B.** Route the wires from the motor through the Perma•Lock™ downrod and ball assembly.

Tip: The downrod has a tapered thread that is designed to lock completely when correctly installed.

**Step C.** Using the provided allen wrench, loosen the set screw several turns to allow installation of the downrod. Thread the downrod into the motor coupling until it stops turning, this will take at least four and a half full turns.

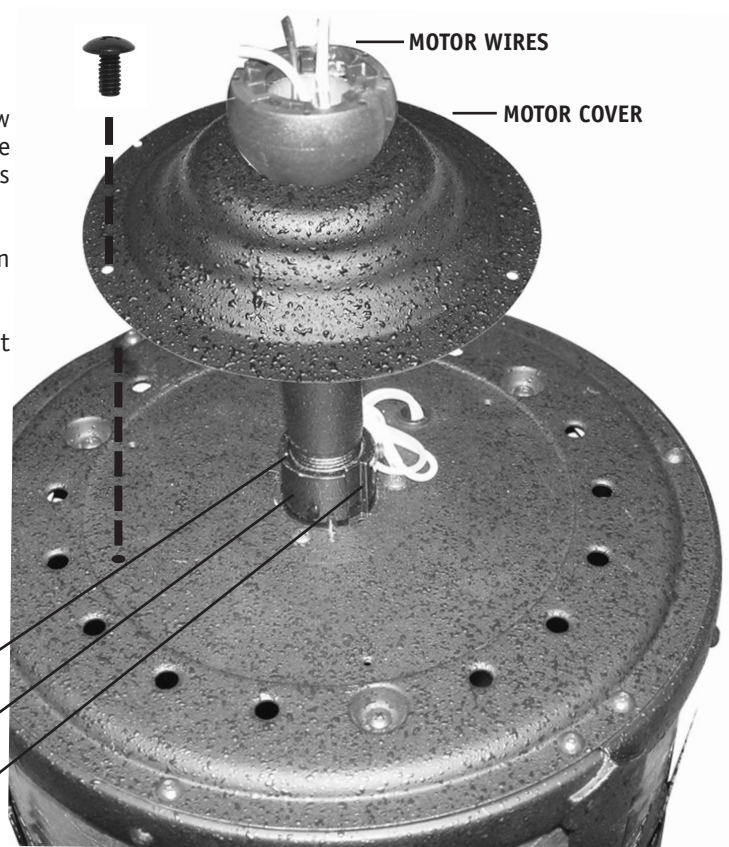
**Step D.** Securely tighten the set screw with the provided allen wrench to ensure safe operation of your fan.

**Step E.** Slide the motor cover down so that it is flush against the top of the fan.

**CAUTION:** Failure to fully lock in the downrod before securely tightening the allen set screw may cause the fan to separate from the downrod during normal operation!

**Step F.** Using the three screws provided, attach the motor cover to the motor. Tighten firmly by hand only.

**DOWNROD & BALL ASSEMBLY**



## GETTING STARTED

### Installing a New Ceiling Fixture Outlet Box

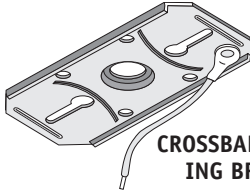
If you do not have an existing fixture located where you wish to place your Casablanca fan, an approved ceiling fixture outlet box must be installed and wired.

**Warning:** To reduce the risk of fire, electrical shock, or personal injury, mount to outlet box marked acceptable for ceiling fan support using the mounting hardware provided with the outlet box.

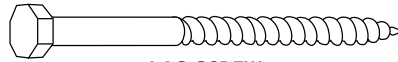
### Using Existing Ceiling Fixture Outlet Box

After turning the power OFF at its source (either circuit breaker or fuse box), lower the old fixture and disconnect the wiring. Check the ceiling fixture outlet box to be sure that it is marked 'Approved for ceiling fan mounting'. If it is not, a new box must be installed.

## CEILING HARDWARE & SUPPORT INSTALLATION PARTS



CROSSBAR MOUNTING BRACKET



LAG SCREW  
3/8" #7 X 5" (1)

### ADDITIONAL HARDWARE



2 1/4" x 8-32 ROUNDED HEAD SCREW (2)



1" x 8-32 ROUNDED HEAD SCREW (2)



WIRE NUT (4)



FLAT WASHER (2)

## CROSSBAR MOUNTING BRACKET INSTALLATION

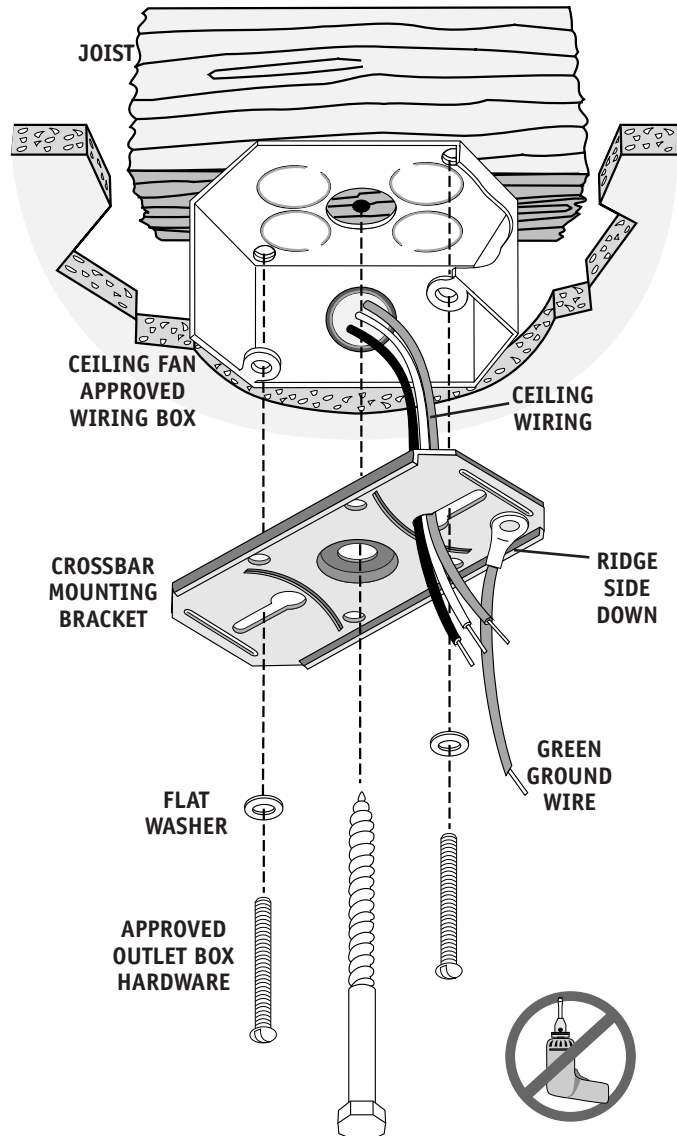
**Note:** After removing the old fixture, check the outlet box to insure that it is supported by a joist or beam across its upper surface. If not, a 2" x 4" stud must be installed.

**Step 1.** Remove the knockout plug in the center of the outlet box or drill a 1/2" hole for the lag screw to pass through. Then drill a 1/4" guide hole into the joist or beam to a depth of 3".

**Step 2.** Route the outlet box wires through the keyhole slot of the crossbar mounting bracket as shown. Attach the crossbar mounting bracket to outlet box with screws provided, assuring that the outlet box wires are not pinched by the washer.

**CAUTION:** To reduce the risk of personal injury, use only the mounting hardware provided with the approved outlet box to install the crossbar mounting bracket.

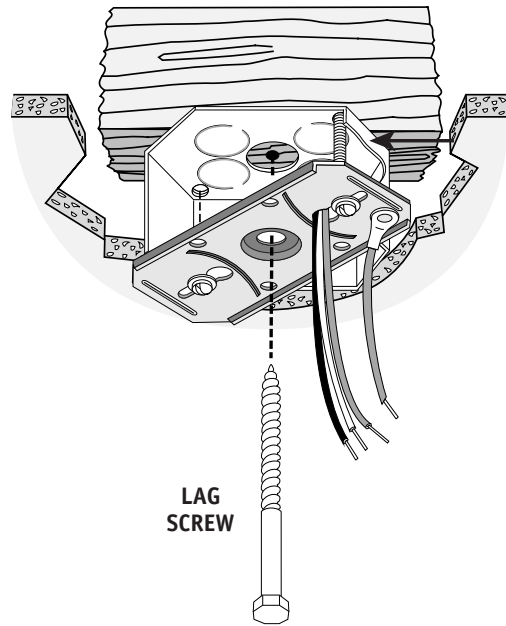
**WARNING!**  
SUPPORT DIRECTLY TO  
BUILDING STRUCTURE ONLY.



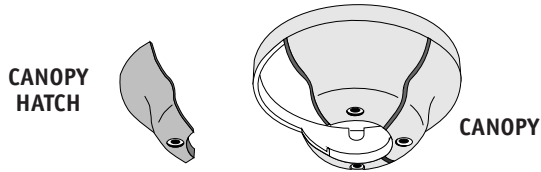


## LAG SCREW INSTALLATION

**Step 3.** Pass the lag screw through the center hole of the crossbar mounting bracket and screw into guide hole. Tighten until outlet box is firmly mounted to beam. This box must be firmly secured to the ceiling. We recommend that the ceiling fixture outlet box be of sufficient capacity enabling it to support the weight of fan and light fixture under any conditions.



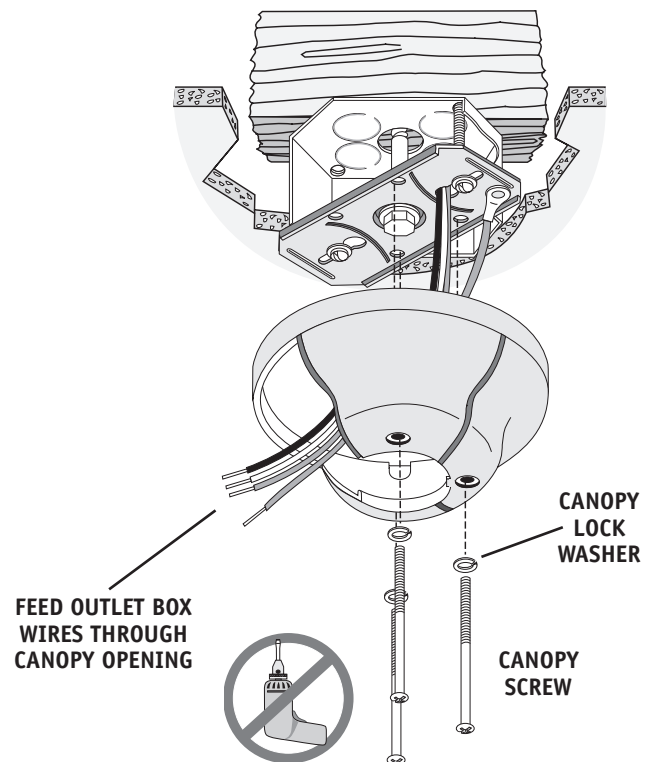
## CANOPY HARDWARE



## CANOPY INSTALLATION

**Step 4.** Attach the canopy to the crossbar mounting bracket with three of the 8-32 x 2 1/4" long canopy screws and canopy lock washers. Tighten the screw firmly by *hand* only.

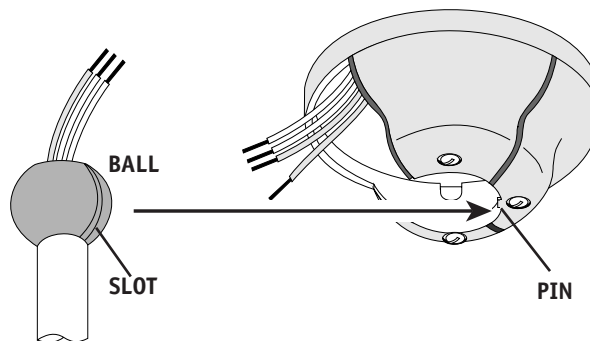
**Note:** On sloped ceilings, align the canopy opening towards the top or room peak.



## HANGING THE FAN

**Step 5.** To hang the fan body in the canopy, hold the fan body firmly and insert the ball into the canopy opening. Check that no wires were pinched. Rotate the fan body until the slot in the ball fits into the pin opposite the canopy opening.

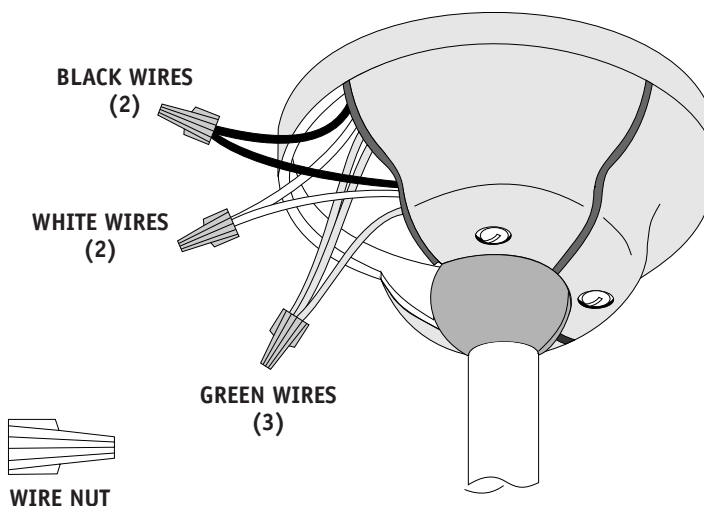
**NOTE:** *The fan weight is 50 pounds.*



## CANOPY ELECTRICAL CONNECTIONS

**Step 6.** Attach the fan wires to the ceiling fixture outlet box wiring by twisting the bare ends of the wires together and then securing with a wire nut. Connect in this order:

- GREEN leads from mounting plate and fan to GROUND conductor of power source. Secure with wire nut.
- WHITE wire from fan to white NEUTRAL wire in ceiling fixture outlet box. Secure with wire nut.
- BLACK wire from fan to black (or red) POWER wire in ceiling fixture outlet box. Secure with wire nut.



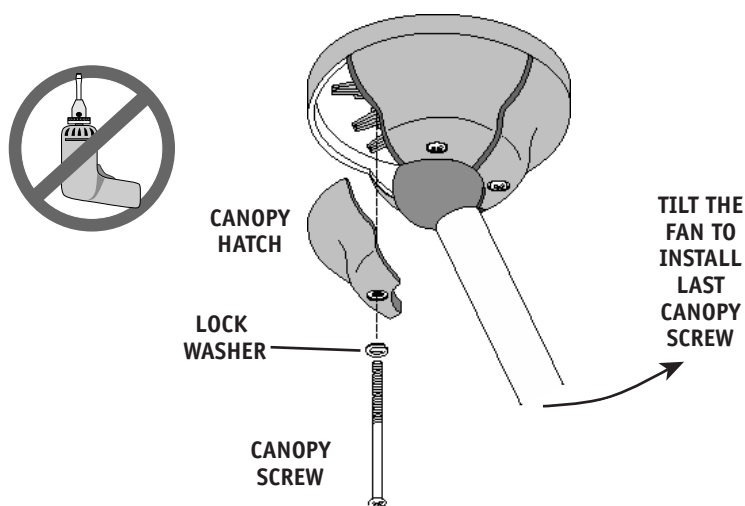
## CANOPY HATCH INSTALLATION

**Step 7.** Tuck the wires into the canopy with the wire nuts pointed upwards, so that the WHITE and BLACK wires are on opposite sides of the canopy and all wires are clear of the canopy opening.

**Step 8.** Install canopy hatch with the last canopy screw and lock washer. To do this, tilt the fan body away from the hatch opening. Tighten the screws firmly by *hand* only.

**Step 9.** Straighten the fan, then check to ensure that there is no movement between the canopy and ceiling or Hang-Tru ball and top support shaft.

**Note:** *Write down the Serial Number and the model number for future reference from the top of the fan.*

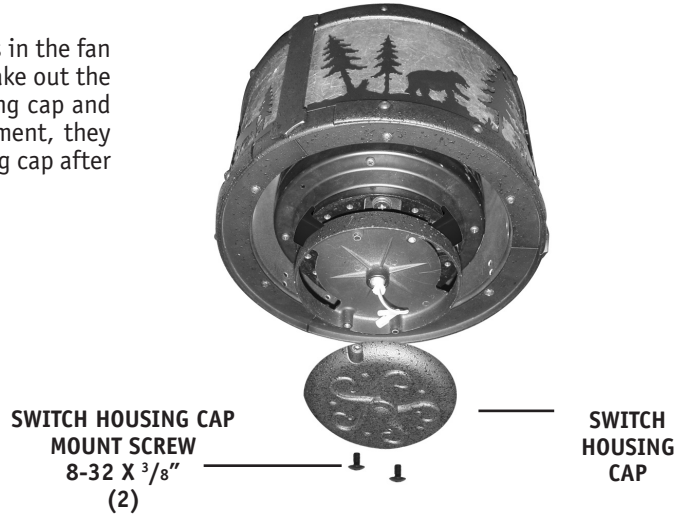




## REMOVE DUMMY SWITCH HOUSING & SHIPPING BLOCK

**Step 10.** To reach the blade holder mounting holes in the fan motor the switch housing cap must be removed. Take out the two 8-32 X 3/8" screws securing the switch housing cap and remove. Put the two (2) screws aside for the moment, they will be used in Step 15 to install the switch housing cap after the blades are installed.

**Note:** Save these two screws—they will be used in Step 15!



## BLADE & BLADE HOLDER HARDWARE



BLADE



BLADE HOLDER



BLADE SCREW AND WASHER (4 PER BLADE)



BLADE HOLDER SCREW (2 PER BLADE)

## BLADE BADGE INSTALLATION

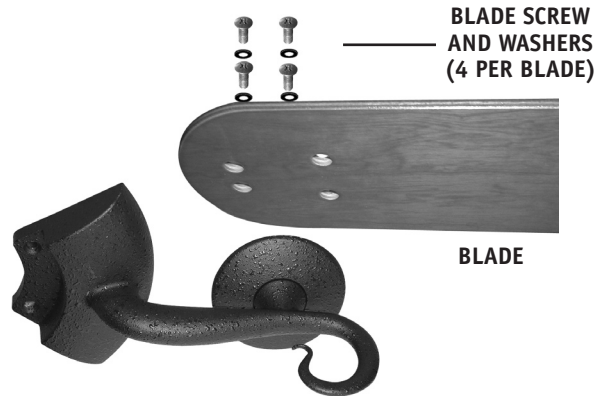
**Step 11.** Attach each blade to a blade holder by first pressing the blade badge into the blade, then installing the blade holder using the four blade screws provided for each blade.

Using a screwdriver tighten securely by *hand* only.

Repeat for each blade assembly



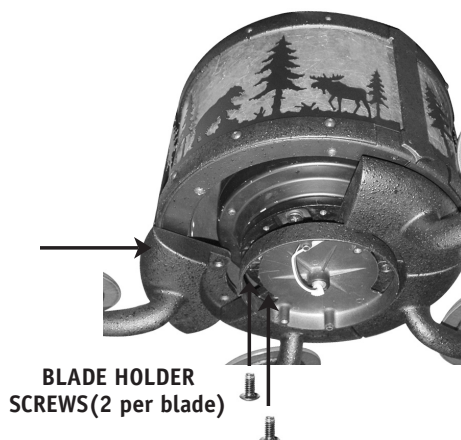
BLADE HOLDER



## BLADE/BLADE HOLDER INSTALLATION

**Step 12.** Using the blade holder screws(pack of 11) attach each blade/bladeholder assembly to the motor.

Using the screwdriver, tighten securely by *hand* only.



## SWITCH HOUSING BRACKET/ CAP HARDWARE



SWITCH HOUSING CAP



SWITCH HOUSING BRACKET  
(2)



SWITCH HOUSING  
MOUNT SCREW  
(REMOVED IN STEP 10)  
8-32 X 3/8"  
(2)

## INSTALLING THE SWITCH HOUSING BRACKETS

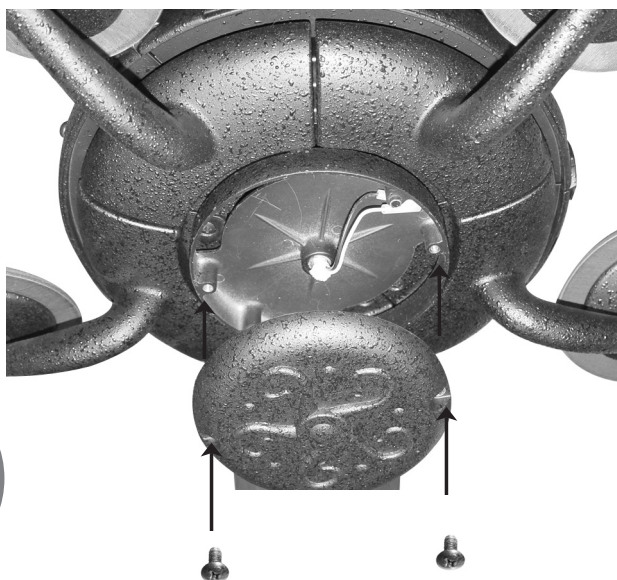
**Step 13.** Take the 2 switch housing brackets and snap them into place in the holes in the switch housing. This is to prevent any wires getting pushed down near the motor. Make sure no wires are in the way or pinched in these brackets.

## INSTALLING THE SWITCH HOUSING CAP

**Note:** If you have purchased an accessory light fixture for this fan, please go to **Step 16.** if not, please continue with **Step 14.**

**Step 14.** Line up the two clearance holes in the cap with the two threaded holes on the raised rim of the switch housing. Press the cap onto the switch housing to seat the guide pins into the alignment holes of the switch housing.

**Step 15.** Using the two (2) 8-32 X 3/8" screws removed in Step 10, install the cap onto the switch housing. Tighten securely by *hand* only.







## INSTALLING OPTIONAL LIGHT FIXTURE



LIGHT FIXTURE



MICA SHADE  
(3)



BULB  
(3)

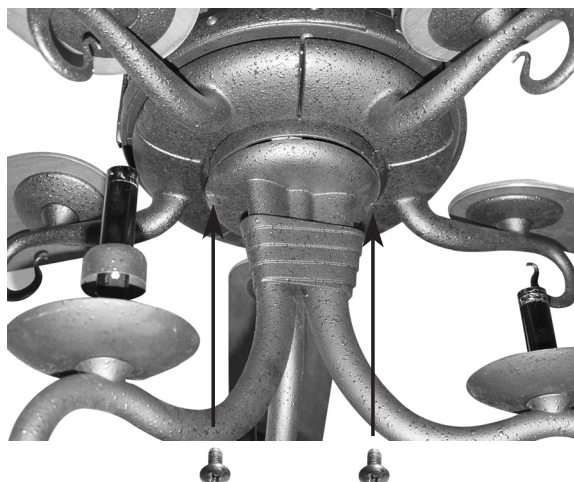
**Step 16.** Unpack light fixture and make sure everything is accounted for. Refer to the instruction sheet included with each fixture.

**Step 17.** While holding the light fixture up to the fan connect the wires from the fixture to the wires from the fan. Black to Blue and White to White by snapping the connectors together. Give each connection a slight pull to ensure the connection is complete.



## INSTALLING OPTIONAL LIGHT FIXTURE

**Step 18.** Line up the two clearance holes in the light fixtures with the two threaded holes on the raised rim of the switch housing.



**Step 19.** Using the two 8/32 x 3/8" screws removed in step 10, install the light fixture onto the switch housing. Tighten securely by hand only.

**Step 20.** Place a mica shade onto each fixture arm by pushing gently on the socket ring as you align it onto the socket cover. Make sure each shade is secure and straight.



**Step 21.** Install each light bulb into the socket by passing through the top of the shade.

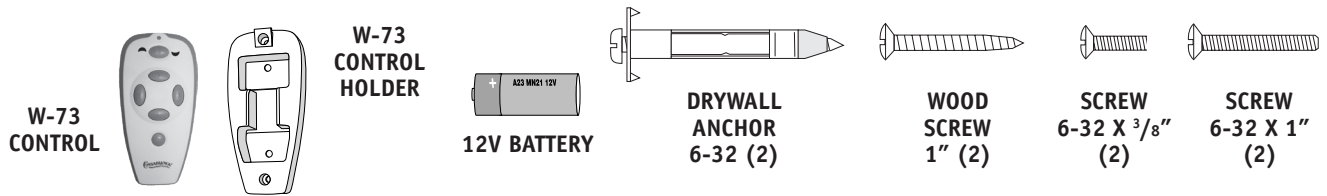




## SAFETY FIRST

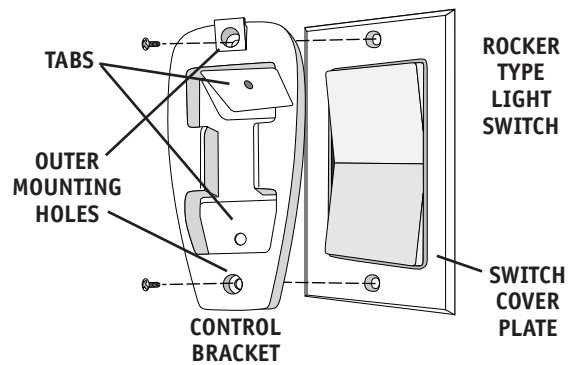
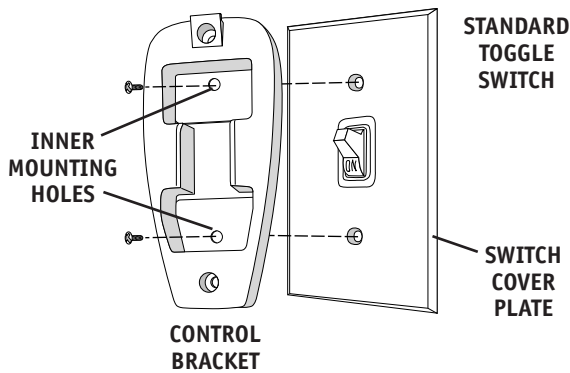
**Warning:** To reduce the risk of electrical shock, this fan must be installed with an isolating wall control/switch.

## VERSA•TOUCH2 INSTALLATION



## VERSA•TOUCH2 CONTROL BRACKET INSTALLATION

**CAUTION!** Do not use with wall dimmer.



### Standard Light Switch

**Step A.** Remove the two screws holding the switch cover plate. Do not remove the cover plate.

**Step B.** Orient the control bracket as shown and line up the two inner mounting holes with those on the switch.

**Step C.** Install and tighten screws removed in Step A, by *hand* only.

### Rocker Light Switch

**Step A.** Break off the two tabs by pushing outward.

**Step B.** Remove the two screws holding the switch cover plate. Do not remove the cover plate.

**Step C.** Orient the control bracket as shown and line up the two inner mounting holes with those on the switch.

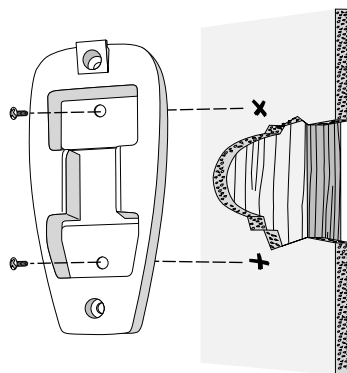
**Step D.** Install and tighten screws by *hand* only.

### Wall Installation

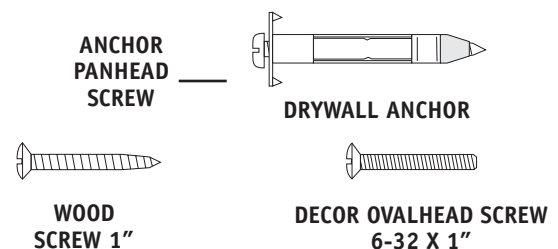
**Step A.** Locate a 2x4 wall stud in a convenient location.

**Step B.** Orient the control bracket as shown over the 2x4 stud.

**Step C.** Use the 1" wood screws in either the inner or outer mounting holes. Install and tighten screws by *hand* only.



**Note:** The wall anchors and 6-32 x 1" screws may be used in situations where mounting to a stud is not possible. Use the inner mounting holes. After securing the anchor, discard the anchor's pointed screws and use the 6-32 decor ovalhead screws supplied.



*Changes or modifications not expressly approved in writing by Casablanca Fan Co. may void the user's authority to operate this equipment.*

This device complies with RSS-210 of Industry Canada. Operation is subject to the following two conditions: (1) this device may not cause interference, and (2) this device must accept any interference, including interference that may cause undesired operation of the device.



## VERSA•TOUCH2 OPERATION

### Fan Control

To start the fan. Press the selected speed button to run the fan at the desired speed.

**1=Low speed 2=Medium speed 3=High speed**

To turn off the fan. Press the FAN OFF button.

### Airflow Direction

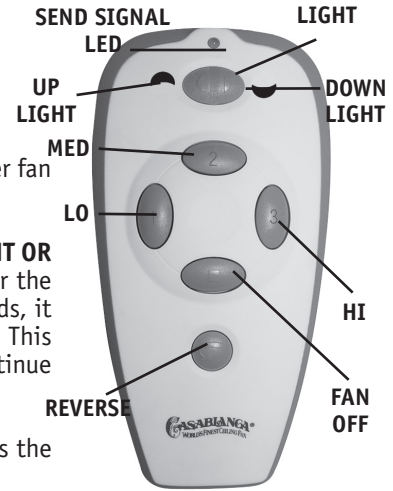
To reverse the airflow press the **REVERSE** button. Reverse operates at any speed whether fan is on or off. The fan returns to its set speed after reversing.

### Light Control

Turn the light on or off independently from the fan by pressing the **UPLIGHT DOWNLIGHT OR BOTH** button. (This is a rocker switch. Press the left side for the Uplight, right side for the Downlight, and the middle for both.) Keep pressing the button in excess of 0.7 seconds, it becomes a dimmer. The light varies from 'bright' to 'dim' over approximately 8 seconds. This sequence will reverse the light when it reaches the brightest or dimmest level if you continue to hold the **LIGHT** button. Release the button when the desired level is reached.

### Auto Resume

Quick (pressing less than 0.7 seconds) on/off operation of the **LIGHT** button maintains the desired brightness level set previously.



## VERSA•TOUCH CHANGING FREQUENCY SETTING

**Note:** All fans leave the factory set to '00000'.

You will only have to change the dip switch settings in the remote if you are using more than one fan in the same area and want to control them separately.

**Step 1.** At the circuit breaker or fuse box, turn the power off for the fan you want to change.

**Step 2.** Open the battery door of the Versa•Touch control and remove the batteries.

**Step 3.** Change the dip switch settings, assuring that they are different from the previously installed Versa•Touch fan.

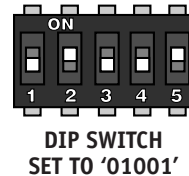
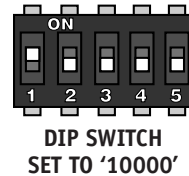
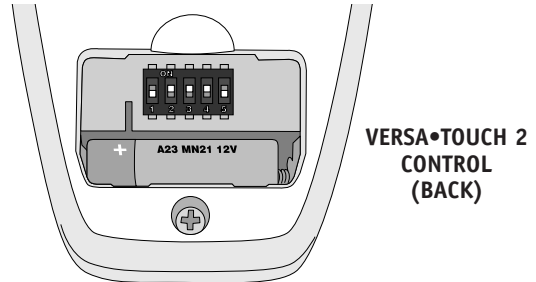
**Step 4.** Re-install the batteries and the battery door on the control.

**Step 5.** At the circuit breaker or fuse box, turn the power back on for the fan whose frequency you are changing.

**Step 6.** Within 20 seconds of restoring power, push the Hi, Med, and Lo buttons (in that order).

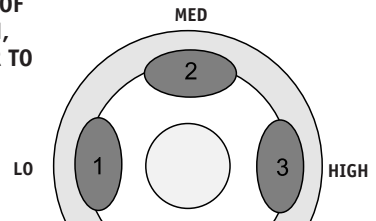
**Note:** You may want to label your controls to assure you do not mix them up.

**WARNING:** Do not turn the power off at the circuit breaker, then back on, for the previously installed Versa•Touch 2 fan(s), as you may inadvertently change the frequency settings for it as well.



**WITHIN 20 SECONDS OF TURNING THE FAN ON, PRESS IN THIS ORDER TO SET NEW FREQUENCY:**

HI  
MED  
LO



## VERSA•TOUCH2 IF FAN DOES NOT WORK

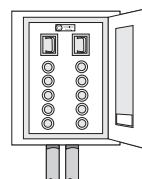
**If the fan is not functioning after installation:**

**Step 1.** Check to make sure that batteries are installed correctly in the control.

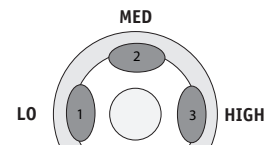
**Step 2.** Turn the power off to the fan (from the circuit breaker) for at least 5 seconds.

**Step 3.** Turn the power back on (at the circuit breaker) and push the Hi, Med, and Low buttons—in that order—within 20 seconds.

**Step 4.** The fan should now function properly.



CIRCUIT BREAKER OR FUSE BOX



PRESS IN THIS ORDER TO SET NEW FREQUENCY:  
HI MED LO



## TROUBLESHOOTING PROBLEM VERSA•TOUCH 2 POSSIBLE REMEDIES

**Before Requesting Service: Please follow this troubleshooting guide before contacting your dealer for assistance.**

- FAN WILL NOT START**
- Check main circuit fuses, circuit breakers, or wall switch position. Check all wire connections, making sure the power is turned off during this inspection.
  - Pin connectors are not making good contact. Check the connections in the switch housing and under the top cover.
  - Battery weak - install fresh battery.
  - Fan receiver defective - replace.
  - Check the frequency setting: Turn power off, at the circuit breaker, only for the fan not functioning for at least 5 seconds; turn the power back on; within 20 seconds press the Hi, Med, and Lo buttons (in that order) to set the frequency of the fan to the control.
- FAN WOBBLER OR SHAKES EXCESSIVELY**
- Be sure canopy pin is properly set into the slot on the ball.
  - Check that bladeholders have not been bent during installation and blades are balanced.
  - Hanger bracket and/or ceiling outlet are loosely attached: Make sure that the hanger bracket is tightly attached to the ceiling outlet box. Make sure that the downrod assembly is secured firmly.
  - Downrod is loosely attached to downrod base: Make sure that all screws are securely tightened .
- FAN NOISY DURING OPERATION**
- Check and tighten light fixture retaining screws, glass shade screws and/or the light bulb(s).
  - Tighten canopy screws and mounting plate assembly. Check that the wire nuts inside the canopy and switch housing are not touching the metal parts or have fallen off the wire splices. Tighten as necessary.
  - Tighten blade holders to flywheel (or direct drive motor)/and blade to bladeholder screws.
  - Make sure all screws in the motor housing are snug, but not overly tight. Defective bulb: Replace bulb.
- DOES NOT RUN ON LOW SPEED**
- If new, "break-in" may be required - run at higher speed for several days.
- BATTERY LIFE SEEMS SHORT**
- Not using Alkaline batteries: Replace with Alkaline batteries.

- **LIGHT O.K., NO FAN:** Pin connectors are not making good contact, check 9 pin connector under top cover.
- **FAN O.K., NO LIGHT;** Defective receiver; Replace receiver. Defective motor; Replace motor. Broken socket; Replace socket. Defective receiver; Replace Receiver.
- **FAN AND LIGHT ON FULL, NO CONTROL;** Defective receiver; Replace Receiver.
- **MISSING ONE SPEED:** Defective receiver; Replace Receiver.
- **FAN DOESN'T CHANGE SPEED, LIGHT O.K.:** Replace receiver.
- **FAN O.K., LIGHT NOT DIM:** Defective receiver; Replace Receiver.
- **NO REVERSE:** Defective receiver; Replace Receiver.
- **FAN OPERATES ONLY WHEN TRANSMITTER IS CLOSED:** Check antenna wire is not touching metal plate.
- **FAN STARTS WORKING BY ITSELF:** Frequency interference; Change frequency as described on Page 9.

**For questions or to locate the nearest Casablanca Authorized Service Center call toll free: 1-888-227-2178 or visit us on the web at: [www.CasablancaFanCo.com](http://www.CasablancaFanCo.com)**

1. This device complies with Part 15 of the FCC Rules. Operation is subject to the following two conditions: (1) this device may not cause harmful interference, and (2) this device must accept any interference received, including interference that may cause undesired operation.

2. This equipment has been tested and found to comply with the limits for a Class B digital device, pursuant to Part 15 of the FCC Rules. These limits are designed to provide reasonable protection against harmful interference in a residential installation. This equipment generates, uses and can radiate radio frequency energy and, if not installed and used in accordance with the instructions, may cause harmful interference to radio communications. However, there is no guarantee that interference will not occur in a particular installation. If this equipment does cause harmful interference to radio or television reception, which can be determined by turning the equipment off and on, the user is encouraged to try to correct the interference by one or more of the following measures: Reorient or relocate the receiving antenna, increase the separation between the equipment and receiver, connect the equipment into an outlet on a circuit different from that to which the receiver is connected, consult the dealer or an experienced radio/TV technician for help. Note: Any changes or modifications to the transmitter or receiver not expressly approved by Casablanca Fan Company may void one's authority to operate this remote control.

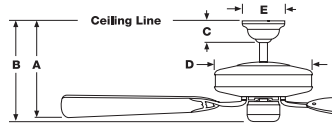
**PRODUCT SPECIFICATIONS**

Model Name: Wilderness™  
Model Number: 86UxxM

Motor: 188 x 20mm Direct Drive™  
Blade Span: 54"  
Blade Iron Pitch: 14°  
No. of Blades: 5  
Technology: Versa•Touch2® W-73

Dimensions: A = 16"  
B = 17"  
C = 3"  
D = 11.8"  
E = 5.6"

NOTE: Dimension B includes light fixture and glass.



Weight: 50 lbs.

**Airflow:** 6,772 cfm  
**Electricity Use\*:** 84 watts  
**Airflow Efficiency\*:** 75.3 cfm/watt

\* Performance data is for fan only. No lighting wattage is included.