

# CANDELIER™ OWNER'S MANUAL

## READ AND SAVE THESE INSTRUCTIONS!

Safety and the proper operation of your Casablanca fan require both a thorough knowledge of the product and proper installation. Therefore, before attempting to install and operate your Casablanca fan, read this Owner's Manual completely and carefully. Retain this manual for future reference.

**CAUTION:** To avoid possible electrical shock, make certain that electricity is turned off at the circuit breaker or fuse box before attempting any installation procedure.

## CONTENTS

INTRODUCTION.....	2
Before You Start .....	2
Safe Use .....	2
MOUNTING RECOMMENDATIONS .....	3
General Guidelines .....	3
Sloped Ceiling Installations .....	3
FAN INSTALLATION .....	4
Getting Started .....	4
Crossbar Hanging Bracket Installation .....	4
Canopy Bracket Installation .....	5
Installing Canopy Cover.....	5
Installing Downrod .....	6
Hanging The Fan .....	6
Canopy Electrical Connections .....	7
Fan Blade Installation.....	7
Halogen Bulb Installation.....	8
Removing Flicker Bulbs From Packaging .....	8
Candle Installation .....	9
INTELI•TOUCH™ CONTROL INSTALLATION .....	10
CARE RECOMMENDATIONS .....	12
TROUBLESHOOTING TIPS.....	13
PRODUCT SPECIFICATIONS .....	14
AUTHORIZED SERVICE CENTERS .....	15

## INTRODUCTION BEFORE YOU START

- **CAUTION: RISK OF ELECTRICAL SHOCK!** Installation is to be in accordance with the National Electrical ANSI/NFPA 70-1999 and local codes. If you are unfamiliar with the wiring codes, you should use a qualified electrician. To avoid overheating and possible damage to other equipment, do not install control to a receptacle, fluorescent light fixture, operating appliance, or transformer-supplied appliance.
- This fan should be installed over an UL Listed electrical outlet box, and be mounted directly to a structural support. If the electrical outlet box does not meet these guidelines, a new box must be installed.
- Casablanca extension poles may be available for this model. Accessory downrods are available in lengths from 12 inches to 117 inches. Ask your authorized Casablanca dealer for details.
- This ceiling fan requires a grounded electrical supply of 120 VAC, 60 Hz and a minimum of 15-amp circuit. The maximum current required for the fan with light fixture is 2.77 amps. The fan uses about 0.9 amps (108 watts). Maximum light current is about 1.87 amps (224 watts) of lighting.
- Where wire nuts are employed, be sure all bare wires are within the connectors. When installing the canopy, make sure all wires are within the canopy and that no wires are being pinched.
- **WARNING:** Do not insert foreign objects in between the rotating fan blades.
- **WARNING:** To reduce the risks of fire or electric shock, do not use this fan with any solid-state control device. Use only the control provided with or recommended for this fan.
- **WARNING:** Do not remove stickers from the Candelier fixture. Each numbered sticker corresponds to a candle size and shape, and will be necessary to properly install the candles.

### Unpacking

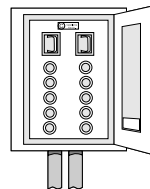
Prior to assembling and installing your ceiling fan, remove all parts from the shipping cartons and check them against the parts listed in the Parts Guide. Do not remove lightbulbs from their packaging until you are ready to install them. Before discarding packaging materials, be certain that all parts have been removed. If loose Styrofoam is stuck to the Candelier fixture, use a clean, dry paintbrush to remove small Styrofoam pieces. Do not brush Styrofoam into wiring cavities.

**For best performance and for your warranty to be valid,  
use only genuine Casablanca blades and accessories.**

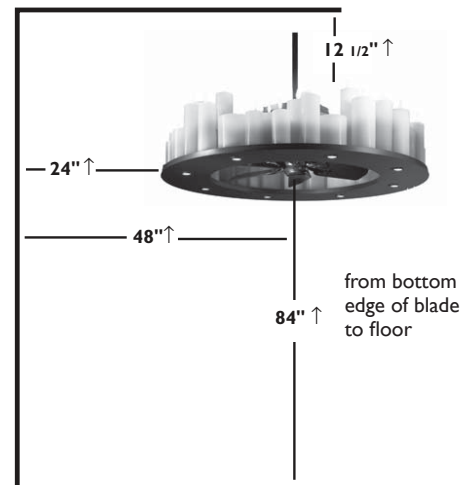
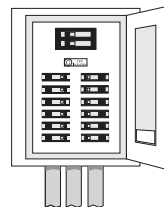
## SAFE USE

- The blades in each pack are matched for equal weight to assure smooth fan operation. If more than one fan is being installed, do not mix blades from different cartons.
- Inspect the contents of your carton for possible shipping or handling damage. If parts are missing or damaged, call 1-888-227-2178.
- You will need a total of three people to install this fan. (Approximate weight is 150 lbs.)
- When cleaning, painting, or working near your fan, be cautious of the fan and blades. Always turn power to the ceiling fan OFF before replacing lightbulbs or working on your fan.
- Never insert anything into the path of the fan blades while the fan is in operation.
- Never install a fan over a pool or spa.
- Never operate a fan that has been damaged in any way. For assistance in obtaining service, contact Casablanca Fan Company toll-free at 1-888-227-2178, or contact your local Authorized Casablanca Dealer.

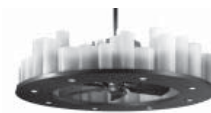
**Fuse Box**  
(Remove fuse for the circuit you will be working on)



**Circuit Breaker**  
(Trip breaker for the circuit you will be working on)



Dimensions indicated are the minimum allowable for proper installation.



## MOUNTING RECOMMENDATIONS GENERAL GUIDELINES

Before mounting your Casablanca Candelier, read the following helpful recommendations. The location of the fan, air circulation, and fan size are all important factors to consider before installation.

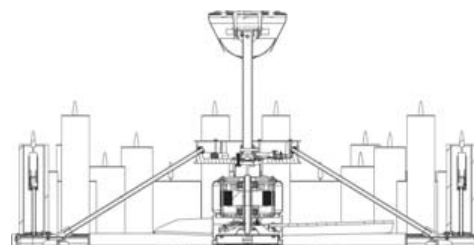
### Location

Ceiling fans have practical uses in almost every room in your home, but the Candelier fixture is intended for use in larger rooms. Keeping that principle in mind, we suggest you follow these mounting recommendations as you decide where to install your Casablanca Candelier.

- For safety reasons, the fan blades must be a minimum of 7 feet above the floor.
- Do not install the fan in a doorway or above a swinging door.
- In bedrooms, fans work best when mounted above the foot of the bed.
- Over pool tables, be sure to provide plenty of clearance to avoid damage from pool cues.
- Do not install a fan close to or over a pool or spa. High humidity combined with corrosive gases will destroy the finish and warp the fan blades.



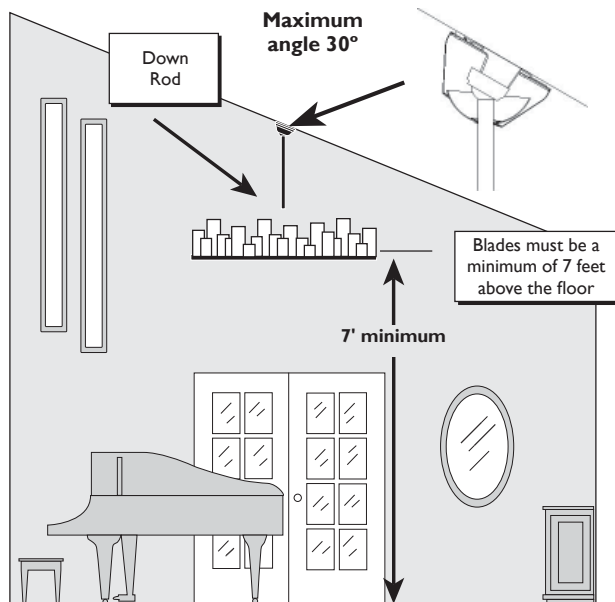
**LAG SCREWS**



## SLOPED CEILING INSTALLATIONS

<b>STANDARD CEILING REQUIREMENTS</b>	
Ceiling Height	Pole Length
9' 0"	Standard
9' 6"	Standard

The Candelier is not designed to be mounted on a ceiling sloped greater than 30 degrees. Mount the Candelier Crossbar Hanging Bracket with the opening pointed either up or to the side, depending on installation. The Candelier canopy cover has been engineered to mount flush to the ceiling, with the canopy insert swiveling to accommodate mildly sloped ceilings.



**This slope is less than 30°. It is OK to install your fan.**



**This slope is 30°. This is the maximum slope that will allow the fan to hang straight down. It is OK to install your fan.**



**This slope is more than 30°. Your fan will not hang straight down. Specialized installation is required.**

## FAN INSTALLATION GETTING STARTED

### Installing a New Ceiling Fixture Outlet Box

If you do not have an existing fixture located where you wish to place your Casablanca Candelier, an approved ceiling fixture outlet box must be installed and wired.

**WARNING:**

The Candelier must be mounted directly to a structural member of the ceiling. It cannot be mounted directly to the outlet box.

### Using Existing Ceiling Fixture Outlet Box

After turning the power OFF at its source (either the circuit breaker or fuse box), lower the old fixture and disconnect the wiring. The Candelier is not to be supported by the ceiling box. It must be directly mounted to the support structure over an approved electrical outlet box. Please consult a licensed electrician to confirm the right support structure is being used.

NOTE: The weight of this fan is approximately 150 pounds.

## CROSSBAR HANGING BRACKET INSTALLATION

PARTS NEEDED FOR THIS SECTION:

**CEILING HARDWARE** (not to scale)



Crossbar Hanging Bracket



Lag Screw

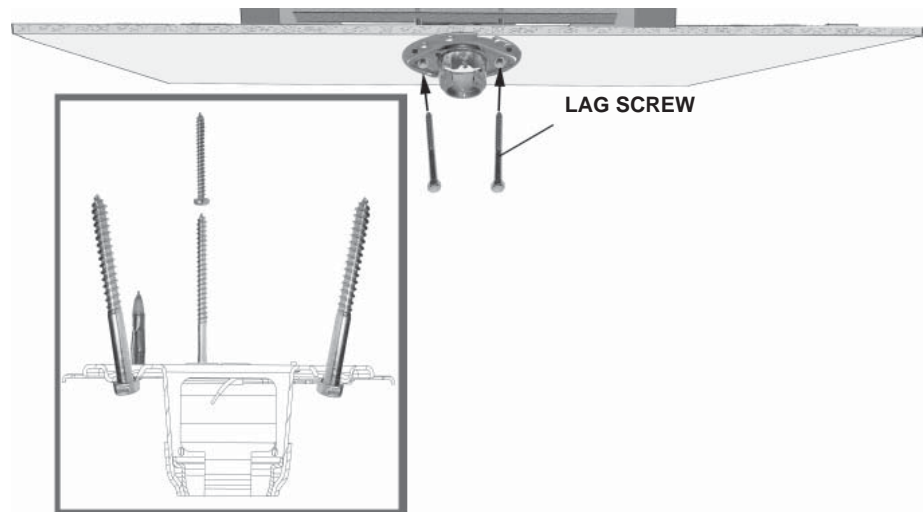
NOTE: If you have removed an old fan fixture, check the outlet box to ensure that a joist or beam supports it across the upper surface. If not, a 2 x 4 stud must be installed.

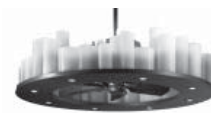
**Step 1a.** Hold the crossbar hanging bracket up to the ceiling. Use a pen or pencil to mark screw placement through the two holes in the bracket. With a 9/32 inch drill bit, drill two holes angled outward (away from the fixture) at approximately a four-degree angle.

**Step 1b.** Insert lag screws into the hanging bracket holes at a four-degree angle. Tighten bolts until they are secure against the ceiling.

**CAUTION:**

To reduce the risk of personal injury, use only the mounting hardware provided with the approved outlet box to install the crossbar mounting bracket.





## CANOPY BRACKET INSTALLATION

PARTS NEEDED FOR THIS SECTION:

**CANOPY BRACKET HARDWARE** (not to scale)



Canopy Bracket



Grommets



Wood Screws



Long Wood Screws



Sheetrock Anchor



Washers

**Step 2a.** Hold the canopy bracket up to the ceiling with the 'lip' side facing the floor. Use a pen or pencil to mark screw placement through the holes in the bracket.

**Step 2b.** Insert three black rubber grommets to the canopy bracket as shown. The bracket is then installed facing the ceiling.

**Step 2c.** Drill holes on both sides of canopy bracket for even support. Select the set of screws most appropriate for your installation.

**Step 2d.** Use one of the following screw combinations:

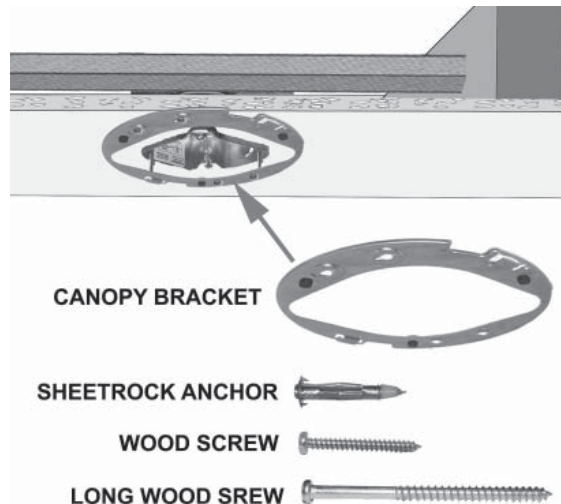
- A. Wood screws and washers
- B. Long wood screws and washers
- C. Sheetrock anchors

**Option 1: Using Wood Screws**

Install screws and washers through the holes in the canopy bracket. Tighten screws until they are secure against the ceiling.

**Option 2: Using Sheetrock Anchors**

Install sheetrock anchors through the holes in the canopy bracket. Tighten anchors until they are secure against the ceiling.



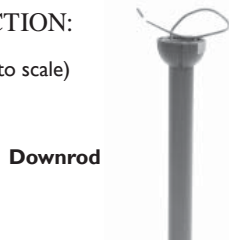
## INSTALLING CANOPY COVER

PARTS NEEDED FOR THIS SECTION:

**CANOPY COVER HARDWARE** (not to scale)



#8-32 x 1/4" Screws



Downrod



Support Ring



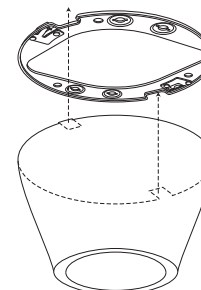
Downrod Cover



Canopy Cover

**Step 3a.** Slide the hanging bracket support ring on to the downrod. Then, slide the downrod cover over the downrod. The base of the downrod should sit securely on the rubber gasket inside the downrod cover.

**Step 3b.** Place the downrod (with the downrod cover attached) inside the canopy cover. The edge of the downrod cover should sit securely on the rubber gasket inside the canopy cover.



## INSTALLING DOWNROD

**Step 4a.** Unscrew and remove both pieces of the control housing cover. Set the control housing cover and six screws aside. You will re-install the control housing cover in Step 4e.

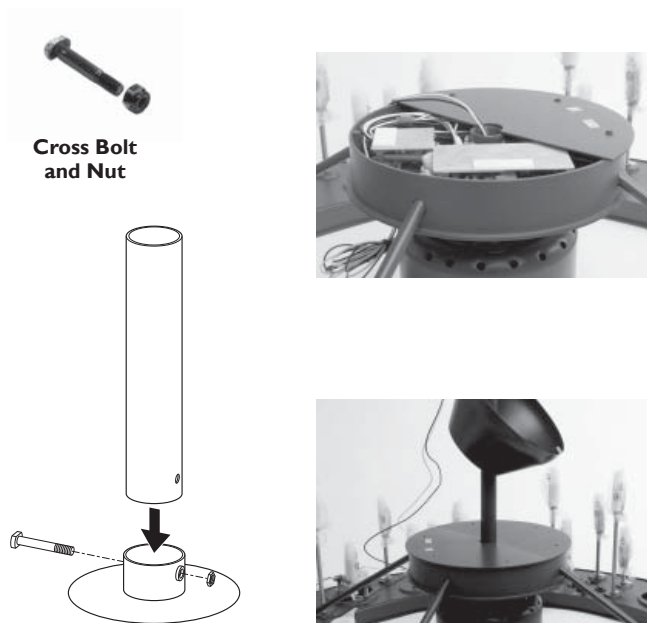
**Step 4b.** Unscrew and remove cross bolt and nut from downrod adapter tube in center of control housing.

**Step 4c.** Thread black, white, and green wires up through downrod, tightening to the base of the downrod adapter tube in the control housing structure.

**Step 4d.** Slide downrod into downrod adapter tube making sure no wires are pinched. Place your thumb on the end of the cross-bolt. Insert the cross-bolt until its flat end is flush with the downrod adaptor tube. Re-attach the nut, and tighten firmly with 7/16" wrench.

**NOTE:** Be careful not to cut or pinch the wires when inserting the cross-bolt.

**Step 4e.** Use the parts you set aside in Step 4a to replace the control housing cover and screw it back into place.



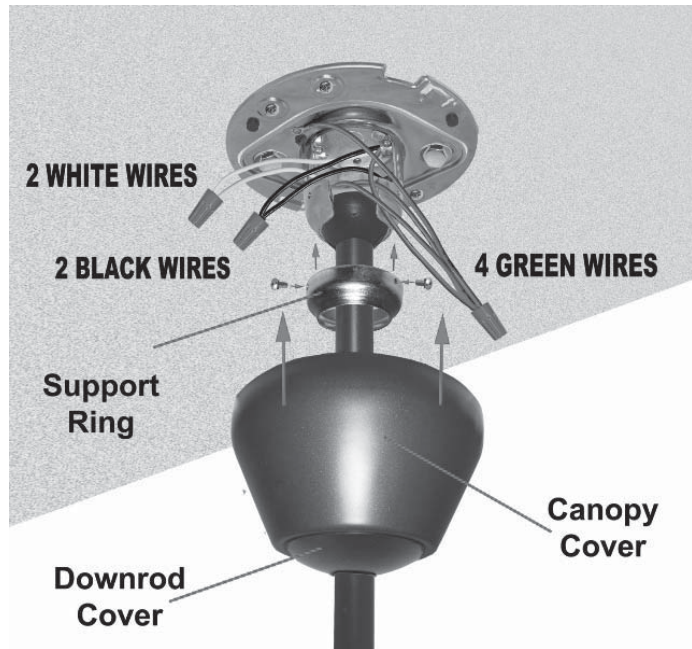
## HANGING THE FAN

**NOTE:** You will need at least two assistants for this step.

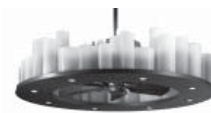
**Step 5a.** Have your assistant(s) help you lift the Candelier fixture to the ceiling.

**Step 5b.** Insert the downrod ball into opening in the crossbar hanging bracket.

**Step 5c.** Slide the hanging bracket support ring up the hanging bracket, and screw it into place using the three #8-32 x 1/4" screws.





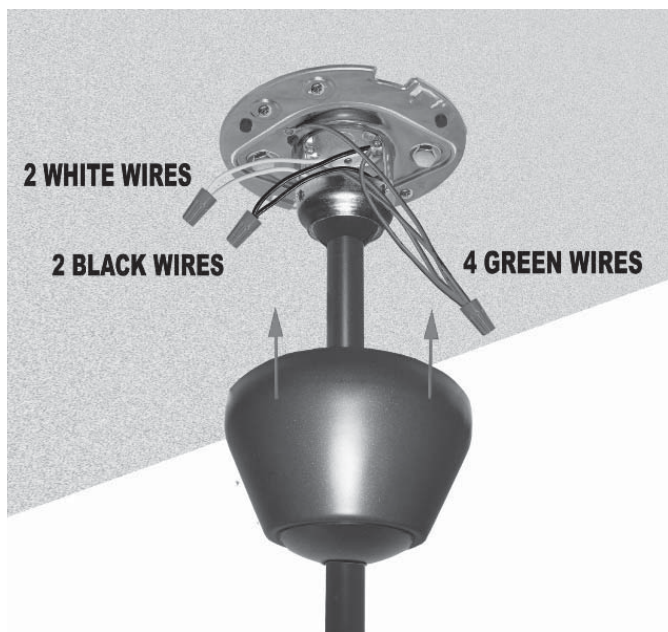


## CANOPY ELECTRICAL CONNECTIONS

**Step 6a.** Attach the fan wires (coming from the downrod) to the ceiling fixture outlet box wiring by placing the bare ends of the wires side by side and then securing with a wire nut. Test that the connection is secure by pulling on the wire nut. Connect in this order:

- **GREEN** wire leads from mounting plate and downrod assembly of fan to **GROUND** conductor of power source. Secure with a wire nut.
- **WHITE** wire from fan connects to white **NEUTRAL** wire in ceiling fixture outlet box. Secure with wire nut.
- **BLACK** power wire from fan connects to **BLACK** power wire in ceiling outlet box. Secure with wire nut.

After making the wire connections, the wires should be spread apart with the grounded conductor and the equipment-grounding conductor on one side of the outlet box and the ungrounded conductor on the other side of the outlet box.



**NOTE:** If your ceiling wires are different from those described above, consult an electrician.

**Step 6b.** After connecting wiring, slide the canopy cover up and into place. Make sure the canopy cover tabs are properly aligned with the canopy bracket and securely locked into place.

## FAN BLADE INSTALLATION

PARTS NEEDED FOR THIS SECTION:

**FAN BLADE HARDWARE** (not to scale)



Fan Blades



Blade Screws



Washers



Motor End Cap

**Step 7a.** Unscrew the bottom cover fitter plate and set the cover and screws aside. You will reinstall them in Step 7c.

**Step 7b.** Make sure that the label “THIS SIDE UP” is not visible when the blades are installed. Please note the label is installed on the actual fan blades. Insert the first fan blade into one of the slanted opening beneath the control housing. Secure the blade with black blade screws and washers (3 screws and washers per blade). Repeat this process until all three blades are installed.

**Step 7c.** Re-attach the bottom cover fitter plate, using the screws you set aside in Step 7a. Secure the motor end cap by twisting it into place.



## HALOGEN BULB INSTALLATION

**Step 8a.** To install or replace the halogen bulbs, first remove the bulb covers.

- Loosen the round knurled nuts.
- Slide out the plastic halogen bulb covers (both covers are the same part; they fit together).

**Step 8b.** Carefully remove halogen bulbs from packaging. There are 8 halogen bulbs provided.

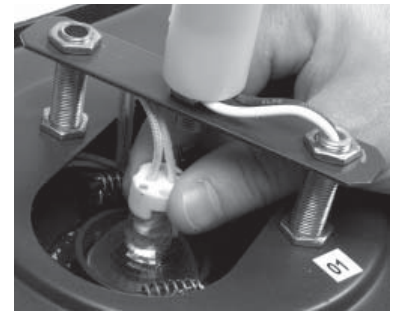
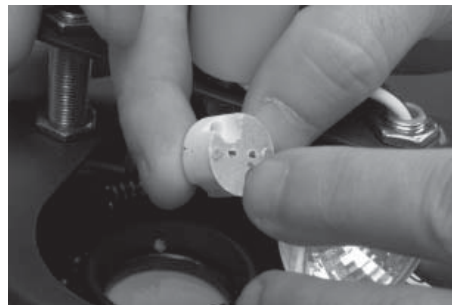
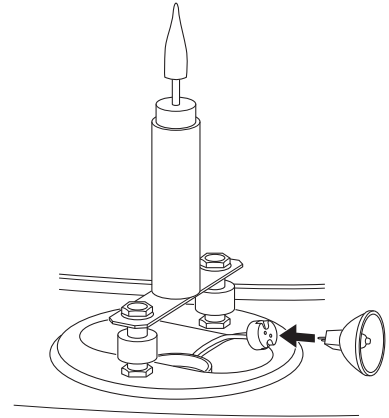
**Step 8c.** Locate the halogen sockets inside the wiring cavities. Plug each halogen bulb into a socket, as shown.

**Step 8d.** Hold the halogen bulb carefully by the socket. Press the bulb into the bulb casing with gentle pressure.

**Step 8e.** Reverse instructions in Step 8a to re-install the halogen bulb covers.



Halogen Bulb



## REMOVING FLICKER BULBS FROM PACKAGING

**NOTE:** The Candelier flicker bulbs are extremely fragile, and should be handled with care.

**Step 9a.** Remove any remaining packaging material from the Candelier fixture. Carefully unwrap the plastic packaging from the cardboard case of bulbs. Keep the case on a hard surface, for stability.

**Step 9b.** Remove each bulb carefully, handling it by the white plastic base, as shown. There are 53 bulbs provided. (Five bulbs are “extra”.)

**Step 9c.** With the Candelier hanging from the ceiling, install the flicker bulbs. Beginning with the inner row in the circle, and moving out in a circular pattern, screw individual flicker bulbs into each socket carefully. Do not bump bulbs together or brush against them, as it may damage the fragile nature of the wiring system. Use extreme caution when handling flicker bulbs.



Flicker Bulbs



Flicker Bulb  
(installed)



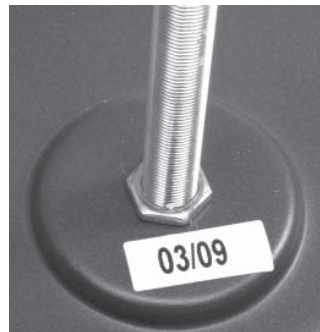


## CANDLE INSTALLATION

**WARNING:** Use caution when installing candles. Flicker bulbs are extremely fragile.

**Step 10a.** Carefully remove candles from packaging materials. There will be 48 candles, of varying colors and sizes.

**Step 10b.** Note the number on the bottom of each candle. This number will correspond to a numbered socket where the candle belongs on the Candelier fixture. Candles and sockets are numbered for the width and height of each candle. The colors will vary. Carefully lower each candle over the bulb, letting it rest securely on the metal surface. Repeat this process until all candles have been placed on the Candelier fixture.



**NOTE:** The five spare flicker bulbs are contained in a small box labeled “Extra Bulbs.” Casablanca will replace up to five additional flicker bulbs, if necessary. Do not throw away the Extra Bulbs box. To request replacement flicker bulbs, fill out the Flicker Bulb Replacement Request card, place five burned-out bulbs and the card in the Extra Bulbs box, and seal the box. Apply the “Business Reply Label” to the top of the box and put it in the mail. (Both the Flicker Bulb Replacement Request card and Business Reply Label can be found in your Owner’s Manual packet.) Casablanca will ship the replacement bulbs to you at no charge.



**CASABLANCA**  
FAN COMPANY

**Flicker Bulb Replacement Request Card**

When you have used the five extra flicker bulbs included with your Candelier fan, Casablanca will provide five additional spares at no charge. Simply complete this card, place it in the Extra Bulbs box with five burned-out flicker bulbs, seal the box, apply the pre-paid Business Reply Label to the top, and mail the package.

Candelier Model Number C16G73T Serial Number \_\_\_\_\_  
(can be found on fan or inside front cover of Owner's Manual)

Customer Name \_\_\_\_\_

Shipping Address (not a PO Box) \_\_\_\_\_

City \_\_\_\_\_ State \_\_\_\_\_ Zip Code \_\_\_\_\_

Phone number \_\_\_\_\_ E-mail address \_\_\_\_\_

Offer limited to five additional spare flicker bulbs per Candelier fan.

**BUSINESS REPLY LABEL**  
FIRST-CLASS MAIL PERMIT NO. 222 POMONA, CA

POSTAGE WILL BE PAID BY ADDRESSEE

**CASABLANCA FAN COMPANY**  
PO BOX 2367  
POMONA CA 91769-9907

NO POSTAGE  
NECESSARY  
IF MAILED  
IN THE  
UNITED STATES



## INTELI•TOUCH™ CONTROL INSTALLATION

### INSTALLING THE W-32 WALL CONTROL

The wall control installs in the same manner as an ordinary light switch, using an existing wall box and wiring. This controller is designed to signal the fan microcomputer as well as perform normal switching operations. For this reason the following precautions must be observed:

1. Use only the Casablanca W-32 wall control.
2. Do not use any additional control with your Inteli-Touch fan (for example, dimmer, fan speed control, etc.).
3. Do not use more than one fan per wall control.
4. No other light fixtures or electrical appliances may be connected on the circuit controlled by the W-32 wall control.

### INTELI•TOUCH™ SINGLE W-32 INSTALLATION

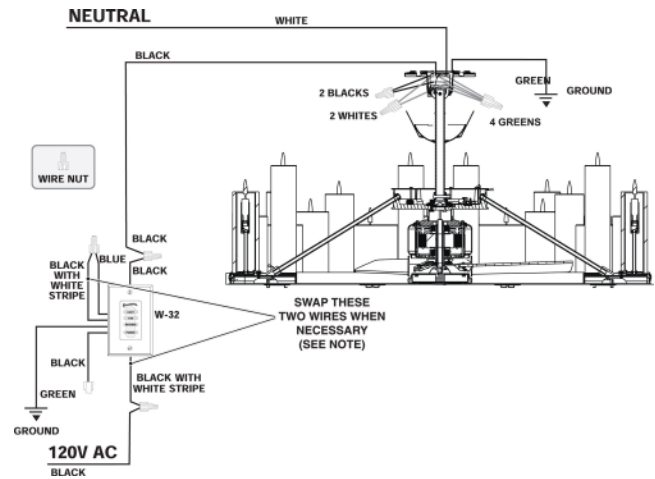
#### CAUTION!

Ensure power is turned OFF at the breaker or fuse panel before starting installation.

W-32 is used to describe either white (-11) or ivory finish.

1. Remove the screws and switch plate from the existing switch box.
2. Remove the screws holding the switch in the switch box.
3. Pull the existing switch from the switch box to expose the wire connections.
4. Remove the two wires from the switch.
5. Connect the two wires just removed from the switch to the W-32 wall control black wire and black/white stripe wire. Secure these connections with wire nuts.
6. Connect the green ground wire coming from the back of the W-32 control to the ground wire in the switch box. Secure the splice with wire nut.
7. Install the W-32 in the wall box with the two long screws provided.
8. Install the wall plate with the two color matched screws.

NOTE: If wall control operation is reversed (fan switch controls lights and light switch controls fan) turnoff the power at the breaker or fuse panel, then swap the two W-32 black/white stripe wires.



### INTELI•TOUCH™ DUAL W-32 INSTALLATION

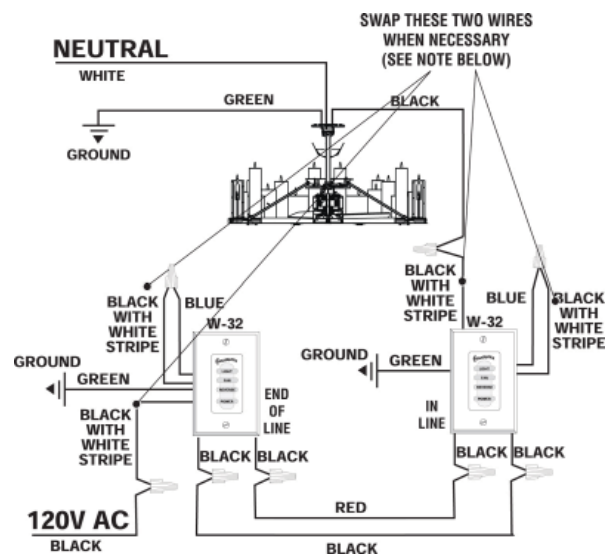
#### CAUTION!

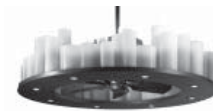
Ensure power is turned OFF at the breaker or fuse panel before starting installation.

To control the fan and lights from two locations (a three-way circuit), use 2 W-32 wall controls.

1. Remove the screws and switch plate from the existing switch box and the screws holding the switch in the switch box.
2. Pull the existing switch from the switch box to expose the wire connections.
3. Determine which wire is connected to the common terminal of the 3-way switch. (The terminal will be marked on switch).
4. Remove the wire from the common terminal of the 3-way switch. Connect this wire to the remaining black/white striped wire on the W-32 control. Secure this splice with a wire nut.
5. Remove the two remaining wires from the 3-way switch. Connect one of these wires to a black wire on the W-32 control. Secure the splice with a wire nut. The remaining wire is to be connected to the other black wire on the W-32. Secure the splice with a wire nut.
6. Connect the green ground wire coming from the back of the W-32 control to the ground wire in the switch box. Secure the splice with a wire nut.
7. Install the W-32 in the wall box with the two long screws provided.
8. Install the wall plate with the two short color-matched screws provided.
9. Installation of the second W-32 control is identical. Repeat steps 1 through 7.

NOTE: If wall control operation is reversed (fan switch controls lights and light switch controls fan) turn off the power at the breaker or fuse panel, then swap the two W-32 black/white stripe wires.





**POWER**

The POWER button is normally left in the on position. Always turn the power off during cleaning or servicing the fan and during thunderstorms. It is also used to exit or enter additional programs.

*POWER must be left on to retain a previously set fan speed.*



**SPEED CONTROL**

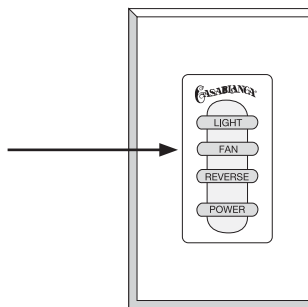
There are four individual speed settings for the fan; each speed is indicated by an audible tone of increasing pitch.

To select the desired fan speed:

1. With fan off, press and hold the button labeled FAN. The fan blades will start rotating at the slowest speed, and will increase in steps
2. Release the button when the desired speed is reached.

The fan speed is now in memory and will automatically come on at the same speed each time the FAN button is used. To maintain this level of speed, turn the fan on by pressing FAN less than one second. To lower speed, turn fan off, then by pressing and holding the FAN button until the desired speed is reached. When the fan is on, you may increase the speed by pressing and holding the FAN button until the desired speed is reached, then release it.

**FAN CONTROL**  
**ON - OFF**  
**A momentary press of the FAN button**  
**TO CHANGE SPEED**  
**Press and hold FAN button longer than one second**



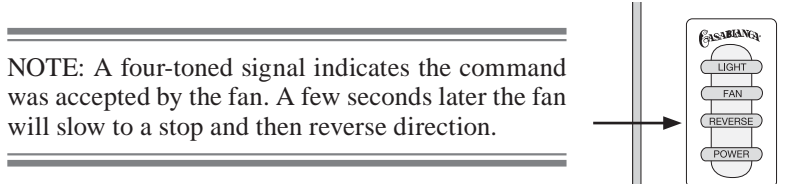
**REVERSING AIRFLOW**

The direction of airflow can be changed from downward to upward or from upward to downward.

To reverse the airflow:

1. Make sure the FAN is on.
2. Press the REVERSE button.

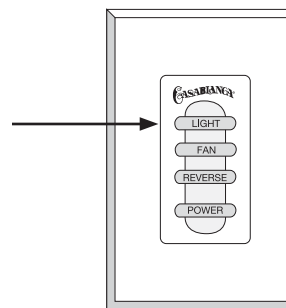
**NOTE:** A four-toned signal indicates the command was accepted by the fan. A few seconds later the fan will slow to a stop and then reverse direction.



**LIGHT**

To turn the lights off and on, press and release the LIGHT button for less than one second.

**LIGHT CONTROL**  
**ON - OFF**  
**A momentary press of the LIGHT button**



## CARE RECOMMENDATIONS

### Fan Finishes

- For cleaning, a soft brush or lint-free cloth should be used to prevent scratching the finish.
- Surface smudges or an accumulation of dirt and dust can be removed easily using a mild detergent and slightly dampened soft cloth. An antistatic agent may be used (on the fan base and blades only), but never use abrasive cleaning agents as these will damage the finish.

### Candles

NOTE: Remove candles from the Candelier fixture to clean them. Replace candles carefully!

- Clean the Candelier candles with lukewarm water and mild soap. Do not use abrasive cleaning agents.

### Blades

- Wood-finish blades should be cleaned with a furniture polishing cloth. Occasionally, a light coat of furniture polish may be applied for added protection and beauty.
- For painted and high-gloss blades, surface smudges or an accumulation of dirt and dust can be removed easily using a mild detergent and slightly dampened soft cloth. An antistatic agent may be used, but never use abrasive cleaning agents as these will damage the finish.

### No Need for Lubrication

- Never lubricate this fan! The precision motor at the heart of your Casablanca fan features sealed bearings that are lubricated for life.
- Do not attempt to oil the motor.

### Changing Lightbulbs

- Be sure to turn the power to OFF at the wall switch or circuit breaker before changing lightbulbs.
- Replace bulbs with the same type as you removed from the light fixture.
- Use only the approved flicker lightbulbs for the candles in your Candelier fixture. Contact your Casablanca representative to order replacement bulbs.
- Use only the recommended halogen lightbulbs for the downlights in your Candelier fixture.



## TROUBLESHOOTING TIPS

Please refer to this troubleshooting guide before requesting service or contacting your dealer for assistance.

<b>PROBLEM</b>	<b>POSSIBLE REMEDIES</b>
Fan will not start	<ul style="list-style-type: none"> <li>• Check the main circuit fuses, circuit breakers, and wall switch position. Check all wire connections. Make sure the power is turned off during this inspection.</li> <li>• The fan receiver is defective. Replace the fan receiver.</li> <li>• Check the frequency setting: Turn the power off at the circuit breaker for the fan that is not functioning only. Check that the jumper switches match in both the receiver and the transmitter.</li> </ul>
Fan wobbles or shakes excessively	<ul style="list-style-type: none"> <li>• Be sure the canopy pin is set properly into the slot on the ball.</li> <li>• The hanger bracket is attached too loosely. Make sure the hanger bracket is attached tightly to the ceiling and the downrod assembly is secured firmly.</li> <li>• The downrod is attached to the downrod base too loosely. Make sure all the screws are securely tightened.</li> </ul>
Fan is noisy during operation	<ul style="list-style-type: none"> <li>• Tighten the canopy screws and mounting plate assembly. Make sure the wire nuts inside the canopy and switch housing are not touching the metal parts and that they have not fallen off the wire splices. Tighten as necessary.</li> <li>• Tighten the blade holders to the flywheel (or direct drive motor) and the blades to the bladeholder screws.</li> <li>• Make sure all the screws in the motor housing are snug but not overly tight.</li> </ul>
Fan does not run on low speed	<ul style="list-style-type: none"> <li>• If fan is new, it may need to be “broken in.” Run at high speed for several days.</li> </ul>



## PRODUCT SPECIFICATIONS

Model name: Candelier™  
 Model number: C16GxxT

**Dimensions:**

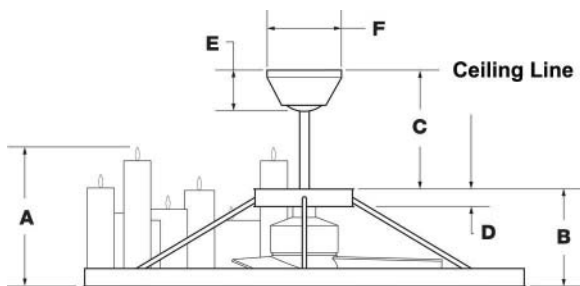
- A = 15.44"
- B = 10.93"
- C = 13.44" as sold "/ 117.91" with accessory downrod
- D = 2.07"
- E = 4.82"
- F = 8.00"

Light fixture diameter = 48"  
 Weight: approximately 150 lbs.

Motor: XLP-Plus®  
 Blade span: 30"  
 Blade iron pitch: 20°  
 No. of blades: 3  
 Technology: Intelli•Touch  
 Ceiling height: 9' minimum

**Lighting**

- Uplights: 48, 3-watt flickering bulbs, non-dimming
- Candles: 48, wax candles, in variable heights and colors ranging from ivory to honey
- Downlights: 8, 20-watt (MR11) halogen bulbs, operated on a separate circuit, non-dimming



**For questions or to locate the nearest Casablanca Authorized Service Center call toll free: 1-888-227-2178 or visit us on the Web at: [www.casablancafanco.com](http://www.casablancafanco.com)**

This device complies with Part 15 of the FCC rules. Operation is subject to the following two conditions:

1. This device may not cause harmful interference.
2. This device must accept any interference received, including interference that may cause undesired operation.

This equipment has been tested and found to comply with the limits for a class B digital device, pursuant to Part 15 of the FCC rules. These limits are designed to provide reasonable protection against harmful interference in a residential installation. This equipment generates, uses, and can radiate radio frequency energy and, if not installed and used in accordance with the instructions, may cause harmful interference to radio communication. However, there is no guarantee that the interference will not occur in a particular installation. If this equipment does cause harmful interference to radio or television reception, which can be determined by turning the equipment off and on, the user is encouraged to try to correct the interference by one or more of the following measures:

- Reorient or relocate the receiving antenna.
- Increase the separation between the equipment and receiver.
- Connect the equipment into an outlet on a circuit different from that to which the receiver is connected.
- Consult the dealer or an experienced radio/TV technician for help.

---

NOTE: Any changes or modifications to the transmitter or receiver not expressly approved by Casablanca Fan Company may void one's authority to operate this remote control.

---



## AUTHORIZED SERVICE CENTERS

For the most updated listing of casablanca authorized service centers, visit [www.casablancafanco.com/servicecenters](http://www.casablancafanco.com/servicecenters) or call toll-free **1-888-227-2178**.

STATE/CITY	ZIP	SERVICE CENTER NAME	PHONE	TYPE
<b>ALABAMA</b>				
MOBILE	36618	AZALEA CITY SERVICE CTR.	251-341-0663	FFS
TUSCALOOSA	35405	LIGHTING PLUS	205-345-8900	FFS
<b>ALASKA</b>				
ANCHORAGE	99518	BERING SEA ECCOTECH	907-227-3171	FFS
<b>ARIZONA</b>				
GREEN VALLEY	85614	GOBLE ELECTRIC	520-625-4938	IHO
MESA	85204	GALLERY OF FANS	480-962-0477	FFS
PHOENIX	85016	THE FAN DOCTOR	602-274-6649	IHO
PHOENIX	85019	FANTASTIC ELECTRIC	602-866-1090	IHO
PHOENIX	85032	BRASSWINDS FAN DOCTOR	602-482-1881	FFS
PRESCOTT	86305	MARC PARENT	928-778-5935	IHO
SCOTTSDALE	85254	VANDERVOORT ELECTRIC	602-996-9637	IHO
SEDONA	86336	OAK CREEK AUDIO	928-282-5625	FFS
TUCSON	85711	SUN LIGHTING COMPANY	520-322-4303	WTS
TUCSON	85716	ILLUMINATIONS	520-325-3031	WTS
TUCSON	85735	DESERT BREEZE FAN & ELEC.	520-623-4646	IHO
YUMA	85364	CURLEYS LITEHOUSE	928-783-6931	FFS
<b>ARKANSAS</b>				
LITTLE ROCK	72212	THE RANDY HALL CO INC	501-227-9915	IHO
<b>CALIFORNIA</b>				
ALHAMBRA	91801	FANTASTIC FAN SERVICE	800-800-3871	IHO
AUBURN	95603	THE FAN DOCTOR	530-823-8768	IHO
BAKERSFIELD	93306	HILLCREST LIGHTING	661-324-0649	FFS
BAKERSFIELD	93309	RB ELECTRIC & LTG.	661-831-2438	IHO
BREA	92622	FANTASTIC FAN SERVICE	800-800-3871	IHO
BURBANK	91523	FANTASTIC FAN SERVICE	800-800-3871	IHO
CARSON	90746	FANTASTIC FAN SERVICE	800-800-3871	IHO
CATHEDRAL CITY	92234	R & R SERVICE	760-324-2942	IHO
CHICO	95928	J & J LIGHTING	530-342-1815	ISO
CHULA VISTA	91912	RD ELECTRICAL CONT.	760-727-1215	IHO
CLOVIS	93612	OMEGA SERVICES INC.	559-299-0495	ISO
FRESNO	93704	LARRY MCCOLLUM	559-438-5764	IHO
FRESNO	93711	JAMES & CO. LIGHTING	559-486-7900	S2W
GLENDALE	91208	FANTASTIC FAN SERVICE	800-800-3871	IHO
GRASS VALLEY	95945	ACCENT LIGHTING	530-477-5483	ISO
HUNTINGTON BEACH	92647	THE TRADING POST	714-848-4353	FFS
LONG BEACH	90815	FANTASTIC FAN SERVICE	800-800-3871	IHO
LOS ALAMITOS	90720	JABEN HOLDINGS	562-594-1249	ISO
LOS ANGELES	90019	FANTASTIC FAN SERVICE	800-800-3871	IHO
LOS OSOS	93402	SELECT ELECTRIC	805-528-5825	FFS
MANTECA	95336	MANTECA LIGHTING	209-823-1999	ISO
MISSION VIEJO	92691	MOORE'S SEW, VAC. & FAN	949-580-2520	S2W
MODESTO	95350	PHILLIPS LIGHTING & HOME	209-524-6287	WTS
MURRIETA	92562	FANDIEGO	951-600-7867	ISW
NEWHALL (SANTA CLARITA)	91321	DAN MARTIN	661-252-5769	IHO
OAKLAND	94602	BONIFACIO HANDYMAN SERVICES	510-917-0638	IHO
ORANGE	92664	FANTASTIC FAN SERVICE	800-800-3871	IHO
OXNARD	93030	FANTASTIC FAN SERVICE	800-800-3871	IHO
PITTSBURG	94565	SECURITY ELECTRIC SOLUTIONS	925-487-8197	IHO
POMONA	91768	FANTASTIC FAN SERVICE	800-800-3871	IHO
RANCHO CUCAMONGA	91730	FANTASTIC FAN SERVICE	800-800-3871	IHO
RANCHO MIRAGE	92270	FANDIEGO	760-779-9916	ISO
RIVERSIDE	92505	VERNE SMITH	951-687-9552	IHO
ROSEVILLE	95678	THE FAN DOCTOR	530-823-8768	IHO
SACRAMENTO	95819	A & A LIGHT FIXTURES	916-452-7641	ISO
SACRAMENTO	95821	ENERGY SOLUTIONS	888-410-3189	IHO
SACRAMENTO	95821	SECURITY ELECTRIC SOLUTIONS	925-487-8197	IHO
SAN DIEGO	92111	FANDIEGO	858-292-9244	ISO
SAN DIEGO	92126	RD ELECTRICAL CONT.	760-727-1215	IHO
SAN FERNANDO	91340	FANTASTIC FAN SERVICE	800-800-3871	IHO
SAN FRANCISCO	94109	HOUSE OF FANS INC.	415-885-1947	ISO
SAN JOSE	95123	SAL ZAMORA'S FAN REPAIR	510-742-5560	IHO
SAN MARCOS	92069	FANDIEGO	760-743-3267	ISO
SAN MARCOS	92069	RD ELECTRICAL CONT.	760-727-1215	IHO
SAN RAFAEL	94901	RAFFLES FANS	415-456-6660	ISO
SANTA MARIA	93455	EVER-READY ELECTRIC	805-934-7091	FFS
SANTA MONICA	90405	FANTASTIC FAN SERVICE	800-800-3871	IHO
SANTA ROSA	95404	ASEF'S APPL. & ELEC. SVC.	707-575-3737	FFS
SAUGUS	91350	VALLEY BREEZE FAN CO	800-339-3267	WTS
SCOTT'S VALLEY	95066	FISHER ELECTRIC INC.	831-430-9694	IHO
SHINGLE SPRINGS	95682	JOHN ROZOWSKI CONST.	530-677-3850	IHO
SIMI VALLEY	93065	FANTASTIC FAN SERVICE	800-800-3871	IHO
SOUTH LAKE TAHOE	96150	TAHOE POOL SERVICE	530-541-4958	FFS
TARZANA	91356	HYE LIGHTING CO	818-345-5544	S2W

STATE/CITY	ZIP	SERVICE CENTER NAME	PHONE	TYPE
<b>CALIFORNIA (CONT'D)</b>				
TEMECULA	92592	TAB ELECTRIC	951-303-0850	IHO
THOUSAND OAKS	91360	FANTASTIC FAN SERVICE	800-800-3871	IHO
TULARE	93274	ANCHOR LIGHTING	559-688-0696	WTS
VALENCIA	91354	FANTASTIC FAN SERVICE	800-800-3871	IHO
VAN NUYS	91406	FANTASTIC FAN SERVICE	800-800-3871	IHO
<b>COLORADO</b>				
BOULDER	80306	ENERGETICTECH	303-684-7543	FFS
COLORADO SPRINGS	80903	HOME LIGHTING	719-471-3520	WTS
DENVER	80229	M.D ELECTRIC	303-288-7988	FFS
FORT COLLINS	80525	LIGHT CENTER	970-226-3430	WTS
LONGMONT	80503	ENERGETICTECH	303-684-7543	FFS
<b>CONNECTICUT</b>				
BRIDGEPORT	06605	FEDERAL ELECT. CONST. CO.	203-334-6455	FFS
CLINTON	06413	GRAHAM CO.	800-942-5575	IHO
EAST HARTFORD	06118	GRAHAM CO.	800-942-5575	IHO
GREENWICH	06830	FASHION LIGHT CENTER	800-869-3098	S2W
HARTFORD	06114	CONNECTICUT LTG. CENTER	860-249-7631	ISO
LEDYARD	06339	HESPELER ELECTRICAL CONTR.	860-464-8489	FFS
NEW HARTFORD	06057	B.W. MORSE & SONS INC.	860-379-9855	IHO
NEW HAVEN	06511	GRAHAM CO.	800-942-5575	IHO
NEW HAVEN	06511	NEW GRAND LIGHT	203-777-5781	ISO
WILLINGTON	06279	GEORGE OPALENIK	860-684-4558	IHO
WOODSTOCK	06281	RANDY MATTEAU	860-942-4338	IHO
<b>DELAWARE</b>				
DELMAR	19940	BRUCE DRAJEM	302-734-7737	IHO
DOVER	19901	BRUCE DRAJEM	302-734-7737	IHO
LEWES	19958	BRUCE DRAJEM	302-734-7737	IHO
NEW CASTLE	19720	ERIC SHURR	302-998-5147	IHO
WILMINGTON	19809	CHIEFFO ELECTRIC INC.	302-764-5000	IHO
<b>DISTRICT OF COLUMBIA</b>				
WASHINGTON, DC	20016	FAN FAIR	202-686-8686	ISO
<b>FLORIDA</b>				
BOCA RATON	33433	C M S	561-736-0170	IHO
BOCA RATON	33433	MARTIN CARTER	561-756-4739	IHO
BONITA SPRINGS	34135	GOODWIN ELECTRIC	239-649-8880	IHO
BOYNTON BEACH	33437	C M S	561-736-0170	IHO
CORAL GABLES	33134	MICHAEL HANSEN	305-444-4111	FFS
DAVIE	33330	LASERLAND INC.	954-558-3743	IHO
GAINESVILLE	32608	AUTHORIZED APPLIANCE	352-375-3886	ISO
LEHIGH ACRES	33971	JTE ELECTRIC	239-368-9511	IHO
MAITLAND	32751	HENRY ELECTRIC CO.	407-834-4032	ISO
NAPLES	34109	WILSON FANS & LIGHTING	239-592-6006	S2W
NAPLES	34112	KING DOME ELECTRIC MAINT. REP.	239-793-5146	IHS
NOKOMIS	34275	GRAHAM ELECTRIC CONT.	941-486-8190	IHO
PORT CHARLOTTE	33952	JACKSONS LIGHTING	941-625-0044	WTS
PUNTA GORDA	33982	SELECT SVC. & REPAIR	941-637-7850	IHO
SOUTH DAYTONA	32119	BOB'S FIX-IT	386-761-4055	FFS
SPRING HILL	34606	FAN DOCTOR	352-683-4428	IHO
TALLAHASSEE	32303	JIM LACZKO	850-562-4661	IHO
TARPOON SPRINGS	34689	PETER LONTAKOS	727-938-8895	IHO
WINTER HAVEN	33880	ALL ABOUT FANS	863-299-9593	FFS
<b>GEORGIA</b>				
CANTON	30114	I CAN FIX IT 4 U	678-493-0150	IHO
GRAYSON	30017	RG TENNEY ELECTRIC	770-378-9255	IHO
<b>HAWAII</b>				
AIEA	96701	FAN SHOP INC.	808-488-1221	WTS
HILO	96720	BAY LIGHTING & DESIGN	808-961-5688	FFS
KAILUA-KONA	96740	KONA COAST HOUSE OF LIGHTS	808-329-0748	FFS
KAULUA KONA	96740	KU'S ELECTRONIC SVC.	808-329-4346	IHO
<b>IDAHO</b>				
IDAHO FALLS	83402	HOME LIGHTING	208-523-2300	FFS
<b>ILLINOIS</b>				
CENTRALIA	62801	BAKER APPLIANCE REPAIR	618-532-8437	FFS
CHAMPAIGN	61821	REMCO ELECTRICAL	217-356-6999	FFS
CHAMPAIGN	61821	TERRY GOBBLE	217-384-5891	ISO
CHICAGO	60630	D & S FAN SPECIALIST	847-824-2430	IHO
CORNLAND	62519	DELMAR VEECH	217-364-4124	IHO
FRANKFORT	60423	KKA SERVICES	815-464-6714	IHO
MOKENA	60448	KKA SERVICES	815-464-6714	IHO
NORMAL	61761	KIRK SMALL APPLIANCE	309-452-5248	ISO
PRINCETON	61356	ELMORE ELECTRIC INC.	815-643-2354	IHO
QUINCY	62305	HEINTZ LIGHTING CENTER	217-223-0101	FFS

STATE/CITY	ZIP	SERVICE CENTER NAME	PHONE	TYPE
<b>ILLINOIS (CONT'D)</b>				
SMITHTON	62285	JOHN HASENSTAB	618-236-3018	IHO
TRENTON	62293	LIGHT BRITE DISTRIBUTING	618-224-7314	FFS
URBANA	61801	TERRY GOBBLE	217-384-5891	ISO
WEST CHICAGO	60185	TMR ELECTRIC INC.	630-231-2848	IHO
YORKVILLE	60560	UNIFIED SUPPLY, INC.	630-553-0660	FFS
<b>INDIANA</b>				
EVANSVILLE	47711	MICHAEL BAXTER	812-453-6498	IHO
FORT WAYNE	46805	CARL SMITH	260-484-7295	IHO
GREENFIELD	46140	D & D REPAIR	317-467-0600	IHO
INDIANAPOLIS	46222	INDIANA LIGHTING CENTER	317-293-9333	ISO
VALPARAISO	46383	D & K ELECTRIC	219-464-7576	IHO
<b>IOWA</b>				
CARROLL	51401	J & L ELECTRIC INC.	712-792-2444	ISO
CEDAR RAPIDS	52404	ACME ELECTRIC COMPANY	319-365-8677	FFS
CORALVILLE	52241	RALSTON CREEK	319-351-2189	S2W
DAVENPORT	52803	SHAW ELECTRIC	563-323-3611	FFS
DES MOINES	50311	ADVANCED LIGHTING	515-255-5009	WTS
SIOUX CITY	51106	DIVERSIFIED ELECTRONICS	712-276-1034	IHO
<b>KANSAS</b>				
EMPORIA	66801	C.A.P.	620-342-0448	IHS
LENEXA	66215	RENSON HOUSE OF LIGHTS	913-888-0888	ISO
MANHATTAN	66502	ENDACOTT LIGHTING	785-776-4472	ISO
OVERLAND PARK	66210	RANDY RUSSELL	913-338-5330	IHO
OVERLAND PARK	66212	WILSON FANS & LIGHTING	913-642-1500	FFS
OVERLAND PARK	66213	KAL ELECTRIC	913-897-6767	IHO
OVERLAND PARK	66223	WESTERN CHANDELIER CO.	913-685-2000	FFS
SALINA	67401	SALINA APPLIANCE SHOWROOM	785-827-1420	FFS
WICHITA	67208	ACCENT LIGHTING	316-636-1278	FFS
<b>KENTUCKY</b>				
LOUISVILLE	40205	ALCOTT & BENTLEY	502-454-8938	FFS
<b>LOUISIANA</b>				
BATON ROUGE	70815	TOTAL HOME SERVICE INC.	225-272-7725	ISO
HOUMA	70363	GULF SOUTH ARMATURE INC.	985-872-0486	FFS
LAKE CHARLES	70601	JOSEPHS ELECTRICAL CENTER	337-436-4930	FFS
METAIRIE	70006	ROMAINE'S	504-887-7077	FFS
NEW IBERIA	70560	WALET'S INC.	337-364-7486	ISO
<b>MAINE</b>				
BANGOR	04401	HOME DESIGN CENTER	207-992-2515	FFS
SOUTH PORTLAND	04106	T.A. NAPOLITANO INC.	207-799-0538	FFS
<b>MARYLAND</b>				
ANNAPOLIS	21401	GL FAN SERVICE	301-831-4925	IHO
FREDERICK	21704	GL FAN SERVICE	301-831-4925	IHS
WHITE HALL	21161	BT ELECTRIC	410-329-6353	IHO
<b>MASSACHUSETTS</b>				
BELMONT	02478	H.O ELECTRIC	617-489-6324	IHS
BRIDGEWATER	02324	BILTCLIFFE ELECTRIC	508-697-7630	ISO
DANVERS	01923	PLAZA LIGHTING	978-774-7801	ISO
DENNIS	02638	RICK SEXTON	508-385-7536	IHO
NATICK	01760	J.G. ELECTRIC CO. INC.	508-653-3042	ISO
NEW BEDFORD	02740	VANDER ELECTRIC & EQUIP.	508-993-6383	ISO
ORLEANS	02653	ASSOCIATED ELECTRICAL	508-255-4589	ISO
SOUTH ATTLEBORO	02703	A J ELECTRIC	508-761-5021	IHO
WEST SPRINGFIELD	01089	JALBERT ELECTRIC	413-734-4976	IHO
WORCESTER	01603	EDWARD A. TORTORA	508-755-3735	IHO
<b>MICHIGAN</b>				
BELLEVILLE	48111	MIKE AYERST	734-699-9698	IHO
BIRMINGHAM	48009	21ST CENTURY ELECTRIC	248-645-6464	FFS
GRAND RAPIDS	49512	GRAND RAPIDS LTG. CTR.	616-949-4931	S2W
GRAND RAPIDS	49546	INDOOR CLIMATE SOLUTIONS	616-891-4328	IHO
HOWELL	48855	LIGHTNING ELEC.INC	810-227-3375	FFS
LANSING	48906	INTEGRITY ELECTRIC INC.	517-484-0300	IHO
LANSING	48917	LARGENT ENTERPRISES	517-327-6161	FFS
PORTAGE	49024	HODGSON LIGHT & LOG	800-451-0860	WTS
TRAVERSE CITY	49686	LIGHTING & FAN SVC.	231-938-1332	FFS
WARREN	48088	ZUBE CONSTRUCTION LLC	586-574-0701	IHO
<b>MINNESOTA</b>				
BAXTER	56425	THE LIGHT DEPOT	218-829-0770	ISO
BURNSVILLE	55336	FAN MAN	952-898-2754	ISO
MAPLEWOOD	55109	NORTH COUNTRY ELECTRIC	651-486-7099	IHO
MAPLEWOOD	55119	FANTASTIC FANS	651-208-6006	FFS
MINNEAPOLIS	55411	PENN ELEC. MTR. SVC.	612-588-5333	FFS
MINNEAPOLIS	55422	LEO'S ELEC. SALES & SVC.	763-546-5625	IHO

STATE/CITY	ZIP	SERVICE CENTER NAME	PHONE	TYPE
<b>MINNESOTA (CONT'D)</b>				
MONTECELLO	55362	LITTLE MOUNTAIN LIGHTING	763-295-5483	FFS
ROCHESTER	55904	THOMPSON & WARD ELEC.	507-421-9085	IHO
ST. PAUL	55104	GREAT FANS & BLINDS	651-644-1203	WTS
STILLWATER	55082	MCCLISH ENTERPRISES, INC.	612-916-7375	IHO
<b>MISSISSIPPI</b>				
MADISON	39110	JACKSON SERVICE CTR.	601-856-9469	IHO
<b>MISSOURI</b>				
BRANSON	65616	THE LIGHT HOUSE GALLERY	417-334-2171	ISO
DES PERES	63131	JAFFE LIGHTING	314-965-1000	WTS
SPRINGFIELD	65802	COMPLETE MAINTENANCE	417-866-3307	IHO
SPRINGFIELD	65807	THE LIGHT HOUSE GALLERY	417-889-1088	ISO
ST. LOUIS	63123	LEINWEBER SERVICE CO.	314-892-8177	FFS
<b>MONTANA</b>				
HELENA	59601	SUPREME LIGHTING	406-442-8200	FFS
KALISPELL	59901	LASALLE LIGHTING	406-752-2424	FFS
MISSOULA	59801	WESTERN MONTANA LIGHTING	406-543-7166	ISO
<b>NEBRASKA</b>				
GRAND ISLAND	68803	QUALITY SEW & VAC	308-382-7310	ISO
LINCOLN	68510	LINCOLN LIGHTING CENTER	402-476-1297	FFS
NORFOLK	68701	THE POWER STATION	402-371-6671	FFS
OMAHA	68104	D & L ELECTRONICS	402-571-5233	IHO
OMAHA	68144	OAK HILLS ELECTRIC INC.	402-691-4567	FFS
<b>NEVADA</b>				
LAS VEGAS	89104	IDEAL SERVICES	702-396-5225	IHS
LAS VEGAS	89119	FANCO	702-898-8522	ISO
SPARKS	89431	EAGLE ELECTRIC, INC.	775-356-7300	IHO
<b>NEW HAMPSHIRE</b>				
NEWMARKET	03857	EDWARD HEINE	603-659-5999	IHO
PELHAM	03076	AFFORDABLE FANS ETC.	603-759-8332	FFS
ROCHESTER	03839	BERRY'S ELECTRIC SERVICE LLC	603-335-4474	FFS
<b>NEW JERSEY</b>				
CHESTER	07930	CHESTER LIGHTING, INC.	908-879-7200	WTS
HILLSBOROUGH	08844	TOP LINE ELECTRIC	908-431-1888	IHS
JACKSON	08527	ROBERT ROLZHAUSEN	732-363-3729	IHO
LINWOOD	08221	JACK BRESLAU	609-601-1797	IHO
MONTCLAIR	07042	B & C ELECTRONICS	973-698-1199	IHO
MORRIS PLAINS	07950	MANNY HERRERA	973-993-1137	IHO
MULLICA HILL	08062	STEPHEN RICE	856-223-8645	ISO
PARK RIDGE	07656	KRELL LIGHTING	201-391-7685	ISO
THOROFARE	08086	HARRY R. HABICHT	856-845-2541	IHO
TRENTON	08619	WIRING UNLIMITED	609-584-1122	IHO
WEST LONG BRANCH	07764	NO SHORTS ELECTRIC	732-222-4228	ISO
WASHINGTON	07882	C.P. ORLANDO	908-689-4750	ISO
<b>NEW MEXICO</b>				
ALBUQUERQUE	87109	B-ELECTRIC INC.	505-828-0241	IHO
ALBUQUERQUE	87112	A-1 LAMP DOCTOR	505-296-5050	FFS
SANTA FE	87507	B-ELECTRIC INC.	505-828-0241	IHO
<b>NEW YORK</b>				
AMAWALK	10501	JAY D. KOSACK	914-237-9051	IHO
AMHERST	14226	ROYALITE LIGHTING	716-832-1492	ISO
BEDFORD HILLS	10507	BEDFORD LIGHTING	914-666-0680	ISO
BROOKLYN	11204	JERRY PICCOLINO/J&R SVC.	718-259-1789	IHO
BROOKLYN	11219	MAIN LAMP CORP.	718-436-8500	FFS
BROOKLYN	11223	MANHATTAN LIGHTS	718-998-1111	FFS
BROOKLYN	11228	JOE VALLETUTTI, JR.	917-704-9708	IHO
CARLE PLACE	11514	ELEMENTS	516-747-4748	ISO
COMMACK	11725	AIR-TEK	631-499-1854	ISO
COMMACK	11725	TURNPIKE APPLIANCE	631-499-3355	FFS
EAST MEADOW	11554	C. D. SERVICE	516-538-3481	IHO
EAST WHITE PLAINS	10602	JAY D. KOSACK	914-237-9051	IHO
FLUSHING	11367	C.D. SERVICE	917-693-3770	IHO
HARRISON	10528	JAY D. KOSACK	914-237-9051	IHO
LONG BEACH	11561	NICK'S IMPROVEMENT COMPANY	516-659-8989	IHO
LYNBROOK	11563	SHADERITE-PZ REPAIR	516-593-8973	FFS
MIDTOWN	10022	JOE VALLETUTTI, JR.	917-704-9708	IHO
NEW YORK CITY	10023	JERRY PICCOLINO/J&R SVC.	718-259-1789	IHO
NEWBURGH	12550	J D PARRELLA ELECTRIC	845-562-4112	IHO
PEARL RIVER	10965	BOB VAZQUEZ	845-735-5861	IHO
PLAINVIEW	11803	JOSEPH GOTTDANK	516-932-7618	IHO
PLEASANTVILLE	10570	JAY D. KOSACK	914-237-9051	IHO
PLEASANTVILLE	10570	V & J GENERAL CONST.INC.	914-469-0492	IHO
POUGHKEEPSIE	12601	MANNINO ELECTRIC INC.	845-452-3520	ISO
QUEENSBURY	12804	DEAN ELECTRIC	518-792-4781	IHO



STATE/CITY	ZIP	SERVICE CENTER NAME	PHONE	TYPE	STATE/CITY	ZIP	SERVICE CENTER NAME	PHONE	TYPE
<b>NEW YORK (CONT'D)</b>					<b>TENNESSEE</b>				
RICHMOND HILL	11418	C.D. SERVICE	917-693-3770	IHO	BRENTWOOD	37027	SUNSHINE ELECTRICAL	615-371-9383	IHO
ROCHESTER	14620	CAM ELECTRIC	585-271-8560	IHO	MARYVILLE	37803	BEN SNYDER	865-385-1302	IHO
RYE	10580	JAY D. KOSACK	914-237-9051	IHO	MEMPHIS	38111	APPLIANCE SERVICE CTR.	901-324-5898	ISO
SARATOGA SPRINGS	12866	FRANK SALVATORE	518-355-5789	IHO	MOUNT CARMEL	37645	APPALACHIAN ELECTRONICS SVC.	423-357-0783	ISO
SCHENECTADY	12303	FRANK SALVATORE	518-355-5789	IHO	<b>TEXAS</b>				
SHOKAN	12481	OLIVE FANS & LIGHTING	845-657-5823	FFS	AMARILLO	79106	DI'S LAMP & FAN REPAIRS	806-331-5267	IHO
STATEN ISLAND	10301	FRANK RAGUCCI	718-273-5518	IHO	ARLINGTON	76001	P & M QUALITY CONST.	817-478-2004	IHO
STATEN ISLAND	10304	V & P SERVICE CO.	917-751-2562	IHO	AUSTIN	78703	TEXAS CEILING FAN SHOP	512-477-3132	ISO
STATEN ISLAND	10312	JOE VALLETUTTI, JR.	917-704-9708	IHO	AUSTIN	78723	SHAVER SERVICE CENTER	512-454-5848	ISO
TROY	12180	TROY LIGHT COMPANY	518-274-6931	ISO	BEAUMONT	77702	FAN FACTORY	409-833-8207	ISO
WEST HARRISON	10604	JAY D. KOSACK	914-237-9051	IHO	CARROLLTON	75006	ADFANTAGE CEILING FANS	972-446-9393	FFS
YONKERS	10704	JAY D. KOSACK	914-237-9051	IHO	CORPUS CHRISTI	78404	BRAND APPLIANCE & MICROWAVE	361-854-1851	ISO
<b>NORTH CAROLINA</b>					DALLAS	75206	LIGHTS FANTASTIC	214-369-1101	FFS
CHARLOTTE	28203	SIMPSONS LIGHTING	704-376-5463	WTS	DAMON	77430	GULF COAST FAN SVC.	281-495-6434	FFS
CHARLOTTE	28205	EFIRD'S INTERIORS INC.	704-376-5648	ISO	DENTON	76201	LARRY W. GOFF	940-387-7304	IHO
EAST FLAT ROCK	28726	RP YOUNG ELECTRIC CO. LLC	828-697-2115	FFS	DENTON	76210	SOUTHERN COMFORTS	940-536-1406	IHO
GREENSBORO	27409	RW SCHOOLFIELD ELECTRICAL	336-378-9821	FFS	FORT WORTH	76101	S & L LIGHTING SERVICES	817-894-1037	IHO
HICKORY	28602	EFIRD'S INTERIORS INC.	828-322-2203	ISO	GRANBURY	76048	S & L LIGHTING SERVICES	817-894-1037	IHO
SALISBURY	28146	HAUSS ELECTRICAL SVC.	704-637-7774	IHO	HARLINGEN	78550	THE LIGHT HOUSE GALLERY	956-423-6664	WTS
<b>NORTH DAKOTA</b>					HOUSTON	77063	LIGHTING PLUS	713-784-2440	ISO
FARGO	58103	JDP ELECTRIC INC.	701-232-1991	IHO	HOUSTON	77064	GULF COAST FAN SVC.	281-495-6434	FFS
<b>OHIO</b>					HOUSTON	77069	CHAMPIONS LIGHTING	281-440-5339	ISO
CANTON	44706	APPLIANCE PARTS CO.	330-453-8077	ISO	HOUSTON	77084	BENNETT FAN INSTALL INC.	281-484-1401	IHO
CLEVELAND	44109	WESTSIDE LIGHTING CTR.	216-459-1970	FFS	HUMBLE	77338	CAROLS LIGHTING & FAN SHOP	281-446-7613	ISO
COLUMBUS	43231	THE LAMP LIGHTER	614-891-7940	FFS	HURST	76053	ARC FAN & LIGHTING	817-268-2218	S2W
COLUMBUS	43235	CERTIFIED SYSTEMS	614-799-0878	IHO	MCCALLEN	78504	THE LIGHT HOUSE GALLERY	956-631-1155	WTS
DAYTON	45419	LARKIN ELECTRIC CO.	937-294-4115	IHO	RICHARDSON	75080	COOL BREEZES	972-690-4580	FFS
DAYTON	45459	OHIO LAMP & FIXTURE CO.	937-439-0822	ISO	SAN ANGELO	76903	HERITAGE HAUS	325-655-4900	FFS
GALENA	43021	CERTIFIED SYSTEMS	614-799-0878	IHO	SAN ANTONIO	78216	CEILING FAN SERVICE CTR.	210-804-1362	IHO
LOVELAND	45140	HANK GRINSHPAN	513-683-8666	IHO	STAFFORD	77477	GULF COAST FAN SVC.	281-495-6434	FFS
MAUMEE	43537	K.O.V. ELECTRONIC REPAIR	419-865-8893	IHO	TYLER	75707	CHARLES RAINS	903-566-3119	IHO
MAYFIELD HEIGHTS	44124	HOUSE OF LIGHTS INC.	440-449-3500	OWS	VICTORIA	77904	HALL ELECTRIC	361-578-6221	FFS
NORTH LIMA	44452	JOE DICKEY ELECTRIC	330-549-3976	FFS	WICHITA FALLS	76308	LANTERN HOUSE	940-692-7381	ISO
NORTH OLMSTED	44070	CHANDELIER SHACK INC.	440-777-6969	ISO	<b>UTAH</b>				
<b>OKLAHOMA</b>					LAYTON	84040	HARUO YOSHIKAWA	801-546-6008	IHO
OKLAHOMA CITY	73105	APPLIANCE SERVICE BY CK	405-525-8862	FFS	MURRAY	84107	CENTRAL ELECTRIC CO. INC.	801-467-5479	IHO
OKLAHOMA CITY	73127	JAMES LIGHTING INC.	405-947-6663	FFS	RIVERTON	84065	VERN O. FRANCIS	801-254-4178	IHO
<b>OREGON</b>					<b>VERMONT</b>				
PORTLAND	97225	SYLVAN ELECTRONICS INC.	800-473-1244	ISO	BOLTON VALLEY	05477	THE FAN MAN	802-734-6752	IHO
<b>PENNSYLVANIA</b>					<b>VIRGINIA</b>				
ALLENTOWN	18102	SCHOLL'S ELECTRIC	610-435-5876	IHO	ALEXANDRIA	22312	GL FAN SERVICE	301-831-4925	IHO
ALLENTOWN	18105	LIGHTING FIXTURE & SUPPLY	610-435-9691	FFS	ARLINGTON	22207	GL FAN SERVICE	301-831-4925	IHO
ARDMORE	19003	PATRICK HASTINGS	610-853-2709	IHO	BURKE	22015	L & S ELECTRIC INC.	703-237-0011	IHO
BETHLEHEM	18015	JERRY PICCOLINO/J&R SVC.	718-259-1789	IHO	FAIRFAX STATION	22039	GL FAN SERVICE	301-831-4925	IHO
CONSHOHOCKEN	19428	KAY ELEC. SUPPLY	800-331-5111	ISO	FALLS CHURCH	22042	GL FAN SERVICE	301-831-4925	IHO
DOWNINGTOWN	19335	TOBIAS ELECTRIC	610-942-4000	IHS	MCCLEAN	22102	GL FAN SERVICE	301-831-4925	IHO
DREXEL HILL	19026	PATRICK HASTINGS	610-853-2709	IHO	NORTH GARDEN	22959	EBEN MORROW	434-296-4862	IHO
EASTON	18045	PRIMROSE ELECTRIC	610-258-1359	FFS	RICHMOND	23228	FANNING ELECTRICAL SERVICE	804-262-3681	FFS
FAIRLESS HILLS	19030	ASTRO LIGHTING GALLERIES	215-943-8650	ISO	VIENNA	22181	BEN'S HANDYMAN SERVICE	703-819-4922	IHO
HARRISBURG	17111	YALE ELECTRIC SUPPLY CO.	717-233-8401	ISO	WILLIAMSBURG	23185	TAPROOT CO	757-229-3722	ISO
HOPWOOD	15445	GEORGE R. SMALLEY INC	724-437-1927	IHO	<b>WASHINGTON</b>				
LANCASTER	17601	S. DEAN'S ELECTRIC	717-285-4545	IHO	KIRKLAND	98033	M.G.M. ELECTRONICS	253-752-9826	IHO
LANSDALE	19446	STEVE SHULMAN	215-368-1960	IHO	OLYMPIA	98506	M.G.M. ELECTRONICS	253-752-9826	IHO
PHILADELPHIA	19036	PATRICK HASTINGS	610-853-2709	IHO	PASCO	99301	TOTAL SERVICE INC.	509-547-3799	FFS
PHILADELPHIA	19111	KLAUS OTTE	215-745-4266	IHO	SEATTLE	98102	M.G.M. ELECTRONICS	253-752-9826	IHO
PITTSBURGH	15224	MARK DIULLUS ELEC	412-681-2553	FFS	TACOMA	98404	M.G.M. ELECTRONICS	253-752-9826	IHO
STATE COLLEGE	16803	WHITEHILL LIGHTING & SUPPLY	814-238-2449	FFS	VANCOUVER	98682	NORTHWEST CUSTOM ELECTRIC	360-882-0290	FFS
WAYNE	19087	PATRICK HASTINGS	610-853-2709	IHO	WENATCHEE	98801	SEW CREATIVE ADVANTAGE	509-663-5516	FFS
WILLOW GROVE	19090	NORTHWEST ELECTRIC	215-659-5757	FFS	<b>WEST VIRGINIA</b>				
<b>RHODE ISLAND</b>					WHEELING	26003	TOP HAT STOVE SALES	304-233-6262	FFS
PAWTUCKET	02861	WICKFORD APPLIANCE	401-726-4240	ISO	<b>WISCONSIN</b>				
<b>SOUTH CAROLINA</b>					FONTANA	53125	J&L PROPERTY MAINT.	262-275-2345	IHO
COLUMBIA	29212	EASTWIND ENTERPRISES	803-781-3267	FFS	GREEN BAY	54313	KARL DEVROY	920-494-6090	IHO
GOOSE CREEK	29445	DAVID MIMS	843-514-2380	IHO	LA CROSSE	54601	WETTSTEIN'S	608-784-5555	FFS
HANAHAN	29406	BOBBY LUTES ELECTRICAL	843-832-2058	ISO	MADISON	53719	MADISON LIGHTING	608-271-6911	FFS
MYRTLE BEACH	29575	RAY ELECTRIC	843-293-0068	IHO	MILWAUKEE	53219	BOB'S FAN REPAIR	414-546-2501	IHO
OKATIE	29909	J. HEAVENER & CO.	843-837-8300	IHO	<b>CANADA</b>				
SIX MILE	29682	RP YOUNG ELECTRIC CO. LLC	828-697-2115	ISO	TORONTO, ONT	M6B1V9	ZANEEN LIGHTING INC.	800-388-3382	FFS
SPARTANBURG	29306	BOBBY JACKSON ELECT.	864-583-6035	IHO	<b>OVERSEAS</b>				
<b>SOUTH DAKOTA</b>					CASABLANCA CONSUMER AFFAIRS				
SIOUX FALLS	57105	LAMPS AND SHADES INC.	605-332-6680	FFS	888-227-2178				

For the most updated listing of casablanca authorized service centers, visit [www.casablancafanco.com/servicecenters](http://www.casablancafanco.com/servicecenters) or call toll-free **1-888-227-2178**.

**TYPES OF SERVICES OFFERED:**

- FFS = FULL FAN SERVICE
- IHO = IN-HOME ONLY
- ISO = IN-SHOP ONLY
- ISW = IN-SHOP ONLY/ONLY WHAT THEY SELL
- OWS = ONLY WHAT THEY SELL

