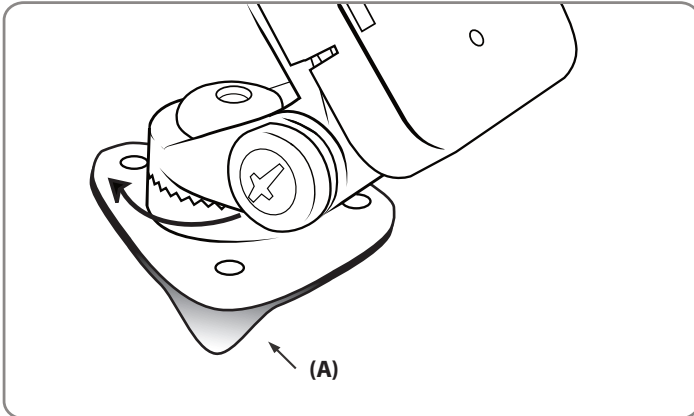
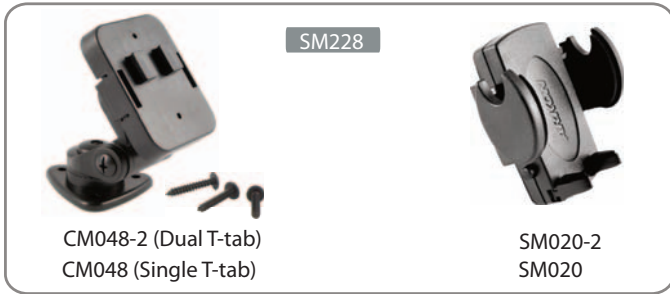
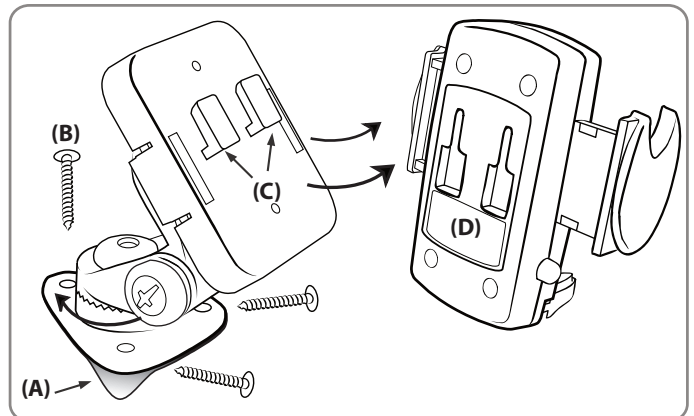


SM228 & CM928 | 1" Multi Angle Dash or Console Phone or PDA Mount



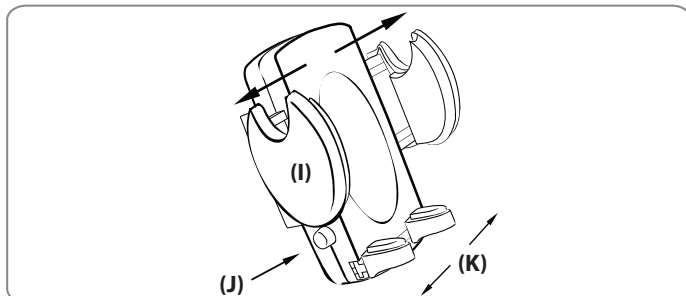
Dash or Console Adhesive Mounting

- Step 1. Find a safe location on the dash or console to mount the pedestal. Make sure the area is clean and dry. Use the included alcohol pad to clean the mounting surface.
- Step 2. Remove the adhesive backing (A) under the triangular pedestal and firmly press into place.
- Step 3. After adhesive has bonded at room temperature (approx. 72°F), allow 24 hrs prior to use for best results.
- Step 4. Adjust the angle of the pedestal head by firmly holding the base and rotating to the desired angle.



Dash or Console Screw (optional)

- Step 1. Find a safe location on the dash or console to mount the pedestal. Make sure the area is clean and dry. Use the included alcohol pad to clean the mounting surface if necessary. Remove the adhesive backing (A) under the triangular pedestal and firmly press into place.
- Step 2. Using a screwdriver, tighten the 3 screws (B) through the pedestal base into the mounting surface.
- Step 3. Adjust the angle of the pedestal head by firmly holding the base and rotating to the desired angle.
- Step 4. Attach the device cradle to the pedestal by inserting the dual T-tabs of the pedestal (C) into the T-slots of the cradle (D).



Universal Cradle Instructions

- Step 1. If necessary, adjust the support legs (K) by sliding them laterally. These provide support for your device.
- Step 2. Place device on the support legs (K) and squeeze the side grip arms (I) until they fit securely to the device.
- Step 3. Push the release button (J) in order to release the device from the cradle.

Safety Precautions

Do not install Arkon products over an air bag cover or within the air bag deployment zone. Arkon Resources, Inc. assumes no responsibility of liability for injury or death as a result of car crashes and/or air bag deployment.

Arkon Resources, Inc. is not responsible for any damages caused to your car, your device, or yourself due to the installation or use of the pedestal mount.

ARKON
RESOURCES INC.

The Mobile Mounting Specialists™

Consumer Hotline:
(USA) (800) 841-0884
(INT'L) (626) 254-9005
Mon-Fri. 9am-5pm, PST

www.arkon.com
Arcadia, CA 91006 USA
Made in Taiwan

© Copyright 2007 Arkon Resources, Inc.