

**MAKER'S
WARRANTY**

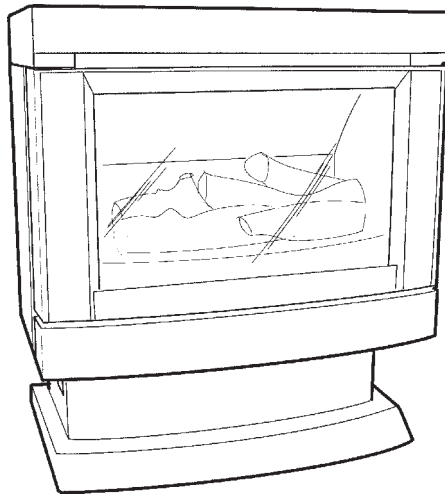
This appliance
complies with a
design certified
by the AGA

Type-tested
Certification



Cannon

CANTERBURY



**FREESTANDING
MODELS**

**CANTFS-03-NG
CANTFS-03-LP**

USER INSTRUCTIONS

INSTALLATION INSTRUCTIONS

SERVICE INSTRUCTIONS

This heater is approved for use with Natural and Propane gases.
Please leave instructions with the owner

Contents

Contents	2
Warranty	3
○ Distributor	
Safety warnings	4-5
○ What to do if you smell gas	
○ Warnings	
○ Standards	
User instructions	6-8
○ Operating instructions	
○ Flame characteristics	
○ Cleaning	
Heater specifications	9
Installation instructions	10-15
○ Clearances	
○ Installation	
○ Gas connection	
○ Log installation	
○ Gas control	
○ Gas pressure point	
○ Installation tips	
Flue installation - Standard flue kit	16-17
○ Flue kit	
Alternative double skin flue installation	18-19
○ Alternative flue kit	
Service instructions	20-21
○ General	
○ Access to components	
○ To replace primary glass	
○ To replace the gas control	
○ To replace the fan	
○ To replace the electronic controller	
○ To remove the burner and electrodes	
○ Wiring diagram	
○ Data label	
○ For service to this appliance	
Trouble shooting	22-23
○ Connections	

Warranty

The Cannon appliance is warranted against defects in materials and workmanship for a period of one, (1) year from its date of original purchase, for residential use in Australia.

Warranty service, which includes parts and labour for the replacement or repair of defective parts, is available through the CANNON distributor. (Details below or on page 21).

Consumers are responsible for service person's travel outside normal service areas (approximately seventy (70k) radius from the nearest Cannon dealer's location), local cartage, and normal maintenance as described in this manual.

Any product subjected to misuse, abuse, negligence, accident or alteration will have its warranty voided. The defacement of serial plate will have its warranty voided.

If installation is not carried out in accordance with manufacturer's instructions, this warranty may be void.

The customer must keep their "Tax Invoice" as proof of purchase of this product, and compliance certificate as proof of required installation.

Model number: _____

Serial number: _____

Date of manufacture: _____

Date installed: _____

Compliance Certificate No: _____

Don't risk your appliance warranty

Only a licensed person will give you a Compliance Certificate, showing that the work complies with all the relevant standards.

And only a licensed person will have insurance protecting their workmanship for 6 years.

So make sure you use a licensed person to install this appliance and ask for your Compliance Certificate to ensure the manufacturer's appliance warranty will be honoured.

Distributor

This appliance is designed, manufactured and distributed by:

Sampford IXL

Tel: 1300 727 421

Safety warnings

Please read this manual before installing and using the heater.

What to do if you smell gas

1. Turn OFF the main gas supply.
2. Extinguish any open flame.
3. Open windows.
4. Do not touch electrical switches.
5. Do not use your telephone.
6. Call your gas supplier immediately from a neighbour's phone.

Warnings

1. Improper installation, adjustment, alteration, service or maintenance can cause injury or property damage. Refer to other sections of this manual for correct procedures, or consult with place of purchase, a licensed plumber, a gas supplier or the CANNON distributor listed in this manual.
2. Do not build the heater into bookcases or walls. Install only in locations as referred to in these installation instructions.
3. Due to high temperatures the room heater should be located out of traffic and away from:
 - Furniture and draperies,
 - Combustible materials,
 - Gasoline and other flammable liquids,

Do not place clothing or other flammable material on or near the heater.

4. Keep curtains*, clothing, furniture and other flammable materials at least 900mm from front, rear and sides of the heater.

* At the owner's discretion curtain clearance can be less than 900mm as long as they are restrained from the front, top and sides of the heater. The manufacturer takes no responsibility if curtain clearance is less than 900mm and not restrained.

5. Children and adults should be alerted to the hazard of high surface temperature and should take care to avoid burns or clothing ignition.

THIS APPLIANCE IS NOT INTENDED FOR USE BY PERSONS (INCLUDING CHILDREN) WITH REDUCED PHYSICAL, SENSORY OR MENTAL CAPABILITIES, OR LACK OF EXPERIENCE AND KNOWLEDGE, UNLESS THEY HAVE BEEN GIVEN SUPERVISION OR INSTRUCTION CONCERNING USE OF THE APPLIANCE BY A PERSON RESPONSIBLE FOR THEIR SAFETY.

CHILDREN SHOULD BE SUPERVISED TO ENSURE THAT THEY DO NOT PLAY WITH THE APPLIANCE.

6. Never attempt to burn paper or any other material in the heater.

7. Do not spray aerosols in the vicinity of this appliance while it is in operation.

Do not place articles on or against this appliance.

Do not use or store flammable materials near this appliance.

8. This heater is not intended for use in a marine environment.
9. If removed, the glass window must be put back onto the unit prior to operating the heater.
10. Installation and repairs should be performed by a licensed service person only, refer to page 21 for service number.
11. The appliance should be inspected prior to use, with regular inspections (annually) to be made by a licensed service person. It is important that circulating air passageways of the appliance be kept clean, dirt and lint free, for a safe and efficient operation of the heater.
12. On first lighting your heater a smell may occur due to its new condition. This is quite normal and will disappear after a few hours use at the maximum control position.
13. Testing the effectiveness of the flue.

Before testing the flue, confirm air vents are unobstructed. If an exhaust fan or other heating appliances are present switch them on. This is to test that there is no interaction between the Cannon heater and other appliances.

Refer AS5601.

For 'air movement not to affect appliance' see clause 5.3.1.

For 'air supply to appliance' see clause 5.4.1.

For 'ventilation requirements' see clause 5.4.3.

Important:

WHEN THE HEATER IS OPERATING THE GLASS FRONT IS HOT. A safety guard conforming to Australian Standards requirements is available for this heater. It is an optional extra, which may be fitted to the heater to reduce the risk of fire or injury from burns. Its fitting is recommended when there are children present. For permanent protection of young children or the infirm, an optional mesh guard is recommended. Call your retailer or CANNON distributor for further details.

Standards

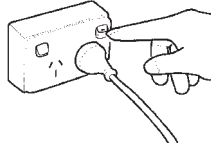
This appliance meets the following standards:

Standards Australia: AS 3100
AS 5601
AS 4553/AG 103

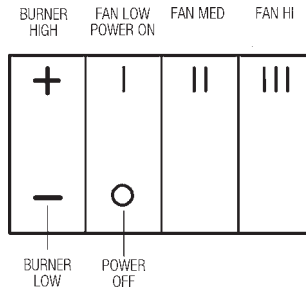
User instructions

Operating instructions

1. Plug the power cord into the wall socket and turn on the power to the heater, see figure 1. Use of an extension cord is not recommended.

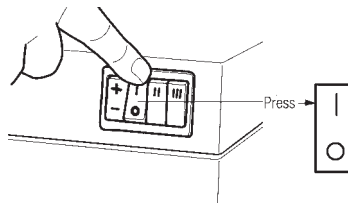


2. For control lay-out refer to figure 2

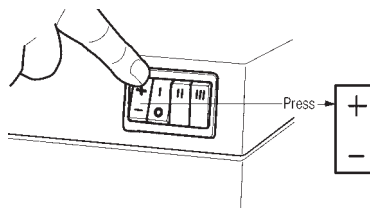


3. To turn heater on press switch to POWER ON position. There is a 5 second delay before the burner ignites. At this setting the burner is on LOW and the fan speed is on LOW. Refer figure 3.

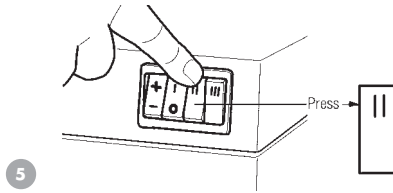
The burner will ignite on both HIGH and LOW settings.



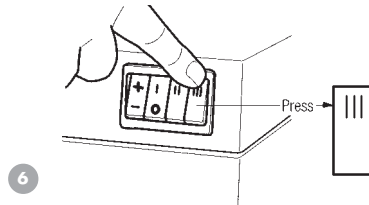
4. To turn burner to HIGH setting, press switch for HIGH setting. Refer figure 4.



- To increase the fan speed to MED, press switch for MED setting. Refer figure 5.

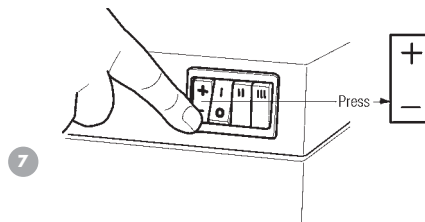


- To increase the fan speed to HIGH, press switch for HIGH setting. Refer figure 6.



- To turn the burner to LOW setting, press switch for LOW setting. Refer figure 7.

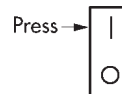
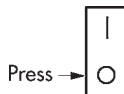
On low burner setting it is more efficient to operate the fan speed on LOW.



- If the burner fails to ignite, wait 20 seconds and repeat the ignition procedure. See below.

To turn burner OFF

To turn burner ON



- In case of power failure return the switches to the OFF setting (refer figure 2). When the power returns wait 20 seconds for any unburnt gas to vent and start re-ignition as per point 3.

Flame characteristics

The heater flame should be stable, no lifting from the burner and the logs should glow after approximately 15 minutes operation on HIGH setting.

The heater is a fuel effect unit and is designed to operate with luminous flames and may exhibit slight carbon deposits on the logs. If there is any excess carbon build-up on the logs, or the burner flame is unstable, contact Sampford IXL in your state. (See phone contact on page 21.

For service to this appliance refer page 21 for contact details.

Cleaning.

All cleaning should be carried out when the heater is cold. Normally the heater should only need wiping with a lint - free damp cloth. Any stubborn stains can be removed with a non-abrasive spray on cleaner. If an abrasive cleaner is used the paint finish will be damaged.

Internally the heater should only be cleaned by a licensed service person listed in this manual.

If your heater requires attention contact your supplier or licensed service person listed in this manual.

Important:

The appliance should be inspected before use and at least annually by an authorised service person. More frequent cleaning may be required due to excessive lint build-up from carpeting, bedding materials, pet hair, etc.

It is imperative that the control compartment and circulating air passage ways of the appliance be kept clean.

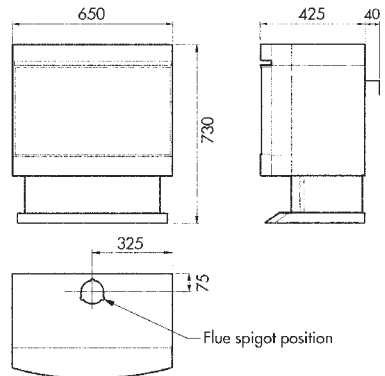
Do not use this fire if the glass is cracked or with the glass safety screen removed.

Do not use fire with broken or missing logs.

Heater specifications

Note:
The data label is located on the rear of the removable pedestal front.

Gas type:	Natural or Propane gas, as indicated on data label.
Gas consumption:	26 MJ/hr input.
Energy output:	21.45 MJ/hr (5.96 kW).
Energy star rating:	4 stars.
Heater type:	Approved to AS4553/AG 103.
Operating pressure: (at the burner)	Natural gas: 0.75 kPa. Propane gas: 2.65 kPa.
Gas regulator:	Integral part of controller.
Min. inlet pressure:	1.13 kPa (Nat Gas). 2.75 kPa (Propane).
Fan:	3 speed.
Controller:	Electronic direct spark.
Power requirement:	240 VAC 10 Amp.
Power consumption:	90 VA maximum.
Optional Accessories:	<ul style="list-style-type: none"> • Safety guard. • Gold trim. • Cathedral ceiling flue box (for standard flue only).
Standard flue kit:	2 x 900mm lengths of 125mm \varnothing painted upper flue. 1 x 900mm length of 125mm \varnothing plain flue. 1 x ceiling plate. 1 x 900mm painted bottom flue spigot length. 1 x 125mm \varnothing flue cowl.
Alternative flue kit for double skin flue:	4 x 900mm lengths of 75mm \varnothing inner galvanised flue. 1 x 850mm length of 170mm wide lower outer flue cover. 2 x 850mm lengths of 170mm wide upper flue cover. 1 x ceiling plate. 1 x 75mm \varnothing flue cowl.



Installation instructions

Overall dimensions: Refer fig. 8.

1. This appliance is to be installed by a licensed service person only.
2. This appliance shall be installed in accordance with the manufacturer's installation instructions, local gas fitting regulations, municipal building codes, electrical wiring regulations, and AS5601 the Australian Standard for gas installations. Refer also AS5601 for gas pipe sizing tables.

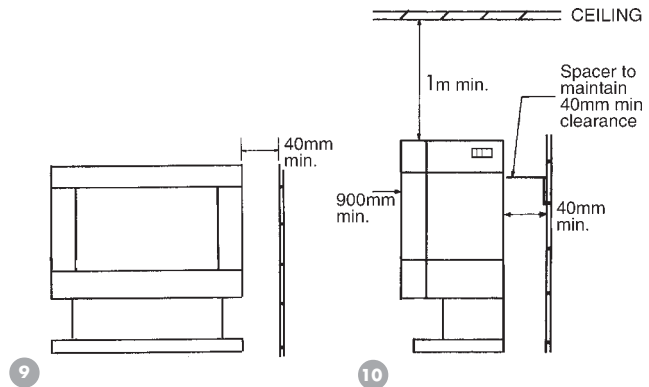
THIS HEATER IS NOT INTENDED FOR FIRE PLACE INSERT.

Clearances

3. Ensure the minimum clearances to combustible construction are maintained during installation, including adequate space for the proper operation and servicing of the heater.

For clearances to curtains and furnishings refer to warning 3 & 4 on page 4.

For minimum clearances refer fig 9 and 10.



4. Remove the carton from the heater and lift from pallet.

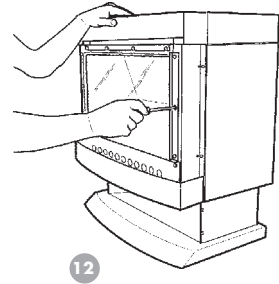
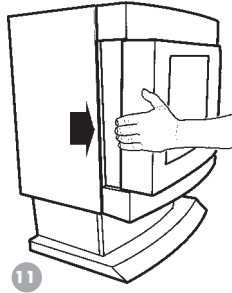
Check that the heater is suitable for the gas available. Refer to the data label located on the fan chamber base, rear of pedestal front.

(Please dispose of packaging appropriately, keep away from children).

5. Prepare electrical and gas connections, a 10 Amp wall socket needs to be located within 1.5m of the heater.
6. Fit rear spacers as per figure 10.

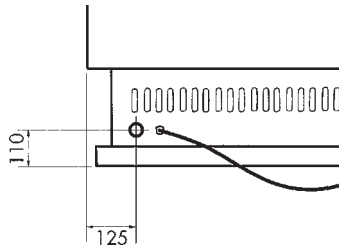
Installation

7. Place heater in position. (Check flue and gas connection positions. Refer to gas connection instructions on page 11 and flue installation instructions on pages 16 & 17, 18 & 19).
8. Remove the front glass surround by holding it firmly on either side and pulling it towards yourself. Refer figure 11.
9. Remove the inner glass. Slacken off screws in top clamp and remove side clamps. Refer figure 12.



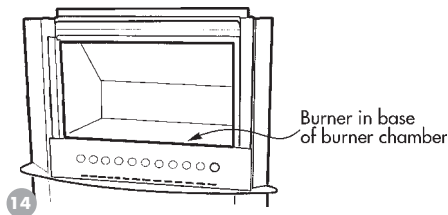
Gas connection

10. Connect incoming gas supply pipe to $\frac{1}{2}$ " compression fitting at rear of appliance. For inlet position see figure 13.



Log installation

11. The burner is contained within the burner chamber. Refer figure 14.

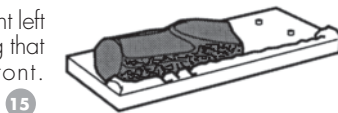


12. Carefully unpack the log set. Logs are numbered as follows:

- No 1 - Left front log
- No 2 - left back log
- No 3 - Right front log
- No 4 - Right back log

Position the four individually numbered logs in the following order on the burner head as shown in figures 15 - 18. The male locating pins in the burner head must engage with corresponding holes in the individual logs.

a) Place log No.1 onto the 2 front left pins on the burner head, ensuring that the charring faces the front. Refer figure 15.



b) Place log No.2 onto the 2 left back pins. Refer figure 16.



c) Place log No.3 on single right front pin, ensure fork locates over log No. 2. Refer figure 17.



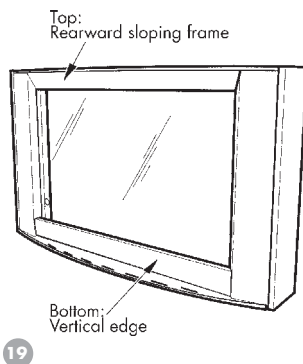
d) Place log No. 4 on single right back pin, ensure left side of log rests on depression in No. 3 log. Refer figure 18.



13. Refit the inner glass, but do not overtighten the screws.

Advise the user in the operation of the heater.

14. Refit the front glass surround. Ensure that the glass surround is replaced the correct side up. The rearward sloping frame must be at the top and the vertical edge must be at the bottom. Refer figure 19.



Gas control

15. Gas control layout is as indicated in figure 20

Operate the heater on HIGH and LOW burner and all fan speeds.

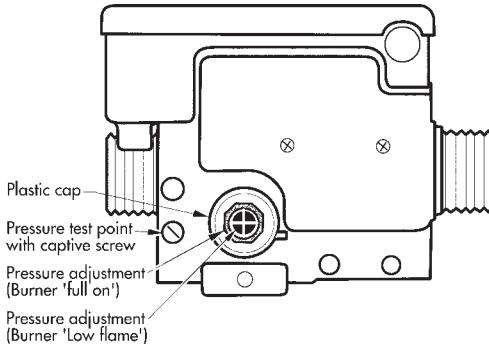
The flame should be stable, no lifting from the burner, and the logs should glow after approximately 15 minutes of operation on HIGH burner.

If the flame is unstable:

- Check that the burner is located correctly.
- Check that the glass front is located correctly and is against the sealing rope.
- Check that the gas pressure is correctly adjusted.

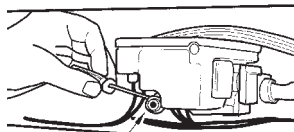
If the heater still does not operate to specification refer to the trouble-shooting chart on pages 22 & 23, or contact Sampford IXL in your state.

Pressures for 'Burner full on' and 'Burner low flame' are factory set, however if pressures need to be checked or adjusted follow the procedures described below and on the next two pages.

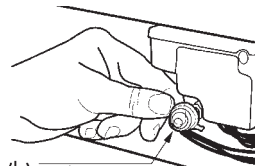


20

16. To check control outlet pressure at burner 'Full on' and 'Low Flame' positions, remove the plastic cap from the regulator adjustment location as indicated in figures 21 (a) & (b).



(a) Wedge cap loose with small screwdriver

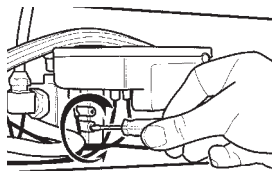


(b) Gently remove cap

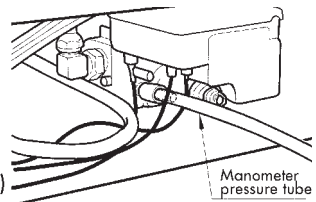
21

Gas pressure point

17. The pressure point is closed with a captive screw. Turn screw 6 revolutions anticlockwise to open the pressure point as indicated on figure 22 (a) and place manometer tube over the test point as per figure 22 (b).



(a) Turn anti-clockwise



(b)

Manometer pressure tube

22

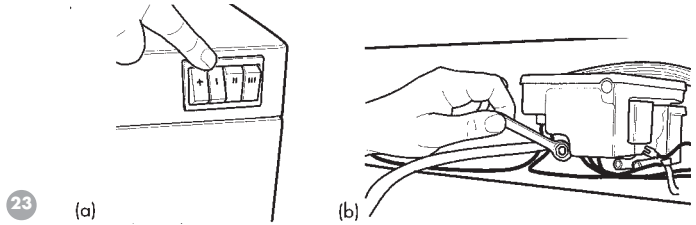
Important:

To achieve the correct visual flame effect:

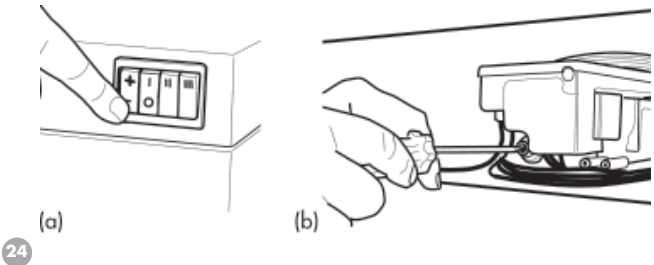
On Propane the gas pressure must be set at 2.65 kPa with burner operating on maximum setting.

On Natural Gas the gas pressure must be set at 0.75kPa.

18. Switch the top two control buttons to "Full On" position as indicated in figure 23(a) and using a ring spanner, as per figure 23(b), adjust the pressure to 0.75 kPa for Natural gas or 2.65 kPa for LPG. (Turn clockwise to increase pressure and anticlockwise to decrease pressure).



19. Switch the heat button back to "Low Flame" position as indicated in figure 24(a), **retain spanner in position** and using a screwdriver as per figure 24(b) adjust the central screw control to give a pressure reading of 0.3 kPa for Natural Gas and 1.1 kPa for LPG. (Turn clockwise to increase pressure and anticlockwise to decrease pressure).



20. Switch burners off and remove the manometer tube. Tighten pressure test point by turning the captive screw fully clockwise.

Replace plastic cap. Ensure the little lug is positioned towards lower right hand side to clear the control.

21. Refit the lower front cover, making sure not to damage the power cord.
22. Follow User Instructions to turn on heater and test for correct operation before leaving.
23. The heater flames should be stable, not lifting from burner and the logs should glow after approximately 15 minutes operation on HIGH setting.

The heater has been designed to burn with luminous flames, which mimic natural log combustion, and may exhibit slight carbon deposition. If heavy carbon deposits occurs or flames impinge on the roof of the combustion chamber, turn the appliance off and contact the service agent in your state.

24. If after following these installation instructions, and the trouble shooting chart on page 22-23, the heater does not perform correctly contact the our Technical Services Department. For contact details please refer page 21.

Installation tips

- Make sure that the heater is fully commissioned and be certain to test the integrity of the flue operation, taking into account any influences created by range-hoods, exhaust fans, central heating, etc.
- To avoid any unnecessary delays and inconveniences to your customer, please contact our Technical Services Department on 1300 727 421 if the installation is unusual or you have any concerns with the installation and/or heater operation before the installation commences.
- Any service request resulting from incorrect installations are not covered by our warranty conditions and these will result in charges, usually to the end user, so please be sure that the installation and commissioning has been satisfactorily carried out before calling for any warranty service.
- Please ensure that the end user is fully instructed on how to operate the heater.

Flue installation - Standard flue kit

This heater is a flued appliance. It must be properly connected to a flue system in accordance with the latest edition of the Gas Installation Code, AS 5601/AG 601.

If elbows are required, we recommend 45° only and no more than two in the total flue run, there should also be a minimum of 250mm straight flue section in between bends..

If practical, locate the heater in a position to minimise the need for elbows.

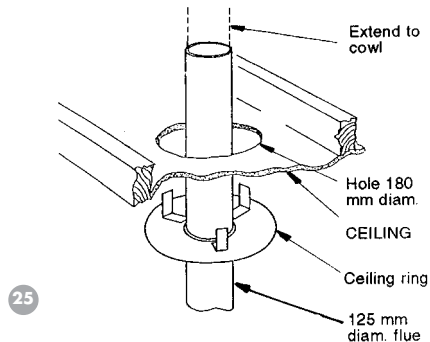
There must be at least 18mm of vertical before any changes in direction of the flue.

If placed against a combustible wall the 40mm rear spacers locate against the wall.

1. Ensure clearances to combustible constructions have been observed. For clearances refer page 10.
2. The centre line of the flue is 120mm to rear of appliance (including rear spacers).
3. Carry out installation as per figure 25 (ceiling plate installation) and figure 26 (flue installation).

Cut a hole 180mm \varnothing in the ceiling in line with the flue position. Secure ceiling plate against the ceiling by bending out the tabs above the ceiling.

Note: If the ceiling has an incline, the ceiling box will need to be fitted. The ceiling box is an accessory and can be ordered from the supplier. Installation instructions are supplied with the ceiling box. Part no: BOXFB.

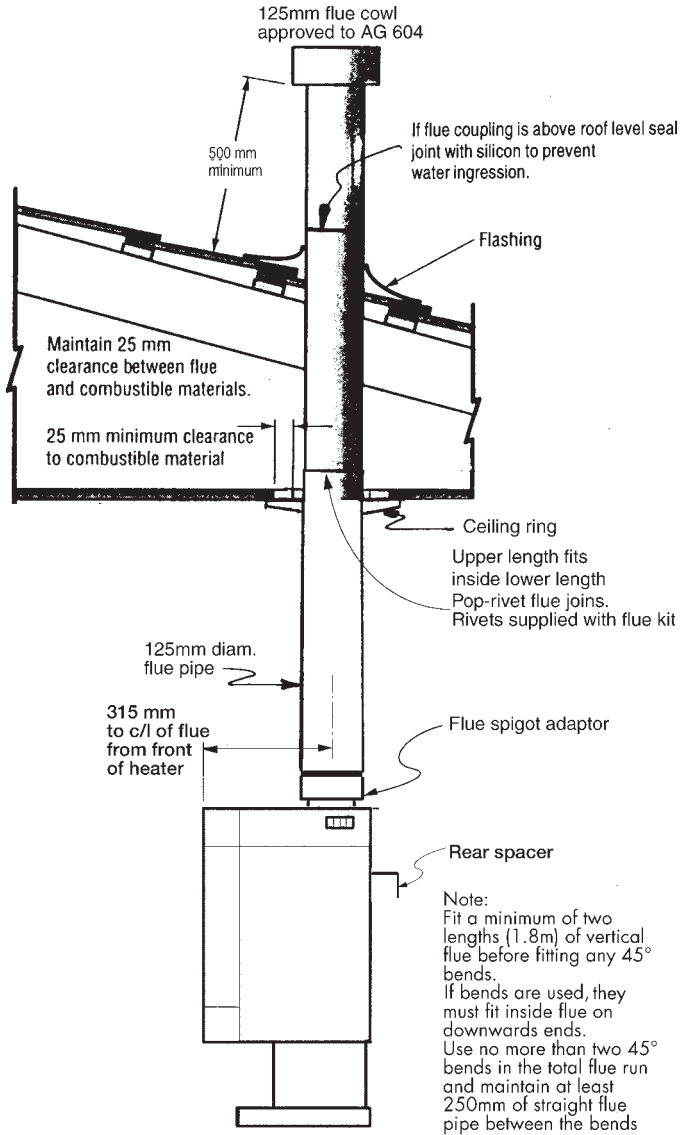


Flue kit

The flue kit contains:

- 2 x 900mm lengths of 125mm \varnothing painted upper flue.
- 1 x 900mm painted bottom flue spigot.
- 1 x 900mm length of 125mm \varnothing plain flue.
- 1 x ceiling plate.
- 1 x 125mm AGA approved gas cowl.

Flue installation - Standard flue kit



Flue installation - Alternative double skin flue kit

Alternative double skin flue installation

This heater is a flued appliance. It must be properly connected to a flue system in accordance with the latest edition of the Gas Installation Code, AS 5601.

If elbows are required, we recommend 45° only and no more than two in the total flue run. There should also be a minimum of 250mm straight flue section in between bends.

If practical locate the heater in a position to minimise the need for elbows.

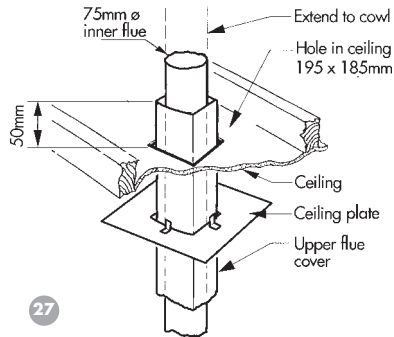
There must be at least 1.8m of vertical before any changes in direction of flue.

1. Ensure clearances to combustible have been observed. For clearances refer page 10.
2. The centre line of the flue is 120mm to rear of appliance (excl. rear spacers).
3. Carry out installation as per figure 27 (ceiling plate installation) and figures 28 & 29 (flue installation).

Cut a hole 195 x 185mm in the ceiling in line with the flue position.

4. One large and two small holes in the bottom end of the lower outer flue cover locate around the flue spigot and two locating pins. Refer figure 30.

Note: If the ceiling has an incline, the ceiling box will need to be fitted. The ceiling box is an accessory and can be ordered from the supplier. Installation instructions are supplied with the ceiling box.

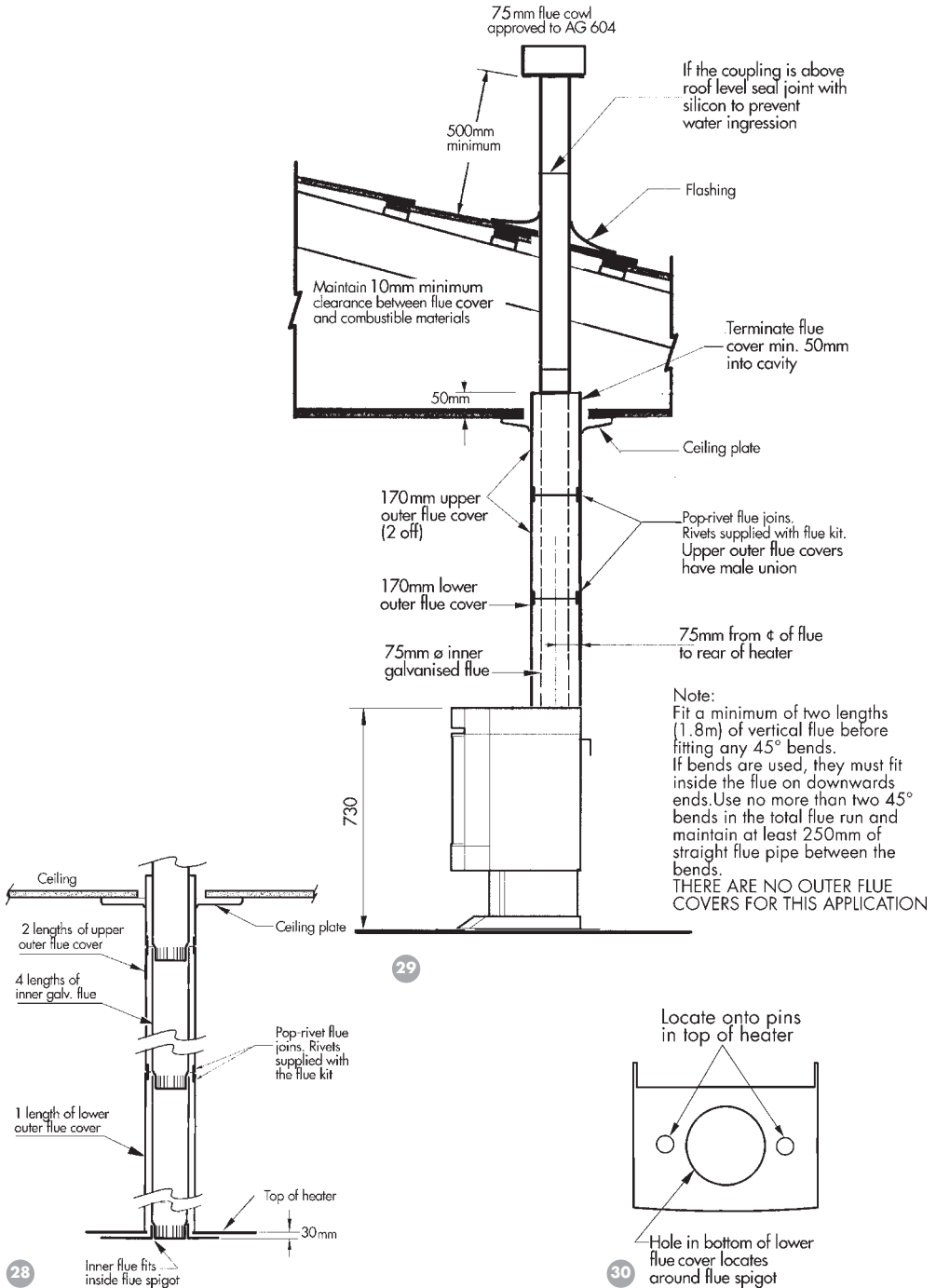


Alternative flue kit

The flue kit contains:

- 4 x 900mm lengths of 75mm ø inner galvanised flue.
- 1 x 850mm length of 170mm wide lower outer flue cover.
- 2 x 850mm length of 170mm wide upper flue cover.
- 1 x ceiling plate.
- 1 x 75mm AGA approved flue cowl.

Flue installation - Alternative double skin flue kit



Service instructions

General

1. Service work to be carried out by a licensed service person only.
2. Unplug from wall socket.
3. Always shut off the gas supply and ensure that the heater is cool before commencing any service operations.
4. Always check for gas soundness after servicing.

Access to components

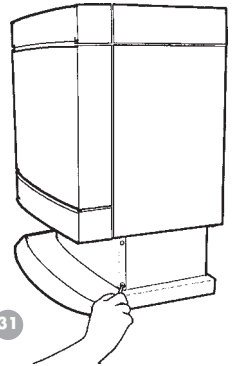
Remove the pedestal front by unscrewing 4 screws. Refer figure 31.

To replace the primary glass

Follow the steps 8&9 of installation instructions. Refit glass and replace in reverse order.

To replace the gas control

1. Disconnect the gas regulator connector from the electronic module.
2. Undo the inlet and outlet compression nuts.
3. Unscrew the four M3 retaining screws adjacent to the gas inlet at the rear of the appliance, releasing the control.
4. Replace in reverse order.



To replace the fan

1. Disconnect the fan from the fan plug.
2. Undo the two M5 wing nuts fixing the fan to the burner chamber underside.
3. Replace in reverse order.

To replace the electronic controller

1. Remove two screws from controller front.
2. Disconnect the plug.
3. Replace in the reverse order.

To remove the burner and electrodes

1. Follow steps 8 & 9 of the installation instructions.
2. Remove the logs from the burner chamber.
3. Remove the burner chamber front (4 screws).
4. Disconnect the nut from the burner manifold.
5. Remove the electrode connections from the spark module.
6. Remove burner fixing brackets (2) from RH & LH sides of the burner. Lift the burner assembly upwards and carefully remove from the burner chamber.
7. Replace in reverse order.

Trouble-shooting

To check the operation of the electronic (module) controller (Type 537 ABC) you will require a digital multimeter with the functions to measure AC/DC voltage, continuity, resistance and micro-amps.

It is critical that the appliance is earthed and that the active and neutrals are not reversed.

Item No	Check	Action
1.	No ignition when appliance is turned on.	<ul style="list-style-type: none">• Check 240 volts power to heater in incoming plug connector.
2.	Power present but appliance not operating.	<ul style="list-style-type: none">• If there is power to the brown wire in the 8 way switch connector the module may be in lockout mode. To reset the module turn off the power supply for 10 seconds and then turn the power on again.
3.	After resetting the module the appliance is still not operating.	<ul style="list-style-type: none">• Check the internal 3.5 amp fuse in the module.
4.	If the fuse is O.K. and still appliance not operating	<ul style="list-style-type: none">• Check other connections are in place.• If the last checks are correct the ignition electrode should spark at the same time as the gas control solenoid valves open. At this point the spark electrode will activate for up to 10 seconds maximum until the flame has been established. Terminal 14 (white wire into the 8 way switch connector) will be energised as soon as the flame has been sensed.
5.	Confirm spark is produced when heater is turned on.	<ul style="list-style-type: none">• A blue spark can be seen when the heater ignition process starts. Ensure spark is present between electrode and burner.
6.	If no spark being produced	<ul style="list-style-type: none">• Check that spark lead is connected into module.• Check the continuity of the HT cable.• Check that there is no short circuit to earth and spark gap is correct. (Refer figure 32). A positive check is to use a jumper wire and connect one end of the earth and hold the other end with insulated pliers 4mm from the spark generator on the module. If there is no spark to earth then change the module.
7.	Spark is being produced but not at burner.	<ul style="list-style-type: none">• Listen for cracking sound. The spark is misdirected. Check the spark ceramic insulator for signs of cracks.
8.	Sparks, ignites on low flame then extinguishes after 10 seconds. Continues to spark during flame presence.	<ul style="list-style-type: none">• Check that the wall socket to the appliance has correct polarity. Do not use an extension cord. Check polarity in the electrical supply lead to appliance.• Check that the sense electrode is in the flame.• Check that appliance is earthed correctly. A check between the earth pin on the plug and an unpainted part of the appliance should see a resistance of 0.1 ohms.

- | | | |
|-----|---|---|
| 9. | No gas to burner. | <ul style="list-style-type: none"> • The gas valve should open at the same time as the igniter sparks. If there is no gas to the burner when this occurs check the solenoid coils for continuity. • Check that the gas pressure is present at the test point when the spark is being generated. • Check that there is gas to the inlet of the gas control. |
| 10. | Appliance lights but goes into lockout. | <ul style="list-style-type: none"> • Test the flame for correct ionisation signal. Connect a multimeter in series with the flame rod and set the function to measure micro-amps. The module will go into lockout if the flame current sensitivity is less than 0.5 micro-amps. The approximate signal strength on high flame is about 10 micro-amps and on low 4 micro-amps. The signal strength will fluctuate but should be greater than 1.5 micro-amps at all times. <p>Take precaution because the ionisation probe can have a high negative voltage and can cause shock.</p> |
| 11. | Fuse blowing. | <ul style="list-style-type: none"> • If the fuse continues to blow check the solenoid coils for signs of them being shorted. • Check the fan and wiring for short circuit. |

Connections

Terminals 5, 6 and 7 at the module 12 way connector are bridged.

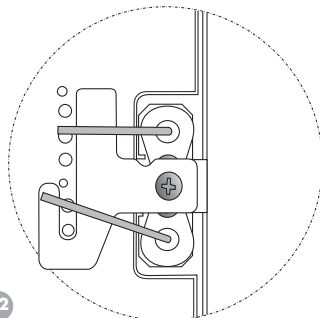
Terminal 10 at the module 12 way connector is the active supply via the red wire.

Terminal 11 at the module 12 way connector is the neutral supply via the blue wire.

Terminal 12 at the module 12 way connector is the earth connection via the green/yellow wire.

Terminal 12 at the module 2 way connector is the neutral connection via a brown wire which is joined into the rectifier cable then into the 8 way switch connector blue wire.

Terminal 14 is an active connection at the module 2 way connector via a white wire into the 8 way switch connector. This is active only when the flame is sensed.



Sampford|IXL

Cannon
CANTERBURY

Part No: F2902
Revision (C) - 2008