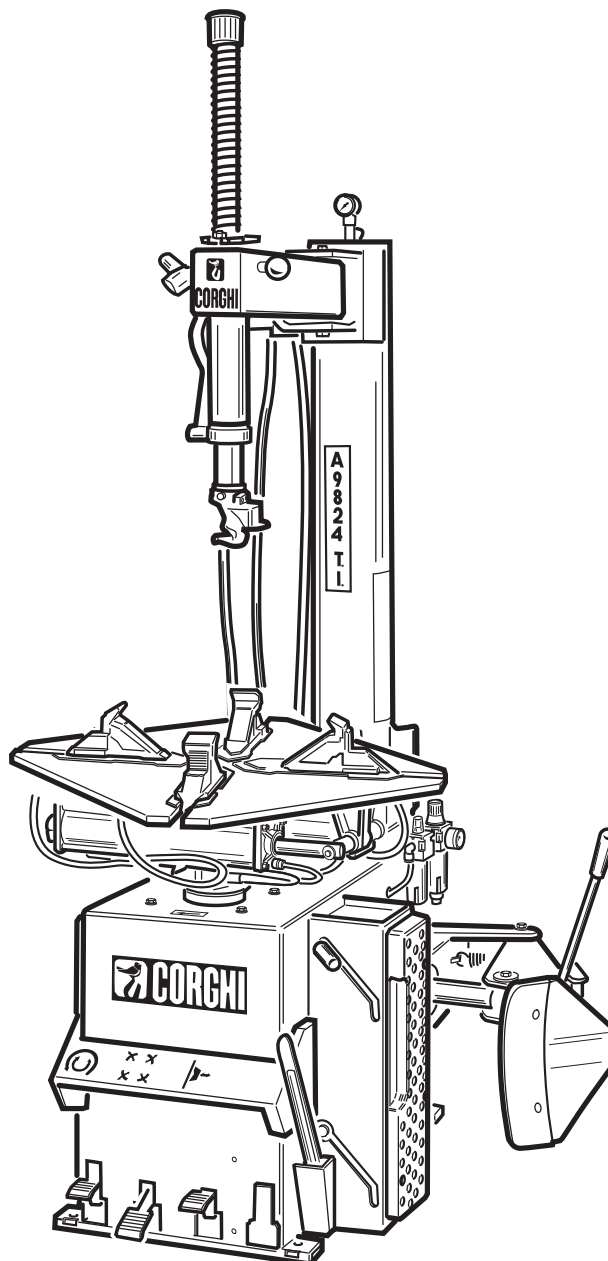


Questo libretto non autorizza l'utente ad intervenire sulle macchine ad esclusione di quanto esplicitamente descritto nel Manuale d'uso, ma consente all'utente di fornire informazioni precise all'Assistenza tecnica, al fine di ridurre i tempi di intervento.

A 9824

The "Spare parts" booklet does not authorize the user to carry out work on the machine unless expressly specified in the instruction manual, but does enable him to provide accurate information to the assistance service in order to reduce downtime.

PEZZI DI RICAMBIO SPARE PARTS LIST ERSATZTEILLISTE PIECES DE RECHANGE



Code

4-103962A

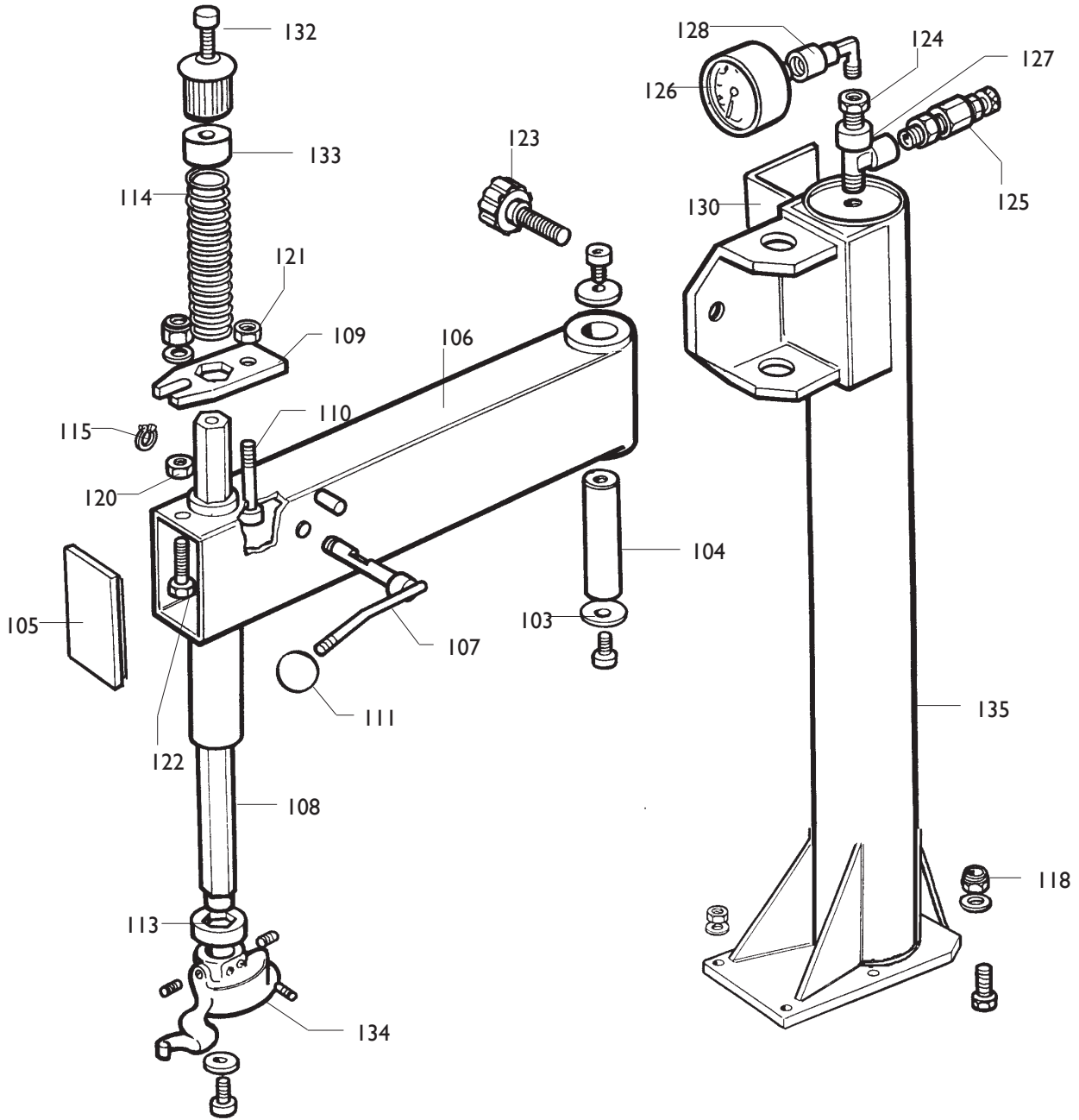
Production from

09 / 2006

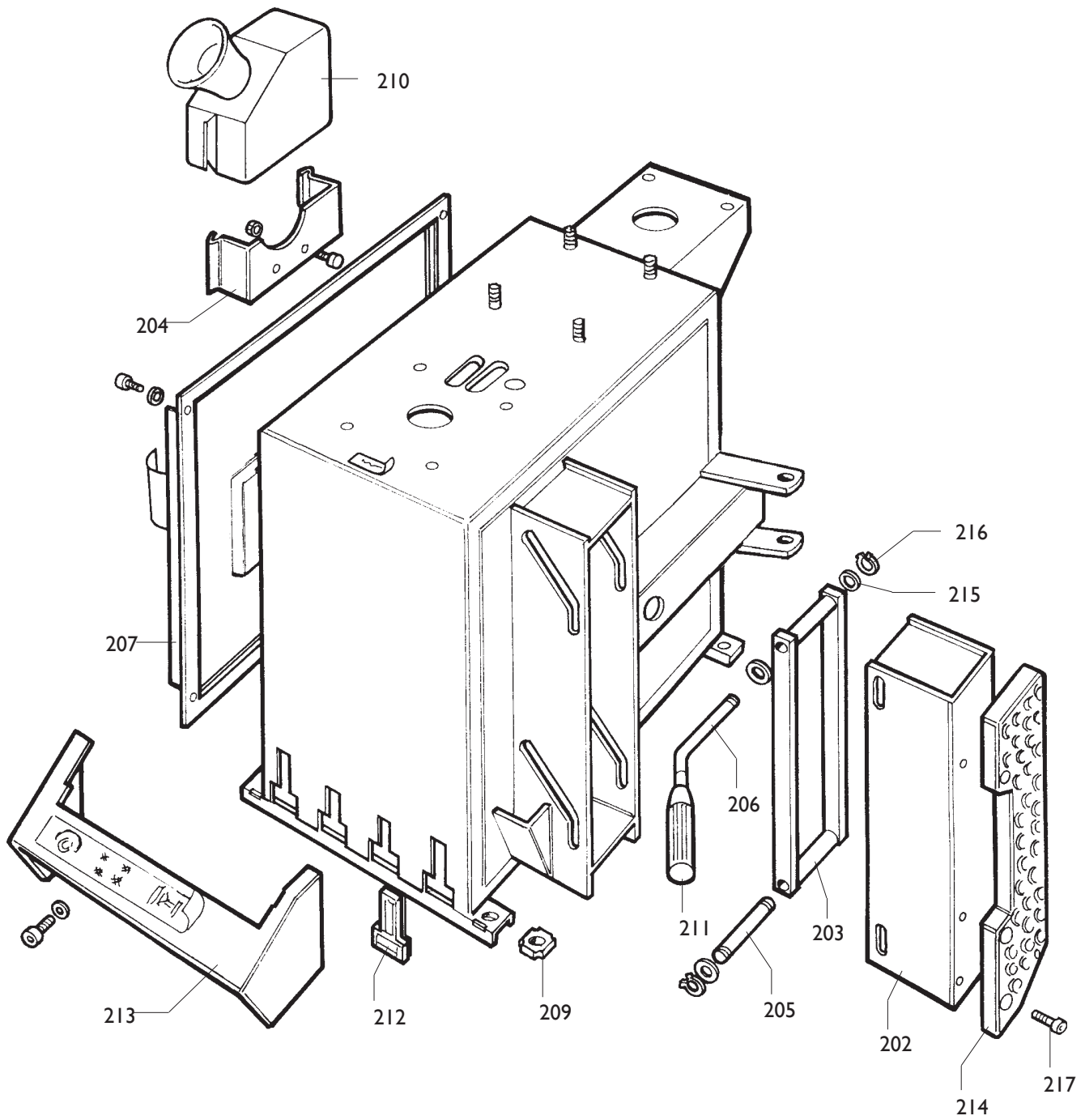
Der Katalog Ersatzteile stellt keine Genehmigung zu eigenmächtigen Eingriffen dar (mit Ausnahme jener im Handbuch beschrieben), sondern er soll den Anwender in die Lage versetzen, dem technischen Service präzise Informationen zu liefern, um die Reparaturzeiten zu verkürzen.



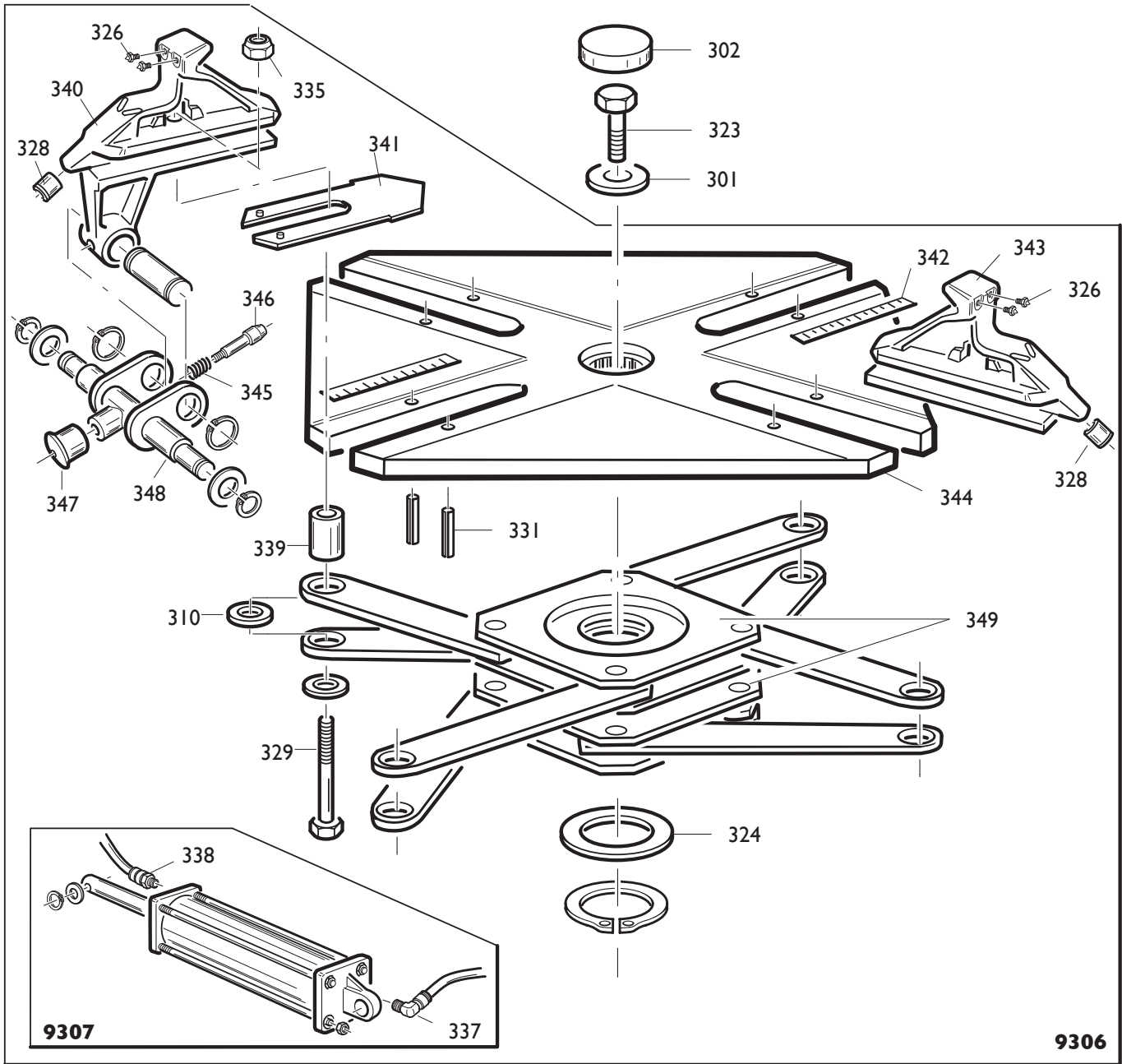
Le livret "Pièces de rechange", n'autorise pas l'utilisateur à intervenir sur les machines, sauf pour tout ce qui est clairement décrit dans le manuel d'utilisation, mais lui permet de fournir des informations précises à l'assistance technique, afin de diminuer les délais d'intervention.



0103	950318216	RONDELLA	WASHER	UNTERLEGSCHIEBE	RONDELLE
0104	900323881	PERNO	PIN	ZAPFEN	PIVOT
0105	900429971	COPERCHIO	LID	DECKEL	COUVERCLE
0106	900238779	BRACCIO	ARM	ARM	BRAS
0107	900223877	ECCENTRICO	ECCENTRIC	NOCKEN	EXCENTRIQUE
0108	900340343	BRACCIO	ARM	ARM	BRAS
0109	900341001	BLOCCAGGIO	LOCKING	SPERRE	BLOCAGE
0110	900341249	VITE	SCREW	SCHRAUBE	VIS
0111	900423889	POMOLO	KNOB	BALLENGRIFF	POMMEAU
0113	900428681	ANELLO	RING	RING	ANNEAU
0114	900440341	MOLLA	SPRING	FEDER	RESSORT
0115	900600025	ANELLO	RING	RING	ANNEAU
0118	900601019	DADO	NUT	MUTTER	ECROU
0119	900601225	VITE	SCREW	SCHRAUBE	VIS
0120	900600152	DADO	NUT	MUTTER	ECROU
0121	900600153	DADO	NUT	MUTTER	ECROU
0122	900600382	VITE	SCREW	SCHRAUBE	VIS
0123	900441580	MANOPOLA	KNOB	BALLENGRIFF	BOUTON
0124	900440942	NIPPO	CONNECTION	NIPPEL	NIPPLE
0125	900435077	VALVOLA	VALVE	VENTIL	VANNE
0126	900434818	MANOMETRO	PRESSURE GAUGE	DRUCKMESSER	MANOMETRE
0127	900449677	RACCORDO	CONNECTOR	ANSCHLUSS	RACCORD
0128	900441609	RACCORDO	CONNECTOR	ANSCHLUSS	RACCORD
0130	900338808	SUPPORTO	SUPPORT	LAGER	SUPPORT
0132	900601312	VITE	SCREW	SCHRAUBE	VIS
0133	900346273	DISTANZIALE	SPACER	ABSTANDSSTUECK	ENTRETOISE
0134	900258458	TORRETTA	MOUNT/DEMOUNT HEAD	DREHKOPF	TOURELLE
0135	900261215	PALO	SHAFT	MAST	POTEAU



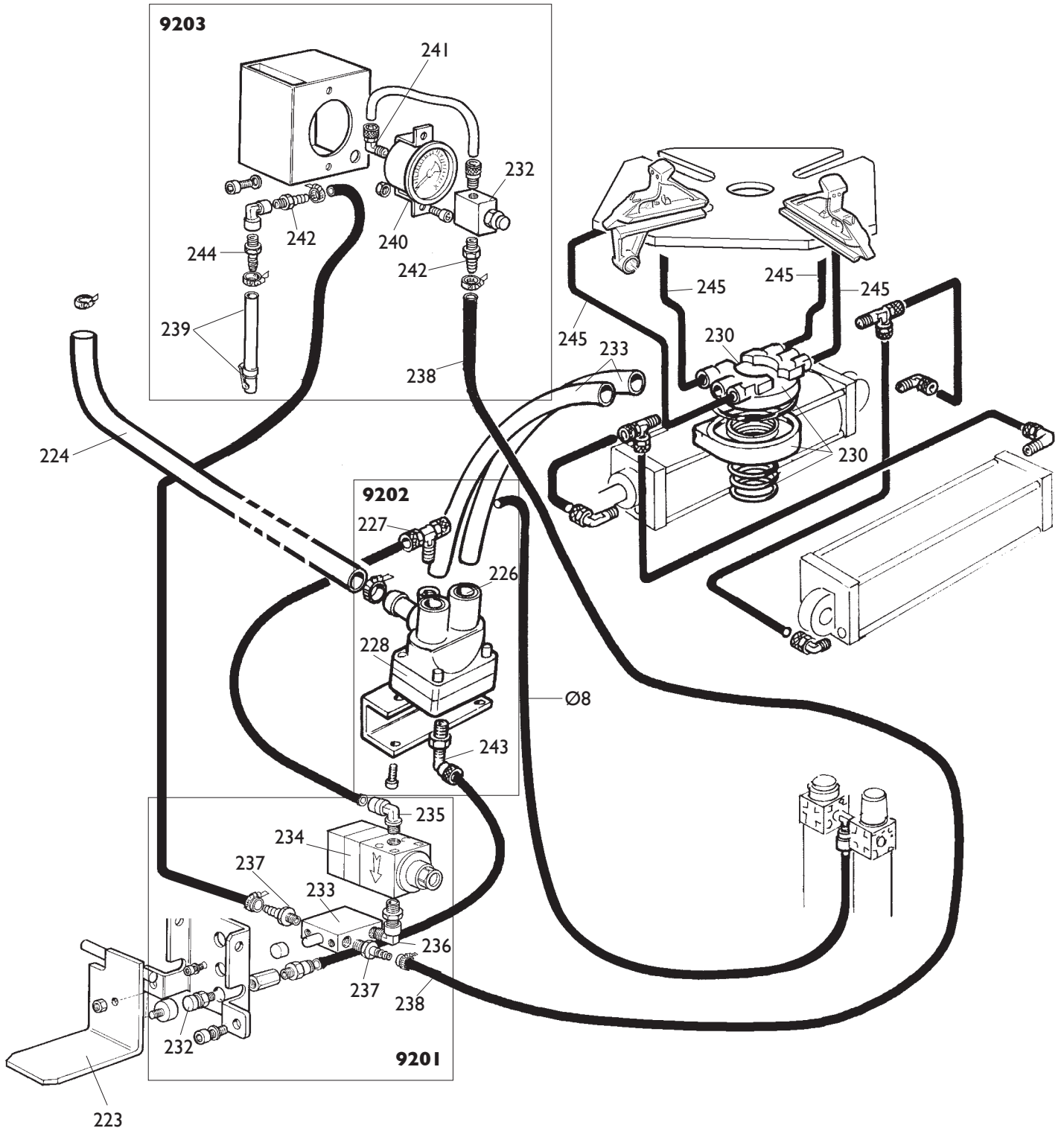
0202	900238911	PROLUNGA	EXTENSION CORD	VERLAENGERUNG	RALLONGE
0203	900239050	BIELLA	TRACE	PLEUELSTANGE	BIELLE
0204	900315522	SUPPORTO	SUPPORT	LAGER	SUPPORT
0205	900339046	PERNO	PIN	ZAPFEN	PIVOT
0206	900339456	PERNO	PIN	ZAPFEN	PIVOT
0207	900341176	COFANO	HOOD	HAUBE	COFFRE
0209	900422019	PIEDE	FOOT	FUSS	PIED
0210	900423405	CONTENITORE	CONTAINER	BEHAELTER	CONTENEUR
0211	900425219	MANOPOLA	KNOB	BALLENGRIFF	BOUTON
0212	900429006	PROTEZIONE	SHIELD	ABDECKUNG	PROTECTION
0213	900429976	PROTEZIONE	SHIELD	ABDECKUNG	PROTECTION
0214	900436199	APPOGGIO	RIM SUPPORT	STUETZE	APPUI
0215	900600215	RONDELLA	WASHER	UNTERLEGSCHIEBE	RONDELLE
0216	900601122	ANELLO	RING	RING	ANNEAU
0217	900601885	VITE	SCREW	SCHRAUBE	VIS



0300	900238548	KIT GUARNIZIONI	SEALS KIT	DICHTUNGSATZ	KIT JOINTS
0301	900323363	RONDELLA	WASHER	UNTERLEGSCHIEBE	RONDELLE
0302	900426514	TAPPO	PLUG	STOPFEN	BOUCHON
0323	900601216	VITE	SCREW	SCHRAUBE	VIS

9306	9005-100507	AUTOCENTRANTE T.I.	TURNTABLE T.I.	SPANNFUTTER T.I.	P.AUTOC. T.I.
0310	900437964	RONDELLA	WASHER	UNTERLEGSCHIEBE	RONDELLE
0324	900455082	RONDELLA	WASHER	UNTERLEGSCHIEBE	RONDELLE
0326	900339146	PUNTE DI BLOCC.	LOCKING PEAK	FESTKLEMMENSPIITZE	POINTE DE BLOCAGE
0328	900441100	RACCORDO T.I.	CONNECTOR T.I.	ANSCHLUSS T.I.	RACCORD T.I.
0329	900602199	VITE	SCREW	SCHRAUBE	VIS
0331	900601059	SPINA	PLUG	STECKER	FICHE
0335	900601276	DADO	NUT	MUTTER	ECROU
0339	900353803	BOCCOLA	BUSHING	LAGER	DOUILLE
0340	9005-100460	APPOGGIO T.I.	RIM SUPPORT T.I.	STUETZE T.I.	APPUI T.I.
0341	9004-101441	COPRIASOLA	COVER	LOCHSTOPFEN	BOUCHON
0342	9004-101456	TARGHETTA	DATA PLATE	TYPENSHIELD	PLAQUETTE
0343	9005-100459	APPOGGIO T.I.	RIM SUPPORT T.I.	STUETZE T.I.	APPUI T.I.
0344	9004-101438	PIATTO	PLATE	TELLER	PLAT
0345	9004-101422	MOLLA	SPRING	FEDER	RESSORT
0346	9004-101444	INNESTO	PIN	ZAPFEN	PIVOT
0347	9004-101443	POMOLO	KNOB	BALLENGRIFF	POMMEAU
0348	9004-101447	MANOVELLA	CRANK	KURBEL	MANIVELLE
0349	9004-101434	FLANGIA	FLANGE	FLANSCH	FLASQUE

9307	9005-100455	CILINDRO DESTRO	CYLINDER RIGHT	ZYLINDER	CYLINDRE
9307	9005-100454	CILINDRO SINISTRO	CYLINDER LEFT	ZYLINDER	CYLINDRE
0337	900441568	RACCORDO	CONNECTOR	ANSCHLUSS	RACCORD
0338	900443367	RACCORDO	CONNECTOR	ANSCHLUSS	RACCORD



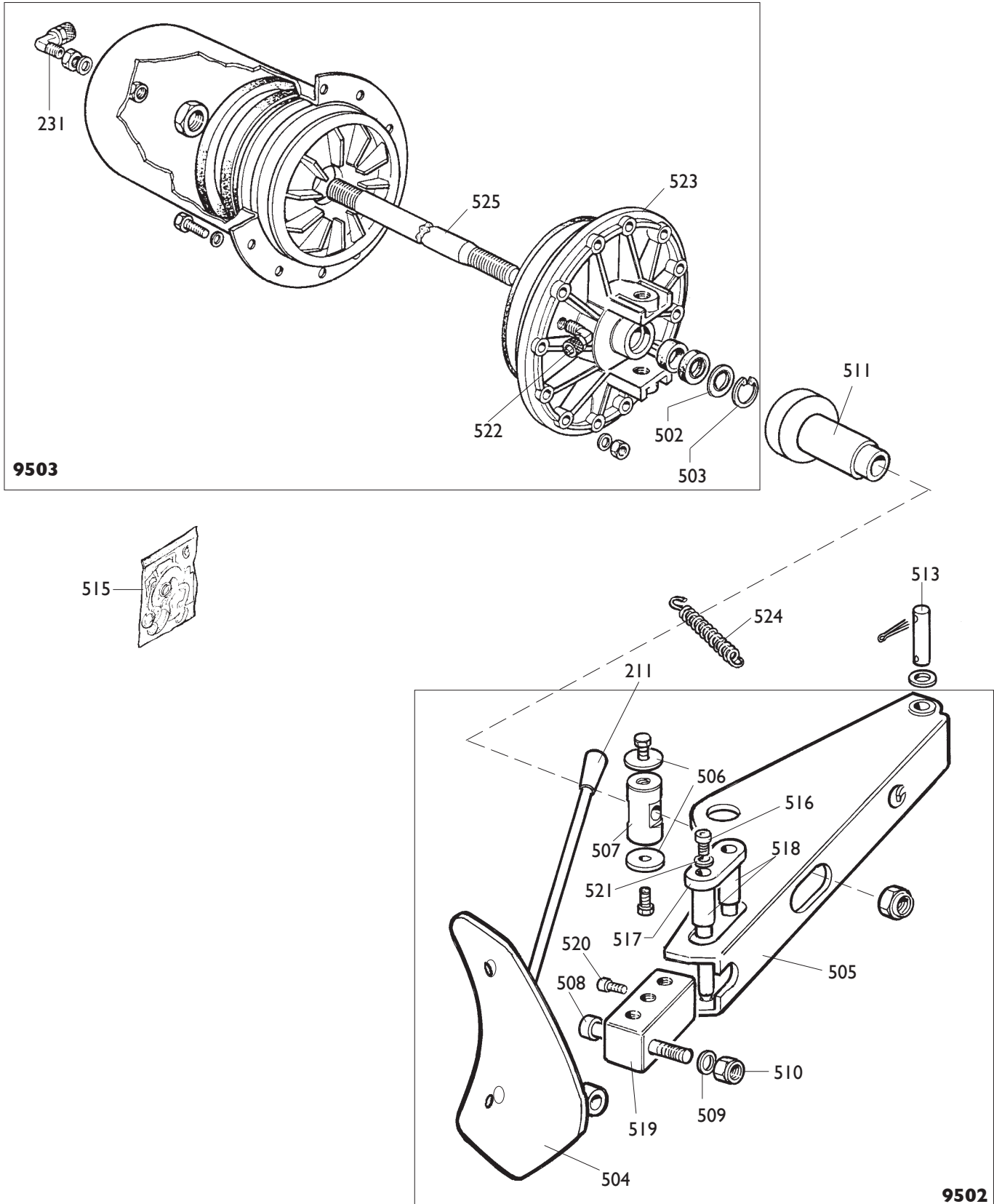
Ø6	900701684	TUBO	PIPE	ROHR	TUYAU
Ø8	900701683	TUBO	PIPE	ROHR	TUYAU
0223	900252625	PEDALE	PEDAL	PEDAL	PEDALE
0224	900346266	TUBO	PIPE	ROHR	TUYAU
0225	900342289	TUBO	PIPE	ROHR	TUYAU
0245	900704223	TUBO	PIPE	ROHR	TUYAU

9202	900242290	VALVOLA	VALVE	VENTIL	VANNE
0226	900431993	CARTUCCE	CARTRIDGE	EINSATZ	CARTOUCHE
0227	900438665	RACCORDO	CONNECTOR	ANSCHLUSS	RACCORD
0228	900243020	VALVOLA	VALVE	VENTIL	VANNE
0243	900441651	RACCORDO	CONNECTOR	ANSCHLUSS	RACCORD

0230	900241841	RACCORDO	CONNECTOR	ANSCHLUSS	RACCORD
------	-----------	----------	-----------	-----------	---------

9201	900252568	GRUPPO	ASSEMBLY	GRUPPE	GROUPE
0232	900235463	VALVOLA	VALVE	VENTIL	VANNE
0233	900452564	VALVOLA	VALVE	VENTIL	VANNE
0234	900452553	VALVOLA	VALVE	VENTIL	VANNE
0235	900450406	RACCORDO	CONNECTOR	ANSCHLUSS	RACCORD
0236	900418252	NIPPLO	CONNECTION	NIPPEL	NIPPLE
0237	900421137	INNESTO	CLUTCH	KUPPLUNG	EMBAYAGE
0238	900352614	TUBO	PIPE	ROHR	TUYAU

9203	900252600	SCATOLA	BOX	SCHACHTEL	BOITE
0232	900235463	VALVOLA	VALVE	VENTIL	VANNE
0238	900352614	TUBO	PIPE	ROHR	TUYAU
0239	900235462	TUBO	PIPE	ROHR	TUYAU
0240	900436364	MANOMETRO	PRESSURE GAUGE	DRUCKMESSER	MANOMETRE
0241	900434180	RACCORDO	CONNECTOR	ANSCHLUSS	RACCORD
0244	900429536	INNESTO	CLUTCH	KUPPLUNG	EMBAYAGE



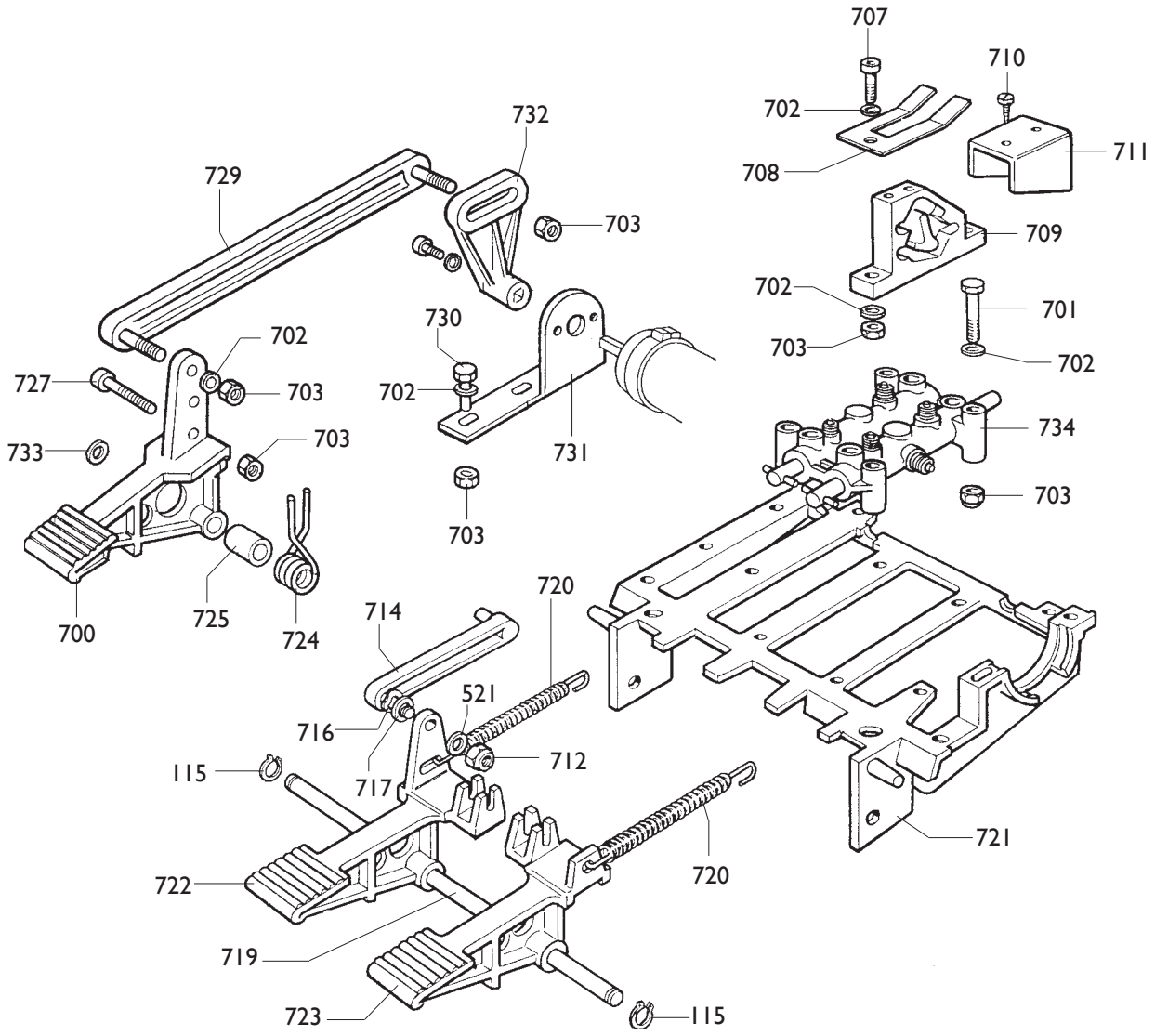
0211	900425219	MANIGLIA	HANDLE	HANDGRIFF	POIGNEE
------	-----------	----------	--------	-----------	---------

9503	9005-100484	CILINDRO	CYLINDER	ZYLINDER	CYLINDRE
0231	900441598	RACCORDO	CONNECTOR	ANSCHLUSS	RACCORD
0502	900325561	RONDELLA	WASHER	UNTERLEGSCHEIBE	RONDELLE
0503	900434031	ANELLO	RING	RING	ANNEAU
0522	900451926	RACCORDO	CONNECTOR	ANSCHLUSS	RACCORD
0523	900351905	FLANGIA	FLANGE	FLANSCH	FLASQUE

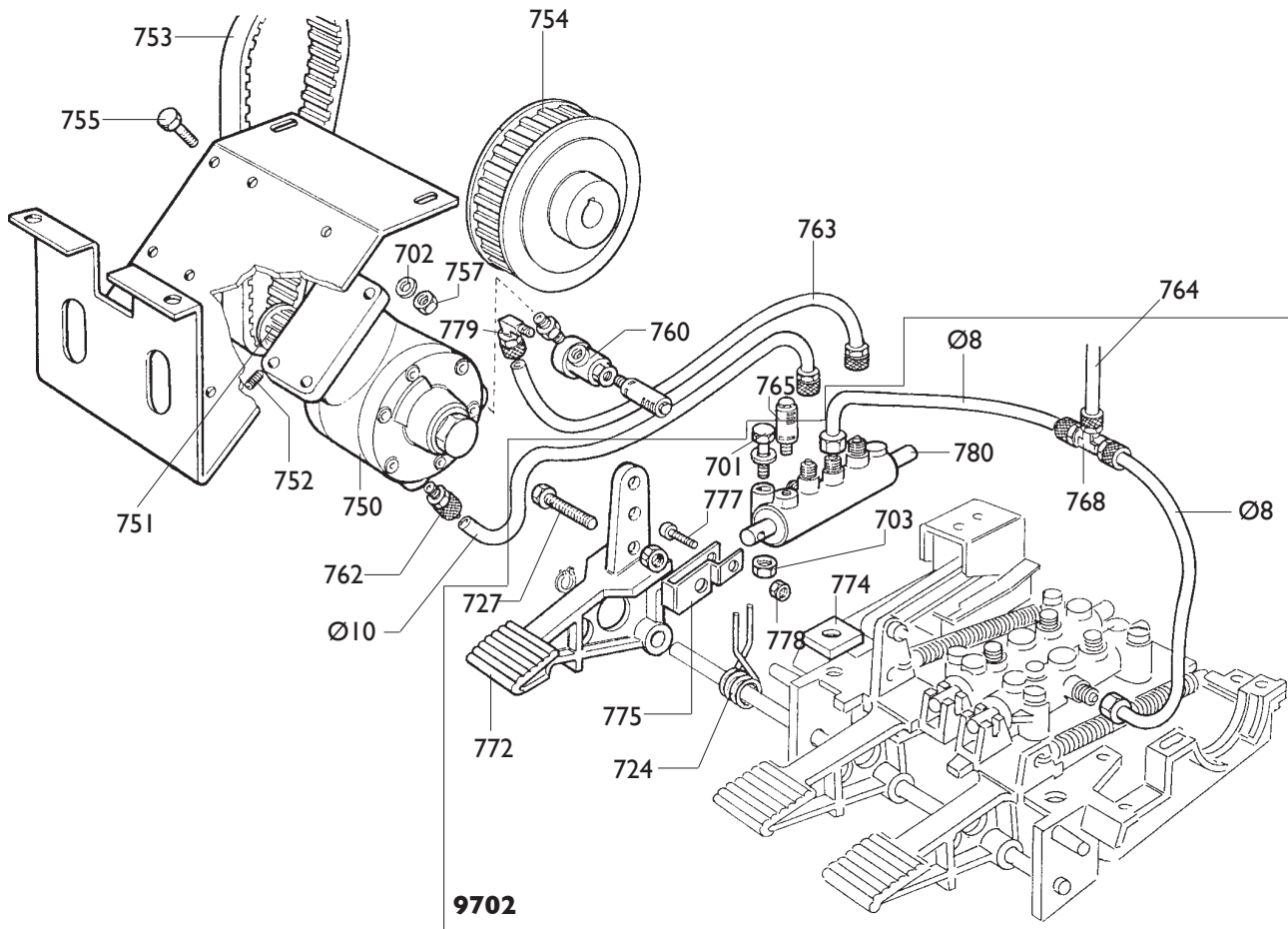
9502	900245743	BRACCIO	ARM	ARM	BRAS
0504	900224000	PALETTA	BEAD BREAKER	SCHAUFEL	PELLE
0505	900245701	BRACCIO	ARM	ARM	BRAS
0506	950323901	RONDELLA	WASHER	UNTERLEGSCHEIBE	RONDELLE
0507	900339045	PERNO	PIN	ZAPFEN	PIVOT
0508	900324008	PERNO	PIN	ZAPFEN	PIVOT
0509	900409650	RONDELLA	WASHER	UNTERLEGSCHEIBE	RONDELLE
0510	900422255	DADO	NUT	MUTTER	ECROU
0516	900600372	VITE	SCREW	SCHRAUBE	VIS
0517	900345616	FERMO	RETAINER	ANSCHLAG	ARRET
0518	900345617	PUNTE DI BLOC.	LOCKING PEAK	FESTKLEMMENSPIITZE	POINTE DE BLOC.
0519	900345618	BLOCCHETTO	BLOCK	BLOCK	BLOC
0520	900600308	VITE	SCREW	SCHRAUBE	VIS
0521	900600212	RONDELLA	WASHER	UNTERLEGSCHEIBE	RONDELLE

0511	900239061	TAMPONE	PAD	PUFFER	TAMPON
0513	900323903	FULCRO	FULCRUM	DREHPUNKT	ENTABLURE
0515	900238212	KIT GUARNIZIONI	SEALS KIT	DICHTUNGSATZ	KIT JOINTS
0524	9004-101930	MOLLA	SPRING	FEDER	RESSORT
0525	9004-101628	STELO	SHAFT	STEM	TIGE

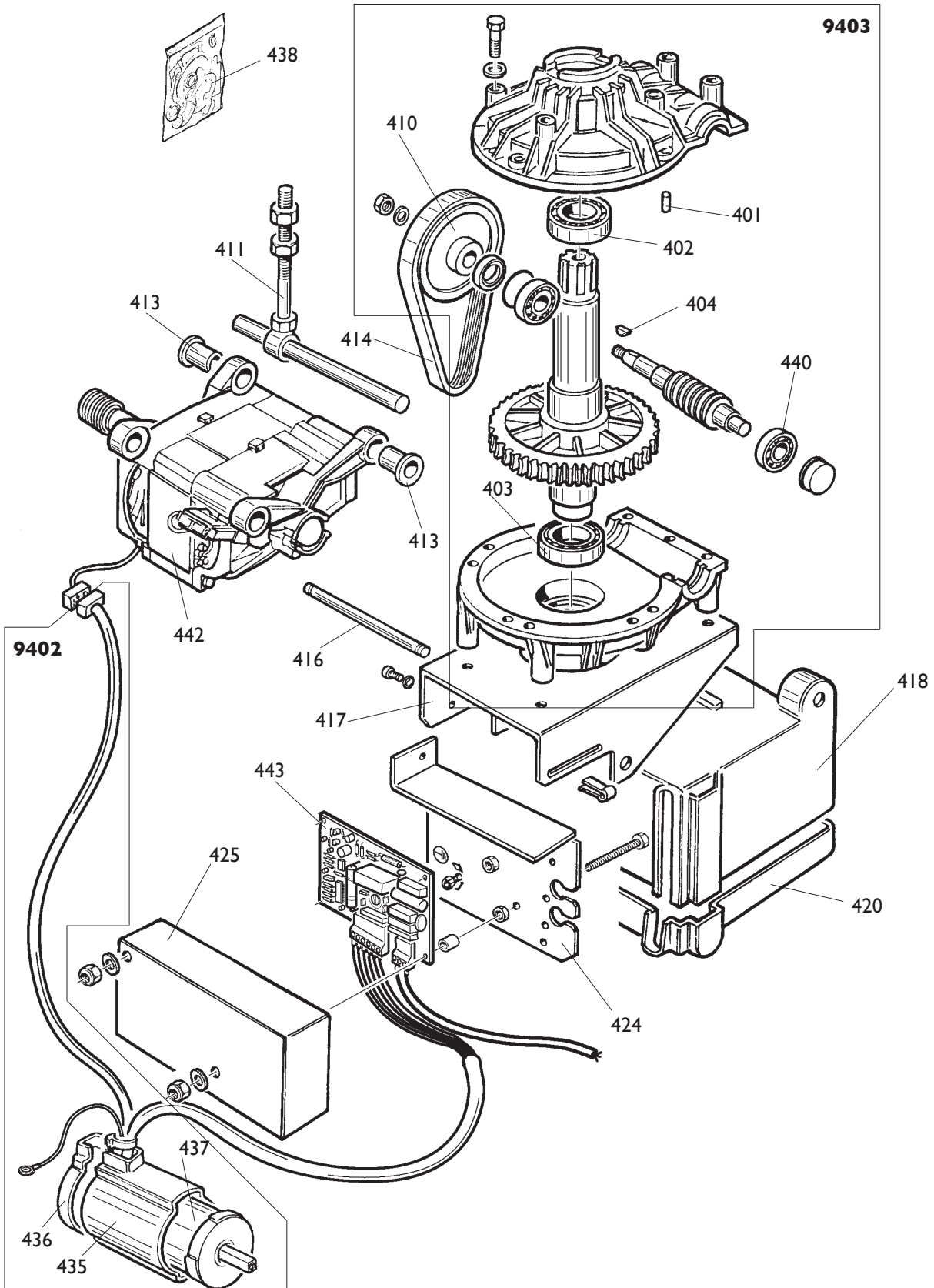
9701



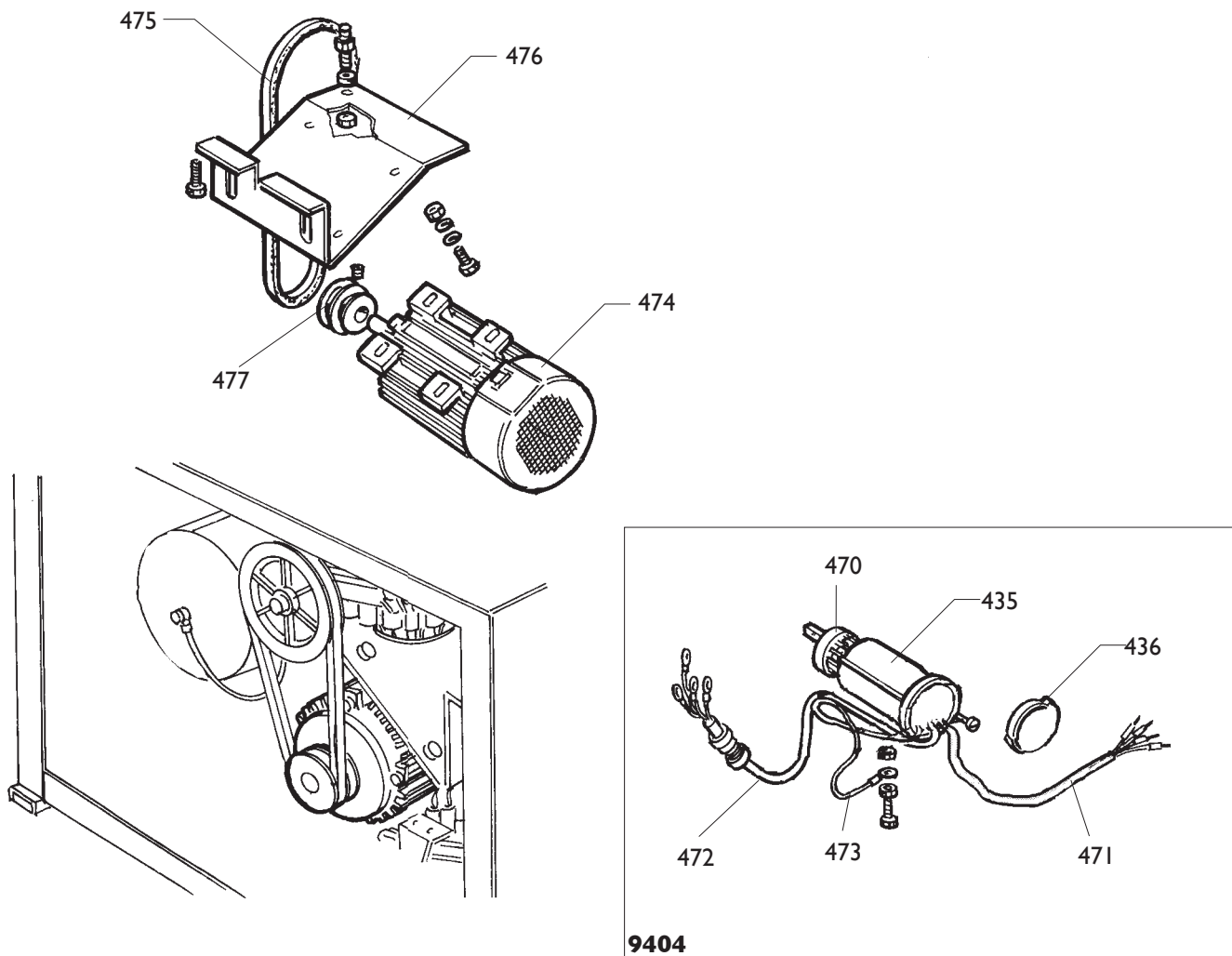
9701	900241201	PEDALIERA	CONTROL PEDAL	PEDALERIE	GR.PEDALES
0115	900600025	ANELLO	RING	RING	ANNEAU
0521	900600212	RONDELLA	WASHER	UNTERLEGSCHEIBE	RONDELLE
0700	900352009	PEDALE	PEDAL	PEDAL	PEDALE
0701	900600411	VITE	SCREW	SCHRAUBE	VIS
0702	900600211	RONDELLA	WASHER	UNTERLEGSCHEIBE	RONDELLE
0703	900601979	DADO	NUT	MUTTER	ECROU
0707	900600312	VITE	SCREW	SCHRAUBE	VIS
0708	900325019	BALESTRA	LEAF SPRING	BLATTFEDER	RESSORT A LAMES
0709	900425020	CAMMA	CAM	NOCKEN	CAME
0710	900601272	VITE	SCREW	SCHRAUBE	VIS
0711	900325018	CAVALLOTTO	U-BOLT	BUEGELBOLZEN	CRAMPILLON
0712	900601980	DADO	NUT	MUTTER	ECROU
0714	900425014	BIELLA	TRACE	PLEUELSTANGE	BIELLE
0716	900419888	RONDELLA	WASHER	UNTERLEGSCHEIBE	RONDELLE
0717	900309358	RONDELLA	WASHER	UNTERLEGSCHEIBE	RONDELLE
0719	900325583	PERNO	PIN	ZAPFEN	PIVOT
0720	900410628	MOLLA	SPRING	FEDER	RESSORT
0721	900324273	SUPPORTO	SUPPORT	LAGER	SUPPORT
0722	900325031	PEDALE	PEDAL	PEDAL	PEDALE
0723	900325032	PEDALE	PEDAL	PEDAL	PEDALE
0724	900428682	MOLLA	SPRING	FEDER	RESSORT
0725	900325050	DISTANZIALE	SPACER	ABSTANDSSTUECK	ENTRETOISE
0727	900600366	VITE	SCREW	SCHRAUBE	VIS
0729	900429009	BIELLA	TRACE	PLEUELSTANGE	BIELLE
0730	900600362	VITE	SCREW	SCHRAUBE	VIS
0731	900334758	SUPPORTO	SUPPORT	LAGER	SUPPORT
0732	900404283	LEVA	LEVER	HEBEL	LEVIER
0733	900452011	BOCCOLA	BUSHING	LAGER	DOUILLE
0734	900253298	RUBINETTO	COCK	HAHN	ROBINET



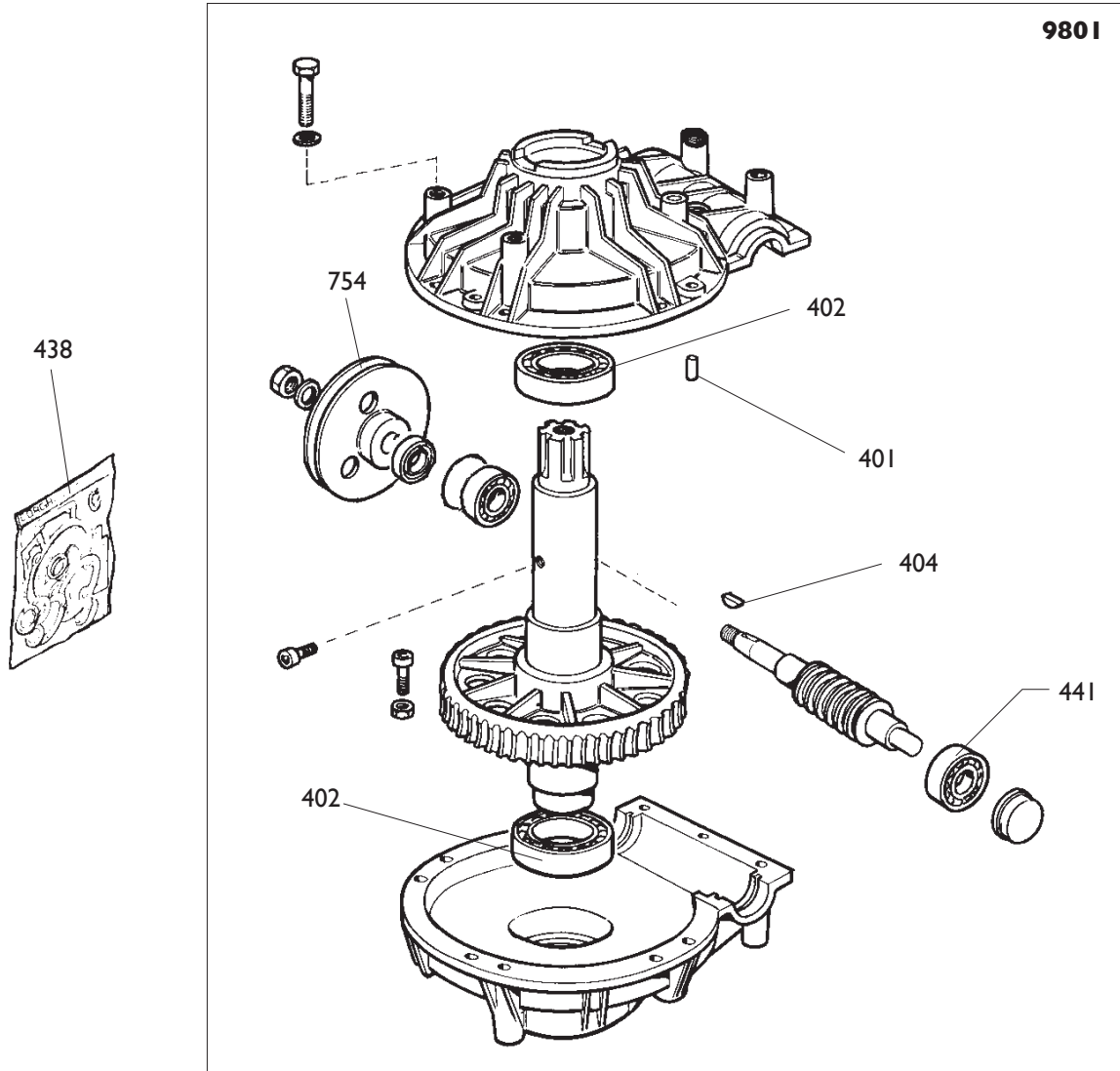
9702	900270526	PEDALIERA	CONTROL PEDAL	PEDALERIE	GR.PEDALES
0701	900600411	VITE	SCREW	SCHRAUBE	VIS
0702	900600211	RONDELLA	WASHER	UNTERLEGSCHIEBE	RONDELLE
0703	900601979	DADO	NUT	MUTTER	ECROU
0724	900428682	MOLLA	SPRING	FEDER	RESSORT
0727	900600366	VITE	SCREW	SCHRAUBE	VIS
0768	900415860	RACCORDO	CONNECTOR	ANSCHLUSS	RACCORD
0772	900229957	PEDALE	PEDAL	PEDAL	PEDALE
0774	900329058	PIASTRINA	PLATE	PLAETTCHEN	PLAQUETTE
0775	900331381	BIELLA	TRACE	PLEUELSTANGE	BIELLE
0777	900600291	VITE	SCREW	SCHRAUBE	VIS
0778	900601018	DADO	NUT	MUTTER	ECROU
0780	900258456	RUBINETTO	COCK	HAHN	ROBINET
Ø8	900701683	TUBO	PIPE	ROHR	TUYAU
Ø10	900701875	TUBO	PIPE	ROHR	TUYAU
0750	900319135	MOTORE	MOTOR	MOTOR	MOTEUR
0751	900319076	PULEGGIA	PULLEY	RIEMENSCHIEBE	POULIE
0752	900600801	VITE	SCREW	SCHRAUBE	VIS
0753	900425238	CINGHIA	BELT	RIEMEN	COURROIE
0754	900319073	PULEGGIA	PULLEY	RIEMENSCHIEBE	POULIE
0755	900600363	VITE	SCREW	SCHRAUBE	VIS
0757	900422288	DADO	NUT	MUTTER	ECROU
0760	900419141	VALVOLA	VALVE	VENTIL	VANNE
0762	950419140	RACCORDO	CONNECTOR	ANSCHLUSS	RACCORD
0764	900315273	TUBO	PIPE	ROHR	TUYAU
0765	900422682	SILENZIATORE	SILENCER	SCHALLDAEMPFER	SILENCIEUX
0779	900418350	RACCORDO	CONNECTOR	ANSCHLUSS	RACCORD



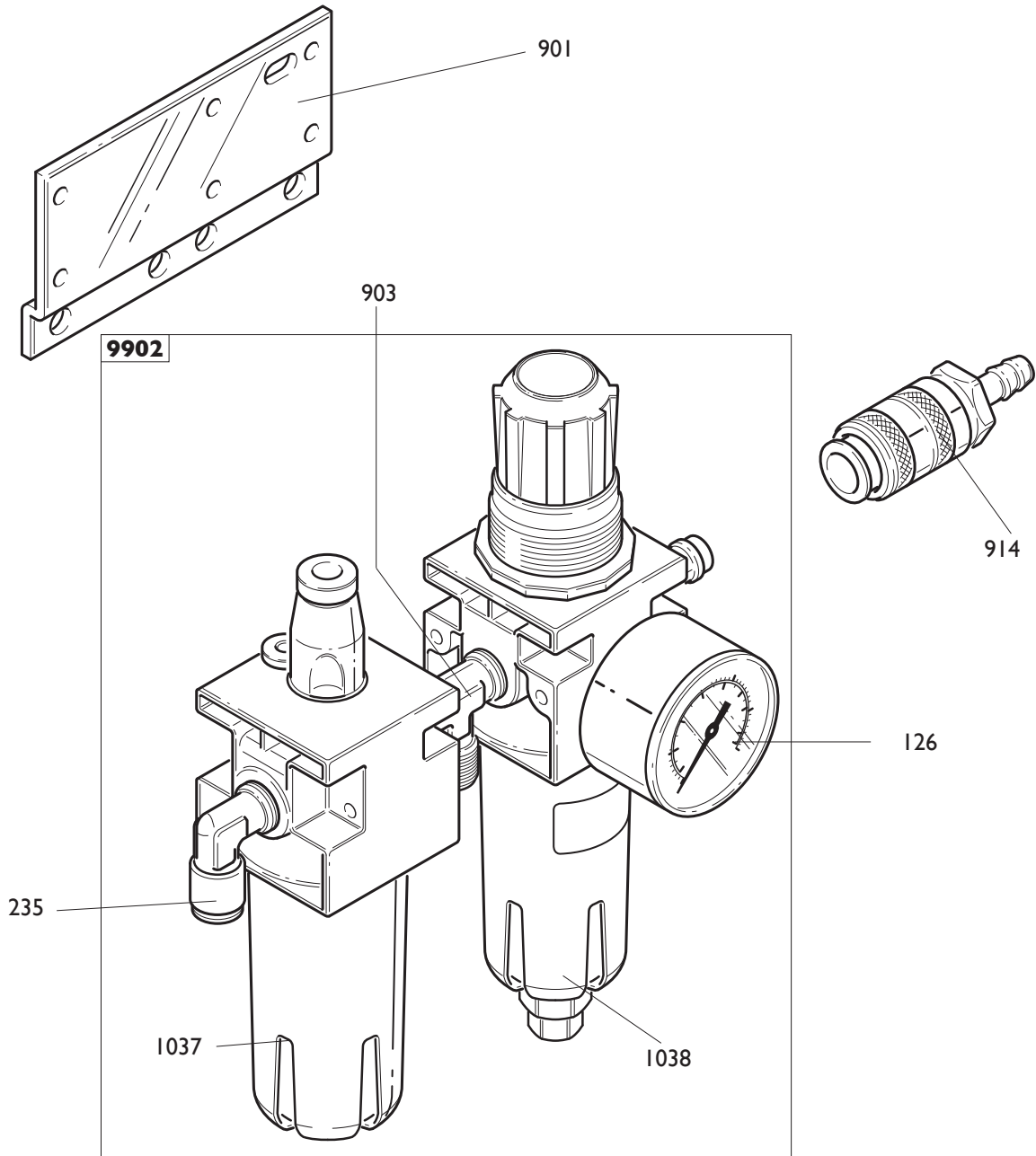
9403	900255775	RIDUTTORE	GEAR BOX	GETRIEBE	REDUCTEUR
0401	900601280	SPINA ELASTICA	PIN	SPANNSTIFT	CHEVILLE
0402	900601703	CUSCINETTO	BEARING	LAGER	ROULEMENT
0403	900601220	CUSCINETTO	BEARING	LAGER	ROULEMENT
0404	900601950	LINGUETTA	TANG	FEDERKEIL	LANGUETTE
0410	900354082	PULEGGIA	PULLEY	RIEMENSCHLEIBE	POULIE
0440	900601221	CUSCINETTO	BEARING	LAGER	ROULEMENT
0411	900246010	TIRANTE	STAY ROD	ZUGSTANGE	TIRANT
0412	900340367	PERNO	PIN	ZAPFEN	PIVOT
0413	900340365	BOCCOLA	BUSHING	LAGER	DOUILLE
0414	900454084	CINGHIA	BELT	RIEMEN	COURROIE
0416	900346012	PERNO	PIN	ZAPFEN	PIVOT
0417	900346017	SUPPORTO	SUPPORT	LAGER	SUPPORT
0418	900446016	COPERCHIO	LID	DECKEL	COUVERCLE
0420	900446013	COPERCHIO	LID	DECKEL	COUVERCLE
0424	900349299	SUPPORTO	SUPPORT	LAGER	SUPPORT
0425	900449300	COPERCHIO	LID	DECKEL	COUVERCLE
0442	900462139	MOTORE	MOTOR	MOTOR	MOTEUR
0443	900462138	SCHEDA ELETTRON.	P.C.BOARD	ELEKTR.PLATINE	FICHE ELECTR.
9402	900253549	CAVO	CABLE	KABEL	CABLE
0435	900432065	PROTEZIONE	SHIELD	ABDECKUNG	PROTECTION
0436	900430991	COPERCHIO	LID	DECKEL	COUVERCLE
0437	900453548	INVERTITORE	REVERSER	RICHTUNGSWENDER	INVERSEUR
0438	900238204	KIT GUARNIZIONI	SEALS KIT	DICHTUNGSATZ	KIT JOINTS


9404

		IMPIANTO ELETTRICO	ELECTRIC SYSTEM	ELEKT. ANLAGE	INSTALL. ELECT.
9404	900235574	3ph	3ph	3ph	3ph
0470	900421523	INVERTITORE	REVERSER	RICHTUNGSWENDER	INVERSEUR
0471	900235518	CAVO	CABLE	KABEL	CABLE
0472	900225390	CAVO	CABLE	KABEL	CABLE
0473	900225051	CAVALLOTTO	U-BOLT	BUEGELBOLZEN	CRAMPILLON
0435	900432065	PROTEZIONE	SHIELD	ABDECKUNG	PROTECTION
0436	900430991	COPERCHIO	LID	DECKEL	COUVERCLE
0474	950412959	MOTORE 3ph 400V	MOTOR 3ph 400V	MOTOR 3ph 400V	MOTEUR 3ph 400V
0475	900432009	CINGHIA	BELT	RIEMEN	COURROIE
0476	900334768	CULLA	CRADLE	WIEGE	BERCEAU
0477	900325274	PULEGGIA	PULLEY	RIEMENSCHIEBE	POULIE



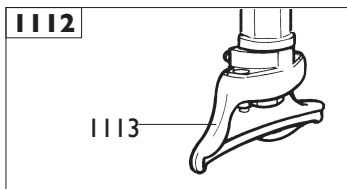
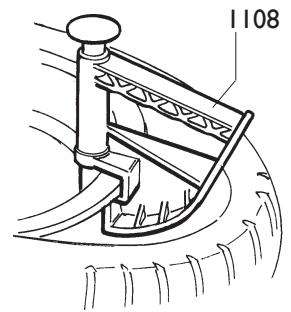
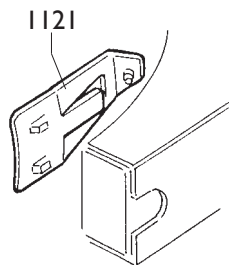
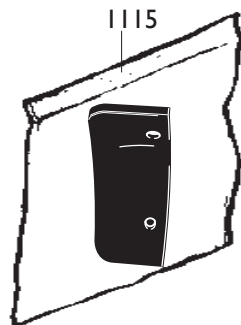
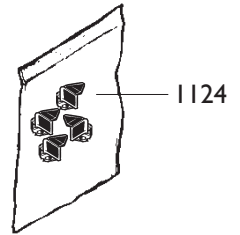
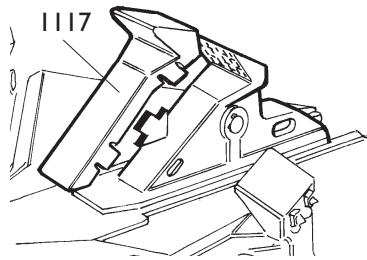
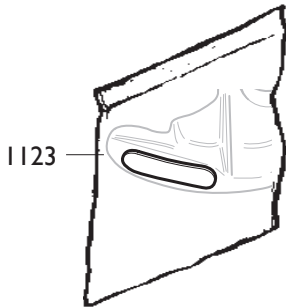
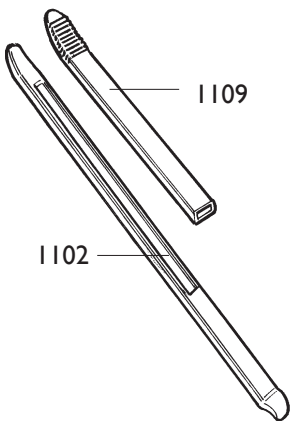
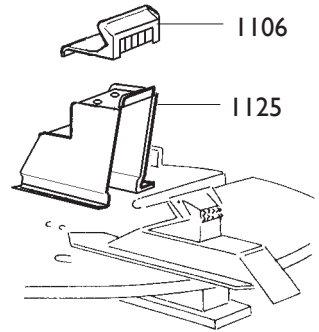
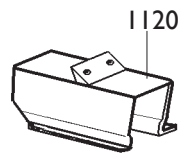
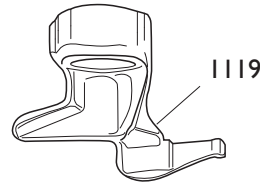
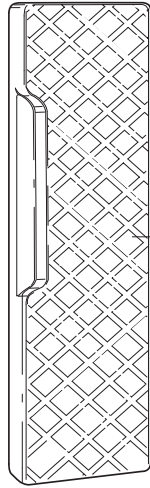
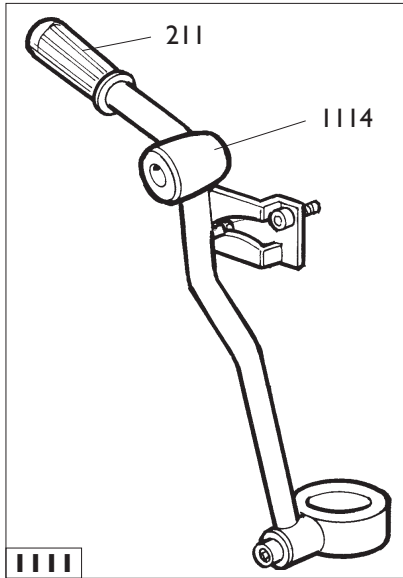
9801	900255773	RIDUTTORE	GEAR BOX	GETRIEBE	REDUCTEUR
9801	900255774	RIDUTTORE pneum.	GEAR BOX	GETRIEBE	REDUCTEUR
0401	900601280	SPINA ELASTICA	PIN	SPANNSTIFT	CHEVILLE
0402	900601703	CUSCINETTO	BEARING	LAGER	ROULEMENT
0441	9002-03131	CUSCINETTO	BEARING	LAGER	ROULEMENT
0754	900319073	PULEGGIA	PULLEY	RIEMENSCHIBE	POULIE
0754	900414344	PULEGGIA (pneum.)	PULLEY	RIEMENSCHIBE	POULIE
0803	900601950	LINGUETTA	TANG	FEDERKEIL	LANGUETTE
0404	900238204	KIT GUARNIZIONI	SEALS KIT	DICHTUNGSATZ	KIT JOINTS



0901	900335695	STAFFA	BRACKET	KLAUE	ETRIER
0903	900433873	RACCORDO	CONNECTOR	ANSCHLUSS	RACCORD

9902	900456522	FILTRO	FILTER	FILTER	FILTRE
1037	900457511	BICCHIERE	BOWL	GLAS	BOL
1038	900457512	BICCHIERE	BOWL	GLAS	BOL

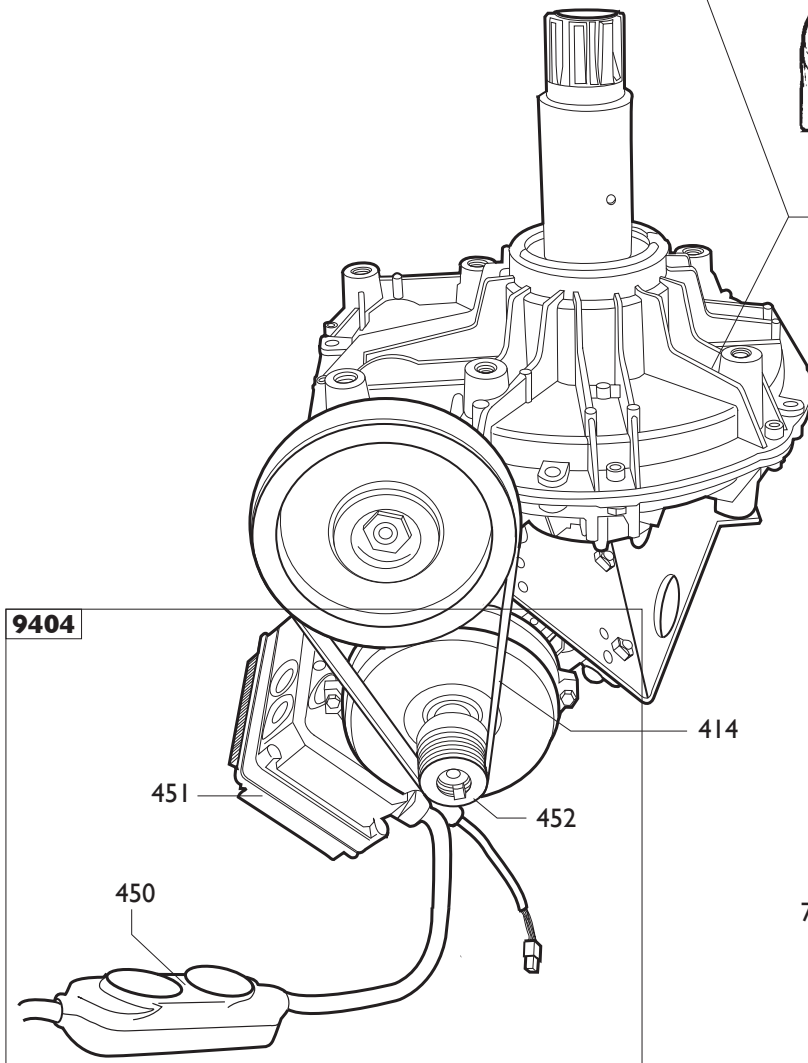
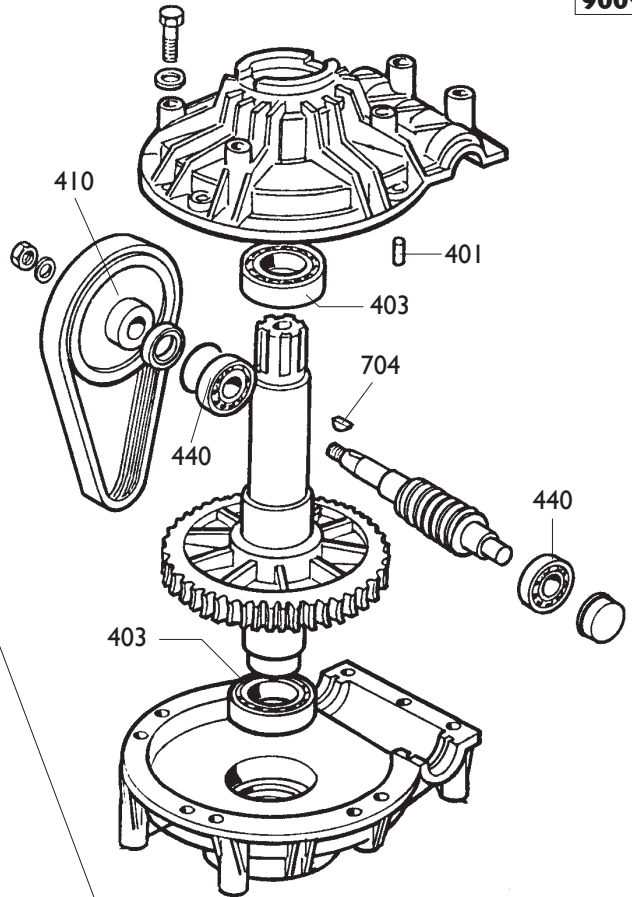
0914	900441899	GIUNTO	CUOPLING	KUPPLUNG	ACCOUPLLEMENT
0126	900434818	MANOMETRO	PRESSURE GAUGE	DRUCKMESSER	MANOMETRE
0235	900450406	RACCORDO	CONNECTOR	ANSCHLUSS	RACCORD



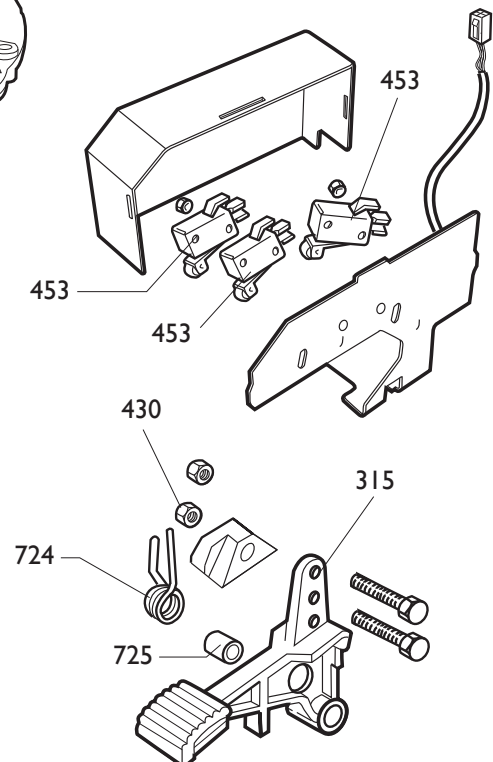
	A 9824 T.I.	Fig. N	09 / 06	Accessories
--	--------------------	---------------	----------------	--------------------

1102	900444238	LEVA	LEVER	HEBEL	LEVIER
1106	900435202	CUNEO	WEDGE	KEIL	COIN
1108	801435685	PINZA	PLIERS	ZANGE	PINCE
1109	8-11100104	PROTEZIONE	SHIELD	ABDECKUNG	PROTECTION
1115	8-11100105	PROTEZIONE	SHIELD	ABDECKUNG	PROTECTION
1117	8-11100108	PROTEZIONE	SHIELD	ABDECKUNG	PROTECTION
1118	801458663	PROTEZIONE	SHIELD	ABDECKUNG	PROTECTION
1119	801252083	TORRETTA	M/D HEAD	DREHKOPF	TOURELLE
1120	801258650	ATTACCO	ADAPTOR	HALTERUNG	ATTAQUE
1121	801260402	STALLONATORE	BEAD BREAKER	WULSTABDRUECKER	DEBALLONEUR
1123	8-11100107	INSERTO	INSERT	EINLAGE	INSERT
1124	8-11100106	INSERTO	INSERT	EINLAGE	INSERT
1125	900258649	BLOCCAGGIO	LOCKING	SPERRE	BLOCCAGE
1111	801242834	LEVA premitallone	LEVER	HEBEL	LEVIER
0211	900425219	MANOPOLA	KNOB	BALLENGRIFF	BOUTON
1114	900440600	TESTINA	HEAD	KOPF	TETE
1112	801250309	KIT torretta plastica	Plastic m/d head	Kunststoffmontag.	Tour.plastique
1113	900450310	Torretta plastica	Plastic m/d head	Kunststoffmontagekopf	Tourelle plastique

9009



9404



		MOTORE+INV	MOTOR+REV.	MOTOR+RICHTUNGSW.	MOTEUR+INV.
9404	9005-100712	200-230V Iph	200-230V Iph	200-230V Iph	200-230V Iph
0451	9004-104102	SCHEDA ELETTR.	P.C.BOARD	ELEKTR.PLATINE	FICHE ELECTR.
0450	9004-101687	CAVO	CABLE	KABEL	CABLE
0452	9004-102397	PULEGGIA	PULLEY	RIEMENSCHLEIBE	POULIE

		MOTORE+INV	MOTOR+REV.	MOTOR+RICHTUNGSW.	MOTEUR+INV.
9404	9005-101507	115V Iph	115V Iph	115V Iph	115V Iph
0450	9004-104806	CAVO	CABLE	KABEL	CABLE

0315	900252010	PEDALE	PEDAL	PEDAL	PEDALE
0725	900325050	DISTANZIALE	SPACER	ABSTANDSSTUECK	ENTRETOISE

		RIDUTTORE	GEAR BOX	GETRIEBE	REDUCTEUR
9009	9005-101783				
0401	900601280	SPINA ELASTICA	PIN	SPANNSTIFT	CHEVILLE
0403	900601220	CUSCINETTO	BEARING	LAGER	ROULEMENT
0704	900600667	LINGUETTA	TANG	FEDERKEIL	LANGUETTE
0440	900601221	CUSCINETTO	BEARING	LAGER	ROULEMENT
0410	900339870	PULEGGIA	PULLEY	RIEMENSCHLEIBE	POULIE

0724	900428682	MOLLA	SPRING	FEDER	RESSORT
0414	900440571	CINGHIA	BELT	RIEMEN	COURROIE
0453	900440874	MICROINTERUTORE	MICROSWITCH	MIKROSCHALTER	MICROINTERRUPT.
0454	900461535	BLOCCHETTO	BLOCK	BLOCK	BLOC
0430	900346008	BOCCOLA	BUSHING	LAGER	DOUILLE

A large rectangular area containing 20 horizontal dotted lines, spaced evenly down the page, intended for writing or drawing.

Il disegno è realizzato con tutti i particolari ma solo quelli codificati sono forniti come ricambi. L'Azienda si riserva la facoltà di apportare modifiche senza preavviso.



Via per Carpi, n°9 - 42015 Correggio (RE) ITALY
Tel. ++39 0522 639111 - Fax ++39 0522 639150
www.corgi.com - info@corgi.com

The drawing shows all parts but only the coded parts are supplied as spares. The Company reserves the right to make modifications without prior notice.

COMIM - Cod. 4-103962A - Rif. 901000456.