



ASSOCIATED

MODEL 6012

OPERATOR'S MANUAL

IMPORTANT SAFETY INSTRUCTIONS

1. **SAVE THESE INSTRUCTIONS.** This manual contains important safety and operating instructions for the battery charger you have purchased. You may need to refer to these instructions at a later date.
2. **CAUTION.** To reduce risk of injury, charge only wet cell, lead-acid, automotive type rechargeable batteries. Other types of batteries may burst causing personal injury and property damage.
3. Do not expose the charger to rain or snow if specifically warned on the unit not to do so.
4. Use of an attachment not recommended or sold by the battery charger manufacturer may result in a risk of fire, electric shock, or injury to persons.
5. To reduce the risk of damage to the electric plug and cord, pull by the plug rather than the cord when disconnecting the charger.
6. Make sure the cord is located so that it will not be stepped on, tripped over, or otherwise subjected to damage or stress.
7. An extension cord should not be used unless absolutely necessary. Use of an improper extension cord could result in a risk of fire and electric shock. If an extension cord must be used, make sure:
 - a. That the pins on the plug of extension cord are the same number, size, and shape as those of the plug on the charger;
 - b. That the extension cord is properly wired and in good condition; and
 - c. If the length of the extension cord is less than 25 feet, use a 16AWG cord, If 50 feet- 12AWG, 100 feet-10AWG, 150 feet-8AWG.
8. Do not operate the charger with a damaged cord or plug, replace them immediately.
9. Do not operate the charger if it has received a sharp blow, been dropped, or otherwise damaged in any way; take it to a qualified serviceman.
10. Do not disassemble the charger unless you are qualified to work on electrical products. If not, take it to a qualified serviceman when service or repair is required. Incorrect reassembly may result in risk of electric shock or fire.
11. To reduce the risk of electric shock, unplug the charger from the outlet before attempting any maintenance or cleaning. Turning off the controls will not reduce this risk.
12. **WARNING - RISK OF EXPLOSIVE GASES**
 - a. **WORKING IN VICINITY OF A LEAD-ACID BATTERY IS DANGEROUS. BATTERIES GENERATE EXPLOSIVE GASES DURING NORMAL BATTERY OPERATION. FOR THIS REASON IT IS OF UTMOST IMPORTANCE THAT EACH TIME BEFORE USING YOUR CHARGER, YOU READ THIS MANUAL AND FOLLOW THE INSTRUCTIONS EXACTLY.**
 - b. To reduce the risk of battery explosion, follow these instructions and those published by the battery manufacturer and manufacturer of any equipment you intend to use in vicinity of the battery. Review cautionary markings on these products and on the engine.
13. **PERSONAL PRECAUTIONS**
 - a. Someone should be within range of your voice or close enough to come to your aid when you work near a lead-acid battery.
 - b. Have plenty of fresh water and soap nearby in case battery acid contacts skin, clothing, or eyes.
 - c. Wear complete eye protection, and clothing protection. Avoid touching eyes while working near battery.
 - d. If battery acid contacts skin or clothing, wash immediately with soap and water. If acid enter eyes, immediately flood eyes with running cold water for at least 10 minutes and get medical attention immediately.
 - e. NEVER smoke or allow a spark or flame in vicinity of the battery or engine.
 - f. Be extra cautious to reduce risk of dropping a metal tool onto the battery. It might spark or short-circuit the battery or other electrical parts that may cause an explosion.
 - g. Remove personal metal items such as rings, bracelets, necklaces, and watches when working with a lead-acid battery. A lead-acid battery can produce a short circuit current high enough to weld a ring or the like to metal, causing a severe burn.
 - h. Use this charger for charging a LEAD-ACID battery only. It is not intended to supply power to a low-voltage electrical system other than in an automotive application. Do not use this battery charger for charging dry-cell batteries that are commonly used with home appliances. These batteries may burst and cause injury to persons and damage to property.
 - i. NEVER charge a frozen battery.
14. **PREPARING TO CHARGE**
 - a. If necessary to remove battery from vehicle to charge, always remove the grounded terminal from the battery first. Make sure all accessories in the vehicle are off, so as not to cause an arc.
 - b. Be sure the area around the battery is well ventilated while the battery is being charged. Gas can be forcefully blown away by using a piece of cardboard or other non-metallic material as a fan.
 - c. Clean the battery terminals. Be careful to keep corrosion from coming in contact with eyes.
 - d. Add distilled water in each cell until battery acid reaches level specified by the battery manufacturer. This helps purge excessive gas from cells. Do not overfill. For a battery without cell caps, carefully follow the manufacturer's recharging instructions.
 - e. Study all battery manufacturer's specific precautions such as removing or not removing the cell caps while charging and the recommended rates of charge.
 - f. Determine voltage of the battery by referring to the car owner's manual and make sure that the output voltage selector switch is set at the correct voltage. If the charger has adjustable charge rate, charge the battery initially at the lowest rate.
15. **CHARGER LOCATION**
 - a. Locate the charger as far away from the battery as the DC cables permit.
 - b. Never place the charger directly above the battery being charged; gases from the battery will corrode and damage the charger.
 - c. Never allow battery acid to drop on the charger when reading the specific gravity or filling battery.
 - d. Do not operate the charger in a closed-in area, or restrict ventilation in any way.
 - e. Do not set a battery on top of the charger.

16. DC CONNECTION PRECAUTIONS

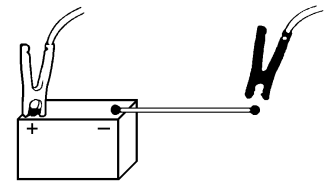
- Connect and disconnect the DC output clamps only after setting the charger switch to the OFF position and removing the AC cord from the electric outlet. Never allow the clamps to touch each other.
- Attach the DC clamps to the battery post and twist or rock back and forth several times to make a good connection. This tends to keep the clamps from slipping off the terminals and helps to reduce the risk of sparking.

17. FOLLOW THESE STEPS WHEN THE BATTERY IS INSTALLED IN A VEHICLE. A SPARK NEAR THE BATTERY MAY CAUSE A BATTERY EXPLOSION. TO REDUCE THE RISK OF A SPARK NEAR THE BATTERY:

- Position the AC and DC cords to reduce the risk of damage by the hood, door, or moving engine parts.
- Stay clear of fan blades, belts, pulleys, and other parts that can cause injury to persons.
- Check the polarity of the battery post. The POSITIVE (POS, P, +) battery post usually has a larger diameter than the NEGATIVE (NEG, N, -) post.
- Determine which post of the battery is grounded (connected) to the chassis. If the negative post is grounded to the chassis (as in most vehicles), see item "e". If the positive post is grounded to the chassis, see item "f".
- For negative-grounded vehicles, connect the POSITIVE (RED) clamp from the battery charger to the POSITIVE (POS, P, +) ungrounded post of the battery. Connect the NEGATIVE (BLACK) clamp to the vehicle chassis, heavy gauge metal part of the frame, or engine block, away from the battery. Do not connect to the carburetor, fuel lines, or sheet metal body parts.
- For positive-grounded vehicles, connect the NEGATIVE (BLACK) clamp from the battery charger to the NEGATIVE (NEG, N, -) ungrounded post of the battery. Attach the POSITIVE (RED) clamp to the vehicle chassis or engine block away from the battery. Do not connect the clamp to the carburetor, fuel lines, or sheet-metal body parts.
- When disconnecting the charger, turn the switch to OFF, disconnect the AC cord, remove the clamp from the vehicle chassis, and then remove the clamp from the battery terminal.
- See the operating instructions for length of charge information.

18. FOLLOW THESE STEPS WHEN THE BATTERY IS OUTSIDE THE VEHICLE. A SPARK NEAR THE BATTERY MAY CAUSE BATTERY EXPLOSION. TO REDUCE THE RISK OF A SPARK NEAR THE BATTERY:

- Check the polarity of the battery post. The POSITIVE (POS, P, +) post usually has a larger diameter than the NEGATIVE (NEG, N, -) post.
- Attach at least a 24 inch long 6-gauge (AWG) insulated battery cable to the NEGATIVE (NEG, N, -) battery post.
- Connect the POSITIVE (RED) charger clamp to the POSITIVE (POS, P, +) post of the battery.
- Position yourself and the free end of the cable as far away from the battery as possible, then connect the NEGATIVE (BLACK) charger clamp to the free end of cable.
- Do not face the battery when making the final connection.
- When disconnecting the charger, always do so in reverse sequence of connecting procedure, and break the first connection while standing as far away from the battery as practical.
- A marine (boat) battery must be removed and charged on shore. To charge it on board requires equipment specially designed for marine use.



19. GROUNDING AND AC POWER CORD CONNECTION INSTRUCTIONS

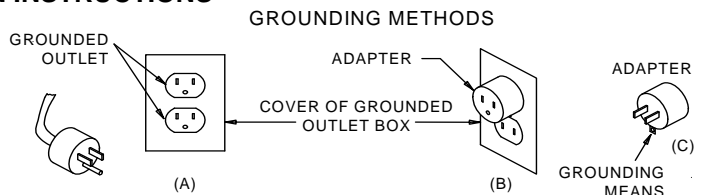
The charger should be grounded to reduce the risk of electric shock. This charger is equipped with an electric cord having an equipment grounding conductor and a grounding plug. The plug must be plugged into an outlet that is properly installed and grounded in accordance with all local codes and ordinances.

DANGER. Never alter the AC cord or plug provided - if it will not fit the outlet, have a proper outlet installed by a qualified electrician. Improper connection can result in a risk of an electric shock.

This battery charger is for use on a nominal 120-volt circuit, and has a grounding plug that looks like the plug illustrated in FIGURE (A). A temporary adapter, which looks like the adapter illustrated in FIGURE (C), may be used to connect this plug to a two-pole receptacle, as shown in FIGURE (B), until a properly grounded outlet can be installed by a qualified electrician.

DANGER. Before using an adapter as illustrated, be certain that the center screw of the outlet plate is grounded. The green-colored rigid ear or lug extending from the adapter must be connected to a properly grounded outlet - make certain it is grounded. If necessary, replace the original outlet cover plate screw with a longer screw that will secure the adapter ear or lug to the outlet cover plate and make ground connection to grounded outlet.

NOTE: USE OF AN ADAPTER IS NOT ALLOWED IN CANADA. IF A GROUNDING TYPE RECEPTACLE IS NOT AVAILABLE, DO NOT USE THIS APPLIANCE UNTIL THE PROPER OUTLET IS INSTALLED BY A QUALIFIED ELECTRICIAN.



20. LENGTH OF CHARGE

- a. Test the battery for state of charge. Do not charge if it is over 75% charged or the battery is determined to be defective.
- b. Set beginning amps charge rate for size of battery and state of charge per charts.
- c. Charge for length of time per charge.
- d. Discontinue charge when the specific gravity of electrolyte reaches 1.260 or above. A temperature compensating hydrometer should be used for this reading. Discontinue charge if the battery begins to gas excessively or if the temperature of the electrolyte reaches approximately 125°F. Do not overcharge batteries. Overcharging results in excessive water loss and eventual damage to the battery.

| BATTERY SIZE TABLE | | | |
|--------------------|-------|--------|-------|
| BATTERY SIZE | SMALL | MEDIUM | LARGE |
| Ampere Hours | 40 | 60 | 80+ |
| Reserve Capacity | 60 | 90 | 100+ |
| Cold Cranking Amps | 275 | 350 | 400+ |

| STATE OF CHARGE TABLE | | | | |
|----------------------------|-------|-------|-------|-------|
| STATE OF CHARGE | 75% | 50% | 25% | DEAD |
| Specific Gravity | 1.225 | 1.185 | 1.140 | 1.110 |
| Open Circuit Voltage-6 V. | 6.2 | 6.05 | 5.95 | 5.9 |
| Open Circuit Voltage-12 V. | 12.4 | 12.1 | 11.9 | 11.8 |
| Open Circuit Voltage-24 V. | 24.8 | 24.2 | 23.8 | 23.6 |

| CHARGE RATE Vs. MINUTES CHARGE | | | | | | | | |
|--------------------------------|---------|---------------------------------|---------|----|----|----|----|----|
| BATTERY SIZE | %CHARGE | A M P E R E S | MINUTES | | | | | |
| | | | 15 | 30 | 45 | 60 | 75 | 90 |
| SMALL | 0-25 | | 45 | 30 | 30 | 25 | 25 | 20 |
| | 25-50 | | 30 | 20 | 20 | 15 | 15 | 10 |
| | 50-75 | | 15 | 10 | 10 | 10 | 5 | 5 |
| MEDIUM | 0-25 | | 70 | 50 | 45 | 40 | 35 | 30 |
| | 25-50 | | 45 | 30 | 25 | 20 | 20 | 20 |
| | 50-75 | | 25 | 15 | 15 | 10 | 10 | 10 |
| LARGE | 0-25 | | 90 | 55 | 55 | 50 | 45 | 45 |
| | 25-50 | | 60 | 40 | 35 | 30 | 30 | 30 |
| | 50-75 | | 30 | 20 | 20 | 15 | 15 | 15 |

ASSEMBLY INSTRUCTIONS

Attach the handle to the charger using the four screws provided.

OPERATING INSTRUCTIONS

CAUTION - This battery charger must be fully assembled before operating. Failure to do so may result in risk of injury.

USE OF INSTRUMENT PANEL:

The CHARGE TIME timer has an OFF position, a CONTINUOUS CHARGE position and a timed charge range from 0 to 120 minutes.

- a. **OFF** - Always make sure the timer is in the OFF position before connecting or disconnecting the clamps from the battery. The charger will not charge with the timer in this position.
- b. **CONTINUOUS CHARGE** - This position is used for slow charging or parallel charging and will not turn the charger off. Do not use this position for fast charging.
- c. **0 to 120 MINUTES TIMED CHARGE** - The timer will automatically turn the charger off at the end of the pre-set charging time. Turn the timer past 20 before setting the desired time.

TO CHARGE BATTERIES

Make connections to the battery per the instructions in previous sections of this manual.

Determine if the battery is 6 or 12 volts and then set the CHARGE VOLTAGE switch to 6V/12LO for a 6 or 12 volt battery.

Turn the timer on and read the AMPERES meter.

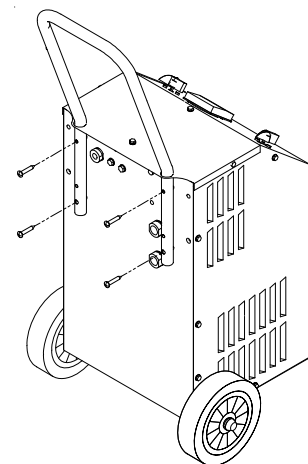
If a higher rate of charge is desired for charging 12 volt batteries, set the CHARGE VOLTAGE switch to the 12MED or 12HI position.

DO NOT charge a 6 volt battery at a setting other than 6V/12LO (damage may occur to the battery).

Set the timer to the desired minutes charge.

Length of charge should be per the above chart and instructions.

DO NOT USE THE 12V START POSITION TO CHARGE BATTERIES.



12V CRANKING ASSIST

Turn off all the lights and accessories in the stalled vehicle.

Connect the charger to the battery per previous instructions.

Set the CHARGE VOLTAGE switch to the 12HI position.

Charge the battery on 12HI for at least five minutes. Make sure the battery is accepting current before setting charger to 12V START.

Set the switch in the 12V START position. Start the vehicle with the charger connected to the battery.

NOTE: Do not crank the engine more than 20 seconds in any five minute period; excessive cranking may overheat and damage the starter.

DO NOT USE THE 12V START POSITION TO CHARGE BATTERIES.

If the vehicle fails to start, return the CHARGE VOLTAGE switch to the 12HI position.

While waiting for the starter to cool, allow the charger to continue to charge the battery.

Turn the timer to the OFF position before disconnecting the clamps.

CHARGING SULFATED BATTERIES

If your battery has sat in the discharged state for an extended period of time, it can become SULFATED. This usually is seen as a white deposit near the top of the battery. The sulfate is formed when a battery with low water levels remains discharged for an extended time. Sulfated batteries exhibit the characteristic of accepting no charge regardless of the rate of charge.

The charging method is two staged. The first stage of attempting to break down the sulfation to allow the battery to accept a charge must be closely watched to avoid excessive charge rates as the battery begins to charge and overheat. The second stage is a slow charging to restore the battery to full charge.

READ AND FOLLOW ALL PRECAUTIONS AND WARNINGS IN YOUR INSTRUCTION MANUAL BEFORE ATTEMPTING TO CHARGE SULFATED BATTERIES. FAILURE TO OBSERVE THESE WARNINGS MAY RESULT IN PROPERTY DAMAGE OR SERIOUS PERSONAL INJURY OR DEATH.

To recharge a sulfated battery:

1. Attach the battery clamps as described in the instruction manual.
2. Always use the charger's lowest rate when turning the charger on. Set the charger to the charger's highest rate for the voltage of the battery being charged.

CAUTION: NEVER CHARGE A BATTERY AT VOLTAGE RATES ABOVE THAT OF THE BATTERY.

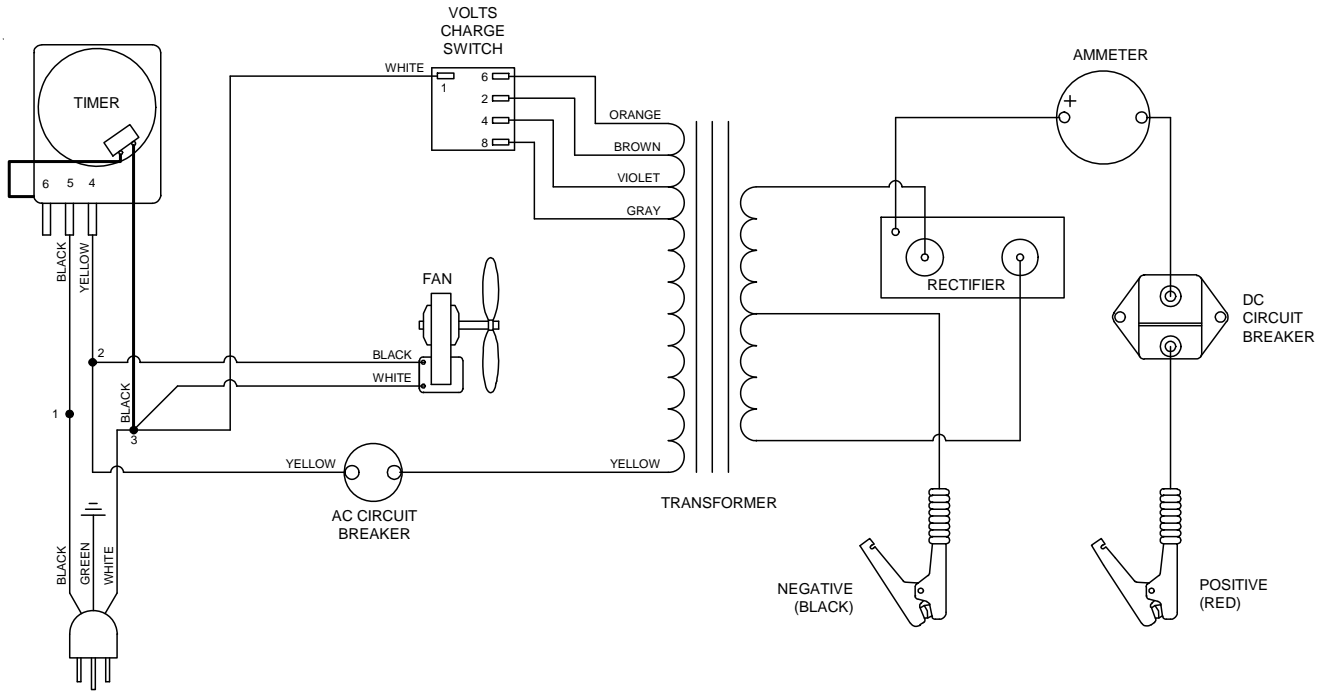
3. The battery will show little or no amperage at the start of the charging process. This will continue until the sulfation begins to break down.

CAUTION: AS THE SULFATION BREAKS DOWN, THE AMPERAGE MAY RAPIDLY RISE. CONSTANT ATTENTION MUST BE OBSERVED TO PREVENT SERIOUS OVERHEATING OF THE BATTERY.

4. Lower the charge rate to the lowest rate for the voltage of battery being charged.
5. Charge the battery at this low rate until the electrolyte reaches the fully charged state as described in the tables in your instruction manual. This may take as long as two or three days.

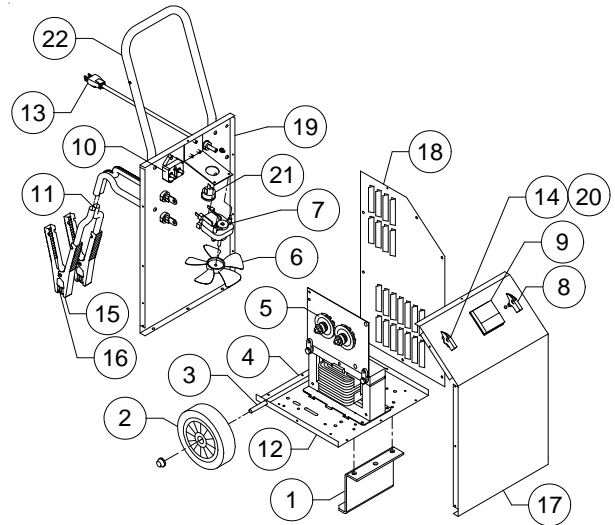
NOTE: SOME BATTERIES MAY BE SO BADLY SULFATED THEY CAN NOT BE RESTORED TO A NORMAL OPERATING CONDITION, REGARDLESS OF THE RATE OF CHARGE OR THE LENGTH OF TIME THE CHARGE IS APPLIED. IF THE BATTERY CANNOT BE RESTORED TO A FULLY CHARGED CONDITION BY A SLOW CHARGING, IT SHOULD BE REPLACED.

WIRING DIAGRAM



MODEL 6012 PARTS LIST

| <u>Item</u> | <u>Description</u> | <u>Part No.</u> |
|-------------|-------------------------------------|-----------------|
| 1 | Front leg | 610825 |
| 2 | Wheels w/nuts | 605672 |
| 3 | Axle w/nuts | 610052 |
| 4 | Transformer | 610819 |
| 5 | Rectifier | 610364 |
| 6 | Fan Blade | 610189 |
| 7 | Fan Motor | 610190 |
| 8 | Timer | 611245 |
| 9 | Ammeter | 605204 |
| 10 | DC Circuit Breaker | 610536 |
| 11 | DC Cable set | 610820 |
| 12 | Base | 610054 |
| 13 | AC Cord | 611248 |
| 14 | Switch w/knob | 611187 |
| 15 | Clamps (1pair, includes jaws) | 6202 |
| 16 | Jaw Kit (repairs 1 clamp) | 610970 |
| 17 | Front Panel | 611251 |
| 18 | Right Side Panel | 611032 |
| 19 | Back Panel | 610977 |
| 20 | Pointer Knob-Switch | 603147 |
| 21 | AC Circuit Breaker | 603597 |
| 22 | Handle | 610753 |
| Not shown | | |
| | Top Panel | 611011 |
| | Left Side Panel | 611031 |
| | Handle | 610753 |



MAINTENANCE INSTRUCTIONS

Worn clamps and jaws should be replaced. Worn parts can lead to poor connections and present a safety hazard. See parts list for part number of jaw and clamp kits. Any Maintenance or repair of this unit that involves disassembly of the cabinet should be done only by a qualified serviceman. Incorrect reassembly may result in a risk of electric shock when the unit is subsequently used.

MODÈLE 6012

MANUEL D'UTILISATION

INSTRUCTIONS DE SÉCURITÉ IMPORTANTES

1. **CONSERVER CES INSTRUCTIONS.** Le présent manuel contient des instructions de sécurité et d'utilisation importantes pour l'utilisation du chargeur de batterie que vous avez acheté et qui pourront se révéler utiles ultérieurement.
2. **AVERTISSEMENT** - Afin de réduire le risque de blessures, ne charger que des batteries au plomb rechargeables (6 cellules peu importe l'ampérage). Tout autre type de batterie peut exploser, causant des blessures corporelles et des dégâts matériels.
3. Ne pas exposer le chargeur à la pluie ou à la neige.
4. L'utilisation d'un accessoire non recommandé ou non vendu par le fabricant du chargeur de batterie peut être la cause d'incendies, d'électrocutions ou de blessures corporelles.
5. Afin de réduire les risques de dommages à la fiche électrique ou au cordon d'alimentation, débrancher le chargeur en tirant sur la fiche et non sur le cordon.
6. S'assurer que le cordon d'alimentation est placé de sorte qu'il ne puisse être écrasé, accroché ou soumis à toute autre forme de dommages ou de contraintes.
7. N'utiliser de rallonge électrique que si absolument nécessaire. L'utilisation d'une rallonge inadéquate peut être la cause d'incendies ou d'électrocutions. Si l'utilisation d'une rallonge est absolument nécessaire, s'assurer que:
 - a. les tiges de la fiche de la rallonge sont des mêmes dimension, forme et nombre que celles de la fiche du cordon d'alimentation;
 - b. la rallonge électrique est en bon état et que son câblage est adéquat; et
 - c. Si le longueur du cordon prolongateur est moins de 25 pieds, utilisez un cordon - 16AWG, 50 pieds - 12AWG, 100 pieds - 10AWG, 150 pieds - 8AWG.
8. Ne pas faire fonctionner le chargeur si le cordon ou la fiche ont été endommagés - les remplacer immédiatement.
9. Ne pas faire fonctionner le chargeur s'il a été heurté violemment, échappé ou endommagé de quelque façon que ce soit; l'apporter à un technicien qualifié.
10. Ne pas démonter le chargeur; l'apporter à un technicien qualifié lorsqu'on doit en effectuer l'entretien ou la réparation. Un remontage inadéquat peut être la cause d'électrocutions ou d'incendies.
11. Pour réduire les risques d'électrocutions, débrancher le chargeur avant d'entreprendre tout type d'entretien ou de nettoyage. Le fait d'arrêter les commandes ne réduit pas ces risques.
12. **AVERTISSEMENT - DANGER D'UN AUX GAZ EXPLOSIFS**
 - a. **IL EST DANGEREUX DE TRAVAILLER PRÈS D'UNE BATTERIE AU PLOMB EN RAISON DES GAZ EXPLOSIFS PRODUITS LORS DU FONCTIONNEMENT NORMAL DE LA BATTERIE. POUR CETTE RAISON, IL EST DE LA PLUS HAUTE IMPORTANCE DE LIRE SOIGNEUSEMENT ET D'OBSERVER LES INSTRUCTIONS DU PRÉSENT MANUEL AVANT TOUTE UTILISATION DU CHARGEUR.**
 - b. Pour réduire les risques d'explosion de la batterie, suivre les présentes instructions et celles du fabricant de la batterie ou de tout autre équipement devant être utilisé près d'une batterie. Revoir les avertissements indiqués sur ces produits et sur le moteur.
13. **PRÉCAUTIONS PERSONNELLES**
 - a. S'assurer que quelqu'un est à portée de voix ou suffisamment près pour prêter assistance lorsqu'on travaille près d'une batterie au plomb.
 - b. Avoir à la portée de la main une réserve suffisante d'eau fraîche et du savon au cas où l'acide de la batterie entrerait en contact avec la peau, les vêtements ou les yeux.
 - c. Porter des lunettes de sécurité et des vêtements de protection. Éviter de se toucher les yeux lorsqu'on travaille à proximité d'une batterie.
 - d. Si la peau ou les vêtements entrent en contact avec l'acide de la batterie, les laver immédiatement à l'eau et au savon. Si l'acide pénètre dans les yeux, les rincer immédiatement à l'eau courante froide pendant au moins 10 minutes et appeler immédiatement un médecin.
 - e. NE JAMAIS fumer ni provoquer d'étincelles ou flammes à proximité de la batterie ou du moteur.
 - f. Faire bien attention de ne pas échapper d'outil métallique sur la batterie. Cela pourrait provoquer une étincelle ou encore court-circuiter la batterie ou d'autres pièces électriques pouvant provoquer une explosion.
 - g. Enlever tout objet métallique personnel comme les bagues, bracelets, colliers et montres avant de travailler avec une batterie au plomb.
 - h. N'utiliser le chargeur que pour recharger une batterie AU PLOMB. Il n'est pas conçu pour alimenter les systèmes électriques à faible tension autres que ceux s'appliquant aux automobiles. Ne pas utiliser le chargeur pour recharger des piles sèches normalement utilisées pour les appareils électroménagers. Ces piles peuvent exploser et causer des blessures et des dommages matériels.
 - i. NE JAMAIS charger une batterie gelée.
14. **PRÉPARATION DE LA CHARGE**
 - a. S'il est nécessaire de retirer la batterie du véhicule pour la charger, toujours retirer en premier la borne mise à la masse. S'assurer que tous les accessoires dans le véhicule sont arrêtés afin de pas causer d'arc.
 - b. S'assurer de la bonne ventilation des lieux lors de la charge de la batterie. On peut dissiper les gaz en utilisant comme éventail un morceau de carton ou un article non métallique
 - c. Nettoyer les bornes de la batterie. Faire bien attention que les yeux n'entrent pas en contact avec les matières corrodées.
 - d. Ajouter de l'eau distillée dans chacune des cellules de la batterie, jusqu'à ce que le niveau d'acide dans la batterie atteigne celui qui est spécifié par le fabricant. Cela facilite la purge de gaz excédentaires des cellules. Ne pas dépasser le niveau spécifié. Suivre attentivement les instructions de charge du fabricant pour les batteries qui n'ont pas de bouchons de cellules.
 - e. Étudier toutes les précautions spécifiques du fabricant de la batterie tels celles qui concernent le retrait ou non des bouchons de cellules lors de la charge, ou encore le régime de charge recommandé.
 - f. Déterminer la tension de la batterie en se référant au manuel du véhicule et s'assurer que le sélecteur de tension de sortie du chargeur est réglé à la bonne tension. Si le chargeur offre un régime de charge réglable, charger initialement la batterie au régime de charge le plus faible.
15. **EMPLACEMENT DU CHARGEUR**
 - a. Installer le chargeur aussi loin de la batterie que les câbles c.c. le permettent.

- b. Ne jamais placer le chargeur directement au-dessus d'une batterie pendant la charge; les gaz s'échappant de la batterie peuvent corroder et endommager le chargeur.
- c. Ne jamais laisser l'acide de la batterie s'égoutter sur le chargeur pendant la lecture de densité ou le remplissage de la batterie.
- d. Ne pas utiliser le chargeur dans un endroit fermé ou mal ventilé en aucune circonstance.
- e. Ne pas placer la batterie sur le chargeur.

16. PRÉCAUTIONS RELATIVES AUX CONNEXIONS c.c.

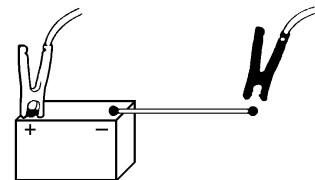
- a. Brancher et débrancher les pinces de sortie c.c. seulement après avoir mis tous les interrupteur du chargeur à la position d'arrêt et débranché le cordon d'alimentation c.a. de la prise de courant. Ne jamais les pinces se toucher.
- b. Brancher les pinces aux bornes de la batterie puis faire pivoter ou basculer la pince d'avant en arrière plusieurs fois pour obtenir un bon contact afin d'empêcher les pinces de plisser de même que pour réduire le risque d'étincelles.

17. RESPECTER LES ÉTAPES SUIVANTES LORSQUE LA BATTERIE SE TROUVE À L'INTÉRIEUR DU VÉHICULE. UNE ÉTINCELLE À PROXIMITÉ DE LA BATTERIE PEUT LA FAIRE EXPLOSER. POUR RÉDUIRE LE RISQUE D'ÉTINCELLES PRÈS DE LA BATTERIE, IL FAUT :

- a. Positionner les cordons c.c. et c.a. de façon à réduire les risques de dommages pouvant être causés par le capot, les portières, ou des pièces mobiles du moteur.
- b. Se tenir à distance des pales de ventilateur, courroies, poulies et autres pièces pouvant causer des blessures corporelles.
- c. Vérifier la polarité des bornes de la batterie. En général, la borne positive (POS, P, +) a un diamètre plus grand que celui de la borne négative (NEG, N, -).
- d. Déterminer quelle borne est mise à la masse (reliée au châssis). Si la borne négative est mise à la masse au châssis (comme dans la plupart des véhicules) voir l'article (e). Si la borne positive est mise à la masse au châssis, voir l'article (f).
- e. Pour un véhicule avec masse au négatif, brancher la pince positive (ROUGE) du chargeur de batterie à la borne positive (POS, P,+) non mise à la masse de la batterie. Brancher la pince négative (NOIR) au châssis du véhicule ou au bloc moteur à distance de la batterie. Ne jamais brancher la pince au carburateur, aux conduites d'essence, ou aux pièces du châssis faites de tôle mince. Brancher à une pièce métallique épaisse du châssis ou au bloc moteur.
- f. Pour un véhicule avec masse au positif, brancher la pince négative (NOIR) du chargeur de batterie à la borne négative (NEG, N, -) non mise à la masse, de la batterie. Brancher la pince positive (ROUGE) au châssis du véhicule ou au bloc moteur à distance de la batterie. Ne jamais brancher la pince au carburateur, aux conduites d'essence, ou aux pièces du châssis faites de tôle mince. Brancher à une pièce métallique épaisse du châssis ou au bloc moteur.
- g. Pour débrancher le chargeur, mettre les interrupteur sur "O" (off), débrancher le cordon d'alimentation c.a., débrancher la pince du châssis du véhicule, puis débrancher la pince de la borne de la batterie, dans cet ordre.
- h. Pour toute information relative au temps de charge, voir les instructions d'utilisations.

18. RESPECTER LES ÉTAPES SUIVANTES LORSQUE LA BATTERIE SE TROUVE À L'EXTÉRIEUR DU VÉHICULE. UNE ÉTINCELLE À PROXIMITÉ DE LA BATTERIE PEUT LA FAIRE EXPLOSER. POUR RÉDUIRE LE RISQUE D'ÉTINCELLES PRÈS DE LA BATTERIE, IL FAUT:

- a. Vérifier la polarité des bornes de la batterie. En général, la borne positive (POS, P, +) a un diamètre plus grand que celui de la borne négative (NEG, N, -).
- b. Relier à la borne négative (NEG, N, -) de la batterie un câble pour batterie isolé de calibre 6 (AWG) d'au moins 24 pouces de long.
- c. Brancher la pince positive (ROUGE) du chargeur à la borne positive (POS, P, +) de la batterie.
- d. Se tenir à distance de la batterie et dégager l'extrémité du câble puis brancher la pince négative (NOIR) du chargeur à l'extrémité du câble.
- e. Ne pas faire face à la batterie pour effectuer le dernier branchement.
- f. Pour débrancher le chargeur, suivre en sens inverse les étapes relatives au branchement et débrancher la première connexion tout en se tenant aussi loin que possible de la batterie.
- g. Les batteries pour bateaux doivent être démontées et chargées à terre. La charge à bord d'un bateau exige un instrument mis au point spécialement pour applications maritimes.

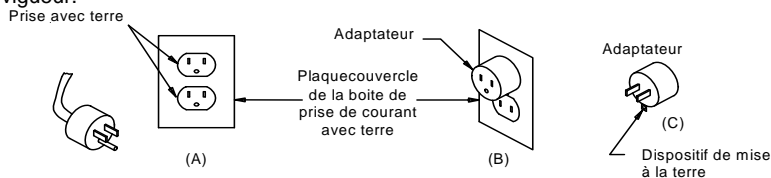


NOTA: NE PAS UTILISER COMME CHARGEUR POUR APPLICATIONS MARITIMES

19. INSTRUCTIONS DE MISE À LA TERRE ET DE CONNEXION DU CORDON C.A.

Le chargeur doit être mis à la masse afin de réduire le risque d'électrocution. Le chargeur est muni d'un cordon électrique pourvu d'un conducteur de mise à la terre de l'équipement et d'une fiche avec la terre. La fiche doit être branchée dans une prise adéquatement installée et mise à la terre conformément aux règlements et codes en vigueur.

DANGER. Ne jamais modifier le cordon d'alimentation c.a. ni la fiche fournis pour les adapter à la prise; faire installer une prise adéquate par un électricien qualifié. Une connexion inadéquate peut être cause d'électrocution. Le chargeur doit être utilisé sur un circuit d'une valeur nominale de 120 volts et possède une fiche avec la terre similaire à celle de la FIGURE A. Un adaptateur temporaire, similaire à celui de la FIGURE C, peut être utilisé pour brancher cette fiche à une prise bipolaire, tel que montré à la FIGURE B, jusqu'à ce qu'une prise avec terre adéquate soit installée par un électricien qualifié.



DANGER. Avant d'utiliser un adaptateur, tel qu'illustré, s'assurer que la vis centrale de la plaque-couvercle de la prise est mise à la terre. L'oreille rigide verte de la patte faisant saillie de l'adaptateur doit être branchée à une prise de courant mise à la terre adéquatement - s'assurer que l'oreille est mise à la masse. Si nécessaire, remplacer la vis originale de la plaque-couvercle de la prise par une vis plus longue qui saura bien retenir la patte de l'adaptateur à la plaque-couvercle et assurer la connexion de terre à la prise avec terre.

L'UTILISATION D'UN ADAPTATEUR EST INTERDITE AU CANADA. SI UNE PRISE DE COURANT AVEC MISE À LA TERRE N'EST PAS DISPONIBLE EN FAIRE INSTALLER UNE PAR UN ÉLECTRICIEN QUALIFIÉ AVANT D'UTILISER CET APPAREIL.

20. PÉRIODE DE CHARGE

- Utiliser un voltmètre ou un densimètre à compensation thermique pour déterminer l'état de charge de la batterie. Ne pas charger une batterie déjà chargée à plus de 75% ou défectueuse. Voir le tableau ÉTAT DE LA CHARGE.
- Déterminer la taille de la batterie (Petite, Moyenne ou Grande), voir tableau TAILLE DE LA BATTERIE.
- Se référer au tableau RÉGIME DE CHARGE PAR RAPPORT AU TEMPS DE CHARGE, pour déterminer le temps de charge recommandé pour la batterie, selon sa taille, son état de charge et l'ampérage de charge.
- Interrompe la charge quand la densité de l'électrolyte atteint 1.260 ou plus. La lecture doit être effectuée au moyen d'un densimètre à compensation thermique. Interrompe la charge se la batterie commence à émettre une quantité excessive de gaz ou lorsque la température de l'électrolyte atteint environ 50°C. Ne pas surcharger la batterie.

| TABLEAU-TAILLE DE LA BATTERIE | | | |
|----------------------------------|--------|---------|--------|
| TAILLE DE LA BATTERIE | PETITE | MOYENNE | GRANDE |
| Ampères-Heures (Ah) | 40 | 60 | 80+ |
| Capacité de réserve (A) | 60 | 90 | 100+ |
| Courant de démarrage à froid (A) | 275 | 350 | 400+ |

| TABLEAU-ETAT DE CHARGE | | | | |
|------------------------|-------|-------|-------|--------------|
| ÉTAT DE CHARGE | 75% | 50% | 25% | HORS TENSION |
| Densité | 1.225 | 1.185 | 1.140 | 1.110 |
| Tension à vide (6V) | 6.2 | 6.05 | 5.95 | 5.9 |
| Tension à vide (12V) | 12.4 | 12.1 | 11.9 | 11.8 |
| Tension à vide (24V) | 24.8 | 24.2 | 23.8 | 23.6 |

| RÉGIME DE CHARGE/PAR RAPPORT AU TEMPS DE CHARGE | | | | | | | |
|---|-------------|-----------------|----|----|----|----|----|
| TAILLE DE LA BATTERIE | % DE CHARGE | TEMPS (MINUTES) | | | | | |
| | | 15 | 30 | 45 | 60 | 75 | 90 |
| PETITE | 0-25 | 45 | 30 | 30 | 25 | 25 | 20 |
| | 25-50 | 30 | 20 | 20 | 15 | 15 | 10 |
| | 50-75 | 15 | 10 | 10 | 10 | 5 | 5 |
| MOYENNE | 0-25 | 70 | 50 | 45 | 40 | 35 | 30 |
| | 25-50 | 45 | 30 | 25 | 20 | 20 | 20 |
| | 50-75 | 25 | 15 | 15 | 10 | 10 | 10 |
| GRANDE | 0-25 | 90 | 55 | 55 | 50 | 45 | 45 |
| | 25-50 | 60 | 40 | 35 | 30 | 30 | 30 |
| | 50-75 | 30 | 20 | 20 | 15 | 15 | 15 |

INSTRUCTIONS D'ASSEMBLAGE

Attacher la poignée au chargeur en utilisant les quatre vis fournis.

INSTRUCTIONS D'OPERATION

ATTENTION. Ce chargeur de batterie doit être complètement assemblé avant être mis en route.

Faillir à ceci peut provoquer des accidents.

UTILISATION DU TABLEAU DE CONTROL:

Le compte minutes de charge a une position ETEINTE, une position CHARGE CONTINUS ainsi qu'une position de temps de charge de 0 à 120 minutes.

- ETEINTE** - Etre sure que le compte minutes soit toujours sur position eteinte avant de connecter ou de deconnecter les serre joints de la batterie. Le chargeur ne se mettra pas en route avant que le compte minutes soit sur cette position.
- CHARGE CONTINUS** - Cette position est utilisée pour charger lentement ou en parallele et n'atteindra pas le chargeur. Ne pas utiliser cette position pour charger rapidement.
- TEMPS DE CHARGE DE 0 A 120 MINUTES** - Le distributeur va automatiquement eteindre le chargeur a la fin du temps indique. Tourner le compte minutes a plus de 20 avant de programmer le temps desirer.

POUR CHARGER LA BATTERIE

Faire les connections a la batterie comme indique dans les instructions precedentes de ce manuel.

Determiner si la batterie est de 6 ou 12 volts, puis mettre l'interrupteur sur VOLTAGE DE LA CHARGE a 6V/12LO pour une batterie de 6 ou 12 volts.

Allumer le compte minutes et lire l'ampere metre.

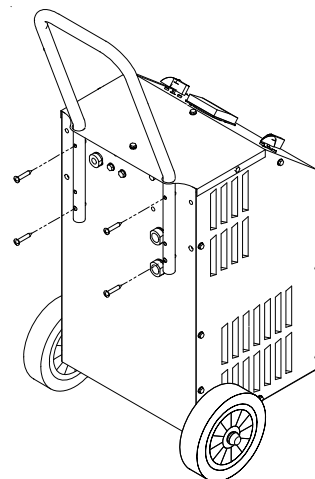
Si un plus taux plus important est desirer pour charger une batterie de 12 volts, mettre l'interrupteur VOLTAGE DE LA CHARGE sur la position 12MED ou 12HI.

Ne jamais charger la batterie de 6 volts par l'établissement d'autre que 6V/12LO (si non les risques de dommage à la batterie peuvent se produire).

Mettre le compte minutes sur le nombre de minutes de charge desirer.

Le période de charge sera fixé par le précédent tableau ainsi que les instructions dans cet manuel l'opération.

NE PAS UTILISER LA POSITION AIDE A LA MANIVELLE 12V (12V START) POUR CHARGER LA BATTERIE.



AIDE A LA MANIVELLE (12 VOLTS)

Eteindre toutes les lumieres ainsi que tous les objets subsidiaires dans le vehicule qui a cale.

Brancher le chargeur a la batterie en suivant les instructions precedentes.

Mettre l'interrupteur de la position VOLTAGE DE LA CHARGE sur la position 12HI.

Charger la batterie sur 12HI pour au moins 5 minutes. Assurez-vous que la batterie reçoit bien le courant avant de régler le chargeur au AIDE A LA MANIVELLE 12V (12V START). Mettre l'interrupteur sur la position AIDE A LA MANIVELLE 12V (12V START).

Faire demarrer le vehicule avec le chargeur branche a la batterie.

Note: Ne pas utiliser la manivelle plus de 20 secondes pour chaque periode de 5 minutes. L'exces d'utilisation de la manivelle peut surchauffer et endommager le starter.

NE PAS UTILISER LA POSITION AIDE A LA MANIVELLE 12V (12V START) POUR CHARGER LA BATTERIE.

Si le vehicule ne démarre pas, remettre sur la position 12HI.

En attendant que le starter se refroidisse, laissez le chargeur charger la batterie.

ETEINDRE le compte minutes avant de debrancher les serre joints.

CHARGER UNE BATTERIE SULFATEE.

Si la batterie a ete dechargee pour une longue periode, il se peut qu'elle devienne SULFATEE. Cela peut se voir par un depot blanc en haut de la batterie. Le sulfate se forme lorsqu'une batterie a un faible taux un eau est reste dechargee pendant une longue periode. Les batteries sulfatees ont la caracteristique de ne pas se charger indifferamment du taux de charge.

La methode de chargement a deux etapes. La premiere est d'essayer de retirer le sulfate pour permettre a la batterie de se charger. Cela doit etre surveiller prudemment pour eviter un surchauffement ainsi qu'un debit trop important. La deuxieme etape est de charger doucement pour charger completement la batterie.

LIRE ET SUIVRE TOUTES LES PRECAUTIONS DANS LE MANUAL D'INSTRUCTION AVANT D'ESSAYER DE CHARGER UNE BATTERIE SULFATEE. FAILLIR A FAIRE ATTENTION PEUT DETUIRE CE QUE VOUS AVEZ, OU VOUS BLESSEZ OU BIEN VOUS TUEZ.

POUR RECHARGER UNE BATTERIE SULFATEE.

1. Attacher les serre joints comme indique sur le manuel d'instruction.
2. Toujours utiliser le debit le plus faible du chargeur quand le chargeur est mis en route. Mettre le chargeur sur le plus fort debit pour le voltage quand la batterie se charge.

ATTENTION: NE JAMAIS CHARGER LA BATTERIE A UN DEBIT DE VOLTAGE PLUS FORT QUE CELUI DE LA BATTERIE.

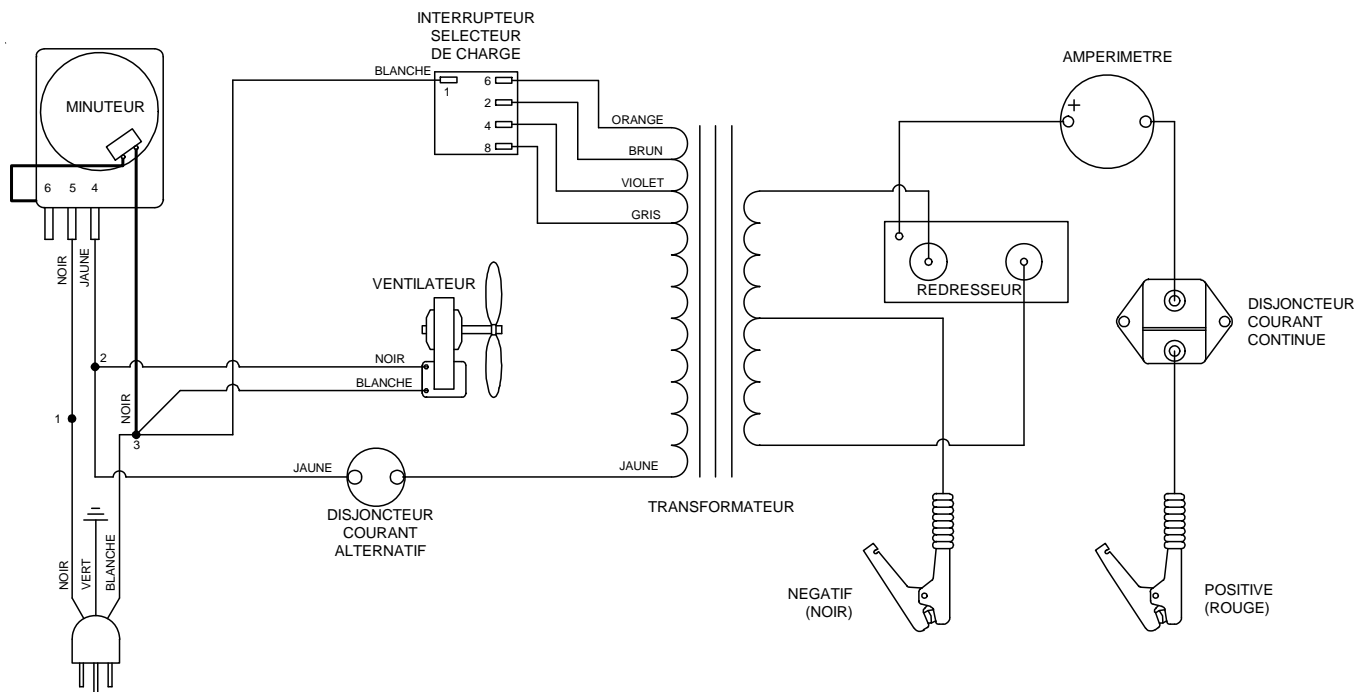
3. La batterie montera peut ou aucun amperage au debut du chargage. Cela continuera jusqu'a ce que le sulfate commence a se casser.

ATTENTION: AU FURE ET A MEASURE QUE LE SULFATE SE CASSE, L'AMPERAGE PEUT S'ACCROITRE RAPIDEMENT. UNE ATTENTION CONSTANTE DOIT ETRE PORTER POUR EVITER QUE LA BATTERIE NE CHAUFFE.

4. Baisser le taux de charge au plus faible taux de charge pour le voltage de la batterie qui est entrain de se charger.
5. Charger la batterie a ce faible taux jusqu'a ce que l'electrolyte soit completement charge comme decrit dans les tableau du manual d'instruction. Cela peut pendre de 2 a 3 jours.

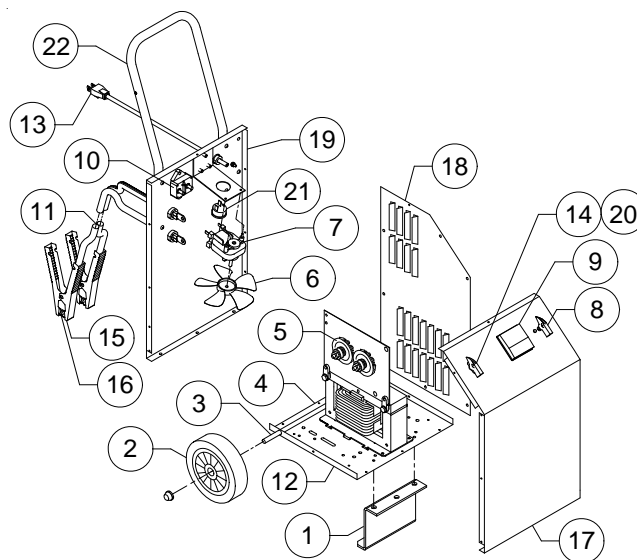
NOTE: QUELQUES BATTERIES SONT TELLEMENT SULFATEES QU'ELLES NE PEUVENT ETRE REMISES EN CONDITION D'OPERATION, INDIFFERENT DU TAUX DE CHARGE OU DE LA DUREE DE CHARGE. SI LA BATTERIE NE PEUT ETRE COMPLETEMENT RECHARGER PAR CHARGEMENT LENT, ELLE DEVRA ETRE REMPLACEE.

SCHÉMA DE CÂBLAGE



MODÈLE 6012 LISTE DES PIÈCES DE RECHANGE

| Pieces | Description | Numéro de Pièce |
|--------|--|-----------------|
| 1 | Pied avant..... | 610825 |
| 2 | Roue avec écrous..... | 605672 |
| 3 | Axe avec écrous..... | 610052 |
| 4 | Transformateur..... | 610819 |
| 5 | Redresseur..... | 610364 |
| 6 | Pale de ventilateur..... | 610189 |
| 7 | Moteur de ventilateur..... | 610190 |
| 8 | Minuterie..... | 611245 |
| 9 | Indicateur de courant de charge..... | 605204 |
| 10 | Disjoncteur C.C..... | 610536 |
| 11 | Jeu de câbles C.C..... | 610820 |
| 12 | Base..... | 610054 |
| 13 | Cordon D'alimentation C.A..... | 611248 |
| 14 | Interrupteur avec bouton..... | 611187 |
| 15 | Pincès (1 paire ave mâchoires)..... | 6202 |
| 16 | Jeu de mâchoires (répare 1 pince)..... | 610970 |
| 17 | Panneau Avant..... | 611251 |
| 18 | Panneau latéral côté droit..... | 611032 |
| 19 | Panneau Arrière..... | 610977 |
| 20 | Bouton..... | 603147 |
| 21 | Disjoncteur C.A..... | 603597 |
| 22 | Poignée..... | 610753 |
| Masqué | | |
| | Panneau Supérieur..... | 611011 |
| | Panneau latéral, côté gauche..... | 611031 |



INSTRUCTIONS D'ENTRETIEN

Les pincès, les rallonges ou les câbles utilisés doivent être remplacés. Des pièces usées peuvent causer une mauvaise connexion et par là même poser un danger pour l'utilisateur. Voir la liste des pièces de rechange pour les numéros de pièce. Tout entretien ou toute réparation de l'appareil nécessitent le démontage du boîtier doit être effectué par un technicien qualifié.

MODELO 6012

CARGADOR DE BATERIAS DE 6/12/24 VOLTIOS

MANUAL DEL OPERADOR

IMPORTANTES MEDIDAS SEGURIDAD

1. **GUARDE ESTAS INSTRUCCIONES.** Este manual contiene importantes medidas de seguridad y operatividad para el cargador de baterías que usted ha comprado. Puede necesitar acudir a ellas en algún momento.
2. **PRECAUCION.** Para reducir el riesgo de peligro, cargue solo baterías de automóviles con celdas y ácido de plomo. Otras baterías pueden arder causando daños.
3. No esponga el cargador a la lluvia o nieve si la unidad no lo especifica como posible.
4. El uso de una conexión no recomendada por el fabricante del cargador de baterías puede causar riesgo de fuego, shock eléctrico o daño a personas.
5. Para reducir el riesgo de dañar el enchufe y el cable, al desconectarlos tire del enchufe, no del cable.
6. Asegúrese de que el cable esté colocado de manera que no cause peligro de tropiezos.
7. Una extensión no debe ser usada a no ser que sea absolutamente necesario. El uso de la extensión incorrecta puede causar peligro de fuego o shock eléctrico. Si usa una extensión, asegúrese de que:
 - a. Las terminales de la extensión son del mismo número, tamaño, talla y forma que las del enchufe del cargador.
 - b. La extensión está bien conectada y en buenas condiciones eléctricas.
 - c. Si la longitud de la extensión es menor que 25 pies, use un cable de 16 AWG. Si es menor que 50 pies, 12 AWG, 100 pies, 10 AWG, 150 pies, 8 AWG.
8. No opere el cargador con el enchufe o el cable dañado, cámbielo inmediatamente.
9. No opere el cargador si ha recibido un fundido agudo, se ha caído, o ha sido dañado de cualquier otra forma, llévelo a un servicio cualificado cuando la unidad lo necesite. Un ensamblaje incorrecto puede causar riesgo de fuego o shock eléctrico.
10. No desmonte el cargador a no ser que esté cualificado para trabajar con equipos eléctricos. Si no, llévelo a un servicio cualificado cuando la unidad lo necesite. Un ensamblaje incorrecto puede causar riesgo de fuego o shock eléctrico.
11. Para reducir el riesgo de shock eléctrico, desenchufe el cargador antes de limpiarlo o hacerle cualquier tipo de reparación. Apagando los controles este riesgo no se eliminará.
12. **PRECAUCIÓN. RIESGO DE GASES EXPLOSIVOS**
 - a. TRABAJAR EN LA PROXIMIDAD DE BATERÍAS DE ÁCIDO DE PLOMO ES PELIGROSO. LAS BATERÍAS GENERAN GASES EXPLOSIVOS DURANTE SU FUNCIONAMIENTO NORMAL. POR ESTA RAZÓN, ES DE MUCHA IMPORTANCIA LEER ESTE MANUAL ANTES DE USAR EL CARGADOR.
 - b. Para reducir el riesgo de una explosión de la batería, siga estas instrucciones y las publicadas por el fabricante de la batería y el fabricante de cualquier equipo que vaya a utilizar cerca de la batería. Revise las marcas de precaución de estos productos del motor.
13. **PRECAUCIONES PERSONALES**
 - a. Al trabajar con baterías de ácido de plomo, ha de tener a alguien que pueda acudir en su ayuda en caso necesario.
 - b. Tenga suficiente agua fresca cerca por si el ácido llegase a su piel, ropa u ojos.
 - c. Lleve protección en los ojos y en la ropa. Evite tocarse los ojos cuando trabaje cerca de la batería.
 - d. Si el ácido llegase a su piel o a su ropa, lávese inmediatamente con agua y jabón. Si el ácido llega a sus ojos, aclárese con agua al menos durante diez minutos y consiga atención médica.
 - e. NUNCA fume o permita una chispa cerca de la batería o del motor.
 - f. Sea extremadamente cuidadoso de no dejar caer un instrumento metálico en la batería. Puede producir una chispa o un cortocircuito en la batería o en otra parte del sistema eléctrico.
 - g. Quítese todo tipo de metal como anillos, pulseras, relojes, etc cuando trabaje con baterías de ácido de plomo. Una batería de ácido de plomo puede producir un cortocircuito con corriente lo suficientemente alta para fundir un anillo causando quemaduras graves.
 - h. Use este cargador solo para cargar baterías de ácido de plomo. Este cargador no está destinado para dar potencia a sistemas eléctricos de bajo voltaje.
 - i. Nunca cargue una batería congelada.
14. **PREPARANDO PARA CARGAR**
 - a. Si fuese necesario sacar la batería del vehículo para cargarla siempre quite la terminal a tierra primero. Asegúrese que todos los accesorios del vehículo están apagados para no causar un arco.
 - b. Asegúrese de que el área alrededor de la batería está ventilada mientras la batería se está cargando. Usando un cartón u otro elemento que funcione como ventilador podemos quitar el gas que la batería desprende.
 - c. Limpie las terminales de la batería. Tenga cuidado de que la corrosión no llegue a sus ojos.
 - d. Añada agua destilada en cada celda hasta que el ácido de la batería llegue a los niveles especificados por el fabricante. Esto ayuda a purgar el excesivo gas de las celdas. No sobre llene. Para una batería sin celdas, siga las instrucciones de carga del fabricante.
 - e. Estudie todas las instrucciones del fabricante de la batería como quitar o no las tapas de las celdas mientras cargamos y los rangos de carga recomendados.
 - f. Determine el voltaje de la batería acudiendo al manual del automóvil y asegúrese de que el selector de salida de voltaje está marcando el voltaje adecuado. Si el cargador tiene rango de carga ajustable, cargue la batería inicialmente al rango más bajo.

15. COLOCACIÓN DEL CARGADOR

- Coloque el cargador tan lejos de la batería como los cables de corriente directa lo permitan.
- Nunca coloque el cargador directamente por encima de la batería a cargar; los gases dañarán el cargador.
- Nunca permita que el ácido de la batería pueda caer en el cargador cuando se lee la gravedad específica o al rellenar la batería.
- No opere en cargador en un área cerrada o con ventilación restringida.
- No coloque la batería encima del cargador.

16. PRECAUCIONES DE LA CONEXIÓN DC

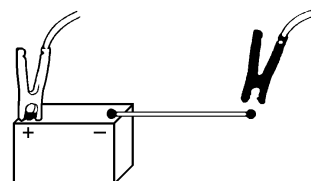
- Conecte y desconecte las pinzas de salida DC solo después de poner los interruptores en posición OFF y de quitar los cables AC de la terminal eléctrica.
- Conecte las pinzas a la terminal de la batería, ajústelas varias veces para asegurar una buena conexión. Esto previene que las pinzas se suelten y reduce el riesgo de chispas.

17. SIGA ESTOS PASOS CUANDO LA BATERÍA ESTE INSTALADA EN EL VEHÍCULO. UNA CHISPA CERCA PUEDE CAUSAR UNA EXPLOSIÓN DE LA BATERÍA. PARA REDUCIR EL RIESGO DE UNA CHISPA CERCA DE LA BATERÍA:

- Coloque los cables AC y DC de forma que no causen ningún peligro.
- Permanezca alejado de ventiladores, correas etc que pueden dañar al operador.
- Revise la polaridad de las terminales de la batería, la terminal positiva es normalmente de mayor diámetro que la negativa.
- Determine qué terminal de la batería está conectada a tierra por el chasis. Si la terminal negativa está conectada a tierra por el chasis (como en la mayoría de los vehículos), pase al punto e. Si la terminal positiva está conectada a tierra por el chasis, pase al punto f.
- Para un vehículo con conexión a tierra negativa, conecte la pinza positiva (roja) del cargador de baterías a la terminal no a tierra Positiva (Pos,P,+) de la batería. Conecte la pinza negativa (negra) al chasis del vehículo, o parte pesada de metal. No conecte la pinza al carburador o a los tubos de combustible.
- Para un vehículo con conexión a tierra positiva, conecte la pinza negativa (negra) del cargador de baterías a la terminal no a tierra Negativa (Neg,N,-) de la batería. Conecte la pinza positiva (roja) al chasis del vehículo, o parte pesada de metal. No conecte la pinza al carburador o a los tubos de combustible.
- Cuando desconecte el cargador, apague los interruptores, desconecte los cables AC, quite la pinza del chasis del vehículo y después quite las pinzas de la terminal de la batería.
- Vea las instrucciones de operación para las instrucciones de la duración de la carga.

18. SIGA ESTOS PASOS CUANDO LA BATERÍA ESTÁ FUERA DEL VEHÍCULO. UNA CHISPA CERCA DE LA BATERÍA PUEDE CAUSAR EXPLOSIÓN DE LA BATERÍA. PARA REDUCIR EL RIESGO DE UNA CHISPA CERCA DE LA BATERÍA:

- Compruebe la polaridad de los postes de la batería. El polo positivo (Pos,P,+) tiene normalmente un diámetro más ancho que el negativo (Neg, N, -).
- Conecte un cable de por lo menos 24" de largo y 6 ancho (AWG) aislado al polo negativo de la batería (Neg, N, -).
- Conecte la pinza roja positiva del cargador al polo positivo (Pos,P,+) de la batería.
- Póngase tan lejos de la batería como le sea posible-Entonces conecte la pinza negra negativa del cargador al final del cable.
- No se ponga de cara a la batería cuando haga a la conexión final.
- Cuando desconecte el cargador, hágalo siempre en el orden inverso al procedimiento de conexión, y rompa la primera conexión mientras permanece tan lejos de la batería como le sea práctico.
- Una batería marina (barco) puede quitarse y cargarse en el almacén. Para cargarse a bordo se requiere un equipo especial, diseñado para uso marino.

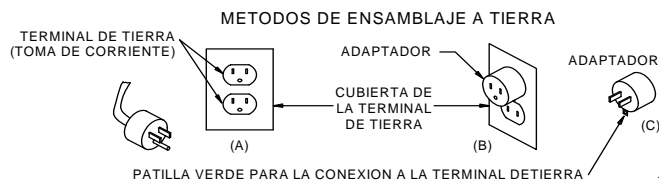


19. INSTRUCCIONES DE CONEXIÓN DEL CABLE AC A TIERRA

El cargador debería estar en tierra para reducir el riesgo de shock eléctrico. El cargador está equipado con un cable eléctrico que tiene un conductor y un enchufe de tierra. El enchufe debe ser conectado en una terminal que esté adecuadamente instalada de acuerdo con las normas locales.

PELIGRO. Nunca altere el cable AC o el enchufe-Si no se ajusta, necesita ser instalado por un electricista profesional. Conexiones incorrectas pueden causar riesgo de shock eléctrico. El cargador de la batería es para uso de circuitos de 120 voltios y tiene un enchufe de tierra como aparece en la FIGURA A. Un adaptador temporal como aparece en la FIGURA C, puede usarse para conectar el enchufe a un receptáculo de dos polos, como se muestra en la FIGURA B, hasta que una terminal de tierra adecuada pueda ser instalada por un electricista cualificado.

PELIGRO. Antes de usar el adaptador, asegúrese de que el tornillo del centro de la terminal está en tierra. La reja de color verde del enchufe que sale del adaptador, debe ser conectada a una terminal a tierra adecuada-Asegúrese de que está en tierra. Si es necesario, cambie el tornillo original del plato de la terminal por un tornillo más largo, que asegurará la oreja del adaptador a la terminal y hará la conexión a tierra con la terminal a tierra.



20. DURACIÓN DE LA CARGA

- Mida la batería para ver el estado de carga. No cargue si está cargada más del 75% o si es defectuosa.
- Coloque el rango de carga de amperaje según el tamaño de la batería y el estado de carga de la misma.
- Marque los minutos de carga y empiece la carga de amperios.
- Desconecte la carga cuando la gravedad específica del electrolito alcanza 1.260 o superior. Un hidrómetro compensador de la temperatura debería usarse para esta lectura. Desconecte la carga si la batería empieza a liberar gases excesivamente o cuando la temperatura del electrolito alcanza 125 grados F. No sobrecargue las baterías. La sobrecarga causará una excesiva pérdida de agua y dañará la misma.

| TABLA DEL TAMAÑO DE LA BATERIA | | | |
|--------------------------------|---------|---------|--------|
| TAMAÑO DE LA BATERIA | PEQUEÑA | MEDIANA | GRANDE |
| Horas de Amperaje | 40 | 60 | 80+ |
| Capacidad de reserva | 60 | 90 | 100+ |
| Amperios de cranking frio | 275 | 350 | 400+ |

| TABLA DEL ESTADO DE CARGA | | | | |
|----------------------------------|-------|-------|-------|--------|
| ESTADO DE CARGA | 75% | 50% | 25% | MUERTA |
| Gravidad Especifica | 1.225 | 1.185 | 1.140 | 1.110 |
| Voltage del circuito abierto 6V | 6.2 | 6.05 | 5.95 | 5.9 |
| Voltage del circuito abierto 12V | 12.4 | 12.1 | 11.9 | 11.8 |
| Voltage del circuito abierto 24V | 24.8 | 24.2 | 23.8 | 23.6 |

| RELACION ENTRE LA CAPACIDAD Y LOS MINUTOS DE CARGA | | | | | | | | |
|--|------------|---------------|---------|----|----|----|----|----|
| TAMAÑO DE LA BATERIA | % DE CARGA | A M P E R E S | MINUTOS | | | | | |
| | | | 15 | 30 | 45 | 60 | 75 | 90 |
| PEQUEÑA | 0-25% | | 45 | 30 | 30 | 25 | 25 | 20 |
| | 25-50% | | 30 | 20 | 20 | 15 | 15 | 10 |
| | 50-75% | | 15 | 10 | 10 | 10 | 5 | 5 |
| MEDIANA | 0-25% | | 70 | 50 | 45 | 40 | 35 | 30 |
| | 25-50% | | 45 | 30 | 25 | 20 | 20 | 20 |
| | 50-75% | | 25 | 15 | 15 | 10 | 10 | 10 |
| GRANDE | 0-25% | | 90 | 55 | 55 | 50 | 45 | 45 |
| | 25-50% | | 60 | 40 | 35 | 30 | 30 | 30 |
| | 50-75% | | 30 | 20 | 20 | 15 | 15 | 15 |

INSTRUCCIONES DE ENSAMBLAJE

Conecte el mango a la parte de atrás del cargador usando los cuatros tornillos provistos.

INSTRUCCIONES DE FUNCIONAMIENTO

PELIGRO. El cargador de la batería debe ser ensamblado completamente antes de usarlo. Si no es así, puede causar daños a su persona.

USO DEL PANEL DE INSTRUMENTOS:

EL CRONÓMETRO DE MINUTOS DE CARGA tiene una posición de apagado, una posición de carga continua y un tiempo de carga que va de cero a 120 minutos.

- APAGADO "OFF":** Asegúrese siempre de que el cronómetro está en la posición de apagado antes de conectar o desconectar las pinzas de la batería. El cargador no cargará con el cronómetro en esta posición.
- CARGA CONTINUA "CONTINUOUS CHARGE":** Esta posición se usa para cargas lentas o para la carga en paralelo y el cargador no se apaga. No use esta posición para cargas rápidas.
- DE CERO A 120 MINUTOS:** El cronómetro apagará automáticamente el cargador cuando el tiempo de carga seleccionado haya pasado. Gire el cronómetro pasado los 20 minutos antes de poner el tiempo deseado.

PARA CARGAR LAS BATERÍAS

Efectúe las conexiones a la batería siguiendo las instrucciones de las secciones anteriores.

Determine si la batería es de 6 o 12 voltios y sitúe entonces el interruptor de VOLTAGE DE CARGA en 6V/12LO para una batería de 6 o 12 voltios.

Encienda el temporizador y lea el medidor de AMPERIOS.

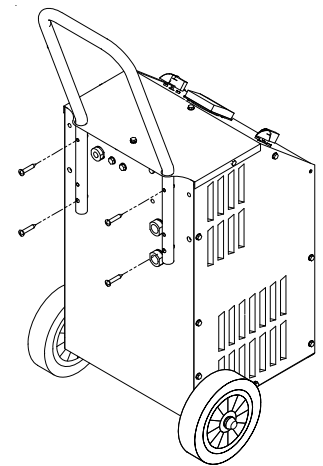
Si se desea un nivel de carga superior para cargar baterías de 12 voltios, sitúe el interruptor de VOLTAGE DE CARGA en la posición 12MED o 12HI.

NO cargue una batería de 6 voltios en otra posición que no sea 6V/12LO (la batería podría dañarse).

Programa el temporizador de acuerdo con los minutos de carga deseados.

La duración de la carga debe ser determinada usando la tabla provista.

NO UTILICE LA POSICIÓN DE 12V START PARA CARGAR BATERÍAS.



CRANKING ASSIST DE 12 VOLTIOS

Apague las luces y accesorios del vehículo. Conecte el cargador a la batería siguiendo las instrucciones anteriores.

Coloque el interruptor de VOLTAGE DE CARGA en la posición de 12HI. Cargue la batería en 12HI durante al menos 5 minutos. Asegúrese de que la batería esté aceptando corriente antes de poner el cargador en modalidad de arranque ("12V START"). Coloque el interruptor en la posición 12V START.

Arranque el vehículo con el cargador conectado a la batería.

NOTA: No intente arrancar el motor durante más de 20 segundos en períodos de 5 minutos; podría causar un sobrecalentamiento o daño al motor de arranque.

NO UTILICE LA POSICIÓN DE 12V START ASSIST PARA CARGAR LAS BATERÍAS.

Si el vehículo no arranca cambie el interruptor de VOLTAGE DE CARGA a la posición de 12HI.

Mientras espera que se enfríe el motor de arranque, deje que el cargador siga cargando la batería.

Apague el temporizador antes de desconectar las pinzas.

CARGANDO BATERÍAS SULFATADAS

Si su batería ha estado descargada por un período extendido de tiempo, puede estar sulfatada. Esto usualmente se ve como depósitos blancos cerca de la parte de arriba de la batería. El sulfato se forma cuando una batería con niveles bajos de agua se queda descargada por un tiempo extendido. Las baterías sulfatadas tienen la característica de no aceptar carga, sin importar la medida de esta que se aplique.

El método de carga tiene dos etapas. La primera etapa es intentar descomponer el sulfato para permitir que la batería acepte la carga. Tiene que hacerse con cuidado para evitar una medida de carga excesiva cuando la batería empieza a cargarse y que se sobrecaliente. La segunda etapa es un cargamiento despacio para permitir a la batería que se cargue completamente.

LEA Y SIGA TODAS LAS PRECAUCIONES Y AVISOS EN SU MANUAL DE INSTRUCCIONES ANTES DE INTENTAR CARGAR LAS BATERÍAS SULFATADAS. NO CUMPLIR ESTOS AVISOS PUEDE RESULTAR EN DAÑOS DE PROPIEDAD, SERIOS DAÑOS PERSONALES O INCLUSO LA MUERTE.

Para recargar una batería sulfatada:

1. Sujete las pinzas de la batería como está explicado en el manual de instrucciones.
2. Use siempre la medida más baja del cargador cuando lo encienda. Ponga el cargador en la medida más alta para el voltaje del cargador que está siendo cargado.

AVISO: NUNCA CARGUE UNA BATERÍA A UN VOLTAGE SUPERIOR AL DE LA BATERÍA EN SÍ.

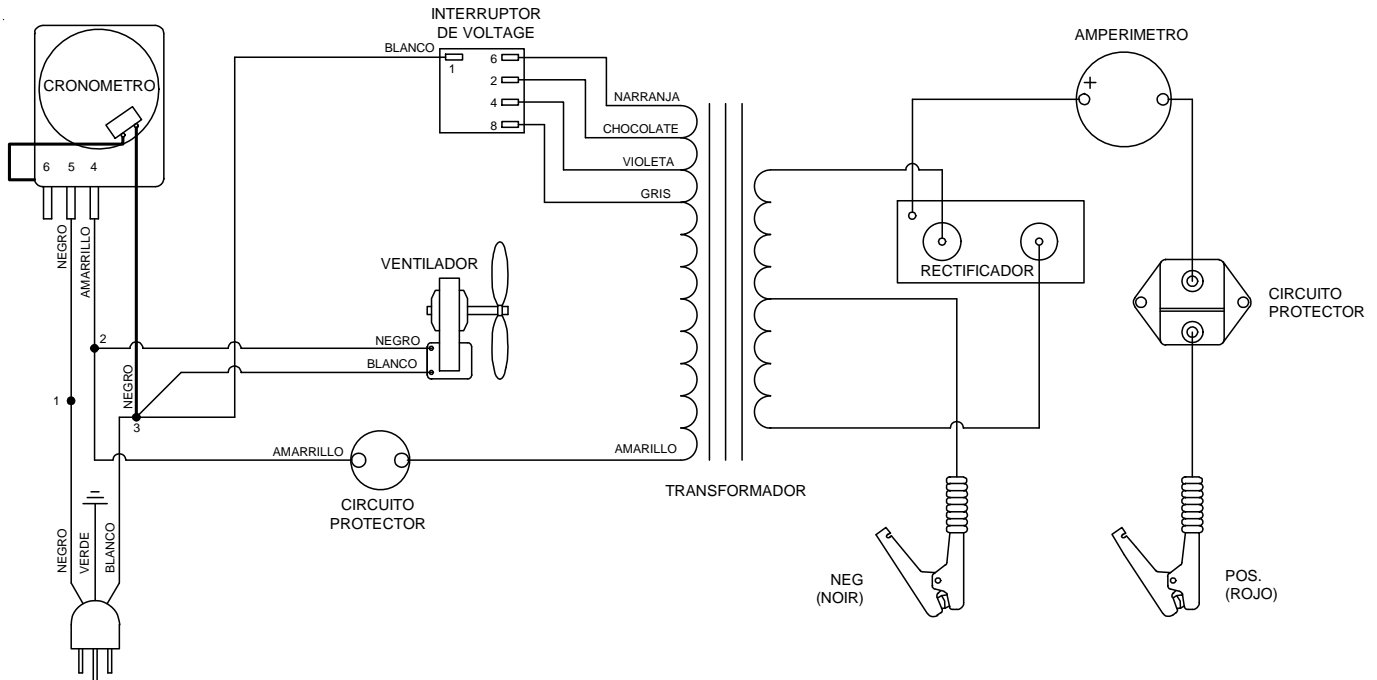
3. La batería mostrará poco o no amperaje al comienzo del proceso de carga.

AVISO: MIENTRAS EL SULFATO SE DESCOMPONE, LOS AMPERIOS PUEDEN AUMENTAR RÁPIDAMENTE. SE NECESITA ATENCIÓN CONSTANTE PARA PREVENIR EL SOBRECALIENTAMIENTO DE LA BATERÍA.

4. Baje la medida de carga a la medida más baja para los voltios de la batería que está cargando.
5. Cargue la batería a la medida más baja hasta que el electrolito llegue al estado de carga completa como está explicado en las tablas de sumanual de instrucciones. Esto puede llegar a durar dos o tres días.

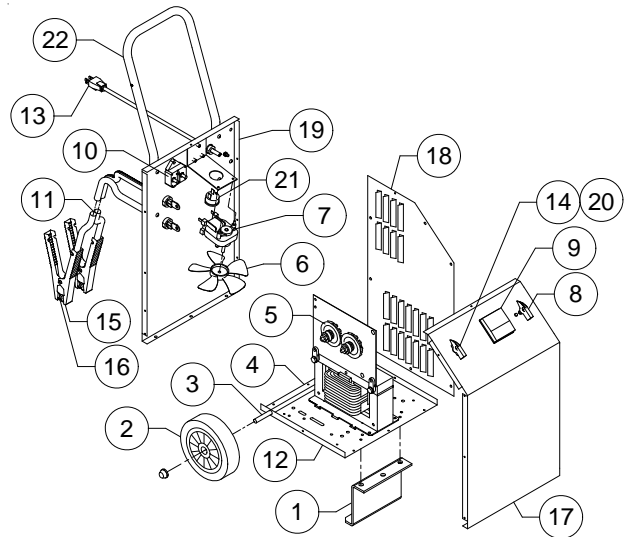
NOTA: ALGUNAS BATERÍAS PUEDE ESTAR TAN SULFATADAS QUE NO PUEDEN REPARARSE Y VOLVER A UNA CONDICIÓN DE OPERACIÓN NORMAL, SIN IMPORTAR LA MEDIDA DE CARGA O LONGITUD DE TIEMPO QUE SE APLIQUE. SI LA BATERÍA NO PUEDE SER REPARADA Y VOLVER A UNA CONDICIÓN DE CARGA COMPLETA MEDIANTE UNA CARGA LENTA, DEBE SER REEMPLAZADA.

DIAGRAMA DE CABLES



MODELO 6012 LISTA DE PARTES

| Artículo | Description | N Pieza |
|---------------|--|---------|
| 1 | Pata Frontal | 610825 |
| 2 | Ruedas con tuercas | 605672 |
| 3 | Barra con tuercas | 610052 |
| 4 | Transformador | 610819 |
| 5 | Rectificador | 610364 |
| 6 | Hélice del Ventilador | 610189 |
| 7 | Motor del Ventilador | 610190 |
| 8 | Cronómetro | 611245 |
| 9 | Medidor del Amperaje de Carga | 605204 |
| 10 | Circuito protector DC | 610536 |
| 11 | Set de cables DC | 610820 |
| 12 | Base | 610054 |
| 13 | Cable AC | 611248 |
| 14 | Interruptor con Pomo | 611187 |
| 15 | Pinzas (1 par incluyen mordazas) | 6202 |
| 16 | Set de mordazas (repara una pinza) | 610970 |
| 17 | Panel Frontal | 611251 |
| 18 | Panel Derecho | 611032 |
| 19 | Panel Tracero | 610977 |
| 20 | Pomo | 603147 |
| 21 | Circuito Protector | 603597 |
| 22 | Mango | 610753 |
| No se muestra | | |
| | Panel Superior | 611011 |
| | Panel Izquierdo | 611031 |



INSTRUCCIONES DE MANTENIMIENTO

Pinzas y mordazas deterioradas deben ser reemplazadas. Las partes deterioradas causan malas conexiones y pueden ser un peligro para su seguridad. Vea la lista de piezas para el número de kits de pinzas y mordazas. Cualquier mantenimiento y reparación de esta unidad que necesite el desmonte de la caja debe ser realizado sólo por un servicio cualificado. El montaje incorrecto puede llevar a un shock eléctrico cuando se use la unidad.

NOTES:

ASSOCIATED EQUIPMENT CORPORATION
5043 FARLIN AVE. ST. LOUIS MISSOURI 63115
Tel. (314) 385-5178 Fax. (314) 385-3254
www.associatedequip.com