



AA0201/AA0202

Illustrated Parts List



Model Series

AA0201

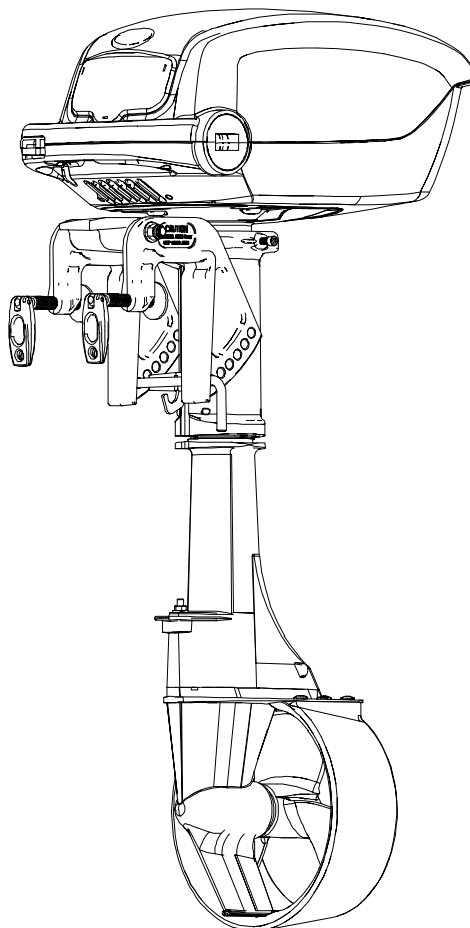
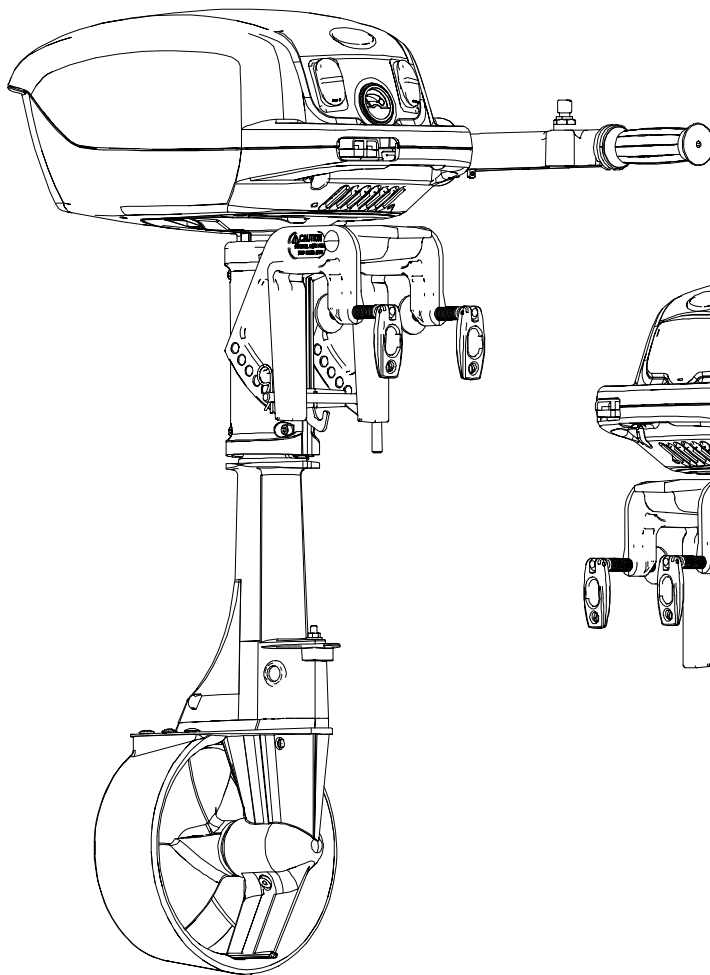
Tiller/Brush

TYPE NUMBER
0101.

AA0202

Remote/Brush

TYPE NUMBER
0101, 0150.



COPYRIGHT by BRIGGS & STRATTON CORPORATION
All rights reserved. No part of this material may be reproduced or transmitted,
in any form or by any means, electronic or mechanical, including photocopying,
recording or by any information storage and retrieval system, without permission
in writing from Briggs & Stratton Corporation.

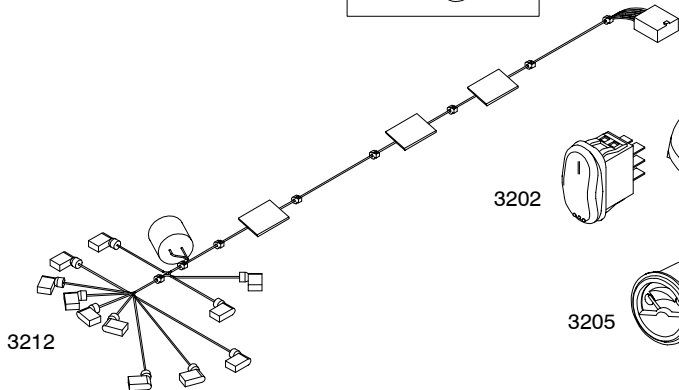
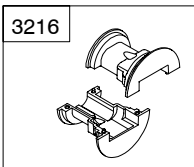
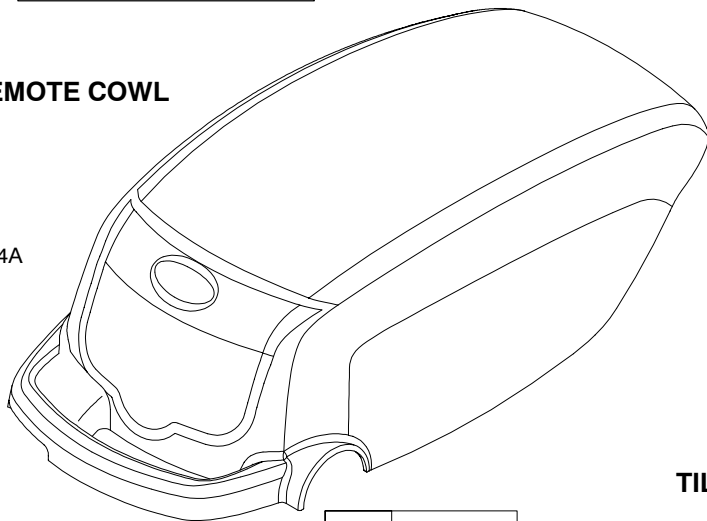
PRINTED IN U.S.A.

AA0201/AA0202

1058 OPERATOR'S MANUAL

REMOTE COWL

3004A

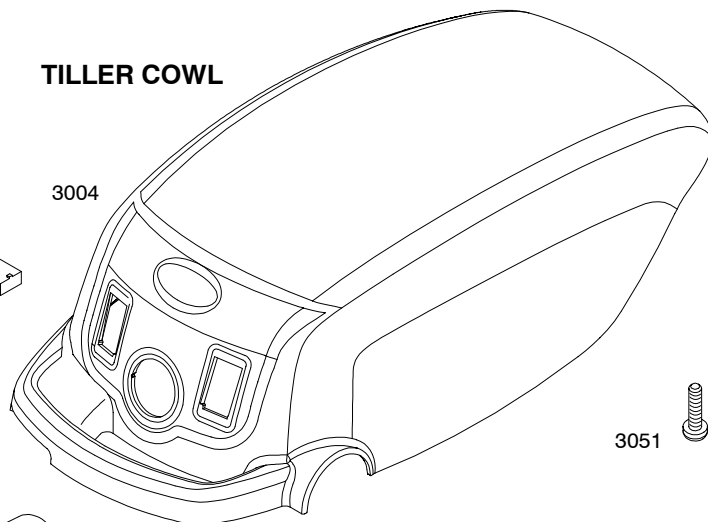


1019

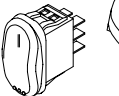


TILLER COWL

3004



3202



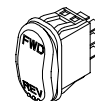
3205



3051A



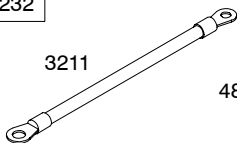
3203



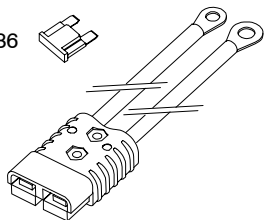
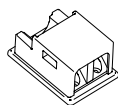
10 FOOT POWER HARNESS

3232

3211



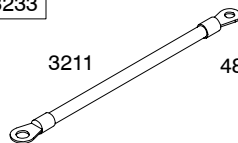
486



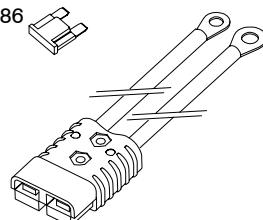
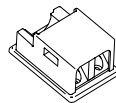
16 FOOT POWER HARNESS

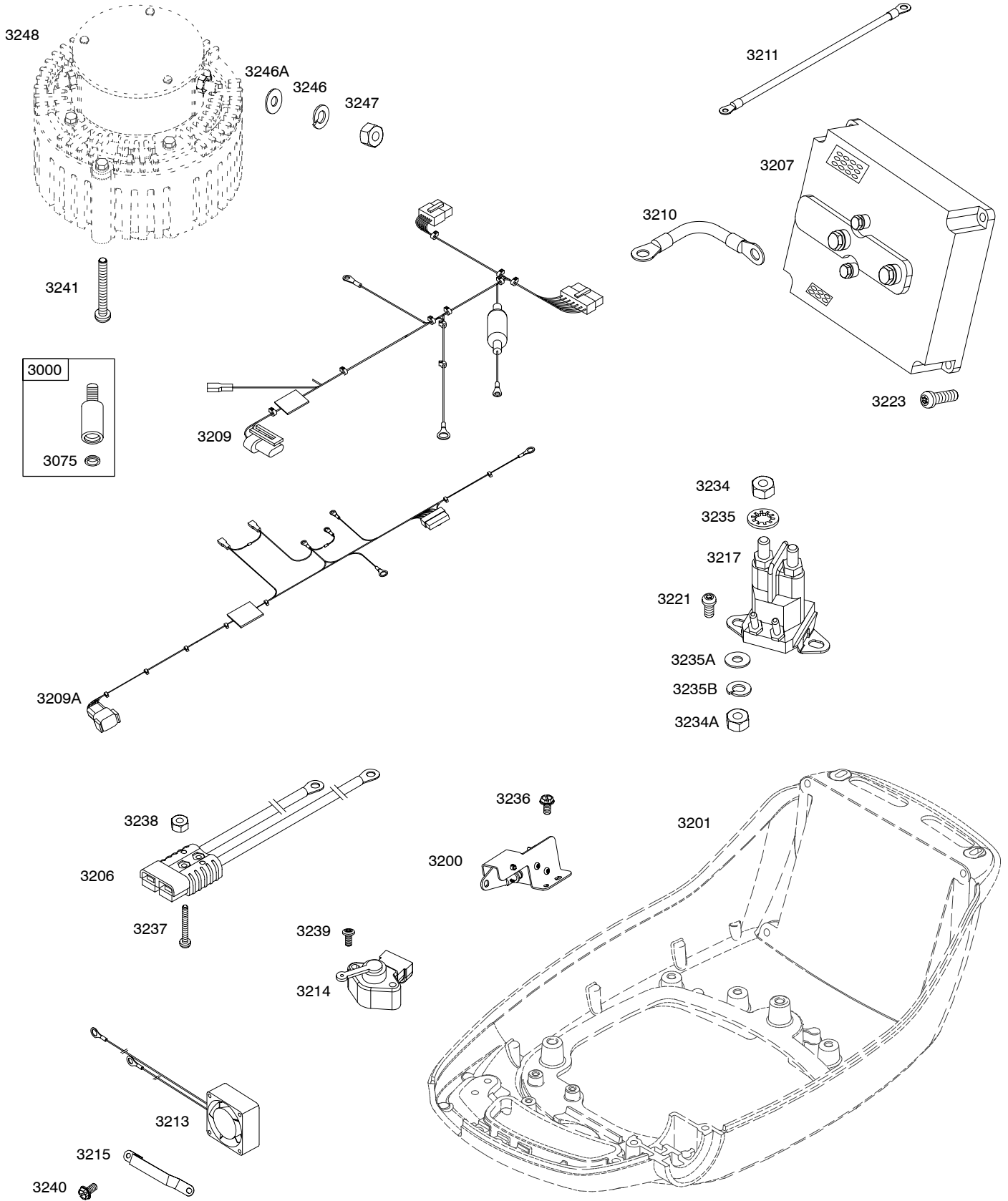
3233

3211

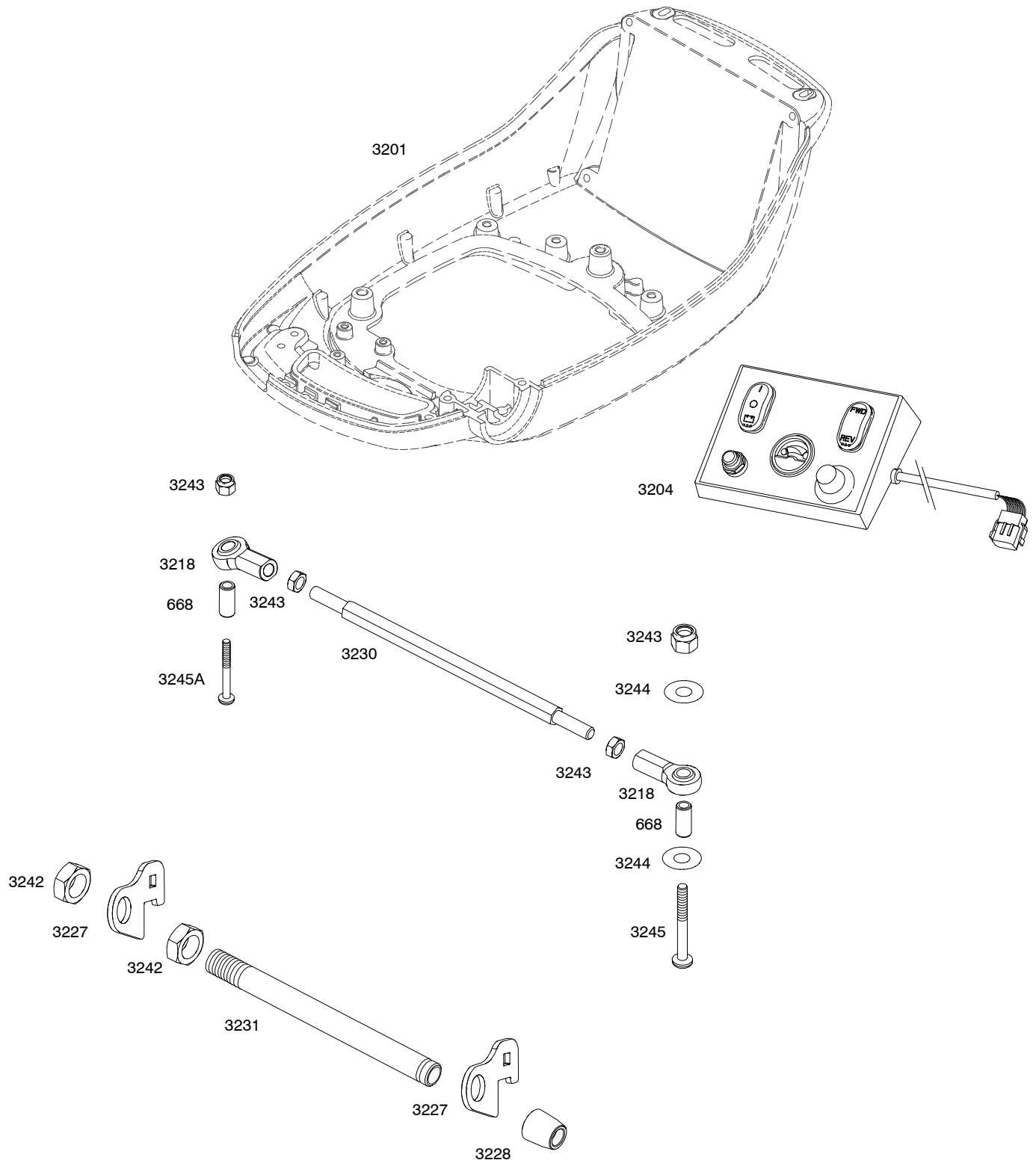


486

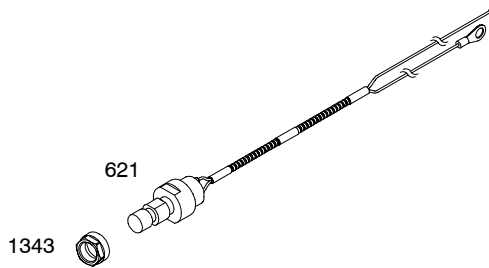
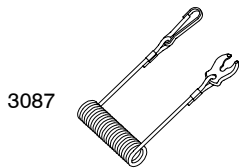
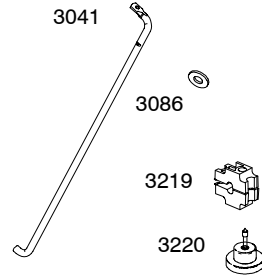
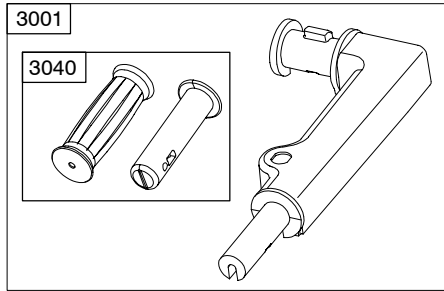
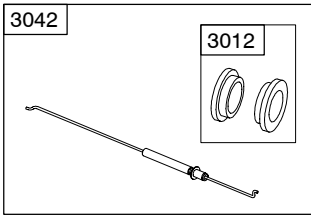
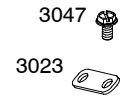
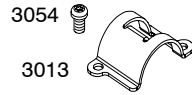
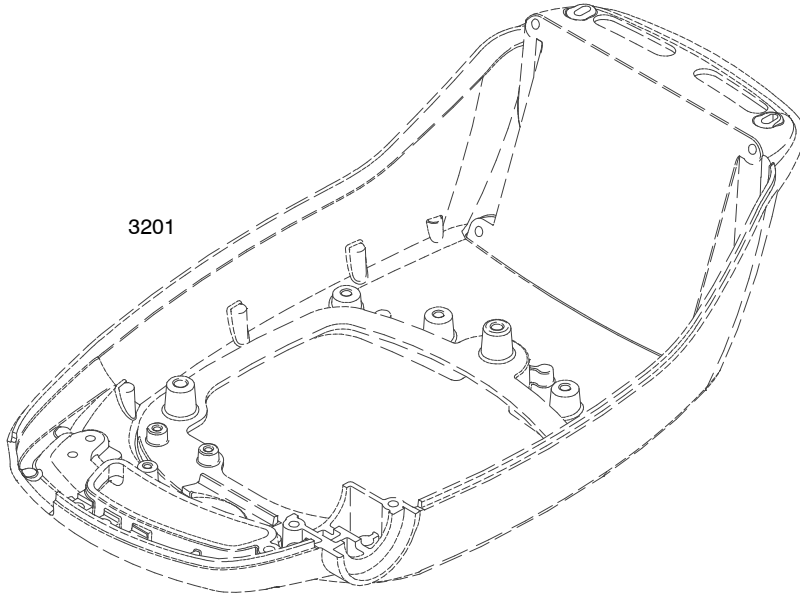




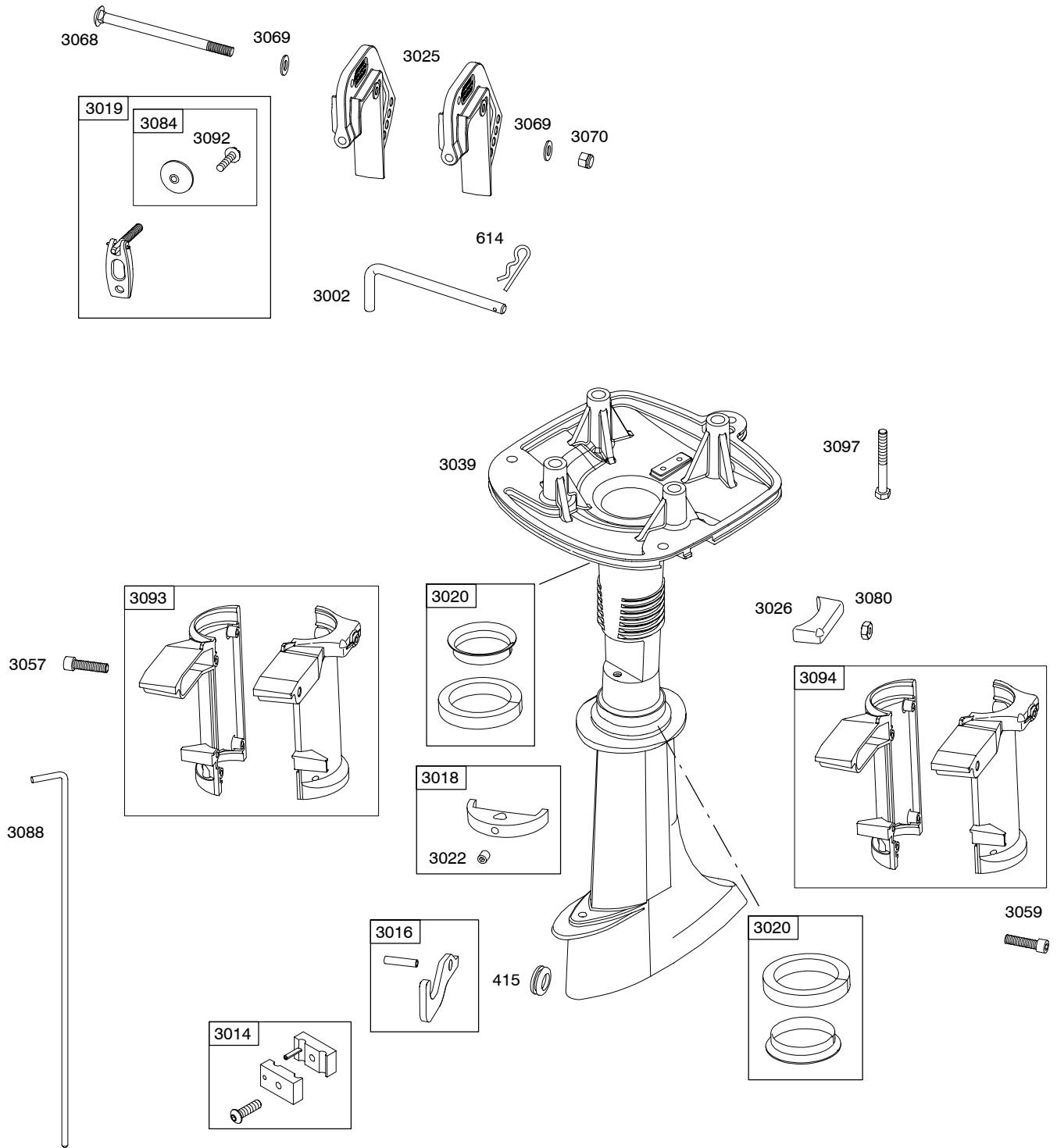
REMOTE STEERING

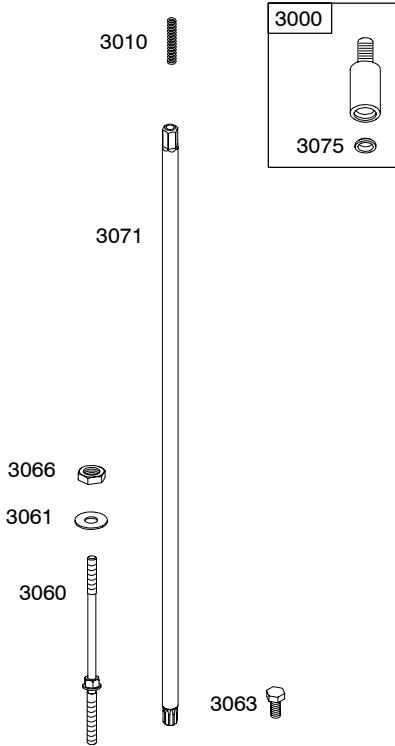


TILLER STEERING

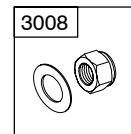
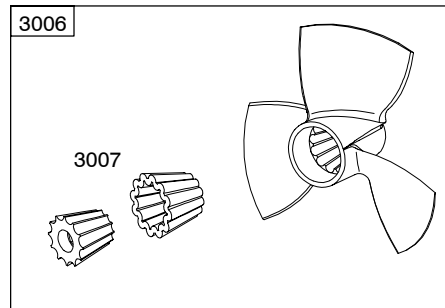
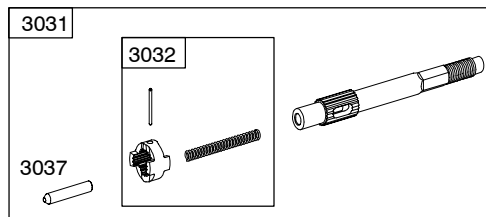
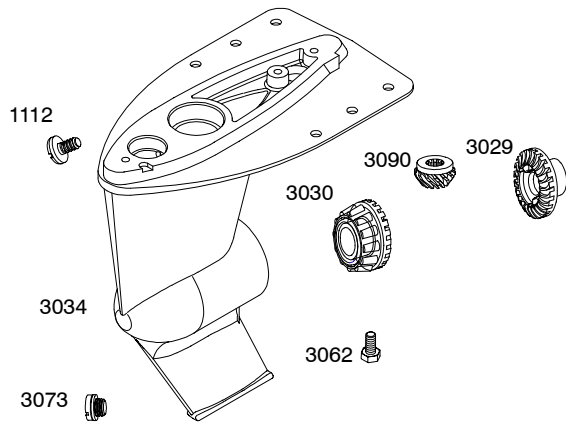
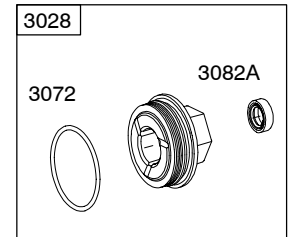
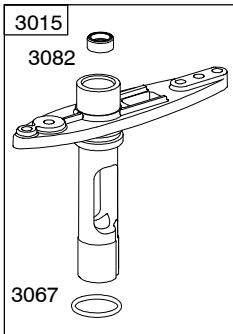
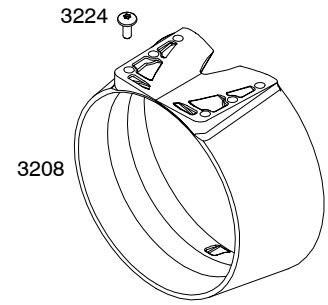
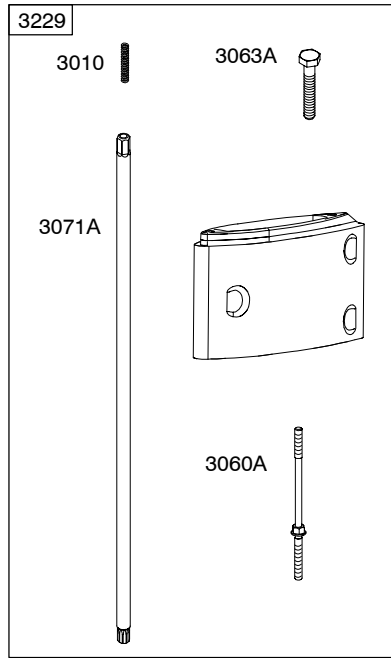


AA0201/AA0202





4 INCH EXTENSION-OPTION



AA0201/AA0202

REF. NO.	PART NO.	DESCRIPTION	REF. NO.	PART NO.	DESCRIPTION	REF. NO.	PART NO.	DESCRIPTION
415	861217	Plug (Drive Shaft Housing)	3037	861286	Follower-Cam Shift	3068	861248	Bolt (Transom Bracket)
486	861734	Fuse (80 Amp)	3039	861516	Housing-Drive Shaft			(5 1/2" Long)
614	861215	Pin-Cotter (Tilt Rod)	3040	861301	Handle-Throttle			----- Note -----
621	861607	Switch-Stop	3041	861299	Rod-Throttle			861752 Bolt
668	861737	Spacer (Remote Steering)	3042	861740	Cable-Throttle			(Transom Bracket)
1019	861722	Kit-Label	3047	861253	Screw (Retainer Plate)			(6" Long)
1058	MS5678	Operator's Manual			(Throttle Rod)	3069	861247	Washer (Transom Bracket)
1112	861281	Plug-Vent	3051	861598	Screw (Cowl)			(Remote Version)
1343	861531	Nut (Stop Switch)			(Rear)	3070	861255	Nut (Transom Bracket)
3000	861185	Adapter/Seal- Crankshaft	3051A	861601	Screw (Cowl)			(23" Long)
3001	861723	Tiller			(Front)	3071	861309	Shaft-Drive (23" Long)
3002	861216	Rod-Tilt	3054	861599	Screw (Housing Pivot)	3071A	861763	Shaft-Drive (27" Long)
3004	861513	Cowl (Tiller)	3057	861250	Screw (Tilt Bracket)			(Option)
3004A	861768	Cowl (Remote)	3059	861250	Screw (Friction Pad)	3072	861275	Seal-O Ring (Output Shaft Carrier)
3006	861511	Propeller	3060	861282	Stud (Gear Case)	3073	861280	Plug-Oil Drain/Fill
3007	861674	Coupling-Propeller			(3" Long)	3074	861771	Seal-O Ring (Cam Rod Seal)
3008	861225	Washer/Nut Set (Propeller)	3060A	861764	Stud (Gear Case)			Seal-Crankshaft Adapter
3010	861220	Spring-Drive Shaft			(7" Long)	3075	861268	Seal-Crankshaft Adapter
3012	861265	Isolator			(Option)	3080	861239	Nut (Friction Pad)
3013	861733	Pivot-Housing	3061	861240	Washer (Gear Case)	3082	861266	Seal-Shaft (Input Shaft Carrier)
3014	861451	Clamp-Shift Rod	3062	861241	Screw (Gear Case)	3082A	861266	Seal-Shaft (Output Shaft Carrier)
3015	861242	Carrier-Input Shaft			(Gear Case)	3084	861310	Clamp Washer/Screw Set
3016	861636	Hook-Reverse	3063	861241	Screw (Input Shaft Carrier)	3086	861240	Washer (Throttle Rod)
3018	861264	Hook-Actuator			(7/8" Long)	3087	861209	Lanyard
3019	861244	Clamp/Handle Kit	3063A	861765	Screw (Input Shaft Carrier)	3088	861512	Rod-Shift
3020	861249	Ring-Isolator			(4 7/8" Long)	3090	861320	Gear-Pinion Drive
3022	861263	Screw-Set			(Option)	3092	861253	Screw (Clamp Washer/Screw Set)
3023	861252	Plate-Retainer (Throttle Rod)	3066	861239	Nut (Gear Case)			Bracket-Starboard Tilt (Kit contains both Port and Starboard Bracket)
3025	861246	Bracket-Transom (Port or Starboard)	3067	861267	Seal-O Ring (Input Shaft Carrier)	3093	861568	Bracket-Port Tilt (Kit contains both Port and Starboard Bracket)
3026	861251	Pad-Friction						
3028	861274	Carrier-Output Shaft				3094	861568	Bracket-Port Tilt (Kit contains both Port and Starboard Bracket)
3029	861278	Gear-Reverse						
3030	861277	Gear-Forward				3097	861603	Screw (Drive Shaft Housing) (Motor Pan)
3031	861288	Shaft-Output						
3032	861285	Clutch/Pin Kit						
3034	861726	Case-Gear						

REF. NO.	PART NO.	DESCRIPTION	REF. NO.	PART NO.	DESCRIPTION	REF. NO.	PART NO.	DESCRIPTION
3200	861719	Activator-Reverse Hook	3223	861602	Screw (Controller)	3239	861743	Screw (Throttle Sensor)
3201		Pan-Motor (Non-Serviceable Part, Shown for Reference Only)	3224	861731	Screw (Nozzle Thrust)	3240	861253	Screw (Cooling Fan Bracket)
3202	861605	Switch-On/Off	3227	861736	Bracket-Steering Tube	3241	861600	Screw (Electric Motor)
3203	861606	Switch-Forward/Reverse	3228	861739	Seal-Steering Tube	3242	861755	Nut (Steering Tube)
3204	861704	Panel-Remote Control	3229	861741	Housing Extension-Drive Shaft (4" Long) (Option)	3243	861757	Nut (Ball Joint Rod) (Adjustment on Link Rod)
3205	861705	Gage-Battery Level	3230	861753	Rod-Link			----- Note -----
3206	861706	Harness-Power	3231	861754	Tube-Steering			861760 Nut (Ball Joint Rod)
3207	861707	Controller	3232	861761	Harness-Power Supply 10 Foot (10 Foot)	3244	861756	Washer (Ball Joint Rod)
3208	861708	Nozzle-Thrust	3233	861762	Harness-Power Supply 16 Foot (16 Foot)	3245	861759	Screw (Ball Joint Rod) (3" Long)
3209	861709	Harness-Wiring (Tiller)	3234	861747	Nut (Contactor) (High Voltage)	3245A	861758	Screw (Ball Joint Rod) (2" Long)
3209A	861714	Harness-Wiring (Remote)	3234A	861744	Nut (Contactor) (Low Voltage)	3246	861750	Washer (Electric Motor Terminals)
3210	861710	Cable-Controller	3235	861751	Washer (Contactor) (High Voltage)	3246A	861749	Washer (Electric Motor Terminals)
3211	861711	Cable-Motor (Black) (Electric Motor to Controller)	3235A	861745	Washer (Contactor) (Low Voltage)	3247	861748	Nut (Electric Motor Terminals)
		----- Note -----	3235B	861746	Washer (Contactor) (Low Voltage)	3248		Motor-Electric (Contact O.E.M. for Electric Motor Service)
		861713 Cable-Motor (Red) (Electric Motor to Controller)	3236	861253	Screw (Reverse Hook Activator)			
3212	861712	Harness-Cowl	3237	861601	Screw (Power Harness)			
3213	861715	Fan-Cooling	3238	861604	Nut (Power Harness)			
3214	861716	Sensor-Throttle						
3215	861717	Bracket-Cooling Fan						
3216	861720	Housing-Connector						
3217	861721	Contactor						
3218	861727	Rod-Ball Joint						
3219	861728	Clamp-Throttle						
3220	861730	Knob-Throttle Friction						
3221	861599	Screw (Contactor)						