

Parts Manual for

SNAPPER®

522 SINGLE STAGE SNOW THROWER SERIES 0

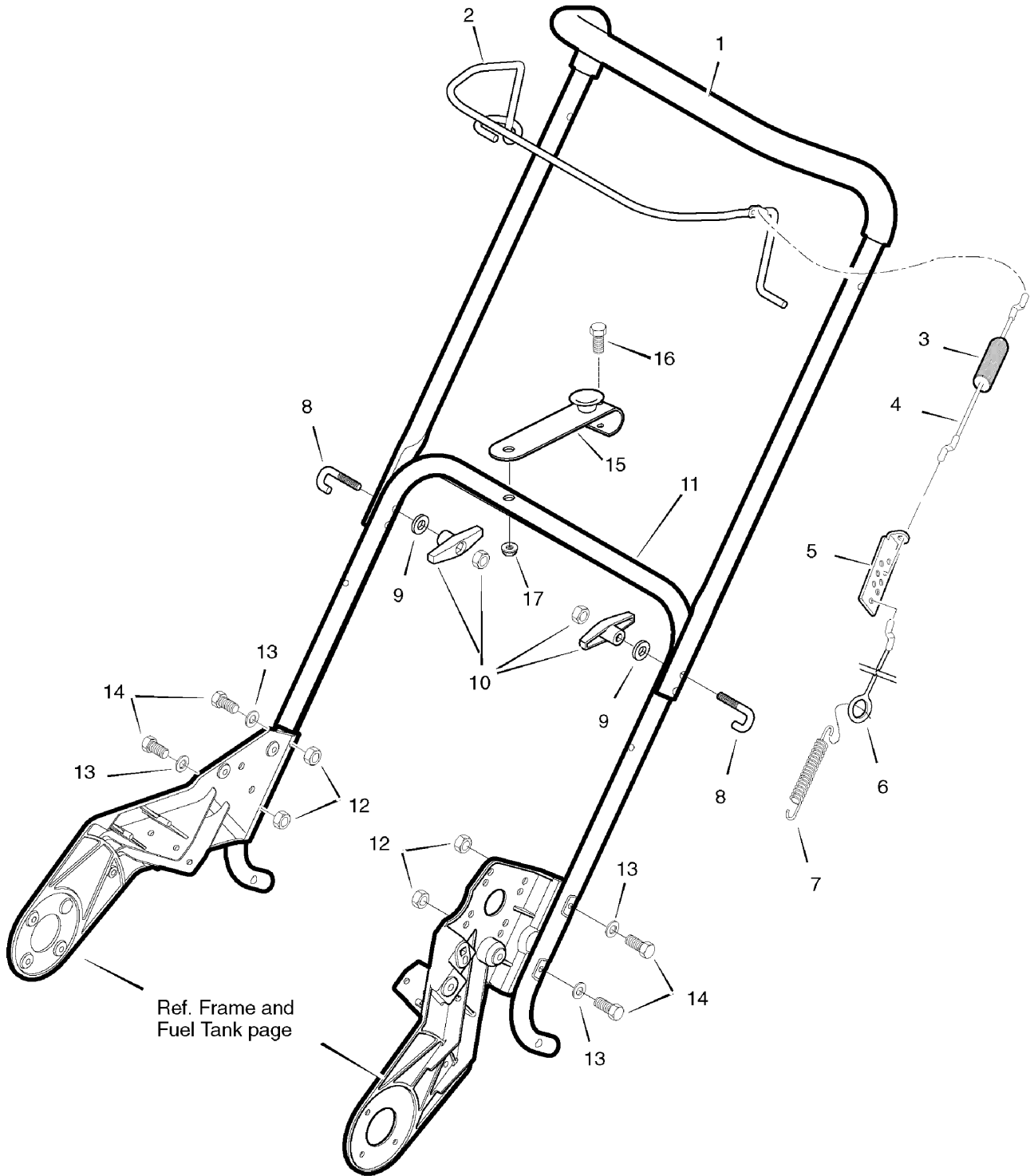


MODEL
ESS50220E
SS50220E

SNAPPER® McDonough, GA, 30253 U.S.A.

PAGE	GROUP
4	Handle Assembly Group
6	Body Covering Group
8	Auger and Housing Group
10	Chute System Group
12	Frame and Fuel Tank Group
14	Engine Drive System Group
18	Wheel Assembly Group
20	Electric Starter Group
22	Decals Group

Handle Assembly Group



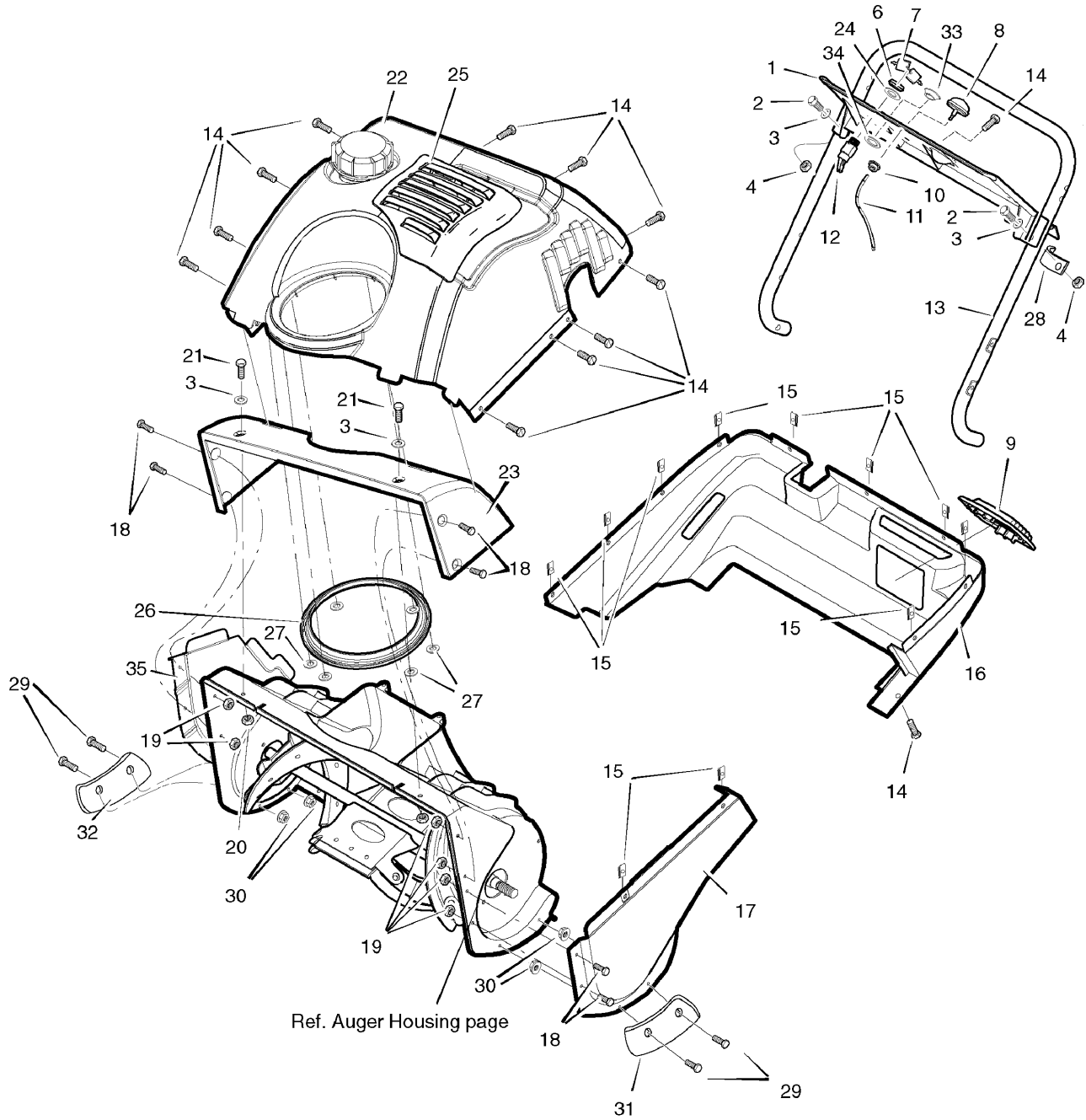
Ref. Frame and
Fuel Tank page

Handle Assembly Group

Item	Part No	Qty	Description	Note
1	722348		HANDLE & GRIP ASSEMBLY	
2	722313		CONTROL, Bail	
3	723154		BOOT, Clutch Spring	
4	722366		CABLE, Upper Control	
5	723259		BRACKET, Control Adjust	
6	723261		CABLE, Lower Control	
7	723263		SPRING, Extension 3/4 O.D. x .069	
8	722326		U-BOLT	
9	723239		WASHER, Form 11/32 ID 1.0	
10	727445		T-KNOB, 3.00 Plastic Black	
11	722312		HANDLE, Lower	
12	725429		NUT 1/4-20 Regular Hex Control Lock	
13	725330		WASHER FLAT 9/32 x 5/8 x .065	
14	723280		SCREW, 1/4-20 x 1.25	
15	1733377		BRACKET, Chute Handle Assembly	
16	1740344		BOLT, 1/4-20 x 1.50 Hex Head	
17	1740345E70		NUT, 1/4-20 Hex Head Nylock	

Footnotes:

Body Covering Group

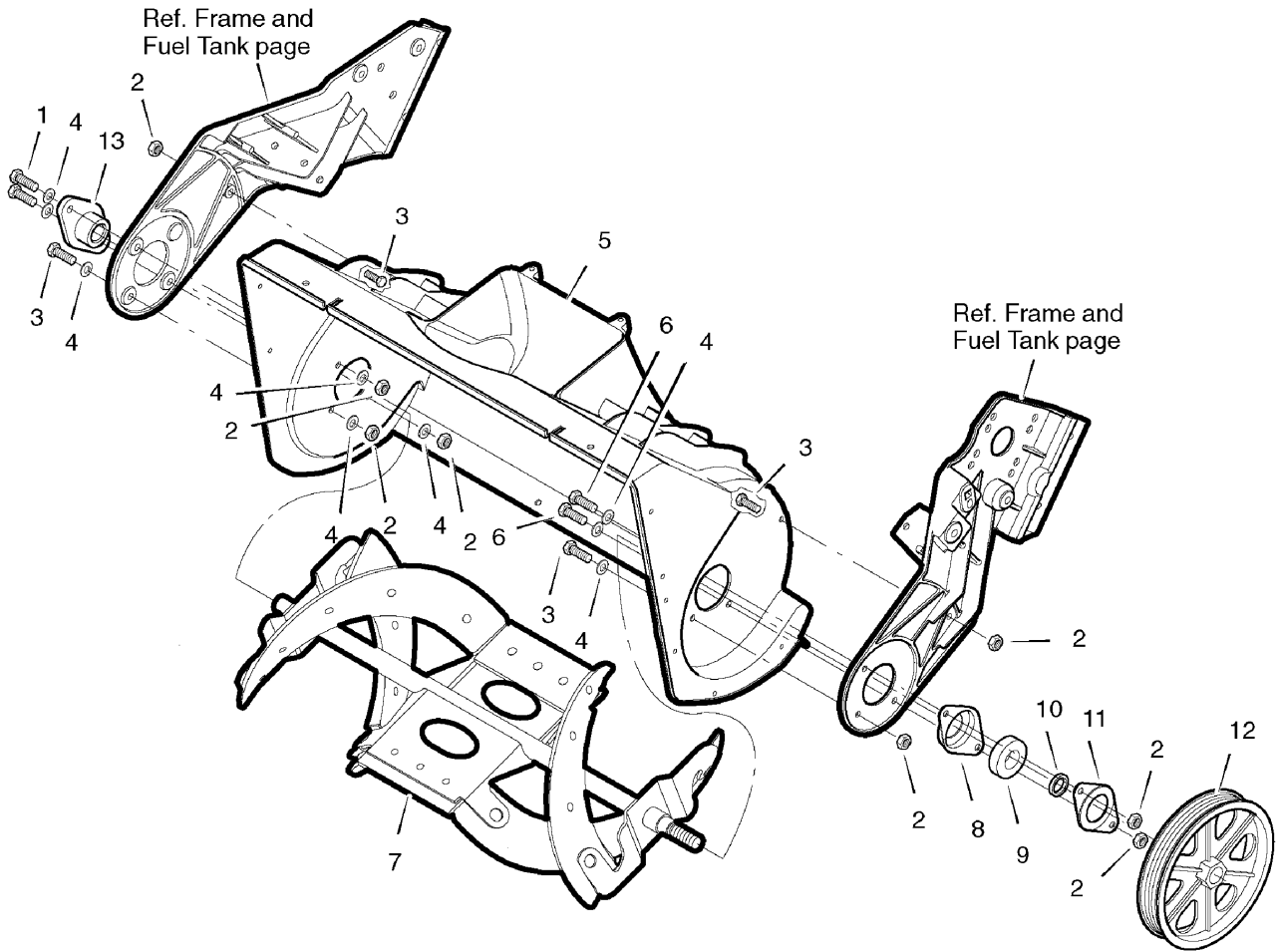


Body Covering Group

Item	Part No	Qty	Description	Note
1	1740006		PANEL, Control 22" SS DLR	
2	723280		SCREW 1/4-20 x 1.25	
3	725330		WASHER, Flat 9/32 x 5/8 x .065	
4	725429		NUT, 1/4-20	
6	722906		NUT, 5/8-32	
7	728074		KEYS & RING, Starter	
8	722259		BULB, Fuel Primer	
9	722327		PANEL, Access 22" SS DLR	
10	727479		NUT, Keps 1/4-20	
11	723672		HOSE, Primer 9.5"	
12	724504		SWITCH, Ignition	
13	722312		HANDLE, Lower	
14	723283		SCREW 1/4-14 x 3/4	
15	724571		J-NUT 1/4-10	
16	1740004		COVER, Bottom 22" SS DLR	
17	1740005		COVER, Belt 22" SS DLR	
18	721923		SCREW 10-24 x 1/2	
19	723243		LOCKNUT, Hex 10-24 Regular Center Lock	
20	722398		LOCKNUT, Hex 1/4-20	
21	1740383		SCREW 1/4-20 x 5/8	
22	1740351		COVER, Top 22" SS DLR	
23	1740007		COVER, Auger Top 22" SS DLR	
24	727970		WASHER, Interlock 41/64 x 1.1	
25	1740002		COVER, Access Oil	
26	1740020		GASKET, Chute Ring	
27	720384		NUT, PUSH	
28	729475		CLIP, Cable	
29	1740381		SCREW 10-32 x .75	
30	1740382		NUT 10-32 Nylock	
31	1740397		SHOE, Skid L.H	
32	1740398		SHOE Skid, R.H	
33	729580		ROPE GROMMET	
34	729667		ROPE GROMMET, Washer	
35	1740071		COVER, Auger R.H	

Footnotes:

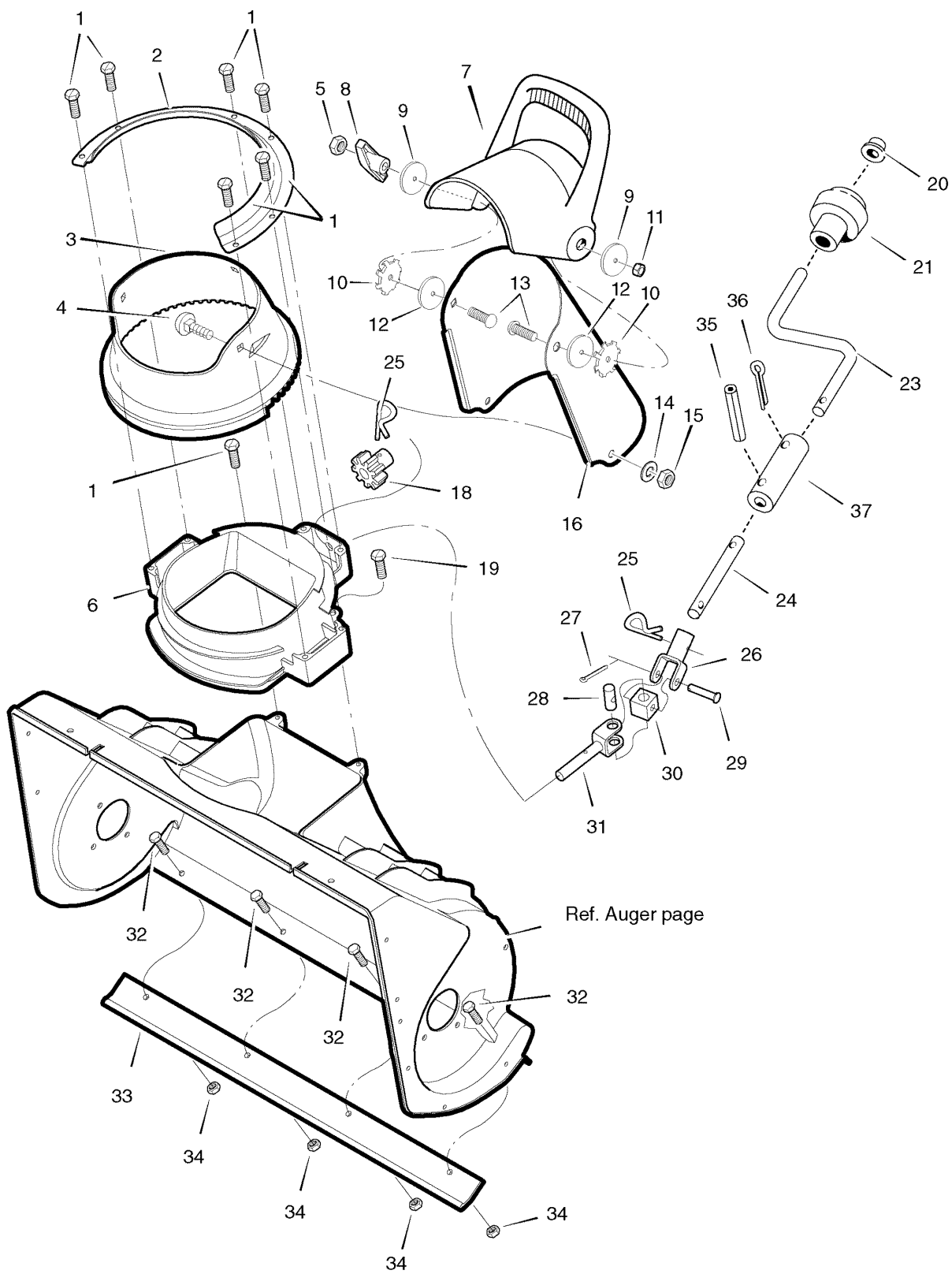
Auger and Housing Group



Auger and Housing Group

Item	Part No	Qty	Description	Note
1	725304		SCREW, 1/4-20 x 1.00	
2	725429		NUT, Hex 1/4-20	
3	723010		SCREW, 1/4-20 x 3/4	
4	725330		WASHER, Flat	
5	1740348		HOUSING ASSEMBLY, Auger	
6	728095		SCREW, 1/4-20 x 5/8	
7	1740380		AUGER, Assembly, 22"	
8	724638		RETAINER, Bearing	
9	724001		BEARING, Ball	
10	724570		SLEEVE, Spacer	
11	723659		PLATE, Bearing Retainer	
12	723622		PULLEY, Auger Drive V6	
13	724547		BEARING, Flange	

Footnotes:

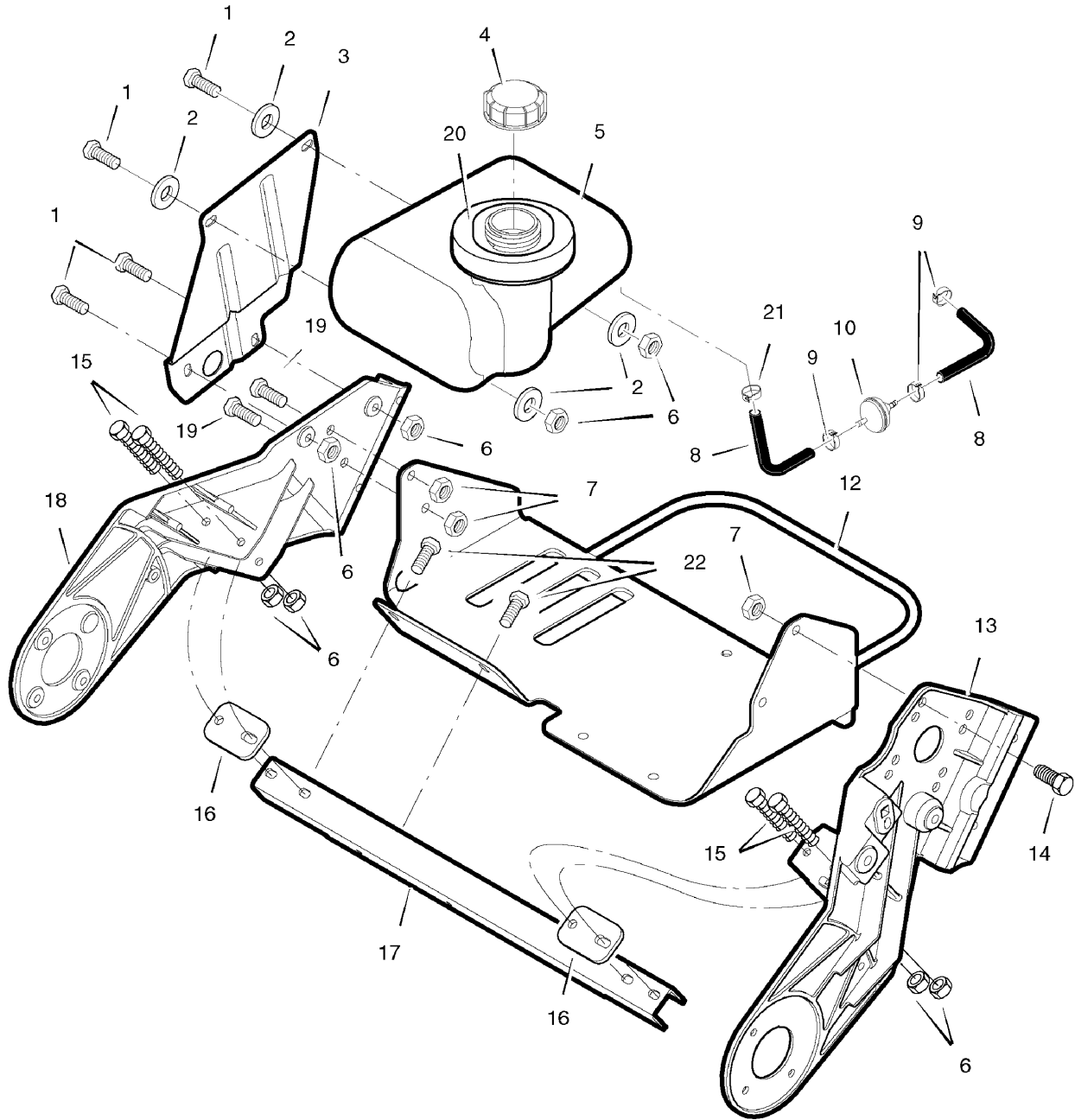


Chute System Group

Item	Part No	Qty	Description	Note
1	723283		SCREW 1/4-14	
2	727525		RETAINER, Chute Ring	
3	1740060		RING, Chute	
4	723873		BOLT, Carriage 5/16-18 x 3/4	
5	725320		NUT 5/16-18 Reghex	
6	722303		NECK, Chute	
7	1716631		CHUTE, 22" Upper	
8	727445		T-KNOB, 3.00 Plastic	
9	1920283		WASHER, Flat 1 - 1/2 O.D	
10	1716642		LOCKWASHER, Shakeproof	
11	725408		LOCKNUT, Hex 5/16-18	
12	1716624		WASHER Rubber 1-1/2 O.D	
13	1740384		BOLT, Upper Chute	
14	725332		WASHER, Flat 13/32 x 13/16	
15	725321		NUT, 5/16-18 Hex, Nylock	
16	1716612		CHUTE, Lower	
18	722073		GEAR, 9-Tooth	
19	723283		SCREW, 1/4-14 x .75	
20	725354		NUT, Push	
21	1714084		KNOB, Crank	
23	1733369		CRANK, Chute Rotation	
24	1720576		HANDLE, Chute Rotator Lower	
25	722139		PIN, Hair	
26	722076		YOKE ASSEMBLY, Adapter	
27	724605		PIN, Cotter	
28	724564		PIN, Universal Joint	
29	724579		PIN, Clevis	
30	724565		HOUSING, Universal	
31	722322		ROD, Lower Crank	
32	723010		SCREW 1/4-20 x 3/4	
33	722315		BLADE, Scraper	
34	722398		LOCKNUT, Hex 1/4-20	
35	1740347		PIN, Spring 5/32 x 1.00	
36	1740346		CLIP, Hairpin 3/32 x 1.625 Black	
37	1720577		CHUTE HANDLES, Spliced	

Footnotes:

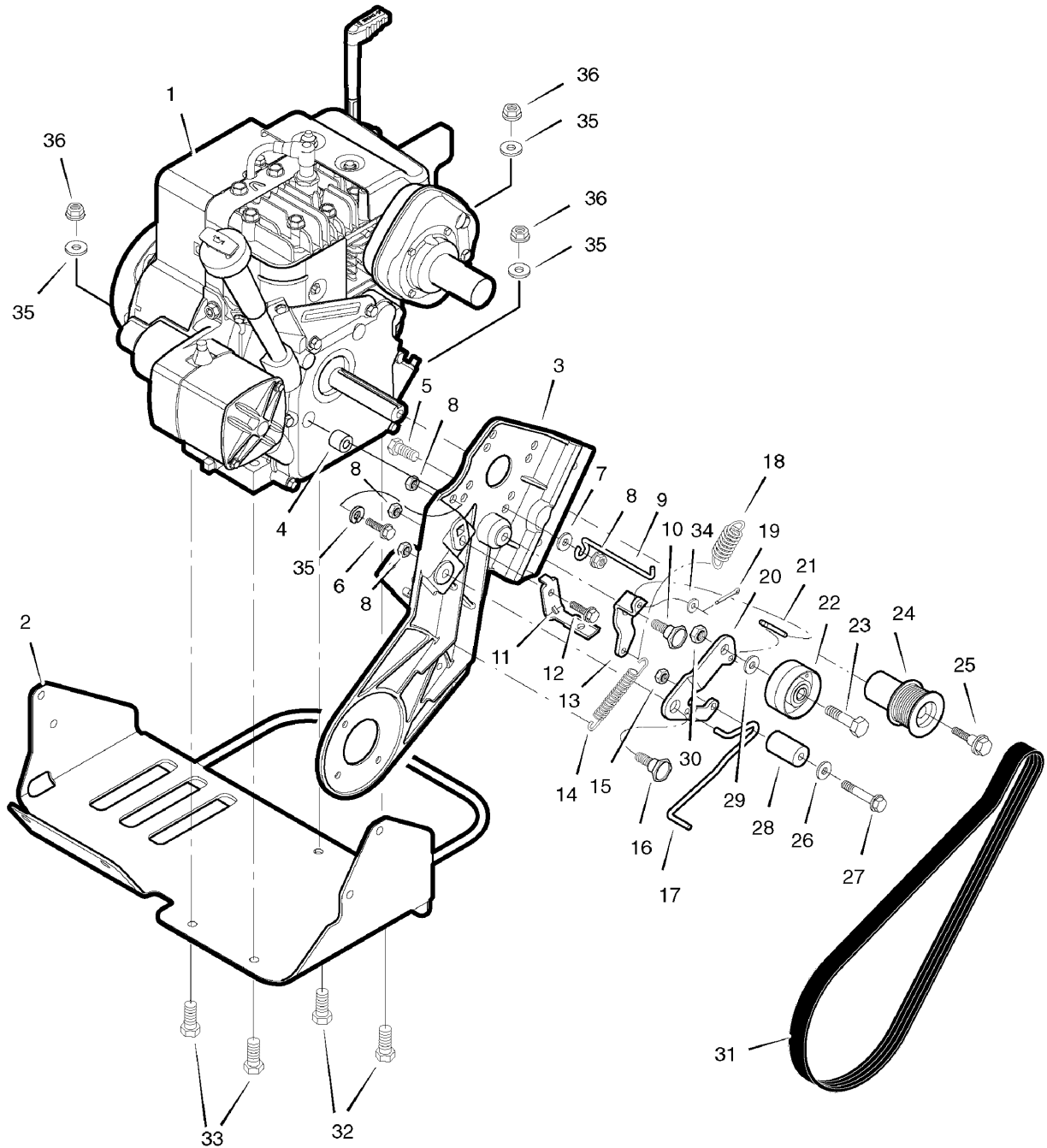
Frame and Fuel Tank Group



Frame and Fuel Tank Group

Item	Part No	Qty	Description	Note
1	723010		SCREW, 1/4-20 x 3/4	
2	725330		WASHER, Flat 9/32 x 5/8 x .065	
3	1740031E70		BRACKET, Fuel Tank	
4	1715917		CAP, Fuel Tank	
5	1716634		TANK, Fuel	
6	725429		NUT, Hex 1/4-20	
7	725408		NUT, Hex 5/16-18	
8	722361		TUBING, Fuel Line	
9	723462		CLAMP, Fuel Line	
10	722264		FILTER, Fuel Line	
12	722304		CRADLE ASSEMBLY, Engine	
13	727410		FRAME, L.H.	
14	727291		SCREW, 5/16-18 x .63	
15	727940		SCREW, 1/4-20 x 2.00	
16	727517		PLATE, Mounting Support	
17	722305		SUPPORT, Frame	
18	722320		FRAME, R.H.	
19	722633		SCREW, 5/16-18 x 3/4	
20	1740032		RING, Foam	
21	724068		CLAMP, Fuel Line, Screw Type	
22	723210		SCREW, 1/4-20 x 5/8	

Footnotes:

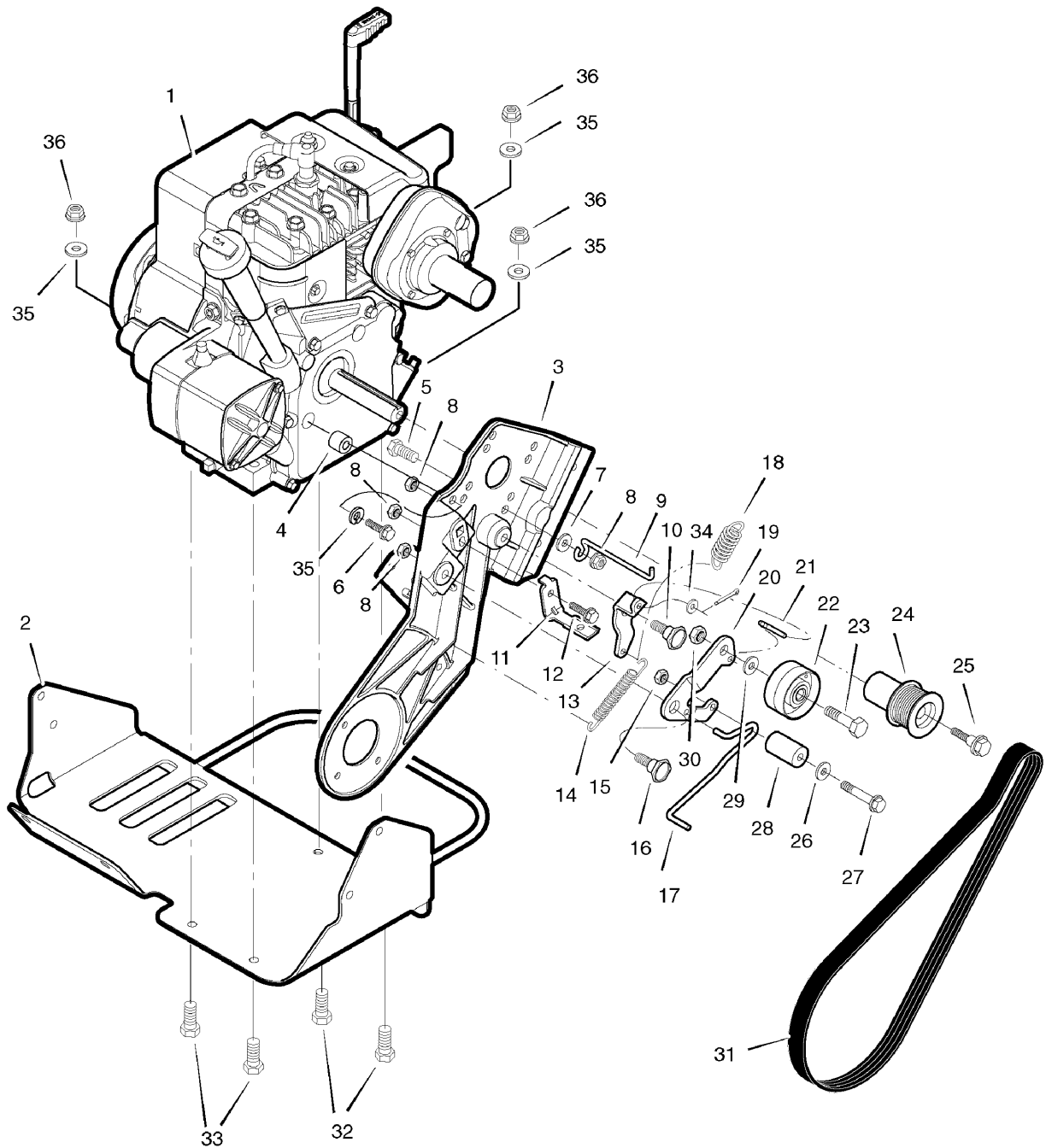


Engine Drive System Group

Item	Part No	Qty	Description	Note
1			* ENGINE, 5HP 4CY B&S Model 09A413-0202-E1	
1			* ENGINE, 5HP 4CY B&S Model 09A413-0203-E1	
2	722304		CRADLE ASSEMBLY, Engine	
3	727410		FRAME, L.H.	
4	722360		ANTIVIBRATION MOUNT, Engine	
5	727947		BOLT, Hex 5/16-18 x 0865	
6	725244		BOLT, Hex 5/16-24 x 1.125	
7	725331		WASHER, Flat	
8	725408		LOCKNUT, Hex Center 5/16-18	
9	723651		GUIDE, Belt	
10	723625		BOLT, Hex Head Shank 5/16-1/2 x 11/64	
11	723648		PAD, Brake	
12	728095		SCREW, 1/4-20 x 5/8	
13	727078		IDLER, Arm Pivot	
14	723264		SPRING, Extension 3/8 O.D. X .039W	
15	725429		NUT, Hex 1/4-20	
16	723625		BOLT	
17	722046		WIRE, Brake	
18	723263		SPRING	
19	727500		PIN, Cotter	
20	723409		ARM, Idler	
21	723256		ROD, Clutch Linkage	
22	724085		PULLEY, Idler	
23	723012		SCREW, 3/8-16 x 1.50	
24	722331		PULLEY, Model 9 Engine	
25	722330		BOLT, Engine Pulley	
26	725330		WASHER, Flat	
27	727940		SCREW, 1/4-20 x 2.00	
28	729335		PINCH ROLLER	
29	722944		WASHER, Flat	
30	724840		NUT, Hex	
31	727984		BELT, Drive	
32	720025		BOLT, Hex 5/16-18	
33	724071		SCREW 3/8-16 x 1.00	
34	723979		WASHER, Flat	
35	725326		LOCKWASHER, Split	
36	725320		NUT, 5/16-18	

Footnotes:

Note: * For information on Replacement Parts contact the engine manufacturer.

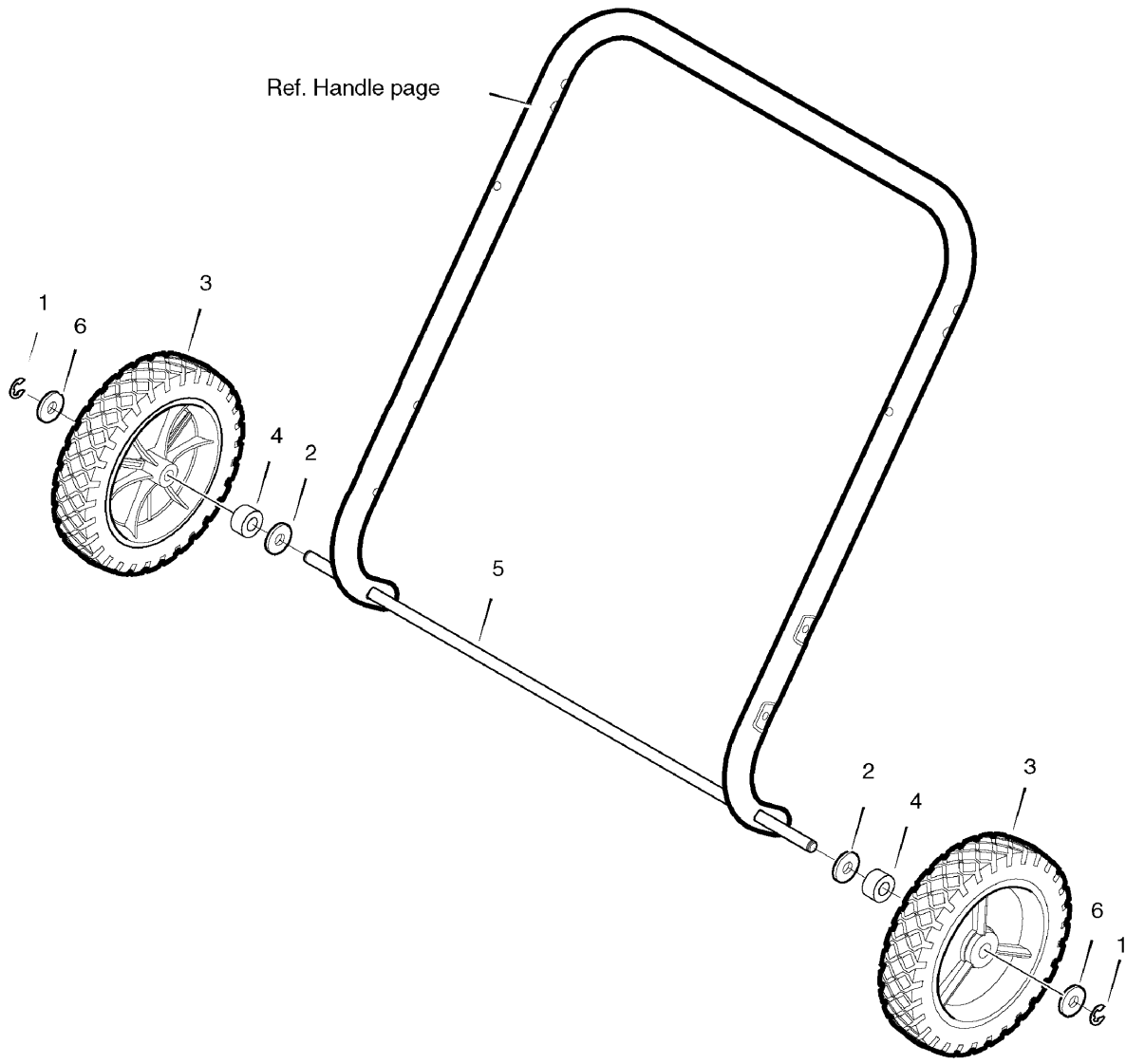


Engine Drive System Group

Item	Part No	Qty	Description	Note
	1740284		INSTRUCTION BOOK (Not shown)	

Footnotes:

Note: * For information on Replacement Parts contact the engine manufacturer.

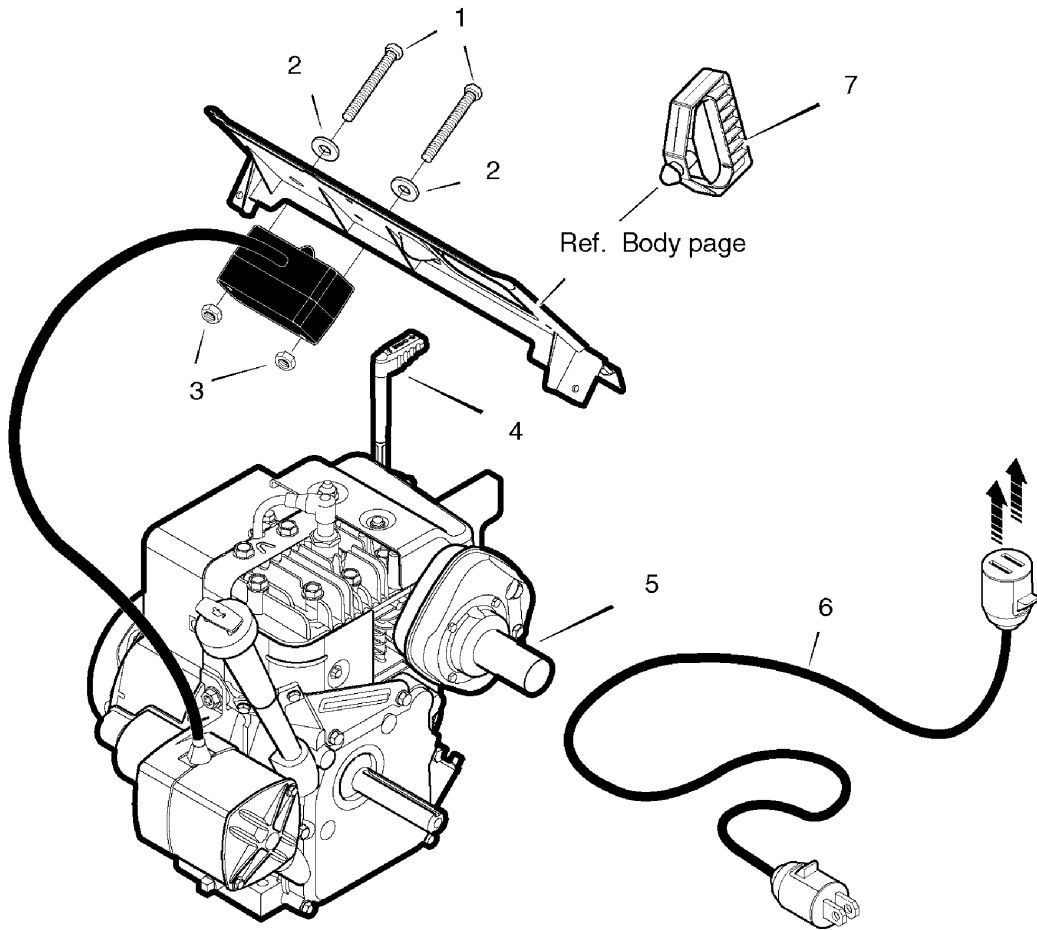


Wheel Assembly Group

Item	Part No	Qty	Description	Note
1	724559		RETAINER, E-Ring	
2	725332		WASHER, Flat 13/32 x 13/16	
3	725603		WHEEL & TIRE 7" x 1.50"	
4	723192		SPACER, Sleeve 13/32 x 5/8	
5	722328		AXLE, Single Stage, 22"	
6	724750		WASHER, Flat - 25/64 x 1.00 x 1/8	

Footnotes:

Electric Starter Group

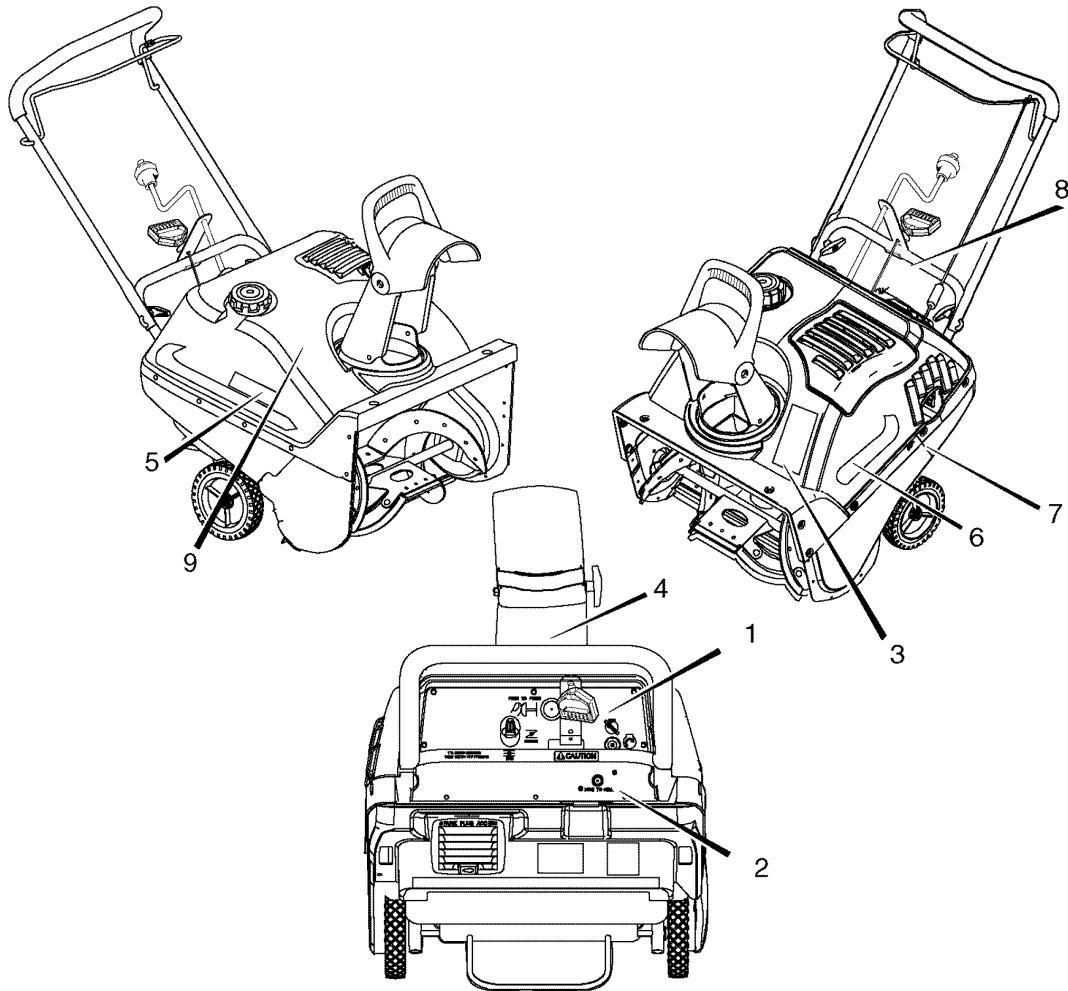


Electric Starter Group

Item	Part No	Qty	Description	Note
1	723237		SCREW, No. 8-32 x 3.00	
2	723979		WASHER, FLAT No. 8	
3	722892		NUT, Keps No. 8	
4	729548		* LEVER, Choke	
5-1	727913		* MUFFLER	
5-2	727914		* GASKET, Muffler	
5-3	727915		* BOLT, Muffler	
5-4	725326		WASHER, Split Lock	
5-5	725320		NUT, Hex 5/16-18	
5-6	720025		BOLT, Hex 5/16-18	
6	724865		CORD, Electric 110V	
6	728168		CORD, Electric 220V	
7	727917		GRIP, Mitten	

Footnotes:

Note: * For information on Replacement Parts contact the engine manufacturer.



Decals Group

Item	Part No	Qty	Description	Note
1	1740033		DECAL, Control Panel English 22"	
2	724265		DECAL, Electric Start	
3	725257		DECAL, Danger Auger	
4	724267		DECAL, Danger Chute	
5	1740367		DECAL, Snapper ST0522 R.H.	
6	1740368		DECAL, Snapper ST0522 L.H.	
7	727742		DECAL, Hot Muffler	
8	727378		DECAL, Auger Control	
9	729555		DECAL, Briggs & Stratton	(Located on Engine)
			MANUAL, Instruction Book (Not shown)	
			MANUAL, Parts List (Not shown)	

Footnotes:

Parts Manual for

SNAPPER®

**522 SINGLE STAGE SNOW THROWER
SERIES 0**

IT IS THE POLICY OF BRIGGS & STRATTON CORP. TO IMPROVE ITS PRODUCTS WHENEVER IT IS POSSIBLE AND PRACTICAL TO DO SO. WE RESERVE THE RIGHT TO MAKE CHANGES OR ADD IMPROVEMENTS AT ANY TIME WITHOUT INCURRING ANY OBLIGATION TO MAKE SUCH CHANGES ON PRODUCTS MANUFACTURED

SNAPPER® McDonough, GA, 30253 U.S.A.